



# PERFORMER® DELUXE

## Charcoal Grill Owner's Guide

Brikettgrillin Omistajan Opas • Guide d'utilisation du barbecue aux briquettes de charbon de bois • Manuale d'uso per barbecue a carbone • Brukerhåndbok for brikettgrill • Brugervejledning for kulgrill • Guía del propietario de la barbacoa de carbón • Bruksanvisning för brikettgrill • Bedienungsanleitung für Holzkohlegrills • Handleiding barbecue op briketten • Manual do Utilizador do Grelhador a Carvão • Instrukcja obsługi grilla na węgiel drzewny • Руководство пользователя гриля Weber на древесном угле

### Assembly - Pg 5 • Montage - Pg 5 • Montageanleitung - Pg 5

FI - p. 29	FR - p. 45	IT - p. 61	NO - p. 77	DA - p. 93	ES - p. 109
SV - p. 125	DE - p. 141	NL - p. 157	PT - p. 173	PL - p. 189	RU - p. 205

#54785



**YOU MUST READ THIS OWNER'S GUIDE BEFORE OPERATING YOUR GAS BARBECUE**

#### **⚠ DANGER**

If you smell gas:

1. Shut off gas to the appliance.
2. Extinguish any open flames.
3. Open lid.
4. If odour continues, keep away from the appliance and immediately call your gas supplier or your fire service.

Leaking gas may cause a fire or explosion, which can cause serious bodily injury or death, or damage to property.

#### **⚠ WARNING:**

1. Do not store or use petrol or other flammable vapours and liquids in the vicinity of this or any other appliance.
2. A gas supply cylinder not connected for use should not be stored in the vicinity of this or any other appliance.

**⚠ WARNING:** Follow all leak-check procedures carefully in this manual prior to barbecue operation. Do this even if barbecue was dealer-assembled.

**⚠ WARNING:** Do not try to light the Weber® gas barbecue without first reading the "Lighting" instructions in this manual.

**INFORMATION FOR THE INSTALLER:**  
This manual must remain with the owner, who should keep it for future use.

**ONLY TO BE USED OUTDOORS.**

**FAILURE TO HEED THESE DANGER, WARNING AND CAUTION STATEMENTS MAY CAUSE SERIOUS BODILY INJURY OR DEATH, OR A FIRE OR EXPLOSION RESULTING IN DAMAGE TO PROPERTY.**

- ⚠ SAFETY SYMBOLS ( ⚠ ) will alert you to important SAFETY information.
- ⚠ Signal words DANGER, WARNING, or CAUTION will be used with the SAFETY SYMBOL.
- ⚠ DANGER will identify the most serious hazard.
- ⚠ Please read all safety information contained in this Owner's Guide before operating this barbecue.

#### ⚠ DANGERS

- ⚠ Failure to follow the Dangers, Warnings and Cautions contained in this Owner's Manual may result in serious bodily injury or death, or in a fire or an explosion causing damage to property.
- ⚠ Do not use indoors! This barbecue is designed for outdoor use only. If used indoors, toxic fumes will accumulate and cause serious bodily injury or death.
- ⚠ Only use this barbecue outdoors in a well-ventilated area. Do not use in a garage, building, breezeway or any other enclosed area.
- ⚠ Do not use this barbecue under any overhead combustible structure.
- ⚠ Improper assembly may be dangerous. Please follow the assembly instructions in this manual. Do not use barbecue unless all parts are in place. Make sure either the ash catcher is properly attached to the legs underneath the bowl of the barbecue, or the high-capacity ash catcher is in place, before lighting the grill.
- ⚠ Do not add charcoal starter fluid or charcoal impregnated with charcoal lighter fluid to hot or warm charcoal. Replace cap on starter fluid after use, and place a safe distance away from the barbecue.
- ⚠ Do not use petrol, liquid fire starter or alcohol on the charcoal at any time. Do not use any form of self-lighting charcoal at any time.
- ⚠ You should exercise reasonable care when operating your barbecue. It will be hot during cooking and should never be left unattended during use.
- ⚠ Do not leave infants, children or pets unattended near a hot barbecue.
- ⚠ Do not attempt to move a hot barbecue.
- ⚠ Do not use this barbecue within five feet of any combustible material. Combustible materials include, but are not limited to wood or treated wooden decking, patios and porches.
- ⚠ Combustible materials should never be within 24 inches of the top, bottom, back or sides of the barbecue.
- ⚠ Keep the cooking area clear of flammable vapour and liquids, such as petrol, alcohol, etc., and combustible material.
- ⚠ Do not remove ashes until all charcoal is completely burned out and are fully extinguished and grill is cool.
- ⚠ Always put charcoal in Char-Baskets™ or on top of the lower (charcoal) grate. Do not put charcoal directly in the bottom of the bowl.
- ⚠ Do not wear clothing with loose flowing sleeves while lighting or using the barbecue.
- ⚠ Never lean over the barbecue when lighting the gas burner.
- ⚠ Do not use the barbecue in high winds.
- ⚠ Do not operate the barbecue if a gas leak is present.
- ⚠ Do not use a flame to check for gas leaks.
- ⚠ Should the burner go out at any time during operation, turn tank valve off. Remove lid and wait five minutes before attempting to relight, using the lighting instructions outlined in this manual.
- ⚠ Do not attempt to disconnect the gas regulator from the tank or any gas fitting while the barbecue is in use.
- ⚠ Use only the LP gas regulator that is supplied with your barbecue.

#### ⚠ WARNINGS

- ⚠ Follow regulator connection instructions for your type of gas grill.
- ⚠ Do not store a spare or disconnected LP disposable cartridge under or near this barbecue.
- ⚠ Keep the barbecue on a secure, level surface at all times, clear of combustible materials.
- ⚠ Do not put a barbecue cover or anything flammable on or in the storage area under the barbecue.
- ⚠ Always remove the lid before lighting the gas burner, either manually or with the igniter. Lid must remain OFF until charcoal is fully ignited.
- ⚠ Never touch the cooking or charcoal grates, ashes, charcoal or the barbecue to see if they are hot.
- ⚠ Do not use lava or char rocks in this barbecue.
- ⚠ Do not use water to control flare-ups or to extinguish charcoal, as it may damage the porcelain finish. Slightly close bottom air vents (dampers) and place lid on bowl.
- ⚠ Extinguish coals when finished cooking. Close all vents (dampers) after putting lid on bowl.
- ⚠ Barbecue mitts should always be worn while cooking, adjusting air vents (dampers), adding charcoal and handling the thermometer or lid.
- ⚠ Use proper barbecue tools, with long, heat-resistant handles.
- ⚠ Some models may include the Tuck-Away™ lid holder feature. The Tuck-Away™ lid holder is used to store the lid while checking on or turning your food. Do not use the Tuck-Away™ lid holder as a handle to lift or move the grill. Do not place a hot lid on carpeting or grass. Do not hang the lid on the bowl handle.
- ⚠ Never dump hot coals where they might be stepped on or be a fire hazard. Never dump ashes or coals before they are fully extinguished. Do not store barbecue until ashes and coals are fully extinguished.

## ⚠ WARNINGS (cont'd.)

- ⚠ Handle and store hot electric starters carefully.
- ⚠ Keep electrical wires and power cables away from the hot surfaces of the barbecue and away from high-traffic areas.
- ⚠ After a period of storage and/or non-use, check for gas leaks and burner obstructions before using. See instructions in this manual for correct procedures.
- ⚠ The conversion or attempted use of natural gas in this barbecue is dangerous and will void your warranty.
- ⚠ A dented or rusty LP disposable cartridge may be hazardous and should be checked by your liquid propane supplier. Do not use an LP disposable cartridge with a damaged valve.
- ⚠ Although your LP disposable cartridge may appear to be empty, it may still contain gas. The LP disposable cartridge should be transported and stored accordingly.
- ⚠ Combustion by-products produced when using this product contain chemicals known to the State of California to cause cancer, birth defects or other reproductive harm.
- ⚠ If you see, smell or hear gas escaping from the LP disposable cartridge:
  1. Get away from the LP disposable cartridge.
  2. Do not attempt to correct the problem yourself.
  3. Call your fire department.

## ⚠ CAUTIONS

- ⚠ Lining the bowl with aluminium foil will obstruct the air flow. Instead, use a drip pan to catch drippings from meat when cooking using the indirect method.
- ⚠ Using sharp objects to clean the cooking grate or remove ashes will damage the finish.
- ⚠ Using abrasive cleaners on the cooking grates or the barbecue itself will damage the finish.
- ⚠ The barbecue should be thoroughly cleaned on a regular basis.

# WARRANTY

Weber-Stephen Products LLC (Weber) hereby warrants to the ORIGINAL PURCHASER of this Weber® gas grill that it will be free of defects in material and workmanship from the date of purchase as follows:

<b>Cooking / Charcoal grates</b>	<b>2 years</b>
<b>Aluminized Steel One-Touch® Cleaning System</b>	<b>5 years</b>
<b>Stainless Steel One-Touch® Cleaning System</b>	<b>10 years</b>
<b>Bowl and lid against rust / burn-through</b>	<b>10 years</b>
<b>Nylon handles</b>	<b>10 years</b>
<b>Thermoplastic/Thermoset Parts(Performer®)</b>	<b>10 years</b>
<b>All remaining parts</b>	<b>excluding fading 2 years</b>

when assembled and operated in accordance with the printed instructions accompanying it. Weber may require reasonable proof of your date of purchase. THEREFORE, YOU SHOULD RETAIN YOUR SALES RECEIPT OR INVOICE.

This Limited Warranty shall be limited to the repair or replacement of parts that prove defective under normal use and service and which on examination shall indicate, to Weber's satisfaction, they are defective. Before returning any parts, contact the Customer Service Representative in your area using the contact information on our website. If Weber confirms the defect and approves the claim, Weber will elect to replace such parts without charge. If you are required to return defective parts, transportation charges must be prepaid. Weber will return parts to the purchaser, freight or postage prepaid.

This Limited Warranty does not cover any failures or operating difficulties due to accident, abuse, misuse, alteration, misapplication, vandalism, improper installation or improper maintenance or service, or failure to perform normal and routine maintenance, including but not limited to damage caused by insects within the burner tubes, as set out in this owner's manual.

Deterioration or damage due to severe weather conditions such as hail, hurricanes, earthquakes or tornadoes, discoloration due to exposure to chemicals either directly or in the atmosphere, is not covered by this Limited Warranty.

There are no other express warrants except as set forth herein and any applicable implied warranties of merchantability and fitness are limited in duration to the period of coverage of this express written Limited Warranty. Some regions do not allow limitation on how long an implied warranty lasts, so this limitation may not apply to you.

Weber is not liable for any special, indirect or consequential damages. Some regions do not allow the exclusion or limitation of incidental or consequential damages, so this limitation or exclusion may not apply to you.

Weber does not authorize any person or company to assume for it any other obligation or liability in connection with the sale, installation, use, removal, return, or replacement of its equipment; and no such representations are binding on Weber.

This Warranty applies only to products sold at retail.

**Visit [www.weber.com](http://www.weber.com)®, select your country of origin, and register your grill today.**

## REPLACEMENT HOSE, REGULATOR AND VALVE ASSEMBLY

⚠ **IMPORTANT NOTICE:** We recommend that you replace the gas hose assembly on your Weber gas barbecue every 5 years. Some countries may have requirements that the gas hose be replaced within less than 5 years, in which case that country's requirement would take precedence.

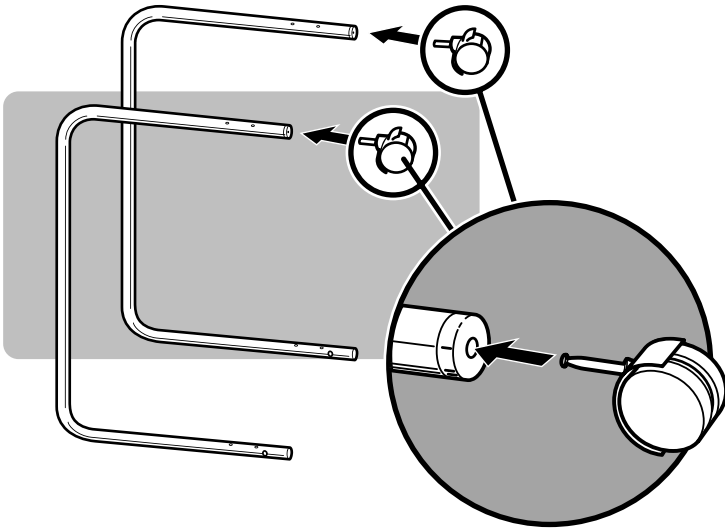
For replacement hose, regulator, and valve assemblies, contact the Customer Service Representative in your area using the contact information on our web site. Log on to [www.weber.com](http://www.weber.com)®.

COUNTRY		GAS TYPE & PRESSURE
Denmark, Sweden, Norway, Finland, England, Netherlands, United Kingdom, France, Spain, Portugal, Belgium, Ireland, Greece, Luxembourg, Italy, Germany, Austria		L <sub>3B/RP</sub> - 29mbar
CONSUMPTION DATA		
Lighting Burner. Max		
Propane/ butane mix	kW(Hs)	gm(Hs)
	2.6	192

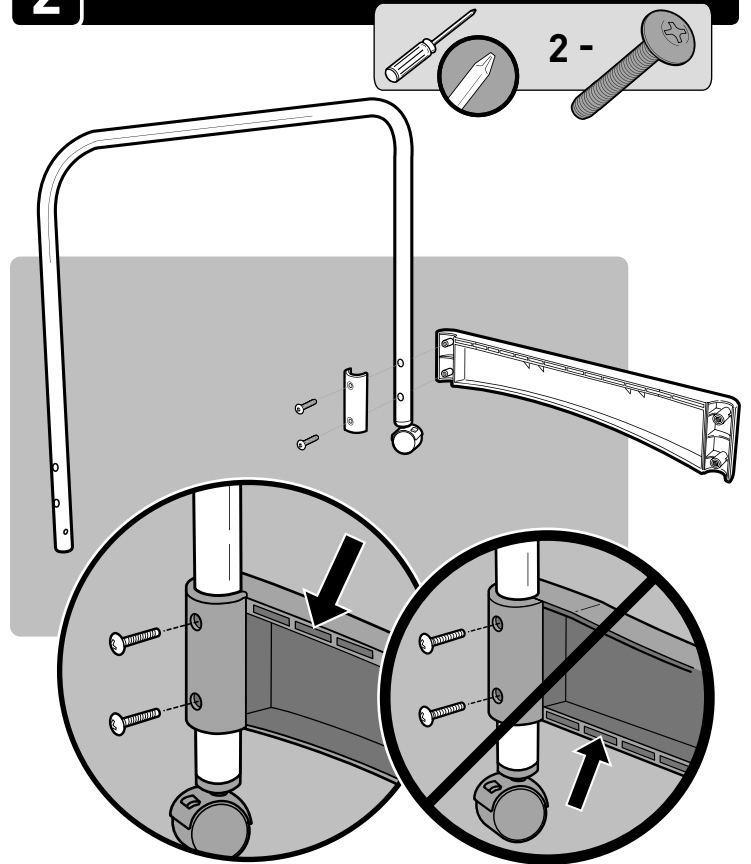


# ASSEMBLY

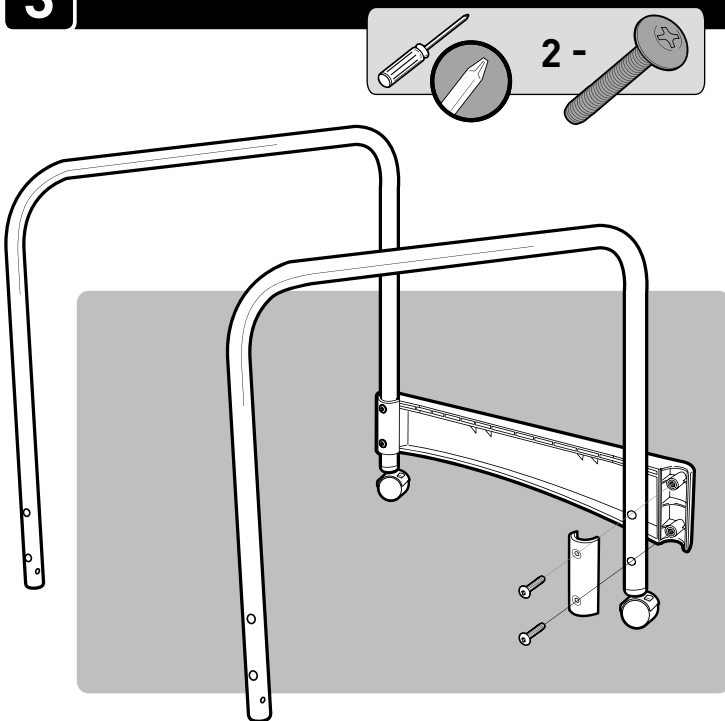
1



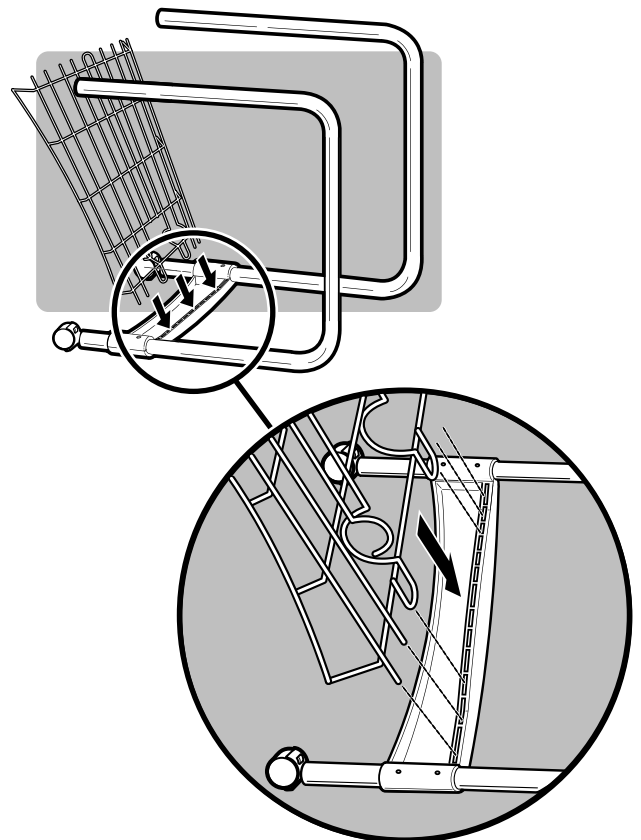
2



3

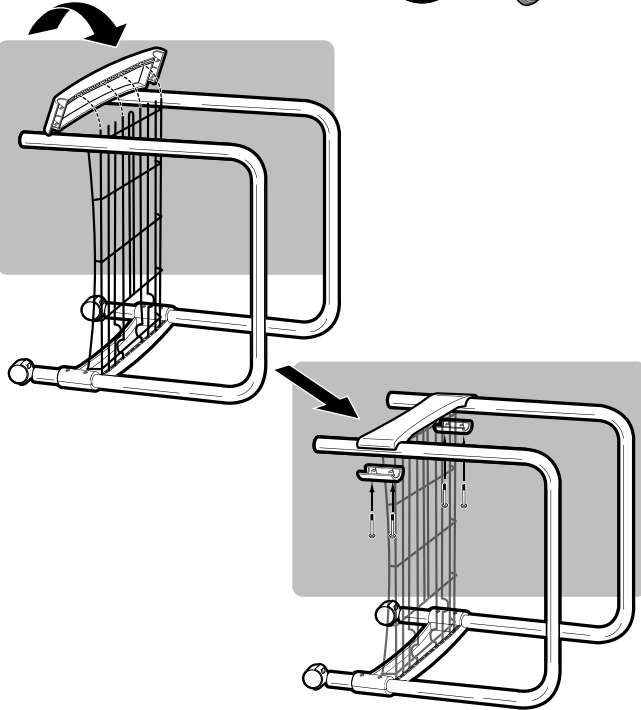
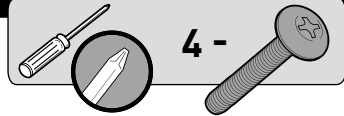


4

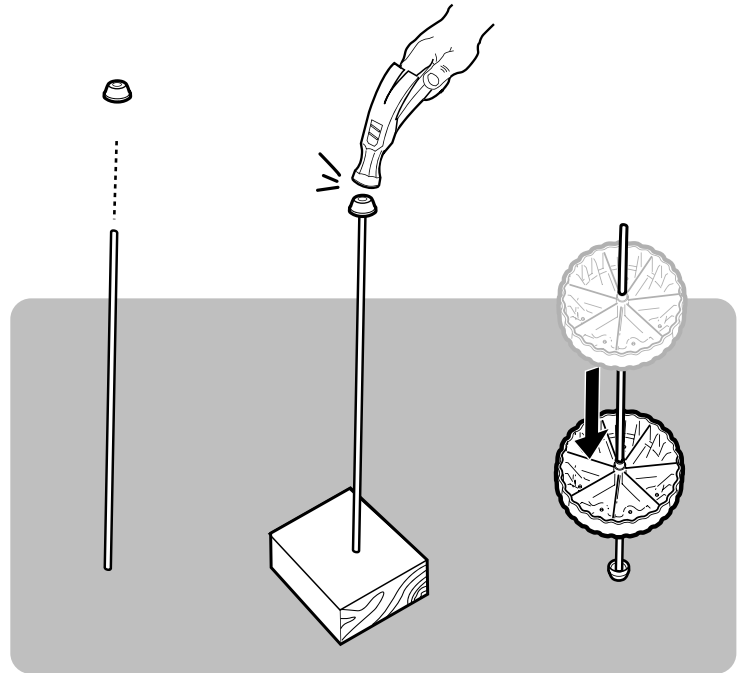
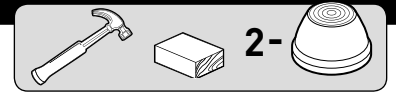


# ASSEMBLY

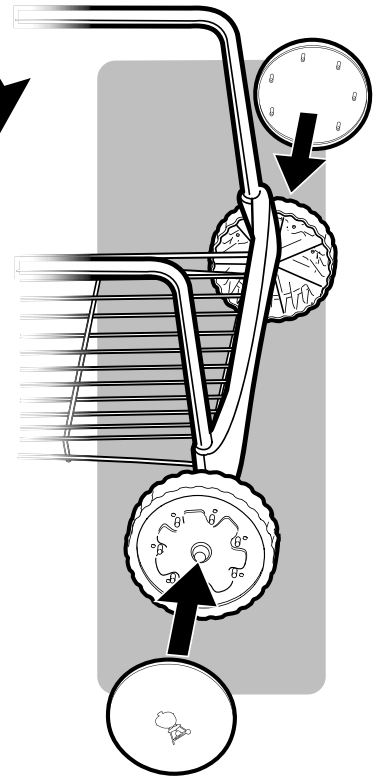
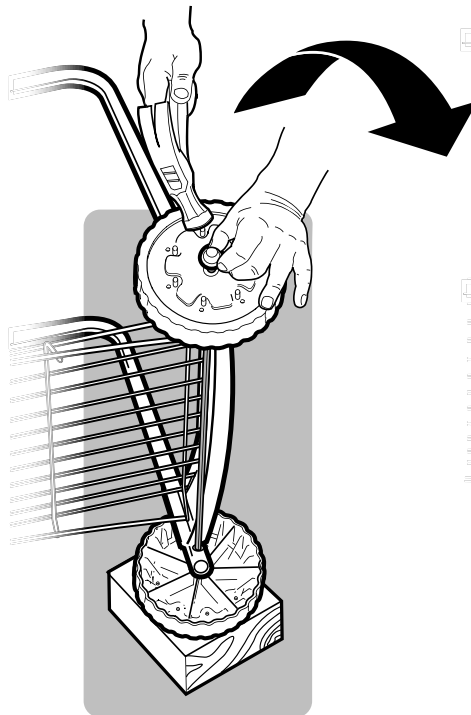
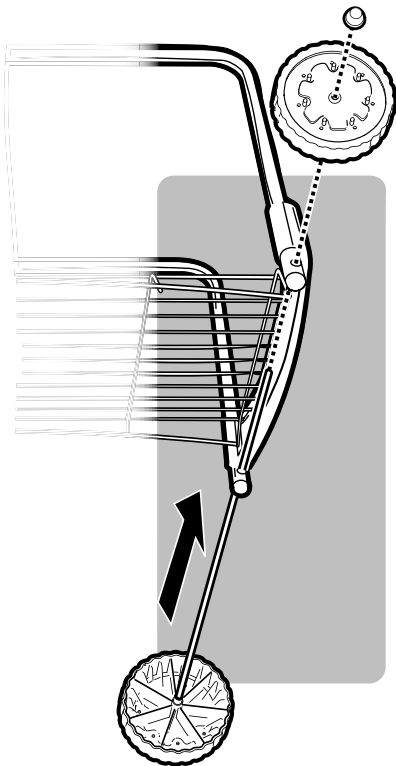
5

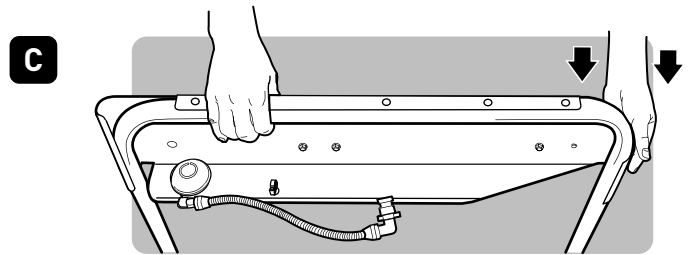
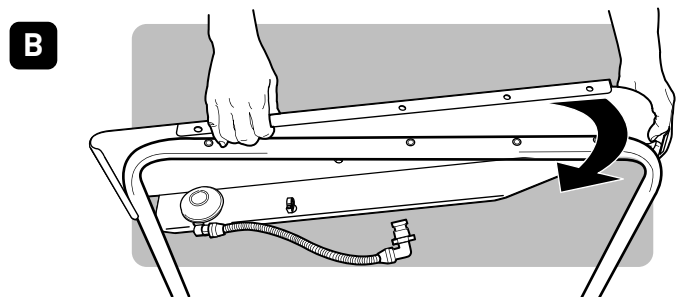
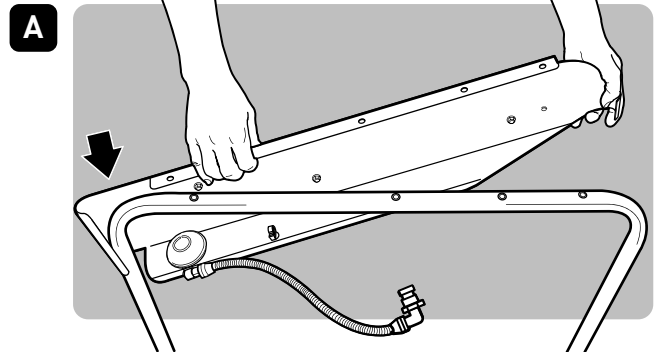
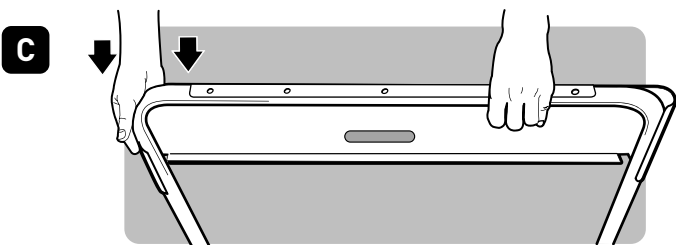
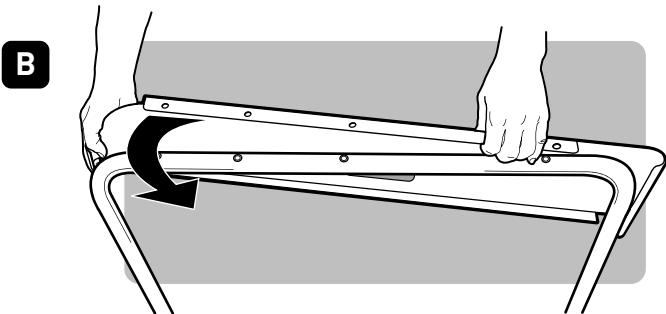
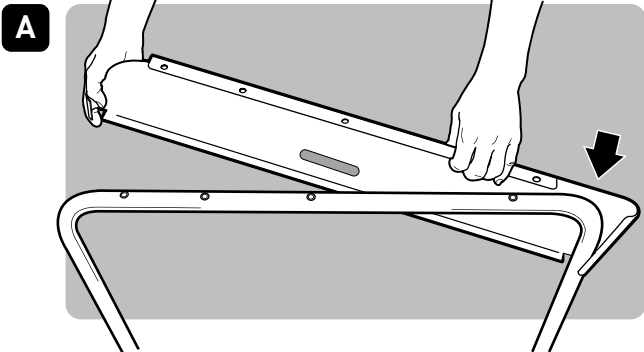
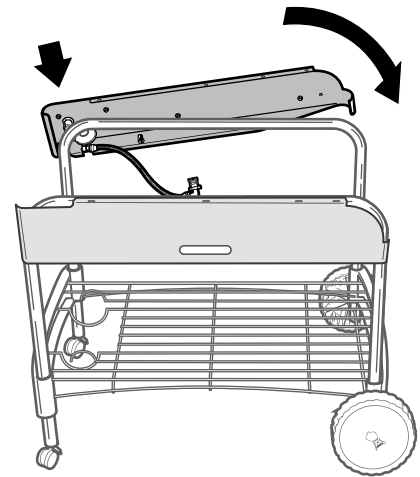
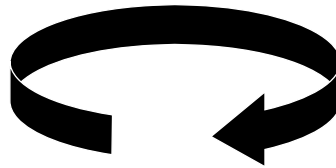
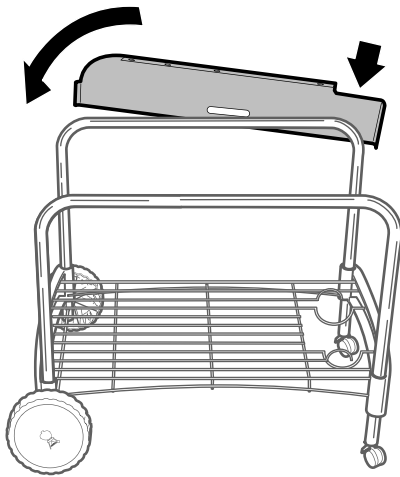


6



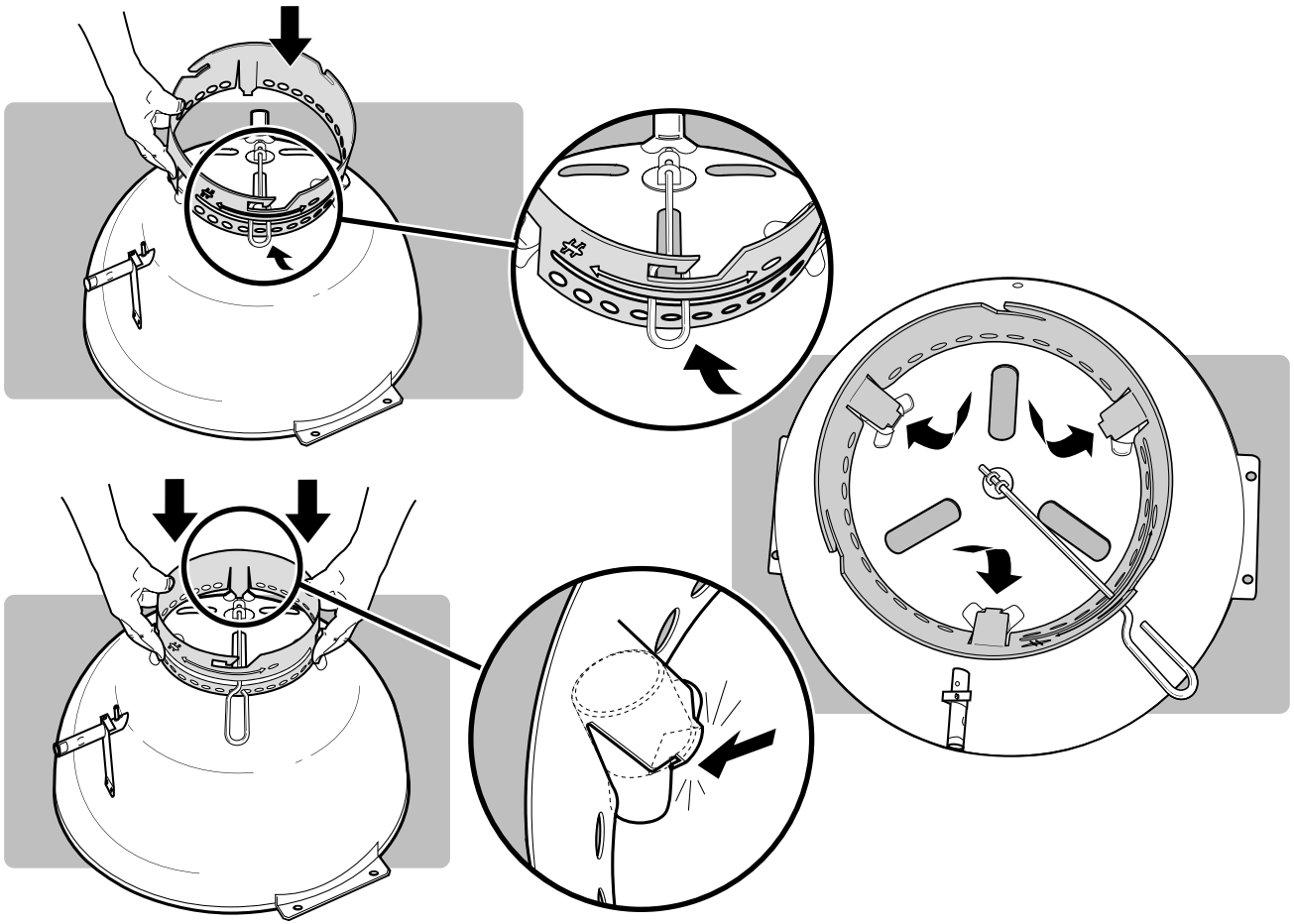
7



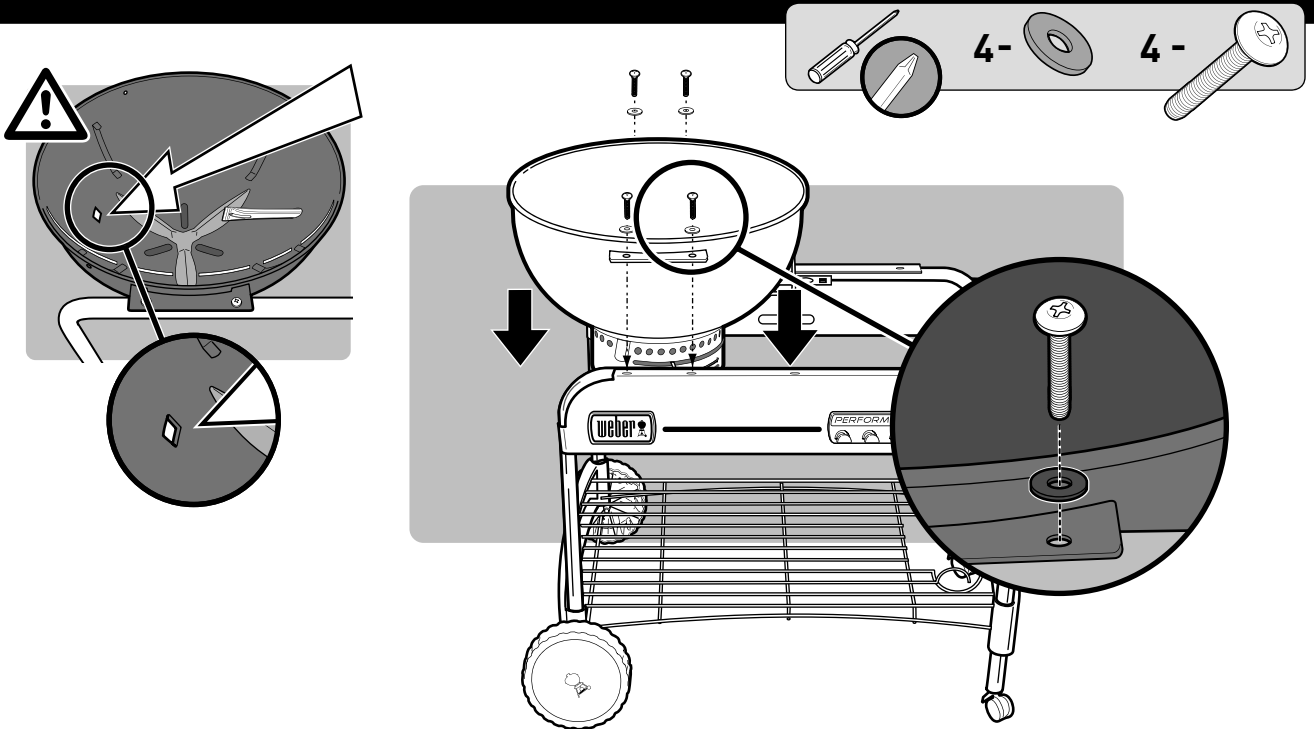


ASSEMBLY

9



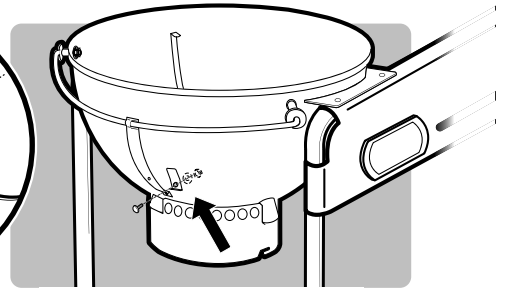
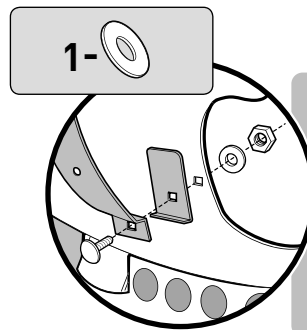
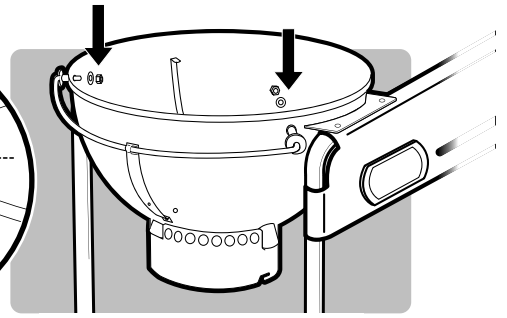
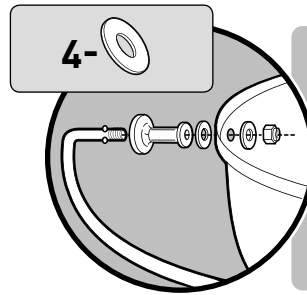
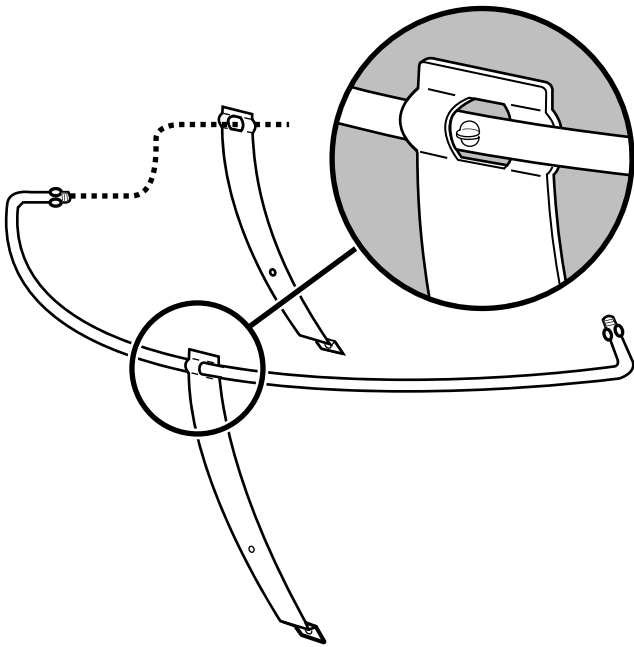
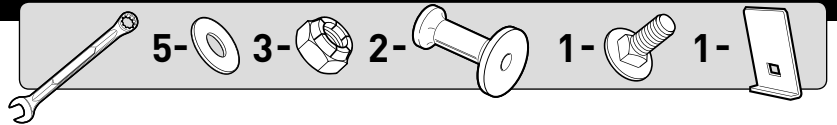
10



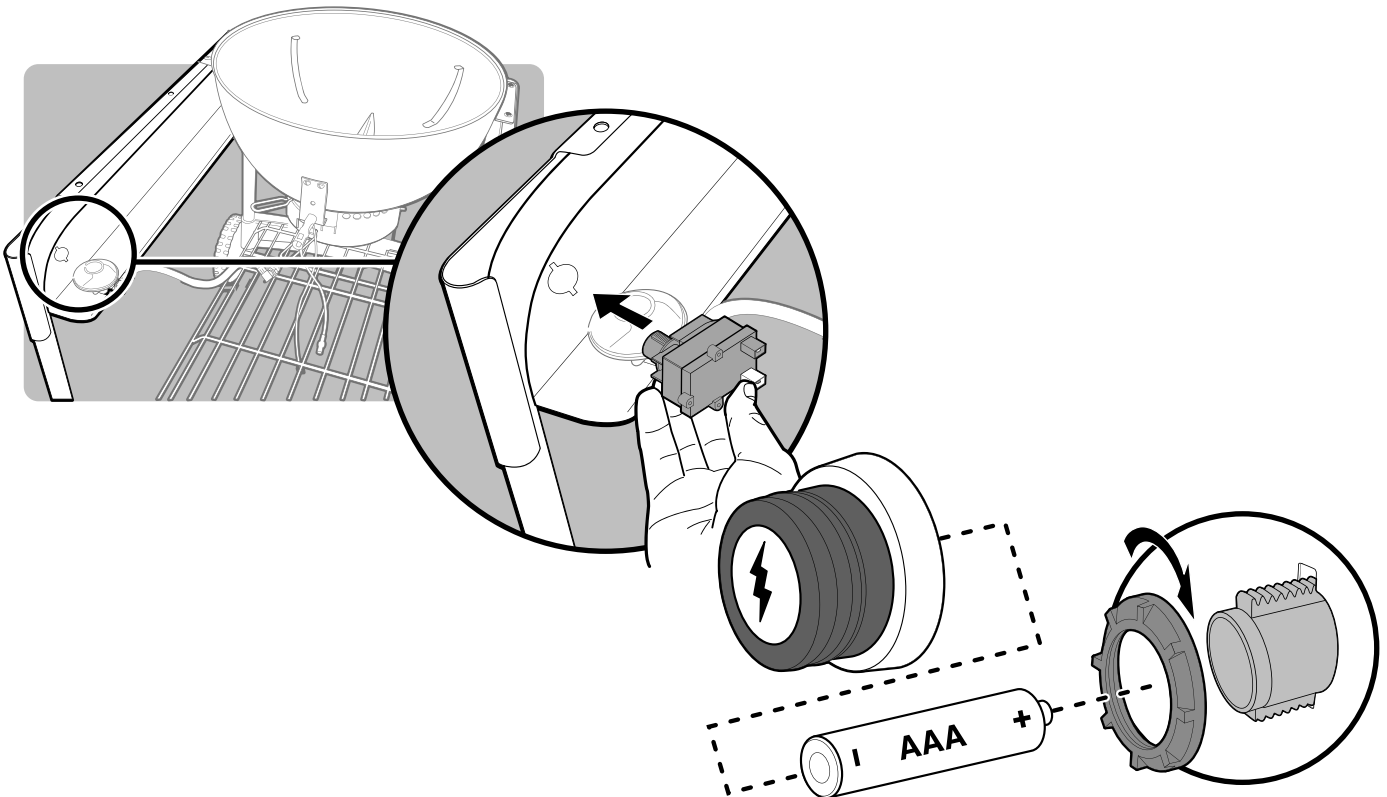


# ASSEMBLY

## 11



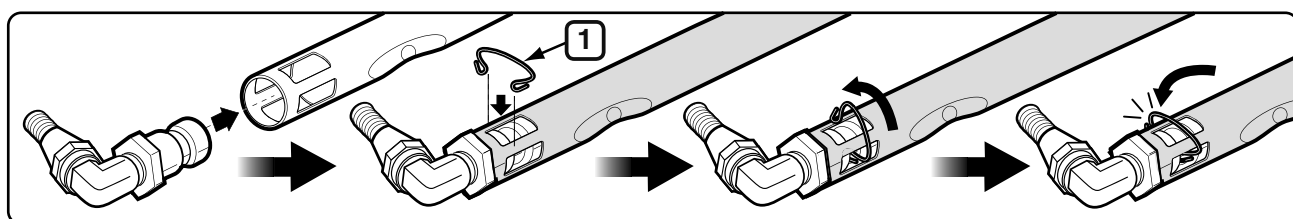
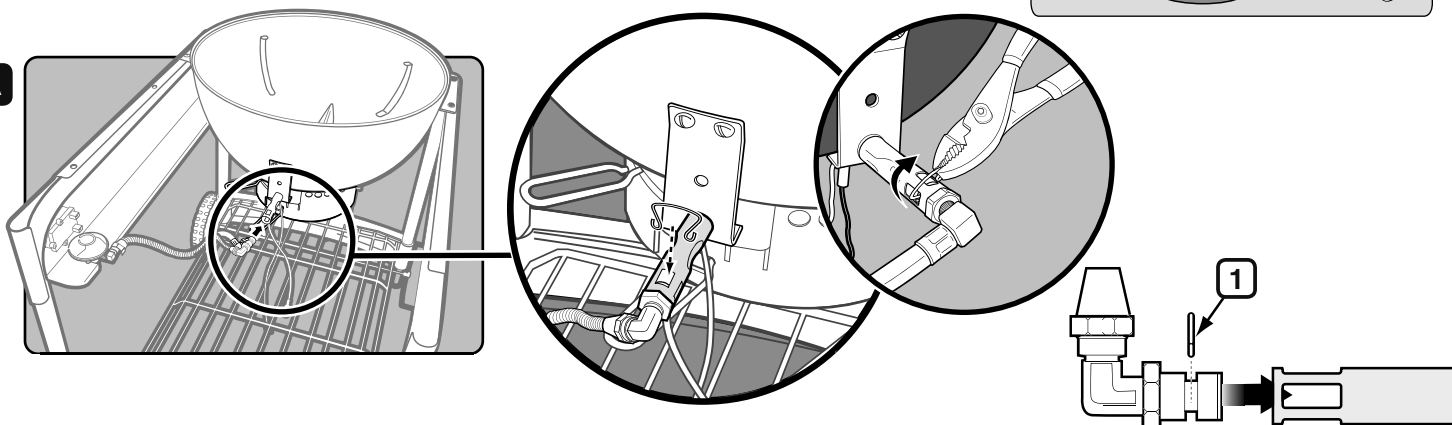
## 12



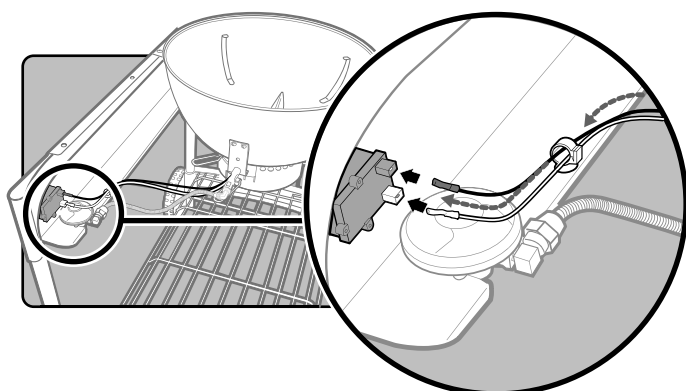
13



A



B



FI

**VAROITUS**

Ennen käyttöä vedä kaasuletkusta ja kaasusuuttimesta sen varmistamiseksi, että lukkorengas on paikallaan ja että kaasuletku ja suutin ovat kunnolla kiinni poltinputken sisällä. Puuttuva lukkorengas voi aiheuttaa sen, että kaasuletku ja suutin siirtyvät poltinputkesta ulos. Tämän seurauksena voi olla tulipalo, joka voi aiheuttaa vakavia vammoja tai kuoleman sekä omaisuusvahingon.

**VAARA**

Älä käytä kaasusytytystoimintoa, jos kaasusuuttimen polttimeen ja kaasulinjaan kiinnittävä lukkorengas (1) puuttuu. Puuttuva lukkorengas voi aiheuttaa sen, että kaasuletku ja suutin siirtyvät poltinputkesta ulos. Tämän seurauksena voi olla tulipalo, joka voi aiheuttaa vakavia vammoja tai kuoleman sekä omaisuusvahingon.

EN

**WARNING**

Prior to use, pull the gas hose and orifice to make sure that the retaining clip is in place and that the gas hose and orifice is securely attached inside the burner tube. A missing retaining clip can cause the gas hose and orifice to move out of the burner tube. This can cause a fire resulting in serious bodily injury or death and damage to property.

**DANGER**

Do not use the gas ignition feature if the retaining clip (1) securing the gas line and orifice into the burner tube is missing. A missing retaining clip can cause the gas hose and orifice to move out of the burner tube. This can cause a fire resulting in serious bodily injury or death and damage to property.

FR

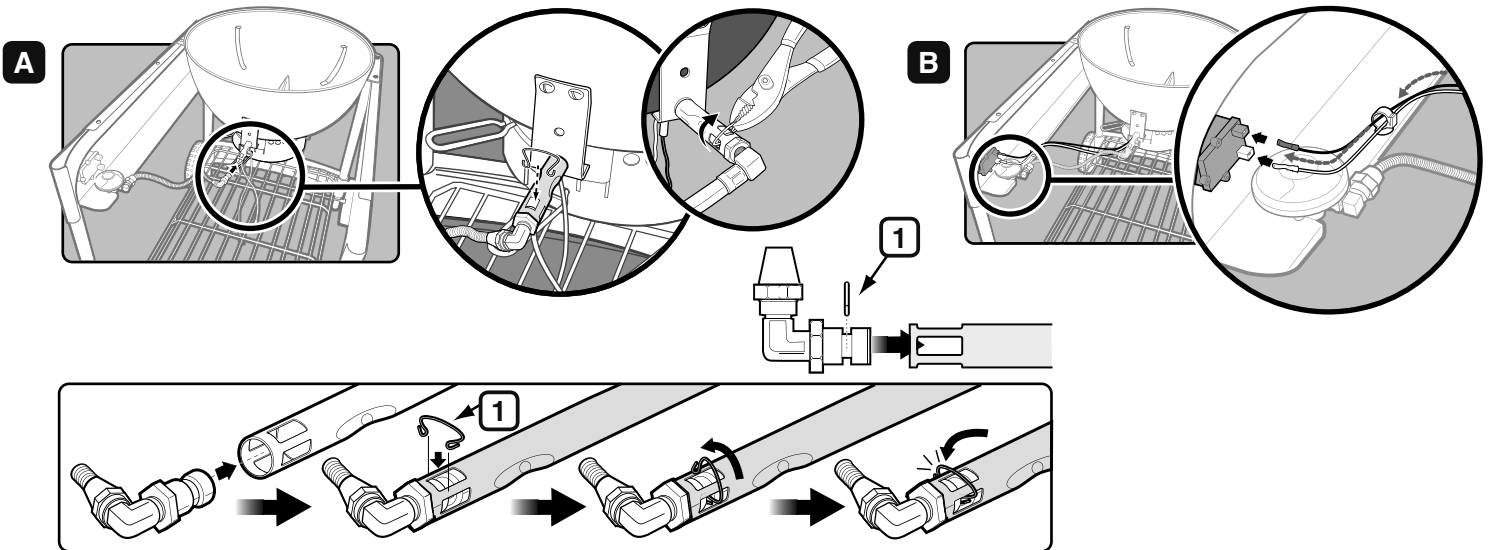
**AVERTISSEMENT**

Avant l'utilisation, tirez sur l'embout et le flexible de gaz pour vous assurer que le clip de retenue est en place et que l'embout et le flexible de gaz sont correctement fixés à l'intérieur du brûleur. L'absence de clip de retenue peut entraîner le détachement de l'embout et du flexible de gaz hors du brûleur. Ce qui pourrait générer un incendie, et partant des lésions graves ou mortelles ainsi que des dommages matériels.

**DANGER**

N'utilisez pas l'allumeur à gaz si le clip de retenue (1) verrouillant l'embout et le flexible de gaz au brûleur n'est pas présent. L'absence de clip de retenue peut entraîner le détachement de l'embout et du flexible de gaz hors du brûleur. Ce qui pourrait générer un incendie, et partant des lésions graves ou mortelles ainsi que des dommages matériels.

13



IT

⚠ AVVERTENZA

Prima dell'uso, estrarre il raccordo e il tubo del gas per assicurarsi che il fermo sia in posizione e che il raccordo e il tubo del gas siano collegati correttamente all'interno del bruciatore.

La mancanza del fermo può provocare il distacco del raccordo e del tubo del gas dal bruciatore. Ciò può provocare un incendio, con conseguenti lesioni personali gravi o mortali e danni alle cose.

⚠ PERICOLO

Non utilizzare il sistema di accensione se manca il fermo (1) che blocca il tubo e il raccordo del gas nel bruciatore. La mancanza del fermo può provocare il distacco del raccordo e del tubo del gas dal bruciatore. Ciò può provocare un incendio, con conseguenti lesioni personali gravi o mortali e danni alle cose.

NO

⚠ ADVARSEL

Før bruk må du trekke i gasslangen og åpningen for å forsikre deg om at festeklipset sitter på plass og at gasslangen og åpningen er ordentlig festet inne i brennerrøret.

Hvis det mangler festeklips kan det forårsake at gasslangen og åpningen beveger seg ut av brennerrøret. Dette kan forårsake brann og føre til alvorlig personskade eller død og skade på eiendom.

⚠ FARE

Bruk ikke gassteningen hvis festeklipset (1) som låser gasslangen og åpningen på brennerrøret mangler. Hvis det mangler festeklips kan det forårsake at gasslangen og åpningen beveger seg ut av brennerrøret. Dette kan forårsake brann og føre til alvorlig personskade eller død og skade på eiendom.

DA

⚠ ADVARSEL

Før brug trækkes i gasslangen og brænderrøret for at sikre, at holderklipsen er på plads og at gasslangen og brænderrøret er sikkert fastgjort til hinanden.

En manglende holderklips kan forårsage, at gasslangen falder ud af brænderrøret. Der kan heraf opstå brand, der kan forårsage alvorlige kvæstelser eller død og materiel skade.

⚠ FARE

Brug ikke gastændingssystemet, hvis systemet mangler holderklipsen (1), der låser gasslangen og hullet til brænderslangen.

En manglende holderklips kan forårsage, at gasslangen falder ud af brænderrøret. Det kan medføre brand, der kan forårsage alvorlige kvæstelser eller død og materiel skade.

ES

⚠ ADVERTENCIA

Antes de utilizarlo, tire del tubo flexible del gas y del orificio para asegurarse de que la pinza de retención esté en su lugar y que el tubo flexible y el orificio estén bien fijados en el interior del tubo del quemador.

La ausencia de la pinza de retención puede hacer que el tubo flexible del gas y el orificio salgan del interior del tubo del quemador. Se podría producir un incendio que, a su vez, podría provocar daños materiales, graves quemaduras o incluso la muerte.

⚠ PELIGRO

No utilice la función de encendido de gas si falta la pinza de retención (1) que fija la línea del gas y el orificio en el interior del tubo del quemador.

La ausencia de la pinza de retención puede hacer que el tubo flexible del gas y el orificio salgan del interior del tubo del quemador. Se podría producir un incendio que, a su vez, podría provocar daños materiales, graves quemaduras o incluso la muerte.

(SV)

## ⚠ VARNING

Dra i gasolslangen och anslutningen före användning för att kontrollera att fästklämman är på plats och att gasolslangen och anslutningen är ordentligt fästa i brännarröret. Om det saknas en fästklämman kan gasolslangen och anslutningen lossna från brännarröret. Det kan leda till eldsvåda som kan resultera i livshotande personskador eller egendomsskador.

## ⚠ FARA

Använd inte gaständningsfunktionen om fästklämman (1) som säkrar gasoltillförseln och gasmunstycket i brännarröret saknas.

Om det saknas en fästklämman kan gasolslangen och anslutningen lossas från brännarröret. Det kan leda till eldsvåda som kan resultera i livshotande personskador eller egendomsskador.

(DE)

## ⚠ WARNHINWEIS

Ziehen Sie vor der Benutzung am Gasschlauch und an der Mündungsdüse, um sicherzustellen, dass die Halteklammer ordnungsgemäß befestigt ist und dass Gasschlauch und Mündungsdüse ordnungsgemäß im Brennerrohr befestigt sind.

Bei fehlender Halteklammer können Gasschlauch und Mündungsdüse aus dem Brennerrohr gleiten. Dadurch kann es zu einem Brand mit schweren oder gar tödlichen Verletzungen und Sachschäden als Folge kommen.

## ⚠ GEFAHRENHINWEIS

Benutzen Sie nicht den Gaszünder, wenn die Halteklammer (1) zur Sicherung der Mündungsdüse im Brennerrohr fehlt.

Bei fehlender Halteklammer können Gasschlauch und Mündungsdüse aus dem Brennerrohr gleiten. Dadurch kann es zu einem Brand mit schweren oder gar tödlichen Verletzungen und Sachschäden als Folge kommen.

(NL)

## ⚠ WAARSCHUWING

Trek vóór gebruik aan de gas slang en -opening om er zeker van te zijn dat de bevestigingsklem aanwezig is en dat de gas slang en -opening stevig bevestigd zijn in de branderslang.

Een ontbrekende bevestigingsklem kan ervoor zorgen dat de gas slang en -opening loskomen uit de branderslang. Dit kan brand veroorzaken en daarmee ernstig lichamenlijk letsel of de dood en schade aan eigendommen.

## ⚠ GEVAAR

Gebruik het gasontstekingsmechanisme niet als de bevestigingsklem (1) ontbreekt die de gas slang en -opening in de branderslang vergrendelt.

Een ontbrekende bevestigingsklem kan ervoor zorgen dat de gas slang en -opening loskomen uit de branderslang. Dit kan brand veroorzaken en daarmee ernstig lichamenlijk letsel of de dood, en schade aan eigendommen.

(PT)

## ⚠ AVISO

Antes de utilizar, puxe o tubo do gás e o orifício para se certificar de que o grampo de fixação está colocado e de que o tubo do gás e orifício estão bem presos dentro do tubo do queimador.

Um grampo em falta pode fazer com que o tubo do gás e o orifício saiam para fora do tubo do queimador. Tal pode provocar um incêndio, resultando em ferimentos graves ou morte, e danos materiais.

## ⚠ PERIGO

Não utilize a função de ignição do gás caso o grampo de fixação (1) que fixa o tubo do gás e o orifício ao tubo do queimador não esteja presente.

Um grampo em falta pode fazer com que o tubo do gás e o orifício saiam para fora do tubo do queimador. Tal pode provocar um incêndio, resultando em ferimentos graves ou morte, e danos materiais.

(PL)

## ⚠ OSTRZEŻENIE

Przed użyciem, pociągając za przewód i dyszę gazową, aby upewnić się, że zacisk ustalający znajduje się na miejscu i, że przewód i dysza są prawidłowo przymocowane wewnątrz rury palnika.

Brak zacisku ustalającego może przyczynić się do wyciągnięcia przewodu i dyszy z rury palnika. Może to doprowadzić do pożaru, poważnych obrażeń ciała, śmierci oraz uszkodzenia mienia.

## ⚠ NIEBEZPIECZEŃSTWO

W przypadku braku zacisku ustalającego (1) mocującego przewód i dyszę gazową w rurze palnika, nie należy korzystać z funkcji zapalania gazem.

Brak zacisku ustalającego może przyczynić się do wyciągnięcia przewodu i dyszy z rury palnika. Może to doprowadzić do pożaru, poważnych obrażeń ciała, śmierci oraz uszkodzenia mienia.

(RU)

## ⚠ ПРЕДУПРЕЖДЕНИЕ

Перед использованием, потяните за газовый шланг и насадку, чтобы убедиться, что фиксирующий зажим работает и что газовый шланг и насадка надежно закреплены в трубке горелки.

Отсутствие фиксирующего зажима может привести к тому, что газовый шланг и насадка отсоединятся от трубки горелки. Это может вызвать пожар и, как результат - серьезные телесные повреждения или смерть, а также материальный ущерб.

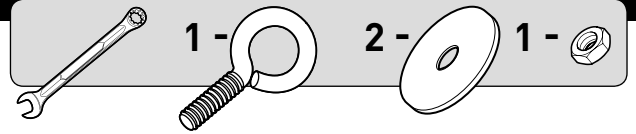
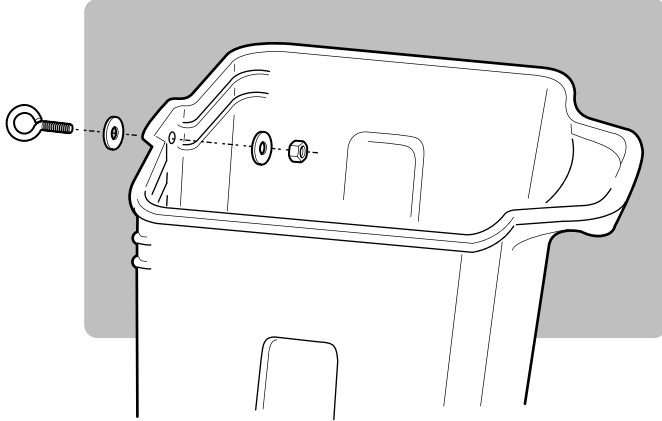
## ⚠ ОПАСНО

Не пользуйтесь газовым запалом, если отсутствует фиксирующий зажим (1), крепящий газопровод и насадку в трубке горелки.

Отсутствие фиксирующего зажима может привести к тому, что газовый шланг и насадка отсоединятся от трубки горелки. Это может вызвать пожар и, как результат - серьезные телесные повреждения или смерть, а также материальный ущерб.

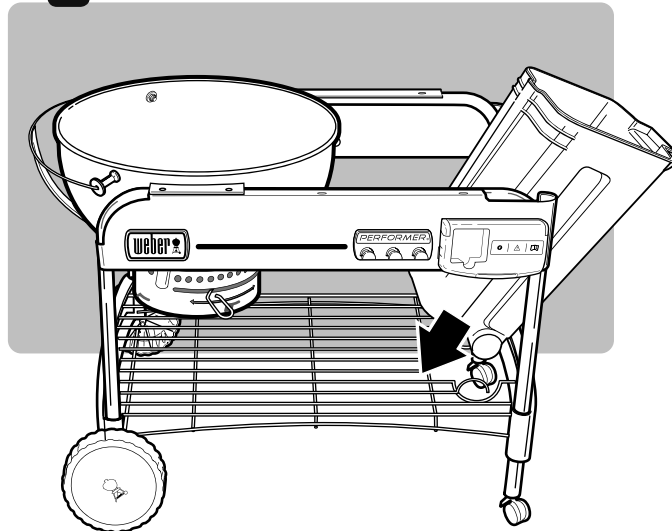
# ASSEMBLY

14

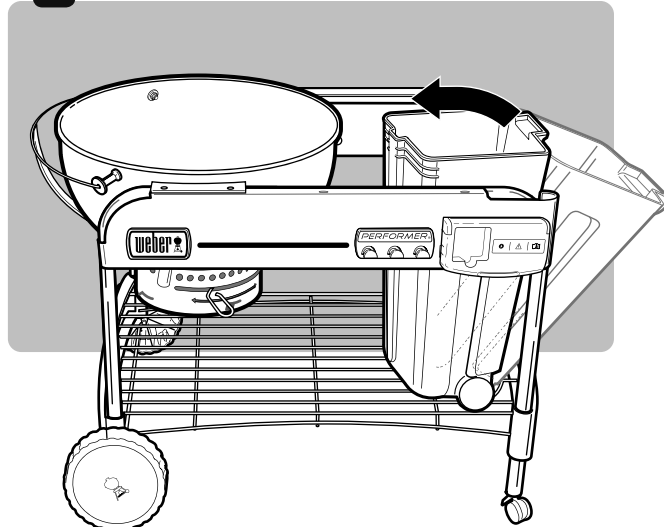


15

A

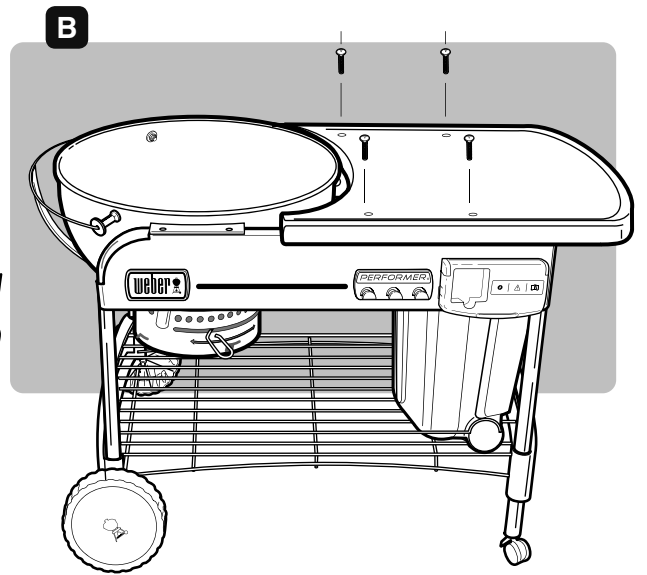
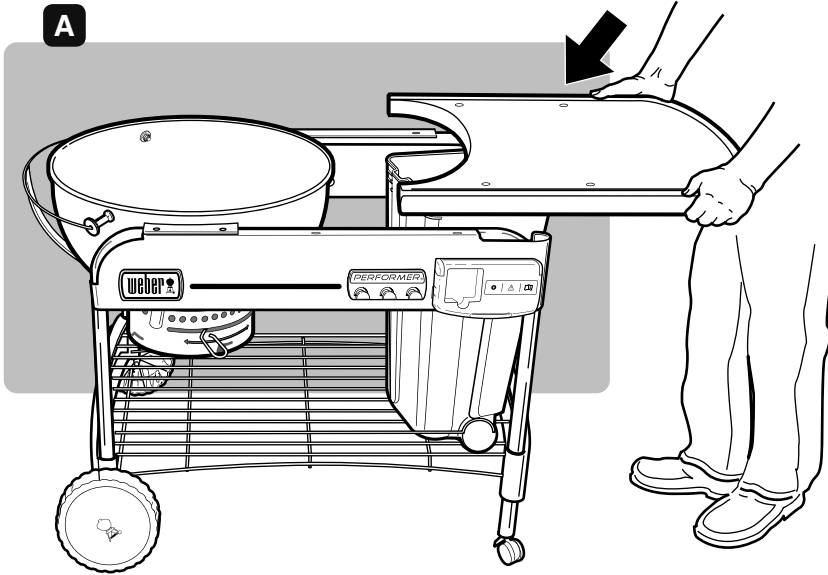
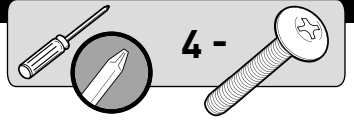


B

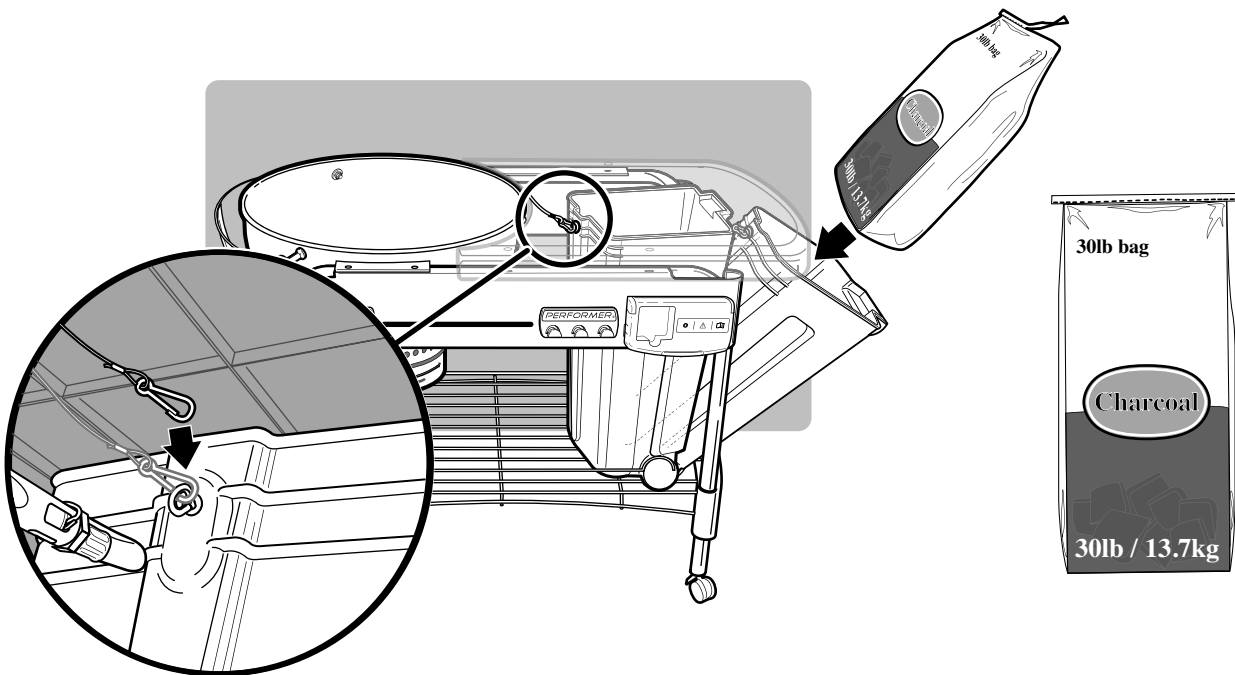


# ASSEMBLY

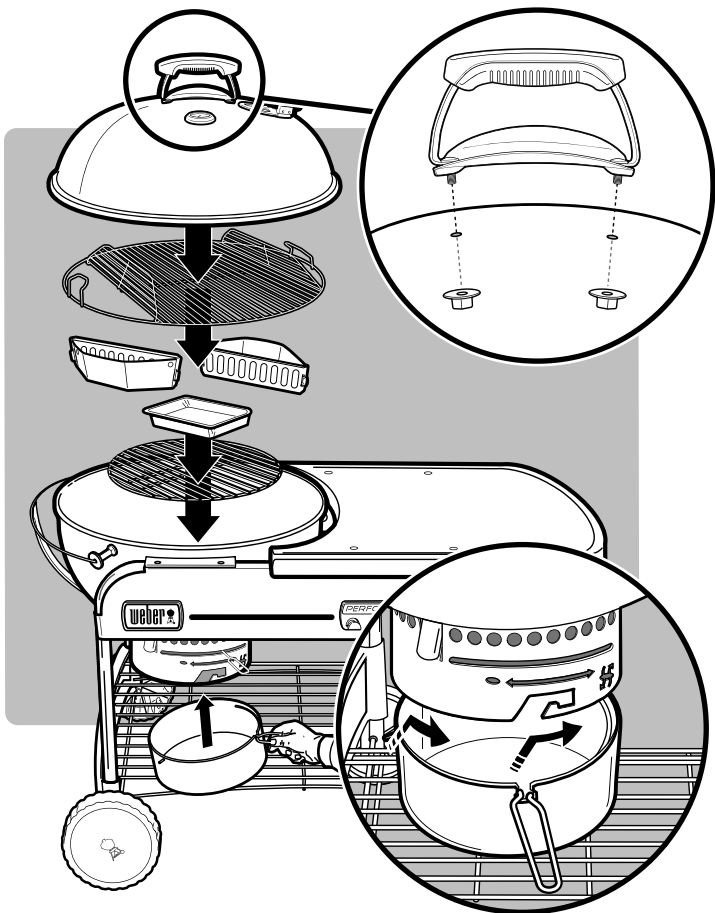
## 16



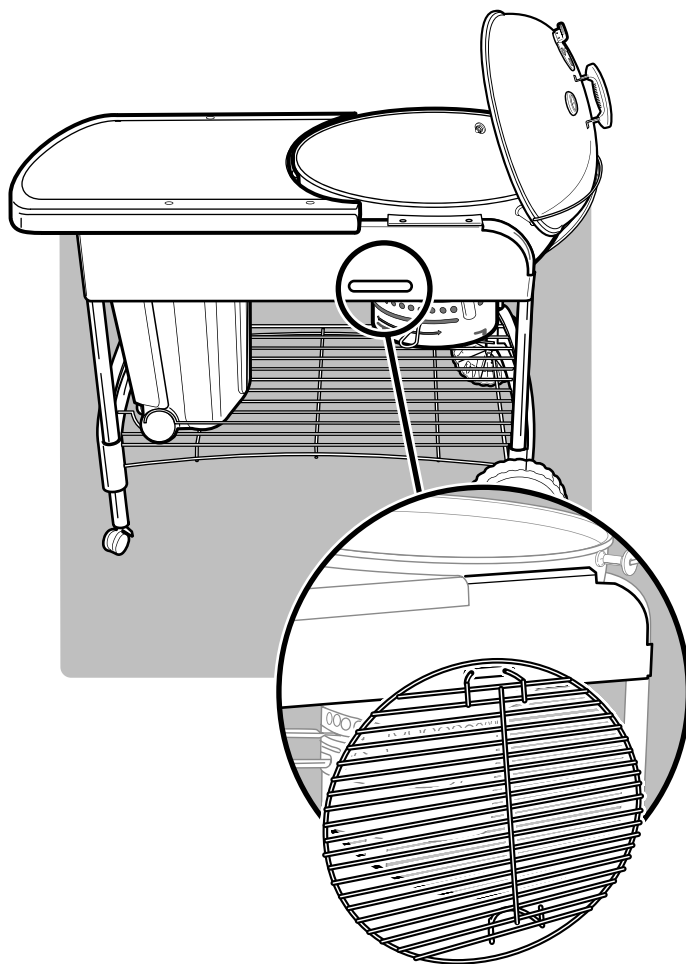
## 17



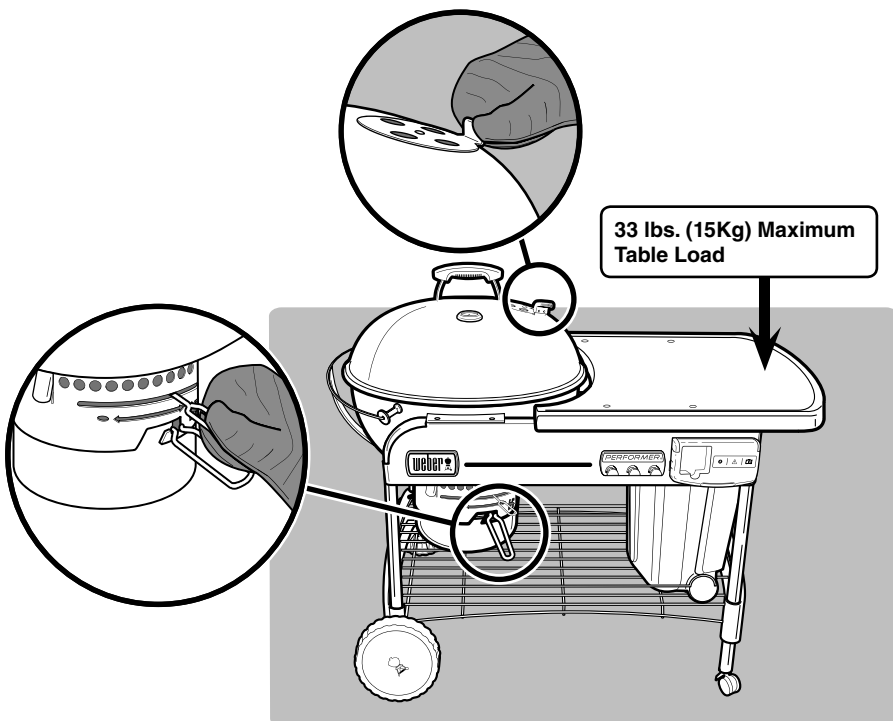
18



19

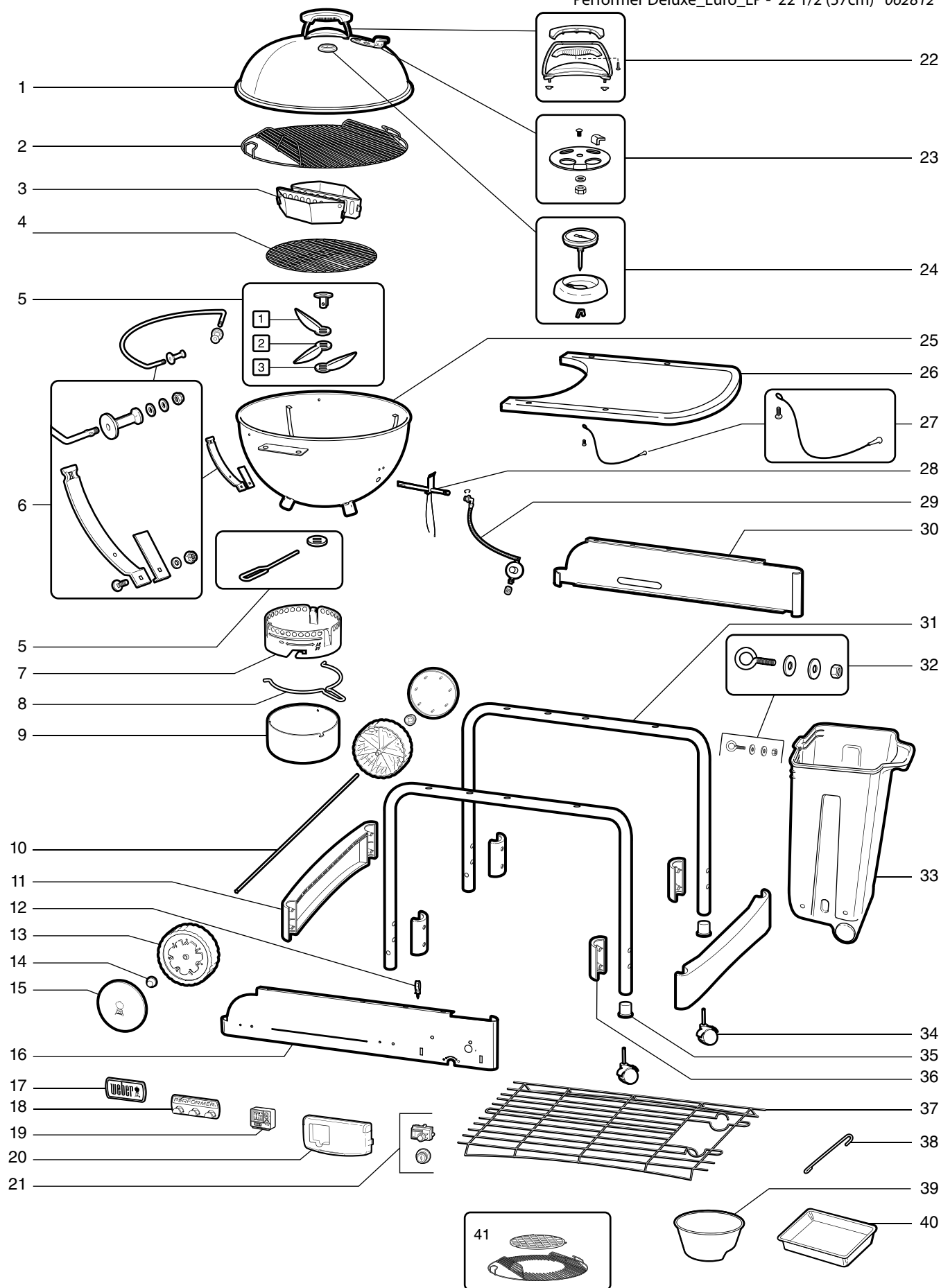


20



- FI** 15 kg Pöydän Painavin Taakka
- FR** Charge Maximale sur le Plan de Travail : 15 kg
- IT** 15 Kg Peso Massimo Ripiano
- NO** 33 lbs. (15 kg) Maksimum Belastning på Bordet
- DA** 15 kg. (33 lbs.) Maksimal Bordbelastning
- ES** Carga Máxima en la Tabla: 33 libras (15 kg)
- SV** 33 lbs. (15 Kg) Maximal Belastning på Bordet
- DE** 15 kg Max. Tischbelastung
- NL** 15 kg (33 lbs.) Maximale Belasting Werkblad
- PT** 15 Kg de Carga Máxima na Mesa
- PL** 33 funty. (15 kg) Maksymalne Obciążenie Blatu
- RU** 33 фунта (15кг) максимальная нагрузка стола

Performer Deluxe\_Euro\_LP - 22 1/2 (57cm) 062812





- |                                        |                                     |                                        |
|----------------------------------------|-------------------------------------|----------------------------------------|
| 1. Lid                                 | 15. Wheel Cover                     | 29. Hose & Regulator with Orifice Clip |
| 2. Hinged Cooking Grate                | 16. Front Panel                     | 30. Rear Panel                         |
| 3. Char-Baskets™                       | 17. Logo Plate                      | 31. Frame Leg                          |
| 4. Charcoal Grate                      | 18. Tool Holder                     | 32. CharBin™ Hardware                  |
| 5. One Touch™ Cleaning System          | 19. Digital Cook Timer              | 33. CharBin™                           |
| 6. Lid Holder & Lower Support Assembly | 20. Gas Control Cover               | 34. Casters                            |
| 7. Ash Catcher Ring                    | 21. Igniter Button / Igniter Module | 35. Caster Inserts                     |
| 8. Ash Catcher Handle                  | 22. Lid Handle Assembly             | 36. Leg Frame Bracket Clamp            |
| 9. High-Capacity Ash Catcher           | 23. Lid Damper Assembly             | 37. Bottom Rack                        |
| 10. Axle                               | 24. Thermometer Assembly            | 38. Matchstick Holder                  |
| 11. Leg Frame Bracket                  | 25. Bowl                            | 39. Charcoal Cup                       |
| 12. Igniter Wire Stay                  | 26. Table                           | 40. Disposable drip pan                |
| 13. Wheel                              | 27. CharBin™ Retention Chain        |                                        |
| 14. Hub Cap                            | 28. Burner Assembly                 |                                        |

**MAY INCLUDE:**

41. Sear Grate with Hinged Cooking Grate

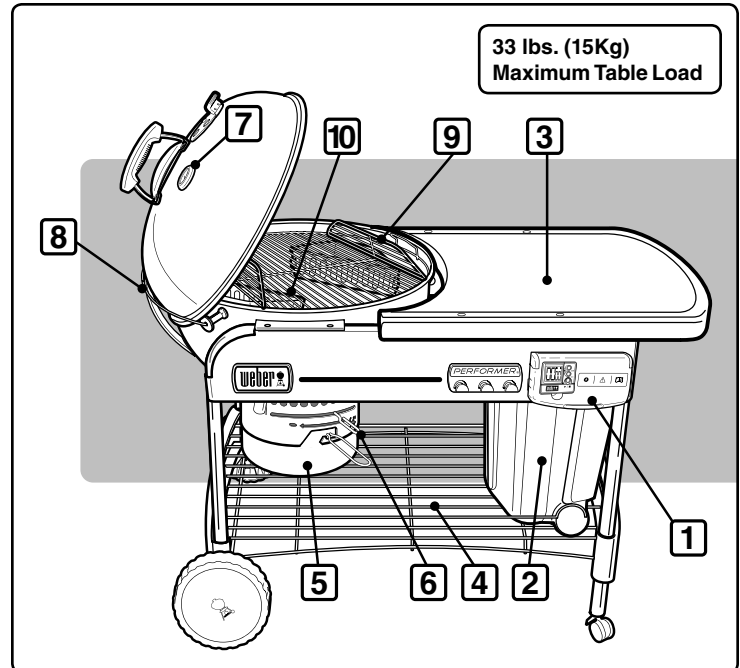
If you have questions or need advice regarding your grill or its safe operation, please log onto [www.weber.com](http://www.weber.com).

- These instructions will give you the minimum requirements for assembling your Weber® barbecue. Please read the instructions carefully before using your Weber® barbecue. Improper assembly can be dangerous.
- Not for use by children.
- This Weber® barbecue is designed for use with propane or a propane/butane gas mix only. Do not use with natural gas. The valve and regulator are for propane or a propane/butane gas mix only.
- This Weber® gas barbecue is not intended for commercial use.

- The use of alcohol and/or prescription or non-prescription drugs may impair the consumer's ability to properly assemble or safely operate the appliance.
- This Weber® barbecue is not intended for and should never be used as a heater.
- Do not leave the Weber® barbecue unattended. Keep children and pets away from the Weber® barbecue at all times.
- Check that the area under the control panel and the bottom tray are free from debris that might obstruct the flow of combustion or ventilation air.
- Any parts sealed by the manufacturer must not be altered by the user.
- Any modification of the appliance may be dangerous.

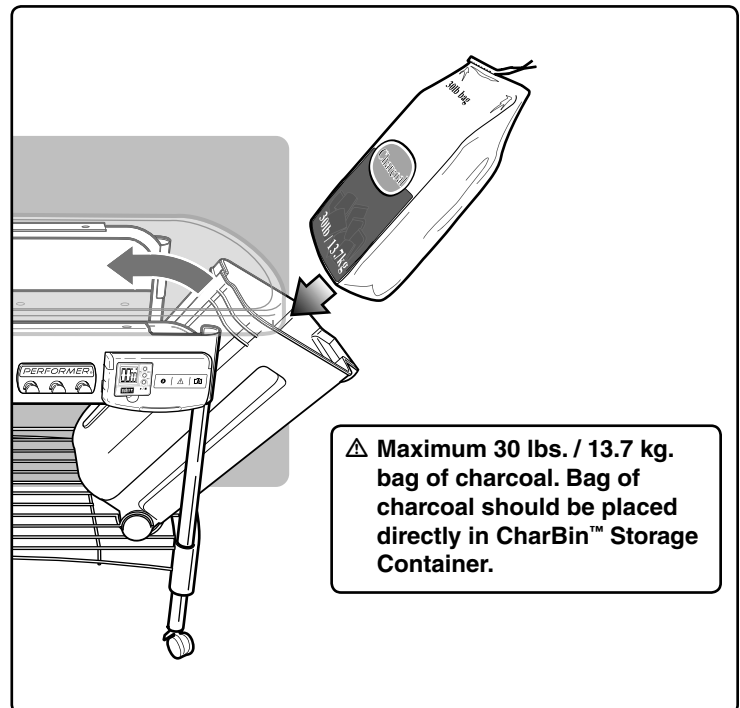
## FEATURES

- A) Exclusive Touch-N-Go™ gas ignition system takes the hassle out of lighting charcoal briquets (1). Simply push and hold button and the system's gas burner ignites, starting the charcoal for you. No dangerous liquid starters to use or store, and no more liquid starter aftertaste.
- B) CharBin™ storage container holds a bag of charcoal with a maximum weight of 30 lbs./13.7 kg (2). The bag of charcoal should be placed directly in the CharBin™ storage container.
- C) Thermoset work surface serves as a great work area and covers the CharBin™ storage container to keep briquets dry (3).
- D) Convenient bottom rack for storage (4).
- E) High-capacity ash catcher locks in place, eliminating blowing ashes (5).
- F) One-Touch® cleaning system easily sweeps out ashes, or opens and closes the vents (6).
- G) Thermometer monitors the cooking temperature inside the grill (7).
- H) Tuck-Away™ lid slides back into the stainless steel lid holder and acts as a windshield when lighting briquets (8).
- I) Hinged access flaps swing open on cooking grate for easy addition of briquets or wood chips during cooking (9).
- J) Char-Basket™ fuel holders allow convenient indirect and concentrated direct cooking flexibility with wood or charcoal (10).



## OPERATING AREA

- ⚠ **WARNING: Only use this barbecue outdoors in a well-ventilated area. Do not use in a garage, building, breezeway or any other enclosed area.**
- ⚠ **WARNING: Accessible parts may be very hot. Keep young children away.**
- ⚠ **Never operate the barbecue under any overhead combustible construction.**
- ⚠ **Your Weber® barbecue is not intended to be installed in or on recreational vehicles and/or boats.**
- ⚠ **Do not use combustible materials within 60cm of the top, bottom, back or sides of the grill.**
- ⚠ **The entire barbecue gets hot when in use. Do not leave unattended.**
- ⚠ **Keep any electrical supply cord and the fuel supply hose away from any heated surface.**
- ⚠ **Keep the cooking area clear of flammable vapours and liquids, such as petrol, alcohol, etc., and combustible materials.**
- ⚠ **Do not move the appliance during use. Allow the grill to cool before moving.**
- ⚠ **This appliance is not intended for and should never be used as a heater.**



**CONNECTING THE LP DISPOSABLE CARTRIDGE**

Use LP disposable cartridges with a minimum capacity of 430g and a maximum capacity of 460g. The cartridge must have an EN417 valve as illustrated. One type of cartridge that can be used is a Primus model 2202 or a Weber Q Gas disposable cartridge.

**⚠ CAUTION: Use cylinders that are marked Propane fuel or Propane-Butane mix only.**

Push LP disposable cartridge into regulator and turn clockwise until tight.

**⚠ WARNING: Hand-tighten only. Using excessive force could damage the regulator coupling and could cause a leak or lack of gas flow.**

**CHECK FOR GAS LEAKS:**

**⚠ DANGER**

**Do not use an open flame to check for gas leaks. Be sure there are no sparks or open flames in the area while you check for leaks. Sparks or flames will result in a fire or explosion, which can cause serious bodily injury or death as well as damage to property.**

You will need: LP disposable cartridge, a soap-and-water solution and a rag or brush to apply it.

- A) Mix the soap and water.
- B) Turn the gas control to "ON" by turning anti-clockwise.
- C) Check for leaks by wetting the fitting with the soap-and-water solution and watching for bubbles. If bubbles form, or if a bubble grows, there is a leak.

**CHECK:**

- A) Regulator-to-LP disposable cartridge connection.

**⚠ WARNING: If there is a leak at connection (1), remove LP disposable cartridge. Do not operate grill. Use a different LP disposable cartridge and recheck for leaks with soap-and-water solution. If a leak persists after retightening the LP cartridge, turn OFF the gas. DO NOT OPERATE THE GRILL. Contact the Customer Service Representative in your area using the contact information on our web site. Log onto [www.weber.com](http://www.weber.com).**

**CHECK:**

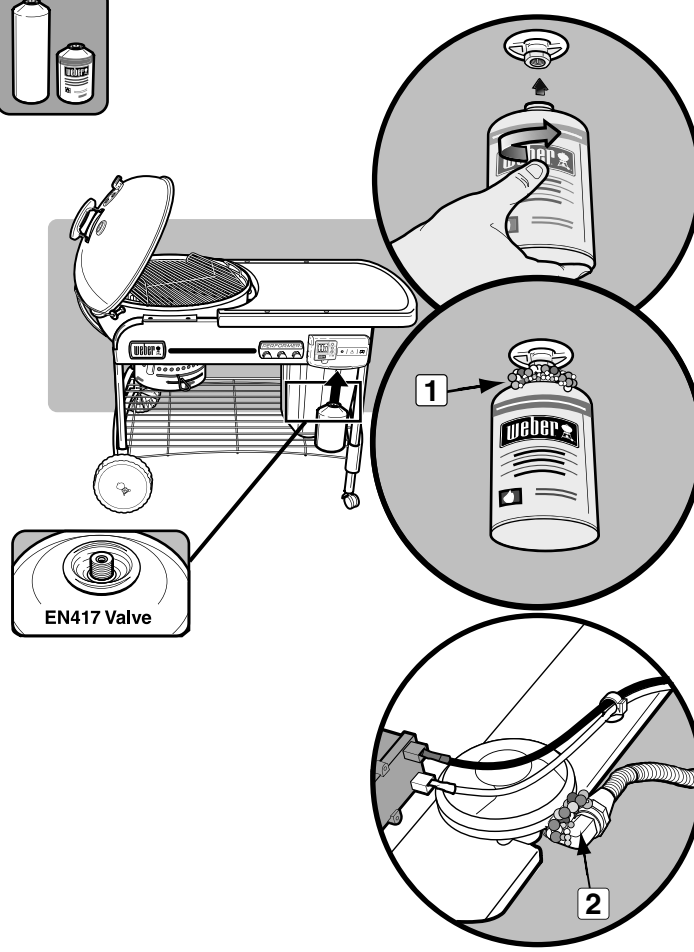
- B) Valve-to-regulator connections.

**⚠ WARNING: If there is a leak at connection (2) turn OFF the gas. DO NOT OPERATE THE GRILL. Contact the Customer Service Representative in your region using the contact information on our web site. Log onto [www.weber.com](http://www.weber.com).**

When leak checks are complete, turn gas supply OFF at the source and rinse connections with water.

**⚠ DANGER**

**Do not store a spare LP cartridge under or near this appliance.**



## LIGHTING

**⚠ DANGER**

Open lid before lighting. Do not use any flammable liquids such as starting fluid, gasoline, alcohol or any form of self-lighting charcoal at any time, including when manually lighting. Failure to do so will cause serious bodily injury or death.

A) Remove grill lid before operating gas feature.

**⚠ DANGER: Failure to do so can cause a gas build-up that can cause a fire or explosion which can cause serious bodily injury or death, or damage to property.**

B) Open bottom bowl dampers (1).

C) Position Char-Baskets™ over burner (2).

D) Push in tabs on gas control cover (3) and lift to open.

E) Turn gas supply on (counter-clockwise) at least one full turn (4).

**⚠ WARNING: Do not lean over open barbecue while lighting.**

F) Push and hold igniter button until burner ignites (5).

**⚠ CAUTION: Flame may be hard to see on a bright day.**

G) After charcoal has ignited (approximately 5 minutes), turn gas control knob OFF (clockwise) until it is closed.

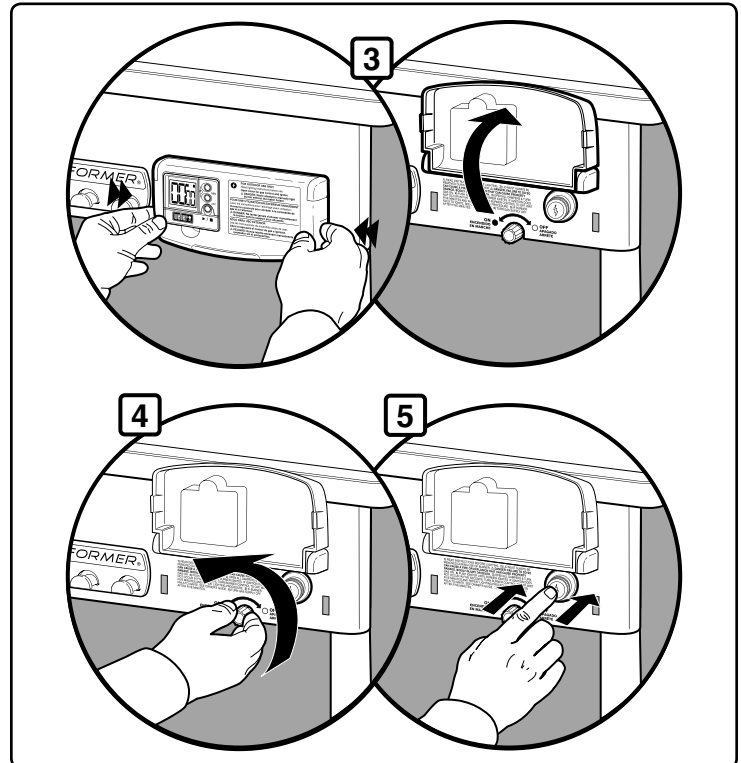
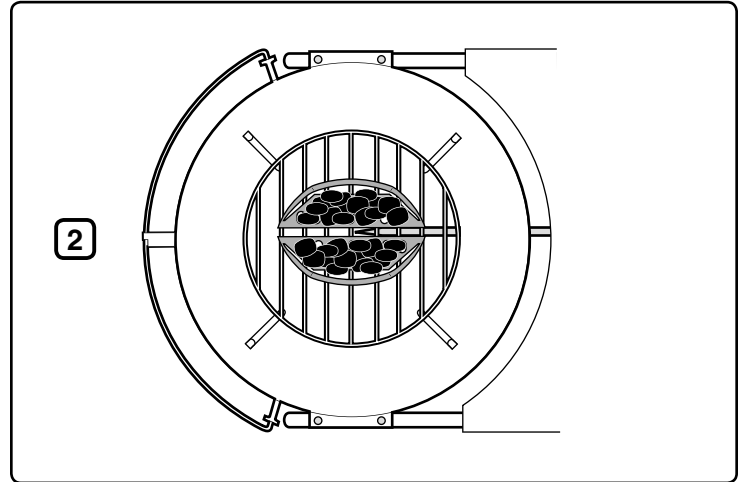
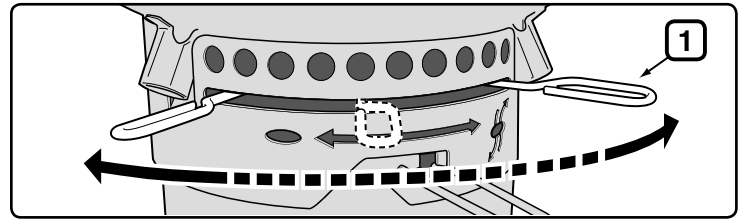
**⚠ CAUTION: Ensure cover is closed completely.**

*Note - Prolonged tank run time lessens tank life.*

H) You can begin cooking when briquets have a light coating of grey ash (approximately 25-30 minutes).

## TO EXTINGUISH

Turn gas control knob OFF (clockwise) until it is closed.



**MANUAL LIGHTING**

⚠ **WARNING:** Do not attempt to light manually without using the matchstick holder.

**⚠ DANGER**

Open lid before lighting. Do not use any flammable liquids such as starting fluid, petrol, alcohol or any form of self-lighting charcoal at any time, including when manually lighting. Failure to do so will cause serious bodily injury or death.

A) Remove grill lid before operating gas feature.

⚠ **DANGER:** Failure to do so can cause a gas build-up that can cause a fire or explosion which can cause serious bodily injury or death, or damage to property.

B) Open bottom bowl dampers (1).

C) Move Char-Baskets™ away from the burner (2).

D) Push in tabs on gas control cover (3) and lift to open.

E) Put a match in the matchstick holder (4). Light match.

F) Turn gas supply on (counter-clockwise) at least one full turn (5).

G) Position match flame at rear of burner slot (6).

⚠ **WARNING:** Do not hold hand directly above burner when manually lighting.

⚠ **WARNING:** Do not lean over open barbecue while lighting.

⚠ **CAUTION:** Flame may be hard to see on a bright day.

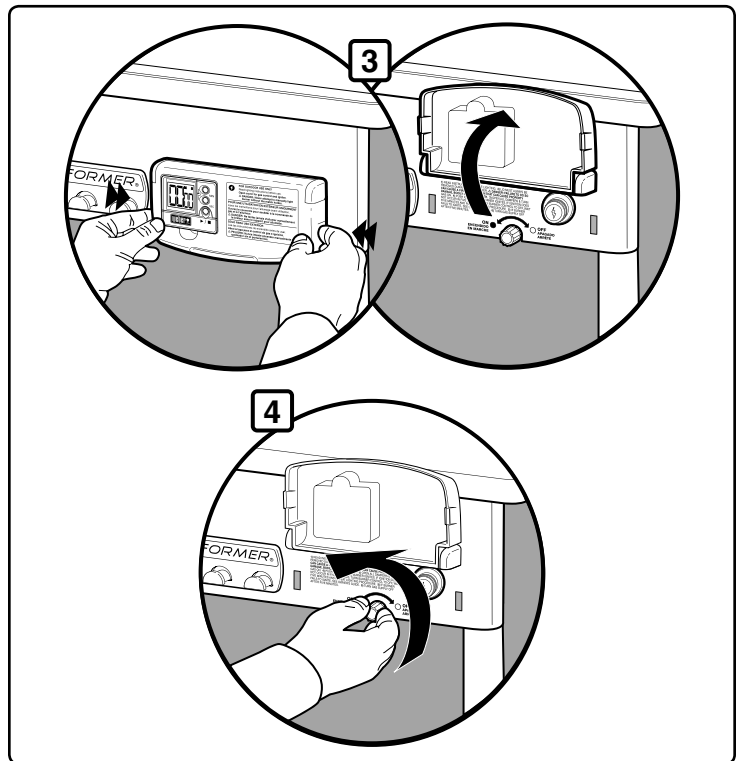
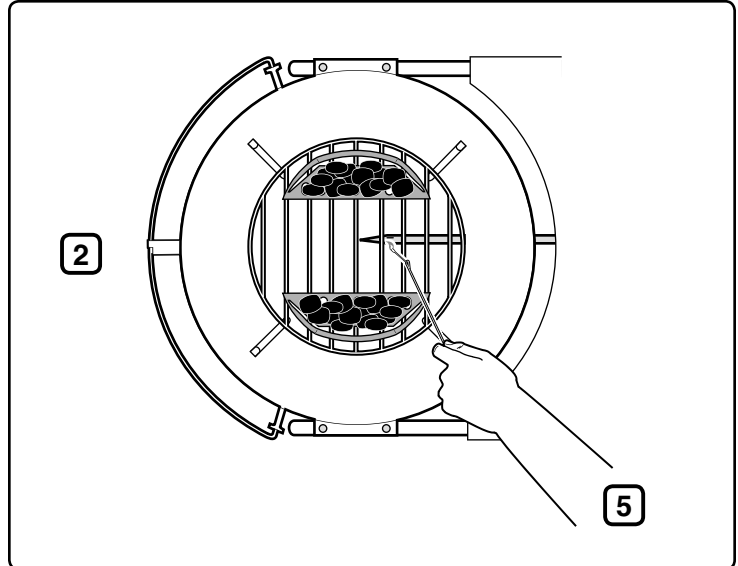
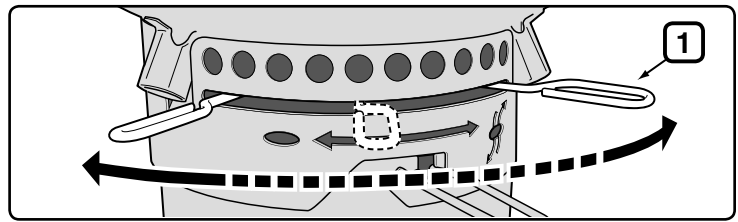
H) Wear barbecue mitts and use tongs to reposition Char-Baskets™ over burner.

I) After charcoal has ignited (approximately 5 minutes), turn gas control OFF (clockwise) until it is closed.

J) You can begin cooking when briquets have a light coating of grey ash (approximately 25-30 minutes).

**TO EXTINGUISH**

Turn gas control knob OFF (clockwise) until it is closed.



## TIMER OPERATION

This water-resistant digital cook timer provides both countup and countdown features in minutes and seconds.

### To set the time to countdown:

- Press the **MIN** button (1) to set the minute digits. Hold the button down to fast forward digits (maximum setting: 99 minutes (4)).
- Press the **SEC** button (2) to set the second digits. Hold the button down to fast forward digits (maximum setting: 59 seconds (5)).
- Press the **Start / Stop**: ▶ / ■ button (3).
- When desired time is reached, the alarm will sound for 30 seconds and automatically restart countdown from previous time setting.

### To set the time to countup:

- Press the **Start / Stop**: ▶ / ■ button. While counting up, display will show the reading in minute/second format.
- Press button again to stop timer. (Maximum setting: 99 minutes (4), 59 seconds (5)).

### To clear the time:

- Press in both **MIN** and **SEC**: ↻ buttons simultaneously (1)(2).

*Note: If using in an environment that subjects timer to electrostatic discharge, the unit time setting may be lost. If this occurs, reset unit and re-enter time setting.*

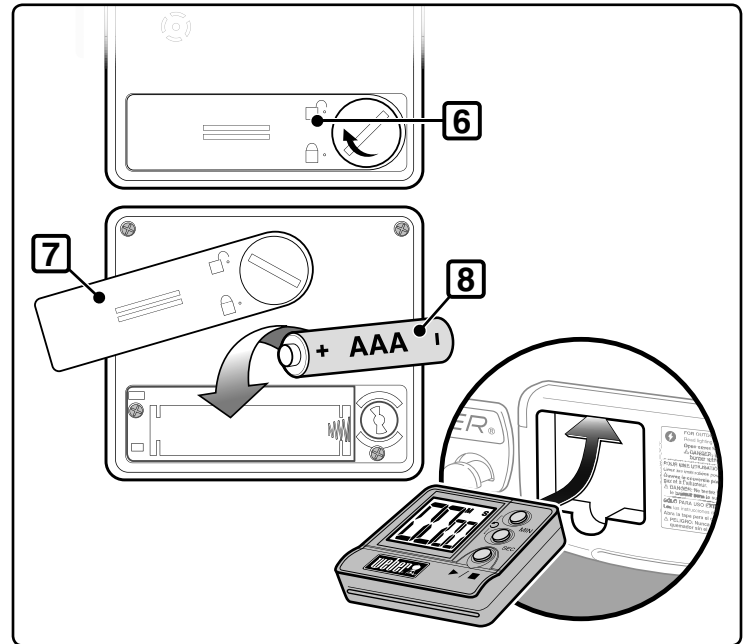
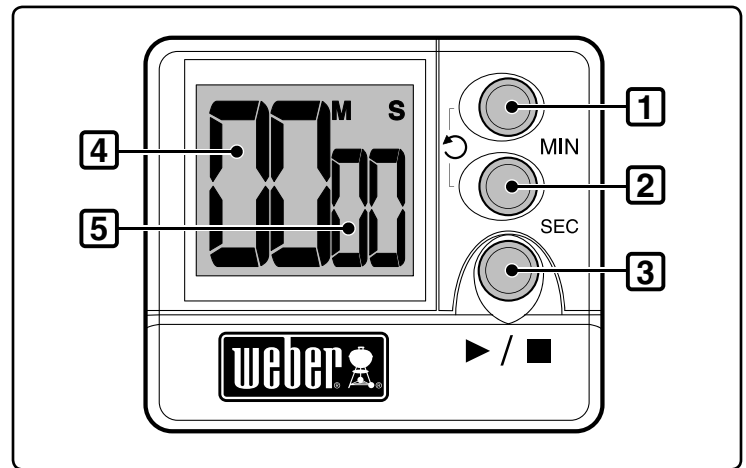
### Battery installation:

- Unlock the battery cover on the back of the timer (6) by turning lock clockwise.
- Remove the battery cover from the back of the timer (7).
- Replace the AAA battery (8).
- Replace the battery cover.
- Lock the battery cover by turning lock anti-clockwise.
- After the battery is installed, (0000) will be displayed on the LCD screen.

### Maintenance:

- Do not clean the unit with abrasive or corrosive compound, which may scratch the unit's parts and corrode the electronic circuits.
- Do not subject the unit to excessive force, shock, dust, temperature or humidity, which may result in unit malfunctioning, shorter electronic life span, battery damage and distorted parts.
- Do not tamper with the unit's internal components. Doing so will invalidate the warranty on the unit and may cause unnecessary damage to the battery and internal parts.
- Do not subject the unit to excessive exposure to direct sunlight or heavy rain.
- Do not immerse this device in water.

**For the best performance of the digital cook timer, it is recommended to bring timer indoors during non-use.**



## TROUBLESHOOTING

EN

PROBLEM	CHECK	CURE
<b>Burner burns with a yellow or orange flame, in conjunction with the smell of gas.</b>	Inspect burner for possible obstructions.	Clean burner. (See "Maintenance" section)
<b>Burner does not light, or flame is low.</b>	Is LP fuel low or empty?	Replace LP cylinder.
	Is fuel hose bent or kinked?	Straighten fuel hose.
	Does the burner light with a match?	If you can light the burner with a match, then check the ignition system.
	Is the hose to burner tube connection properly secured?	Connect the gas hose to the burner tube using the metal retaining clip provided. <b>⚠ DANGER: Do not use the gas ignition feature if the retaining clip is missing. A missing retaining clip can cause serious bodily injury or death, and damage to property.</b> Contact Customer Service for a replacement retainer clip.
<b>Burner flame pattern is erratic.</b>	Is burner clean?	Clean burner. (See "Maintenance" section)
<b>Burner does not ignite when you push the igniter button.</b>	Be sure that there is gas flow to the burners by attempting to match light your burners. Refer to "MANUAL IGNITION."	If match lighting is successful, the problem lies in the ignition system. Refer to "ELECTRONIC IGNITION SYSTEM OPERATION."
	Is there a fresh battery installed?	Verify that the battery is in good condition and installed correctly. Refer to "ELECTRONIC IGNITER INSPECTION."
	Are the wires connected properly to the ignition module?	Be sure that wires are correctly inserted into terminals on ignition box. Refer to "ELECTRONIC IGNITION SYSTEM OPERATION."
	Is there plastic wrapping around the new battery?	Remove plastic wrapping.
<b>Timer does not work.</b>	Is there a fresh battery installed?	Verify that the battery is in good condition and installed correctly. Refer to "TIMER OPERATION."
<b>Inside of lid appears to be "peeling." (Resembles paint peeling.)</b>	What you are seeing is baked-on grease that has turned to carbon and is flaking off. <b>THIS IS NOT A DEFECT.</b>	Clean thoroughly. (See "Cleaning" section)
<p><b>If problems cannot be corrected by using these methods, please contact the Customer Service Representative in your area using the contact information on our web site. Log onto <a href="http://www.weber.com">www.weber.com</a>®.</b></p>		

## MAINTENANCE

After a period of non-use we recommend that you perform the following maintenance procedures for your safety.

- Check hose before each use of barbecue for nicks, cracking, abrasions or cuts. If the hose is found to be unserviceable, do not use the barbecue. Replace using only Weber® authorised replacement parts. **Contact the Customer Service Representative in your area using the contact information on our web site. Log onto [www.weber.com](http://www.weber.com).**
- ⚠ **CAUTION: If the barbecue gas hose is damaged in any way or leaking, do not use the barbecue.**
- Inspect the burner for the correct flame pattern (see "Burner Flame Pattern" section). Clean, if necessary, according to the procedures outlined in this section.
- Check all gas fittings for leaks (See "Check For Gas Leaks" section).

## PERIODIC CLEANING

To remove ashes from the bowl, move control rod (1) side to side so damper blades sweep ashes through the bowl vents and into the ash catcher.

⚠ **CAUTION: Be sure the burner is OFF and the barbecue is cool before cleaning.**

Do not enlarge burner slots when cleaning.

### To clean burner:

- Brush the outside of the burner tube (2) and the burner slot (3) section with a wire brush.

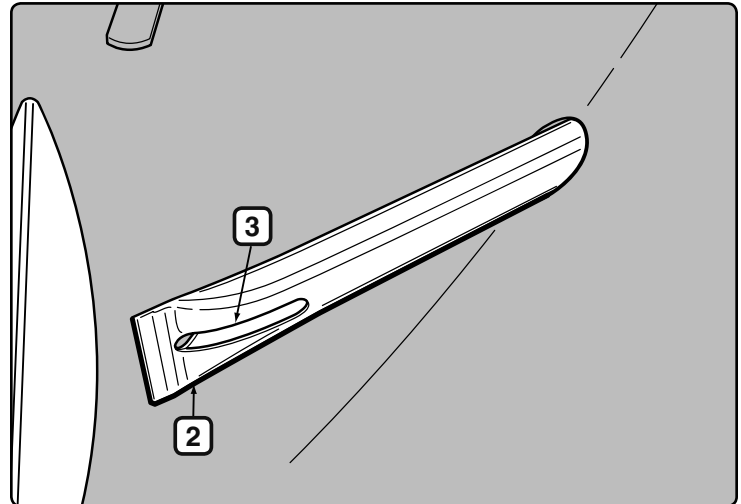
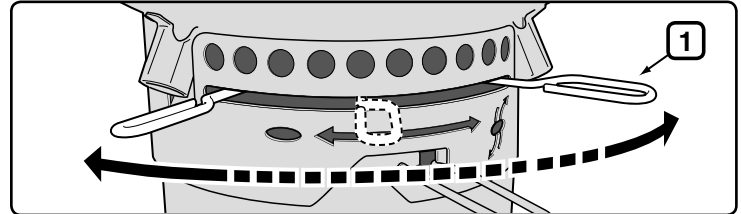
⚠ **CAUTION: Do not enlarge the burner slots or the gas orifice when cleaning.**

### To clean kettle:

- While lid is warm, wipe the inside with a paper towel to prevent grease build-up.
- For outer surfaces use a warm soap-and-water solution and rinse well with clear water.

**For a more thorough cleaning** (to be done at least once a year):

- Remove ashes after coals are fully extinguished.
- Remove the grates and Char-Baskets™.
- Wipe out with paper towels. Wash with a mild detergent and water. Rinse well with clear water and wipe dry.



## STORAGE

- When the Performer Grill is stored indoors, the gas supply must be disconnected and the LP tank stored outdoors in a well-ventilated space.
- LP tanks must be stored outdoors in a well-ventilated area out of the reach of children and must not be stored in a building, garage or any other enclosed area.
- After a period of storage and/or non-use, the barbecue should be checked for gas leaks and any obstructions in the burner tube before using (see "Maintenance" section).
- Check that the areas around the tank, hose and burner assembly are free from debris that might obstruct the flow of gas or air before use.



**INSECT ALERT**

Your Performer Grill, as well as any outdoor gas appliance, is a target for spiders and insects. They can nest in the venturi section (1) of the burner tube causing gas to flow back out of the air shutter.

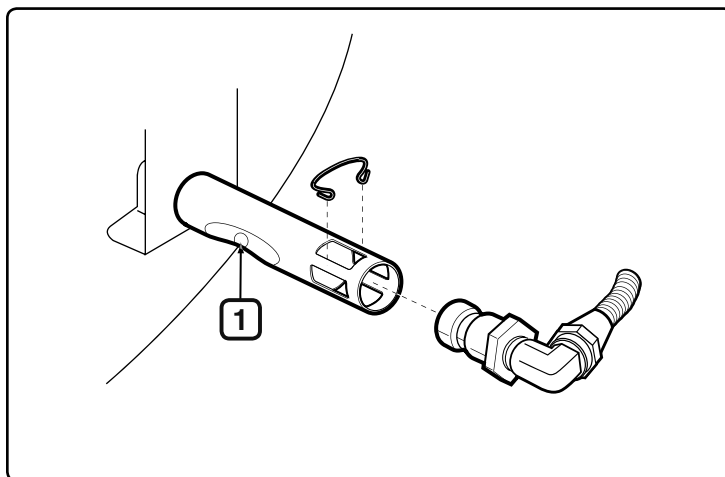
This could result in a fire in and around the burner tube under the bowl panel. It can cause serious damage to your barbecue, rendering it unsafe to operate.

We strongly recommend that you inspect and clean the burner tube at least once a year, or if any of the following symptoms occur:

- A) The smell of gas in conjunction with the burner flames appearing very yellow and lazy.
- B) Burner makes popping noises.

**⚠ DANGER**

**Failure to correct these symptoms may result in a fire, which can cause serious bodily injury or death and may cause damage to property.**

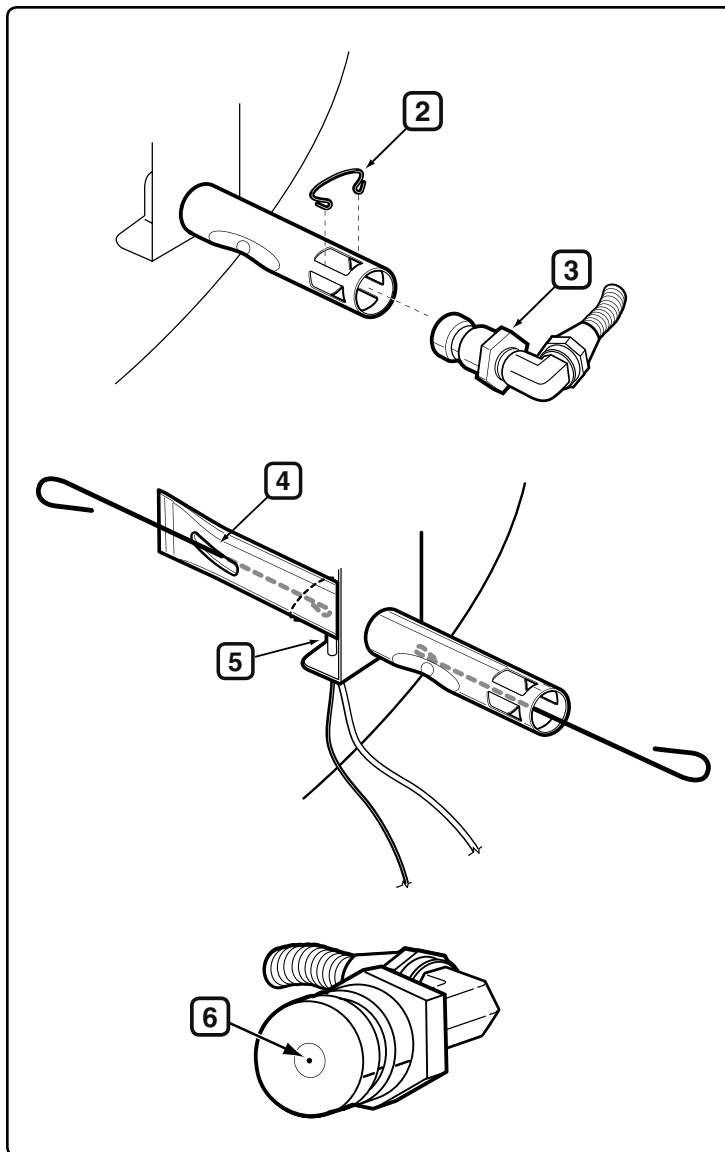


**INSPECTING AND CLEANING THE BURNER**

- A) Turn gas to OFF.
- B) Remove the CharBin™ storage container.
- C) Remove orifice clip (2) and hose fitting (3) from the burner tube.
- D) Look inside the burner with a torch.
- E) Clean the inside of the burners with the wire matchlight holder (provided). Use the wire to clean the air shutter area, the venturi section, and the burner slots (4) on the inside of the bowl. Be careful when inserting the burner cleaning tool not to damage the igniter electrode (5).
- F) Recheck with flashlight to see that there are no obstructions.
- G) If necessary, surface of hose fitting can be cleaned with a wire brush. The orifice (6) can be cleaned with a small pin.

**⚠ CAUTION: Do not enlarge the orifice when cleaning.**

- H) Reassemble by reversing steps B and C.

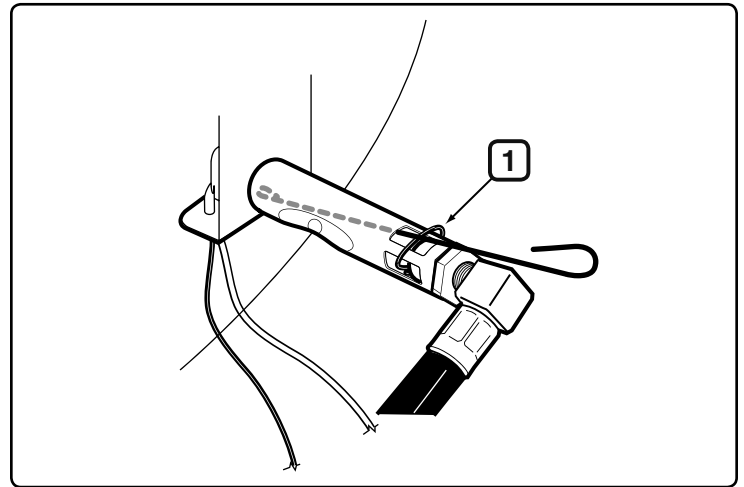


### PERIODIC QUICK CLEANING

We recommend that you periodically brush the outside of the burner slots with a wire brush and clean the burner tube through the combustion air vent with the matchstick holder we have provided.

This can be done by locating the burner combustion air vents (1) underneath the bowl bracket and inserting the tool through each combustion air vent, rotating the tool. Be careful when inserting the matchstick holder not to damage the igniter electrode.

**⚠ CAUTION: It is important to increase the frequency of this cleaning procedure during the spring and summer months.**



### ELECTRONIC IGNITION INSPECTION

If the electronic ignition system fails to ignite, be sure there is gas flow by attempting to match light your burners. Refer to "MANUAL LIGHTING." If match lighting is successful, the problem lies in the electronic ignition.

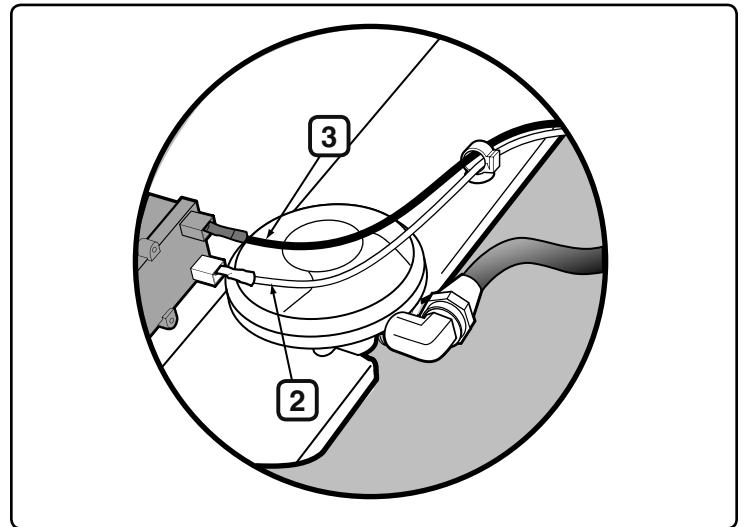
**⚠ WARNING: Gas control and supply valve should be in the OFF position.**

- Verify that the AAA battery (alkaline only) is in good condition and installed correctly (1). Some batteries have a plastic protective wrap around them. This plastic must be removed. Do not confuse this plastic with the battery label.
- Check that both the white (2) and black (3) ignition wires are attached properly.
- Check that the electronic ignition button is working by listening and looking for sparks at burner.
- Check to see if the igniter is loose in the frame. Tighten if necessary; see step "Install" for the correct procedure.

#### Replace Battery If Necessary

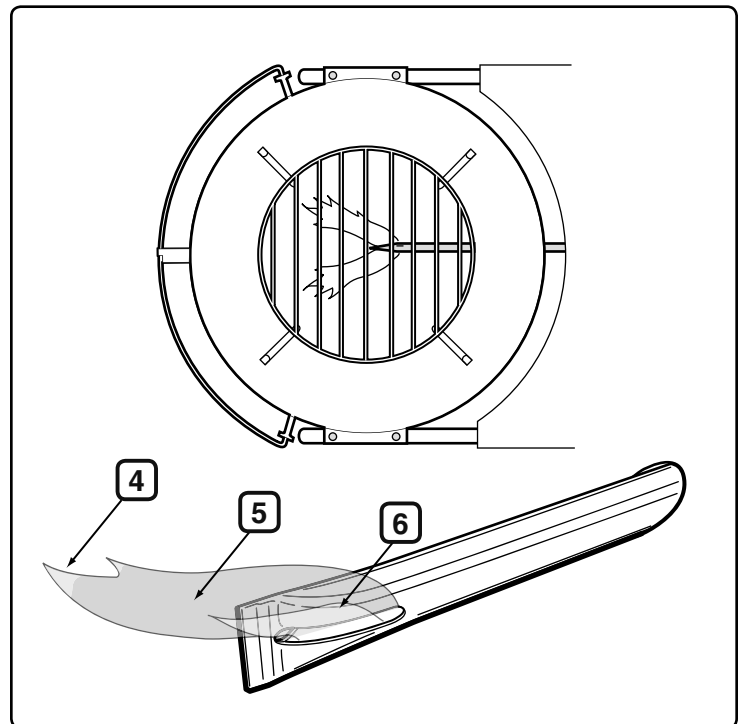
*AAA alkaline battery only.*

**If the electronic ignition system still fails to light, contact the Customer Service Representative in your area using the contact information on our web site. Log onto [www.weber.com](http://www.weber.com).**



### BURNER FLAME PATTERN

The burner has been factory set for the correct air and gas mixture. The correct flame pattern should have yellowish tips (4) dark blue in the middle (5), and light blue at the burner tube (6). If the flames do not appear as shown, or if "popping" noises occur, follow the burner cleaning procedures.





**⚠ ATTENTION: This product has been safety-tested and is only certified for use in a specific country. Refer to country designation located on outside of box.**

These parts may be gas-carrying or gas-burning components. Please contact Weber-Stephen Products LLC Customer Service Department for genuine Weber-Stephen Products LLC replacement part(s) information.

**⚠ WARNING: Do not attempt to make any repair to gas-carrying or gas-burning components without contacting Weber-Stephen Products LLC Customer Service Department. Your actions, if you fail to follow this product warning, may cause a fire or an explosion resulting in serious personal injury or death and damage to property.**

**This symbol indicates that the product cannot be disposed of with household refuse. For instructions regarding proper disposal of this product in Europe, please visit [www.weber.com](http://www.weber.com)<sup>®</sup>, and contact the importer listed for your country. If you do not have internet access, contact your dealer for the importer's name, address and telephone number.**

When you decide to dispose of or discard your barbecue, all electrical components (e.g., rotisserie motor, batteries, ignition module, handle lights) must be removed and disposed of properly according to WEEE. They should be disposed of separately from the barbecue.



WEBER-STEPHEN PRODUCTS LLC  
[www.weber.com](http://www.weber.com)<sup>®</sup>

# PERFORMER® DELUXE

## Brikettigrillin Omistajan Opas

Kokoonpano - p. 5

#54785



**LUE TÄMÄ OPAS ENNEN KAASUGRILLIN KÄYTTÖÄ**

### ⚠ VAARA

Jos tunnet kaasun hajua, toimi seuraavasti:

1. Katkaise kaasun syöttö laitteeseen.
2. Sammuta mahdolliset liekit.
3. Avaa kansi.
4. Jos haju tuntuu edelleen, pysy poissa laitteen luota ja ota välittömästi yhteys kaasuyhtiöön tai palokuntaan.

Kaasuvuoto saattaa aiheuttaa tulipalon tai räjähdyksen, joka voi aiheuttaa vakavia vammoja tai kuoleman tai vahingoittaa ympäristöä.

### ⚠ VAROITUS:

1. Älä säilytä tai käytä bensiiniä tai muita syttyviä höyryjä tai nesteitä tämän tai minkään muun laitteen läheisyydessä.
2. Kytkemätöntä kaasusäiliötä ei saa säilyttää tämän tai minkään muun laitteen läheisyydessä.

⚠ **VAROITUS:** Noudata kaikkia tämän oppaan vuodontarkistusohjeita tarkasti ennen grillin käyttöä. Toimi näin, vaikka myyjä olisi koonnut grillin valmiiksi.

⚠ **VAROITUS:** Älä yritä sytyttää Weber®-kaasugrillia, ennen kuin olet lukenut ohjeet tämän oppaan kohdasta Sytyttäminen.

### TIETOJA ASENTAJALLE:

Tämän oppaan on jäätävä omistajalle ja se on säilytettävä tulevaa käyttöä varten.

**VAIN ULKOKÄYTTÖÖN.**

JOS TÄMÄN OPPAAN SISÄLTÄMIÄ VAARA-, VAROITUS- JA VAROVAISUUSOHJEITA EI NOUDATETA, SEURAUKSENA VOI OLLA VAKAVA VAMMA TAI KUOLEMA, TULIPALO TAI OMAISUUTTA VAHINGOITAVA RÄJÄHDYS.

- △ TURVAMERKINNÄT ( △ ) ilmaisevat tärkeitä TURVALLISUUSTIETOJA.
- △ Merkkisanoja VAARA, VAROITUS tai NOUDATA VAROVAISUUTTA käytetään TURVASYMBOLIN yhteydessä.
- △ VAARA ilmaisee vakavinta vaaraa.
- △ Lue tässä omistajan oppaassa olevat turvallisuustiedot huolellisesti ennen grillin käyttöönottoa.

#### △ VAARAT

- △ Jos tämän oppaan sisältämiä vaara-, varoitus- ja varovaisuusohjeita ei noudateta, seurauksena voi olla vakava ruumiillinen vamma tai kuolema, tulipalo tai omaisuutta vahingoittava räjähdys.
- △ Älä käytä sisätiloissa! Grilli on tarkoitettu vain ulkokäyttöön. Sisätiloissa voi kerääntyä myrkyllisiä höyryjä, mikä voi aiheuttaa vakavia vammoja tai kuoleman.
- △ Käytä tätä grilliä vain ulkona hyvin tuulettuvassa paikassa. Älä käytä grilliä autotallissa, rakennuksessa, katoksessa tai muussa suljetussa tilassa.
- △ Älä käytä tätä grilliä syttyvän rakenteen alla.
- △ Väärin tehty kokoonpano voi olla vaarallinen. Noudata tämän oppaan kokoamisohjeita. Älä käytä grilliä, jos kaikki osat eivät ole paikoillaan. Varmista ennen grillin sytyttämistä, että tuhkaneräysastia on kiinnitetty oikein grillin alla oleviin jalkoihin tai että tilava tuhkaneräysastia on paikallaan.
- △ Älä lisää sytytysnestettä tai sytytysnesteeillä kyllästettyjä brikettejä kuumille tai lämpimille briketeille. Sulje sytytysnestepullo käytön jälkeen ja aseta se turvallisen välimatkan päähän grillistä.
- △ Älä milloinkaan käytä bensiiniä, sytytysnestettä tai alkoholia brikettien kanssa. Älä koskaan käytä minkäänlaista itsestäänsyttyvää brikettiä.
- △ Ole huolellinen grilliä käyttäessäsi. Se kuumenee käytön aikana eikä sitä saa jättää käytön aikana ilman valvontaa.
- △ Älä jätä vauvoja, lapsia tai eläimiä kuuman grillin lähelle ilman valvontaa.
- △ Älä yritä siirtää kuumaa grilliä.
- △ Älä käytä grilliä 1,5 metriä lähempänä palavaa materiaalia. Palavia materiaaleja ovat esimerkiksi käsitellyt puupinnat, kuistit tai terassit.
- △ Palavia materiaaleja ei koskaan tulisi olla 60 cm lähempänä grillin etu- ja takaosia tai sivuja.
- △ Huolehdi siitä, että paistoalueella ei ole syttyviä höyryjä tai nesteitä, kuten bensiiniä tai alkoholia, eikä muita syttyviä materiaaleja.
- △ Älä poista tuhkaa, ennen kuin kaikki briketit ovat palaneet loppuun ja sammuneet.
- △ Aseta briketit aina Char-Basket™-brikettisäiliöihin tai alemman brikettiritilän päälle. Älä laita brikettejä suoraan grillin pohjalle.
- △ Älä käytä grillaamisen tai grillin sytyttämisen yhteydessä vaatteita, joissa on väljät hihat.
- △ Älä kumarru grillin päälle kun sytytät kaasupoltinta.
- △ Älä käytä grilliä kovalla tuulella.
- △ Älä käytä grilliä kaasuvuodon aikana.
- △ Älä käytä kaasuvuotojen tarkistuksessa liekkiä.
- △ Mikäli keitin sammuu käytön aikana, sulje säiliön venttiili. Poista kansi ja odota viisi minuuttia ennen kuin yrität sytyttää kaasuliekkin uudelleen. Noudata tämän oppaan sytytysohjeita.
- △ Älä yritä irrottaa kaasusäädintä tai mitään kaasuliitintä säiliöstä, kun grilli on käytössä.
- △ Käytä vain grillisi mukana toimitettua nestekaasusäädintä.

#### △ VAROITUKSET

- △ Noudata omaa grillityyppiäsi koskevia säätimen kytkentäohjeita.
- △ Älä säilytä ylimääräistä tai irrotettua kertakäyttöistä nestekaasupatruunaa grillin alla tai lähellä.
- △ Pidä grilli aina vakaalla pinnalla, etäällä syttyvistä materiaaleista.
- △ Älä aseta grillin suojaheitettä tai mitään syttyvää grillin alla olevaan säilytystilaan tai sen päälle.
- △ Poista aina kansi ennen kaasupoltin sytyttämistä käsin tai sytyttimellä. Kannen pitää olla auki kunnes briketit ovat täysin syttyneet.
- △ Älä koskaan tarkista koskettamalla, ovatko brikettiritilä, tuhka, briketit tai grilli kuumia.
- △ Älä koskaan käytä laavakiviä tässä grillissä.
- △ Älä käytä vettä liekkien leimahtelun hillitsemiseen tai brikettien sammuttamiseen, koska se voi vahingoittaa grillin posliiniemalointia. Sulje vain alailmanottoaukot ja sulje kansi.
- △ Sammuta briketit ruoanlaiton jälkeen. Sulje kaikki ilmanottoaukot kannen sulkemisen jälkeen.
- △ Käytä aina grillikiintaita ruoanlaiton, ilmanottoaukkojen säätämisen, brikettien lisäämisen ja lämpömittarin tai kannen käsittelyn yhteydessä.
- △ Käytä kunnollisia grillausvälineitä, joissa on pitkät, kuumuudelta suojaavat kahvat.
- △ Joissakin malleissa on Tuck-Away™-kannenpidike. Tuck-Away™-kannenpidike pitää kannen paikallaan, kun käännät tai tarkastelet ruokaa. Älä käytä Tuck-Away™-kannenpidikettä kahvana, kun nostat tai siirrät grilliä. Älä aseta kuumaa kantta matolle tai nurmikolle. Älä ripusta kantta grillin kahvaan.
- △ Älä jätä kuumia brikettejä paikkaan, jossa niiden päälle voidaan astua tai jossa ne voivat aiheuttaa palovaaran. Älä heitä tuhkaa tai brikettejä pois ennen kuin ne ovat sammuneet. Älä varastoi grilliä ennen kuin tuhka ja briketit ovat sammuneet.

- ⚠ Käsittely ja säilytys kuumia sähköisiä sytyttimiä varovasti.
- ⚠ Pidä sähköjohdot etäällä grillin kuumista pinoista ja kulkureiteiltä.
- ⚠ Kun grilli on ollut säilytyksessä ja/tai poissa käytöstä, tarkista mahdolliset kaasuvuodot ja polttimen tukokset ennen käyttöä. Tämä opas sisältää ohjeet tarkistusta varten.
- ⚠ Jos yrität käyttää maakaasua tässä grillissä, aiheutat vaaran ja takuu raukeaa.
- ⚠ Kolhiintunut tai ruostunut nestekaasupatruuna voi olla vaarallinen. Pyydä nestekaasun toimittajaasi tarkastamaan se. Älä käytä kertakäyttöistä nestekaasupatruunaa, jonka venttiili on vaurioitunut.
- ⚠ Vaikka kertakäyttöinen nestekaasupatruuna vaikuttaa tyhjältä, siinä voi silti olla vielä kaasua. Kuljeta ja säilytä kertakäyttöinen nestekaasupatruuna tämän mukaisesti.
- ⚠ Jos näet, haistat tai kuulet kaasun vuotavan kertakäyttöisestä nestekaasupatruunasta:
  1. Siirry pois nestekaasupatruunan luota.
  2. Älä yritä korjata vikaa itse.
  3. Kysy neuvoa pelastuslaitokselta.

#### ⚠ NOUDATA VAROVAISUUTTA

- ⚠ Jos grillin pohja vuorataan alumiinifoliolla, ilman virtaus estyy. Käytä sen sijaan tiputusastiaa, johon neste valuu lihasta käytettäessä epäsuoraa menetelmää.
- ⚠ Jos grilliritilä puhdistetaan tai tuhkaa poistetaan terävillä välineillä, pinta vahingoittuu.
- ⚠ Jos grilliritilöitä tai itse grilliä puhdistetaan syövyttävillä pesuaineilla, pinta vahingoittuu.
- ⚠ Grilli on puhdistettava huolellisesti säännöllisin väliajoin.

## TAKUU

Weber-Stephen Products LLC (Weber®) takaa täten tämän Weber®-kaasugrillin ALKUPERÄISELLE OSTAJALLE, että grillissä ei ole materiaali- tai valmistusvikoja ostopäivän jälkeen seuraavasti:

Grilli-/brikettiritilät	2 vuotta
Aluminoituiden levyt / pinnoitetut osat	
One-Touch™-puhdistusjärjestelmä	5 vuotta
Ruostumattoman teräksinen	
One-Touch™-puhdistusjärjestelmä	10 vuotta
Pohja ja kansi, ruoste/puhkipalaminen	10 vuotta
Nylonkahvat	10 vuotta
Kesto-/kertamuoviset osat (Performer®):	10 vuotta, haalistuminen pois lukien
	2 vuotta
Kaikki muut osat	2 vuotta

koottuna ja käytettynä grillin mukana toimitettujen painettujen ohjeiden mukaisesti.

Weber voi pyytää riittävää todistusta ostopäivämäärästä. SÄILYTÄ TÄMÄN VUOKSI OSTOKUITTI TAI LASKU.

Tämä rajoitettu takuu koskee sellaisten osien korjausta tai vaihtoa, jotka osoittautuvat viallisiksi normaalissa käytössä ja huollossa ja joiden Weber toteaa tarkastuksen jälkeen olevan viallisia. Ennen osien lähettämistä kysy alueesi asiakaspalvelusta. Yhteystiedot ovat kotisivuillamme. Jos Weber vahvistaa vian ja hyväksyy korvausvaatimuksen, Weber korvaa kyseiset osat veloituksetta. Jos viallisia

osia on palautettava, kuljetuskulut on maksettava etukäteen. Weber palauttaa osat ostajalle ja maksaa rahti- tai postikulut etukäteen.

Tämä rajoitettu takuu ei kata vikoja tai käyttöongelmia, jotka johtuvat onnettomuudesta, väärinkäytöstä, virheellisestä käytöstä, muuntamisesta, väärin soveltamisesta, vandalismista, virheellisestä asennuksesta tai virheellisestä ylläpidosta tai huollosta tai normaalin rutiinihuollon laiminlyönnistä, sisältäen hyönteisten polttimien aiheuttamat vauriot omistajan oppaassa kuvatulla tavalla. Tämä rajoitettu takuu ei kata rappeutumista tai vaurioita, jotka johtuvat sellaisista ankarista sääolosuhteista kuin rakeista, hurrikaaneista, maanjäristyksistä tai tornadoista tai värin lähtemisestä kemikaalialitistuksen vuoksi joko suoraan tai ilmakan välityksellä.

Tässä mainitun lisäksi ei ole muita takuita, ja kaikki sovellettavat epäsuorat takuut soveltuvuudesta kaupankäynnin kohteeksi ja sopivuudesta tiettyyn tarkoitukseen rajoittuvat tämän kirjallisen rajoitetun takuun kattamaan ajanjaksoon. Jotkin maat eivät salli rajoituksia epäsuoran takuun kestolle, joten tämä rajoitus ei ehkä koske ostajaa.

Weber ei ole vastuussa erityisistä, epäsuorista tai seurauksena olevista vahingoista. Jotkin maat eivät salli välillisten tai seurauksena olevien vahinkojen poissulkemista tai rajoittamista, joten tämä rajoitus tai poissulkeminen ei ehkä koske ostajaa.

Weber ei valtuuta yhtään henkilöä tai yritystä sitoutumaan sen puolesta mihinkään velvoitteeseen tai vastuuseen, joka liittyy laitteiden myyntiin, asennukseen, käyttöön, poistoon, palautukseen tai vaihtamiseen, eivätkä tällaiset sitoumukset sido Weberiä.

Tämä takuu koskee vain vähittäiskaupassa myytyjä tuotteita.

**Käy osoitteessa [www.weber.com](http://www.weber.com), valitse maa ja rekisteröi grillisi jo tänään.**

### VAIHTOLETKU, SÄÄDIN JA VENTTIILIKOKOONPANO

- ⚠ **TÄRKEÄÄ:** Suosittelemme Weber-kaasugrillin kaasuletkukokoonpanon vaihtamista 5 vuoden välein. Joissakin maissa edellytetään kaasuletkun vaihtamista useammin kuin 5 vuoden välein, jolloin tätä on noudatettava.

Vaihtoletkua, säädintä ja venttiilikokoonpanoa varten ota yhteys oman alueesi asiakaspalveluun. Yhteystiedot ovat kotisivuillamme. Siirry osoitteeseen [www.weber.com](http://www.weber.com).

### MAA

Tanska, Ruotsi, Norja, Suomi, Englanti, Alankomaat, Iso-Britannia, Ranska, Espanja, Portugali, Belgia, Irlanti, Kreikka, Luxemburg, Italia, Saksa, Itävalta

### KAASUN TYYPI JA PAINE

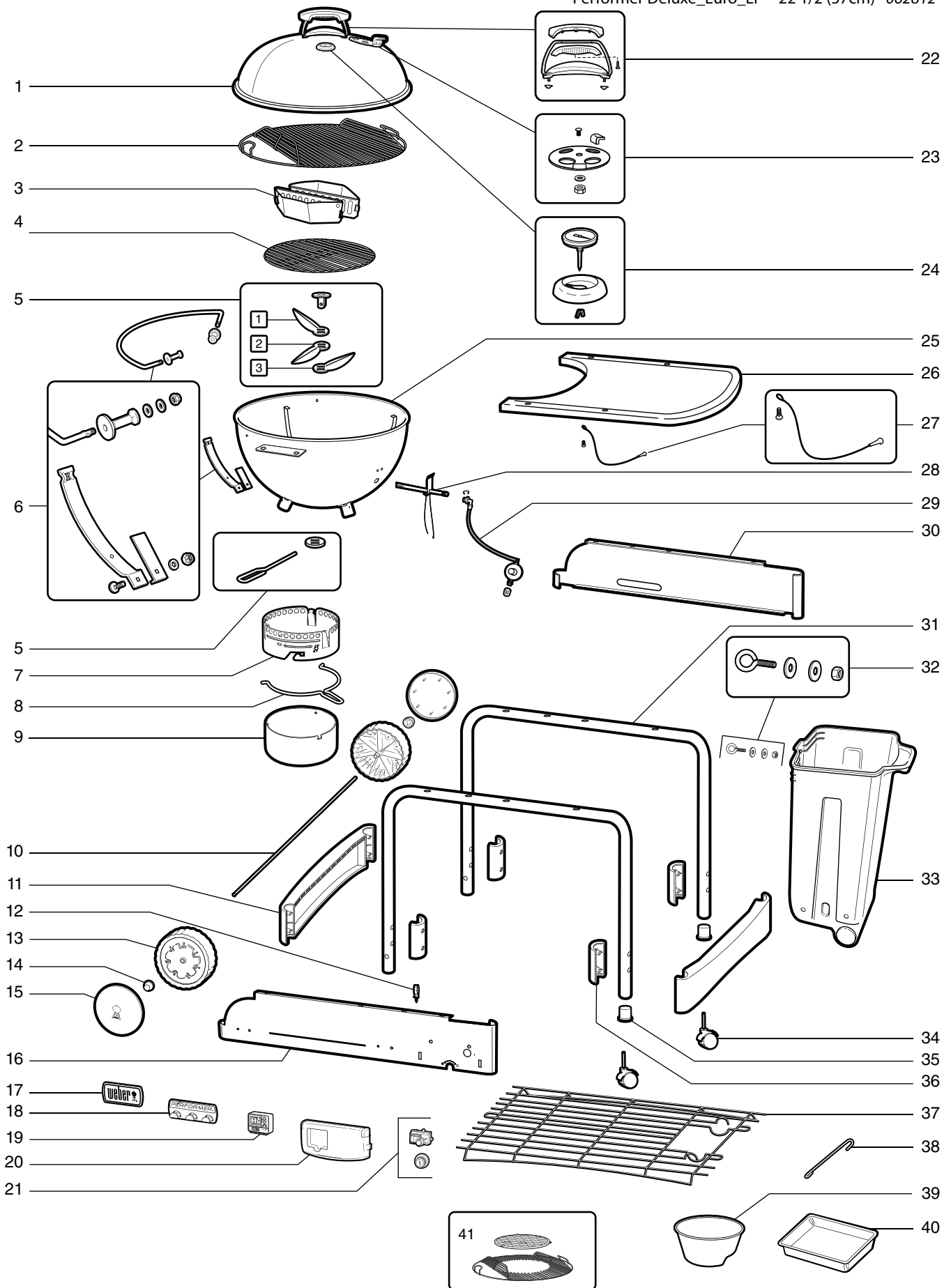
I<sub>3BP</sub> - 29 mbar

#### KULUTUSTIEDOT

Polttimen sytyttäminen, enintään

Propaani/ butaani-seos	kW (Hs)	gm (Hs)
	2,6	192

Performer Deluxe\_Euro\_LP - 22 1/2 (57cm) 062812





- |                                          |                                   |                                                |
|------------------------------------------|-----------------------------------|------------------------------------------------|
| 1. Kansi                                 | 15. Pyöränsuojus                  | 29. Letku ja säädin sekä suuttimen lukkorengas |
| 2. Saranoitu grilliritilä                | 16. Etulevy                       | 30. Takaseinä                                  |
| 3. Char-Baskets™                         | 17. Logolevy                      | 31. Rungon jalka                               |
| 4. Grilliritilä                          | 18. Työkalupidikkeet              | 32. CharBin™-osat                              |
| 5. One-Touch™ -Puhdistusjärjestelmä      | 19. Digitaalinen Paistoajastin    | 33. CharBin™                                   |
| 6. Kannenpidikkeen ja alatuen kokoonpano | 20. Kaasusäätimen kansi           | 34. Pyörät                                     |
| 7. Tuhkankeräysastian rengas             | 21. Sytytysnappi / Sytytysyksikkö | 35. Pyöräsovitteet                             |
| 8. Tuhkankeräysastian kahva              | 22. Kannen kahvakokoonpano        | 36. Jalan runkotuen kiinnike                   |
| 9. Tilava tuhkankeräysastia              | 23. Kannen vaimenninkokoonpano    | 37. Pohjateline                                |
| 10. Akseli                               | 24. Lämpömittari                  | 38. Sytytystikun Pidike                        |
| 11. Jalan runkotuki                      | 25. Pohja                         | 39. Brikettiastia                              |
| 12. Sytytysyksikön johdon pidike         | 26. Työtaso                       | 40. Kertakäyttöinen tiputusastia               |
| 13. Pyörä                                | 27. CharBin™ kiinnitysketju       |                                                |
| 14. Pölysuojus                           | 28. Poltinskykkö                  |                                                |

## VOI SISÄLTÄÄ:

41. Paahtoritilä saranoidulla grilliritilällä

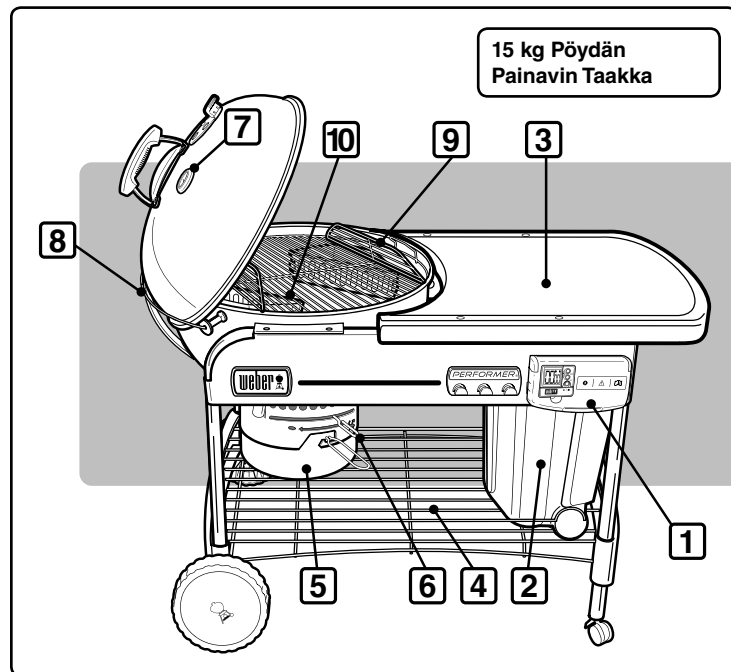
Jos tarvitset lisätietoja grillistä tai sen turvallisesta käytöstä, käy Internet-osoitteessa [www.weber.com](http://www.weber.com).

- Nämä ohjeet sisältävät vähimmäisvaatimukset Weber® -grillin kokoamista varten. Lue ohjeet huolellisesti, ennen kuin alat käyttää Weber®-grilliä. Väärin koottu grilli voi olla vaarallinen.
- Ei sovi lasten käyttöön.
- Tämä Weber®-grilli on suunniteltu käytettäväksi ainoastaan propaani- tai propaani/butaani kaasuseoksen avulla. Älä käytä maakaasua. Venttiili ja säädin sopivat vain propaani- tai propaani/butaanikaasuseokselle.
- Tätä Weber®-kaasugrilliä ei ole tarkoitettu kaupalliseen käyttöön.

## OMINAISUUDET

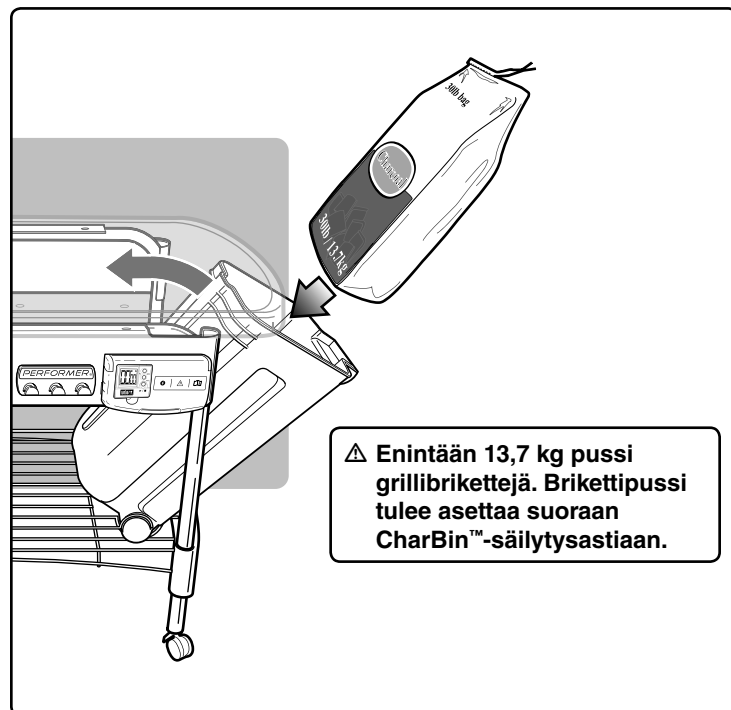
- A) Ainutlaatuinen Touch-N-Go™-kaasusytytysjärjestelmä saa brikkien sytyttämisen sujumaan ongelmitta (1). Pitämällä napin painettuna järjestelmän kaasupoltin syttyy, sytyttäen brikit puolestasi. Ei vaarallisten sytytysnesteiden käyttöä tai säilytystä, eikä enää sytytysnesteen jälkimakua.
- B) CharBin™-säilytysastiaan voi sijoittaa enintään 13,7 kg painoisen brikkipussin (2). Brikkipussi tulee asettaa suoraan CharBin™-säilytysastiaan.
- C) Thermostat-työtaso toimii hyvänä työalustana ja peittää CharBin™-säilytysastian pitäen brikit kuivina (3).
- D) Kätevä pohjateline säilytystä varten (4).
- E) Tilava tuhkaneräysastia lukittuu paikalleen estäen tuhkan lentelyn (5).
- F) One-Touch®-puhdistusjärjestelmä pyyhkii helposti pois kaikki tuhkat tai avaa ja sulkee ilmanottoaukot (6).
- G) Lämpömittari valvoo kypsennyslämpötilaa grillin sisällä (7).
- H) Tuck-Away™-kansi liukuu taakse ruostumattomaan teräspidikkeeseen ja toimii tuulensuojana brikkien sytyttämisen aikana (8).
- I) Grilliritilän saranoidut osat kääntyvät auki, jolloin brikkitejät tai puulastuja voi helposti lisätä grillaamisen aikana (9).
- J) Char-Basket™-brikkipidikkeet mahdollistavat epäsuoran ja suoran kypsennysmahdollisuuden puulla tai brikkiteillä (10).

- Alkoholin ja/tai reseptilääkkeiden tai reseptivapaiden lääkkeiden käyttö saattaa heikentää kykyä koota laite tai käyttää sitä turvallisesti.
- Tätä Weber®-grilliä ei ole tarkoitettu lämmittimeksi eikä sitä saa koskaan käyttää lämmittimenä.
- Älä jätä Weber®-grilliä ilman valvontaa. Pidä lapset ja kotieläimet aina poissa Weber®-kaasugrillin luota.
- Varmista, että säädintaulun alla olevassa tilassa ja pohjalevyllä ei ole roskia, jotka voisivat haitata palo- tai tuuletusilman virtausta.
- Käyttäjä ei saa muuttaa mitään valmistajan sinetöimiä osia.
- Laitteen muokkaaminen voi olla vaarallista.



## KÄYTTÖALUE

- ⚠ **VAROITUS:** Käytä tätä grilliä vain ulkona hyvin tuulettuvassa paikassa. Älä käytä grilliä autotallissa, rakennuksessa, katoksessa tai muussa suljetussa tilassa.
- ⚠ **VAROITUS:** Käden ulottuvilla olevat osat saattavat olla hyvin kuumia. Pidä pienet lapset etäällä.
- ⚠ Älä koskaan käytä grilliä syttyvän rakenteen alla.
- ⚠ Weber®-grilliä ei ole tarkoitettu asennettavaksi matkailuautoihin ja/tai veneisiin.
- ⚠ Älä käytä grilliä alle 60 cm etäisyydellä palavista materiaaleista grillin yläpuolella, takana tai sivuilla.
- ⚠ Koko grilli kuumenee käytettäessä. Älä jätä sitä ilman valvontaa.
- ⚠ Pidä kaikki sähköjohdot ja kaasuletku poissa kuumilta pinnoilta.
- ⚠ Huolehdi siitä, että paistoalueella ei ole syttyviä höyryjä tai nesteitä, kuten bensiiniä tai alkoholia, eikä muita syttyviä materiaaleja.
- ⚠ Älä siirrä laitetta käytön aikana. Anna grillin jäähtyä ennen sen liikuttelua.
- ⚠ Tätä laitetta ei ole tarkoitettu lämmittimeksi eikä sitä saa koskaan käyttää lämmittimenä.



**KERTAKÄYTTÖISEN NESTEKAASUPATRUUNAN KYTKEMINEN**

Käytä kertakäyttöisiä nestekaasupatruunoita, joiden vähimmäiskapasiteetti on 430 g ja enimmäiskapasiteetti 460 g. Patruunassa on oltava EN417-venttiili kuvan mukaisesti. Eräs mahdollinen patruunatyypä on Primus-malli 2202 tai kertakäyttöinen Weber Q Gas -patruuna.

**⚠ NOUDATA VAROVAISUUTTA: Käytä ainoastaan säiliöitä, joissa on propania tai butaanin ja propanin seosta.**

Työnnä kertakäyttöinen nestekaasupatruuna säätimeen ja kierrä myötäpäivään, kunnes patruuna on tiukasti kiinni.

**⚠ VAROITUS: Kiristä vain käsin. Liiallinen voimankäyttö voi vahingoittaa säätimen liitäntää ja aiheuttaa vuodon tai kaasun virtauksen estymisen.**

**TARKISTA KAASUVUODOT:****⚠ VAARA**

**Älä käytä kaasuvuotojen tarkistuksessa tulen liekkiä. Varmista vuotojen tarkistuksen yhteydessä, että lähellä ei ole kipinöitä tai liekkejä. Kipinät tai liekit saattavat aiheuttaa tulipalon tai räjähdysten, joka voi aiheuttaa vakavia ruumiillisia vammoja tai kuoleman sekä vahingoittaa ympäristöä.**

Tarvitset seuraavat välineet: Kertakäyttöinen nestekaasupatruuna, saippuavettä ja räsy tai harja.

- Sekoita saippua veteen.
- Käännä kaasunsäädintä vastapäivään asentoon ON.
- Tarkista mahdolliset vuodot kastelemalla liitos saippuavedellä ja etsimällä kuplia. Jos kuplia muodostuu tai kupla kasvaa, kyseessä on vuoto.

**TARKISTA:**

A) Säätimen ja kertakäyttöisen nestekaasupatruunan liitäntä.

**⚠ VAROITUS: Jos liitännässä (1) on vuoto, poista kertakäyttöinen nestekaasupatruuna. Älä käytä grilliä. Käytä toista kertakäyttöistä nestekaasupatruunaa ja tarkista vuodot uudelleen saippuaveden avulla. Jos vuoto jatkuu nestekaasupatruunan uudelleen kiristämisen jälkeen, katkaise kaasu. **ÄLÄ KÄYTÄ GRILLIÄ.** Ota yhteys oman alueesi asiakaspalveluun. Yhteystiedot ovat kotisivuillamme. Siirry osoitteeseen [www.weber.com](http://www.weber.com)®.**

**TARKISTA:**

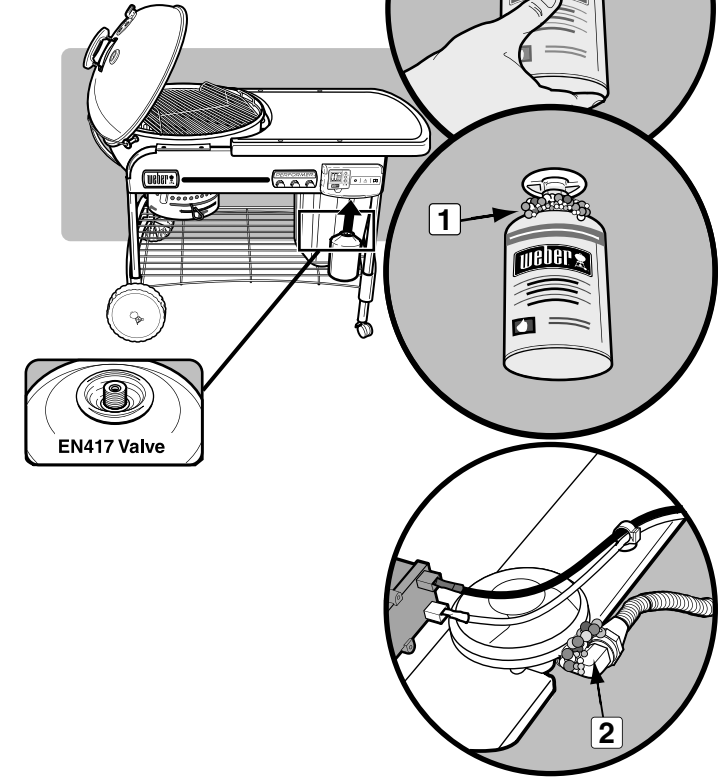
B) Venttiilin ja säätimen liitäntä.

**⚠ VAROITUS: Jos liitännässä (2) on vuoto, sammuta kaasu (OFF). **ÄLÄ KÄYTÄ GRILLIÄ.** Ota yhteys oman alueesi asiakaspalveluun. Yhteystiedot ovat kotisivuillamme. Siirry osoitteeseen [www.weber.com](http://www.weber.com)®.**

Kun olet tarkistanut mahdolliset vuodot, käännä kaasusäädin asentoon OFF säiliöltä ja huuhtelee liitännät vedellä.

**⚠ VAARA**

**Älä säilytä ylimääräistä nestekaasupatruunaa laitteen alla tai lähellä.**



## SYTYTTÄMINEN

## ⚠ VAARA

Avaa kansi ennen sytyttämistä. Älä käytä palavia nesteitä kuten bensiiniä, sytytysnestettä tai alkoholia tai minkäänlaista itsestäänsyttyvää brikettiä. Tämä koskee myös käsin sytyttämistä. Tämän ohjeen noudattamatta jättäminen voi aiheuttaa vakavan vamman tai kuoleman.

A) Nosta grillin kansi pois ennen kaasusytytyksen aloittamista.

⚠ **VAARA: Kaasua voi kerääntyä ja tämä voi aiheuttaa tulipalon tai räjähdysen, joka voi aiheuttaa vakavia vammoja tai kuoleman sekä omaisuusvahinkoja.**

B) Avaa alailmanottoaukot (1).

C) Aseta Char-Baskets™ polttimen (2) päälle.

D) Työnnä sisään kaasusäätimen kannen (3) kielekkeet ja avaa nostamalla.

E) Avaa kaasusäädintä (vastapäivään) vähintään kokonainen kierros (4).

⚠ **VAROITUS: Älä kumarru avoimen grillin päälle sytytettäessä.**

F) Paina ja pidä painettuna sytytysnappia, kunnes poltin syttyy (5).

⚠ **HUOMAA: Liekkiä voi olla vaikea havaita kirkkaalla säällä.**

G) Kun briketit ovat syttyneet (noin 5 minuutin kuluessa), käännä kaasusäätimen nuppia pois-asentoon (myötäpäivään), kunnes se on kiinni.

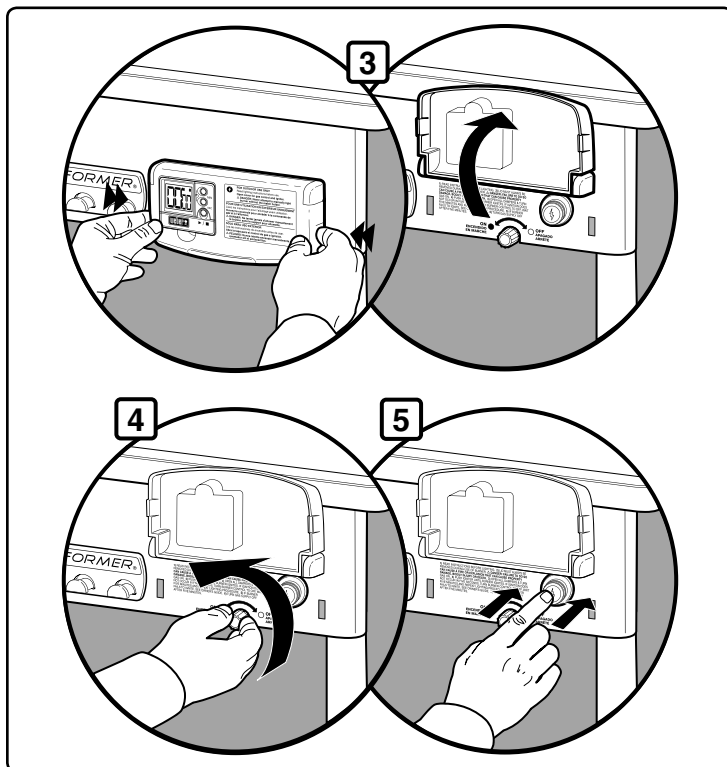
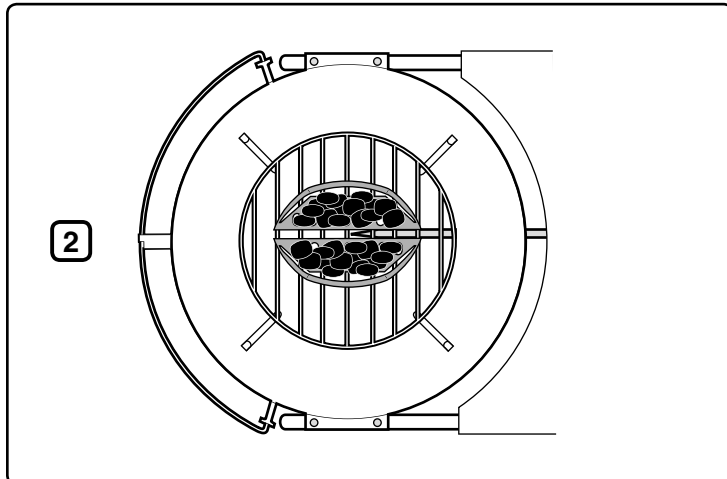
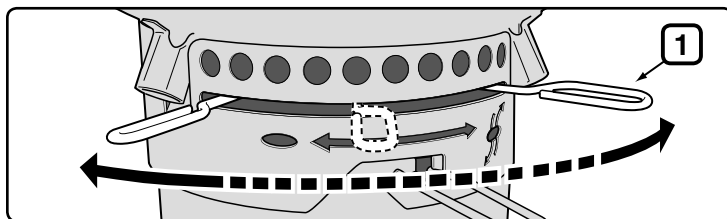
⚠ **HUOMAA: Varmista, että suljet kannen kunnolla.**

*Huomautus - kaasun pidempi käyttö lyhentää säiliön käyttöaikaa.*

H) Voit aloittaa grillauksen, kun briketeissä on kevyt harmaa tuhkapinta (noin 25-30 minuutin kuluessa).

## SAMMUTTAMINEN

Käännä kaasusäätimen nuppia pois-asentoon (myötäpäivään), kunnes se on kiinni.



## KÄSIN SYTYTTÄMINEN

⚠ **VAROITUS:** Älä yritä käsin sytyttämistä ilman tulitikunpidikettä.

⚠ **VAARA**

Avaa kansi ennen sytyttämistä. Älä käytä palavia nesteitä kuten bensiiniä, sytytysnestettä tai alkoholia tai minkäänlaista itsestäänsyttyvää brikettiä. Tämä koskee myös käsin sytyttämistä. Tämän ohjeen noudattamatta jättäminen voi aiheuttaa vakavan vamman tai kuoleman.

A) Nosta grillin kansi pois ennen kaasusytytyksen aloittamista.

⚠ **VAARA:** Kaasua voi kerääntyä ja tämä voi aiheuttaa tulipalon tai räjähdyksen, joka voi aiheuttaa vakavia vammoja tai kuoleman sekä omaisuusvahinkoja.

B) Avaa alailmanottoaukot (1).

C) Siirrä Char-Baskets™ pois polttimelta (2).

D) Työnnä sisään kaasusäätimen kannen (3) kielekkeet ja avaa nostamalla.

E) Aseta tulitikku tulitikunpidikkeeseen (4). Sytytä tulitikku.

F) Avaa kaasusäädintä (vastapäivään) vähintään kokonainen kierros (5).

G) Vie palava tulitikku polttimen aukon (6) takaosaan.

⚠ **VAROITUS:** Älä pidä kättäsi polttimen yläpuolella, kun sytytät käsin.

⚠ **VAROITUS:** Älä kumarru avoimen grillin päälle sytytettäessä.

⚠ **HUOMAA:** Liekkiä voi olla vaikea havaita kirkaalla säällä.

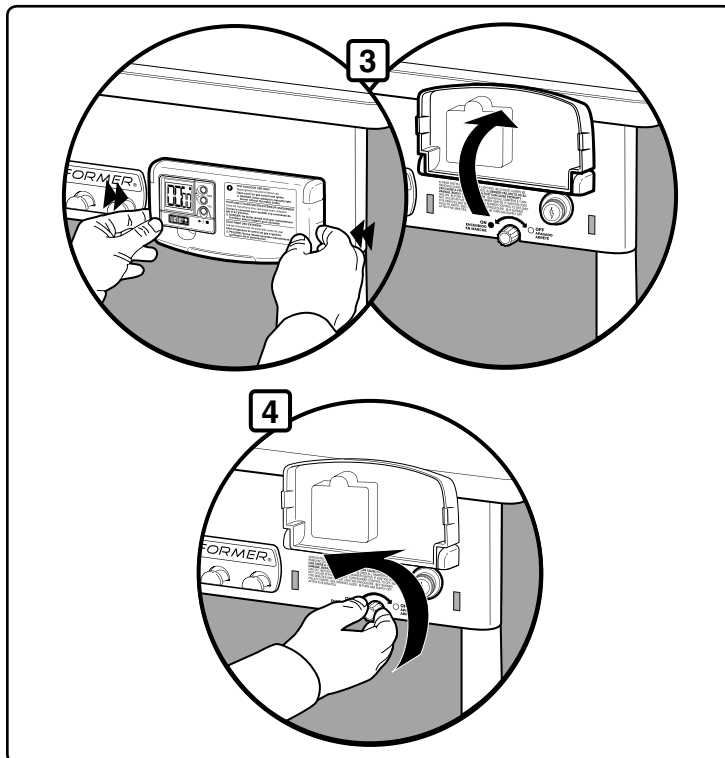
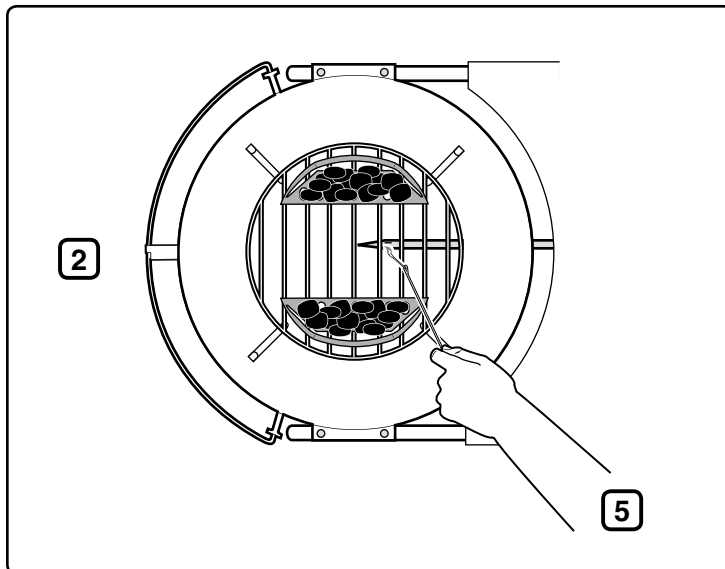
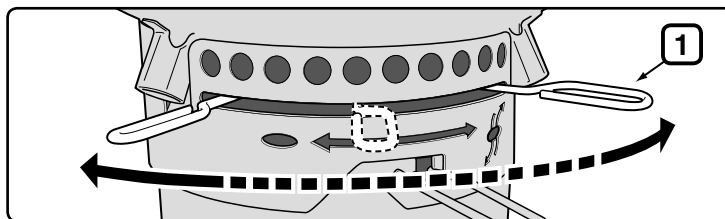
H) Käytä grillikintaita, kun siirät Char-Baskets™ polttimen päälle.

I) Kun briketit ovat syttyneet (noin 5 minuutin kuluessa), käännä kaasusäädintä (myötäpäivään), kunnes se on kiinni.

J) Voit aloittaa grillauksen, kun briketeissä on kevyt harmaa tuhkapinta (noin 25-30 minuutin kuluessa).

## SAMMUTTAMINEN

Käännä kaasusäätimen nuppia pois-asentoon (myötäpäivään), kunnes se on kiinni.



## AJASTIMEN TOIMINTA

Vedenpitävä digitaalinen paistoajastin sisältää kypsennysajan ajastuksen laskevasti ja nousevasti, minuuteissa ja sekunneissa.

### Laskevan ajastuksen asetus:

- Aseta minuutit **MIN**-painikkeella (1). Pitämällä painikkeen painettuna numerot vaihtuvat nopeasti (suurin asetus: 99 minuuttia (4)).
- Aseta sekunnit **SEC**-painikkeella (2). Pitämällä painikkeen painettuna numerot vaihtuvat nopeasti (suurin asetus: 59 sekuntia (5)).
- Paina **Start / Stop**: ► / ■ -painiketta (3).
- Kun asetettu aika päättyy, ajastin antaa hälytysäänen 30 sekunnin ajan ja käynnistää automaattisesti uuden laskennan asetetulla ajalla.

### Nousevan ajastuksen asetus:

- Paina **Start / Stop**: ► / ■ -painiketta. Nousevassa laskennassa näytössä on kulunut aika minuutti/sekunti-muodossa.
- Pysäytä ajastin painamalla painiketta uudelleen. (Suurin asetus: 99 minuuttia (4), 59 sekuntia (5)).

### Ajan tyhjennys:

- Paina sekä **MIN** että **SEC**: ◂ -painiketta samanaikaisesti (1)(2).

*Huomaus: Käytettäessä ympäristössä, jossa ajastin altistuu sähköstaattiselle purkaukselle, yksikön aika-asetus voi hävitä. Jos tämä tapahtuu, nollaa laite ja tee aika-asetus uudelleen.*

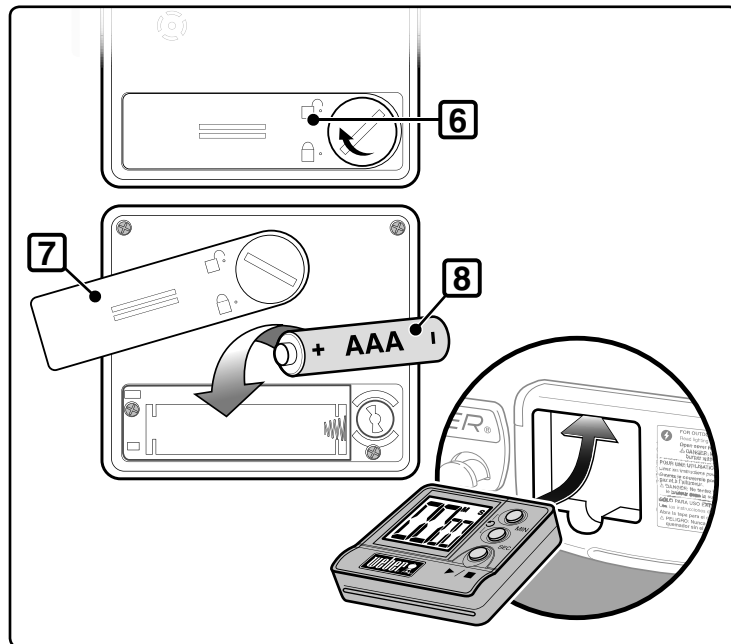
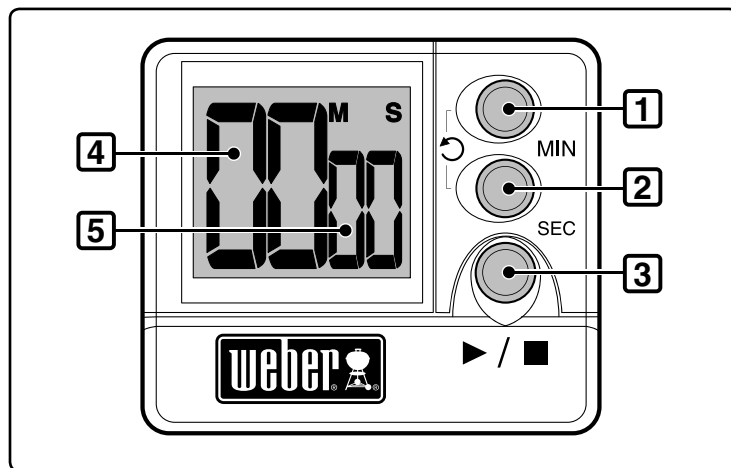
### Pariston asennus:

- Avaa paristoluukku ajastimen taustapuolelta (6) kiertämällä lukitusta myötäpäivään.
- Irrota paristoluukku ajastimesta (7).
- Vaihda AAA-paristo (8).
- Aseta paristoluukku paikoilleen.
- Lukitse paristoluukku kiertämällä lukitusta vastapäivään myötäpäivään.
- Pariston asennuksen jälkeen nestekidenäytöllä on lukema (0000).

### Hoito:

- Älä puhdista hiovilla tai syövyttävillä aineilla, jotka voisivat naarmuttaa laitteen osia ja syövyttää elektronisia piirejä.
- Älä kohdista laitteeseen suuria voimia tai iskuja äläkä altista sitä pölylle, kuumuudelle tai kosteudelle, koska nämä voivat aiheuttaa toimintahäiriöitä, lyhentää elektronikan käyttöikää, vaurioittaa paristoa ja osia.
- Älä peukaloi laitteen sisäisiä komponentteja. Muutoin laitteen takuu raukeaa ja paristolle ja sisäisille osille voi aiheutua tarpeettomia vaurioita.
- Älä altista laitetta liikaa suoralle auringonvalolle tai rankalle sateelle.
- Älä upota laitetta veteen.

**Digitaalinen paistoajastin toimii parhaiten, kun se pidetään sisätiloissa käyttökertojen välillä.**



ONGELMA	TARKISTA	RATKAISU
<b>Polttimen liekki näyttää keltaiselta tai oranssilta. Lisäksi tuntuu kaasun hajua.</b>	Tarkasta, ettei polttimessa ole tukoksia.	Puhdista poltin. (Katso kohta Huolto)
<b>Poltin ei syty tai liekki on matala.</b>	Onko säiliön nestekaasu vähissä tai lopussa?	Vaihda nestekaasusäiliö.
	Onko polttoaineletku taipunut tai taittunut?	Suorista letku.
	Sytyykö poltin tulitikulla?	Jos poltin syttyy tulitikulla, tarkista sytytysjärjestelmä.
	Onko letkun ja poltinputken liitäntä hyvä?	Kiinnitä kaasuletku poltinputkeen mukana toimitetun metallisen lukkorengkaan avulla. <b>⚠ VAARA: Älä käytä kaasusytytystä, jos lukkorengas puuttuu. Lukkorengaan puuttuminen voi aiheuttaa vakavan vamman tai kuoleman sekä omaisuusvahinkoja.</b> Ota yhteys asiakaspalveluun, niin saat uuden lukkorengkaan.
<b>Polttimen liekki palaa epätasaisesti.</b>	Onko poltin puhdas?	Puhdista poltin. (Katso kohta Huolto)
<b>Poltin ei syty sytytysnappia painettaessa.</b>	Varmista kaasun virtaus polttimissa yrittämällä sytytystä tulitikulla. Katso kohta "SYTYTYYS KÄSIN."	Jos sytytys onnistuu tulitikulla, ongelma on sytytysjärjestelmässä. Katso kohta "ELEKTRONISEN SYTYTYSJÄRJESTELMÄN TOIMINTA."
	Onko uusi paristo asennettu?	Tarkista, että paristo on kunnossa ja oikein asennettu. Katso kohta "ELEKTRONISEN SYTYTTIMEN TARKASTUS."
	Onko johtimet kytketty oikein sytytysyksikköön?	Varmista, että johtimet on työnnetty oikein sytytysyksikön liittimiin. Katso kohta "ELEKTRONISEN SYTYTYSJÄRJESTELMÄN TOIMINTA."
	Onko uuden pariston ympärillä muovikääre?	Poista muovikääre.
<b>Ajastin ei toimi.</b>	Onko uusi paristo asennettu?	Tarkista, että paristo on kunnossa ja oikein asennettu. Katso kohta "AJASTIMEN TOIMINTA."
<b>Kannen sisäpinta näyttää hilseilevän. (Muistuttaa hilseilevää maalia.)</b>	Kyseessä on kiinni paistunut rasva, joka on muuttunut hiileksi ja kuoriutuu pois. <b>TÄMÄ EI OLE VIKA.</b>	Puhdista huolellisesti. (Katso kohta Puhdistus)

Jos ongelma ei ratkea näitä ohjeita noudattamalla, ota yhteys oman alueesi asiakaspalveluun. Yhteystiedot ovat kotisivuillamme. Siirry osoitteeseen [www.weber.eu](http://www.weber.eu).

## HUOLTO

Kun grilliä ei ole käytetty vähään aikaan, on suositeltavaa tehdä seuraavat turvallisuuteen vaikuttavat huoltotoimet.

- Tarkista letku ennen jokaista käyttöä lovien, murtumien, kulumien tai viiltojen varalta. Älä käytä grilliä, jos letku on viallinen. Vaihda letku ainoastaan Weber®-valtuutettuun vaihtoletkuun. **Ota yhteys oman alueesi asiakaspalveluun.**

**Yhteystiedot ovat kotisivuillamme. Siirry osoitteeseen [www.weber.com](http://www.weber.com)®.**

### ⚠ HUOMAA: Jos grillin kaasuletku on millään tavalla vahingoittunut tai vuotaa, älä käytä grilliä.

- Varmista, että polttimen liekkimalli on oikeanlainen (katso kohta Polttimen liekkimalli). Puhdista tarvittaessa tämän osan ohjeiden mukaisesti.
- Tarkista kaikki kaasuliitännät vuotojen varalta (katso kohta Kaasuvuotojen tarkistaminen).

## SÄÄNNÖLLINEN PUHDISTAMINEN

Liikuttamalla säätötankoa (1) puolelta toiselle vaimennuslevyt pyyhkivät tuhkat grillin aukkojen läpi tuhkaneräysastiaan.

### ⚠ HUOMAA: Varmista ennen puhdistamista, että polttin on OFF-asennossa ja että grilli on jäähtynyt.

Älä suurena polttimen aukkoja puhdistuksen yhteydessä.

#### Polttimen puhdistaminen:

- Harjaa polttimen putken (2) ulkopuoli ja polttimen aukot (3) metalliharjalla.

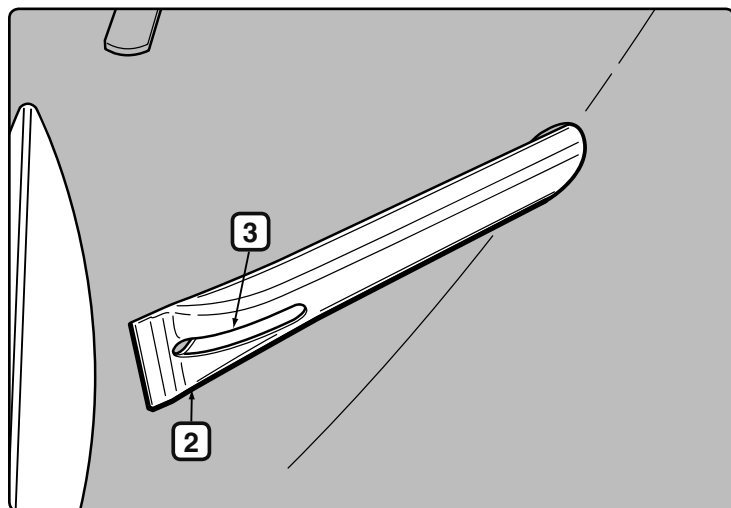
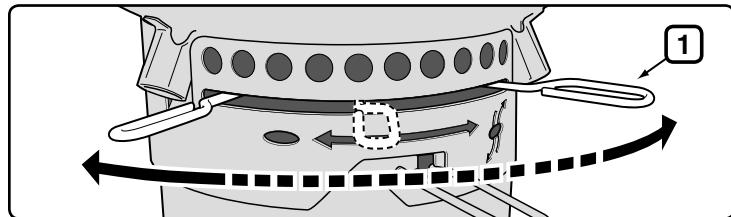
### ⚠ HUOMAA: Älä suurena polttimen aukkoja tai kaasusuutinta puhdistuksen yhteydessä.

#### Pallogrillin puhdistaminen:

- Kun kansi on lämmin, pyyhi sen sisäpinta talouspaperilla. Näin ehkäiset rasvan kertymisen.
- Puhdista ulkopinnat lämpimällä saippuavedellä ja huuhtelee hyvin puhtaalla vedellä.

#### Huolellinen puhdistaminen (vähintään kerran vuodessa):

- Poista tuhkat, kun briketit ovat palaneet täysin loppuun.
- Irrota ritilät ja Char-Basket™-brikettisäiliöt.
- Pyyhi talouspaperilla. Pese miedolla puhdistusaineella ja vedellä. Huuhtelee hyvin puhtaalla vedellä ja pyyhi kuivaksi.



## SÄILYTYS

- Kun Performer-grilliä säilytetään sisätiloissa, on kaasunsyöttö katkaistava ja nestekaasusäiliö siirrettävä ulkotiloissa säilytettäväksi hyvin tuuletetussa paikassa.
- Nestekaasusäiliöt täytyy säilyttää ulkotiloissa hyvin tuuletetussa tilassa poissa lasten ulottuvilta. Säiliöitä ei saa säilyttää rakennuksessa, autotallissa tai muussa suljetussa tilassa.
- Säilytyksen tai pitkän käyttämättömän ajan jälkeen grilli on tarkistettava kaasuvuotojen ja poltinpukien tukosten varalta ennen käyttöä (katso kohta Huolto).
- Varmista ennen käyttöä, että säiliön, letkun ja polttimen ympärillä olevassa tilassa ei ole roskia, jotka voisivat haitata palo- tai tuuletusilman virtausta.



**HYÖNTEISVAROITUS**

Performer-grilli on muiden ulkokäyttöisten kaasulaitteiden tavoin alttiina hämähäkeille ja muille hyönteisille. Ne saattavat pesiä polttimen suppilo-osassa (1), jolloin kaasu virtaa takaisin ulos ilmaluukusta.

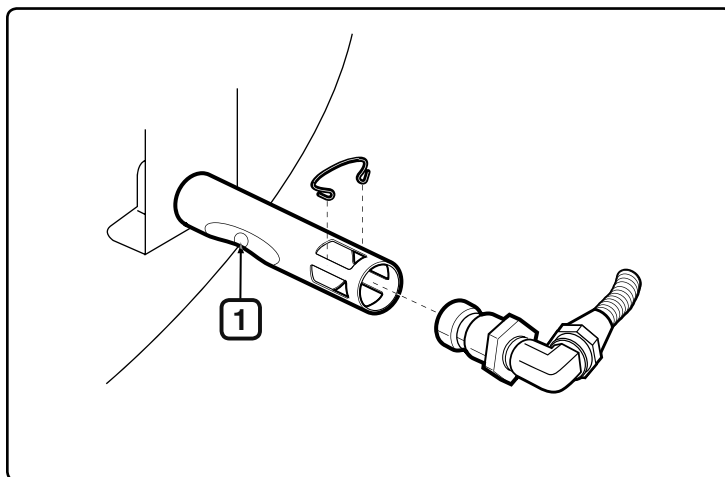
Tämä voi aiheuttaa tulipalon poltinputken ympärillä ja kupulevyn alla. Palo voi vaurioittaa grilliä vakavasti ja tehdä siitä turvattoman käyttää.

Suosittellemme painokkaasti, että tarkistat ja puhdistat poltinputken vähintään kerran vuodessa tai jos ilmenee seuraavia oireita:

- A) Kaasun haju polttimen liekkien näyttäessä hyvin keltaisilta ja laimeilta.
- B) Poltin tekee pokshtelevia ääniä.

**⚠ VAARA**

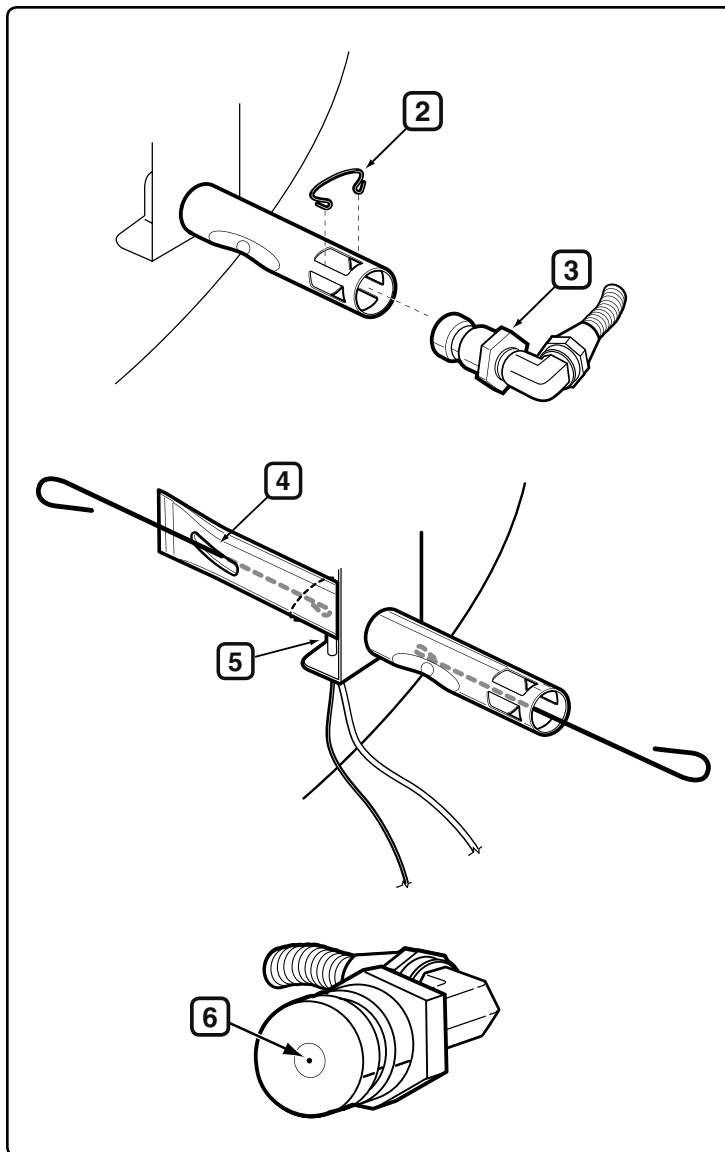
**Jos näihin vikoihin ei puututa, saattaa syttyä tulipalo, joka voi aiheuttaa vakavia vammoja tai kuoleman sekä omaisuusvahinkoja.**

**POLTTIMEN TARKASTUS JA PUHDISTUS**

- A) Katkaise kaasunsyöttö (OFF).
- B) Irrota CharBin™-säilytysastia.
- C) Irrota suuttimen pidike (2) ja letkuliitin (3) poltinputkesta.
- D) Katso polttimen sisään taskulampun avulla.
- E) Puhdista polttimien sisäpuoli sytytystikun pidikelangalla (sisältyy grilliin). Puhdista langalla ilmaluukun alue, suppilo-osa ja polttimen aukot (4) kuvun sisäpuolella. Ole huolellinen polttimen puhdistustyökalun sisään työntämisessä, jotta et vaurioita sytytys Elektrodiä (5).
- F) Tarkista taskulampulla, että tukoksia ei ole.
- G) Tarvittaessa letkuliittimen pinta voidaan puhdistaa metalliharjalla. Suutin (6) voidaan puhdistaa pienellä tapilla.

**⚠ HUOMAA: Älä suurena suutinta puhdistuksen yhteydessä.**

- H) Kokoa tekemällä vaiheet B ja C päinvastaisessa järjestyksessä.

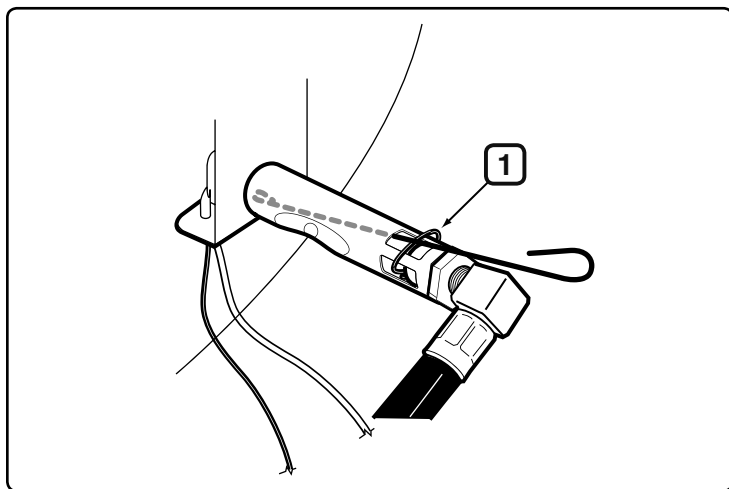


## SÄÄNNÖLLINEN NOPEA PUHDISTAMINEN

Suosittellemme säännöllistä polttimen aukkojen ulkopuolen harjaamista metalliharjalla ja poltinputken puhdistamista paloilmän aukon kautta mukana toimitetun sytytystikun pidikkeen avulla

Tee tämä etsimällä polttimen paloilmän aukko (1) kuvun kannakkeen alta ja työntämällä työkalu kunkin paloilmän aukon läpi pyörittäen samalla työkalua. Ole huolellinen sytytystikun pidikkeen sisään työntämisessä, jotta et vaurioita sytytys Elektrodeja.

**△ HUOMAA: Tämä puhdistus on hyvä tehdä useammin kevä- ja kesäkuukausina.**



## ELEKTRONISEN SYTYTYKSEN TARKASTUS

Jos elektroninen sytytysjärjestelmä ei sytytä, varmista kaasuvirtaus yrittämällä sytytystä tulitikulla. Katso kohta "KÄSIN SYTYTTÄMINEN". Jos sytytys onnistuu tulitikulla, ongelma on elektronisessa sytytysjärjestelmässä.

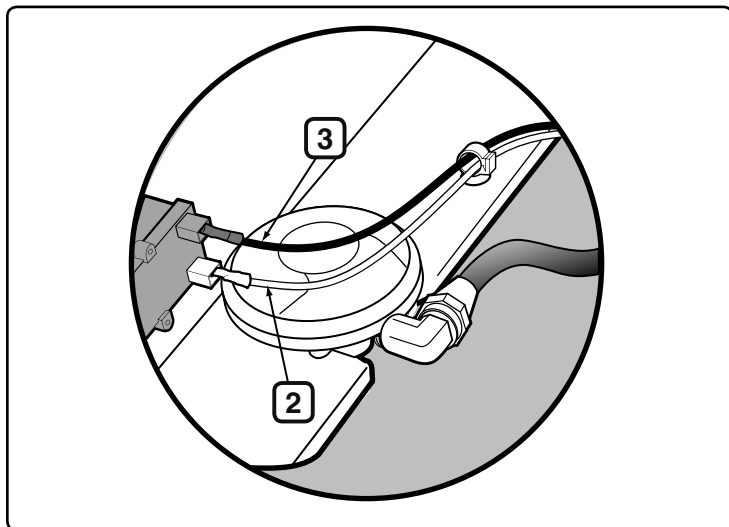
**△ VAROITUS: Kaasusäätimen ja -venttiilin tulee olla pois-asennossa.**

- Varmista, että AAA-paristo (vain alkali) on hyvässä kunnossa ja oikein asennettu (1). Joissakin paristoissa on muovikääre. Tämä muovi tulee poistaa. Älä sekoita tätä muovia pariston etikettiin.
- Varmista, että sekä valkoinen (2) että musta (3) sytytysjohto on kunnolla kiinni.
- Tarkista elektronisen sytytysnapin toiminta tarkkailemalla, kipinöikö poltin.
- Tarkista, onko sytytysyksikkö löysällä kehyksessä. Kiristä tarvittaessa. Katso kohdasta "Asennus" tarvittava toimenpide.

### Vaihda Paristot Tarvittaessa

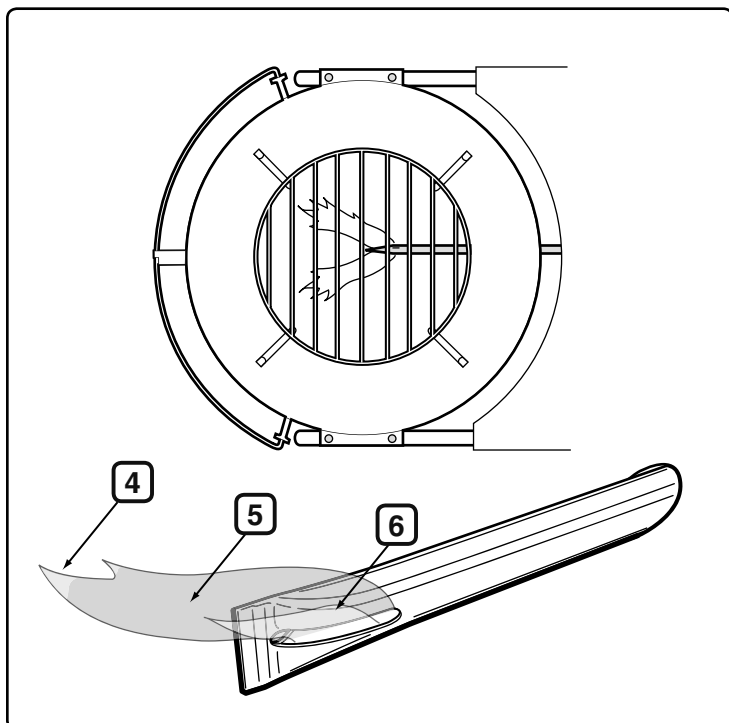
Käytä vain AAA-alkaliparistoja.

Jos elektroninen sytytysjärjestelmä ei edelleenkään sytytä poltinta, ota yhteys oman alueesi asiakaspalveluun. Yhteystiedot ovat kotisivuillamme. Siirry osoitteeseen [www.weber.com](http://www.weber.com)®.



## POLTTIMEN LIEKKIMALLI

Polttimeen on säädetty tehtaalla oikea ilman ja kaasun seos. Asianmukaisessa liekkimallissa on kellertävä kärki (4), tummansininen keskiosa (5) ja vaaleansininen osa poltinputken (6) kohdalla. Jos liekki ei ole kuvatus kaltainen tai kuuluu poksatelevia ääniä, noudata puhdistusohjeita.





**⚠ HUOM: Tämän tuotteen turvallisuus on testattu ja se on saanut käyttöluvan vain tietyssä maassa. Katso lisätietoja pakkauksen maatiedoista.**

Nämä osat on tarkoitettu kaasun siirtoon tai polttamiseen. Pyydä Weber-Stephen Products LLC -yhtiön asiakaspalveluosastolta lisätietoja aidoista Weber-Stephen Products LLC -varaosista.

**⚠ VAROITUS: Älä yritä korjata kaasun säilytykseen tai polttamiseen tarkoitettuja osia ottamatta yhteyttä Weber-Stephen Products LLC -yhtiön asiakaspalveluun. Jos et noudata tähän tuotteeseen liittyviä varoituksia, saatat aiheuttaa tulipalon tai räjähdyksen ja sitä kautta vakavia vammoja, kuoleman tai omaisuusvahinkoja.**



Tämä symboli osoittaa, että tuotetta ei voi hävittää kotitalousroskien mukana. Ohjeet tuotteen hävittämiseksi Euroopassa saat sivustosta [www.weber.com](http://www.weber.com)<sup>®</sup> tai ottamalla yhteys maahantuojaan. Jos sinulla ei ole Internet-yhteyttä, saat maahantuojan yhteystiedot jälleenmyyjältä.

Kun päätät hävittää tai heittää pois grillisi, kaikki sähköosat (esimerkiksi vartaan moottori, paristot, sytytysyksikkö, kahvalat) on irrotettava ja hävitettävä oikein WEEE:n mukaisesti. Ne on hävitettävä grillistä erillään.



WEBER-STEPHEN PRODUCTS LLC  
[www.weber.com](http://www.weber.com)<sup>®</sup>



# PERFORMER® DELUXE

Guide d'utilisation du barbecue aux briquettes de charbon de bois

Montage - p. 5

#54785



**LISEZ ATTENTIVEMENT CE GUIDE D'UTILISATION AVANT D'UTILISER VOTRE BARBECUE AVEC ALLUMAGE AU GAZ**

**⚠ DANGER**

En cas d'odeur de gaz:

1. Fermez l'arrivée de gaz de l'appareil.
2. Éteignez toute flamme.
3. Ouvrez le couvercle.
4. Si l'odeur persiste, éloignez-vous de l'appareil et contactez immédiatement votre fournisseur de gaz ou les pompiers.

Une fuite de gaz risque de provoquer un incendie ou une explosion pouvant entraîner des blessures graves, voire mortelles, ou des dommages matériels.

**⚠ AVERTISSEMENT:**

1. Ne stockez et n'utilisez ni pétrole, ni autres gaz / liquides inflammables à proximité de cet appareil ou de tout autre appareil.
2. Ne conservez aucune bouteille de gaz non connectée à proximité de cet appareil ou de tout autre appareil.

**⚠ AVERTISSEMENT:** Avant d'utiliser ce barbecue, effectuez scrupuleusement toutes les vérifications d'étanchéité indiquées dans ce guide. Faites-le même si ce barbecue a été assemblé par le revendeur.

**⚠ AVERTISSEMENT:** N'essayez pas d'allumer votre barbecue à gaz Weber® avant d'avoir lu les instructions figurant dans la section "Allumage" du présent guide.

**INFORMATIONS DESTINEES A L'INSTALLATEUR:**

Ce guide doit être conservé par le propriétaire pour référence ultérieure.

**A UTILISER UNIQUEMENT A L'EXTERIEUR.**

LE NON-RESPECT DES INSTRUCTIONS RELATIVES AUX DANGERS, AUX AVERTISSEMENTS ET AUX PRÉCAUTIONS PEUT ÊTRE À L'ORIGINE DE BLESSURES GRAVES, VOIRE MORTELLES, ET / OU D'UN INCENDIE OU D'UNE EXPLOSION SUSCEPTIBLES DE PROVOQUER DES DOMMAGES MATÉRIELS.

- △ Des SYMBOLES DE SÉCURITÉ( △ ) attirent votre attention sur d'importantes informations de SÉCURITÉ.
- △ Les termes DANGER, AVERTISSEMENT et ATTENTION sont associés aux SYMBOLES DE SÉCURITÉ.
- △ Le terme DANGER est utilisé pour identifier les risques les plus graves.
- △ Veuillez lire toutes les informations de sécurité figurant dans le présent guide d'utilisation avant d'utiliser ce barbecue.

#### △ DANGERS

- △ Le non-respect des instructions relatives aux dangers, aux avertissements et aux précautions contenues dans le présent manuel d'utilisation peut être à l'origine de blessures graves, voire mortelles, et / ou d'un incendie ou d'une explosion susceptible de provoquer des dommages matériels.
- △ Ne l'utilisez pas à l'intérieur ! Ce barbecue est conçu pour une utilisation à l'extérieur uniquement. En cas d'utilisation à l'intérieur, des fumées toxiques s'accumulent et provoquent des blessures graves, voire mortelles.
- △ Utilisez ce barbecue à l'extérieur uniquement, dans une zone correctement aérée. Ne l'utilisez pas dans un garage, dans un bâtiment, sous une tonnelle ou dans toute autre zone fermée.
- △ N'utilisez pas ce barbecue sous un abri combustible.
- △ Un assemblage incorrect peut présenter un danger. Veuillez respecter les instructions de montage contenues dans le présent manuel. N'utilisez pas ce barbecue si tous ses composants ne sont pas en place. Avant d'allumer le barbecue, assurez-vous que le cendrier est correctement fixé aux pieds du barbecue, en dessous de la cuve, ou que le cendrier de grande capacité est en place.
- △ N'ajoutez ni liquide d'allumage, ni charbon imprégné de liquide d'allumage sur du charbon incandescent ou chaud. Rebouchez le conteneur de liquide d'allumage après utilisation et placez-le à l'écart du barbecue.
- △ N'utilisez jamais de pétrole, d'alcool ou d'allume-feux liquide sur du charbon de bois. N'utilisez aucun type de charbon de bois auto-inflammable.
- △ Faites preuve de prudence lorsque vous utilisez votre barbecue. Il est chaud pendant la cuisson et ne doit jamais être laissé sans surveillance pendant son utilisation.
- △ Ne laissez ni bébés, ni enfants, ni animaux domestiques sans surveillance à proximité d'un barbecue chaud.
- △ N'essayez pas de déplacer un barbecue chaud.
- △ N'utilisez pas ce barbecue à moins d'un mètre cinquante d'un matériau combustible. Les matériaux combustibles incluent, de manière non exhaustive, le bois (traité ou non) des terrasses, patios et porches.
- △ Les matériaux combustibles ne doivent jamais se trouver à moins de 60 cm du barbecue.
- △ Éloignez de la zone de cuisson les liquides et gaz inflammables tels que l'essence, l'alcool, etc., ainsi que tout matériau combustible.
- △ Ne retirez pas les cendres avant que tout le charbon se soit consommé, qu'il soit complètement éteint et que le barbecue soit refroidi.
- △ Placez toujours le charbon dans des paniers Char-Baskets™ ou sur la grille foyère inférieure. Ne placez pas le charbon directement au fond de la cuve.
- △ Ne portez pas de vêtements à manches amples lorsque vous allumez ou utilisez le barbecue.
- △ Ne vous penchez jamais au-dessus du barbecue lorsque vous allumez le brûleur à gaz.
- △ N'utilisez pas le barbecue par vent fort.
- △ N'utilisez pas le barbecue en cas de fuite de gaz.
- △ N'utilisez pas de flamme pour vérifier s'il existe une fuite de gaz.
- △ Si le brûleur s'éteint à tout moment pendant l'utilisation du barbecue, fermez le robinet d'alimentation. Retirez le couvercle et attendez cinq minutes avant d'essayer de rallumer le brûleur. Suivez les instructions d'allumage stipulées dans ce manuel.
- △ N'essayez pas de débrancher le détendeur du réservoir ou tout autre raccord au gaz pendant que vous utilisez le barbecue.
- △ Utilisez uniquement le détendeur fourni avec ce barbecue.

#### △ AVERTISSEMENTS

- △ Suivez les instructions de branchement du détendeur correspondant à votre barbecue à gaz.
- △ Ne stockez pas de cartouche de gaz ou débranchée sous ou à proximité du barbecue.
- △ Maintenez en permanence le barbecue sur une surface stable, de niveau, loin de matériaux combustibles.
- △ Ne placez pas de housse ou de produit inflammable sur le barbecue, ou dans la zone de rangement située dessous.
- △ Retirez toujours le couvercle avant d'allumer le brûleur à gaz manuellement ou à l'aide de l'allumeur. Le couvercle ne doit jamais être posé sur le barbecue tant que le charbon de bois n'est pas complètement allumé.
- △ Ne touchez jamais la grille de cuisson, la grille foyère, les cendres, le charbon ou le barbecue pour vérifier s'ils sont chauds.
- △ N'utilisez pas de pierres de lave ou d'autres produits de ce type dans ce barbecue.
- △ N'essayez pas de limiter les flambées, ni d'éteindre le charbon à l'aide d'eau. Le cas échéant, un endommagement du revêtement en émail risquerait de se produire. Fermez un peu les clapets d'aération inférieurs et posez le couvercle sur la cuve de cuisson.
- △ Éteignez le charbon une fois la cuisson terminée. Fermez tous les clapets d'aération après avoir placé le couvercle sur la cuve de cuisson.
- △ Portez toujours des gants pour barbecue lorsque vous cuisinez, ajustez les clapets d'aération, ajoutez du charbon et manipulez le thermomètre ou le couvercle.
- △ Utilisez les bons outils à grillade avec de longs manches et des poignées résistantes à la chaleur.
- △ Certains modèles sont dotés du guide-couvercle Tuck-Away™. Le guide-couvercle Tuck-Away™ vous permet de ranger le couvercle lorsque vous vérifiez la cuisson de vos aliments ou les retournez. N'utilisez pas le guide-couvercle Tuck-Away™ comme poignée pour soulever ou déplacer le barbecue. Ne posez pas un couvercle chaud sur un revêtement de sol ou de l'herbe. Ne suspendez pas le couvercle à la poignée de la cuve.

- ⚠ Ne déposez jamais de charbon chaud à un emplacement dangereux (risque d'incendie ou de piétinement). Ne jetez jamais les cendres et le charbon avant leur extinction complète. Ne rangez pas le barbecue avant l'extinction complète des cendres et du charbon.
- ⚠ Manipulez et rangez les dispositifs d'allumage électrique chauds avec prudence.
- ⚠ Maintenez les câbles et cordons électriques à l'écart des surfaces chaudes du barbecue et des zones de passage.
- ⚠ Si vous avez stocké et / ou n'avez pas utilisé le barbecue pendant un certain temps, vérifiez qu'il n'y a pas de fuite de gaz et que le brûleur n'est pas obstrué avant de l'utiliser. Pour connaître les procédures de vérification adéquates, reportez-vous aux instructions contenues dans le présent guide.
- ⚠ La conversion ou l'utilisation de gaz naturel est dangereuse et annule la garantie.
- ⚠ Il est dangereux d'utiliser une cartouche de gaz bosselée ou rouillée. Faites-la vérifier par votre fournisseur. N'utilisez pas de cartouche de gaz lorsque le robinet d'alimentation est endommagé.
- ⚠ Même si la cartouche de gaz semble vide, elle risque de contenir encore du gaz. La cartouche de gaz doit être transportée et stockée de manière adéquate.
- ⚠ Si vous remarquez, sentez ou entendez une fuite de gaz de la cartouche de gaz :
  1. Eloignez-vous de la cartouche de gaz.
  2. N'essayez pas de résoudre le problème vous-même.
  3. Contactez les pompiers.

#### ⚠ PRECAUTIONS

- ⚠ Le tapissage de la cuve de cuisson avec du papier aluminium provoquerait une obstruction du flux d'air. Utilisez plutôt une barquette en aluminium pour recueillir les jus des viandes lorsque vous utilisez la cuisson indirecte.
- ⚠ L'utilisation d'objets pointus pour nettoyer la grille de cuisson ou pour enlever les cendres endommagerait le revêtement.
- ⚠ L'utilisation de nettoyants abrasifs sur les grilles de cuisson ou sur le barbecue endommagerait le revêtement.
- ⚠ L'intégralité du barbecue doit être nettoyée régulièrement.

## GARANTIE

Weber-Stephen Products LLC (Weber) garantit à l'ACHETEUR ORIGINAL de ce barbecue à gaz Weber® l'absence de tout vice de matière et de fabrication à compter de la date d'achat et pendant les périodes suivantes:

Grilles de cuisson / foyère	2 ans
Plaques aluminisées/pièces plaquées	
Système de nettoyage One-Touch™	5 ans
Système de nettoyage One-Touch™ en acier inoxydable	10 ans
Cuve et couvercle (rouille / perforation)	10 ans
Poignées en nylon	10 ans
Pièces thermoturcies / thermoplastiques (Performer®)	10 ans
	<b>à l'exclusion de la perte d'éclat</b>
Toutes les autres pièces	2 ans

dans la mesure où son montage et son utilisation sont conformes aux instructions imprimées qui l'accompagnent. Weber a besoin d'un justificatif de la date d'achat. CONSERVEZ PAR CONSEQUENT VOTRE TICKET DE CAISSE OU FACTURE.

La présente garantie est limitée à la réparation ou au remplacement des pièces défectueuses sous conditions normales d'utilisation et d'entretien, après confirmation par Weber de leur caractère défectueux. Avant de nous retourner une pièce quelle qu'elle soit, contactez votre revendeur. (Pour connaître les coordonnées du revendeur le plus proche, consultez notre site Web). Si Weber confirme le caractère défectueux de la pièce et accepte la réclamation, cette pièce est remplacée gratuitement. Les pièces défectueuses doivent être déposés au magasin où le barbecue a été acheté. Weber renvoie la pièce au même magasin.

La présente garantie limitée ne couvre pas les défauts ou dysfonctionnements provoqués par un accident, une utilisation abusive ou incorrecte, une modification, une application incorrecte, un acte de vandalisme, une installation incorrecte, une maintenance/un entretien incorrect(e), un non-respect des instructions d'entretien normal, y compris mais sans s'y limiter, les dommages provoqués par la présence d'insectes au niveau des brûleurs, comme indiqué dans le présent guide d'utilisation.

La présente Garantie limitée ne couvre pas les détériorations ou dommages provoqués par des conditions climatiques extrêmes, telles que la grêle, les ouragans, les tremblements de terre ou les tornades, ni les décolorations résultant d'une exposition directe ou indirecte (présence dans l'atmosphère) à des produits chimiques.

La seule garantie expresse applicable est celle spécifiée dans la présente, et toute garantie implicite applicable relative à la qualité marchande et à l'adéquation à une utilisation particulière est limitée en durée à la période de couverture de la présente garantie limitée expresse. Certains pays n'autorisant pas les limitations de garantie, il est possible que la présente limitation ne s'applique pas à votre cas.

Weber décline toute responsabilité relative à des dommages particuliers, immatériels ou indirects. Certains pays n'acceptant pas l'exclusion ou la limitation des dommages accessoires ou indirects, il est possible que cette limitation ou exclusion de garantie ne s'applique pas à votre cas.

Weber n'autorise aucune personne ni entreprise à assumer en son nom toute autre obligation ou responsabilité, en relation avec la vente, l'installation, l'utilisation, le retrait, le retour ou le remplacement de ses équipements, et de telles représentations ne sont en aucun cas contractuelles pour Weber.

La présente garantie s'applique uniquement aux produits vendus au détail.

**Rendez-vous sur le site [www.weber.com](http://www.weber.com), sélectionnez votre pays et enregistrez votre barbecue dès aujourd'hui.**

### REPLACEMENT DE L'ENSEMBLE ROBINET, FLEXIBLE ET DETENDEUR

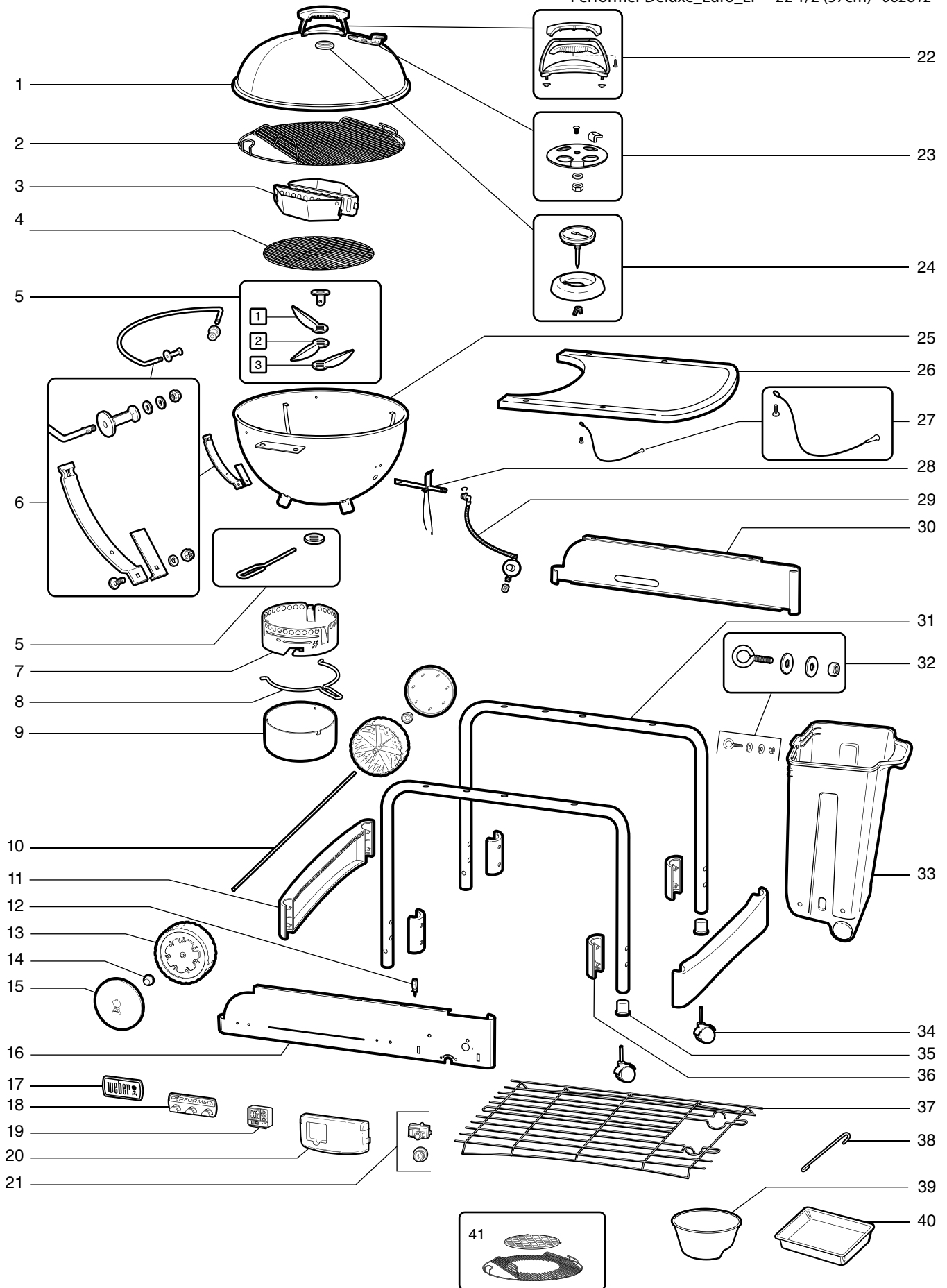
- ⚠ **AVIS IMPORTANT** : Il est vivement conseillé de remplacer l'ensemble flexible de gaz de votre barbecue à gaz Weber tous les 5 ans. La réglementation de certains pays impose un intervalle de remplacement inférieur à 5 ans. Le cas échéant, la réglementation nationale est prioritaire.

Pour le remplacement des ensembles robinet, flexible et détendeur, contactez votre revendeur Weber. Pour connaître les coordonnées du revendeur le plus proche, rendez-vous sur notre site web, à l'adresse suivante : [www.weber.com](http://www.weber.com).

### PAYS

### TYPE & PRESSION DU GAZ

Danemark, Suède, Norvège, Finlande, Angleterre, Pays-Bas, Royaume-Uni, France, Espagne, Portugal, Belgique, Irlande, Grèce, Luxembourg, Italie, Allemagne, Autriche	I <sub>3B/P</sub> - 29 mbar	
INFORMATIONS RELATIVES A LA CONSOMMATION		
Allumage du brûleur. Max.		
Mélange Propane / Butane	kW (Hs)	gm (Hs)
	2,6	192





- |                                        |                                    |                                              |
|----------------------------------------|------------------------------------|----------------------------------------------|
| 1. Couvercle                           | 15. Cache-roue                     | 29. Flexible & Détendeur avec clip d'orifice |
| 2. Grille de cuisson articulée         | 16. Panneau frontal                | 30. Panneau arrière                          |
| 3. Char-Baskets™                       | 17. Plaque de logo                 | 31. Châssis                                  |
| 4. Grille foyère                       | 18. Porte-ustensiles               | 32. Visserie de la cuve de stockage CharBin™ |
| 5. Système de Nettoyage One-Touch™     | 19. Minuterie Numérique de Cuisson | 33. CharBin™                                 |
| 6. Guide-couvercle & support inférieur | 20. Cache du contrôle de gaz       | 34. Roulettes                                |
| 7. Support de cendrier                 | 21. Bouton / Module d'Allumage     | 35. Supports de roulette                     |
| 8. Poignée de cendrier                 | 22. Poignées de couvercle          | 36. Bride de barre transversale              |
| 9. Cendrier de grande capacité         | 23. Aérations du couvercle         | 37. Étagère grillagée inférieure             |
| 10. Axe                                | 24. Thermomètre                    | 38. Porte-Allumette                          |
| 11. Barre transversale de châssis      | 25. Cuve                           | 39. Doseur à Charbon de Bois                 |
| 12. Passe-fils électrique              | 26. Table                          | 40. Barquette jetable en aluminium           |
| 13. Roue                               | 27. Cuve de stockage CharBin™      |                                              |
| 14. Clip de fixation                   | 28. Pack brûleur                   |                                              |

## ACCESSOIRES POSSIBLES:

41. Grille de saisie avec grille de cuisson articulée

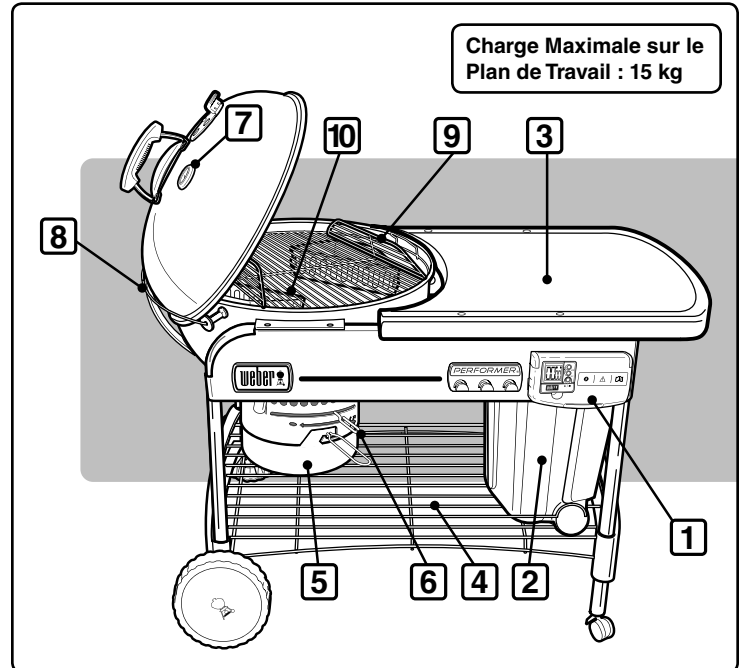
En cas de question ou pour recevoir des conseils relatifs à votre barbecue ou à son utilisation en toute sécurité, rendez-vous sur le site Web [www.weber.com](http://www.weber.com)®

- Ces instructions décrivent les conditions minimales requises pour utiliser le barbecue Weber®. Veuillez les lire attentivement avant de vous servir du barbecue Weber®. Un montage incorrect peut être dangereux.
- Ne laissez pas d'enfants utiliser cet appareil.
- Ce barbecue Weber® est conçu pour une utilisation avec cartouches à valve vissable de propane ou de mélange de propane / butane uniquement. N'utilisez pas de gaz naturel. Le détendeur est conçu pour un mélange de propane / butane uniquement.
- Ce barbecue à gaz Weber® n'est pas destiné à une utilisation commerciale.

- La consommation d'alcool et / ou de médicaments (prescrits ou non) risque de limiter la capacité de l'utilisateur à monter et à utiliser correctement l'appareil.
- Ce barbecue Weber® n'est pas conçu pour être utilisé comme radiateur et ne doit jamais servir à cette fin.
- Ne laissez pas le barbecue Weber® sans surveillance. Eloignez les enfants et les animaux du barbecue Weber®.
- Dans la zone située sous le panneau de commande et le plateau inférieur, vérifiez l'absence de débris pouvant obstruer le flux de combustion ou la ventilation.
- Les pièces scellées par le fabricant ne doivent pas être altérées par l'utilisateur.
- Une modification quelconque de l'appareil peut s'avérer dangereuse.

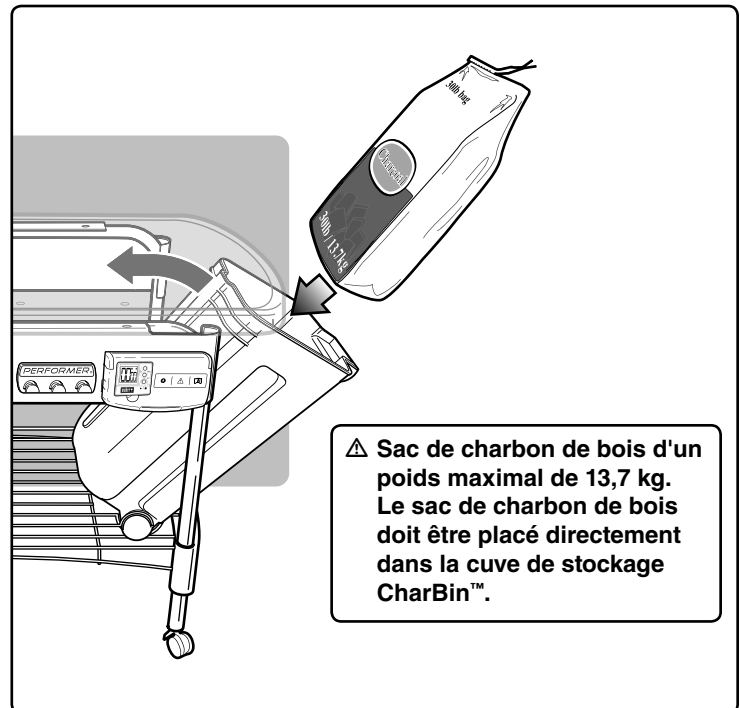
## CARACTERISTIQUES

- A) Le système d'allumage au gaz exclusif Touch-N-Go™ facilite l'allumage des briquettes de charbon de bois (1). Appuyez simplement sur le bouton et maintenez-le enfoncé, et le système allume le brûleur à gaz et le charbon de bois à votre place. Aucun allume-feux liquide ne doit être utilisé ou stocké.
- B) La cuve de stockage CharBin™ peut contenir un sac de charbon de bois d'un poids maximal de 13,7 kg (2). Le sac de charbon de bois doit être placé directement dans la cuve de stockage CharBin™.
- C) Le plan de travail thermoturci est pratique et recouvre le cuve de stockage CharBin™ afin que les briquettes restent sèches (3).
- D) Etagère grillagée inférieure (4).
- E) Le cendrier est maintenu en place et récupère les cendres (5).
- F) Le système de nettoyage One-Touch® élimine facilement les cendres, ou ouvre et ferme les aérations (6).
- G) Le thermomètre indique la température à l'intérieur du barbecue (7).
- H) Le guide couvercle Tuck-Away™ en acier inoxydable permet de faire glisser le couvercle sur le côté et servira de protection lors de l'allumage des briquettes (8).
- I) La grille articulée permet d'ajouter facilement des briquettes ou des copeaux de bois pendant la cuisson (9).
- J) Les paniers à charbon Char-Basket™ permettent une cuisson indirecte, ou directe et concentrée aux copeaux ou au charbon de bois (10).



## ZONE D'UTILISATION

- ⚠ **AVERTISSEMENT : Utilisez ce barbecue à l'extérieur uniquement, dans une zone convenablement aérée. Ne l'utilisez pas dans un garage, dans un bâtiment, sous une tonnelle ou dans toute autre zone fermée.**
- ⚠ **AVERTISSEMENT : Les pièces accessibles risquent d'être très chaudes. Eloignez les enfants.**
- ⚠ **N'utilisez jamais le barbecue sous une construction combustible.**
- ⚠ **Le barbecue Weber® n'est pas conçu pour une installation dans un véhicule ou un bateau de loisir.**
- ⚠ **N'utilisez pas de matériaux combustibles à moins de 60 cm du barbecue.**
- ⚠ **L'ensemble du barbecue chauffe en cours d'utilisation. Ne laissez pas le barbecue sans surveillance.**
- ⚠ **Eloignez tout câble d'alimentation électrique et le flexible d'alimentation en combustible de toute surface chaude.**
- ⚠ **Eloignez les gaz et liquides inflammables tels que le pétrole, l'alcool, etc., et les matériaux combustibles de la zone de cuisson.**
- ⚠ **Ne déplacez pas le barbecue en cours d'utilisation. Attendez le refroidissement du barbecue avant de le déplacer.**
- ⚠ **Cet appareil n'est pas conçu pour être utilisé comme radiateur et ne doit jamais servir à cette fin.**



⚠ **Sac de charbon de bois d'un poids maximal de 13,7 kg. Le sac de charbon de bois doit être placé directement dans la cuve de stockage CharBin™.**

## RACCORDEMENT DE LA CARTOUCHE DE GAZ A VALVE VISSABLE

Utilisez une cartouche jetable à valve vissable d'une capacité minimale de 170g et d'une capacité maximale de 350g. La bouteille doit être dotée d'une valve EN417 comme l'indique l'illustration. Vous pouvez utiliser le type de cartouche CG1750, CG3500, Multigas 300 ou Express 555.

**⚠ ATTENTION : Utilisez des bouteilles sur lesquelles figure la mention gaz Propane ou mélange Propane / Butane uniquement.**

Vissez la cartouche jetable sur le détendeur et tournez dans le sens des aiguilles d'une montre jusqu'à ce que l'ensemble soit étanche.

**⚠ AVERTISSEMENT : Serrez manuellement. Si vous serrez de manière excessive, vous risquez d'endommager le couplage du détendeur et de provoquer une fuite ou un manque de gaz.**

### RECHERCHEZ LES FUITES DE GAZ EVENTUELLES :

#### ⚠ DANGER

Ne recherchez pas les fuites de gaz à l'aide d'une flamme. Assurez-vous qu'aucune étincelle ou flamme ne peut se produire à proximité de la zone pendant la procédure de vérification de l'étanchéité. Les étincelles et les flammes provoqueraient un incendie ou une explosion, ce qui risquerait d'être à l'origine de blessures graves, voire mortelles, ainsi que de dommages matériels.

Vous aurez besoin d'une cartouche de gaz à valve vissable, d'une solution savonneuse, et d'un chiffon ou d'une brosse.

- Mélangez l'eau et le savon.
- Tournez le bouton de contrôle du gaz dans le sens inverse des aiguilles d'une montre.
- Mouillez le raccord avec la solution savonneuse afin de vérifier l'étanchéité en recherchant des bulles. La présence de bulles indique une fuite de gaz.

### VERIFIEZ LES POINTS SUIVANTS :

- Raccord du détendeur et de la cartouche de gaz.

**⚠ AVERTISSEMENT : En cas de fuite au niveau du raccord (1), retirez la cartouche de gaz à valve vissable. Ne faites pas fonctionner le barbecue. Utilisez une autre cartouche de gaz à valve vissable et vérifiez à nouveau l'étanchéité à l'aide de la solution savonneuse. Si la fuite persiste après avoir resserré la cartouche de gaz à valve vissable, fermez le gaz. N'UTILISEZ PAS LE BARBECUE. Contactez votre revendeur. Pour obtenir les coordonnées de notre revendeur le plus proche, rendez-vous sur notre site Web. Rendez-vous sur le site Web [www.weber.com](http://www.weber.com)**

### VERIFIEZ LES POINTS SUIVANTS :

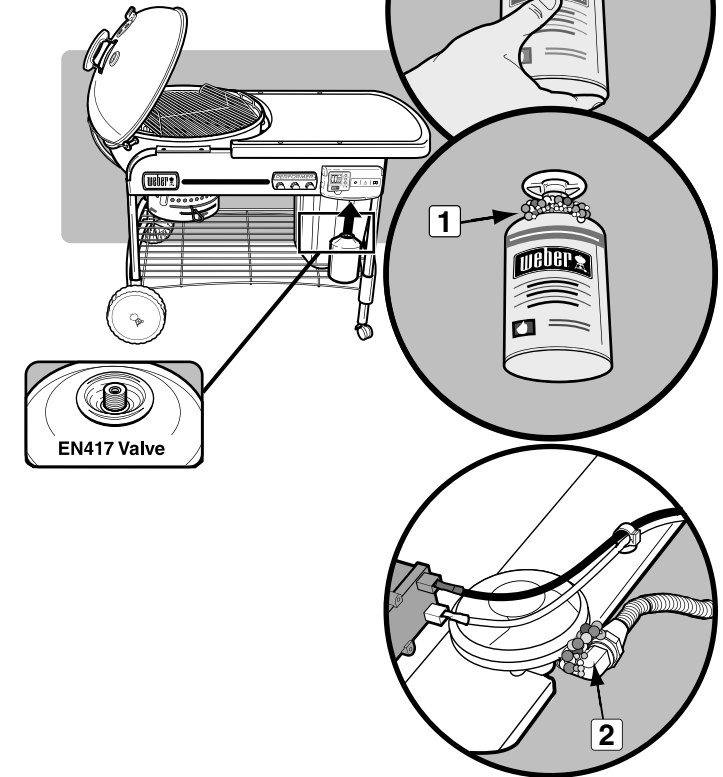
- Raccords entre le robinet et le détendeur.

**⚠ AVERTISSEMENT : En cas de fuite au niveau du raccord (2), fermez le robinet de gaz. N'UTILISEZ PAS LE BARBECUE. Contactez votre revendeur Weber. Pour obtenir les coordonnées de notre revendeur le plus proche, rendez-vous sur notre site Web. Consultez le site [www.weber.com](http://www.weber.com)**

Après avoir vérifié l'absence de fuite, coupez l'alimentation de gaz à la source et rincez les raccords à l'eau claire.

#### ⚠ DANGER

Ne stockez pas de cartouche de gaz à valve vissable sous ou à proximité de l'appareil.



## ALLUMAGE

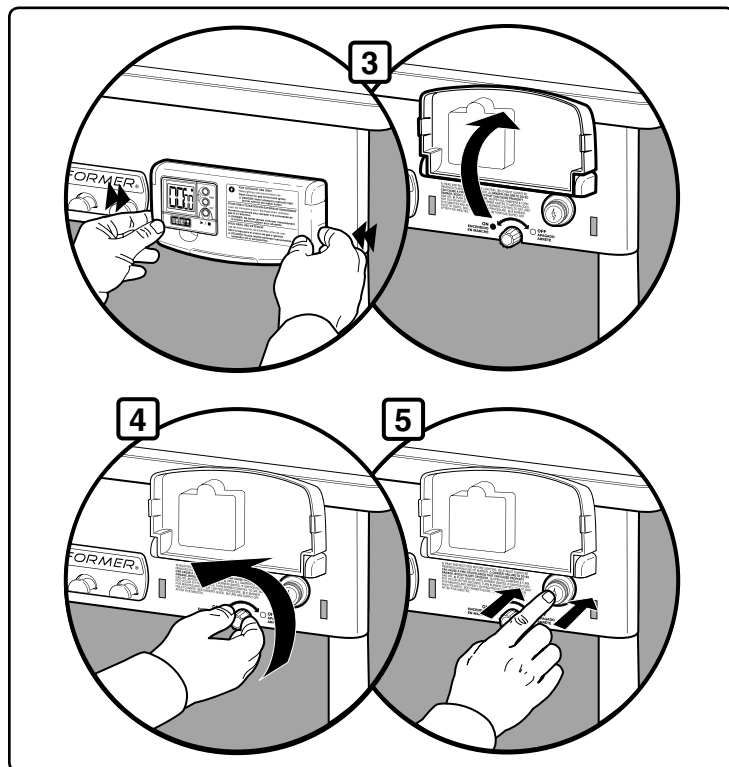
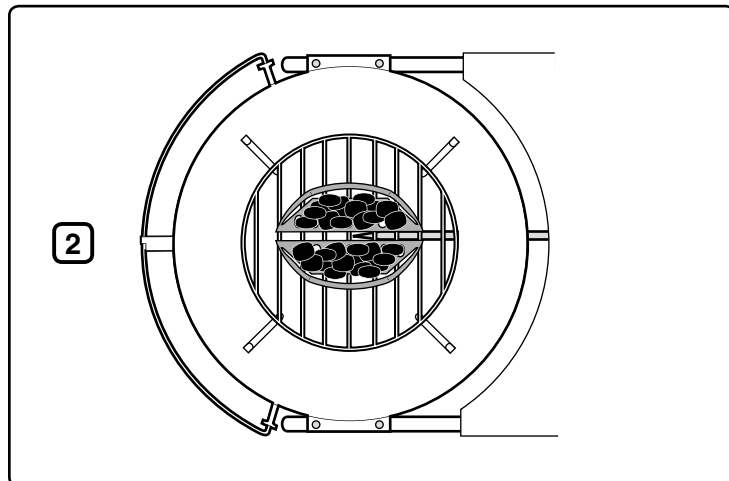
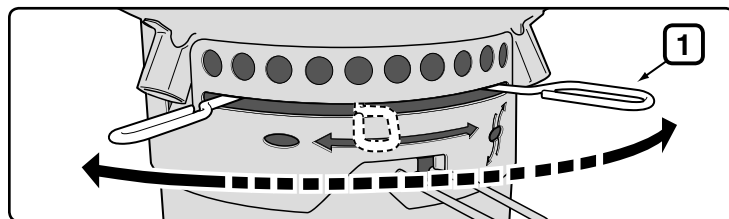
## ⚠ DANGER

Soulevez le couvercle avant de procéder à l'allumage. N'utilisez pas de liquides inflammables tels qu'un liquide d'allumage, du pétrole ou de l'alcool ou tout autre type de charbon de bois auto-inflammable, même lorsque vous allumez le barbecue manuellement. Vous risqueriez des blessures graves, voire mortelles.

- A) Faites basculer le couvercle avant d'allumer le gaz.
- ⚠ **DANGER : Vous risqueriez de créer une accumulation de gaz qui peut provoquer un incendie ou une explosion, qui peut entraîner des blessures graves, voire mortelles, ou des dommages matériels.**
- B) Ouvrez les aérations inférieures de la cuve (1).
- C) Placez les Char-Baskets™ au-dessus du brûleur (2).
- D) Appuyez sur les encoches sur le cache du contrôle du gaz (3) et ouvrez-le en le soulevant.
- E) Tournez le bouton d'allumage du gaz dans le sens inverse des aiguilles d'une montre, au moins un tour complet (4).
- ⚠ **AVERTISSEMENT : Ne vous penchez pas au-dessus du barbecue pendant l'allumage.**
- F) Appuyez sur le bouton d'allumage et maintenez-le enfoncé jusqu'à ce que le brûleur s'allume (5).
- ⚠ **ATTENTION : Il peut être difficile de voir la flamme en plein jour.**
- G) Une fois les briquettes de charbon de bois (du bas) allumées (environ 5 minutes), fermez le robinet de réglage de gaz (sens des aiguilles d'une montre).
- ⚠ **ATTENTION : Assurez-vous que le cache est complètement fermé.**
- Remarque - La durée de vie de la bouteille de gaz diminue si cette dernière est utilisée de manière prolongée.
- H) Vous pouvez commencer la cuisson lorsque les briquettes sont recouvertes d'une fine couche de cendres grises (environ 25-30 minutes).

## POUR ETEINDRE LE BARBECUE

Tournez le robinet de réglage de gaz (dans le sens des aiguilles d'une montre) jusqu'à ce qu'il soit fermé.



## ALLUMAGE MANUEL

⚠ **AVERTISSEMENT** : N'essayez pas d'allumer le barbecue manuellement sans le support d'allumette.

⚠ **DANGER**

Soulevez le couvercle avant de procéder à l'allumage. N'utilisez pas de liquides inflammables tels qu'un liquide d'allumage, du pétrole ou de l'alcool ou tout autre type de charbon de bois auto-inflammable, même lorsque vous allumez le barbecue manuellement. Vous risqueriez des blessures graves, voire mortelles.

A) Faites basculer le couvercle avant d'allumer le gaz.

⚠ **DANGER** : Vous risqueriez de créer une accumulation de gaz qui peut provoquer un incendie ou une explosion, qui peut entraîner des blessures graves, voire mortelles, ou des dommages matériels.

B) Ouvrez les aérations inférieures de la cuve (1).

C) Eloignez les Char-Baskets™ du brûleur (2).

D) Appuyez sur les encoches sur le cache du contrôle du gaz (3) et ouvrez-le en le soulevant.

E) Placez une allumette dans le support correspondant (4). Allumez l'allumette.

F) Tournez le bouton d'allumage du gaz dans le sens inverse des aiguilles d'une montre, au moins un tour complet (5).

G) Placez la flamme de l'allumette à l'arrière de la fente du brûleur (6).

⚠ **AVERTISSEMENT** : Ne placez pas votre main directement au-dessus du brûleur lorsque vous procédez à un allumage manuel.

⚠ **AVERTISSEMENT** : Ne vous penchez pas au-dessus du barbecue pendant l'allumage.

⚠ **ATTENTION** : Il peut être difficile de voir la flamme en plein jour.

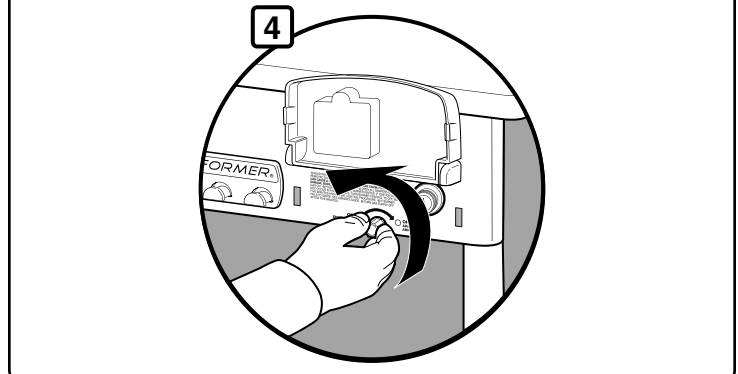
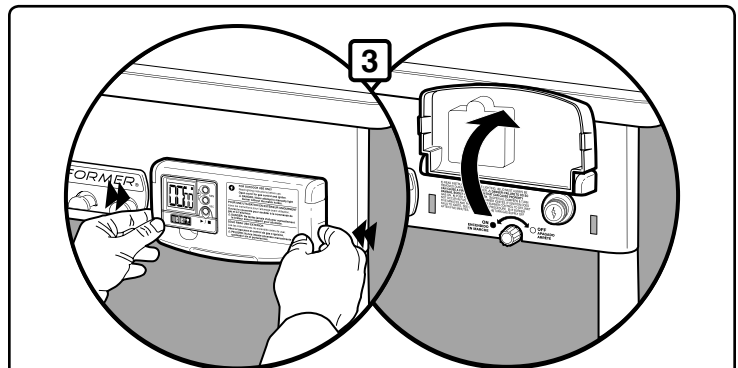
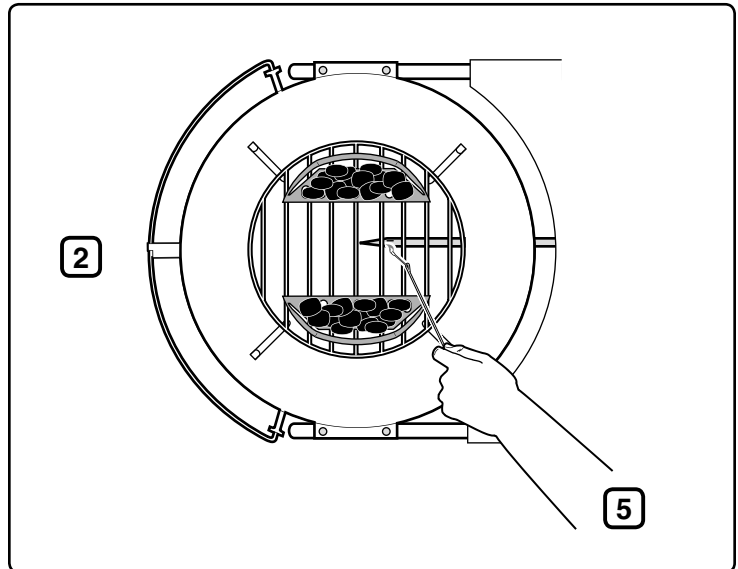
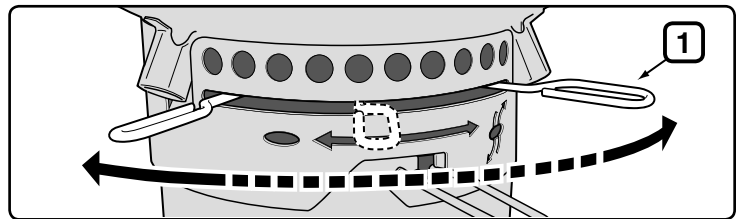
H) Mettez des gants pour barbecue et utilisez des pinces pour replacer les Char-Baskets™ au-dessus du brûleur.

I) Une fois les briquettes de charbon de bois (du bas) allumées (environ 10 minutes), fermez le robinet d'arrivée de gaz (sens des aiguilles d'une montre).

J) Vous pouvez commencer la cuisson lorsque les briquettes sont recouvertes d'une fine couche de cendres grises (environ 25-30 minutes).

## POUR ETEINDRE LE BARBECUE

Tournez le robinet de réglage de gaz sur ARRÊT (sens des aiguilles d'une montre) jusqu'à ce qu'il soit fermé.



## FONCTIONNEMENT DE LA MINUTERIE

Cette minuterie numérique de cuisson résistante à l'eau possède des fonctions de compte et de décompte en minutes et en secondes.

### Pour configurer la durée à décompter :

- Appuyez sur le bouton **MIN** (1) pour définir les chiffres des minutes. Maintenez le bouton enfoncé pour faire avancer rapidement les chiffres (configuration maximum : 99 minutes (4)).
- Appuyez sur le bouton **SEC** (2) pour configurer les chiffres des secondes. Maintenez le bouton enfoncé pour faire avancer rapidement les chiffres (configuration maximum : 59 secondes (5)).
- Appuyez sur le bouton **Start / Stop** : ► / ■ (3).
- Lorsque la durée souhaitée est atteinte, l'alarme retentira pendant 30 secondes et recommencera automatiquement un nouveau décompte de la durée configurée.

### Pour configurer la durée de minutage :

- Appuyez sur le bouton **Start / Stop** : ► / ■ . Pendant le minutage, l'affichage montrera le compte au format minutes / secondes.
- Rappuyez sur le bouton pour arrêter la minuterie. (Configuration maximum : 99 minutes (4), 59 secondes (5)).

### Pour effacer la durée :

- Appuyez à la fois sur les boutons **MIN** et **SEC** : ◁ (1)(2).

*Remarque : En cas d'utilisation dans un environnement sujet aux décharges électrostatiques, le réglage du temps de l'appareil risque d'être perdu. Le cas échéant, réinitialisez l'appareil et réglez à nouveau le temps.*

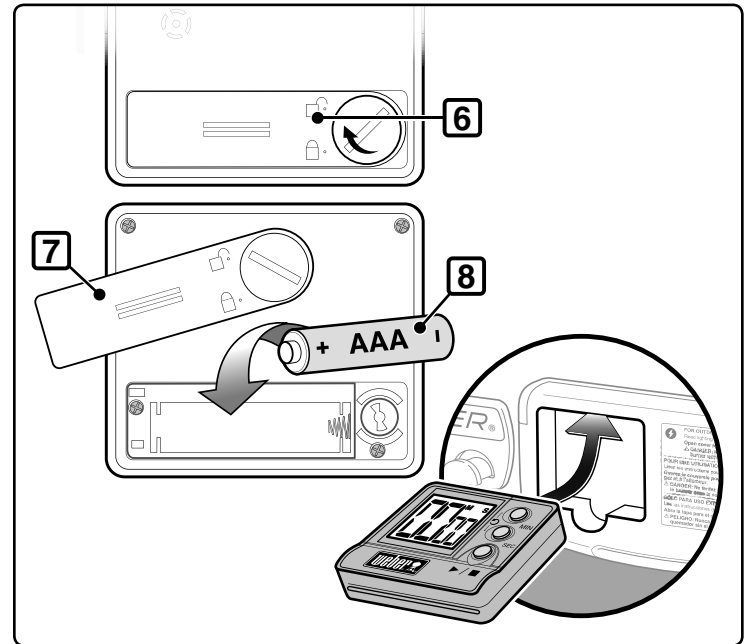
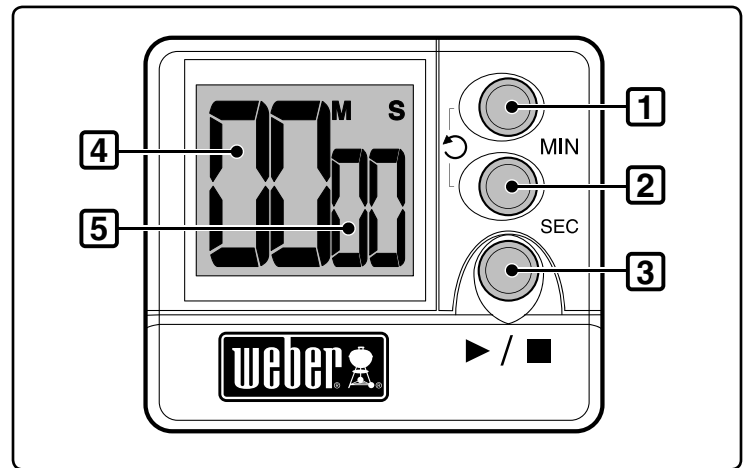
### Installation de la pile :

- Déverrouillez le couvercle de la pile à l'arrière de la minuterie (6) en faisant tourner le verrou dans le sens des aiguilles d'une montre.
- Retirez le couvercle de la pile de l'arrière de la minuterie (7).
- Remplacez la pile AAA (8).
- Remplacez le couvercle de la pile.
- Verrouillez le couvercle de la pile en faisant tourner le verrou dans le sens contraire des aiguilles d'une montre.
- Après avoir installé la pile, (0000) s'affiche sur l'écran à cristaux liquides.

### Entretien :

- Ne pas nettoyer l'appareil avec un élément abrasif ou corrosif, ce qui peut rayer les pièces de l'appareil et corroder les circuits électroniques.
- Ne pas soumettre l'appareil à tout excès de force, de choc, de poussière, de température ou d'humidité, ce qui peut entraîner le mauvais fonctionnement de l'appareil, la réduction de la durée de vie de l'électronique, l'endommagement de la pile et la distorsion des pièces.
- Ne pas toucher aux composants internes de l'appareil. Cela annulera la garantie de l'appareil et peut provoquer des dommages inutiles de la pile et des composants internes.
- Ne pas exposer l'appareil de manière excessive au soleil ou à de fortes pluies.
- Ne pas immerger l'appareil dans l'eau.

**Pour une meilleure performance de la minuterie de cuisson, il est recommandé de rentrer la minuterie à l'intérieur lorsqu'elle n'est pas utilisée.**



PROBLÈME	VERIFICATION	SOLUTION
La flamme du brûleur est jaune ou orange, et une odeur de gaz se dégage.	Vérifiez que le brûleur n'est pas obstrué.	Nettoyez le brûleur. (Voir la section "Entretien")
Le brûleur ne s'allume pas ou la flamme est très faible.	La bouteille de gaz est-elle vide (ou presque) ?	Remplacez la bouteille de gaz.
	Le flexible de gaz est-il plié ou pincé ?	Redressez le flexible de gaz.
	Le brûleur s'allume-t-il avec une allumette ?	S'il est possible d'allumer le brûleur à l'aide d'une allumette, vérifiez le système d'allumage.
	Le raccord entre le brûleur et le tuyau de gaz est-il correct ?	Raccordez le tuyau de gaz au brûleur à l'aide du clip de retenue métallique fourni. <b>⚠ DANGER: N'utilisez pas l'allumeur à gaz si le clip de retenue n'est pas présent. L'absence de clip de retenue peut provoquer des blessures graves, voire mortelles, et causer des dommages matériels.</b> Contactez votre revendeur pour obtenir un clip de retenue de rechange.
La flamme du brûleur est irrégulière.	Le brûleur est-il propre ?	Nettoyez le brûleur. (Voir la section "Entretien")
Le brûleur ne s'allume pas lorsque vous appuyez sur le bouton d'allumage.	Vérifiez que le gaz arrive aux brûleurs en essayant de les allumer avec une allumette. Reportez-vous à la section « ALLUMAGE MANUEL. »	Si vous parvenez à l'allumer avec des allumettes, le problème se situe au niveau du système d'allumage. Reportez-vous à « FONCTIONNEMENT DU SYSTÈME D'ALLUMAGE ÉLECTRIQUE. »
	Une pile neuve a-t-elle été installée ?	Vérifiez que la pile est en bon état et installée correctement. Reportez-vous à « INSPECTION DE L'ALLUMEUR ÉLECTRONIQUE. »
	Les fils sont-ils correctement branchés au module d'allumage ?	Vérifiez que les fils sont bien insérés dans les bornes du boîtier de l'allumeur. Reportez-vous à « FONCTIONNEMENT DU SYSTÈME D'ALLUMAGE ÉLECTRIQUE. »
	La nouvelle pile est-elle entourée d'un film de protection en plastique ?	Retirez la protection en plastique.
La minuterie ne fonctionne pas.	Une pile neuve a-t-elle été installée ?	Vérifiez que la pile est en bon état et installée correctement. Reportez-vous à « FONCTIONNEMENT DE LA MINUTERIE. »
L'intérieur du couvercle semble se détériorer. (Il semble s'écailler.)	Il s'agit en réalité d'une accumulation de graisse cuite carbonisée qui s'effrite. <b>CECI N'EST PAS UN DEFAULT.</b>	Nettoyez soigneusement le couvercle. (Voir section "Nettoyage")

Si les solutions proposées ne vous permettent pas de résoudre votre problème, contactez votre revendeur. Pour connaître les coordonnées de notre revendeur le plus proche, consultez notre site Web. Rendez-vous sur le site [www.barbecueweber.fr](http://www.barbecueweber.fr)

## ENTRETIEN

Si vous n'avez pas utilisé le barbecue pendant un certain temps, nous vous recommandons d'effectuer les procédures d'entretien suivantes pour votre sécurité.

- Avant chaque utilisation, vérifiez que le flexible ne présente pas d'entaille, de cassure, d'abrasion ou de coupure. Si le flexible est hors d'usage, ne vous servez pas du barbecue. Remplacez-le uniquement par une pièce de rechange d'origine Weber®. **Contactez votre revendeur. Pour obtenir les coordonnées de notre revendeur le plus proche, rendez-vous sur notre site Web. Consultez le site [www.barbecueweber.fr](http://www.barbecueweber.fr).**

**⚠ ATTENTION : Si le tuyau de gaz est endommagé de quelque manière que ce soit ou s'il présente une fuite, n'utilisez pas le barbecue.**

- Vérifiez que la flamme du brûleur est régulière (voir section "Flamme du brûleur"). Si nécessaire, nettoyez le brûleur conformément aux procédures décrites dans cette section.
- Vérifiez l'étanchéité de tous les raccords de gaz (voir section "Recherchez les fuites de gaz éventuelles").

## NETTOYAGE PERIODIQUE

Pour retirer les cendres de la cuve, agitez le levier de commande (1) d'un côté à l'autre afin que les cendres soient évacuées par les aérations de la cuve et déversées dans le cendrier.

**⚠ ATTENTION : Assurez-vous que le brûleur est en position d'arrêt ("OFF") et que le barbecue est froid avant de procéder au nettoyage.**

N'élargissez pas les fentes du brûleur lors du nettoyage.

### Pour nettoyer le brûleur :

- Brossez l'extérieur du tuyau du brûleur (2) et les fentes du brûleur (3) à l'aide d'une brosse en laiton.

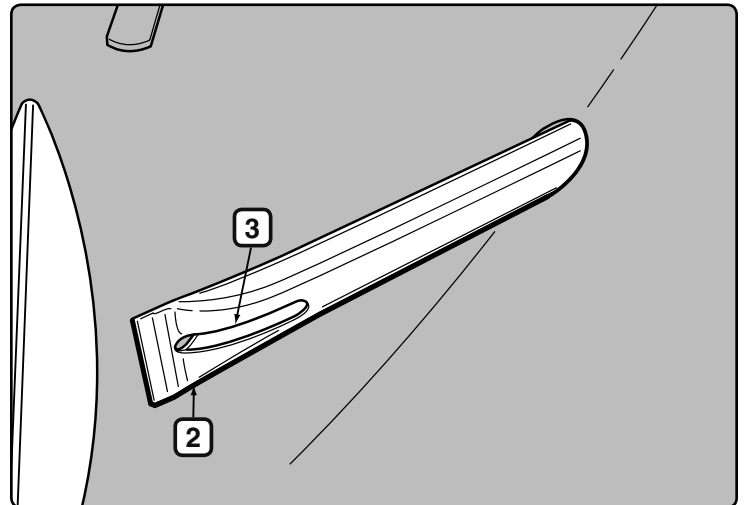
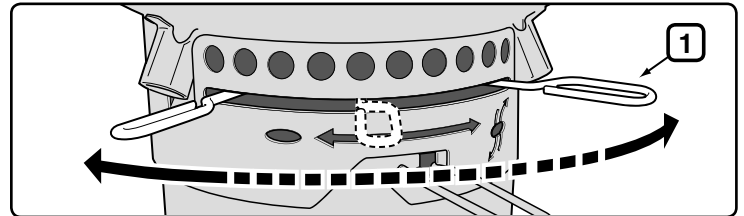
**⚠ ATTENTION : N'élargissez pas les fentes du brûleur ou l'orifice de gaz lors du nettoyage.**

### Pour nettoyer la cuve et le couvercle:

- Pendant que le couvercle est tiède, nettoyez l'intérieur à l'aide d'une éponge pour éviter l'accumulation de graisse.
- Pour les surfaces extérieures, utilisez une solution savonneuse tiède et rincez abondamment à l'eau claire.

### Pour un nettoyage plus approfondi (à effectuer une fois par an) :

- Retirez les cendres une fois qu'elles sont complètement éteintes.
- Retirez les grilles et les paniers à charbon Char-Baskets™.
- Essuyez avec une éponge. Nettoyez avec un liquide vaisselle neutre et de l'eau tiède. Rincez abondamment à l'eau claire et essuyez.



## RANGEMENT

- Lorsque le Performer est rangé à l'intérieur, l'arrivée de gaz doit être déconnectée et la bouteille de gaz doit être stockée à l'extérieur dans un espace correctement ventilé.
- Les bouteilles de gaz doivent être stockées à l'extérieur dans un espace correctement ventilé, hors de la portée des enfants. Ils ne doivent pas être stockés dans un bâtiment, un garage ou tout autre espace fermé.
- Si vous avez stocké et / ou n'avez pas utilisé le barbecue pendant une certaine période, vérifiez que le barbecue ne présente aucune fuite de gaz et que le brûleur n'est pas obstrué avant de l'utiliser (voir section "Entretien").
- Assurez-vous que les zones autour de l'assemblage du détendeur - bouteille de gaz et du tuyau de gaz - brûleur ne contiennent pas de résidus qui pourraient obstruer le flux de gaz ou d'air.



**AVERTISSEMENT CONCERNANT LES INSECTES**

Le Performer, comme tout appareil à gaz d'extérieur, peut être une cible pour les araignées et les insectes. Ils peuvent s'installer dans la section du diffuseur (1) du brûleur, ce qui provoquera un retour du gaz arrivé à l'obturateur d'air.

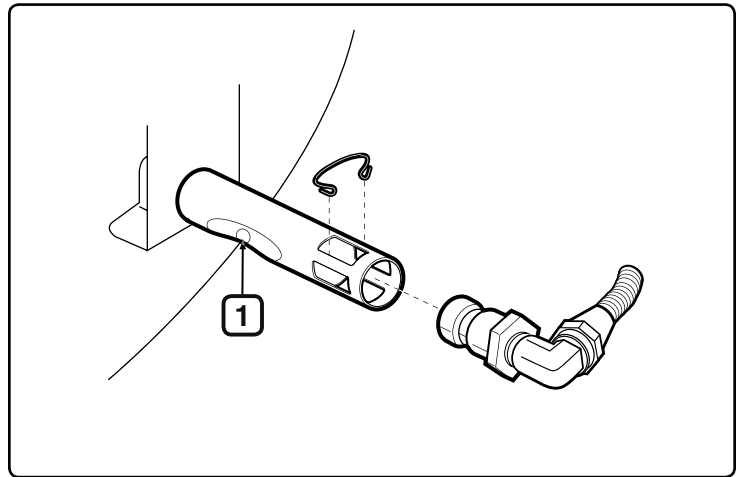
Ceci risque de provoquer un incendie dans le brûleur, à proximité et sous le panneau de la cuve. Le barbecue pourrait être gravement endommagé et il ne serait plus utilisable.

Nous vous recommandons fortement de vérifier et de nettoyer le brûleur au moins une fois par an, ou si les symptômes suivants se produisent :

- A) Odeur de gaz, et flammes du brûleur jaunes et faibles.
- B) Petites explosions dans le brûleur.

**⚠ DANGER**

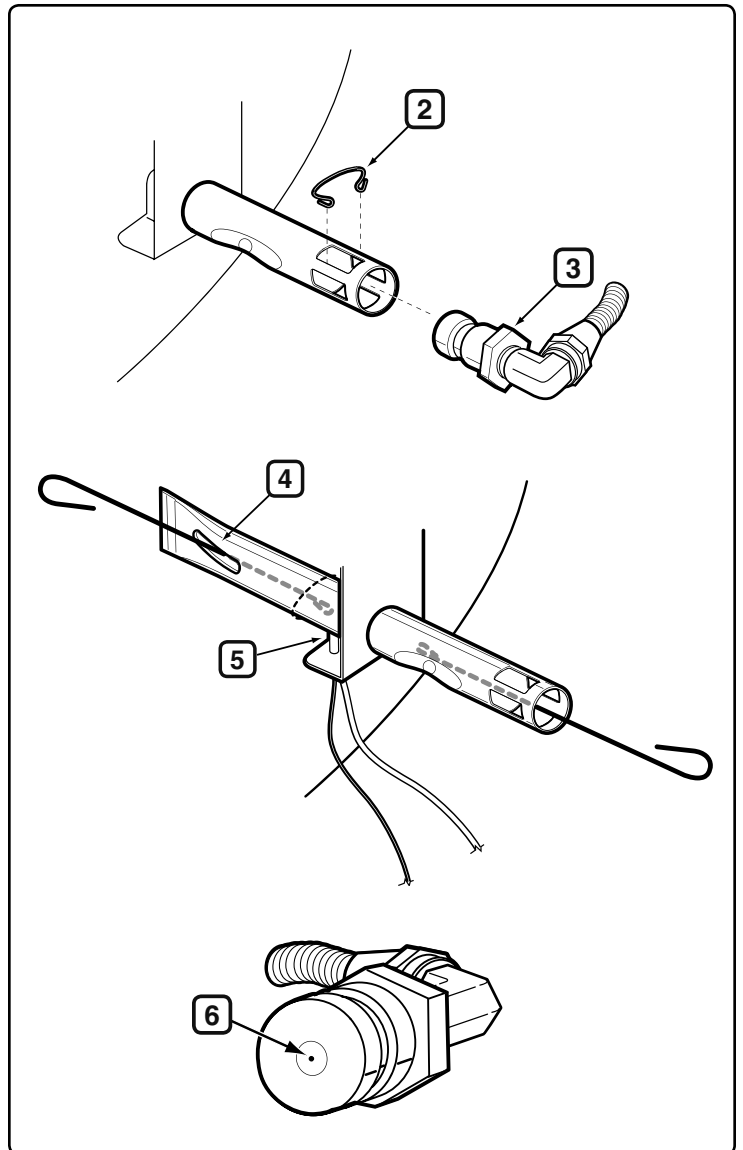
**Si vous ne résolvez pas ces problèmes, vous risquez de provoquer un incendie pouvant entraîner des blessures graves, voire mortelles, et des dommages matériels.**

**INSPECTION ET NETTOYAGE DU BRULEUR**

- A) Eteignez le gaz.
- B) Retirez la cuve de stockage CharBin™.
- C) Retirez le clip de l'orifice (2) et le raccord du flexible (3) du brûleur.
- D) Inspectez l'intérieur à l'aide d'une lampe torche.
- E) Nettoyez l'intérieur des brûleurs avec le support d'allumette (fourni). Utilisez le support d'allumette pour nettoyer la zone des obturateurs d'air, la section du diffuseur et les fentes du brûleur (4) à l'intérieur de la cuve. Veillez à ne pas endommager l'électrode de l'allumeur lorsque vous insérez l'outil de nettoyage du brûleur (5).
- F) Vérifiez de nouveau avec la lampe torche qu'il n'existe aucune obstruction.
- G) Si nécessaire, la surface du raccord de flexible peut être nettoyée à l'aide d'une brosse en laiton. L'orifice (6) peut être nettoyé avec une petite aiguille.

**⚠ ATTENTION : N'élargissez pas l'orifice lors du nettoyage.**

- H) Assemblez de nouveau les pièces en effectuant les étapes C et B.

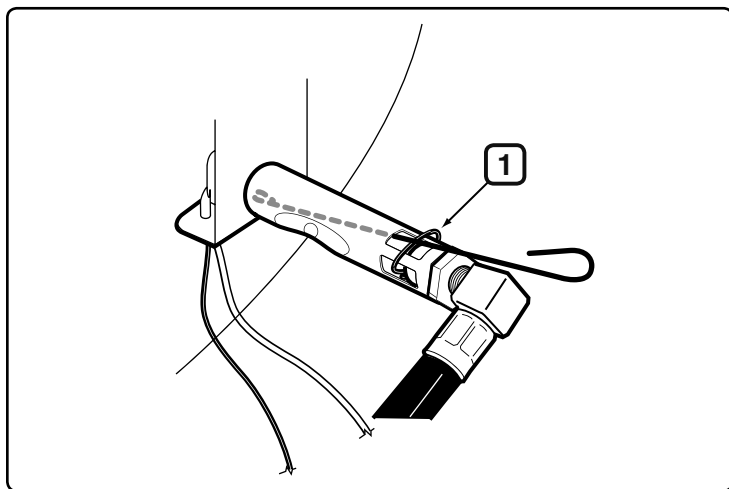


### NETTOYAGE PERIODIQUE RAPIDE

Nous vous recommandons de brosser régulièrement l'extérieur des fentes du brûleur avec une brosse en laiton et de nettoyer le tuyau du brûleur jusqu'à l'aération de combustion avec le porte-allumette fourni.

Pour cela, recherchez l'aération de combustion du brûleur (1) sous l'attache de la cuve et insérez l'outil dans chaque aération de combustion en le faisant tourner. Veillez à ne pas endommager l'électrode de l'allumeur lorsque vous insérez le porte-allumette.

**⚠ ATTENTION : Il est important d'augmenter la fréquence de nettoyage au printemps et en été.**

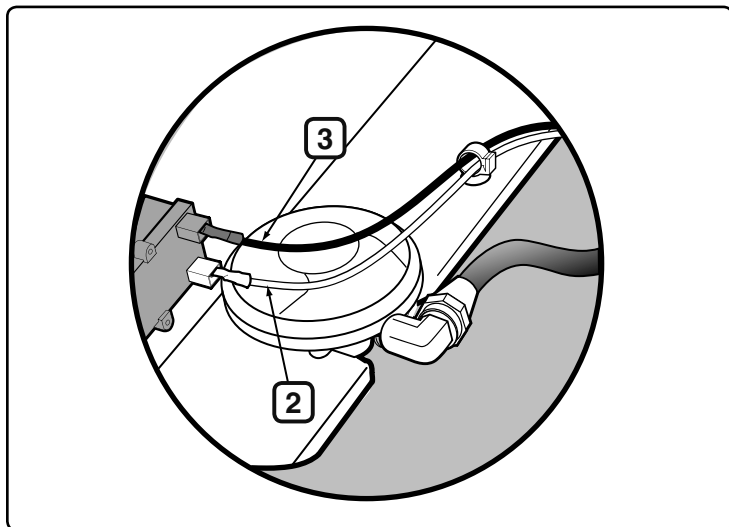


### INSPECTION DE L'ALLUMAGE ÉLECTRONIQUE

Si le système d'allumage électronique ne fonctionne pas, vérifiez la présence d'un débit de gaz en essayant d'allumer votre brûleur avec une allumette. Reportez-vous à la section « ALLUMAGE MANUEL ». Si vous parvenez à l'allumer avec une allumette, le problème se situe au niveau du système d'allumage électronique.

**⚠ AVERTISSEMENT : La vanne d'alimentation en gaz et le bouton de réglage de gaz doivent être en position « OFF » (arrêt).**

- Vérifiez que la pile AAA (alcaline uniquement) est en bon état et qu'elle est correctement installée (1). Certaines piles sont entourées d'un film de protection en plastique, qui doit être enlevé. Ne confondez pas cette protection avec l'étiquette de la pile.
- Vérifiez que les câbles d'allumage blanc (2) et noir (3) sont correctement fixés.
- Vérifiez que le bouton d'allumage électronique fonctionne en écoutant si des cliquetis sont audibles et en vérifiant la présence d'étincelles au niveau du brûleur.
- Vérifiez que l'allumeur est correctement fixé au cadre. Si nécessaire, resserrez ; voir aussi « Installation » pour la bonne procédure.



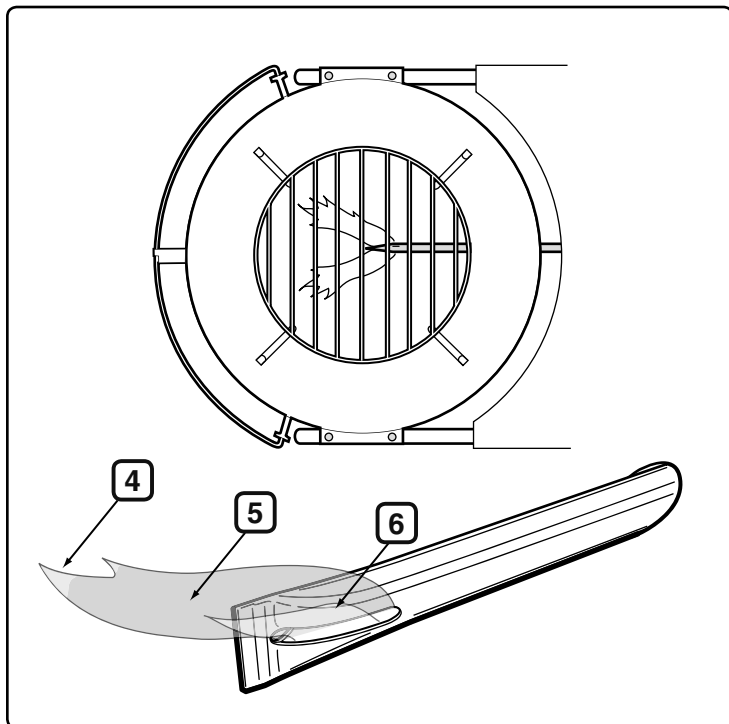
### Remplacez La Pile Si Nécessaire

*Pile alcaline AAA uniquement.*

**Si le dysfonctionnement du système d'allumage électronique persiste, contactez le service client Weber de votre région. Vous trouverez ses coordonnées sur notre site Web à l'adresse [www.weber.com](http://www.weber.com).**

### FLAMME DU BRÛLEUR

Le brûleur a été réglé en usine pour le mélange d'air et de gaz correct. Une flamme correcte doit être jaune au bout (4), bleu foncé au milieu (5) et bleu clair à la sortie du tuyau du brûleur (6). Si la flamme ne correspond pas à celle indiquée ou si de petites explosions se produisent, suivez la procédure de nettoyage du brûleur.



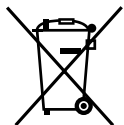


Lined writing area consisting of multiple horizontal lines for text entry.

**⚠ ATTENTION : ce produit a été soumis à des tests de sécurité. Il est homologué uniquement pour une utilisation dans un pays donné. Consultez l'emballage extérieur pour plus d'informations sur le pays d'utilisation correspondant.**

Ces pièces peuvent être des composants de transfert ou de combustion de gaz. Contactez le service clientèle de Weber-Stephen Products LLC pour en savoir plus sur les pièces de rechange Weber-Stephen Products LLC d'origine.

**⚠ AVERTISSEMENT : ne tentez pas d'effectuer des réparations sur des composants d'acheminement ou de combustion de gaz sans contacter préalablement le service clientèle de Weber-Stephen Products LLC ou votre revendeur Weber. Le non-respect du présent avertissement peut donner lieu à un incendie ou à une explosion susceptible de provoquer des blessures graves, voire mortelles, ainsi que des dommages matériels.**



**Ce symbole indique que le produit ne doit pas être éliminé avec les déchets ménagers. Pour en savoir plus sur la mise au rebut appropriée de ce produit en Europe, rendez-vous sur le site Web [www.weber.com](http://www.weber.com)® et contactez l'importateur spécifié pour votre pays. Si vous ne disposez pas d'accès à Internet, contactez votre revendeur qui vous fournira le nom, l'adresse et le numéro de téléphone de l'importateur.**

Si vous décidez d'éliminer votre barbecue, vous devez démonter tous les composants électriques (moteur de rôtissoire, batteries, module d'allumage, lampes des poignées) et les éliminer indépendamment du barbecue, conformément à la réglementation DEEE.



WEBER-STEPHEN PRODUCTS LLC  
[www.weber.com](http://www.weber.com)®

# PERFORMER® DELUXE

Manuale d'uso per barbecue a carbone

Montaggio - p. 5

#54785



**PRIMA DI UTILIZZARE IL BARBECUE A GAS LEGGERE IL MANUALE D'USO**

## **⚠ PERICOLO**

Se si avverte odore di gas:

1. Chiudere il gas.
2. Spegnerne eventuali fiamme libere.
3. Aprire il coperchio.
4. Se si continua ad avvertire odore di gas, tenersi a distanza dall'apparecchio e contattare immediatamente il proprio fornitore del gas o i vigili del fuoco.

Le fughe di gas possono provocare incendi o esplosioni e causare lesioni personali gravi o mortali, o danni alle cose.

## **⚠ AVVERTENZA:**

1. Non riporre né utilizzare benzina o altri vapori o liquidi infiammabili nelle vicinanze di questo o altri dispositivi.
2. Eventuali bombole di gas non utilizzate non devono essere riposte nelle vicinanze di questo o altri dispositivi.

**⚠ AVVERTENZA:** prima di utilizzare il barbecue, seguire attentamente tutte le procedure per il rilevamento di perdite di gas contenute nel presente manuale. Attenersi a questa precauzione anche se il barbecue è stato assemblato dal rivenditore.

**⚠ AVVERTENZA:** non tentare di accendere il barbecue a gas Weber® senza aver prima letto le istruzioni per l'“Accensione” contenute nel presente manuale.

**INFORMAZIONI PER L'INSTALLATORE:**  
Il proprietario deve conservare il presente manuale per eventuali usi futuri.

**IL BARBECUE DEVE ESSERE UTILIZZATO ESCLUSIVAMENTE ALL'APERTO.**

**LA MANCATA OSSERVANZA DELLE PRESENTI INDICAZIONI DI PERICOLO, AVVERTENZA E ATTENZIONE PUÒ CAUSARE LESIONI PERSONALI GRAVI O MORTALI, INCENDI O ESPLOSIONI CON CONSEGUENTI DANNI ALLE COSE.**

- ⚠ IL SIMBOLO DI SICUREZZA ( ⚠ ) richiama l'attenzione su importanti informazioni di SICUREZZA.
- ⚠ Le indicazioni di PERICOLO, AVVERTENZA o ATTENZIONE vengono abbinate al SIMBOLO DI SICUREZZA.
- ⚠ PERICOLO indica un rischio grave.
- ⚠ Prima di utilizzare il barbecue leggere tutte le informazioni sulla sicurezza contenute nel presente manuale d'uso.

#### ⚠ PERICOLI

- ⚠ La mancata osservanza dei messaggi di Pericolo, Avvertenza e Attenzione contenuti nel presente Manuale d'uso può causare lesioni personali gravi o mortali, incendi o esplosioni e danni alle cose.
- ⚠ Non utilizzare in ambienti chiusi! Il barbecue è progettato per essere utilizzato esclusivamente all'aperto. Se utilizzato in luoghi chiusi, potrebbe sviluppare fumi tossici, con conseguenti lesioni personali gravi o mortali.
- ⚠ Utilizzare il barbecue solo all'esterno in un luogo ben ventilato. Non utilizzarlo in garage, edifici, portici o altri luoghi chiusi.
- ⚠ Non utilizzare il barbecue sotto una copertura in materiale combustibile.
- ⚠ Un montaggio mal eseguito può essere pericoloso. Seguire le istruzioni di montaggio contenute nel presente manuale. Non utilizzare il barbecue se tutte le sue parti non sono montate correttamente. Assicurarsi che il raccogliceneri sia fissato correttamente sotto il braciere del barbecue oppure che l'ampio cassetto raccogliceneri sia posizionato correttamente prima di accendere il barbecue.
- ⚠ Non aggiungere liquidi accendifuoco o carbone imbevuto di tali liquidi al carbone caldo o rovente. Richiudere il contenitore del liquido accendifuoco dopo l'uso e posizionarlo ad una distanza di sicurezza dal barbecue.
- ⚠ Non utilizzare benzina, liquidi accendifuoco o alcol sul carbone. Non utilizzare alcuna forma di carbone autocombustibile.
- ⚠ Durante l'utilizzo del barbecue prestare la massima cautela. Durante la cottura può raggiungere temperature elevate, pertanto si consiglia di non lasciarlo mai incustodito.
- ⚠ Assicurarsi che bambini o animali non si avvicinino da soli al barbecue rovente.
- ⚠ Non tentare di spostare il barbecue quando è ancora caldo.
- ⚠ Nell'utilizzare il barbecue, assicurarsi che vi sia una distanza minima di 1,5 m da eventuali materiali combustibili. Tra i materiali combustibili rientrano anche, ad esempio, coperture, terrazzi e portici in legno o legno trattato.
- ⚠ Assicurarsi che eventuali materiali combustibili vengano mantenuti ad una distanza di 60 cm dalla parte superiore, fondo, retro e parti laterali del barbecue.
- ⚠ Tenere l'area di cottura libera da vapori e liquidi infiammabili come ad esempio benzina, alcol, materiali combustibili, ecc.
- ⚠ Prima di rimuovere le ceneri, attendere che il carbone sia completamente bruciato e spento e che il barbecue si sia raffreddato.
- ⚠ Posizionare sempre il carbone nei cesti Char-Baskets™ oppure sulla griglia (del carbone) inferiore. Non disporre il carbone direttamente sul fondo del braciere.
- ⚠ Durante l'accensione o l'utilizzo del barbecue, non indossare abiti che possano impigliarsi.
- ⚠ Non chinarsi sul barbecue durante l'accensione del bruciatore.
- ⚠ Non utilizzare il barbecue in presenza di forte vento.
- ⚠ Non utilizzare il barbecue se si riscontra una perdita di gas.
- ⚠ Non utilizzare fiamme per il rilevamento di eventuali fughe di gas.
- ⚠ Nel caso in cui il bruciatore dovesse spegnersi durante l'utilizzo, chiudere la valvola della bombola. Togliere il coperchio ed attendere cinque minuti prima di tentare di riaccenderlo. Attenersi alle istruzioni per l'accensione contenute nel presente manuale.
- ⚠ Non tentare di scollegare il regolatore del gas dalla bombola o altri raccordi durante l'utilizzo del barbecue.
- ⚠ Utilizzare esclusivamente il regolatore di GPL fornito con il barbecue.

#### ⚠ AVVERTENZE

- ⚠ Per l'allacciamento del regolatore, seguire le istruzioni specifiche per il proprio tipo di barbecue a gas.
- ⚠ Non tenere cartucce usa e getta di GPL sotto il barbecue o nelle sue vicinanze.
- ⚠ Posizionare sempre il barbecue su di una superficie piana e stabile, lontano da materiali combustibili.
- ⚠ Non mettere la copertura del barbecue o eventuali sostanze infiammabili nel vano che si trova sotto il barbecue o al suo interno.
- ⚠ Prima di accendere il bruciatore rimuovere sempre il coperchio manualmente o utilizzando l'accenditore. NON riposizionare il coperchio fino a quando il carbone non si sarà acceso completamente.
- ⚠ Non toccare mai la griglia di cottura o del carbone, le ceneri, il carbone o il barbecue per verificarne la temperatura.
- ⚠ Non utilizzare pietra lavica o pietra pomice nel barbecue.
- ⚠ Non utilizzare acqua per controllare le fiammate o spegnere il carbone perchè potrebbe danneggiare il rivestimento porcellanato. Socchiudere le prese d'aria inferiori (valvole di tiraggio) quindi posizionare il coperchio sul braciere.
- ⚠ Spegnerle le braci una volta terminata la cottura. Chiudere tutte le prese d'aria (valvole di tiraggio) dopo aver posizionato il coperchio sul braciere.
- ⚠ Durante la cottura, la regolazione delle prese d'aria (valvole di tiraggio), l'aggiunta di carbone e la movimentazione del termometro o del coperchio, utilizzare sempre guanti per barbecue.
- ⚠ Utilizzare utensili per barbecue appropriati con manici lunghi e resistenti al calore.
- ⚠ Alcuni modelli sono dotati del fermacoperchio Tuck-Away™. Il fermacoperchio Tuck-Away™ serve per fermare il coperchio quando si deve controllare o girare il cibo. Non utilizzare il fermacoperchio Tuck-Away™ come maniglia per sollevare o spostare il barbecue. Non appoggiare il coperchio bollente su moquette o erba. Non appendere il coperchio alla maniglia del braciere.

- ⚠ Non gettare le braci roventi in punti dove potrebbero essere calpestate o dove potrebbero rappresentare una causa di incendio. Non smaltire le ceneri o le braci prima che siano completamente spente. Non riporre il barbecue prima che le ceneri e le braci siano completamente spente.
- ⚠ Maneggiare e riporre con cura gli accenditori elettrici.
- ⚠ Mantenere una certa distanza tra i cavi elettrici e le superfici calde del barbecue e le zone di passaggio frequente.
- ⚠ Dopo un periodo di immagazzinamento e/o non utilizzo, verificare che non vi siano perdite di gas e che i bruciatori non siano ostruiti. Consultare le istruzioni contenute nel presente manuale per le corrette procedure.
- ⚠ È pericoloso convertire o cercare di utilizzare il metano con il barbecue. In tale evenienza la garanzia sarà annullata.
- ⚠ Una cartuccia usa e getta di GPL arrugginita o ammaccata potrebbe essere pericolosa e deve essere controllata dal proprio fornitore di GPL. Non utilizzare cartucce usa e getta di GPL con la valvola danneggiata.
- ⚠ Anche una cartuccia apparentemente vuota potrebbe contenere ancora del gas. Tenere in considerazione questa possibilità al momento di trasportare e riporre la cartuccia usa e getta di GPL.
- ⚠ Qualora si dovessero riscontrare perdite di gas dalla cartuccia usa e getta di GPL:
  1. Mantenersi a distanza dalla cartuccia.
  2. Non cercare di rimediare al problema da soli.
  3. Chiamare i vigili del fuoco.

⚠ MESSAGGI DI ATTENZIONE

- ⚠ Non rivestire il braciere con fogli di carta di alluminio per non ostruire il flusso dell'aria. Preferire l'utilizzo di una vaschetta "raccolti-grasso" durante il metodo di cottura indiretto.
- ⚠ L'utilizzo di oggetti appuntiti per pulire la griglia di cottura o rimuovere le ceneri può danneggiarne il rivestimento.
- ⚠ L'impiego di detergenti abrasivi sulle griglie di cottura o sul barbecue stesso potrebbe danneggiarne il rivestimento.
- ⚠ Effettuare regolarmente la pulizia completa del barbecue.

GARANZIA

Weber-Stephen Products LLC (Weber®) con la presente garantisce l'ACQUIRENTE ORIGINALE del presente barbecue a gas Weber® contro difetti di materiale o di lavorazione dalla data dell'acquisto come indicato di seguito:

<b>Griglie di cottura e del carbone</b>	<b>2 anni</b>
<b>Sistema di pulizia One-Touch™</b>	
<b>Alette in acciaio alluminato</b>	<b>5 anni</b>
<b>Sistema di pulizia in acciaio inossidabile One-Touch™</b>	<b>10 anni</b>
<b>Braciere e coperchio - contro perforazioni da ruggine o fusione</b>	<b>10 anni</b>
<b>Maniglie in nylon</b>	<b>10 anni</b>
<b>Parti in materiali termoindurenti/termoplastici (Performer®)</b>	<b>10 anni</b>
	<b>scolorimenti esclusi</b>
<b>Tutti gli altri componenti</b>	<b>2 anni</b>

se assemblate e utilizzate conformemente alle istruzioni stampate fornite con il barbecue. Weber potrebbe richiedere una prova della data di acquisto. PER QUESTO MOTIVO SI RICHIEDE DI CONSERVARE LO SCONTRINO O LA FATTURA D'ACQUISTO.

La presente Garanzia sarà limitata alla riparazione o alla sostituzione delle parti risultate difettose in normali condizioni di utilizzo e manutenzione e che, sottoposte a esame, mostrino, a giudizio di Weber, di essere difettose. Prima di procedere alla restituzione di qualsiasi componente, contattare il responsabile del Servizio Assistenza Clienti di zona rintracciabile sul nostro sito web. Weber, qualora constatasse il difetto e accettasse il reclamo, potrà decidere di sostituire tali parti a titolo gratuito. Ne caso in cui si richieda di restituire componenti difettosi, le spese di spedizione dovranno essere prepagate. Weber restituirà i componenti all'acquirente, con trasporto o affrancatura prepagati.

La presente Garanzia non copre difetti o problemi di funzionamento dovuti ad incidenti, utilizzo inadeguato o improprio, modifica, impiego errato, vandalismo, installazione o manutenzione non corrette, mancata esecuzione della manutenzione ordinaria e straordinaria, inclusi, ma non limitatamente a, i danni causati dall'ingresso di insetti nei tubi dei bruciatori, come esposto nel presente manuale d'uso.

Non sono coperti dalla presente Garanzia il deterioramento o i danni derivanti da fenomeni atmosferici particolarmente gravi, quali grandine, uragani, terremoti o trombe d'aria, né lo scolorimento dovuto all'esposizione a sostanze chimiche, in modo diretto o in quanto presenti nell'atmosfera.

Non esistono altre garanzie espresse oltre a quanto esposto nella presente ed eventuali altre garanzie implicite applicabili di commerciabilità e idoneità sono limitate nella durata al periodo di copertura della presente Garanzia espressamente scritta. Alcuni paesi non ammettono limitazioni sulla durata di una garanzia implicita, pertanto questa limitazione potrebbe non essere applicabile nel vostro caso specifico.

Weber non è responsabile per eventuali danni particolari, accidentali o indiretti. Alcuni paesi non ammettono l'esclusione o la limitazione dei danni accidentali o indiretti, pertanto questa limitazione potrebbe non essere applicabile nel vostro caso specifico.

Weber non autorizza qualsivoglia persona o società ad assumere per suo conto qualsiasi altra obbligazione o responsabilità in relazione alla vendita, installazione, uso, rimozione, restituzione o sostituzione delle sue apparecchiature; e tali istanze non saranno impegnative per Weber.

La presente Garanzia è applicabile esclusivamente ai prodotti venduti al dettaglio.

**Collegatevi al sito [www.weber.com](http://www.weber.com), selezionate il vostro paese e registrate il vostro barbecue oggi.**

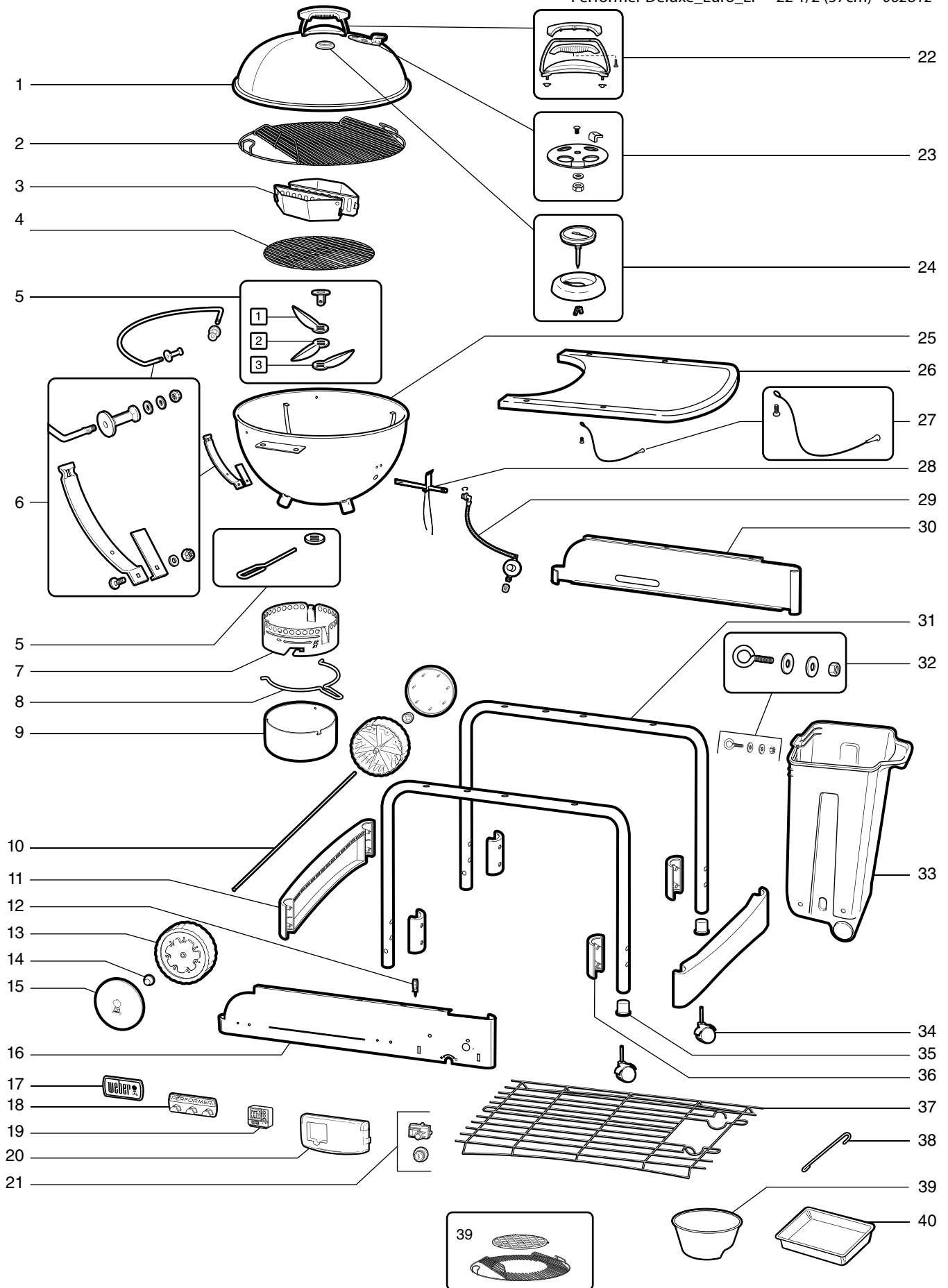
**SOSTITUZIONE GRUPPO VALVOLA, REGOLATORE E TUBO**

⚠ **AVVISO IMPORTANTE: È consigliabile sostituire il tubo del gas del barbecue a gas Weber ogni 5 anni. In alcuni paesi la normativa richiede la sostituzione del tubo del gas a intervalli inferiori ai 5 anni; in questo caso si raccomanda di seguire i requisiti del paese.**

**Per la sostituzione dei gruppi tubo flessibile, regolatore e valvola, contattare il Servizio Assistenza Clienti, consultando l'area contatti del nostro sito web. Visitare [www.weber.com](http://www.weber.com).**

PAESE		TIPO DI GAS E PRESSIONE
Danimarca, Svezia, Norvegia, Finlandia, Inghilterra, Olanda, Regno Unito, Francia, Spagna, Portogallo, Belgio, Irlanda, Grecia, Lussemburgo, Italia, Germania e Austria		I <sub>3B/P</sub> - 29mbar
CONSUMO		
Accensione del bruciatore. Max		
Miscela di propano/butano	kW (ora)	gm (ora)
	2,6	192

Performer Deluxe\_Euro\_LP - 22 1/2 (57cm) 062812





- |                                               |                                                    |                                          |
|-----------------------------------------------|----------------------------------------------------|------------------------------------------|
| 1. Coperchio                                  | 15. Copriruota                                     | 29. Tubo e Regolatore con fermo per foro |
| 2. Griglia di cottura incernierata            | 16. Pannello frontale                              | 30. Pannello posteriore                  |
| 3. Char-Baskets™                              | 17. Targhetta logo                                 | 31. Gambe                                |
| 4. Griglia del carbone                        | 18. Portaposate                                    | 32. Bulloneria CharBin™                  |
| 5. Sistema di Pulizia One-Touch™              | 19. Timer da Cucina Digitale                       | 33. CharBin™                             |
| 6. Fermacoperchio e Gruppo supporto inferiore | 20. Coperchio comando del gas                      | 34. Ruote piroettanti                    |
| 7. Anello raccogli cenere                     | 21. Pulsante di Accensione / Sistema di Accensione | 35. Inserti ruote piroettanti            |
| 8. Maniglia raccogli cenere                   | 22. Gruppo maniglia coperchio                      | 36. Morsetto staffa per gambe            |
| 9. Ampio cassetto raccogli cenere             | 23. Gruppo valvole di tiraggio coperchio           | 37. Scaffale grigliato inferiore         |
| 10. Asse                                      | 24. Gruppo termometro                              | 38. Portafiammiferi                      |
| 11. Staffa per gambe                          | 25. Braciere                                       | 39. Vaschetta per Carbone                |
| 12. Perno con anello per cavo accenditore     | 26. Ripiano                                        | 40. Leccarda monouso                     |
| 13. Ruota                                     | 27. Cinghia di fissaggio CharBin™                  |                                          |
| 14. Tappo del mozzo                           | 28. Gruppo bruciatore                              |                                          |

**IL BARBECUE PUÒ ESSERE PROVVISORIO DI:**

41. Griglia per scottare i cibi con griglia di cottura incernierata

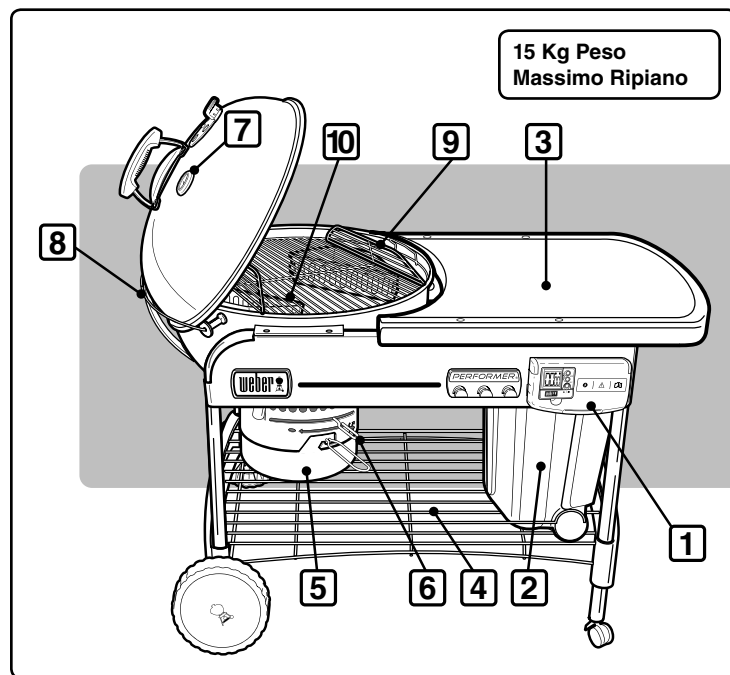
Per eventuali domande o consigli sull'utilizzo in sicurezza del barbecue, visitare il sito [www.weber.com](http://www.weber.com).

- Le istruzioni contenute nel presente manuale vi forniranno le nozioni minime di montaggio per il barbecue a gas Weber®. Prima di utilizzare il barbecue Weber® leggere attentamente le istruzioni. Un montaggio mal eseguito può essere pericoloso.
- Il barbecue non deve essere utilizzato dai bambini.
- Il presente barbecue Weber® è stato progettato per essere utilizzato esclusivamente con propano o con una miscela di gas butano/propano. Non utilizzare gas metano. La valvola e il regolatore sono adatti per essere utilizzati esclusivamente con propano o con una miscela di gas butano/propano.
- Il presente barbecue a gas Weber® non ha una destinazione d'uso commerciale.

## CARATTERISTICHE

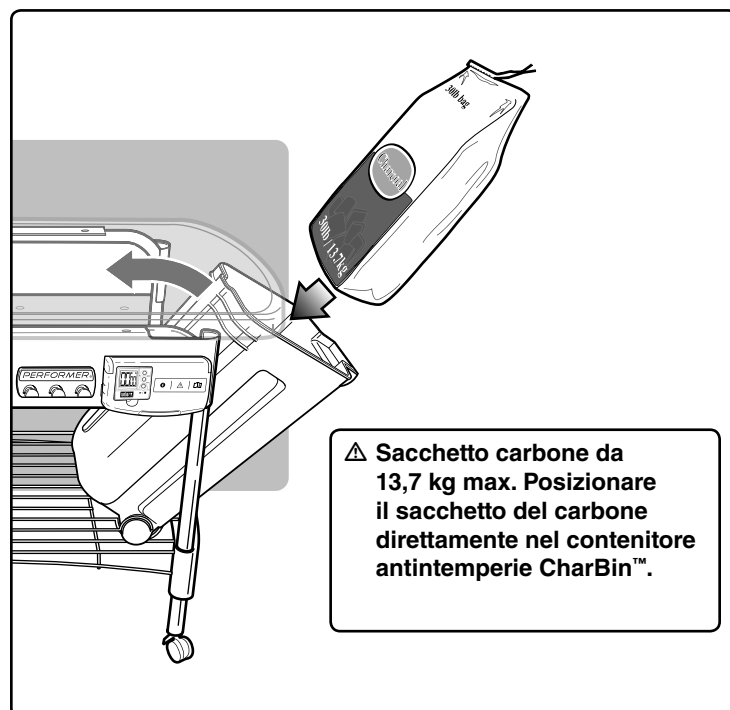
- A) L'esclusivo sistema di accensione Touch-N-Go™ evita il problema di dover accendere le bricchette di carbone (1). È sufficiente tenere premuto il pulsante e il bruciatore inizierà in automatico ad accendere il carbone. Non dovrete più utilizzare pericolosi e sgradevoli liquidi accenditori.
- B) Il contenitore antintemperie CharBin™ può alloggiare un sacchetto di carbone del peso massimo di 13,7 kg (2). Posizionare il sacchetto del carbone direttamente nel contenitore antintemperie CharBin™.
- C) Il ripiano di lavoro in materiale termoindurente rappresenta un'ottima superficie di lavoro e, coprendo il contenitore antintemperie CharBin™, consente di mantenere asciutte le bricchette (3).
- D) Pratico e comodo scaffale grigliato inferiore (4).
- E) L'ampio cassetto raccogli-ceneri si blocca in posizione impedendo che le ceneri vengano sollevate (5).
- F) Il sistema di pulizia One-Touch® spazza via le ceneri con facilità o apre/chiude le prese d'aria (6).
- G) Il termometro consente di controllare la temperatura di cottura nel barbecue (7).
- H) Il coperchio Tuck-Away™ scivola indietro agganciandosi al fermacoperchio in acciaio inossidabile e funge da schermo durante l'accensione delle bricchette (8).
- I) Le sezioni incernierate si aprono sulla griglia di cottura per facilitare l'aggiunta di bricchette o di trucioli di legno durante la cottura (9).
- J) I cesti porta-carbone Char-Basket™ sono pratici e comodi sia per la cottura diretta che per quella indiretta con legna o carbone (10).

- L'uso di alcol e/o farmaci potrebbe pregiudicare le capacità dell'utilizzatore di assemblare il dispositivo correttamente o di utilizzarlo in sicurezza.
- Il presente barbecue Weber® non è stato progettato come stufa e non deve mai essere utilizzato come tale.
- Non lasciare incustodito il barbecue Weber®. Tenere sempre bambini e animali lontano dal barbecue Weber®.
- Controllare che nella zona sottostante al pannello di controllo e al vassoio "raccogli-grasso" non vi siano residui che possano ostruire il flusso dell'aria di ventilazione o combustione.
- Le parti sigillate dal costruttore non devono essere modificate dall'utilizzatore.
- Qualsiasi modifica apportata al dispositivo è potenzialmente pericolosa.



## AREA DI UTILIZZO

- ⚠ **AVVERTENZA:** utilizzare il barbecue solo all'esterno in un luogo ben ventilato. Non utilizzarlo in garage, edifici, portici o altri luoghi chiusi.
- ⚠ **AVVERTENZA:** le parti esposte del barbecue potrebbero essere molto calde. Tenere i bambini a distanza.
- ⚠ Non utilizzare il barbecue sotto una copertura in materiale combustibile.
- ⚠ Il barbecue Weber® non deve essere utilizzato in imbarcazioni e/o veicoli a uso ricreativo.
- ⚠ Assicurarsi che eventuali materiali combustibili vengano mantenuti ad una distanza di 60 cm dalla parte superiore, fondo, retro e parti laterali del barbecue.
- ⚠ Durante l'utilizzo il barbecue raggiunge temperature elevate. Non lasciarlo incustodito.
- ⚠ Tenere i cavi elettrici e i tubi di alimentazione del combustibile lontani da tutte le superfici calde.
- ⚠ Tenere l'area di cottura libera da vapori e liquidi infiammabili come ad esempio benzina, alcol, materiali combustibili, ecc.
- ⚠ Non spostare l'apparecchio durante l'utilizzo. Aspettare che si raffreddi.
- ⚠ Il barbecue non è stato progettato come stufa e non deve mai essere utilizzato come tale.



**COLLEGAMENTO DELLA CARTUCCIA USA E GETTA DI GPL**

Utilizzare cartucce usa e getta di GPL di capacità compresa tra un minimo di 430g e un massimo di 460g. La cartuccia deve essere provvista di una valvola EN417, come mostrato in figura. Tra i tipi di cartuccia utilizzabili vi sono la Primus modello 2202 o la Weber Q usa e getta per barbecue a gas.

**⚠ ATTENZIONE: utilizzare esclusivamente bombole marcate Propano o miscela Propano-Butano.**

Spingere la cartuccia usa e getta di GPL nel regolatore e ruotarla in senso orario, fino a stringerla bene.

**⚠ AVVERTENZA: serrare solo manualmente. Una forza eccessiva potrebbe danneggiare il raccordo del regolatore e provocare fughe di gas o la mancata fuoriuscita di gas.**

**CONTROLLO DI EVENTUALI PERDITE DI GAS:****⚠ PERICOLO**

**Non utilizzare fiamme libere per controllare eventuali perdite di gas. Assicurarsi che, durante le procedure di verifica di eventuali perdite, non vi siano scintille o fiamme vive nella zona. La presenza di scintille o fiamme può causare incendi o esplosioni con conseguenti lesioni personali gravi o mortali o danni alle cose.**

Cosa serve: una cartuccia usa e getta di GPL, una soluzione di acqua e sapone e uno straccio per applicarla.

- A) Mescolare l'acqua e il sapone.
- B) Girare il comando del gas su ON ruotandolo in senso antiorario.
- C) Verificare che non vi siano perdite bagnando il raccordo con la soluzione di acqua e sapone e controllando che non si formino bolle. Se si formano delle bolle, o se si forma una bolla che aumenta di dimensioni, c'è una perdita.

**CONTROLLARE:**

- A) L'allacciamento tra il regolatore e la cartuccia usa e getta di GPL.

**⚠ AVVERTENZA: se c'è una perdita in corrispondenza dell'allacciamento (1), rimuovere la cartuccia usa e getta di GPL. Non utilizzare il barbecue. Utilizzare un'altra cartuccia usa e getta di GPL e controllare nuovamente che non vi siano perdite con la soluzione di acqua e sapone. Se dopo aver serrato nuovamente la cartuccia di GPL la perdita persiste, chiudere il gas. NON UTILIZZARE IL BARBECUE. Contattare il responsabile di zona del Servizio Assistenza Clienti, consultando l'area contatti del nostro sito Web. Visitare [www.weber.com](http://www.weber.com)®.**

**CONTROLLARE:**

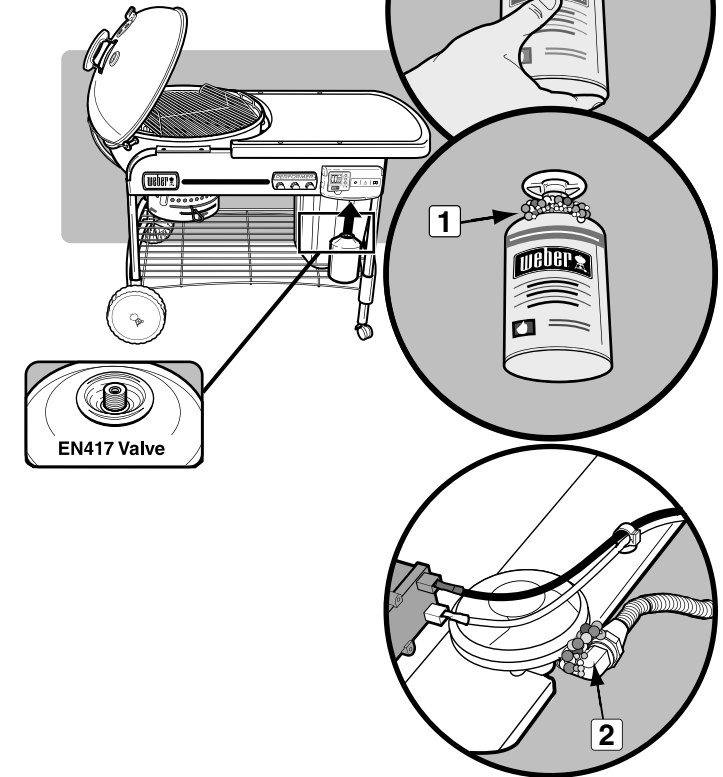
- B) Gli allacciamenti tra valvola e regolatore.

**⚠ AVVERTENZA: se c'è una perdita in corrispondenza dell'allacciamento (2), chiudere il gas. NON UTILIZZARE IL BARBECUE. Contattare il responsabile di zona del Servizio Assistenza Clienti, consultando l'area contatti del nostro sito Web. Visitare [www.weber.com](http://www.weber.com)®.**

Una volta completato il test di verifica delle perdite, chiudere il gas alla fonte e risciacquare i collegamenti con acqua.

**⚠ PERICOLO**

**Non riporre cartucce di GPL sotto o vicino al dispositivo.**



## ACCENSIONE

**⚠ PERICOLO**

Prima di procedere all'accensione aprire il coperchio. Non utilizzare alcun liquido infiammabile come liquidi accenditori, benzina, alcol o altra forma di carbone autocombustibile, neppure in caso di accensione manuale. La mancata osservanza di tale indicazione può provocare lesioni personali gravi o mortali.

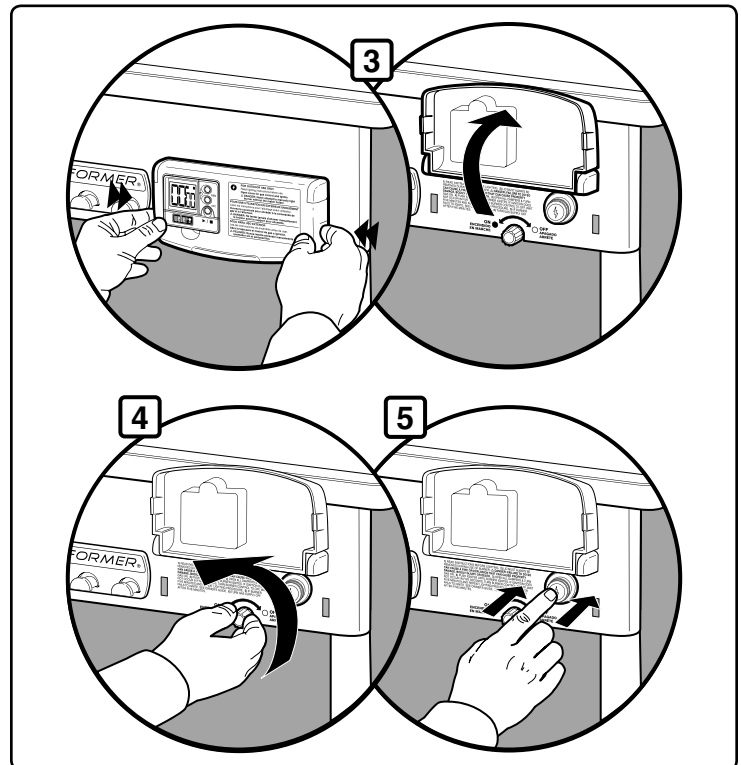
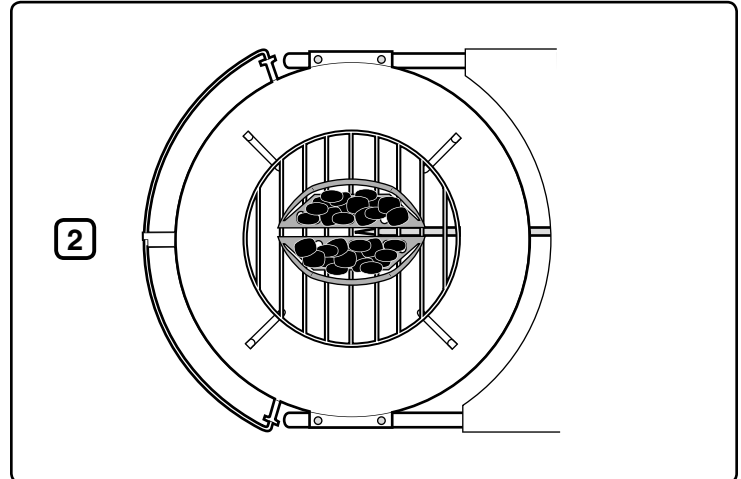
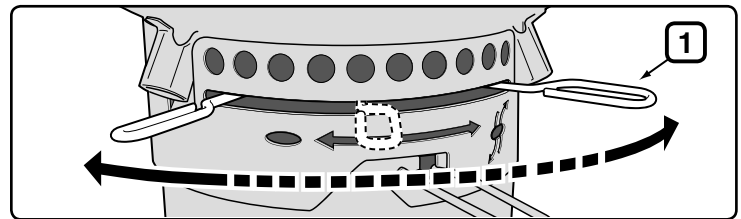
- A) Rimuovere il coperchio del barbecue prima di utilizzare il sistema di accensione.
- ⚠ PERICOLO: la mancata osservanza di tale indicazione può causare un accumulo di gas e provocare incendi o esplosioni, con conseguenti lesioni personali gravi o mortali e danni alle cose.**
- B) Aprire le valvole di tiraggio sul fondo del braciere (1).
- C) Posizionare i Char-Baskets™ sul bruciatore (2).
- D) Premere sulle linguette del coperchio del comando del gas (3) e aprirlo sollevandolo.
- E) Ruotare la manopola di alimentazione del gas (in senso antiorario) su ON di almeno un giro completo (4).
- ⚠ AVVERTENZA: non chinarsi sul barbecue aperto in fase di accensione.**
- F) Tenere premuto il pulsante di accensione fino a quando non si accende il bruciatore (5).
- ⚠ ATTENZIONE: in una giornata particolarmente soleggiata potrebbe essere difficile vedere la fiamma.**
- G) Una volta acceso il carbone (dopo circa 5 minuti), ruotare la manopola di controllo del gas in posizione di chiusura (in senso orario), fino a interrompere l'erogazione.
- ⚠ ATTENZIONE: assicurarsi che il coperchio sia completamente chiuso.**

*Nota - L'utilizzo prolungato della bombola ne riduce la durata.*

- H) È possibile iniziare la cottura quando sulle bricchette si sarà formato uno strato sottile di cenere grigia (circa 25-30 minuti).

**PER SPEGNERE**

Portare la manopola di controllo del gas fino alla posizione di chiusura (ruotando in senso orario) fino a interrompere l'erogazione.



## ACCENSIONE MANUALE

⚠ **AVVERTENZA:** non tentare di eseguire l'accensione manuale senza utilizzare il portafiammiferi.

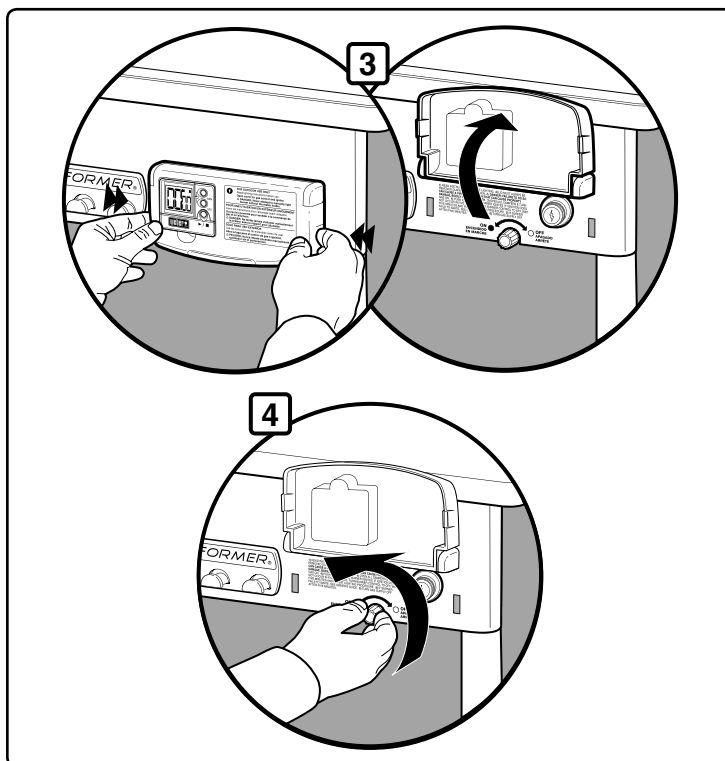
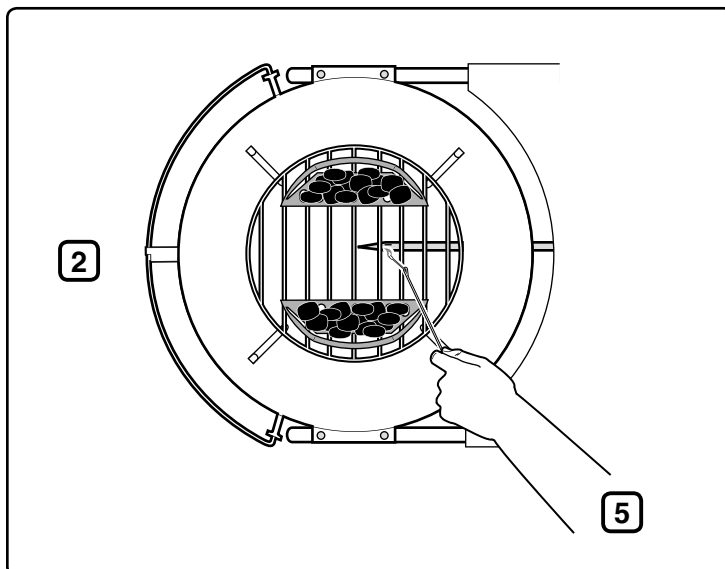
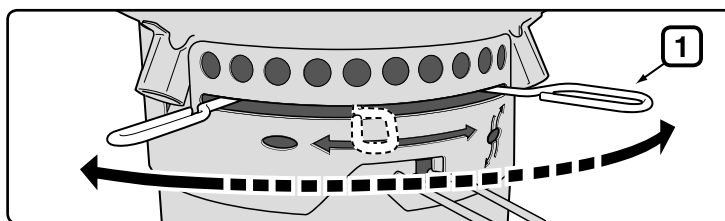
⚠ **PERICOLO**

Prima di procedere all'accensione aprire il coperchio. Non utilizzare alcun liquido infiammabile come liquidi accenditori, benzina, alcol o altra forma di carbone autocombustibile, neppure in caso di accensione manuale. La mancata osservanza di tale indicazione può provocare lesioni personali gravi o mortali.

- A) Rimuovere il coperchio del barbecue prima di utilizzare il sistema di accensione.
- ⚠ **PERICOLO:** la mancata osservanza di tale indicazione può causare un accumulo di gas e provocare incendi o esplosioni, con conseguenti lesioni personali gravi o mortali e danni alle cose.
- B) Aprire le valvole di tiraggio sul fondo del bruciatore (1).
- C) Allontanare i Char-Baskets™ dal bruciatore (2).
- D) Premere sulle linguette del coperchio del comando del gas (3) e aprirlo sollevandolo.
- E) Mettere un fiammifero nel portafiammiferi (4). Accendere il fiammifero.
- F) Ruotare la manopola di regolazione del gas in posizione ON (in senso antiorario) di almeno un giro completo (5).
- G) Posizionare la fiamma del fiammifero sul retro del foro del bruciatore (6).
- ⚠ **AVVERTENZA:** durante l'accensione manuale non posizionare le mani direttamente sul bruciatore.
- ⚠ **AVVERTENZA:** non chinarsi sul barbecue aperto in fase di accensione.
- ⚠ **ATTENZIONE:** in una giornata particolarmente soleggiata potrebbe essere difficile vedere la fiamma.
- H) Per posizionare nuovamente i Char-Baskets™ sul bruciatore utilizzare presine per barbecue e delle pinze.
- I) Una volta acceso il carbone, (dopo circa 5 minuti), ruotare il comando del gas in posizione OFF (in senso orario) fino a chiuderlo.
- J) È possibile iniziare la cottura quando sulle bricchette si sarà formato uno strato sottile di cenere grigia (circa 25-30 minuti).

## PER SPEGNERE

Portare la manopola di controllo del gas fino alla posizione di CHIUSURA (ruotando in senso orario) fino a interrompere l'erogazione.



## FUNZIONAMENTO CON TIMER

Questo timer da cucina digitale, a tenuta d'acqua, offre funzioni di conteggio in avanti e alla rovescia, in minuti e secondi.

### Per impostare il tempo del conteggio alla rovescia:

- Premere il pulsante **MIN** (1) per impostare le cifre dei minuti. Tenere premuto il pulsante per far avanzare rapidamente le cifre (impostazione massima: 99 minuti (4)).
- Premere il pulsante **SEC** (2) per impostare le cifre dei secondi. Tenere premuto il pulsante per far avanzare rapidamente le cifre (impostazione massima: 59 secondi (5)).
- Premere il pulsante **Start/Stop**: ► / ■ (3).
- Una volta raggiunto il tempo impostato, viene riprodotto il suono di avviso per 30 secondi e si riavvia automaticamente il conteggio alla rovescia dall'impostazione precedente.

### Per impostare il tempo di conteggio in avanti:

- Premere il pulsante **Start/Stop**: ► / ■ . Durante il conteggio in avanti, il display mostra il tempo nel formato minuti/secondi.
- Premere nuovamente il pulsante per arrestare il timer. (Impostazione massima: 99 minuti (4), 59 secondi (5)).

### Per cancellare il periodo di tempo impostato:

- Premere i pulsanti **MIN** e **SEC**: ↻ simultaneamente (1)(2).

*Nota: in caso di utilizzo in un ambiente in cui il timer potrebbe essere soggetto a una scarica elettrostatica, il tempo impostato nell'unità potrebbe saltare. In questo caso, resettare l'unità e impostare nuovamente i valori desiderati.*

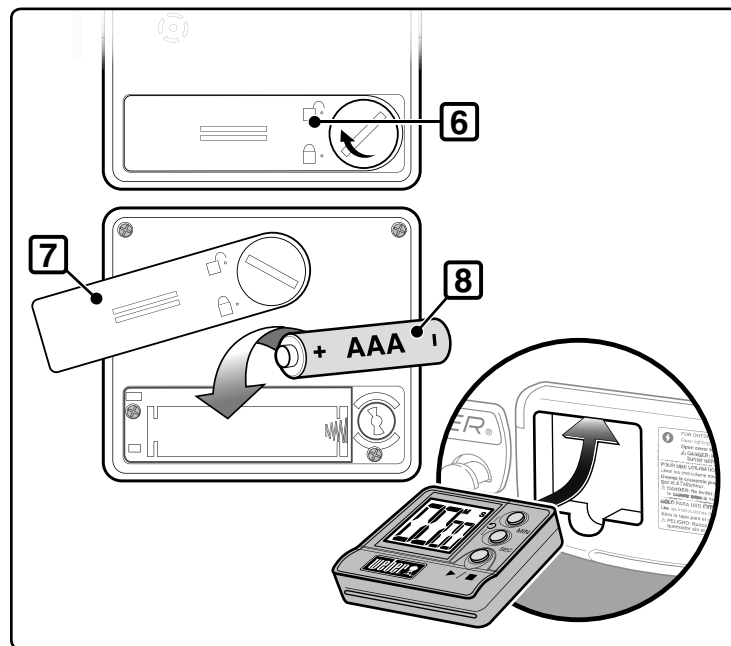
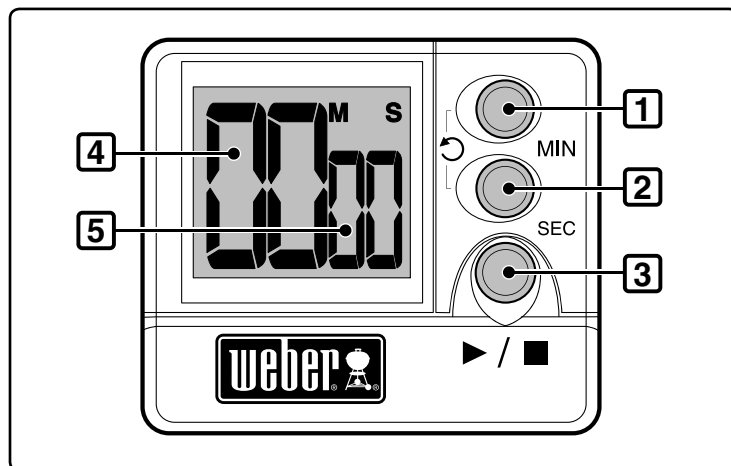
### Montaggio della batteria:

- Sbloccare il coperchio della batteria sul retro del timer (6) ruotando il blocco in senso orario.
- Rimuovere il coperchio della batteria dal retro del timer (7).
- Sostituire la batteria AAA (8).
- Sostituire il coperchio della batteria.
- Bloccare il coperchio della batteria ruotando il blocco in senso antiorario.
- Una volta installata la batteria, sullo schermo LCD viene visualizzato (0000).

### Manutenzione:

- Non pulire l'unità con sostanze abrasive o corrosive, che potrebbero graffiarne i componenti e corrodere i circuiti elettronici.
- Non applicare una forza eccessiva sull'unità, evitare urti, tenere lontano da ambienti polverosi o con temperatura o umidità eccessive, che potrebbero comportare malfunzionamenti, ridurre la durata dell'elettronica, danneggiare la batteria o deformare i componenti.
- Non manomettere i componenti interni dell'unità. Ciò annullerebbe la garanzia fornita sull'unità e potrebbe causare inutili danni alla batteria e ai componenti interni.
- Non esporre l'unità alla luce solare diretta o alla pioggia battente.
- Non immergere l'unità in acqua.

**Per garantire che il timer da cucina digitale funzioni sempre al meglio, si consiglia di conservarlo in ambienti chiusi quando non viene utilizzato.**



PROBLEMA	CONTROLLO	SOLUZIONE
La fiamma del bruciatore è gialla o arancione e si avverte odore di gas.	Ispezionare il bruciatore e verificare che non vi siano ostruzioni.	Pulire il bruciatore. (Vedere la sezione "Manutenzione")
Il bruciatore non si accende o la fiamma è bassa.	Il livello di GPL è basso o la bombola è vuota?	Sostituire la bombola di GPL.
	Il tubo flessibile del gas è piegato o attorcigliato?	Raddrizzarlo.
	Il bruciatore si accende con un fiammifero?	Se si riesce ad accendere il bruciatore con un fiammifero, controllare il sistema di accensione.
	Il tubo è collegato correttamente al bruciatore?	Collegare il tubo del gas al bruciatore utilizzando il fermo metallico fornito. <b>⚠ PERICOLO: non utilizzare il sistema di accensione se manca il fermo. La mancanza del fermo può provocare lesioni personali gravi o mortali e danni alle cose.</b> Per un fermo di ricambio contattare il Servizio Assistenza Clienti.
La fiamma che esce dal bruciatore ha un aspetto irregolare.	Il bruciatore è pulito?	Pulire il bruciatore. (Vedere la sezione "Manutenzione")
Il bruciatore non si accende quando si preme il pulsante di accensione.	Verificare che il gas arrivi ai bruciatori provando ad accenderli con i fiammiferi. Consultare il capitolo "ACCENSIONE MANUALE."	Se i bruciatori si accendono col fiammifero, si tratta di un problema al sistema di accensione. Consultare il capitolo "FUNZIONAMENTO DEL SISTEMA DI ACCENSIONE ELETTRONICA."
	Le batterie sono cariche?	Assicurarsi che la batteria sia in buono stato e correttamente installata. Consultare il capitolo "ISPEZIONE DELL'ACCENDITORE ELETTRONICO."
	I fili sono collegati in modo corretto al sistema di accensione?	Verificare che i cavi siano ben inseriti nei morsetti della scatola. Consultare il capitolo "FUNZIONAMENTO DEL SISTEMA DI ACCENSIONE ELETTRONICA."
	La nuova batteria è rivestita in plastica?	Togliere l'involucro in plastica.
Il timer non funziona.	Le batterie sono cariche?	Assicurarsi che la batteria sia in buono stato e correttamente installata. Consultare il capitolo: "FUNZIONAMENTO CON TIMER."
L'interno del coperchio sembra ricoperto di "scaglie". (Come di vernice scrostata).	Quello si vede è grasso "cotto", diventato carbone, che si sta sfaldando. <b>NON È UN DIFETTO.</b>	Pulire accuratamente. (Vedere la sezione "Pulizia")

Se, dopo aver messo in atto questi accorgimenti, i problemi persistono, contattare il responsabile di zona del Servizio Assistenza Clienti, consultando l'area contatti del nostro sito Web. Visitare il sito [www.weber.com](http://www.weber.com)®.

## MANUTENZIONE

Dopo un periodo di non utilizzo, per la vostra sicurezza, vi consigliamo di seguire le seguenti procedure di manutenzione.

- Prima di ogni utilizzo del barbecue controllare che il tubo flessibile non presenti tacche, crepe, abrasioni o tagli. Se il tubo flessibile risulta inutilizzabile, non utilizzare il barbecue. Sostituirlo solo con componenti Weber® autorizzati. **Contattare il responsabile di zona del Servizio Assistenza Clienti, consultando l'area contatti del nostro sito Web. Visitare [www.weber.com](http://www.weber.com).**
- ⚠ **ATTENZIONE: se il tubo del gas del barbecue risulta in qualche modo danneggiato o presenti delle perdite, non utilizzare il barbecue.**
- Ispezionare il bruciatore e assicurarsi che produca la fiamma caratteristica (vedere la sezione "Fiamma caratteristica del bruciatore"). Se necessario, procedere alla pulizia seguendo le procedure indicate nella presente sezione.
- Controllare che tutti i raccordi del gas e verificare che non vi siano perdite (vedere la sezione "Controllo di eventuali perdite di gas").

## PULIZIA PERIODICA

Per rimuovere le ceneri dal braciere, muovere lateralmente l'asta di regolazione (1) in modo che le pale delle valvole di tiraggio convogliino le ceneri attraverso le prese d'aria del braciere e quindi nel raccoglioceneri.

- ⚠ **ATTENZIONE: assicurarsi che il bruciatore sia spento e che il barbecue sia freddo prima di procedere alla pulizia.**

Non allargare i fori del bruciatore durante la pulizia.

### Per pulire il bruciatore:

- Spazzolare la parte esterna dell'area del bruciatore (2) e del foro del bruciatore (3) con una spazzola metallica.

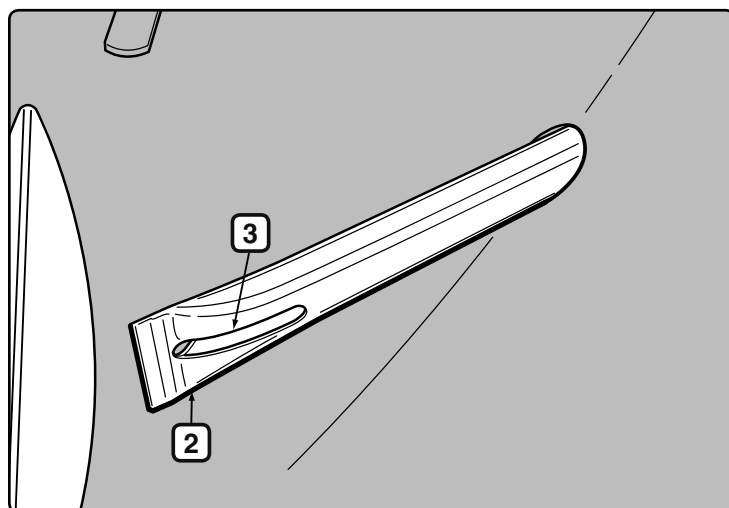
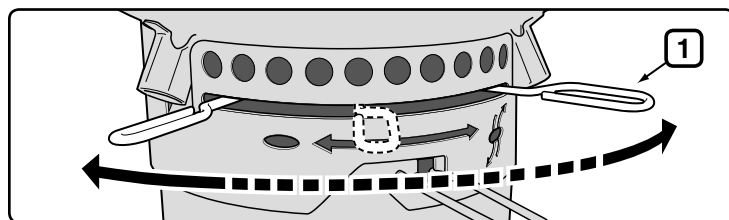
- ⚠ **ATTENZIONE: non allargare i fori del bruciatore o il foro del gas durante la pulizia.**

### Per pulire il "kettle":

- Quando il coperchio è caldo, passare l'interno con della carta da cucina per evitare accumuli di grasso.
- Per le superfici esterne utilizzare una soluzione di sapone e acqua calda, quindi risciacquare con acqua pulita.

### Per una pulizia più completa (da effettuarsi almeno una volta all'anno):

- Rimuovere le ceneri dopo che le braci si sono spente completamente.
- Rimuovere le griglie e i cesti Char-Baskets™.
- Strofinare con della carta da cucina. Pulire con acqua e detergente non aggressivo. Risciacquare accuratamente con acqua pulita e asciugare completamente.



## IMMAGAZZINAMENTO

- Nel caso in cui il barbecue Performer venga riposto in un ambiente chiuso, scollegare l'alimentazione del gas e posizionare la bombola di GPL all'aperto in un luogo ben ventilato.
- Le bombole di GPL devono essere riposte all'aperto in un'area ben ventilata e fuori dalla portata dei bambini. Non devono essere riposte all'interno di edifici, garage o altri ambienti chiusi.
- Dopo un periodo di immagazzinamento e/o non utilizzo, verificare che non vi siano perdite di gas e che il bruciatore non sia ostruito prima di utilizzare il barbecue (vedere la sezione "Manutenzione").
- Prima dell'uso verificare che nella zona intorno alla bombola, al tubo e al gruppo bruciatore non vi siano residui che possano ostruire il flusso di gas o aria.



**ALLARME INSETTI**

Il barbecue Performer, come qualsiasi altro dispositivo a gas per esterni, è un facile bersaglio per ragni e insetti. Possono annidarsi nella sezione venturi (1) del bruciatore facendo rifluire il gas dalla serranda dell'aria.

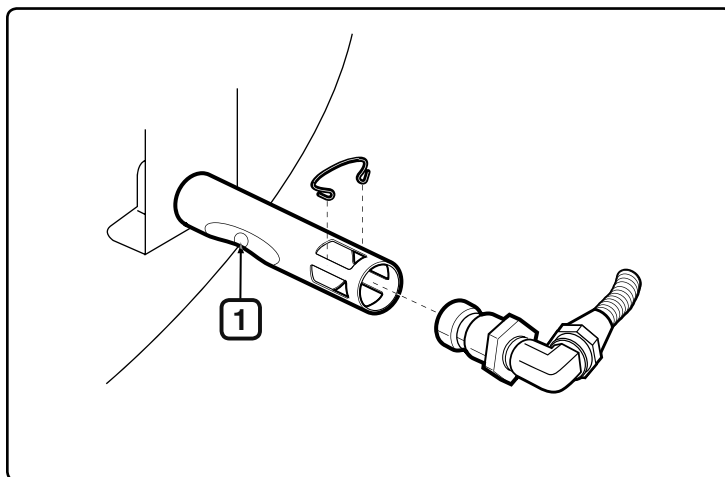
Ciò può provocare un incendio all'interno e intorno al bruciatore sotto il pannello del braciere. Può danneggiare seriamente il barbecue e comprometterne il funzionamento.

Si consiglia vivamente di ispezionare e di pulire il bruciatore almeno una volta all'anno oppure in presenza dei seguenti segnali:

- A) Si avverte contemporaneamente odore di gas e le fiamme del bruciatore sono "lente" e di colore giallo.
- B) Il bruciatore emette rumori "scoppiettanti".

**⚠ PERICOLO**

**Il mancato intervento, alla comparsa di questi segnali, potrebbe provocare incendi o esplosioni e causare lesioni personali gravi o mortali, o danni alle cose.**

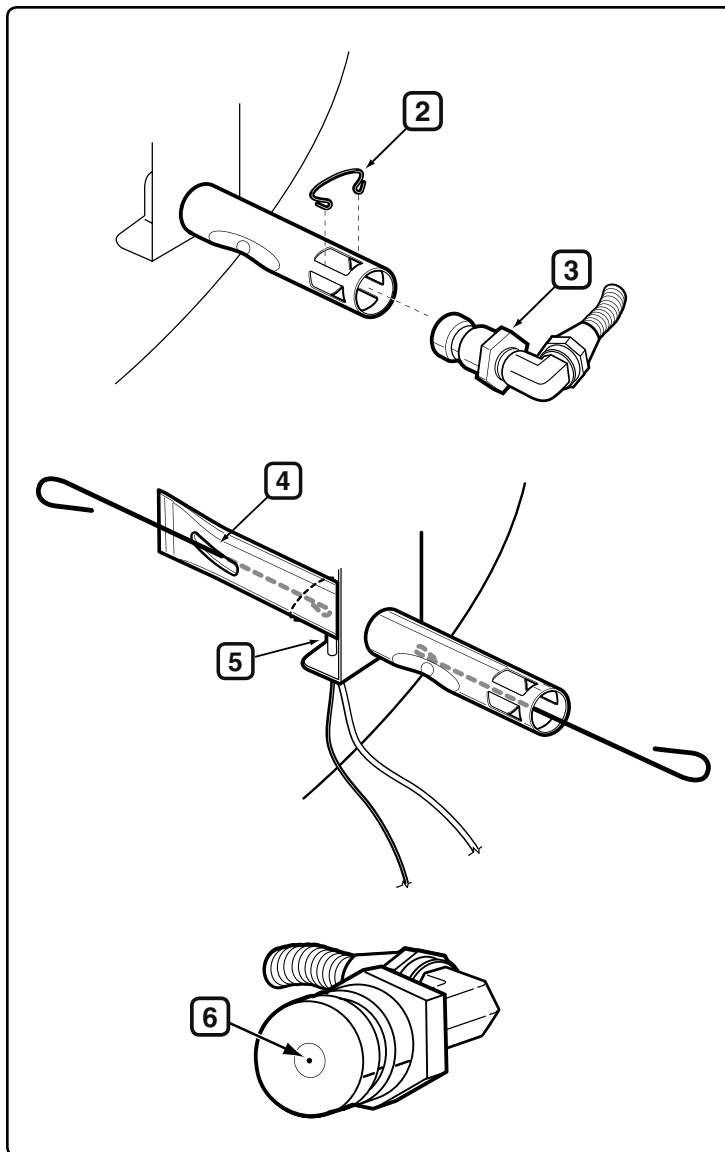


**ISPEZIONE E PULIZIA DEL BRUCIATORE**

- A) Scollegare il gas.
- B) Estrarre il contenitore antintemperie CharBin™.
- C) Rimuovere il fermo per foro (2) e il tubo (3) dal bruciatore.
- D) Controllare l'interno del bruciatore servendosi di una torcia elettrica.
- E) Pulire l'interno dei bruciatori con il portafiammiferi in metallo (fornito). Utilizzare la parte metallica per pulire l'area della serranda, la sezione venturi e i fori del bruciatore (4) all'interno del braciere. Quando si inserisce lo strumento di pulizia del bruciatore fare attenzione a non danneggiare l'elettrodo dell'accenditore (5).
- F) Controllare nuovamente con la torcia elettrica che non vi siano ostruzioni.
- G) Se necessario, pulire la superficie del tubo con una spazzola metallica. Il foro (6) può essere pulito con un piccolo spillo.

**⚠ ATTENZIONE: non allargare il foro durante la pulizia.**

- H) Riasssemblare invertendo i punti B e C.

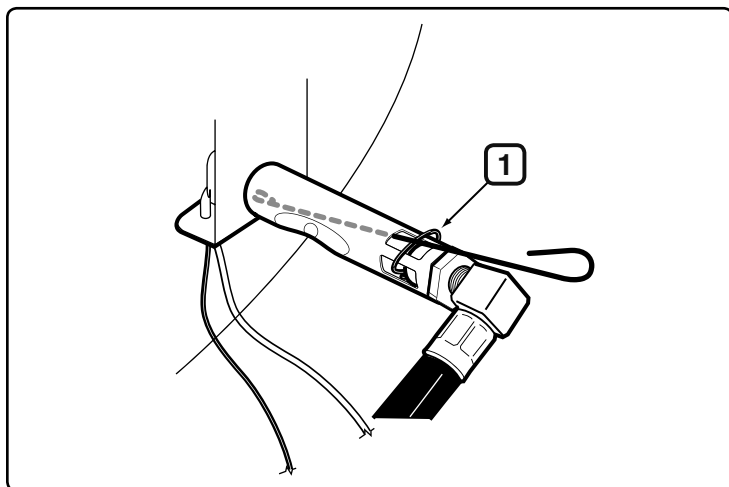


### PULIZIA VELOCE PERIODICA

Si consiglia di spazzolare periodicamente la parte esterna dei fori del bruciatore con una spazzola metallica e pulire il bruciatore attraverso la presa dell'aria di combustione con il portafiammiferi fornito.

L'operazione può essere effettuata posizionando la presa dell'aria di combustione (1) del bruciatore sotto il supporto del braciere e inserendo lo strumento attraverso ciascuna presa dell'aria di combustione, ruotandolo. Quando si inserisce il portafiammiferi fare attenzione a non danneggiare l'elettrodo dell'accenditore.

**⚠ ATTENZIONE: aumentare la frequenza degli interventi di pulizia durante i mesi primaverili ed estivi.**

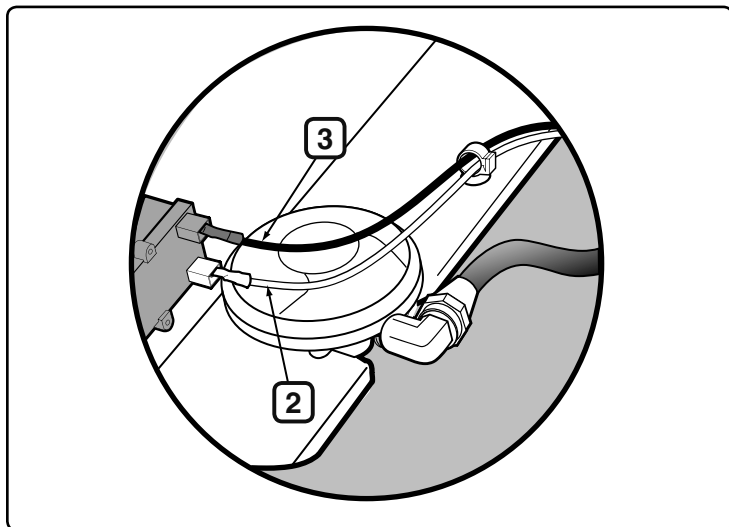


### ISPEZIONE DEL SISTEMA DI ACCENSIONE ELETTRONICA

Se il sistema di accensione elettronica non funziona, verificare che il gas arrivi provando ad accendere i bruciatori con un fiammifero. Consultare il capitolo "ACCENSIONE MANUALE". Se il fiammifero riesce ad accendere, si tratta di un problema all'accensione elettronica.

**⚠ AVVERTENZA: le manopole di controllo e le valvole di immissione devono trovarsi in posizione di chiusura.**

- Verificare che la batteria AAA (esclusivamente alcalina) sia in buone condizioni e che sia correttamente installata (1). Alcune batterie sono avvolte in una pellicola protettiva in plastica. La plastica deve essere tolta. Non confondere questa plastica con l'etichetta della batteria.
- Assicurarsi che il cavo di accensione bianco (2) e quello nero (3) siano collegati correttamente.
- Verificare che il pulsante di accensione elettronica funzioni ascoltando e controllando che si producano scintille nel bruciatore.
- Verificare che l'accenditore non sia allentato. Stringere se necessario; per la procedura corretta, vedere il capitolo "Installazione".



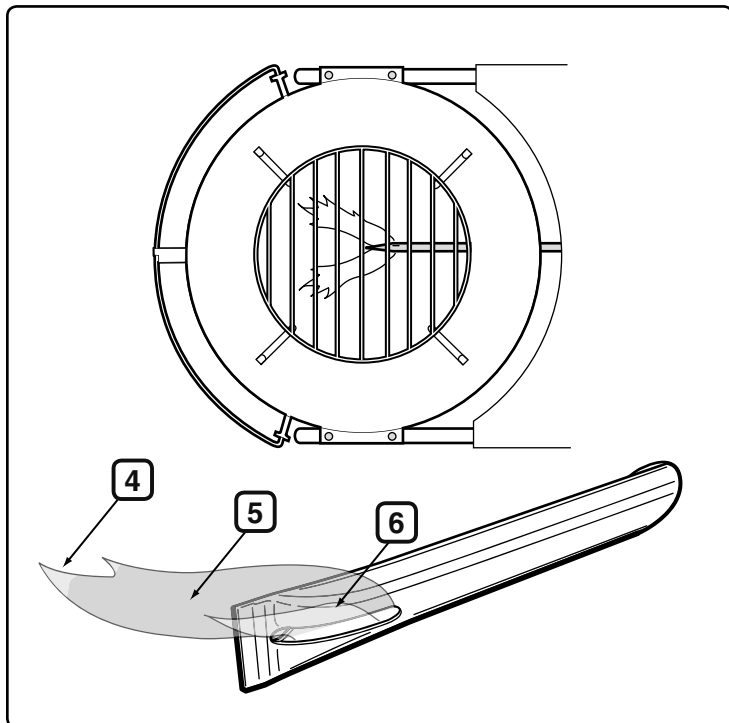
### Sostituire Le Batterie Se Necessario

Utilizzare esclusivamente batterie alcaline AAA.

Se il sistema di accensione elettronica non funziona ancora, contattare il responsabile di zona del Servizio Assistenza Clienti, consultando l'area contatti del nostro sito web. Visitare il sito [www.weber.com](http://www.weber.com).

### FIAMMA CARATTERISTICA DEL BRUCIATORE

Il bruciatore è stato regolato dal costruttore per produrre la corretta miscela di aria e gas. La fiamma corretta deve avere le estremità giallastre (4), essere blu scura nella parte centrale (5) e azzurra in corrispondenza del bruciatore (6). Se le fiamme non appaiono come indicato o se si odono rumori "scoppiettanti", seguire la procedura di pulizia del bruciatore.





23 horizontal lines for writing.

**⚠ ATTENZIONE:** questo prodotto è stato sottoposto a controlli di sicurezza ed è certificato solo per l'utilizzo nel paese specificato. Consultare l'indicazione del paese sull'esterno della confezione.

Le parti indicate possono contenere gas e sono utilizzate per il trasporto e la combustione di gas. Contattare il Servizio Assistenza Clienti Weber-Stephen Products LLC per informazioni sulle parti di ricambio originali Weber-Stephen Products LLC.

**⚠ AVVERTENZA:** non tentare di eseguire riparazioni di qualsiasi genere sui componenti atti al trasporto e alla combustione di gas, senza aver preventivamente consultato il Servizio Assistenza Clienti Weber-Stephen Products LLC, il vostro intervento, in caso di mancata osservanza della presente avvertenza, potrebbe causare incendi o esplosioni con conseguenti lesioni personali gravi o mortali o danni alle cose.



Questo simbolo indica che il prodotto non può essere smaltito con i normali rifiuti domestici. Per informazioni sul corretto smaltimento di questo prodotto nei paesi europei, visitare il sito [www.weber.com](http://www.weber.com)<sup>®</sup> e rivolgersi all'importatore indicato per il vostro paese. Se non si dispone di accesso a Internet, rivolgersi al rivenditore di zona per conoscere il nome, l'indirizzo e il numero di telefono dell'importatore.

Se si decide di smaltire o gettare il proprio barbecue, tutte le parti elettriche (come il motore del girarrosto, le batterie, il sistema di accensione, le lampade per le maniglie) devono essere smontate e smaltite in conformità con le disposizioni RAEE (Normativa sui Rifiuti di Apparecchiature Elettriche ed Elettroniche). Queste parti devono essere smaltite separatamente dal resto del barbecue.



WEBER-STEPHEN PRODUCTS LLC  
[www.weber.com](http://www.weber.com)<sup>®</sup>



# PERFORMER® DELUXE

Brukerhåndbok for brikettgrill

Montering - p. 5

#54785



**DU MÅ LESE DENNE  
BRUKERHÅNDBOKEN FØR DU  
BEGYNNER Å BRUKE GASSGRILLEN**

**△ FARE**

Hvis det lukter gass:

1. Steng av gasstilførselen til apparatet.
2. Slukk eventuelle åpne flammer.
3. Åpne lokket.
4. Hvis lukten fremdeles er tilstede, hold deg unna apparatet og ring øyeblikkelig gassleverandøren eller brannvesenet.

Gass som lekker kan resultere i brann eller eksplosjon som kan forårsake alvorlig personskade eller død, eller skade eiendom.

**△ ADVARSEL:**

1. Ikke lagre eller bruk bensin eller andre brennbare gasser og væsker i nærheten av dette eller andre apparater.
2. En gassbeholder som ikke er tilkoblet for bruk skal ikke lagres i nærheten av dette eller andre apparater.

**△ ADVARSEL:** Følg nøye alle prosedyrer for lekkasjesjekk i denne håndboken før grillen brukes. Gjør dette selv om grillen ble montert av forhandler.

**△ ADVARSEL:** Ikke prøv å tenne Weber®-gassgrillen uten å ha lest instruksjonene om "Tenning" i denne håndboken.

**INFORMASJON TIL INSTALLATØREN:**  
Denne håndboken må følge med eieren, som bør oppbevare den for fremtidig bruk.

**MÅ BARE BRUKES UTENDØRS.**

HVIS DET IKKE TAS HENSYN TIL DISSE FARE- OG ADVARSELANVISNINGENE OG DET IKKE UTVISES FORSIKTIGHET KAN DET FØRE TIL ALVORLIG PERSONSKADE ELLER DØD, BRANN ELLER EKSPLOSJON SOM FØRER TIL SKADE PÅ EIENDOM.

- △ SIKKERHETSSYMBOLENE ( △ ) varsler deg om viktig SIKKERHETS-informasjon.
- △ Varslingsordene FARE, ADVARSEL, eller FORSIKTIG vil brukes sammen med SIKKERHETSSYMBOLT.
- △ FARE vil identifisere den alvorligste faren.
- △ Vennligst les all sikkerhetsinformasjon som finnes i denne brukerhåndboken, før du bruker denne grillen.

#### △ FARE

- △ Dersom du ikke etterkommer anvisningene under Fare, Advarsel og Forsiktig i denne brukerhåndboken, kan det medføre alvorlige personskader eller dødsfall, eller til brann eller eksplosjon som forårsaker materielle skader.
- △ Må ikke brukes innendørs! Denne grillen er bare konstruert til utendørs bruk. Det vil samle seg giftige gasser og forårsake alvorlig personskade eller død, hvis den brukes innendørs.
- △ Denne grillen skal bare brukes utendørs på et godt ventilert sted. Skal ikke brukes i en garasje, bygning, skjul eller annet innelukket område.
- △ Bruk aldri denne grillen under et brennbart overbygg eller overheng.
- △ Feilmontering kan være farlig. Følg monteringsanvisningene i denne håndboken. Bruk ikke denne grillen med mindre alle deler er på plass. Pass på at enten askeoppsamlere er godt festet til benene under bunnen av grillen, eller at askeoppsamlere med stor kapasitet er på plass, før du tenner grillen.
- △ Det må ikke tilsettes tennvæske eller briketter som er impregnert med tennvæske til varme briketter. Sett lokket på tennvæsken etter bruk, og plasser den i sikker avstand fra grillen.
- △ Du må aldri bruke bensin, tennvæske eller alkohol på brikettene. Det må ikke brukes noen form for selvantenne på brikettene.
- △ Du må være forsiktig når du bruker grillen. Den vil være varm under steking og bør ikke forlates uten tilsyn under bruk.
- △ La ikke spedbarn, barn eller kjæledyr oppholde seg nær en varm grill, uten tilsyn.
- △ Du må ikke forsøke å flytte på en varm grill.
- △ Grillen må ikke brukes innenfor 1,6 m fra brennbart materiale. Brennbart materiale omfatter, men er ikke begrenset til tre eller behandlet tregulv, terrasser eller hagestuer.
- △ Brennbare materialer skal ikke befinne seg nærmere enn 60 cm fra toppen, bunnen, baksiden eller sidene på grillen.
- △ Hold grillområdet fritt for antenkelige gasser og væsker, slik som bensin, alkohol, etc., og andre brennbare materialer.
- △ Det må ikke fjernes aske før alle brikettene er helt utbrent og helt slukket og grillen er kald.
- △ Legg alltid briketter i Char-Baskets™ eller på toppen av den nedre (brikett) risten. Legg ikke briketter direkte i bunnen av grillen.
- △ Bruk ikke klær med vide ermer når grillen tennes eller brukes.
- △ Len deg ikke over grillen mens du tenner gassbrenneren.
- △ Grillen må ikke brukes i sterk vind.
- △ Bruk ikke grillen hvis det er gasslekkasje.
- △ Bruk ikke en flamme til å finne eventuell gasslekkasje.
- △ Hvis brenneren slukker ved bruk, må du slå av beholderventilen. Ta av lokket og vent fem minutter før du forsøker å tenne opp igjen, ved å bruke opptenningsinstruksjonene som er gjengitt i denne håndboken.
- △ Forsøk ikke å koble gassregulatoren fra tanken eller noen gasstilkobling mens grillen er i bruk.
- △ Bruk bare LP-gassregulatoren som er levert sammen med grillen.

#### △ ADVARSEL

- △ Følg anvisningene for forskriftsmessig tilkobling for den aktuelle gassgrillen.
- △ Oppbevar verken reservegassbeholdere eller frakoblede gassbeholdere under eller nær grillen.
- △ Grillen må alltid stå på et fast, jevnt underlag, fritt for brennbare materialer.
- △ Legg ikke trekket til grillen eller annet brennbart materiale på eller i oppbevaringsområdet under grillen.
- △ Ta alltid av lokket før du tenner gassbrenneren, enten manuelt eller med tenneren. Lokket må være AV inntil brikettene er helt tent.
- △ Du må ikke berøre grillristen eller brikettristen, asken, brikettene eller grillen for å kontrollere om det er varmt.
- △ Bruk ikke lava eller steiner i denne grillen.
- △ Bruk ikke vann for å kontrollere stikkflammer eller for å slukke brikettene, fordi det kan skade porselensemaleren. Steng lufteventilene litt i bunnen (spjeldene) og sett på lokket.
- △ Slukk brikettene når steking er ferdig. Steng alle ventiler (spjeld) etter at lokket er satt på.
- △ Du må alltid bruke grillvotter under steking, justering av ventiler (spjeld), når det tilsettes briketter og håndtering av termometeret eller lokket.
- △ Bruk riktig grillverktøy med langt og varmebestandig håndtak.
- △ Enkelte modeller kan ha inkludert Tuck-Away™ lokkholder. Tuck-Away™ lokkholderen brukes til å oppbevare lokket, mens du kontrollerer eller vender kjøttet. Bruk ikke Tuck-Away™ lokkholderen som håndtak til å løfte eller flytte grillen. Man må ikke plassere varmt lokk på tepper eller gress. Lokket må ikke henges på grillhåndtaket.
- △ Kast ikke varme briketter slik at man kan trække på dem eller føre til brann. Kast ikke aske eller briketter før de er helt slukket. Grillen må ikke lagres før asken og brikettene er helt slukket.

- ⚠ Elektriske startere må håndteres og lagres forsiktig.
- ⚠ Elektriske ledninger må holdes unna de varme overflatene på grillen og unna trafikkert område.
- ⚠ Etter en lagringsperiode og/eller hvis grillen ikke har vært i bruk, skal du kontrollere om det er gasslekkasje og om brennerne er blokkert før du bruker den. Se riktig fremgangsmåte i denne håndboken.
- ⚠ Ombygging eller forsøk på bruk av naturgass i denne grillen er farlig og vil annullere garantien.
- ⚠ En bulket eller rusten engangs-gassbeholder kan være farlig og bør kontrolleres av propanleverandøren. Bruk ikke en engangs-gassbeholder med ødelagt ventil.
- ⚠ Selv om engangs-gassbeholderen tilsynelatende er tom, kan den fremdeles inneholde gass. Engangs-gassbeholderen skal transporteres og lagres i samsvar med dette.
- ⚠ Hvis du ser, lukter eller hører at det lekker gass fra engangs-gassbeholderen:
  1. Gå unna engangs-gassbeholderen.
  2. Forsøk ikke å korrigere problemet selv.
  3. Ring brannvesenet.

⚠ ADVARSEL

- ⚠ Hvis du dekker bunnen i grillen med aluminiumsfolie vil det hindre luftstrømmen. Bruk i stedet en dryppanne for å fange opp drypping fra kjøttet når det stekes med den indirekte metoden.
- ⚠ Bruk av skarpe gjenstander til rengjøring av grillristen eller fjerning av aske vil skade finishen.
- ⚠ Bruk av skuremidler på grillristene eller i selve grillen vil skade finishen.
- ⚠ Grillen bør rengjøres nøye regelmessig.

GARANTI

Weber-Stephen Products LLC (Weber®) garanterer herved til den FØRSTE KJØPEREN av denne Weber® gassgrillen at den er fri for defekter i materiale og produksjonsarbeid fra kjøpsdato som følger:

Steke- / grillrister	2 år
Aluminiumsbelagte plater/belagte deler	
One-Touch™ rengjøringsystem	5 år
Rustfritt stål One-Touch™ rengjøringsystem	10 år
Beholder og lokk mot rusting / gjennombrenning	10 år
Nylonhåndtak	10 år
Termoplast/herdeplast deler (Performer®)	10 år
	unntatt bleking
Alle resterende deler	2 år

hvis montert og brukt i følge de trykte instruksjonene som følger med. Weber kan kreve rimelig bevis for kjøpsdato. TA DERFOR VARE PÅ KVITTERING ELLER FAKTURA.

Denne begrensede garantien begrenser seg til reparasjon og utskifting av deler som kan bevises defekte under normal bruk og service, og som ved undersøkelse viser seg, til Webers tilfredsstillelse, å være defekt. For noen deler returneres, kontakt Kundeservice hos din lokale forhandler ved hjelp av informasjonen på vår webside. Hvis Weber bekrefter defekten og godkjenner reklamasjonen, vil Weber skifte ut slike deler uten omkostninger. Hvis du må sende inn defekte deler, må transportkostnadene forhåndsbetales. Weber vil returnere delene til kjøper, med frakt og porto forhåndsbetalt.

Denne begrensede garantien dekker ikke mangler eller driftsvanskeligheter som skyldes ulykke, mishandling, misbruk, ombygging, feilaktig installasjon eller feilaktig vedlikehold eller service. Eller unnlatelse fra å foreta normal og rutinemessig vedlikehold, inklusive, men ikke begrenset til skade forårsaket av insekter inne i brennerørene, som beskrevet i denne brukerhåndboken.

Foringelse eller skade på grunn av vanskelige værforhold slik som hagl, orkaner, jordskjelv eller tornadoer, misfarging på grunn av eksponering for kjemikalier enten direkte eller i atmosfæren, er ikke dekket av denne begrensede garantien.

Det er ingen andre uttrykte garantier unntatt de som er anført her. Alle anvendelige og underforståtte garantier med hensyn til salg og produktets stand er begrenset til å gjelde i den samme perioden som den uttrykte skriftlige begrensede garantien. I noen regioner er det ikke lov å begrense hvor lenge en antydte garanti varer, så denne begrensningen gjelder kanskje ikke deg.

Weber er ikke ansvarlig for noen spesiell, indirekte skade eller følgeskade. I noen regioner er det ikke lov å ekskludere eller begrense tilfeldig skade eller følgeskader, så denne begrensningen eller eksklusjonen gjelder kanskje ikke deg.

Weber autoriserer ingen annen person eller firma til på dets vegne å påta seg forpliktelser eller ansvar i forbindelse med salg, montering, bruk, fjerning, retur eller erstatning av deres utstyr; og ingen slike representasjoner er bindende for Weber.

Denne garantien gjelder kun for produkter som selges direkte til forbruker.

Gå inn på [www.weber.com](http://www.weber.com)®, velg land, og registrer grillen din i dag.

RESERVEVLANGE, REGULATOR OG MANIFOLD

- ⚠ **VIKTIG MERKNAD:** Vi anbefaler at du skifter gasslangen på Weber-gassgrillen hvert 5. år. Noen land kan ha krav om at gasslangen skal skiftes oftere enn hvert 5 år, da vil landets lov ha forrang.

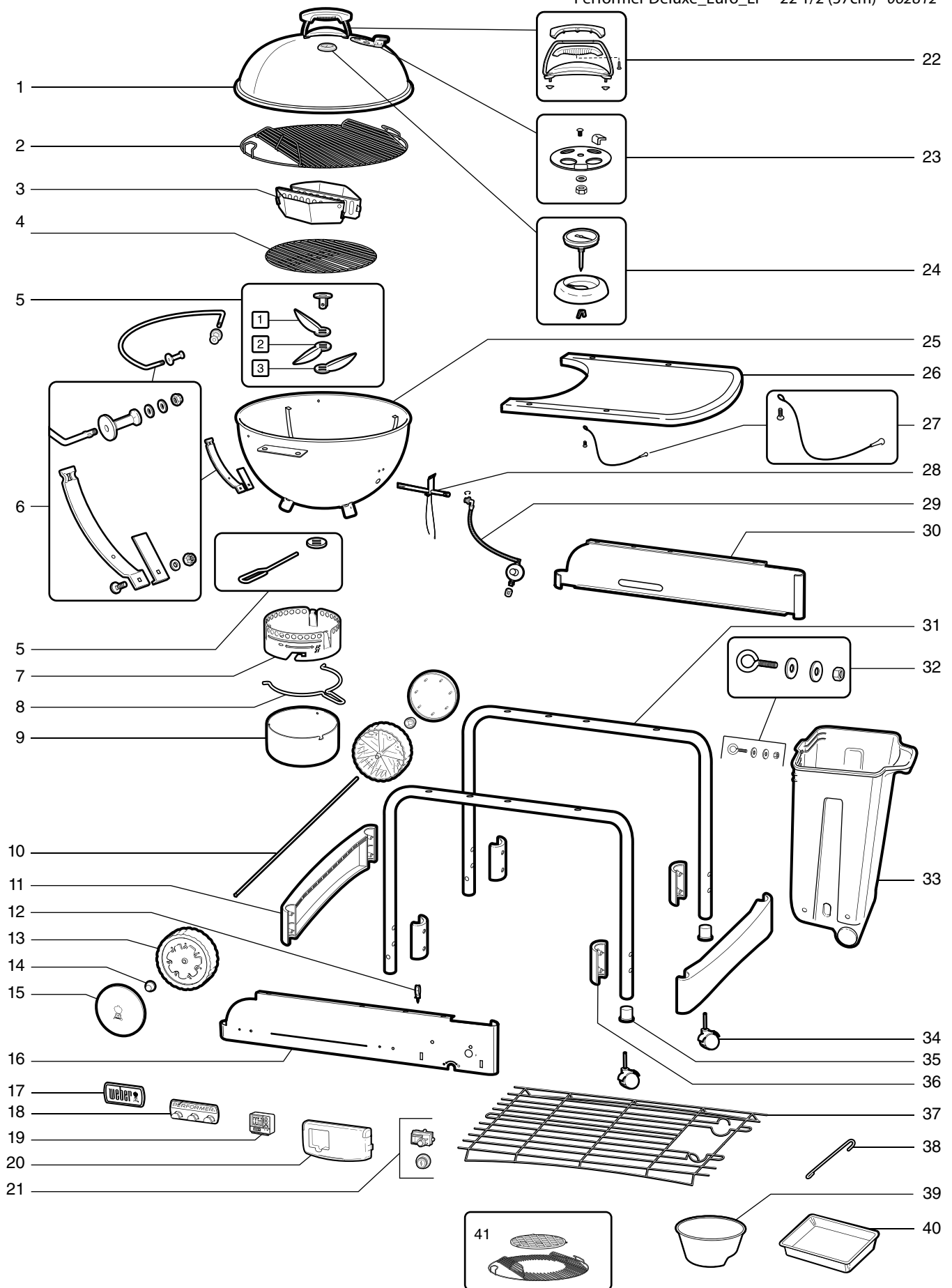
For utskifting av slange, regulator og manifold må du kontakte kundeservice-representanten i ditt område ved å bruke kontaktinformasjonen på vår webside. Logg deg inn på [www.weber.com](http://www.weber.com)®.

LAND

GASSTYPE OG TRYKK

Danmark, Sverige, Norge, Finland, England, Nederland, Storbritannia, Frankrike, Spania, Portugal, Belgia, Irland, Hellas, Luxembourg, Italia, Tyskland, Østerrike	$I_{3B/P} - 29 \text{ mbar}$	
FORBRUKERDATA		
Tenne brenner. Maks.		
Propan/ Butanblanding	kW (time)	g (timer)
	2,6	192

Performer Deluxe\_Euro\_LP - 22 1/2 (57cm) 062812





- |                                     |                                 |                                          |
|-------------------------------------|---------------------------------|------------------------------------------|
| 1. Lokk                             | 15. Hjuldeksel                  | 29. Slange og regulator med åpningsklips |
| 2. Hengslet grillrist               | 16. Frontpanel                  | 30. Bakpanel                             |
| 3. Brikettkurver                    | 17. Logoplate                   | 31. Ramme til ben                        |
| 4. Char-Baskets™                    | 18. Redskapsholdere             | 32. CharBin™ festedel                    |
| 5. One-Touch™-Rengjøringsystem      | 19. Digitalt Tidsur             | 33. CharBin™                             |
| 6. Lokkholder og nedre støtte       | 20. Deksel til gassregulator    | 34. Trinser                              |
| 7. Ring til askeoppsamler           | 21. Tenningsknapp/Tenningsmodul | 35. Trinseinnsatser                      |
| 8. Håndtak til askeoppsamler        | 22. Lokkhåndtak                 | 36. Rammebrakettklemme til ben           |
| 9. Askeoppsamler med stor kapasitet | 23. Lokkspjeld                  | 37. Bunnrist                             |
| 10. Aksel                           | 24. Termometer                  | 38. Fyrstikkholdera                      |
| 11. Rammebrakett til ben            | 25. Bunn                        | 39. Målebeger til Briketter              |
| 12. Tennerledning støtte            | 26. Bord                        | 40. Engangs dryppanne                    |
| 13. Hjul                            | 27. CharBin™ reguleringskjede   |                                          |
| 14. Navkapsel                       | 28. Brenner                     |                                          |

## KAN INNEHOLDE:

41. Bruningsrist med hengslet grillrist

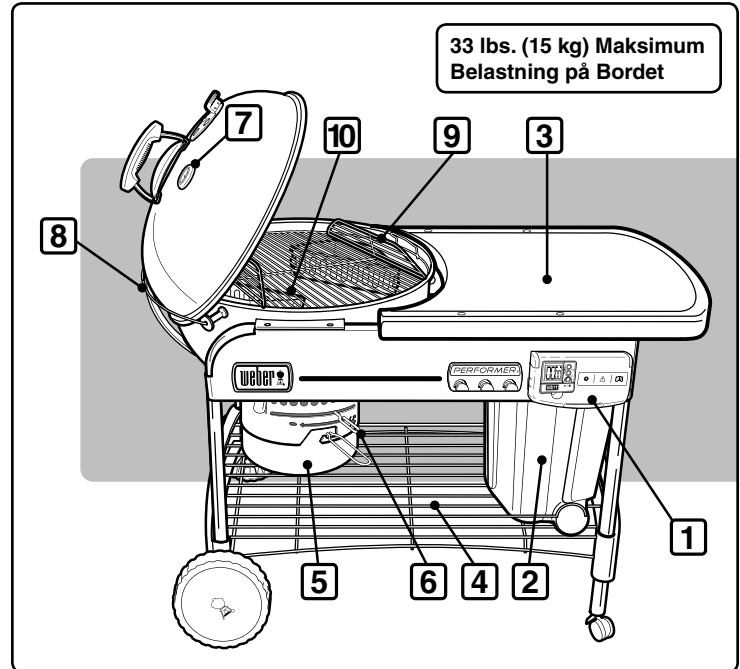
Hvis du har spørsmål eller trenger råd vedrørende grillen eller hvordan den skal brukes på en trygg måte, vennligst logg på [www.weber.com](http://www.weber.com).

- Disse anvisningene gir minstekravene for å montere Weber®-grillen. Les anvisningene grundig for du begynner å bruke Weber®-grillen. Feilaktig montering kan være farlig.
- Skal ikke betjenes av barn.
- Denne Weber®-grillen er designet bare for bruk med propan eller propan-/butangassblanding. Bruk ikke naturgass. Ventilen og regulatoren er bare til propan eller propan-/butangassblanding.
- Denne Weber®-gassgrillen er ikke beregnet til kommersiell bruk.

- Konsumering av alkohol og/eller medisiner på eller uten resept kan svekke brukerens evne til å montere eller bruke apparatet på en riktig og trygg måte.
- Denne Weber®-grillen er ikke beregnet til å være, eller skal aldri brukes, som et varmeapparat.
- Forlat ikke Weber®-grillen uten tilsyn. Hold alltid barn og kjæledyr borte fra Weber®-grillen.
- Sjekk at området under kontrollpanelet og bunnskuffen er fritt for rusk som kan hindre lufttilførsel for forbrenning eller ventilasjon.
- Eventuelle deler som er forseglet av produsenten, skal ikke endres av brukeren.
- Eventuelle endringer av apparatet kan være farlig.

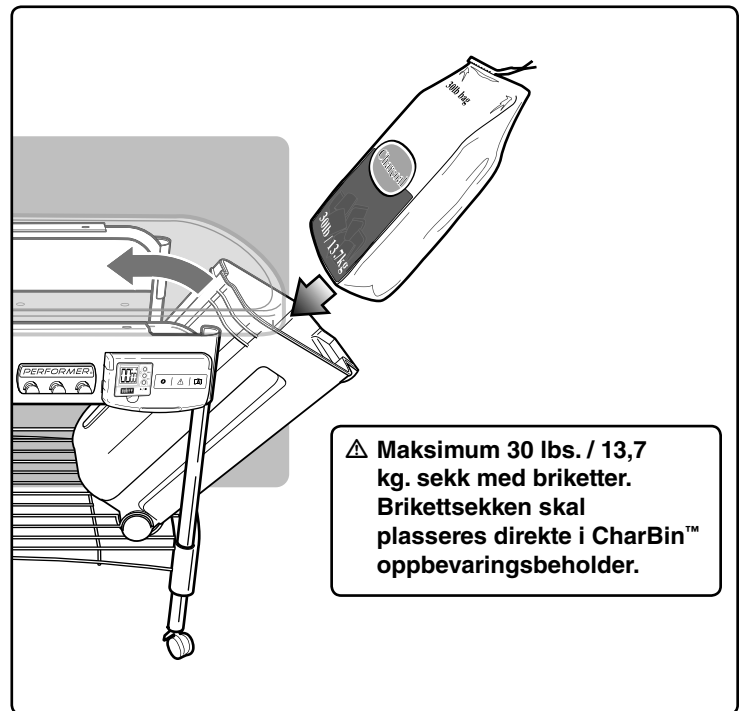
## EGENSKAPER

- Med det eksklusive Touch-N-Go™-gassteningssystemet slipper du å streve med opptenningen av brikettene (1). Bare trykk og hold inne en knapp og systemets gassbrenner vil antennes og starte opptenningen av brikettene for deg. Ingen farlige tennvæsker brukes eller lagres, og ingen ettersmak av tennvæske.
- CharBin™ oppbevaringsbeholder rommer en sekk med briketter med en maksimumsvekt på 13,7 kg (2). Brikettsekken skal plasseres direkte i CharBin™ oppbevaringsbeholderen.
- Arbeidsbord i herdeplast har en stor arbeidsflate og dekker CharBin™ oppbevaringsbeholderen for å holde brikettene tørre (3).
- Praktisk bunnrist for lagring (4).
- Askeoppsamler med stor kapasitet låses på plass, slik at asken ikke blåser utover (5).
- One-Touch®-rengjøringsystem gjør det enkelt å feie ut aske, eller åpner og lukker ventilene (6).
- Termometeret viser steketemperaturen inne i grillen (7).
- Tuck-Away™-lokket glier tilbake til lokkholderen i rustfritt stål og fungerer som et vindskjold når brikettene tennes (8).
- Hengslede spjeld som svinges for å åpne og komme til grillristen, og gjør det enkelt å tilsette briketter eller treflis under steking (9).
- Char-Basket™-kurver gir passende indirekte og konsentrert direkte stekingsfleksibilitet med trestykker eller briketter (10).



## BRUKSOMRÅDE

- ⚠ **ADVARSEL:** Denne grillen skal bare brukes utendørs på et godt ventilert sted. Skal ikke brukes i en garasje, bygning, skjul eller annet innelukket område.
- ⚠ **ADVARSEL:** Tilgjengelige deler kan være meget varme. Hold småbarn unna.
- ⚠ **Bruk aldri grillen under et brennbart overbygg eller overheng.**
- ⚠ **Denne Weber®-grillen skal ikke monteres i eller på campingvogn og/eller båter.**
- ⚠ **Brennbare materialer skal ikke befinne seg nærmere enn 60 cm fra toppen, bunnen, baksiden eller sidene på grillen.**
- ⚠ **Hele grillrommet blir varmt under bruk. Forlat ikke grillen uten tilsyn.**
- ⚠ **Hold elektriske tilførselsledninger og drivstofftilførselsledningen borte fra varme overflater.**
- ⚠ **Hold grillområdet fritt for antenkelige gasser og væsker, slik som bensin, alkohol, etc., og andre brennbare materialer.**
- ⚠ **Grillen må ikke flyttes når det er i bruk. La grillen kjøle ned før den flyttes.**
- ⚠ **Denne grillen er ikke beregnet til å være, eller skal aldri brukes, som et varmeapparat.**



## TILKOBLING AV ENGANGS-GASSBEHOLDEREN

Benytt engangs-gassbeholder med en minimum kapasitet på 430 g og en maksimum kapasitet på 460 g. Beholderen må ha en EN417-ventil som vist på tegningen. En type beholder som kan brukes er Primus modell 2202 eller Weber Q Gas engangs-gassbeholder.

**⚠ FORSIKTIG: Bruk bare beholdere som er merket propan eller blanding av propan og butan.**

Trykk engangs-gassbeholderen inn på regulatoren og dreii den med klokka til den er tett.

**⚠ ADVARSEL: Trekk bare til for hånd. Hvis du bruker for mye kraft kan det skade regulatorkoblingen og forårsake lekkasje eller manglende gasstrøm.**

## SJEKK OM DET ER GASSLEKKASJER:

## ⚠ FARE

Bruk ikke åpen flamme for å sjekke om det er gasslekkasjer. Påse at det ikke finnes gnister eller åpne flammer i området mens du sjekker for lekkasjer. Gnister eller flammer vil resultere i brann eller eksplosjon, noe som kan medføre alvorlige personskader eller død, så vel som skade på eiendom.

Du vil trenge: engangs-gassbeholder, litt såpevann og en klut eller en pensel for å påføre dette.

- Bland oppvaskmiddel og vann.
- Drei gassregulatoren til på ved å dreie den mot klokka.
- Sjekk for lekkasjer ved å fukte alle forbindelsene med såpevann og se etter om det bobler. Oppstår det bobler, eller hvis boblene vokser, er det en lekkasje.

## SJEKK:

- Regulator-til-engangs-gassbeholder tilkobling.

**⚠ ADVARSEL: Hvis det er lekkasje ved tilkoblingen (1), fjern engangs-gassbeholderen. Bruk ikke grillen. Bruk en annen engangs-gassbeholder og sjekk for lekkasjer på ny med såpevann. Steng AV gassen, hvis det forekommer lekkasje etter at engangs-gassbeholderen er ettertrukket. BRUK IKKE GRILLEN. Kontakt Kundeservice hos din lokale forhandler ved hjelp av kontaktinformasjonen på vår webside. Logg deg på [www.weber.com](http://www.weber.com)®.**

## SJEKK:

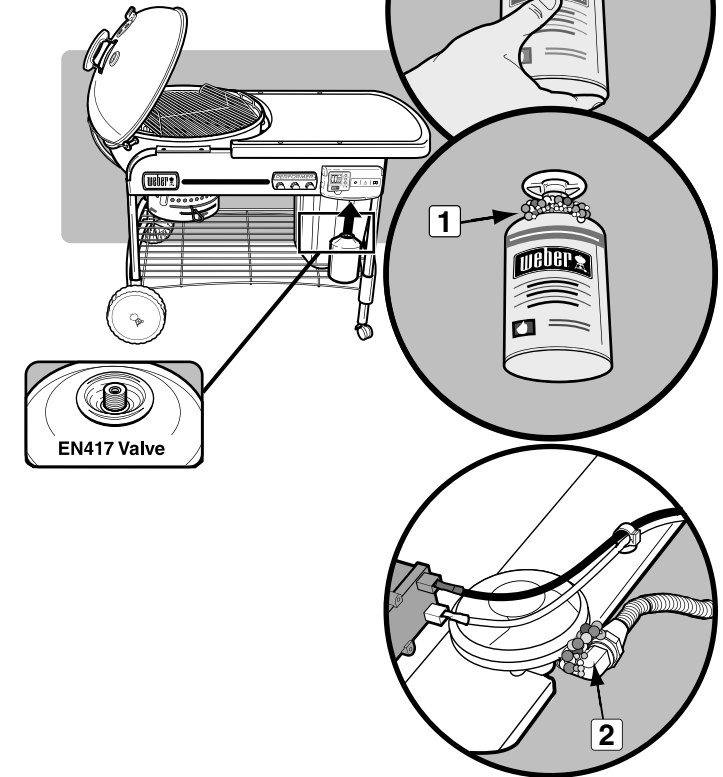
- Forbindelsene mellom ventilen og regulatoren.

**⚠ ADVARSEL: Hvis det er lekkasje i forbindelsen (2), så skru AV gassen. BRUK IKKE GRILLEN. Kontakt Kundeservice hos din lokale forhandler ved hjelp av kontaktinformasjonen på vår webside. Logg deg på [www.weber.com](http://www.weber.com)®.**

Når du har gjennomført sjekk for gasslekkasje, skal du skru gasstilførselen AV og skylle forbindelsene med vann.

## ⚠ FARE

Engangs-reservebeholdere med gass må ikke lagres under eller i nærheten av dette apparatet.



## TENNING

## ⚠ FARE

Åpne lokket før tenning. Bruk ikke antennelige væsker slik som tennvæske, bensin, alkohol eller noen form for selvantennende briketter, inkludert ved manuell opptenning. Hvis du ikke gjør det vil det forårsake alvorlig brannskade eller død.

A) Ta av grilllokket før du bruker gassen.

⚠ **FARE:** Hvis du ikke gjør dette kan det føre til at det bygger seg opp gass som kan forårsake brann eller eksplosjon, som kan medføre alvorlig personskade eller død, eller skade på eiendom.

B) Åpne spjeldene i bunnen (1).

C) Plasser Char-Baskets™ over brenneren (2).

D) Trykk inn hakene på dekslet til gassregulatoren (3) og løft for å åpne.

E) Skru på gasstilførselen (mot klokka) minst en hel omdreining (4).

⚠ **ADVARSEL:** Len deg ikke over den åpne grillen mens du tenner opp.

F) Trykk og hold inne tenningsknappen helt til brenneren tennes (5).

⚠ **ADVARSEL:** Flammene kan være vanskelige å se på en lys dag.

G) Etter at brikettene er tent (ca. 5 minutter), vri gasskontrollknappen AV (med klokken) helt til den er stengt.

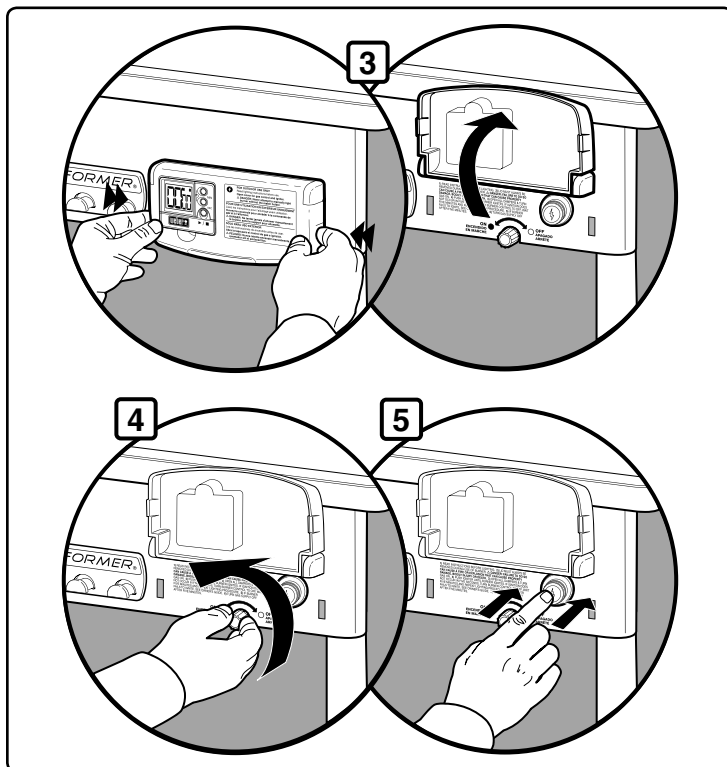
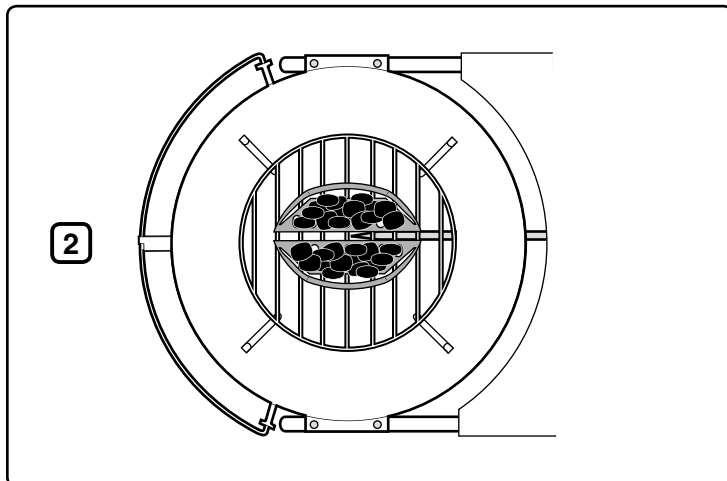
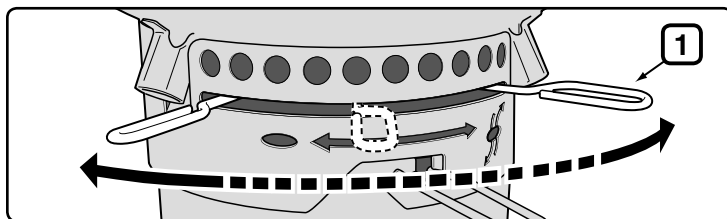
⚠ **ADVARSEL:** Husk å lukke lokket helt.

*Merk - Bruk av beholderen over lengre tid reduserer levetiden på beholderen.*

H) Du kan begynne steking når brikettene har fått et lyst grått askelag (omtrent 25-30 minutter).

## SLUKKING AV GRILLEN

Vri gasskontrollknappen AV (med klokken) helt til den er stengt.



## MANUELL OPPTENNING

⚠ **ADVARSEL:** Du må ikke forsøke å tenne manuelt uten å bruke fyrstikkholderen.

⚠ **FARE**

Åpne lokket før tenning. Bruk ikke antennelige væsker slik som tennvæske, bensin, alkohol eller noen form for selvantennende briketter, inkludert ved manuell opptenning. Hvis du ikke gjør det vil det forårsake alvorlig brannskade eller død.

A) Ta av grilllokket før du bruker gassen.

⚠ **FARE:** Hvis du ikke gjør dette kan det føre til at det bygger seg opp gass som kan forårsake brann eller eksplosjon, som kan medføre alvorlig personskade eller død, eller skade på eiendom.

B) Åpne spjeldene i bunnen (1).

C) Flytt Char-Baskets™ bort fra brenneren (2).

D) Trykk inn hakene på dekslet til gassregulatoren (3) og løft for å åpne.

E) Sett en fyrstikk i fyrstikkholderen (4). Tenn fyrstikken.

F) Skru på gasstilførselen (mot klokka) minst en hel omdreining (5).

G) Sett fyrstikkflammen i bakkant av brenneråpningen (6).

⚠ **ADVARSEL:** Hold ikke hånden direkte over brenneren ved manuell tenning.

⚠ **ADVARSEL:** Len deg ikke over den åpne grillen mens du tenner opp.

⚠ **ADVARSEL:** Flammene kan være vanskelige å se på en lys dag.

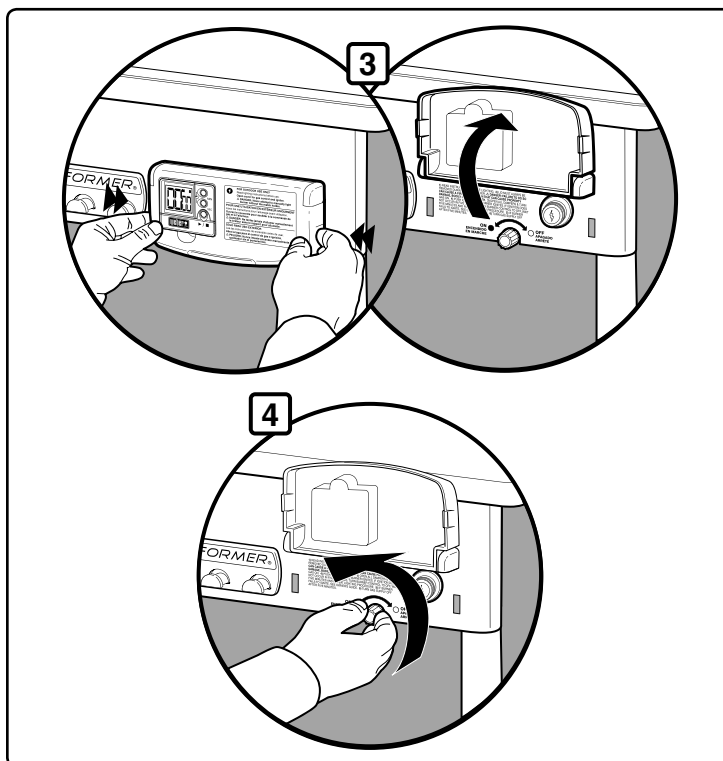
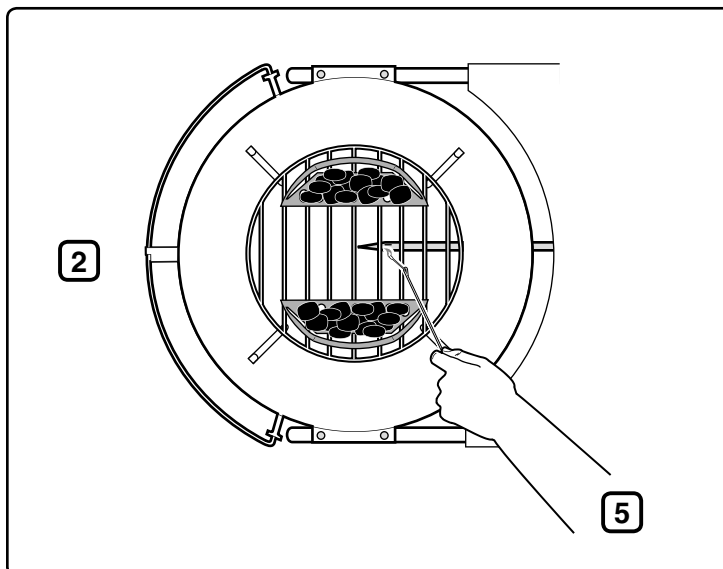
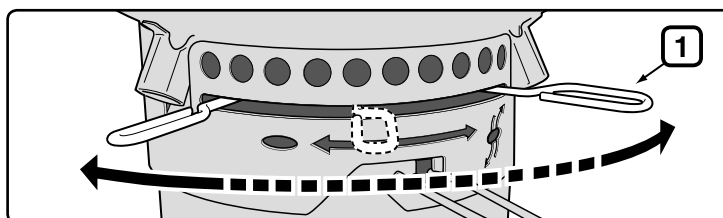
H) Bruk grillvotter og bruk tang for å stille inn Char-Baskets over brenneren.

I) Etter at brikettene er tent, (ca. 5 minutter), skru du AV gassregulatoren (med klokka) inntil den er stengt.

J) Du kan begynne steking når brikettene har fått et lyst grått askelag (omtrent 25-30 minutter).

## SLUKKING AV GRILLEN

Vri gasskontrollknappen AV (med klokken) helt til den er stengt.



## BETJENING AV TIDSUR

Dette vannbestandige digitale tidsuret gir deg både opptellings- og nedtellingsegenskaper i minutter og sekunder.

### Angi tid for nedtelling:

- Trykk på **MIN**-knappen (1) for å angi antall minutter. Hold knappen nede for å hurtigspole tallene (maksimumsinnstilling: 99 minutter (4)).
- Trykk på **SEK**-knappen (2) for å angi antall sekunder. Hold knappen nede for å hurtigspole tallene (maksimumsinnstilling: 59 sekunder (5)).
- Trykk på **Start / Stopp**-knappen: ► / ■ (3).
- Når ønsket tid er nådd, vil alarmen høres i 30 sekunder og automatisk restarte nedtellingen fra den forrige tidsinnstillingen.

### Angi tid for opptelling:

- Trykk på **Start / Stopp**-knappen: ► / ■ . Under opptelling vil skjermen vise avlesning i minutt/sekund-format.
- Trykk på knappen igjen for å stanse tidsuret. (Maksimuminnstilling: 99 minutter (4), 59 sekunder (5)).

### Tømme tiden:

- Trykk inn både **MIN** og **SEK** ↻ knappene samtidig (1)(2).

*Merk: Hvis du bruker den i et miljø som utsetter tidsuret for elektrostatisk utfladning, kan du miste innstillingen av tidsenheten. Hvis dette skjer, må du tilbakestille enheten og skrive inn tidsinnstillingen igjen.*

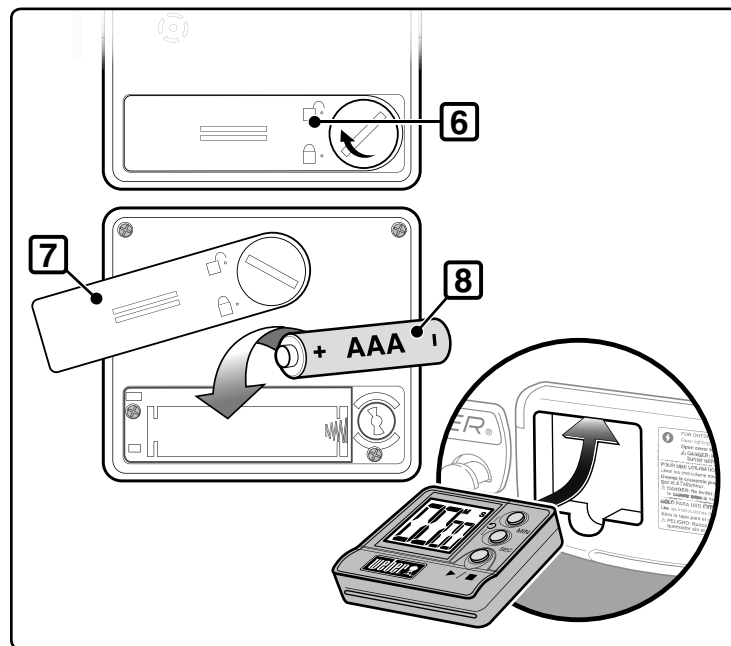
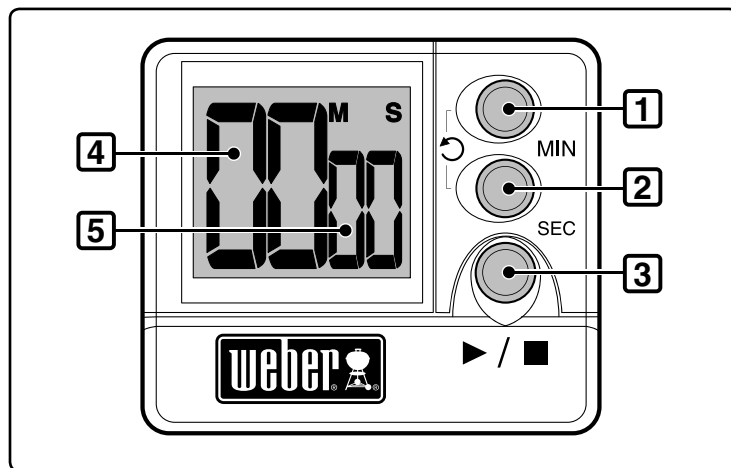
### Batteriinstallasjon:

- Lås opp batteridekselet bak på tidsuret (6) ved å dreie låsen med klokken.
- Fjern batteridekselet fra baksiden av tidsuret (7).
- Skift AAA-batteriet (8).
- Sett tilbake batteridekslet.
- Lås batteridekselet ved å vri låsen mot klokken.
- Etter at batteriet er installert, vil (0000) bli vist på LCD-skjermen.

### Vedlikehold:

- Ikke rengjør enheten med skure- eller etsemidler, som kan skrape opp enhetens deler og ruste de elektroniske kretsene.
- Ikke utsett enheten for for mye kraft, støt, støv, høye/lav temperaturer eller fuktighet, noe som kan føre til at enheten svikter, kortere elektronisk levetid, batteriskader og forvridde deler.
- Ikke forstyr enhetens elektroniske komponenter. Å gjøre dette vil gjøre enhetens garanti ugyldig og kan føre til unødvendig skade på batteriet og de innvendige delene.
- Ikke utsett enheten for for mye direkte sollys eller kraftig regn.
- Ikke senk enheten ned i vann.

**For best ytelse av det digitale tidsuret, anbefales det å ta tidsuret inn når det ikke er i bruk.**



PROBLEM	SJEKK	UTBEDRE
Brennerne brenner med en gul eller oransje flamme, i tillegg til gassluk.	Kontroller brenner for mulige blokkeringer.	Rengjør brenneren. (Se avsnittet "Vedlikehold")
Brenneren tenner ikke, eller flammen er lav.	Er LP-gassbeholdningen lav eller tom?	Skift LP-beholderen.
	Er drivstoffslangen bøyd eller har knekk?	Rett inn slangen.
	Kan brenneren tennes med en fyrstikk?	Hvis brenneren lar seg tenne med en fyrstikk, så sjekk tenningssystemet.
	Sitter slangen til forbindelsen til brennerøret ordentlig?	Koble til gasslangan til brennerøret ved å bruke festeklipset i metall som følger med. <b>⚠ FARE: Bruk ikke gassteningen hvis festeklipset mangler. Hvis festeklipset mangler kan det medføre alvorlig personskade eller død, og skade på eiendom.</b> Kontakt Kundeservice hvis du skal skifte festeklipset.
Brennerflammen har feil mønster.	Er brenneren rengjort?	Rengjør brenneren. (Se avsnittet "Vedlikehold")
Brenneren tenner ikke når du trykker inn tenningsknappen.	Kontroller at det er gasstilførsel til brennerne ved å forsøke å tenne dem med fyrstikker. Se "MANUELL TENNING."	Hvis du får tent med fyrstikk, ligger problemet et sted i tenningsystemet. Se: "BETJENING AV ELEKTRONISK TENNINGSSYSTEM."
	Er det satt inn et nytt batteri?	Forsikre at batteriet er i god stand og montert riktig. Se "KONTROLL AV ELEKTRONISK TENNER."
	Er ledningene koblet riktig til tenningsmodulen?	Pass på at ledningene er satt riktig på klemmene på tenningsboksen. Se: "BETJENING AV ELEKTRONISK TENNINGSSYSTEM."
	Er det plast rundt det nye batteriet?	Fjern plasten.
Tidsuret fungerer ikke.	Er det satt inn et nytt batteri?	Forsikre at batteriet er i god stand og montert riktig. Se: "BETJENING AV TIDSUR."
Innsiden av lokket "flasser": (Ligner på avflasset maling.)	Det du ser er fastbrent fett, som er blitt forkullet og flasser av. <b>DETTE ER INGEN DEFEKT.</b>	Rengjør grundig. (Se avsnittet: "Rengjøring")

Hvis dine problemer ikke kan løses ved bruk av disse metodene, vennligst kontakt Kundeservice hos din lokale forhandler, ved å bruke kontaktinformasjonen på vår webside. Logg deg på [www.weber.com](http://www.weber.com)®.

## VEDLIKEHOLD

Etter at grillen ikke har vært brukt i periode, anbefaler vi at du utfører følgende vedlikeholdsprosedyre av hensyn til din egen sikkerhet.

- Sjekk slangen om den har knekk, brudd, skrammer eller kutt, før hver gang du bruker grillen. Hvis slangen er skadet på noen måte, må du ikke bruke grillen. Bruk bare Weber®-godkjente deler ved utskifting. **Kontakt Kundeservice hos din lokale forhandler ved hjelp av kontaktinformasjonen på vår webside. Logg deg på [www.weber.com](http://www.weber.com).**

**⚠ ADVARSEL: Hvis gassslangen til grillen er skadet på noen måte eller lekker, må du ikke bruke grillen.**

- Sjekk om brenneren har riktig flammemønster. (se avsnittet "Flammemønster på brenner"). Rengjør hvis nødvendig, ifølge prosedyrene som er beskrevet i dette avsnittet.
- Sjekk alle gasstilkoblingene for lekkasjer. (Se avsnittet "Sjekk om det er gasslekkasjer").

## PERIODISK RENGJØRING

For å fjerne aske fra bunnen skyver du reguleringsstangen (1) fra side til side slik at demperbladene feier aske gjennom bunnventilene og inn i askeoppsamlere.

**⚠ ADVARSEL: Pass på at brenneren er AV og grillen er kald før rengjøring.**

Ikke utvid brenneråpningene under rengjøring.

### Rengjøring av brenner:

- Børst utsiden av brennerøret (2) og brenneråpningen (3) med en metallbørste.

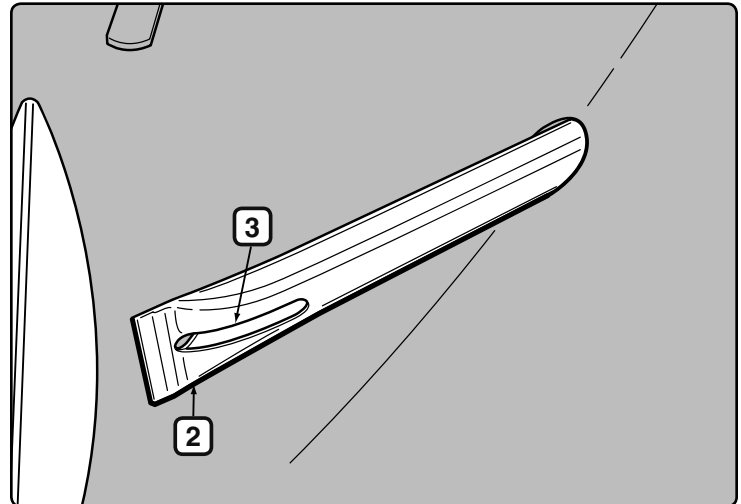
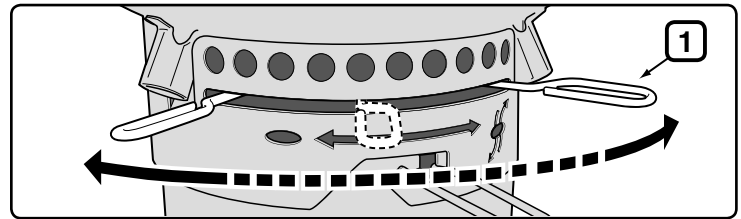
**⚠ ADVARSEL: Ikke utvid brenneråpningene eller gassåpningen under rengjøring.**

### Rengjøring av grillen:

- Tørk innsiden av lokket med tørkepapir når lokket er varmt, for å hindre at det samler seg fett her.
- Bruk varmt såpevann til rengjøring av utvendige flater, skyll godt med rent vann.

**For mer grundig rengjøring** (må gjøres minst en gang i året):

- A) Ta ut aske når brikettene er helt slukket.
- B) Ta ut ristene og Char-Baskets™.
- C) Tørk av med papirhåndkle. Vask med mild såpe og vann. Skyll godt med rent vann og tørk.



## LAGRING

- Når Performer-grillen lagres innendørs må gasstilførselen kobles fra og LP-beholderen lagres utendørs på et sted med god ventilasjon.
- LP-beholderen må lagres utendørs på et godt ventilert sted og holdes borte fra kontakt med barn, og må ikke lagres i en bygning, garasje eller annet innelukket område.
- Etter en lagringsperiode og/eller hvis grillen ikke har vært i bruk, skal du kontrollere om det er gasslekkasje og om brennerøret er blokkert før du bruker den (se avsnitt "Vedlikehold").
- Sjekk at området rundt beholderen, slangen og brennerenheten er fri for rester som kan hindre gasstrøm eller luft, før bruk.



**VÆR OPPMERKSOM PÅ INSEKTER**

Performer-grillen og eventuelle andre gassapparater som brukes utendørs, er et yndet sted for edderkopper og andre insekter. Disse kan slå seg til i venturidelen (1) i brennerrøret og forårsake at gassen strømmer tilbake ut av luftspjeldet.

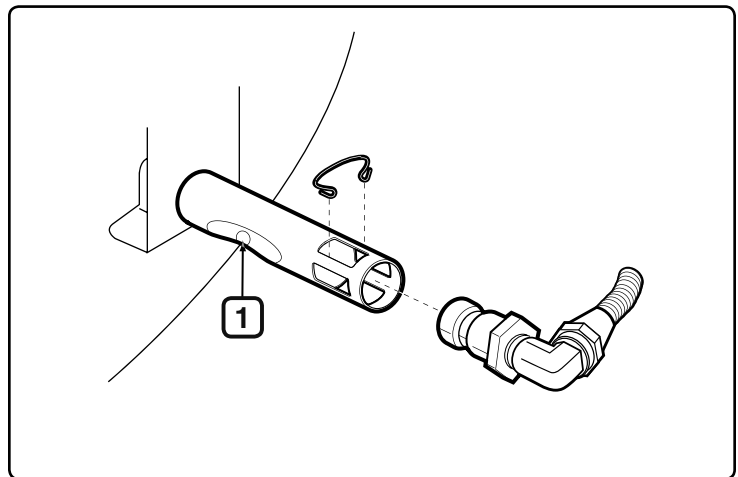
Dette kan forårsake en brann i og rundt brennerrøret under bunnpanelet. Dette kan føre til alvorlig skade på grillen, som gjør at det er farlig å bruke den.

Vi anbefaler på det sterkeste at du kontrollerer og rengjør brennerrøret minst en gang i året, eller hvis følgende symptomer oppstår:

- A) Lukten av gass i tillegg til brennerflammene er gule og brenner langsomt.
- B) Det høres en smellende lyd fra brenneren.

**⚠ FARE**

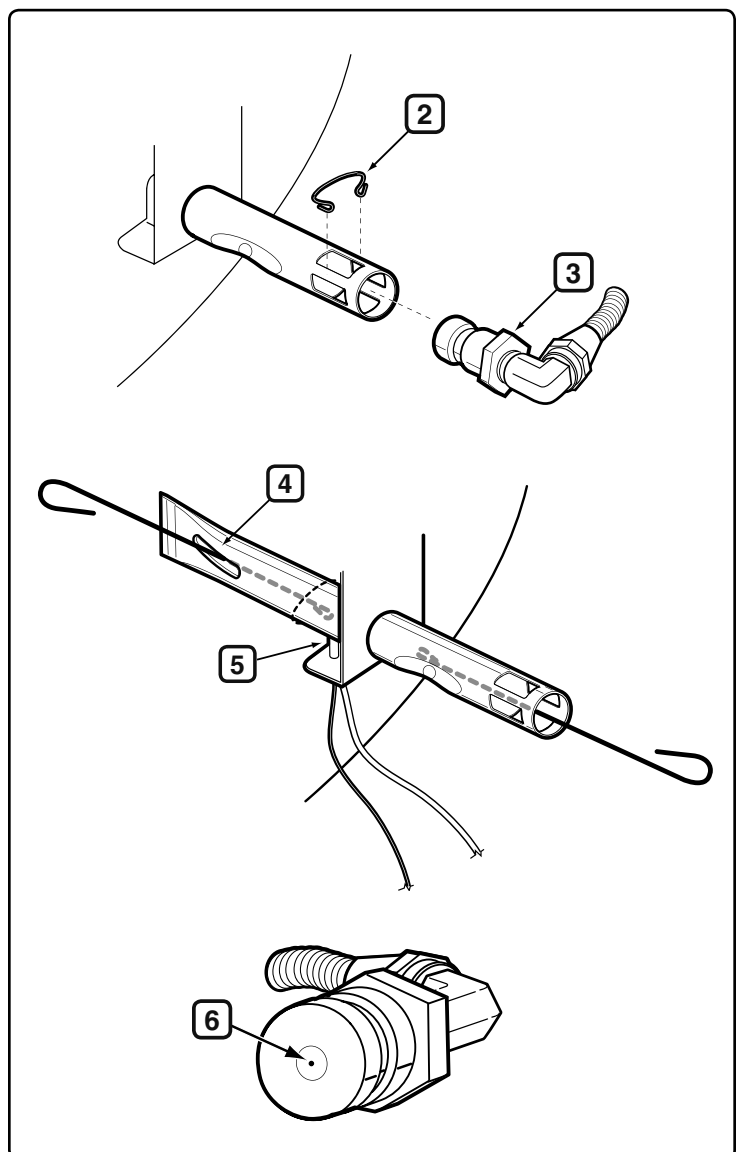
**Dersom disse symptomene ikke rettes på, kan det resultere i en brann som kan medføre alvorlig personskade eller død, og skade på eiendom.**

**KONTROLL OG RENGJØRING AV BRENNEREN**

- A) Slå AV gassen.
- B) Ta av CharBin™-oppbevaringsbeholder.
- C) Ta åpningsklipset (2) og slangeilkoblingen (3) av brennerrøret.
- D) Se inni brenneren med en lommelykt.
- E) Rengjør innsiden av brennerne med fyrstikkholderen av ståltråd (følger med). Bruk ledningen til å rengjøre området ved luftspjeldåpningen, venturidelen, og brenneråpningene (4) på innsiden av bunnen. Vær forsiktig når du setter inn rengjøringsverktøyet i brenneren så du ikke skader tennerelektroden (5).
- F) Kontroller med lommelykt igjen for å se at det ikke er noen hindringer.
- G) Hvis det er nødvendig kan overflaten på slangekoblingen rengjøres med en metallbørste. Åpningen (6) kan rengjøres med en liten nål.

**⚠ ADVARSEL: Ikke utvid åpningen under rengjøring.**

- H) Monter ved å ta trinnene B og C i motsatt rekkefølge.

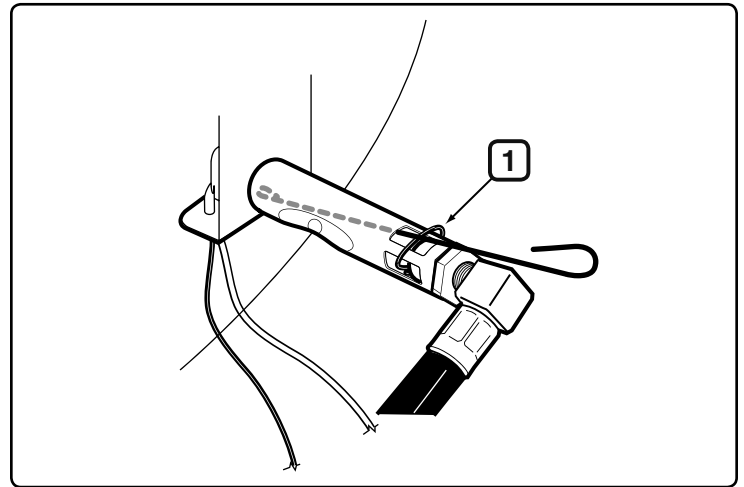


### PERIODISK HURTIGRENGJØRING

Vi anbefaler at du børster utsiden av brenneråpningene med en metallbørste med jevne mellomrom, og rengjør brennerøret gjennom luftspjeldet med fyrstikkholderen som følger med.

Dette kan gjøres ved å finne luftspjeldet på brenneren (1) under bunnbraketten og sette inn verktøyet gjennom hvert luftspjeld, og dreie verktøyet. Vær forsiktig når du setter inn fyrstikkholderen i brenneren så du ikke skader tenningsselektroden.

**⚠ ADVARSEL: Det er viktig å øke frekvensen på denne rengjøringsprosedyren i løpet av vår og sommermånedene.**



### INSPEKSJON AV ELEKTRONISK TENNING

Hvis det elektroniske tenningsystemet ikke tenner, må du se etter at det er gasstilførsel ved å forsøke å tenne brenneren med en fyrstikk. Se: "MANUELL OPPTENNING." Hvis du får tent med fyrstikk, ligger problemet et sted i det elektroniske tenningssystemet.

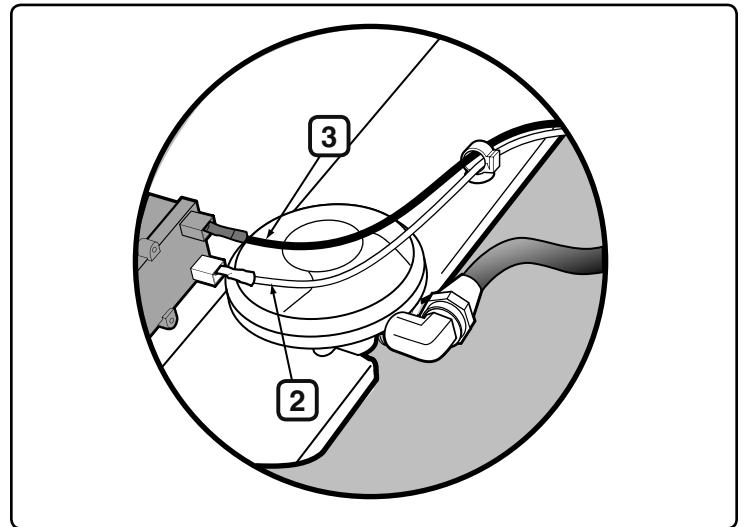
**⚠ ADVARSEL: Gasskontroll og tilførselsventil skal være i AV-stillingen.**

- Sjekk at AAA-batteriet (bare alkalisk) er i god stand og at det er montert riktig (1). Noen batterier har plastbeskyttelse. Denne platen må fjernes. Du må ikke forveksle denne platen med batterietiketten.
- Sjekk at både den hvite (2) og den svarte (3) tenningsledningen er festet ordentlig.
- Kontroller at den elektroniske tenningsknappen fungerer ved å lytte og se etter gnister ved brenneren.
- Sjekk for å se om tenneren har løsnet fra rammen. Trekk til om nødvendig. Se trinn: "Installer" for riktig prosedyre.

#### Skift Batteriet Om Nødvendig

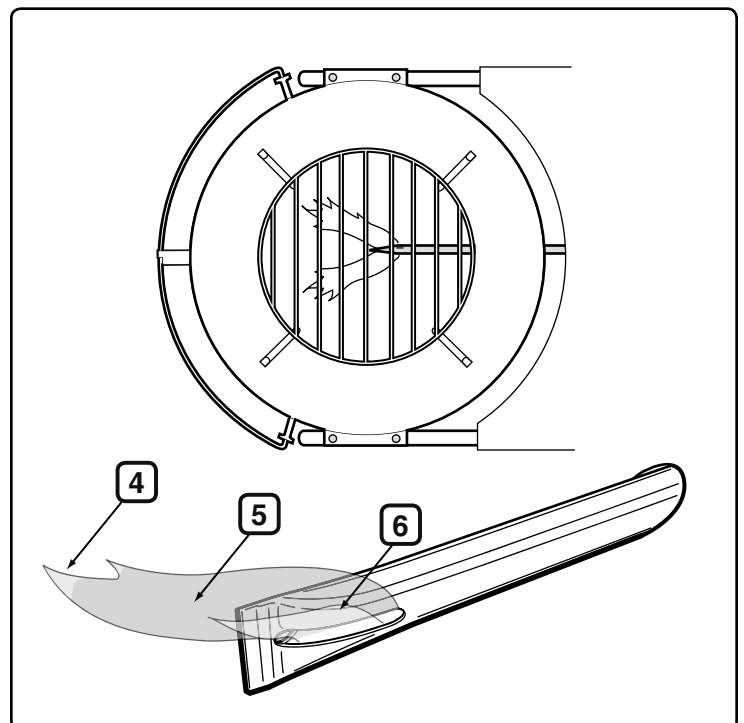
Bare AAA alkalisk batterier.

Hvis det elektroniske tennersystemet fortsatt ikke fungerer, kontakt Kundeservice hos din lokale forhandler ved hjelp av kontaktinformasjonen på vår webside. Logg deg på [www.weber.com](http://www.weber.com).



### FLAMMEMØNSTER PÅ BRENNER

Brenneren er innstilt av fabrikk for riktig luft- og gassblanding. Det korrekte flammemønsteret skal ha gulaktige topper (4) mørk blå i midten (5), og lys blå ved brennerøret (6). Hvis flammene ikke opptrer som vist, eller hvis det oppstår en "smellende" lyd, må du følge rengjøringsprosedyren for brenneren.





**⚠ VÆR OPPMERKSOM PÅ: Dette produktet er blitt sikkerhetstestet og er bare sertifisert for bruk i et spesielt land. Se på landsmerkingen som sitter utenpå kartongen.**

Disse delene kan være gassførende eller gassbrennende komponenter. Vennligst kontakt Weber-Stephen Products LLC Kundeserviceavdelingen for informasjon om originale Weber-Stephen Products LLC reservedeler.

**⚠ ADVARSEL: Gjør ikke forsøk på å reparere noen gassførende eller gassbrennende komponenter uten å kontakte Weber-Stephen Products LLC kundeserviceavdeling. Hvis du ikke etterfølger denne produktadvarselen, kan det forårsake en brann eller en eksplosjon som resulterer i alvorlig personskade eller død og skade på eiendom.**



**Dette symbolet viser at produktet ikke må kastes sammen med husholdningsavfall. For instruksjoner om sikker avhending av dette produktet i Europa, vennligst besøk [www.weber.com](http://www.weber.com)<sup>®</sup>, og kontakt importøren som er oppgitt for ditt land. Hvis du ikke har tilgang til Internett, kontakt forhandleren din for å få importørens navn, adresse og telefonnummer.**

Når du bestemmer deg for å avhende eller kassere grillen, må alt elektrisk (f.eks. rotisserimotor, batterier, tenningsmodul, håndtakbelysning) fjernes og avhendes forskriftsmessig ifølge WEEE (EU-direktivet for elektrisk og elektronisk avfall). De skal avhendes separat fra grillen.



WEBER-STEPHEN PRODUCTS LLC  
[www.weber.com](http://www.weber.com)<sup>®</sup>



# PERFORMER® DELUXE

## Brugervejledning for kulgrill

Samling - p. 5

#54785



**DENNE BRUGERVEJLEDNING SKAL  
LÆSES OMHYGGELIGT, FØR DU  
ANVENDER DIN GASGRILL**

### ⚠ FARE

Ved gaslugt:

1. Luk for gassen til udstyret.
2. Sluk åbne flammer.
3. Åbn låget.
4. Hvis lugten vedvarer, så hold afstand til apparatet, og ring straks til gasleverandøren eller brandvæsenet. Lækkende gas kan forårsage brand eller eksplosion, som kan medføre alvorlig kvæstelser eller død, eller materiel skade.

⚠ **ADVARSEL:** Følg omhyggeligt denne vejlednings procedurer for at kontrollere, om der er lækager, inden grillen betjenes. Gør det, også selv om det er forhandleren, der har samlet grillen.

### ⚠ ADVARSEL:

1. Der må ikke opbevares eller anvendes benzin eller andre brandfarlige dampe og væsker i nærheden af dette eller noget andet apparat.
2. En gasflaske, der ikke er tilsluttet til brug, må ikke opbevares i nærheden af dette eller noget andet apparat.

⚠ **ADVARSEL:** Prøv ikke på at tænde Weber® gas systemet uden først at have læst instrukserne under "Optænding" i denne vejledning.

### OPLYSNINGER TIL INSTALLATØREN:

Ejeren skal beholde denne vejledning, som skal gemmes til fremtidig brug.

**KUN TIL UDENDØRS BRUG.**

OVERHOLDES DISSE FARE- OG ADVARSELSESKLÆRINGER IKKE, KAN DET MEDFØRE ALVORLIGE KVÆSTELSER ELLER DØDEN, ELLER DET KAN UDLØSE BRAND ELLER EKSPLOSION, DER RESULTERER I MATERIELLE SKADER.

- △ SIKKERHEDSSYMBOLER( △ ) vil advare dig om vigtige oplysninger om SIKKERHED.
- △ Signalordene FARE, ADVARSEL eller FORSIGTIG ses sammen med SIKKERHEDSSYMBOLERET.
- △ FARE betegner den mest alvorlige risiko.
- △ Læs venligst alle de sikkerhedsinformationer, der findes i denne brugervejledning, før du betjener grillen.

#### △ FARE

- △ Følger man ikke de oplysninger om farer, advarsler og forsigtighed, som findes i denne brugervejledning, kan det medføre alvorlige kvæstelser eller døden eller materielle skader fra brand eller eksplosion.
- △ Må ikke anvendes indendørs! Denne grill må kun anvendes udendørs. Anvendes den indendørs, kan der ophobes giftige dampe, som forårsager alvorlige kvæstelser eller døden.
- △ Denne grill må kun anvendes udendørs på et sted med god ventilation. Må ikke anvendes i en garage, bygning, skur eller andet indelukket område.
- △ Brug ikke denne grill under overdækninger udført i brandbart materiale.
- △ Forkert samling kan være farlig. Sørg for at følge samlevejledningen omhyggeligt. Anvend ikke grillen, medmindre alle dele er på plads. Sørg for, at enten askeskuffen er ordentligt fastgjort til benene under grillkuglen, eller at den rummelige askeskuffe er på plads, før grillen tændes.
- △ Kom ikke tændvæske eller kul mættet med tændvæske på brændende eller varme kul. Sæt hættten på tændvæsken efter brug, og sæt den et sikkert sted borte fra grillen.
- △ Brug ikke på noget tidspunkt hverken benzin, flydende tændvæske eller sprit/alkohol på kullene. Brug aldrig nogen form for selvtændende kul.
- △ Du bør udvise rimelig forsigtighed, når du bruger grillen. Den bliver varm under grillningen, og må aldrig efterlades uovervåget.
- △ Lad aldrig spædbørn, børn eller kæledyr opholde sig i nærheden af en varm grill uden opsyn.
- △ Forsøg aldrig at flytte en varm grill.
- △ Anvend aldrig grillen inden for 1,5 meter fra noget som helst antændeligt materiale. Antændelige materialer omfatter, men er ikke begrænset til, træ eller behandlede trægulve, terrasser og verandaer.
- △ Brændbare materialer må aldrig være inden for 60 cm fra grillens top, bund eller sider.
- △ Sørg for at holde alle brandfarlige dampe og væsker, f.eks. benzin, sprit/alkohol og andre antændelige materialer, langt væk fra grillområdet.
- △ Asken må ikke fjernes, før alt kul er helt færdigbrændt, og alt er slukket, og grillen er kold.
- △ Læg altid kul i Char-Baskets™ kulbakken eller oven på den nederste (kul) rist. Læg ikke kul direkte i kuglens bund.
- △ Vær ikke iført tøj med løsthængende ærmer, mens du tænder eller anvender grillen.
- △ Læn dig aldrig ind over grillen, når du tænder gasbrænderen.
- △ Brug ikke grillen i blæsevej.
- △ Brug ikke grillen, hvis der er gasudsivning.
- △ Brug ikke en flamme til at kontrollere, om der er gasudsivning.
- △ Hvis brænderen skulle gå ud på et eller andet tidspunkt under brugen af grillen, så sluk på ventilen. Fjern låget, og vent fem minutter, før du forsøger at genantænde ved brug af tændingsinstruktionerne, der gives i denne vejledning.
- △ Forsøg ikke at adskille gasregulatoren fra tanken eller anden gasforbindelse, mens grillen er i brug.
- △ Brug kun den propangasregulator, der fulgte med din grill.

#### △ ADVARSEL

- △ For regulatorens tilslutning følges vejledningen, der passer til din type gasgrill.
- △ Opbevar ikke en ekstra eller frakoblet engangs propangasflaske under eller i nærheden af grillen.
- △ Anbring altid grillen på et solidt, lige underlag, væk fra alle brændbare materialer.
- △ Læg ikke et grillovertræk eller noget brandbart materiale på eller i opbevaringsområdet under grillningen.
- △ Tag altid låget af før tænding af gasbrænder, uanset om dette gøres manuelt eller med tændingsknappen. Låget må ikke lægges på, før kullene er fuldstændig antændt.
- △ Rør aldrig ved grill- eller kulriste, aske, kul eller grillen for at mærke, om de er varme.
- △ Brug ikke lava eller kulsten i denne grill.
- △ Brug ikke vand til at neddæmpe opflammer eller til at slukke kul, da det kan ødelægge porcelænsoverfladen. Luk bundspjældene lidt, og læg låget på kuglen.
- △ Sluk kullene, når grillningen er færdig. Luk alle spjæld efter at have lagt låget på.
- △ Du skal altid bruge grillhandsker, mens du griller, justerer luftspjæld, tilføjer flere kul og håndterer termometeret eller låget.
- △ Benyt korrekte grillredskaber med lange håndtag, der kan tåle varme.
- △ Ved nogle modeller medfølger Tuck-Away™ lågholderen. Tuck-Away™ lågholderen bruges til at holde låget, mens man ser til maden eller vender den. Brug ikke Tuck-Away™ lågholderen som håndtag til at løfte eller flytte grillen. Læg aldrig et varmt låg på gulvtæppe eller græs. Hæng ikke låget på kuglehåndtaget.
- △ Læg ikke varme kul, hvor de kan blive trådt på eller være til brandfare. Udtøm aldrig aske og kul, før de er helt slukket. Sæt ikke grillen på plads, før aske og kul er helt slukket.

- ⚠ Varme el-startere skal håndteres forsigtigt og opbevares omhyggeligt.
- ⚠ Sørg for at el-ledninger og kabler holdes væk fra grillens varme overflader og fra områder, hvor mange færdes.
- ⚠ Efter en opbevaringsperiode og/eller en periode uden brug skal du før ibrugtagning kontrollere, om der er gasudsivninger og tilstopning af brænderen. Læs instrukserne i denne vejledning for de korrekte procedurer.
- ⚠ Det er farligt at ændre eller forsøge at bruge naturgas med denne grill, og det ophæver garantien.
- ⚠ En bulet eller rusten engangs propangasflaske kan være farlig, og skal kontrolleres af leverandøren. Brug ikke en engangs propangasflaske med beskadiget ventil.
- ⚠ Selv om din engangs propangasflaske ser tom ud, kan den stadig indeholde gas. Engangs propangasflasken skal transporteres og opbevares i henhold hertil.
- ⚠ Hvis du ser, lugter eller hører gasudslip fra engangs propangasflasken:
  1. Gå straks væk fra engangs propangasflasken.
  2. Forsøg ikke at løse problemet selv.
  3. Tilkald brandvæsenet.

⚠ FORSIGTIGHEDSREGLER

- ⚠ Fores kuglen med alufolie, forhindrer det luften i at strømme igennem. Brug i stedet for en drypbakke til opfange dryp fra kødet, når det grilles med den indirekte metode.
- ⚠ Overfladen beskadiges, hvis der bruges skarpe genstande til at rense grillristen eller fjerne asken.
- ⚠ Overfladen beskadiges, hvis der bruges ridende rengøringsmidler på grillristen eller selve grillen.
- ⚠ Grillen skal jævnlige rengøres grundigt.

GARANTI

Weber-Stephen Products LLC (Weber®) giver hermed den OPRINDELIGE KØBER af denne Weber® gasgrill, garanti for at den er uden materiale- og fremstillingsfejl fra købsdatoen på følgende måde:

<b>Grill- og kulriste</b>	<b>2 år</b>
<b>Aluminiumbelagte blade/belagte dele</b>	
<b>One-Touch™ rengøringsystem</b>	<b>5 år</b>
<b>Rustfrit stål One-Touch™ rensesystem</b>	<b>10 år</b>
<b>Kugle og låg mod rust/gennembrænding</b>	<b>10 år</b>
<b>Nylonhåndtag</b>	<b>10 år</b>
<b>Thermoplast/thermosæt dele (Performer®)</b>	<b>10 år</b>
<b>Alle resterende dele</b>	<b>undtaget falmning</b>
	<b>2 år</b>

GARANTIEN ER MOD GENNEMTÆRING. Når de samles og betjenes i overensstemmelse med den medfølgende, trykte vejledning.

Weber kan kræve rimelig dokumentation af købsdatoen. DU SKAL DERFOR GEMME DIN KØBSKVITTERING ELLER FAKTURA.

Denne begrænsede garanti er begrænset til reparation eller udskiftning af dele, som viser sig at være defekte ved almindelig brug og service, og som Weber ved en nærmere undersøgelse vurderer er defekte. Inden nogen dele returneres, kontaktes områdets kundeservicerepræsentanten via de kontaktoplysninger, der findes på vores webadresse. Bekræfter Weber fejlen og godkender dit erstatningskrav, vil Weber udskifte sådanne dele uden beregning. Skal defekte dele returneres, skal forsendelsesomkostningerne betales forud. Weber returnerer delene til køberen med forudbetalt fragt eller frimærker.

Denne begrænsede garanti dækker ikke svigt eller betjeningsproblemer, der skyldes uheld, mishandling, misbrug, ændring, forkert anvendelse, vandalisme, forkert installation eller vedligeholdelse eller service, eller hvis der ikke er udført normal og rutinemæssig vedligeholdelse, inklusive men ikke begrænset til skader, der skyldes insekter i brænderøret, som beskrevet i brugervejledningen.

Nedbrydning eller skader, der skyldes hårdt vejr, såsom hagl, stormvejr, jordskælv eller orkaner, og misfarvning, der skyldes kontakt med kemikalier, enten direkte eller via luften, dækkes ikke af denne begrænsede garanti.

Der er ingen andre udtrykkelige garantier, undtagen som heri anført, og enhver gældende underforstået garanti for salgbarhed og egnethed er begrænset til denne udtrykkelige, skriftlige, begrænsede garantis dækningsperiode. Nogle områder tillader ikke begrænsning af, hvor længe en underforstået garanti er gældende, så denne begrænsning gælder muligvis ikke i dit tilfælde.

Weber er ikke ansvarlig for nogen form for særlige, indirekte eller følgemæssige skader. Nogle områder tillader ikke udelukkelse eller begrænsning af tilfældige eller følgemæssige skader, så denne begrænsning eller udelukkelse gælder muligvis ikke i dit tilfælde.

Weber bemyndiger ikke nogen person eller virksomhed til på sine vegne at påtage sig nogen anden forpligtelse eller ansvar i forbindelse med salg, installation, brug, fjernelse, returnering eller udskiftning af sit udstyr, og ingen sådan erklæring er bindende for Weber.

Denne garanti gælder kun produkter, der er solgt i detailhandlen.

Besøg [www.weber.com](http://www.weber.com)®, vælg dit hjemland og registrer din grill i dag.

UDSKIFTNING AF SLANGE, REGULATOR OG VENTIL

- ⚠ **VIGTIGT OPLYSNING:** Vi anbefaler, at du udskifter gasslangen på din Weber gasgrill hvert 5. år. I nogle lande er der krav om, at gasslangen skal udskiftes hyppigere end hvert 5. år, i disse tilfælde skal du naturligvis følge landets bestemmelser.

For udskiftning af slange, regulator og ventil bedes du kontakte kundeservicerepræsentanten i dit område ved at bruge kontaktoplysningerne på vores websted. Gå ind på [www.weber.com](http://www.weber.com)®.

LAND

GASTYPE OG TRYK

Danmark, Sverige, Norge, Finland, England, Holland, Storbritannien, Frankrig, Spanien, Portugal, Belgien, Irland, Grækenland, Luxembourg, Italien, Tyskland, Østrig

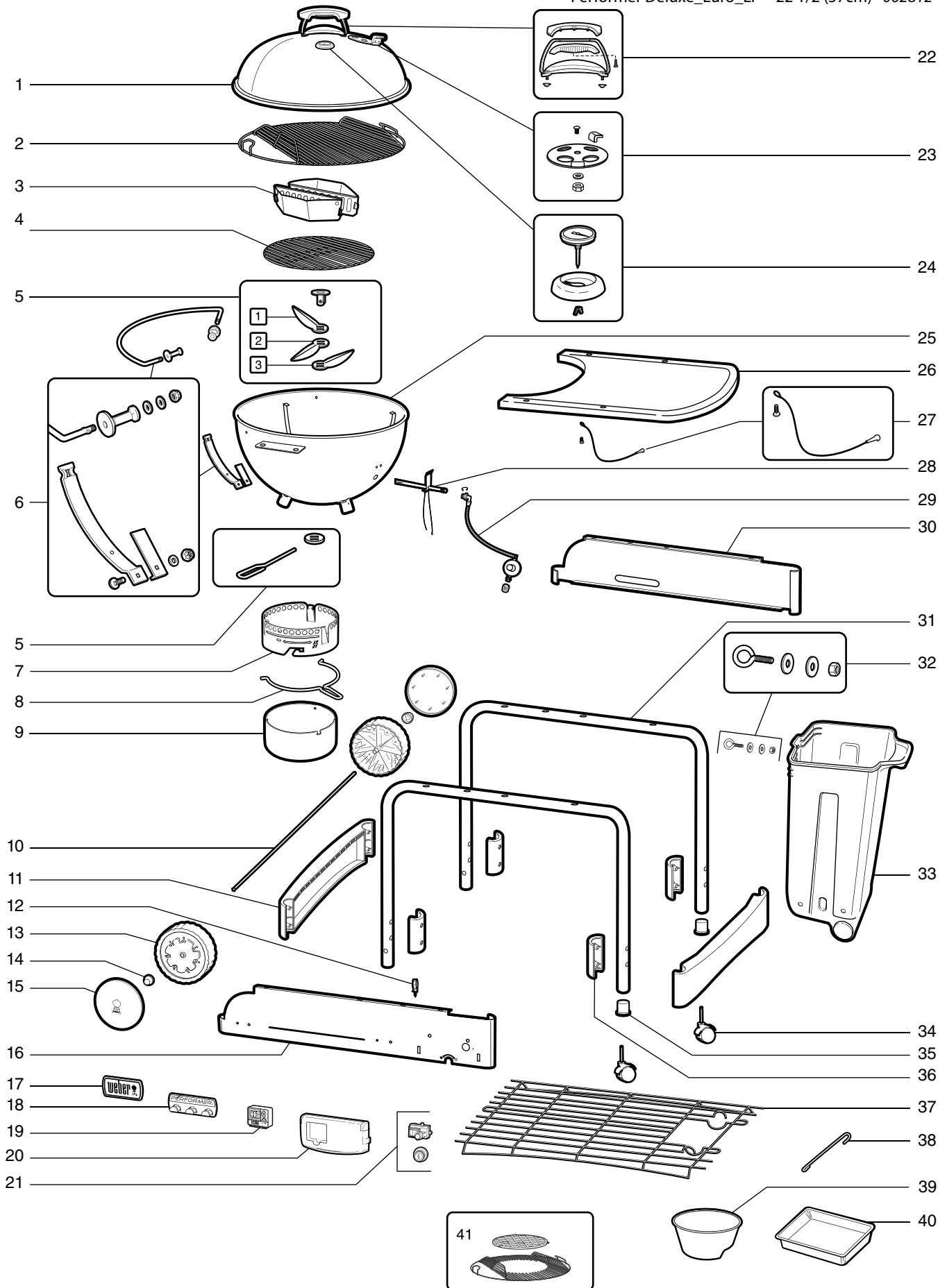
I<sub>3B/P</sub> - 29 mbar

FORBRUGSOPLYSNINGER

Tænding af brænder. Maks.

Propan/ butan-blanding	kW(Hs)	gm(Hs)
	2,6	192

Performer Deluxe\_Euro\_LP - 22 1/2 (57cm) 062812





- |                                          |                                 |                                      |
|------------------------------------------|---------------------------------|--------------------------------------|
| 1. Låg                                   | 15. Hjuldæksel                  | 29. Slange og regulator med hulklips |
| 2. Hængslet grillrist                    | 16. Frontpanel                  | 30. Bagsidepanel                     |
| 3. Char-Baskets™                         | 17. Logoplade                   | 31. Rammeben                         |
| 4. Kulrist                               | 18. Redskabsholdere             | 32. CharBin™ Hardware                |
| 5. One-Touch™ Rengøringsystem            | 19. Digital Stegetimer          | 33. CharBin™                         |
| 6. Modul for lågholder & nederste holder | 20. Dæksel til gasstyring       | 34. Styrehjul                        |
| 7. Askebakkering                         | 21. Tændingsknap/Tændingssystem | 35. Styrehjulsindsatser              |
| 8. Askebakkehåndtag                      | 22. Modul for låghåndtag        | 36. Klemmer til benrammebeslag       |
| 9. Rummelig askebakke                    | 23. Modul for lågspjæld         | 37. Bundhylde                        |
| 10. Aksel                                | 24. Termometerenhed             | 38. Tændstikholder                   |
| 11. Benrammebeslag                       | 25. Kugle                       | 39. Kulbeholder                      |
| 12. Wire til tænder                      | 26. Bord                        | 40. Engangsdrypbakke                 |
| 13. Hjul                                 | 27. CharBin™ holderkæde         |                                      |
| 14. Navdæksel                            | 28. Brænderenhed                |                                      |

## KAN INDEHOLDE:

41. Searrist med hængslet grillrist

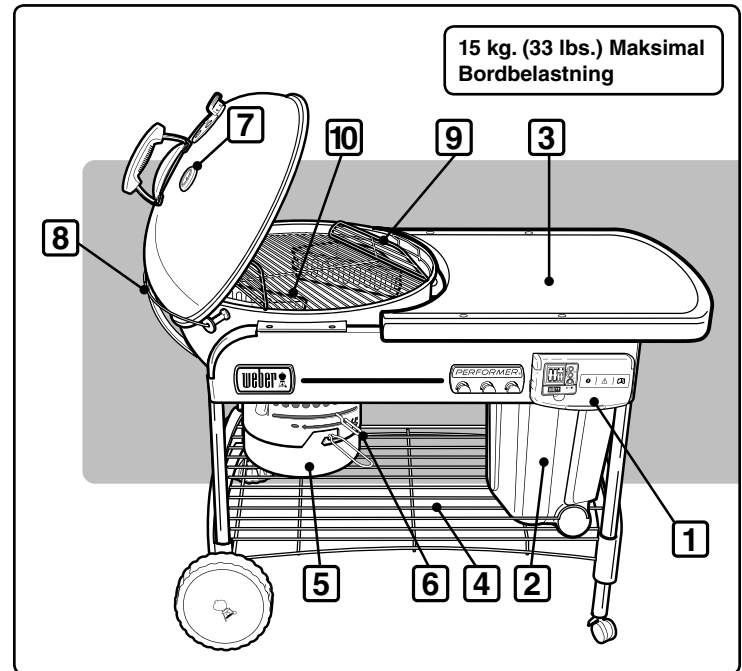
Hvis du har spørgsmål eller får brug for råd om din grill og sikker betjening af den, bedes du gå ind på [www.weber.com](http://www.weber.com).

- Disse vejledninger indeholder minimumskravene for samling af din Weber® grill. Læs omhyggeligt brugervejledningen, inden du bruger din Weber® grill. Samles den forkert, kan det være farligt.
- Må ikke anvendes af børn.
- Denne Weber® grill er kun beregnet til at blive brugt sammen med propan/butan-gasblanding. Der må ikke bruges naturgas. Ventilen og regulatoren er kun beregnet til propangas eller propan/butan-gasblanding.
- Denne Weber® gasgrill er ikke beregnet til erhvervsmæssig brug.

- Brug af alkohol og/eller håndkøbs- eller receptmedicin kan forringe brugerens evne til at foretage korrekt samling eller sikker betjening af udstyret.
- Denne Weber® grill er ikke beregnet til og må aldrig bruges til opvarmning.
- Efterlad ikke din Weber® grill uden opsyn. Hold altid børn og kæledyr væk fra Weber® grillen.
- Kontroller, at der ikke er snavs i området under kontrolpanelet og bundbakken, som eventuelt kan blokere for forbrændingen eller ventilationsluften.
- De dele, som producenten har forseglet, må ikke ændres af brugeren.
- Enhver ændring af apparatet kan være farlig.

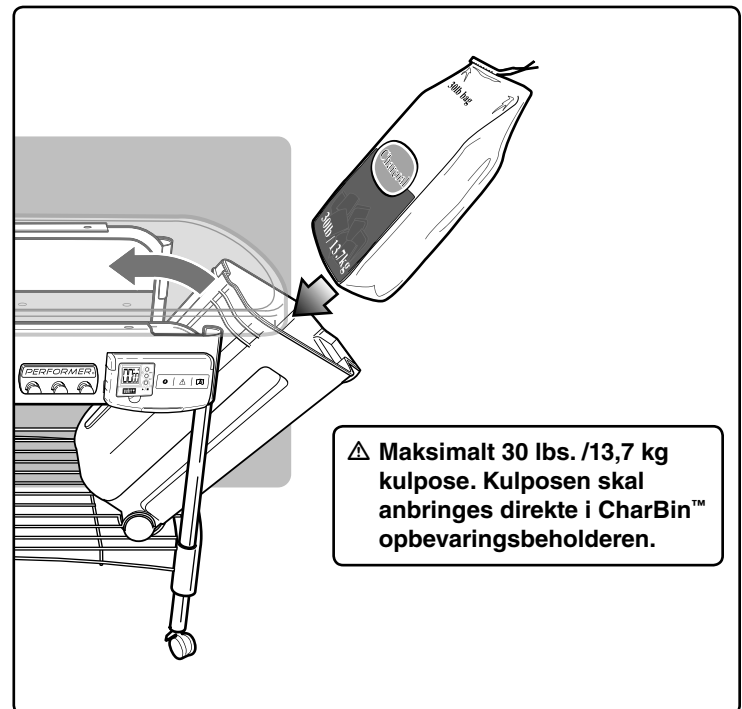
## FINESSE

- Eksklusivt Touch-N-Go™ gastændingssystem fjerner problemerne ved optænding af kulbriketter (1). Tryk blot på knappen, og hold den nede, og systemets gasbrænder tænder og starter grillkullene for dig. Ingen farlige tændingsvæsker, der skal anvendes og opbevares, og ikke mere afsmag fra tændvæske.
- CharBin™ opbevaringsbeholder rummer en pose kul med maksimalt 30 lbs./13,7 kg (2). Kulposen skal anbringes direkte i CharBin™ opbevaringsbeholderen.
- Termohærdet flade tjener som et dejligt arbejdsområde, og dækker CharBin™ opbevaringsbeholderen, så briketterne holdes tørre (3).
- Praktisk bundhylde til opbevaring (4).
- Rummelig askeskuffe låses på plads, fjerner flyvende aske (5).
- One-Touch® rensessystem fejer let asken ud, eller åbner og lukker luftspjældene (6).
- Termometeret overvåger tilberedningstemperaturen inde i grillen (7).
- Tuck-Away™ låg skubbes tilbage i en lågholder af rustfrit stål og fungerer som læskærm, når briketterne optændes (8).
- Hængslet adgangsklapper kan åbnes i stegeristen for let at tilføje briketter eller træflis under tilberedningen (9).
- Char-Basket™ kulbakker muliggør fleksibilitet for praktisk indirekte og koncentreret direkte tilberedning med træ eller kul (10).



## BRUGSOMRÅDE

- ⚠ **ADVARSEL:** Denne grill må kun anvendes udendørs på et sted med god ventilation. Må ikke anvendes i en garage, bygning, skur eller andet indelukket område.
- ⚠ **ADVARSEL:** Tilbehørsdele kan være meget varme. Hold mindre børn på afstand.
- ⚠ Brug aldrig grillen under nogen form for overbygning, der kan antændes.
- ⚠ Denne Weber® grill må ikke installeres i eller på campingvogne og/eller både.
- ⚠ Brændbare materialer må ikke anvendes 60 cm fra grillens top, bund eller sider.
- ⚠ Hele grillen bliver varm, når den er i brug. Efterlad den ikke uden opsyn.
- ⚠ Hold alle el-ledninger og brændstofslinger væk fra enhver opvarmet overflade.
- ⚠ Sørg for at holde alle brandfarlige dampe og væsker, f.eks. benzin, sprit/alkohol og andre antændelige materialer, langt væk fra grillområdet.
- ⚠ Flyt ikke grillen under brug. Lad grillen køle af, inden den flyttes.
- ⚠ Denne grill er ikke beregnet til og må ikke bruges til opvarmning.



### TILSLUTNING AF ENGANGS PROPANGASFLASKE

Brug engangs propangasflasker, der mindst rummer 430 g og maksimalt 460 g. Flasken skal have en EN417-ventil, som vist. En flasketype, der kan anvendes, er en Primus model 2202 eller en Weber Q Gas engangsflaske.

**⚠ ADVARSEL: Brug kun flasker mærket propanbrændsel eller propan-butan-blanding.**

Skub engangs propangasflasken ind i regulatoren, og drej med uret, indtil den er strammet fast.

**⚠ ADVARSEL: Stram kun til med hånden. Hvis der bruges for stor styrke, kan det skade regulatorkoblingen, hvilket kan medføre gasudsivning eller mangel på gasgennemstrømning.**

### KONTROLLER, OM DER ER GASUDSIVNING:

#### ⚠ FARE

Brug ikke åben ild til at kontrollere, om der er udsivning af gas. Sørg for, at der ikke er gnister eller åben ild i nærheden, mens det kontrolleres, om der er gasudsivning. Gnister eller flammer kan medføre brand eller eksplosion, som kan medføre alvorlig kvæstelser eller død, samt materiel skade.

Du har brug for følgende: Engangs propangasflaske, sæbevand og en klud eller børste til påføring.

- Bland sæbe og vand.
- Indstil gasstyringen på TIL ved at dreje mod uret.
- Kontroller, om der er udsivning ved at væde tilslutningen med sæbevand, og se, om der opstår bobler. Dannes der bobler, eller vokser en boble, så er der en lækage.

#### KONTROLLER:

- Forbindelsen regulator-til-engangs propangasflaske.

**⚠ ADVARSEL: Hvis der er udsivning ved tilslutning (1), skal propangasflasken tages af. Betjen ikke grillen. Brug en anden engangs propangasflaske, og kontroller igen, om der er udsivning, ved hjælp af sæbevandet. Lækker det stadig, efter at propangasflaskens tilslutning igen er strammet til, skal du slukke for gassen. **BETJEN IKKE GRILLEN.** Kontakt kundeservicerepræsentanten i dit område ved brug af kontaktoplysningerne på vores webadresse. Gå ind på [www.weber.com](http://www.weber.com).**

#### KONTROLLER:

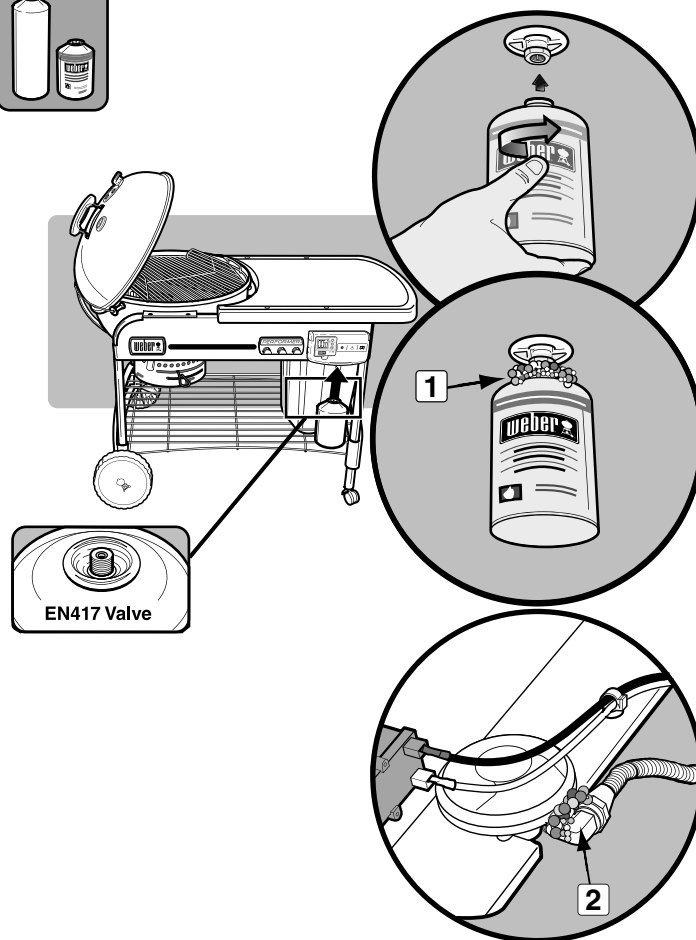
- Tilslutninger mellem ventil-og-regulator.

**⚠ ADVARSEL: Hvis der er udsivning ved tilslutning (2), så slå gassen FRA. **BETJEN IKKE GRILLEN.** Kontakt kundeservicerepræsentanten i dit område ved brug af kontaktoplysningerne på vort websted. Se mere på [www.weber.com](http://www.weber.com).**

Når lækagekontrollerne er færdige, så luk for gassen (FRA) ved kilden, og skyl tilslutningerne med vand.

#### ⚠ FARE

Opbevar ikke en ekstra propanflaske under eller i nærheden af udstyret.



## OPTÆNDING

## ⚠ FARE

Åbn låget før optænding. Brug aldrig brandbare væsker såsom tændvæske, benzin, sprit/alkohol eller nogen form for selvantændelige kul, heller ikke når du tænder op manuelt. Hvis du gør det, kan det medføre alvorlige kvæstelser eller død.

A) Tag grillens låg af, før gasfunktionen betjenes.

⚠ **FARE:** Hvis ikke dette gøres, kan der opstå en gassamling, der kan medføre brand eller eksplosion, hvilket kan forårsage alvorlige kvæstelser eller død samt materielle skader.

B) Åbn spjældene i bunden af kuglen (1).

C) Anbring Char-Baskets™ over brænderen (2).

D) Skub tapperne ind på gasstyringsdækslet (3), og løft det for at åbne.

E) Tænd for gasforsyningen ved at dreje gasstyringen (4) mindst en hel omgang med uret.

⚠ **ADVARSEL:** Læn dig aldrig ind over den åbne grill, mens den antændes.

F) Tryk på tændingsknappen, og hold den inde, indtil brænderen antændes (5).

⚠ **FORSIGTIG:** Det kan være svært at se flammen i dagslys.

G) Efter at kullene er antændt (ca. 5 minutter), drejes gasstyringen mod (OFF) (med uret), indtil gassen slukker.

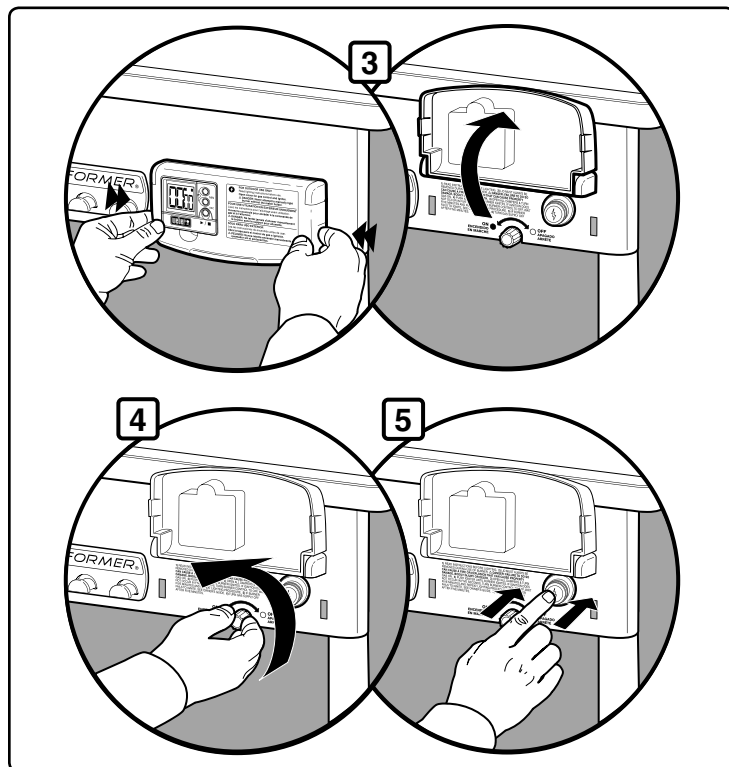
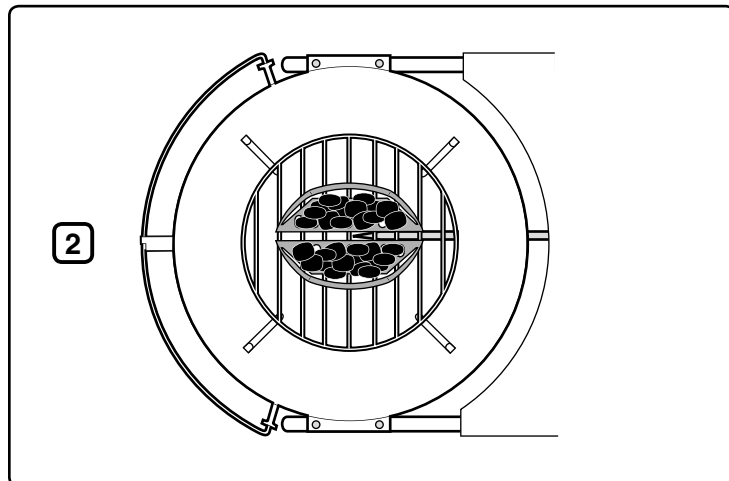
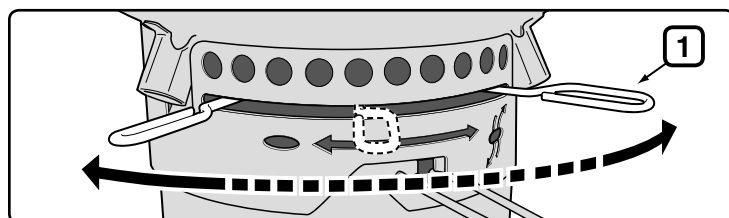
⚠ **FORSIGTIG:** Kontroller, at dækslet er helt lukket.

Bemærk - Forlænget brug af flasken, formindsker flaskens levetid.

H) Du kan begynde grillningen, når briketterne har et tyndt lag grå aske (cirka 25-30 minutter).

## SÅDAN SLUKKES

Drej gasreguleringsknappen mod OFF (med uret), indtil den er lukket.



## MANUEL OPTÆNDING

⚠ **ADVARSEL:** Forsøg ikke at tænde manuelt, uden brug af tændstikholderen.

⚠ **FARE**

Åbn låget før optænding. Brug aldrig brandbare væsker, såsom tændvæske, benzin, alkohol/sprit eller nogen form for selvantændelige kul, heller ikke når du tænder op manuelt. Hvis du gør det, kan det medføre alvorlige kvæstelser eller død.

A) Tag grillens låg af, før gasfunktionen betjenes.

⚠ **FARE:** Hvis ikke dette gøres, kan der opstå en gassamling, der kan medføre brand eller eksplosion, hvilket kan forårsage alvorlige kvæstelser eller død samt materielle skader.

B) Åbn spjældene i bunden af kuglen (1).

C) Flyt Char-Baskets™ væk fra brænderen (2).

D) Skub tapperne ind på gasstyringens dækslet (3), og løft det for at åbne.

E) Sæt en tændstik i tændstikholderen (4). Tænd tændstikken.

F) Drej på gasforsyningen (mod uret) mindst et hel omgang (5).

G) Placer tændstikflammen bag ved brænderåbningen (6).

⚠ **ADVARSEL:** Hold ikke hånden direkte over brænderen, når der tændes manuelt.

⚠ **ADVARSEL:** Læn dig aldrig ind over den åbne grill, mens den antændes.

⚠ **FORSIGTIG:** Det kan være svært at se flammen i dagslys.

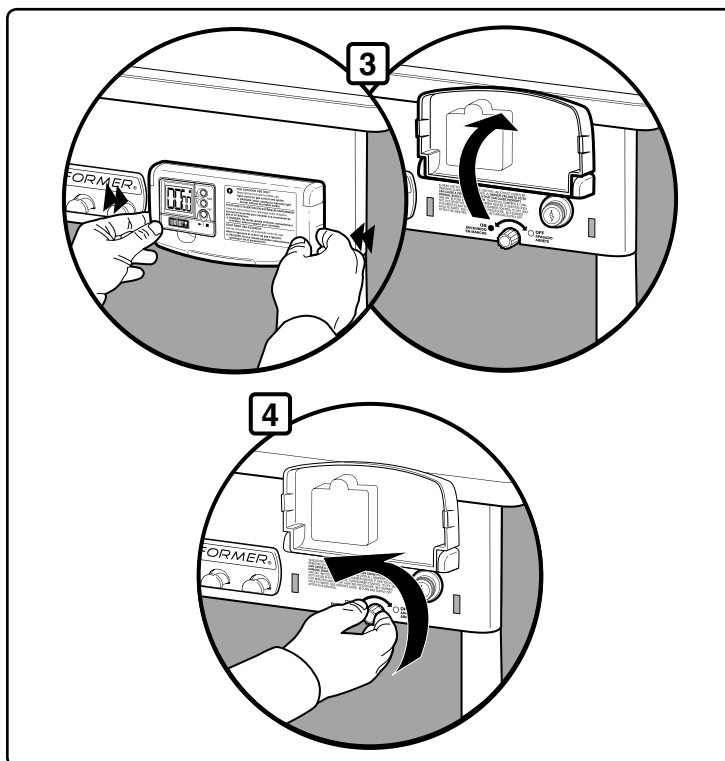
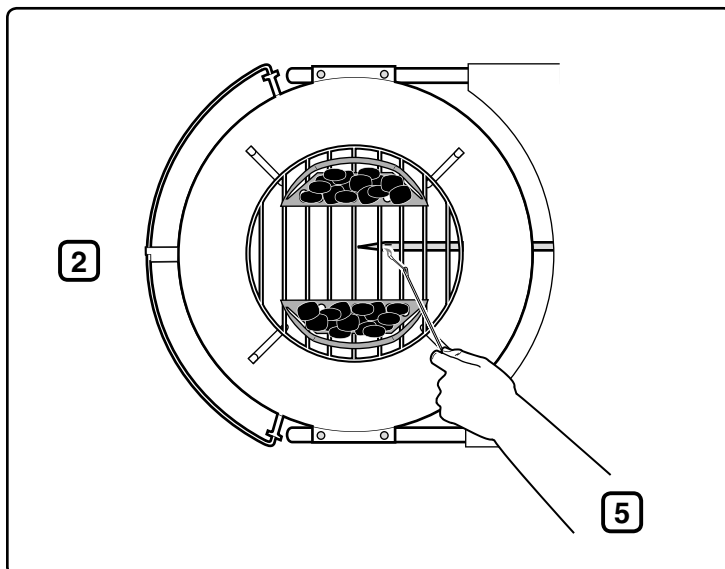
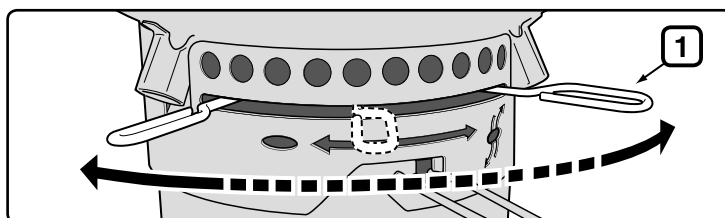
H) Bær grillhandsker, og brug tænger til at flytte Char-Baskets™ over brænderen.

I) Efter at kullene er antændt, drejes på gasstyringen (OFF) (med uret), indtil gassen slukker.

J) Du kan begynde grillningen, når briketterne har et tyndt lag grå aske (cirka 25-30 minutter).

## SÅDAN SLUKKES

Drej gasreguleringsknappen mod OFF (med uret), indtil den er lukket.



## BETJENING AF TIMER

Denne vandtætte digitale stegetimer har funktion for både optælling og nedtælling i minutter og sekunder.


### Sådan indstilles tiden, der skal nedtælles:

- Tryk på tasten **MIN (1)** for at indstille tallene for minutter. Hold knappen nede for at gå hurtigt frem i tallene (maksimal indstilling: 99 minutter **(4)**).
- Tryk på tasten **SEC (2)** for at indstille tallene for sekunder. Hold knappen nede for at gå hurtigt frem i tallene (maksimal indstilling: 59 sekunder **(5)**).
- Tryk på **Start/Stop: ► / ■** knap **(3)**.
- Når den ønskede tid er gået, udsendes en lydalarm i 30 sekunder, og nedtælling starter automatisk forfra fra forrige tidsindstilling.

### Sådan indstilles tiden, der skal tælles op til:

- Tryk på **Start/Stop: ► / ■** knap. Mens der tælles op, viser displayet minutter/sekunder.
- Tryk på knappen igen for at stoppe timeren. (Maksimal indstilling: 99 minutter **(4)**, 59 sekunder **(5)**).

### Sådan slettes tiden:

- Tryk både **MIN** og **SEC** ind:  knapperne samtidigt **(1)(2)**.

*Bemærk: Hvis timeren anvendes i omgivelser, der udsætter den for statisk elektricitet, kan tidsindstillingen gå tabt. Hvis det sker, skal du nulstille timeren og indtaste tidsindstillingen igen.*

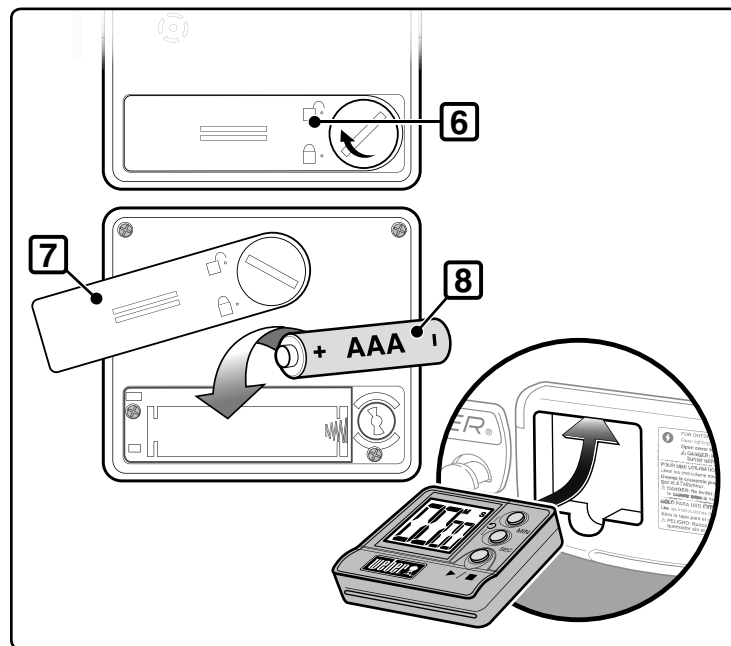
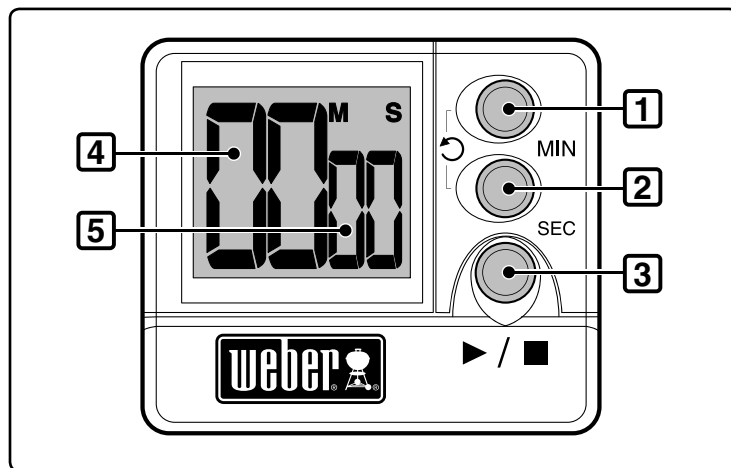
### Ilægning af batteri:

- Åbn batterirummet bag på timeren **(6)** ved at dreje låsen med uret.
- Tag batteridækslet af på bagsiden af timeren **(7)**.
- Udskift AAA-batteriet **(8)**.
- Sæt batteridækslet på plads igen.
- Lås batteridækslet ved at dreje låsen mod uret.
- Efter at batteriet er ilagt, vises **(0000)** på LCD-skærmen.

### Vedligeholdelse:

- Enheden må ikke rengøres med slibende eller rustfremkaldende midler, som kan ridse enhedens dele og fremkalde rust i det elektroniske kredsløb.
- Udsæt ikke enheden for stor styrke, slag, støv, høj temperatur eller fugtighed, som kan medføre at enheden ikke fungerer korrekt, afkorte dens elektroniske levetid, skade batteriet og deformere dele.
- Åbn ikke for enhedens indre dele. Det vil ophæve enhedens garanti og kan medføre unødvendig skade på batteriet og de indre dele.
- Udsæt ikke enheden for stærkt direkte sollys eller kraftig regn.
- Neddyb ikke enheden i vand.

**For at få den bedste ydelse af den digitale timer anbefales det at tage den indendørs, når den ikke bruges.**



PROBLEM	KONTROLLER	AFHJÆLPNING
Brænderne brænder med gul eller orange flamme, samtidig med at der er gaslugt.	Efterse brænderen for mulig tilstopning.	Rengør brænder. (Se afsnittet "Vedligeholdelse")
Brænderen tænder ikke, eller flammen er lav.	Er der meget lidt eller ingen flydende propangas tilbage?	Udskift propangasflasken.
	Er brændstovslangen bøjet eller med knæk?	Ret slangen ud.
	Kan brænderen tændes med en tændstik?	Hvis brænderen tændes med en tændstik, så kontroller antændingssystemet.
	Er slangen til brænderrørets tilslutning korrekt fastgjort?	Forbind gasslangen til brænderrøret ved brug af den medfølgende metalholderklips. <b>⚠ FARE: Brug ikke gastændingssystemet, hvis holderklipsen mangler. En manglende holderklips kan forårsage alvorlige kvæstelser eller død og materiel skade.</b> Kontakt kundeservice for en reserve holderklips.
Brænderflammen er ustabil.	Er brænderen ren?	Rengør brænder. (Se afsnittet "Vedligeholdelse")
Brænder tænder ikke, når du trykker på tændingsknappen.	Vær sikker på, at gassen strømmer ud til brænderne ved at prøve at tænde brænderne med en tændstik. Læs "MANUEL TÆNDING."	Hvis du kan tænde med et tændstik, ligger problemet i tændingssystemet. Læs "BETJENING AF ELEKTRONISK TÆNDINGSSYSTEM."
	Er der installeret et nyt batteri?	Kontrollér, at batteriet er i god stand og korrekt installeret. Læs "EFTERSYN AF ELEKTRONISK GNISTTÆNDER."
	Er ledningerne korrekt tilsluttet til tændingsmodulet?	Se efter, at ledningerne er stukket korrekt ind i terminalerne på tændingsboksen. Læs "BETJENING AF ELEKTRONISK TÆNDINGSSYSTEM."
	Er der plastikfilm omkring batterierne?	Fjern plastikfilmen.
Timeren virker ikke.	Er der installeret et nyt batteri?	Kontrollér, at batteriet er i god stand og korrekt installeret. Læs "BETJENING AF TIMER."
Lågets inderside ser ud, som om den "skaller af". (Ligner afskallet maling.)	Det, som du kan se, er brændt fedt, der er forkullet, og som skaller af. <b>DET ER IKKE EN FEJL.</b>	Rengør grundigt. (Se afsnit: "Rengøring")
Hvis problemet ikke kan løses som anvist, skal du kontakte din lokale kundeservicerepræsentant ved at følge kontaktoplysningerne på vores websted. Besøg <a href="http://www.weber.com">www.weber.com</a> .		

## VEDLIGEHOLDELSE

Efter en periode, hvor grillen ikke har været brugt, anbefaler vi, at du foretager følgende vedligeholdelse af hensyn til din sikkerhed.

- Før hver anvendelse af grillen, skal det kontrolleres, om der er ridser, revner, afskrabninger eller snit på slangen. Grillen må ikke benyttes, hvis slangen er beskadiget på nogen udgørende måde. Udskift kun med en godkendt Weber® udsiftningsslange. **Kontakt kundeservicerepræsentanten i dit område ved brug af kontaktoplysningerne på vor webadresse.**  
Se mere på [www.weber.com](http://www.weber.com)®.

**⚠ FORSIGTIG: Hvis grillens gasslange er beskadiget på nogen måde eller lækker, skal du ikke bruge grillen.**

- Undersøg brænderen for korrekt flammemønster (se afsnittet "Brænderens flammemønster"). Rengør, om nødvendigt, ved brug af procedurerne, der beskrives i dette afsnit.
- Kontroller alle gassamlinger for udsivning (se afsnittet "Kontrol af gaslækager").

## REGELMÆSSIG RENGØRING

For at fjerne aske fra kuglen skal du bevæge styrestangen (1) fra side til side, således at spjældbladene fejer asken ud gennem kuglens ventilationshuller og ind i askeskuffen.

**⚠ FORSIGTIG: Kontroller, at brænderen er slået fra, og at grillen er kold før rengøring.**

Lad være med at gøre brændeåbningerne større, når de renses.

**Sådan renses brænderen:**

- Børst brænderenslange (2) udvendigt og afsnittet med brænderåbningen (3) med en metalbørste.

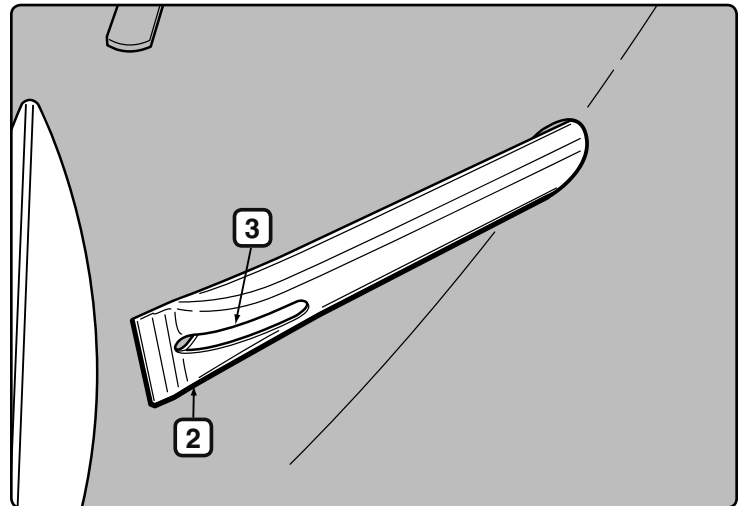
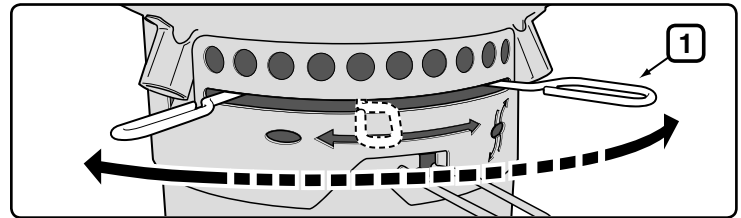
**⚠ FORSIGTIG: Gør ikke brænderåbningerne eller gashullet større under rensningen.**

**Sådan renses kuglen:**

- Mens låget er varmt, aftørres det indvendigt med en papirklud for at forhindre fedtansamlinger.
- På udvendige overflader bruges en varm sæbeopløsning, og skyl godt med rent vand.

**For en mere grundig rengøring** (udføres mindst én gang om året):

- Fjern aske, efter at kullene er helt udslukkede.
- Fjern risten og Char-Baskets™.
- Aftør med papirklude. Vask med vand og et mildt vaskemiddel. Skyl grundigt med rent vand, og aftør.



## OPBEVARING

- Når Performer grillen opbevares indendørs, skal gasforsyningen afmonteres, og propangasflasken skal opbevares udendørs på et velventileret sted.
- Propangasflasken skal opbevares udendørs på et velventileret sted uden for børns rækkevidde og må ikke opbevares i en bygning, garage eller andet lukket område.
- Efter en opbevaringsperiode og/eller en periode uden brug, skal grillen kontrolleres for gasudsivninger og tilstopning af brænderenslange før ibrugtagning (se afsnittet "Vedligeholdelse").
- Kontroller før brug, at området rundt om gasflasken, slangen og brændermodulet er fri for snavs, som kan tilstoppe gas- eller lufttilstrømning.



## INSEKTADVARSEL

Din Performer Grill kan som ethvert andet udstyr, der anvendes udendørs, blive udsat for edderkopper og insekter. De kan bygge rede i brænderslangens blandingskammer (1) og bevirke, at gassen strømmer tilbage ud af luftlemmen.

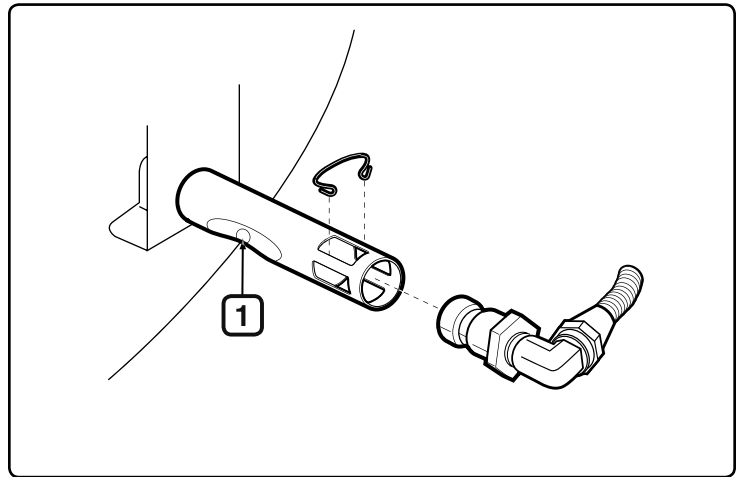
Dette kan resultere i brand i og omkring brænderslangen under kuglepanelet. Det kan forårsage alvorlig skade på din grill, og gøre den farlig at bruge.

Vi anbefaler stærkt, at du efterser og renser brænderslangen mindst én gang om året, eller hvis et af følgende symptomer opstår:

- A) Gaslugt i forbindelse med at brændeblammen virker gullig og slap.
- B) Brænderen laver små smældlyde.

**⚠ FARE**

**Hvis disse symptomer ikke rettes, så kan det medføre brand, der kan forårsage alvorlige kvæstelser eller materiel skade.**

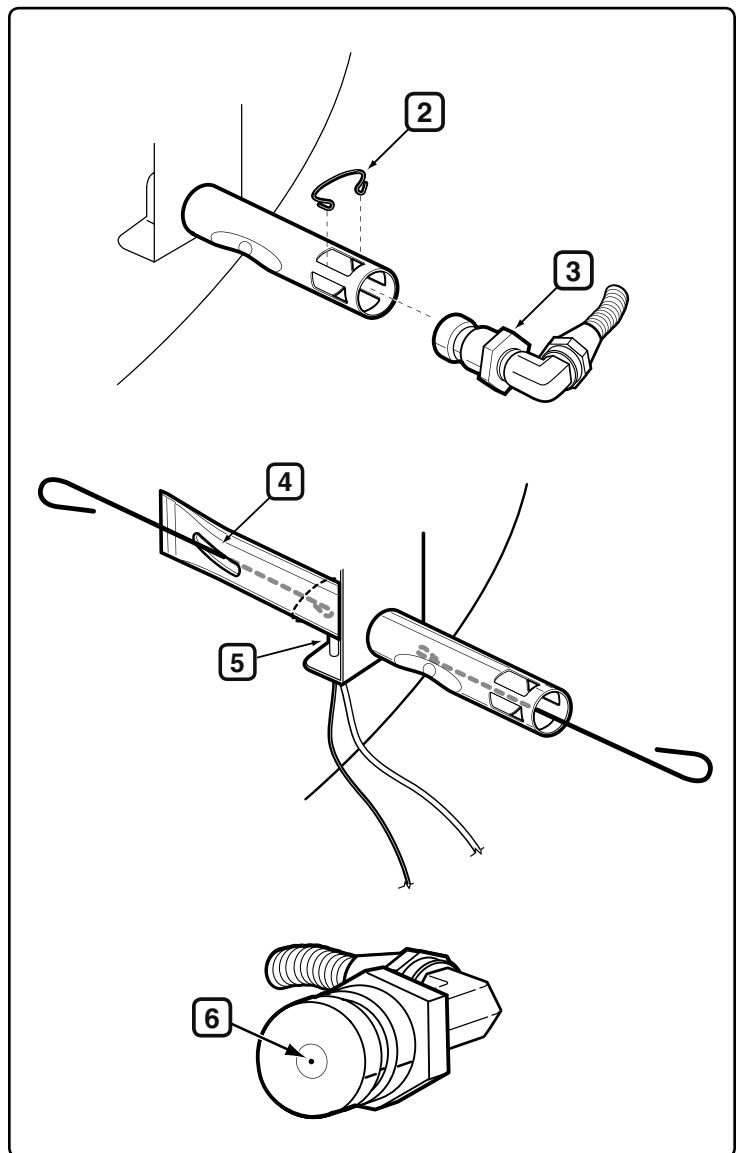


## EFTERSYN OG RENSNING AF BRÆNDEREN

- A) Sluk for gassen til grillen (OFF).
- B) Aftag CharBin™ opbevaringsbeholderen.
- C) Fjern hulklipsen (2) og slangesamlingen (3) fra brænderslangen.
- D) Kig ind i brænderen ved hjælp af en lygte.
- E) Rens brænderen indvendig med wire tændstikholderen (medfølger). Brug wiren til at rengøre området omkring luftlemmen, og brænderhullerne (4) indvendig i kuglen. Når du indsætter renserværktøjet i brænderen, skal du passe på ikke at beskadige tændingselektroden (5).
- F) Tjek igen med en lommelygte for at sikre dig, at der ikke er nogen tilstopninger.
- G) Hvis det er nødvendigt, kan overfladen af slangesamlingen renses med en metalbørste. Hullet (6) kan renses med en lille pind.

**⚠ FORSIGTIG: Lad være med at gøre hullet større, under rensningen.**

- H) Saml igen ved at gå i modsat rækkefølge af trinene B og C.

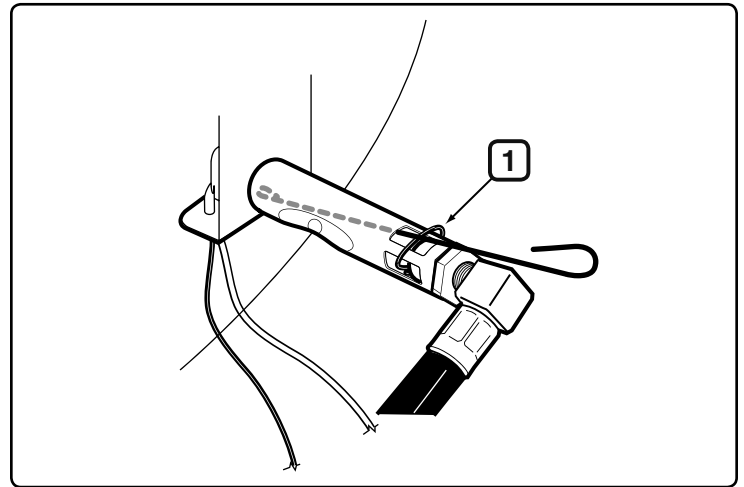


### REGELMÆSSIG LETTERE RENGØRING

Vi anbefaler, at du jævnligt børster brænderhullerne udvendig med en metalbørste og renser brænderrøret via forbrændingsluftventilationen med tændstikholderen, der medfølger.

Dette kan gøres ved at placere brænderens luftåbning til antænding (1) nede under kuglebeslaget og sætte redskabet ind gennem hver luftåbning til antænding, og dreje redskabet rundt. Når du indsætter tændstikholderen, skal du passe på ikke at beskadige tændingselektroden.

**⚠ FORSIGTIG: Det er vigtigt at udføre denne rengøringsprocedure oftere om foråret og sommeren.**



### EFTERSYN AF ELEKTRONISK TÆNDING

Hvis det elektroniske tændingssystem ikke tænder, kan du sikre dig, at der er gastilførsel ved at forsøge at tænde brænderne med tændstikker. Læs "MANUEL TÆNDING." Hvis du kan tænde med en tændstik, ligger problemet i det elektroniske tændingssystem.

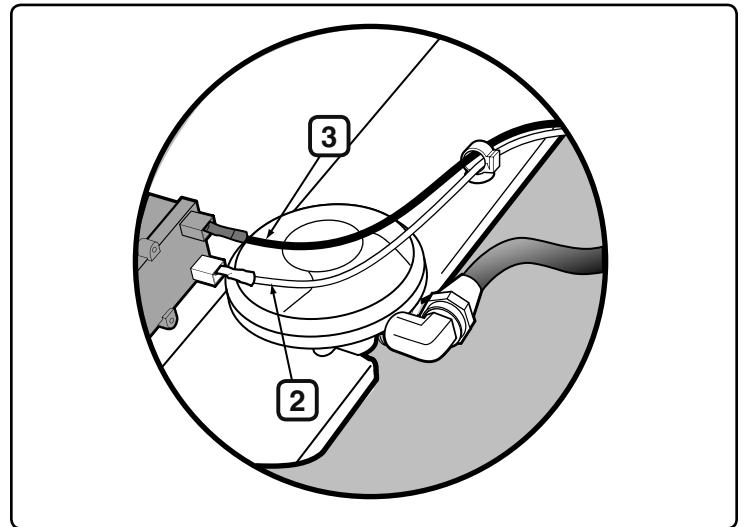
**⚠ ADVARSEL: Alle gasreguleringen og forsyningsventiler skal stå på positionen OFF.**

- Kontrollér, at AAA-batteriet (kun alkalisk) er i god stand og korrekt installeret (1). Nogle batterier er omviklet med en beskyttelsesfilm. Denne film skal fjernes. Forveksl ikke denne film med batterietiketten.
- Kontrollér, at både den hvide (2) og sorte (3) tændingswire er korrekt tilkoblet.
- Kontrollér, at den elektroniske tændingsknap fungerer ved at lytte og se efter gnister ved brænderen.
- Kontrollér, om tændingsknappen er løs i kanten. Stram om nødvendigt. Se trinnet "Installer" for oplysning om den rette fremgangsmåde.

### Udskift Batteriet, Hvis Det Er Påkrævet

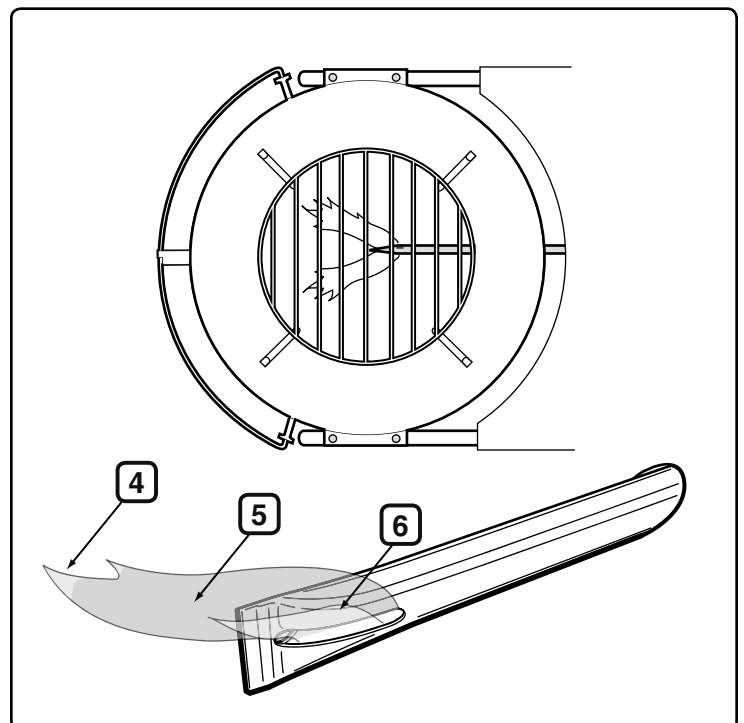
Kun AAA alkalisk batteri.

Virker det elektroniske tændingssystem stadigvæk ikke, kontaktes områdets kundeservicerepræsentant via kontaktoplysningerne på vores websted. Besøg [www.weber.com](http://www.weber.com).



### FLAMMEMØNSTER FOR BRÆNDER

Brænderen er indstillet af fabrikken i forhold til korrekt blanding af luft og gas. Det korrekte flammemønster skal have gullige spidser (4) være mørkeblå i midterpartiet (5), og lyseblå ved brænderrøret (6). Hvis flammerne ikke ser ud som vist, eller hvis der opstår "smældlyde", følges fremgangsmåde for rensning af brænderen.





Lined writing area consisting of multiple horizontal lines for text entry.

**⚠ VIGTIGT: Dette produkt er sikkerhedstestet og kun certificeret til brug i et bestemt land. Find landeangivelsen, som er anført uden på kassen.**

Disse komponentdele kan være gasførende eller gasafbrændende. Kontakt Weber-Stephen Products LLC kundeservice for oplysninger om originale reservedele til Weber-Stephen Products LLC.

**⚠ ADVARSEL: Forsøg ikke at på reparere gasførende eller gasbrændende dele uden at kontakte kundeservice hos Weber-Stephen Products LLC Overholder du ikke denne produktadvarsel, kan dine handlinger forårsage brand eller eksplosion, som medfører alvorlige person- og materielskader eller døden.**



Dette symbol viser, at produktet ikke må smides ud med husholdningsaffaldet. Vær venlig at besøge [www.weber.com](http://www.weber.com)<sup>®</sup> og kontakt den importør, der er anført for dit land for at få vejledning i, hvordan dette produkt bortskaffes på korrekt vis i Europa. Har du ikke adgang til internettet, kontaktes forhandleren for at få importørens navn, adresse og telefonnummer.

Når det beslutes, at grillen skal bortskaffes eller kasseres, skal alle de elektriske komponenter (f.eks. grillbændermotor, batterier, tændingsmodul, håndtagslys) tages af og bortskaffes korrekt i henhold til WEEE. De skal bortskaffes særskilt fra grillen.



WEBER-STEPHEN PRODUCTS LLC  
[www.weber.com](http://www.weber.com)<sup>®</sup>



# PERFORMER® DELUXE

Guía del propietario de la barbacoa de carbón

Montaje - p. 5

#54785



**LEA ATENTAMENTE ESTA GUÍA DEL PROPIETARIO ANTES DE UTILIZAR SU BARBACOA DE GAS**

## ⚠ PELIGRO

Si huele a gas:

1. Corte el suministro de gas del aparato.
2. Apague las llamas abiertas.
3. Abra la tapa.
4. Si el olor persiste, manténgase alejado del aparato y llame inmediatamente a la compañía de gas o a los bomberos.

Los escapes de gas pueden provocar incendios o explosiones que pueden causar graves daños personales y materiales, e incluso víctimas mortales.

⚠ **ADVERTENCIA:** Siga cuidadosamente todos los procedimientos de comprobación de escapes de este manual antes de poner en funcionamiento la barbacoa. Hágalo incluso aunque la barbacoa haya sido montada por el proveedor.

## ⚠ ADVERTENCIAS:

1. No almacene ni utilice gasolina ni vapores o líquidos inflamables cerca de este o de cualquier otro aparato.
2. No almacene bombonas de gas no conectadas para su uso cerca de este o de cualquier otro aparato.

⚠ **ADVERTENCIA:** No intente encender la barbacoa de gas Weber® sin leer primero las instrucciones de “encendido” de este manual.

**INFORMACIÓN PARA EL INSTALADOR:**  
Este manual debe quedar en poder del propietario, que debe conservarlo para usos futuros.

**SÓLO SE DEBE UTILIZAR AL AIRE LIBRE.**

**NO SEGUIR ESTAS AVISOS DE PELIGRO, ADVERTENCIAS Y PRECAUCIONES PUEDE PROVOCAR DAÑOS PERSONALES GRAVES O INCLUSO VÍCTIMAS MORTALES, ASÍ COMO UN INCENDIO O UNA EXPLOSIÓN CON LOS CONSIGUIENTES DAÑOS MATERIALES.**

- △ Los SÍMBOLOS DE SEGURIDAD ( △ ) le darán importante información para su SEGURIDAD.
- △ Las palabras PELIGRO, ADVERTENCIA y PRECAUCIÓN se utilizan junto con los SÍMBOLOS DE SEGURIDAD.
- △ PELIGRO indica los riesgos más graves.
- △ Lea atentamente toda la información de seguridad de esta Guía del propietario antes de utilizar la barbacoa.

#### △ PELIGROS

- △ No respetar los avisos de peligro, las advertencias y las precauciones incluidos en este Manual del propietario podría causar daños personales graves o víctimas mortales, así como incendios y explosiones que provocarían daños materiales.
- △ ¡No utilice la barbacoa en interiores! Esta barbacoa sólo puede usarse al aire libre. Si se utiliza en el interior de un edificio, se acumularán humos nocivos que pueden provocar intoxicaciones graves o incluso víctimas mortales.
- △ Utilice esta barbacoa sólo al aire libre y en un área bien ventilada. No la utilice en garajes, edificios, zonas de paso cubiertas ni en ninguna otra área cerrada.
- △ No utilice esta barbacoa bajo ninguna estructura elevada inflamable.
- △ Montar la barbacoa de manera incorrecta puede resultar peligroso. Siga las instrucciones de montaje de este manual. No utilice la barbacoa a menos que todas las piezas estén en su sitio. Asegúrese de que el recogedor de cenizas esté correctamente fijado a las patas que hay debajo del recipiente de la barbacoa o de que haya un recogedor de cenizas de gran capacidad instalado antes de encender la barbacoa.
- △ No añada líquidos de encendido para carbón ni carbón impregnado con líquido encendedor para calentar el carbón. Tras utilizarlo, tape el recipiente del líquido de encendido y colóquelo a una distancia segura de la barbacoa.
- △ No derrame gasolina, encendedores líquidos ni alcohol sobre el carbón vegetal en ningún momento. No utilice nunca ningún tipo de carbón vegetal autoinflamable.
- △ Deberá ir con cuidado cuando utilice la barbacoa. Recuerde que, mientras cocine, estará caliente, y que nunca debe dejarse desatendida mientras esté encendida.
- △ No deje bebés, niños o animales sin vigilancia cerca de una barbacoa caliente.
- △ No intente mover una barbacoa caliente.
- △ No utilice esta barbacoa a menos de metro y medio de distancia de cualquier material inflamable. Estas estructuras combustibles pueden ser terrazas, patios o porches de madera o madera tratada, entre otras.
- △ No debe haber nunca materiales combustibles a menos de 60 cm de la parte superior, trasera o lateral de la barbacoa.
- △ Mantenga el área de cocción libre de materiales combustibles y de vapor y líquidos inflamables, como gasolina, alcohol, etc.
- △ No quite las cenizas hasta que el carbón se haya quemado y apagado por completo y la barbacoa se haya enfriado.
- △ Coloque siempre el carbón en cestas Char-Basket™ o encima de la parrilla inferior (del carbón). No lo coloque directamente en la parte inferior del recipiente.
- △ No lleve ropa con mangas largas y sueltas cuando encienda o use la barbacoa.
- △ No se incline nunca sobre la barbacoa al encender el quemador de gas.
- △ No utilice la barbacoa en zonas con mucho viento.
- △ No ponga en funcionamiento la barbacoa si existe un escape de gas.
- △ No utilice una llama para comprobar si hay escapes de gas.
- △ Si el quemador se apaga mientras está utilizando la barbacoa, cierre la válvula de la bombona. Quite la tapa y espere cinco minutos antes de intentar encenderlo de nuevo, siguiendo las instrucciones de encendido detalladas en este Manual.
- △ No intente desconectar el regulador de gas desde la bombona o desde ningún accesorio para gas mientras se esté utilizando la barbacoa.
- △ Utilice únicamente el regulador de gas de baja presión que se proporciona con la barbacoa.

#### △ ADVERTENCIAS

- △ Siga las instrucciones sobre la conexión del regulador para el tipo de barbacoa de gas correspondiente.
- △ No almacene cartuchos de baja presión desechables de repuesto o desconectados bajo la barbacoa o cerca de ella.
- △ Mantenga la barbacoa alejada de materiales combustibles y en una superficie estable y plana en todo momento.
- △ No coloque la tapa de la barbacoa o ningún elemento inflamable encima o dentro del área de almacenamiento que hay debajo de la barbacoa.
- △ Retire siempre la tapa antes de encender el quemador de gas, ya sea manualmente o con un encendedor. La tapa debe permanecer retirada hasta que el carbón haya prendido fuego por completo.
- △ No toque nunca las parrillas de cocción o del carbón, las cenizas, el carbón ni la barbacoa para comprobar si están calientes.
- △ No utilice lava ni rocas carbonizadas con esta barbacoa.
- △ No utilice agua para controlar llamaradas o para apagar el carbón, dado que podría dañar el acabado de porcelana de la barbacoa. Cierre un poco las rejillas de ventilación (reguladores de tiro) inferiores y tape el recipiente.
- △ Apague el carbón cuando termine de cocinar. Cierre todas las rejillas de ventilación (reguladores de tiro) después de tapar el recipiente.
- △ Lleve siempre puestas manoplas específicas para barbacoas al cocinar, ajustar las rejillas de ventilación (reguladores de tiro), añadir carbón y utilizar el termómetro o la tapa.
- △ Utilice herramientas adecuadas para barbacoas, con asas largas y resistentes al calor.
- △ Algunos modelos incluyen el soporte para tapa Tuck-Away™. El soporte para tapa Tuck-Away™ le permite guardar la tapa mientras comprueba o de la vuelta la comida. No utilice el soporte para tapa Tuck-Away™ a modo de asa, para levantar o mover la barbacoa. No coloque la tapa encima de una alfombra o del césped cuando esté caliente. No cuelgue la tapa de la asa del recipiente.

- ⚠ **No tire nunca briquetas de carbón calientes allí donde puedan pisarlas o donde puedan constituir un peligro de incendio. No tire nunca cenizas o briquetas de carbón antes de que se hayan apagado por completo. No almacene la barbacoa hasta que las cenizas y las briquetas de carbón estén totalmente apagadas.**
- ⚠ **Manipule y almacene los encendedores eléctricos calientes con cuidado.**
- ⚠ **Mantenga los cables eléctricos alejados de las superficies calientes de la barbacoa y lejos de las zonas más transitadas.**
- ⚠ **Después de almacenar o no utilizar la barbacoa durante un tiempo, compruebe que no haya escapes de gas ni obstrucciones en el quemador antes de usarla. Consulte las instrucciones de este manual para ver los procedimientos correctos.**
- ⚠ **La conversión o el intento de uso de gas natural en esta barbacoa es peligroso y anulará la garantía.**
- ⚠ **Un cartucho desechable de baja presión abollado u oxidado puede ser peligroso y deberá ser revisado por el proveedor de propano líquido. No utilice cartuchos desechables de baja presión con una válvula dañada.**
- ⚠ **Aunque parezca que el cartucho desechable de baja presión esté vacío, es posible que siga conteniendo gas, por lo que se debe transportar y almacenar con cuidado.**
- ⚠ **Si ve, oye o huele gas que se escapa del cartucho desechable de baja presión:**
  1. **Aléjese del cartucho desechable de baja presión.**
  2. **No intente corregir el problema usted mismo.**
  3. **Llame a los bomberos.**

**⚠ PRECAUCIONES**

- ⚠ **Recubrir el recipiente de la barbacoa con papel de aluminio obstruiría la circulación del aire. Es por ello que, para recoger las gotas que caen de la carne al cocerla con el método indirecto, le recomendamos que utilice una bandeja recogedora de gotas.**
- ⚠ **El uso de objetos afilados para limpiar la parrilla de cocción o retirar cenizas dañará el acabado de la barbacoa.**
- ⚠ **El uso de productos de limpieza abrasivos para lavar la parrilla de cocción o la barbacoa dañará el acabado de la barbacoa.**
- ⚠ **La barbacoa debería limpiarse a fondo con regularidad.**

**GARANTÍA**

Weber-Stephen Products LLC (Weber®) garantiza por el presente documento al COMPRADOR ORIGINAL que esta barbacoa de gas Weber® estará libre de defectos, tanto materiales como de fabricación, desde la fecha de compra del modo siguiente:

<b>Parrillas de cocción y del carbón</b>	<b>2 años</b>
<b>Piezas laminadas/paletas aluminizadas del sistema de limpieza One-Touch™</b>	<b>5 años</b>
<b>Sistema de limpieza de acero inoxidable One-Touch™</b>	<b>10 años</b>
<b>Recipiente y tapa contra oxidación y perforación</b>	<b>10 años</b>
<b>Asas de nailon</b>	<b>10 años</b>
<b>Piezas termoplásticas y termoendurecibles (Performer®)</b>	<b>10 años</b>
	<b>(excluyendo decoloración)</b>
<b>Todas las demás piezas</b>	<b>2 años</b>

cuando se montan y ponen en marcha según las instrucciones impresas adjuntas. Weber puede solicitar una prueba razonable de la fecha de compra. **POR LO TANTO, DEBE CONSERVAR EL RECIBO O LA FACTURA DE COMPRA.**

Esta garantía se limita a la reparación o sustitución de las piezas que resulten defectuosas en unas condiciones de uso y mantenimiento normales, y que al examinarlas indiquen, a la satisfacción de Weber, que son defectuosas. Antes de devolver cualquier pieza, póngase en contacto con el representante del servicio al cliente de su zona mediante la información de contacto que se proporciona en el sitio web. Si Weber confirma el defecto y aprueba la reclamación, Weber decidirá sustituir las piezas sin cargo alguno. Si se le solicita que devuelva las piezas defectuosas, los gastos de transporte se deberán pagar previamente. Weber devolverá las piezas al comprador, con los gastos de transporte o de envío por correo previamente pagados.

Esta garantía limitada no cubre fallos ni problemas de funcionamiento debidos a accidente, abuso, uso incorrecto, alteración, aplicación indebida, vandalismo, instalación inadecuada, o mantenimiento o servicio inadecuados, o si no se realiza un mantenimiento normal y habitual, incluidos, pero sin limitarse a ellos, daños provocados por insectos dentro de los tubos de los quemadores, tal como se establece en este manual del propietario.

El deterioro o los daños debidos a condiciones meteorológicas rigurosas como granizo, huracanes, terremotos o tornados, la decoloración debida a la exposición a productos químicos, ya sea directamente o de la atmósfera, no están cubiertos por esta garantía limitada.

No existen otras garantías expresas excepto las aquí establecidas, y cualquier garantía aplicable implícita de comerciabilidad y adecuación está limitada al periodo de cobertura de esta garantía limitada escrita. En algunas regiones no está permitida la limitación de la duración de una garantía implícita, por lo que es posible que esta limitación no sea aplicable en su caso.

Weber no se hace responsable de ningún daño especial, indirecto o resultante. En algunas regiones no está permitida la exclusión o limitación de daños incidentales o resultantes, por lo que es posible que esta limitación o exclusión no sea aplicable en su caso.

Weber no autoriza a persona o empresa alguna a asumir por él ninguna otra obligación o responsabilidad relacionada con la venta, instalación, uso, retirada, devolución o sustitución de su equipo, y no existen declaraciones de este tipo que sean vinculantes para Weber.

Esta garantía se aplica sólo a productos de venta al público.

**Visite [www.weber.com](http://www.weber.com)®, elija su país de origen y registre su barbacoa.**

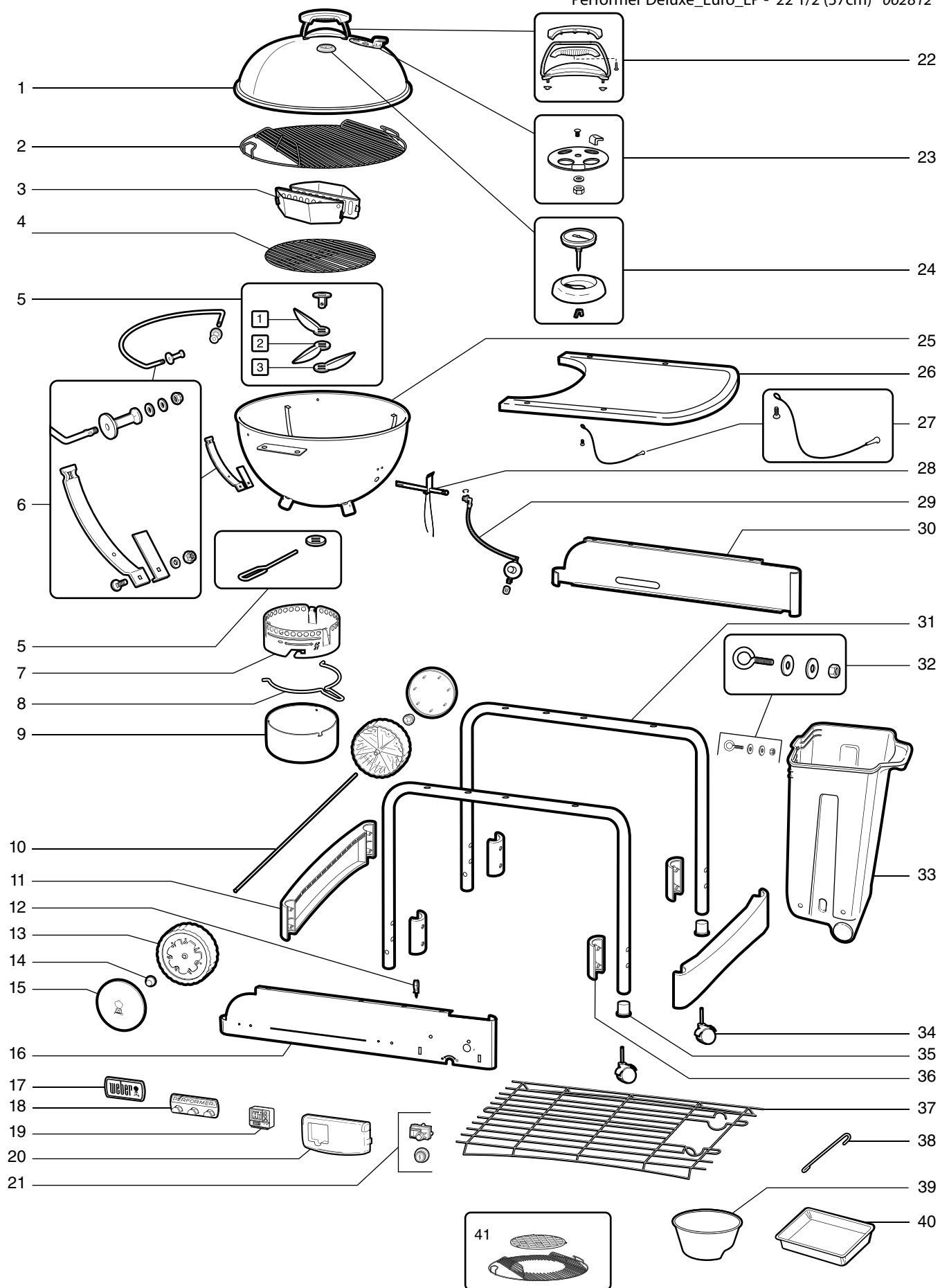
**SUSTITUCIÓN DE TUBO FLEXIBLE, REGULADOR Y VÁLVULA**

⚠ **AVISO IMPORTANTE: Recomendamos sustituir el tubo de conducción de gas en su barbacoa Weber cada 5 años. Algunos países pueden tener normativas en las que se tenga que sustituir el tubo de conducción de gas antes de los 5 años; por lo tanto este requisito tiene prioridad.**

**Para el recambio de válvula, regulador y tubo flexible, contacte con el Servicio de Atención al Cliente de su zona mediante nuestra página web en el apartado información de contacto. Consulte [www.weber.com](http://www.weber.com)®.**

PAÍS		TIPO DE GAS Y PRESIÓN
Dinamarca, Suecia, Noruega, Finlandia, Inglaterra, Países Bajos, Reino Unido, Francia, España, Portugal, Bélgica, Irlanda, Grecia, Luxemburgo, Italia, Alemania, Austria		I <sub>3B/P</sub> - 29 mbar
DATOS DE CONSUMO		
Quemador de encendido (máx.)		
Mezcla de propano y butano	<b>kW (Hs)</b>	<b>gm (Hs)</b>
	2,6	192

Performer Deluxe\_Euro\_LP - 22 1/2 (57cm) 062812





- |                                                       |                                              |                                                     |
|-------------------------------------------------------|----------------------------------------------|-----------------------------------------------------|
| 1. Tapa                                               | 15. Cubierta de rueda                        | 29. Tubo flexible y regulador con pinza de orificio |
| 2. Parrilla de cocción articulada                     | 16. Panel delantero                          | 30. Panel trasero                                   |
| 3. Char-Baskets™                                      | 17. Placa del logotipo                       | 31. Pata del marco                                  |
| 4. Parrilla de carbón                                 | 18. Soportes para utensilios                 | 32. Piezas metálicas de CharBin™                    |
| 5. Sistema de Limpieza One-Touch™                     | 19. Temporizador Digital de Cocción          | 33. CharBin™                                        |
| 6. Conjunto de sujeción inferior y soporte de la tapa | 20. Tapa del control del gas                 | 34. Ruedas giratorias                               |
| 7. Anillo recogedor de cenizas                        | 21. Botón de Encendido / Módulo de Encendido | 35. Insertos de las ruedas                          |
| 8. Asa del recogedor de cenizas                       | 22. Conjunto de la asa de la tapa            | 36. Abrazadera del soporte del marco de las patas   |
| 9. Recogedor de cenizas de gran capacidad             | 23. Conjunto de regulador de tiro de tapa    | 37. Estantería inferior                             |
| 10. Eje                                               | 24. Conjunto de termómetro                   | 38. Soporte para Cerillas                           |
| 11. Soporte del marco de las patas                    | 25. Recipiente                               | 39. Dosificador para Carbón                         |
| 12. Tirante del encendedor                            | 26. Mesa                                     | 40. Bandeja desechable colectora de gotas           |
| 13. Rueda                                             | 27. Cadena de retención de CharBin™          |                                                     |
| 14. Tapacubos                                         | 28. Conjunto de quemadores                   |                                                     |

### PUEDA INCLUIR:

41. Parrilla para dorar con parrilla de cocción articulada

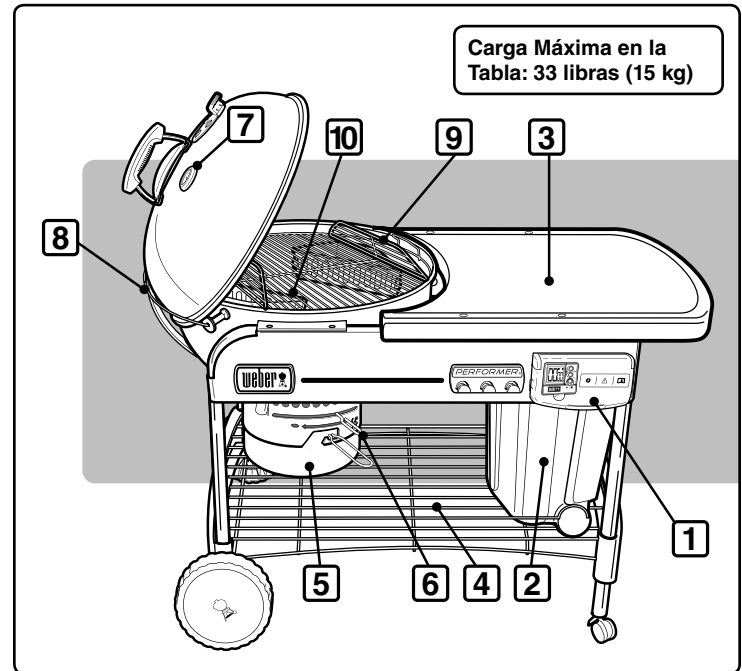
Si desea hacer alguna pregunta o necesita consejos sobre el asador o sobre cómo utilizarlo de manera segura, visite [www.weber.com](http://www.weber.com).

- Estas instrucciones le proporcionan los requisitos mínimos para el montaje de la barbacoa Weber®. Lea las instrucciones detenidamente antes de utilizar la barbacoa Weber®. Un montaje incorrecto puede resultar peligroso.
- Los niños no deberían utilizar esta barbacoa.
- Esta barbacoa Weber® ha sido diseñada para utilizarla sólo con propano o una mezcla de gas propano y butano. No la utilice con gas natural. La válvula y el regulador sólo son aptos para propano o una mezcla de gas propano y butano.
- Esta barbacoa de gas Weber® no debe utilizarse para fines comerciales.

## CARACTERÍSTICAS

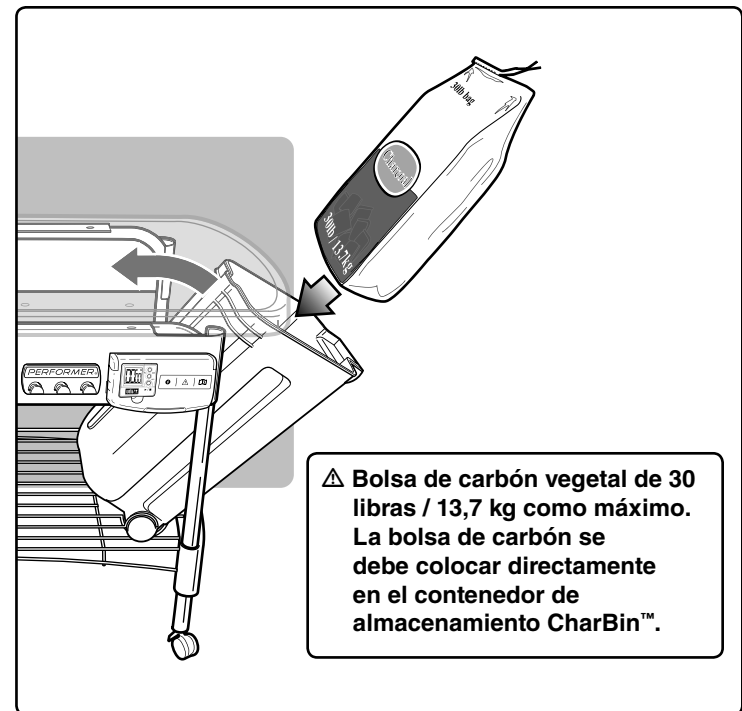
- A) El sistema de ignición de gas exclusivo Touch-N-Go™ elimina los problemas de encender las briquetas de carbón vegetal (1). Mantenga pulsado el botón y el quemador de gas del sistema se encenderá y prenderá el carbón sin que usted tenga que hacer ningún esfuerzo. No se necesita utilizar ni almacenar peligrosos encendedores líquidos y ya no notará el desagradable regusto a encendedor líquido.
- B) El contenedor de almacenamiento CharBin™ contiene una bolsa de carbón vegetal con un peso máximo de 30 libras / 13,7 kg (2). La bolsa de carbón se debe colocar directamente en el contenedor de almacenamiento CharBin™.
- C) La superficie de trabajo termoendurecible es ideal para manipular los alimentos y, además, cubre el contenedor de almacenamiento CharBin™ para mantener las briquetas secas (3).
- D) Práctica estantería inferior para almacenar utensilios, etc (4).
- E) El recogedor de cenizas de gran capacidad se bloquea en su sitio, lo que impide que vuelen las cenizas (5).
- F) El sistema de limpieza One-Touch® barre fácilmente las cenizas o abre y cierra las rejillas de ventilación (6).
- G) El termómetro controla la temperatura de cocción dentro de la barbacoa (7).
- H) La tapa Tuck-Away™ se desliza sobre el soporte de acero inoxidable y actúa como parabrisas cuando se encienden las briquetas (8).
- I) Las hojas de acceso articuladas de la parrilla de cocción permiten añadir fácilmente briquetas o astillas de madera mientras se cocina (9).
- J) Los soportes de combustible Char-Basket™ permiten una cómoda flexibilidad de cocción directa concentrada e indirecta con madera o carbón vegetal (10).

- El uso de alcohol o medicamentos, con o sin receta médica, puede afectar a la capacidad para montar correctamente la barbacoa o utilizarla de un modo seguro.
- Esta barbacoa Weber® no es un calentador y no se debe utilizar nunca con este fin.
- No deje la barbacoa Weber® desatendida. Mantenga a niños y mascotas alejados de la barbacoa Weber® en todo momento.
- Compruebe que el área que hay debajo del panel de control y la bandeja inferior estén libres de desechos que puedan obstruir el flujo de combustión o el aire de ventilación.
- El usuario no debe modificar ninguna pieza sellada por el fabricante.
- Cualquier modificación del aparato puede resultar peligrosa.



## ÁREA DE UTILIZACIÓN

- ⚠ **ADVERTENCIA:** Utilice esta barbacoa sólo al aire libre y en un área bien ventilada. No la utilice en garajes, edificios, zonas de paso cubiertas ni en ninguna otra área cerrada.
- ⚠ **ADVERTENCIA:** Las piezas accesibles de la barbacoa pueden estar muy calientes. Mantenga alejados a los niños pequeños.
- ⚠ No utilice esta barbacoa bajo ninguna estructura elevada inflamable.
- ⚠ Esta barbacoa Weber® no debería instalarse en embarcaciones o vehículos recreativos.
- ⚠ No utilice materiales combustibles a menos de 60 cm de la parte superior, trasera o lateral de la barbacoa.
- ⚠ Al ponerla en marcha, se calienta toda la barbacoa. No la deje sin vigilancia.
- ⚠ Mantenga cualquier cable de alimentación eléctrica y tubo flexible de suministro de combustible alejados de las superficies calientes.
- ⚠ Mantenga el área de cocción libre de vapores y líquidos inflamables, como gasolina, alcohol, etc., y materiales combustibles.
- ⚠ No mueva el aparato mientras lo utilice. Deje que la barbacoa se enfríe antes de moverla.
- ⚠ Este aparato no es un calentador y no se debe utilizar nunca con este fin.



**CONECTAR EL CARTUCHO DESECHABLE DE BAJA PRESIÓN**

Utilice cartuchos desechables de baja presión con una capacidad mínima de 430 g y una capacidad máxima de 460 g. Tal como se muestra en la ilustración, el cartucho debe tener una válvula EN417. Por ejemplo, puede utilizar un cartucho desechable de gas Primus modelo 2202 o Weber Q.

**⚠ PRECAUCIÓN: Utilice bombonas con la marca correspondiente a gas propano o la mezcla de propano y butano.**

Empuje el cartucho desechable de baja presión dentro del regulador y gírelo en el sentido de las agujas del reloj hasta que quede bien fijado.

**⚠ ADVERTENCIA: Apriételo sólo con la mano. Aplicar una fuerza excesiva podría dañar el acoplamiento del regulador y provocar escapes o hacer que el gas no fluya.**

**COMPRUEBE QUE NO HAYA ESCAPES DE GAS:**

**⚠ PELIGRO**

**No utilice una llama abierta para comprobar si hay escapes de gas. Asegúrese de que no haya chispas o llamas abiertas en el área mientras está comprobando si hay escapes. Las chispas y las llamas provocarían incendios o explosiones que pueden causar graves daños personales y materiales, e incluso víctimas mortales.**

Deberá tener: un cartucho desechable de baja presión, una solución de agua y jabón y un trapo o cepillo para aplicarla.

- A) Mezcle el agua y el jabón.
- B) Encienda el control del gas girándolo en el sentido contrario a las agujas del reloj.
- C) Compruebe que no haya escapes mojando el accesorio con la solución de agua y jabón y observando si hay pompas. Si se forman burbujas, o si crece una pompa, hay un escape.

**COMPRUEBE:**

- A) La conexión entre el regulador y el cartucho desechable de baja presión.

**⚠ ADVERTENCIA: Si hay un escape en la conexión (1), retire el cartucho desechable de baja presión. No ponga en funcionamiento la barbacoa. Utilice un cartucho desechable de baja presión distinto y compruebe de nuevo si hay escapes con la solución de agua y jabón. Si el escape persiste después de volver a ajustar el cartucho de baja presión, apague el gas. NO UTILICE LA BARBACOA. Póngase en contacto con el representante del servicio de atención al cliente de su zona mediante la información de contacto de nuestro sitio web. Visite [www.weber.com](http://www.weber.com)®.**

**COMPRUEBE:**

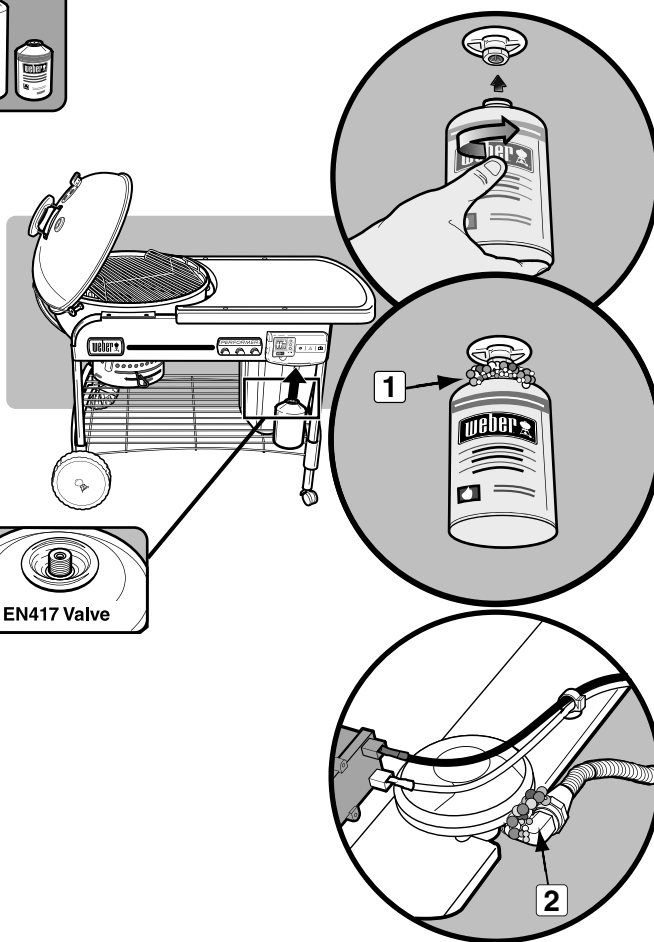
- B) Las conexiones entre la válvula y el regulador.

**⚠ ADVERTENCIA: Si hay un escape en la conexión (2), apague el gas. NO PONGA EN FUNCIONAMIENTO LA BARBACOA. Póngase en contacto con el representante del servicio de atención al cliente de su zona mediante la información de contacto de nuestro sitio web. Visite [www.weber.com](http://www.weber.com)®.**

Una vez finalizadas las comprobaciones de escapes, apague el suministro de gas en su origen y lave las conexiones con agua.

**⚠ PELIGRO**

**No almacene cartuchos de baja presión de repuesto debajo o cerca de este aparato.**



## ENCENDIDO

## ⚠ PELIGRO

Abra la tapa antes de encender la barbacoa. No utilice nunca líquidos inflamables como líquido de encendido, gasolina, alcohol o cualquier tipo de carbón vegetal autoinflamable, incluso cuando encienda la barbacoa manualmente. En caso contrario, podrían producirse graves daños personales o incluso víctimas mortales.

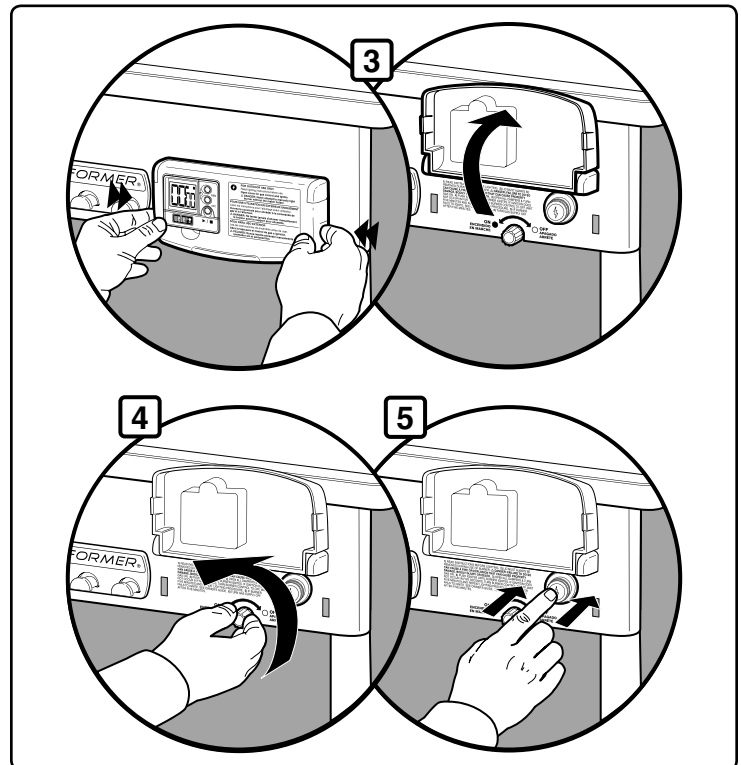
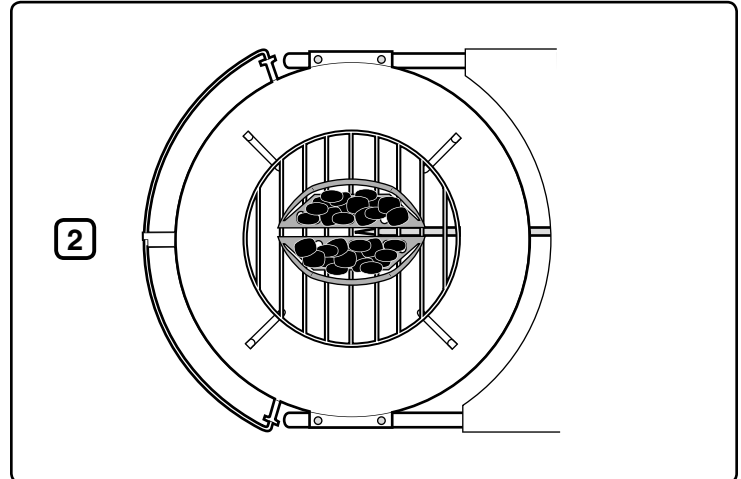
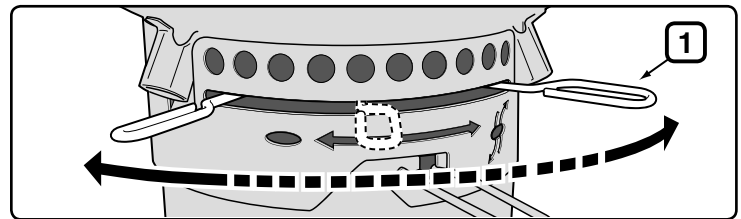
- A) Retire la tapa de la barbacoa antes de encender el gas.
- ⚠ **PELIGRO: No seguir esta advertencia puede causar daños en el tubo flexible y ocasionar incendios o explosiones que pueden provocar graves daños personales y materiales, e incluso víctimas mortales.**
- B) Abra los reguladores de tiro inferiores del recipiente.
- C) Coloque las Char-Baskets™ sobre el quemador (2).
- D) Presione las lengüetas de la tapa de control del gas (3) y levántela para abrirla.
- E) Abra el suministro de gas dando como mínimo una vuelta completa en el sentido contrario a las agujas del reloj (4).
- ⚠ **ADVERTENCIA: No se incline sobre la barbacoa cuando la abra para encenderla.**
- F) Pulse y mantenga pulsado el botón del encendedor hasta que el quemador se encienda (5).
- ⚠ **PRECAUCIÓN: Es posible que la llama no se vea bien en un día claro.**
- G) Después de que se haya encendido el carbón (pasados unos 5 minutos), gire el mando de control del gas en la posición OFF (apagado) (derecha) hasta que se cierre.
- ⚠ **PRECAUCIÓN: Asegúrese de que la tapa esté totalmente cerrada.**

*Nota: El uso prolongado de la bombona reduce su vida útil.*

- H) Puede comenzar a cocinar una vez que las briquetas tengan una ligera capa de ceniza gris (pasados unos 25-30 minutos).

## PARA APAGAR

Gire el mando de control del gas en la posición OFF (apagado) (izquierda) hasta que se cierre.



ENCENDIDO MANUAL

⚠ **ADVERTENCIA:** No intente encender el aparato manualmente sin utilizar el soporte para cerillas.

⚠ **PELIGRO**

Abra la tapa antes de encender la barbacoa. No utilice nunca líquidos inflamables como líquido de encendido, gasolina, alcohol o cualquier tipo de carbón vegetal autoinflamable, incluso cuando encienda la barbacoa manualmente. En caso contrario, podrían producirse graves daños personales o incluso víctimas mortales.

A) Retire la tapa de la barbacoa antes de encender el gas.

⚠ **PELIGRO:** No seguir esta advertencia puede causar daños en el tubo flexible y ocasionar incendios o explosiones que pueden provocar graves daños personales y materiales, e incluso víctimas mortales.

B) Abra los reguladores de tiro inferiores del recipiente (1).

C) Saque las Char-Baskets™ del quemador (2).

D) Presione las lengüetas de la tapa de control del gas (3) y levántela para abrirla.

E) Coloque una cerilla en el soporte para cerillas (4) y enciéndala.

F) Abra el suministro de gas dando como mínimo una vuelta completa en el sentido contrario a las agujas del reloj (5).

G) Coloque la llama de la cerilla en la parte posterior de la ranura del quemador (6).

⚠ **ADVERTENCIA:** No ponga la mano directamente encima del quemador durante el encendido manual.

⚠ **ADVERTENCIA:** No se incline sobre la barbacoa cuando la abra para encenderla.

⚠ **PRECAUCIÓN:** Es posible que la llama no se vea bien en un día claro.

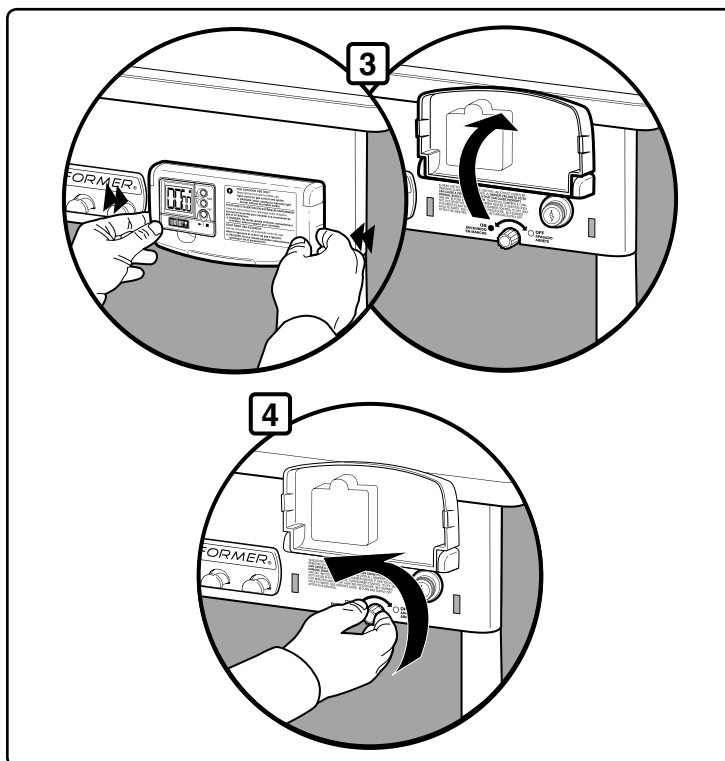
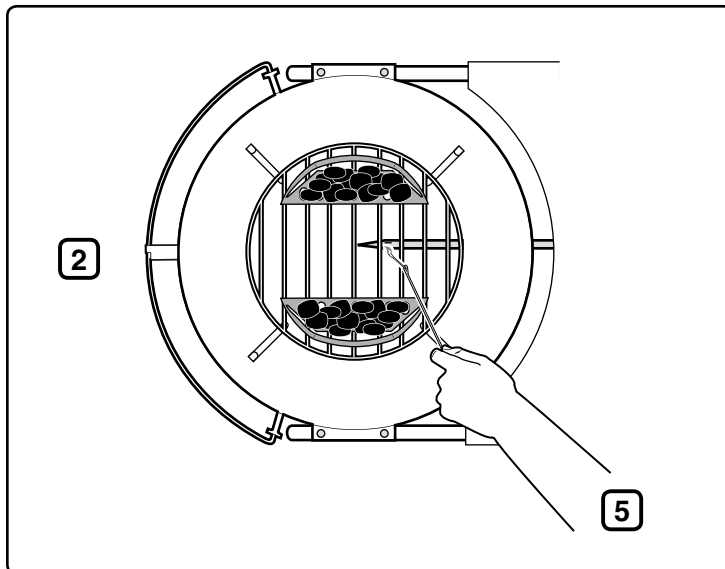
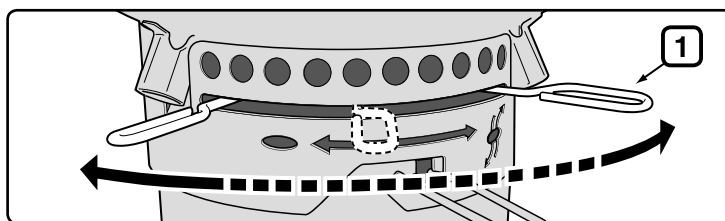
H) Póngase manoplas específicas para barbacoas y utilice unas tenazas para recolocar las Char-Baskets™ sobre el quemador.

I) Después de que se haya encendido el carbón (pasados unos 5 minutos), gire el control del gas (en el sentido de las agujas del reloj) hasta cerrarlo.

J) Puede comenzar a cocinar una vez que las briquetas tengan una ligera capa de ceniza gris (pasados unos 25-30 minutos).

**PARA APAGAR**

Gire el mando de control en la posición OFF (apagado) (derecha) hasta cerrarlo.



## FUNCIONAMIENTO DEL TEMPORIZADOR

Este temporizador digital de cocción resistente al agua proporciona una función de cuenta hacia delante y otra de cuenta hacia atrás en minutos y segundos.

### Para que el tiempo cuente hacia atrás:

- Pulse el botón **MIN** (1) para fijar los minutos. Mantenga el botón pulsado para que los dígitos avancen más deprisa (ajuste máximo: 99 minutos (4)).
- Pulse el botón **SEC** (2) para fijar los segundos. Mantenga el botón pulsado para que los dígitos avancen más deprisa (ajuste máximo: 59 segundos (5)).
- Pulse el botón de **Start / Stop** (inicio / parada): ► / ■ (3).
- Cuando se alcance la temperatura deseada, la alarma sonará durante 30 segundos y reiniciará automáticamente la cuenta hacia atrás a partir del ajuste de tiempo anterior.

### Para que el tiempo cuente hacia delante:

- Pulse el botón de **Start / Stop** (inicio / parada): ► / ■. Durante la cuenta hacia delante, la pantalla mostrará la lectura en el formato minutos/segundos.
- Vuelva a pulsar el botón para detener el temporizador. (Ajuste máximo: 99 minutos (4), 59 segundos (5)).

### Para borrar el tiempo:

- Pulse los botones **MIN** y **SEC**: ↻ simultáneamente (1)(2).

*Nota: si el temporizador se utiliza en un entorno sujeto a descarga electrostática, el ajuste de tiempo de la unidad puede perderse. Si ocurre esto, reinicie la unidad y vuelva a introducir el ajuste de tiempo.*

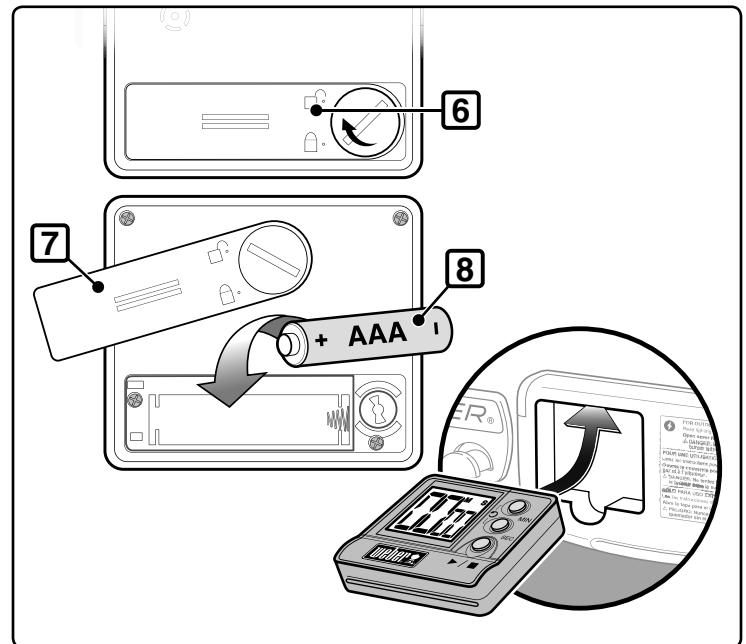
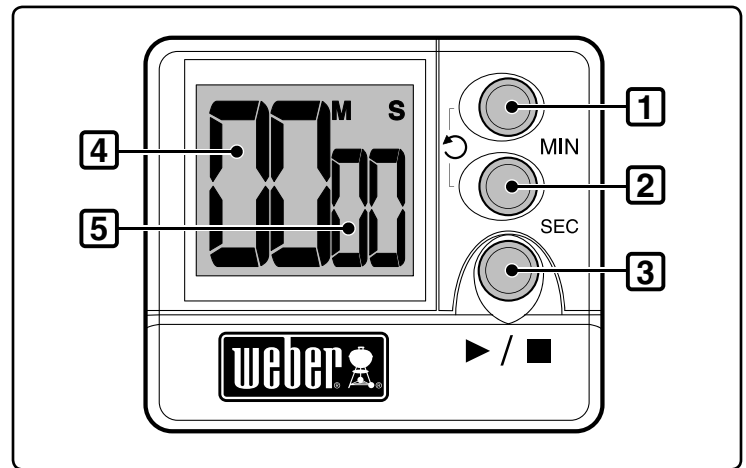
### Instalación de la pila:

- Abra la cubierta de la pila en la parte posterior del temporizador (6) girando el cierre a la derecha.
- Retire la cubierta de la pila de la parte posterior del temporizador (7).
- Sustituya la pila AAA (8).
- Vuelva a colocar la cubierta de la pila.
- Cierre la cubierta de la pila girando el cierre a la izquierda.
- Después de instalar la pila, se mostrará (0000) en la pantalla LCD.

### Mantenimiento:

- No limpie la unidad con compuestos corrosivos ni abrasivos, que puedan rayar las piezas de la unidad y corroer los circuitos electrónicos.
- No exponga la unidad a humedad, temperatura, polvo, impactos o fuerzas excesivas, que puedan hacer que la unidad funcione mal o acortar la vida útil de los componentes electrónicos, dañar la pila o deformar las piezas.
- No manipule los componentes internos de la unidad. Hacerlo anulará la garantía de la unidad y provocará daños en la pila y las piezas internas.
- No exponga la unidad a la luz directa del sol ni a la lluvia intensa durante mucho tiempo.
- No sumerja este dispositivo en agua.

**Para obtener el mejor rendimiento del temporizador digital de cocción, se recomienda guardar el temporizador en el interior cuando no se utilice.**



PROBLEMA	COMPROBACIÓN	REMEDIO
El quemador arde con una llama amarilla o naranja y despiden olor a gas.	Inspeccione el quemador por si hubiera obstrucciones.	Limpie el quemador. (Consulte la sección "Mantenimiento".)
El quemador no se enciende o la llama es pequeña.	¿Queda poco o nada de combustible de baja presión?	Cambie la bombona de baja presión.
	¿El tubo flexible del combustible está doblado o enroscado?	Enderece el tubo flexible del combustible.
	¿El quemador se enciende con una cerilla?	Si puede encender el quemador con una cerilla, compruebe el sistema de encendido.
	¿La conexión entre el tubo flexible y el quemador es lo suficientemente firme?	Conecte el tubo flexible del gas al tubo del quemador mediante la pinza de retención metálica proporcionada. <b>⚠ PELIGRO: No utilice la función de encendido de gas si falta la pinza de retención. La ausencia de la pinza de retención puede provocar graves daños personales y materiales, e incluso víctimas mortales.</b> Póngase en contacto con el servicio de atención al cliente para obtener otra pinza de retención.
El patrón de la llama del quemador es errático.	¿El quemador está limpio?	Limpie el quemador. (Consulte la sección "Mantenimiento".)
El quemador no se enciende cuando pulsa el botón de encendido.	Asegúrese de que exista flujo de gas a los quemadores cuando intente encenderlos con una cerilla. Consulte "ENCENDIDO MANUAL."	Si consigue encenderlo con una cerilla, el problema está en el sistema de encendido. Consulte "FUNCIONAMIENTO DEL SISTEMA DE ENCENDIDO ELECTRÓNICO."
	¿La pila instalada está cargada?	Verifique que la pila esté en buen estado e instalada correctamente. Consulte "INSPECCIÓN DEL ENCENDEDOR ELECTRÓNICO."
	¿Están los cables correctamente conectados al módulo de encendido?	Asegúrese de que todos los cables estén correctamente insertados en los terminales de la caja de encendido. Consulte "FUNCIONAMIENTO DEL SISTEMA DE ENCENDIDO ELECTRÓNICO."
	¿Hay un envoltorio plástico alrededor de la nueva pila?	Quite el envoltorio plástico.
El temporizador no funciona.	¿La pila instalada está cargada?	Verifique que la pila esté en buen estado e instalada correctamente. Consulte "FUNCIONAMIENTO DEL TEMPORIZADOR."
El interior de la tapa parece que se está pelando. (Parece que la pintura se despega.)	Lo que ve es grasa recocida que se ha convertido en carbón y se está pelando. <b>NO SE TRATA DE UN DEFECTO.</b>	Límpiala cuidadosamente. (Consulte la sección "Limpieza".)

Si no puede resolver los problemas con estos métodos, póngase en contacto con el representante del servicio de atención al cliente de su zona mediante la información de contacto de nuestro sitio web. Visite [www.weber.com](http://www.weber.com)®.

## MANTENIMIENTO

Tras un periodo en el que no se haya utilizado la barbacoa, se recomienda llevar a cabo los siguientes procedimientos de mantenimiento para su seguridad.

- Compruebe el tubo flexible antes de cada uso de la barbacoa por si hubiera fisuras, grietas, abrasiones o cortes. Si el tubo flexible está inservible, no utilice la barbacoa. Sustitúyalo sólo con piezas de repuesto autorizadas por Weber®. **Póngase en contacto con el representante del servicio de atención al cliente de su zona mediante la información de contacto de nuestro sitio web. Visite [www.weber.com](http://www.weber.com).**

**⚠ PRECAUCIÓN: Si el tubo flexible de la barbacoa está dañado o presenta escapes, no utilice la barbacoa.**

- Asegúrese de que el quemador tenga el patrón de llama correcto (consulte la sección "Patrón de llama del quemador"). Límpielo, si es necesario, según los procedimientos descritos en esta sección.
- Compruebe que no haya escapes en ninguna de las conexiones de gas (consulte la sección "Comprobar que no haya escapes de gas").

## LIMPIEZA PERIÓDICA

Para retirar las cenizas del recipiente, mueva la varilla de control (1) de un lado a otro para que las paletas del regulador de tiro barran las cenizas hacia las rejillas de ventilación del recipiente y hacia dentro del recogedor de cenizas.

**⚠ PRECAUCIÓN: Asegúrese de que el quemador está apagado y la barbacoa fría antes de proceder a la limpieza.**

No amplíe las ranuras del quemador para limpiarlo.

**Para limpiar el quemador:**

- Cepille el exterior del tubo del quemador (2) y la sección de las ranuras del quemador (3) con un cepillo de alambre.

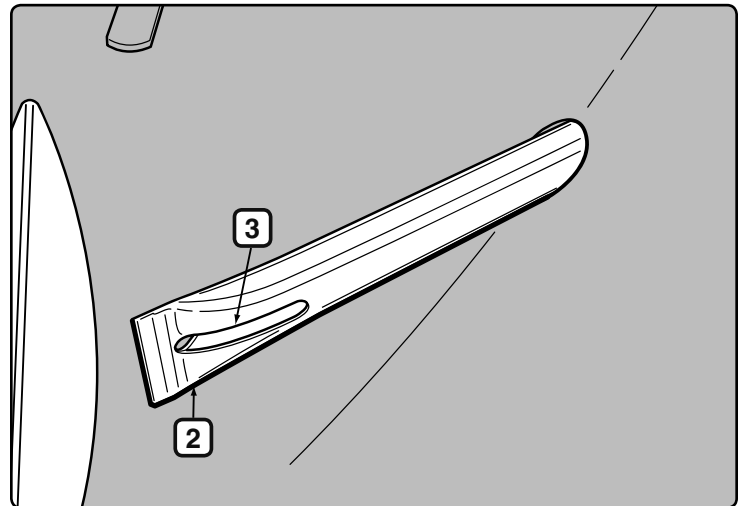
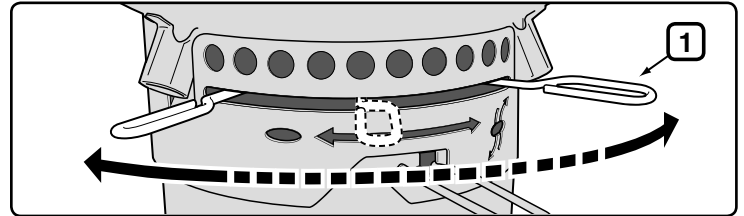
**⚠ PRECAUCIÓN: No amplíe las ranuras del quemador o el orificio del gas cuando los limpie.**

**Para limpiar la olla:**

- Mientras la tapa esté caliente, limpie el interior con una toalla de papel para evitar que se acumule la grasa.
- Para las superficies exteriores, utilice una solución de agua jabonosa y aclare bien con agua limpia.

**Para una limpieza más profunda** (que se debe realizar al menos una vez al año):

- Retire las cenizas una vez se hayan apagado totalmente las brasas de carbón.
- Extraiga las parrillas y las cestas Char-Basket™.
- Limpie con servilletas de papel o papel de cocina. Lave con agua y un producto de limpieza suave. Aclare bien con agua limpia y seque con un paño.



## ALMACENAMIENTO

- Cuando la barbacoa Performer se almacene en el interior de un edificio o un garaje, se debe desconectar el suministro de gas y la bombona de baja presión se debe guardar en el exterior, en un espacio bien ventilado.
- Las bombonas de baja presión se deben almacenar en el exterior, en un área bien ventilada y fuera del alcance de los niños, y no dentro de un edificio, garaje ni en ninguna otra área cerrada.
- Después de un período de almacenamiento o de no haberla utilizado, se debe comprobar que no haya escapes de gas en la barbacoa ni obstrucciones en el tubo del quemador antes de utilizarla (consulte la sección "Mantenimiento").
- Antes de usar la barbacoa, compruebe que las áreas alrededor del conjunto que forman la bombona, el tubo flexible y el quemador están libres de desechos que puedan obstruir el paso del gas o del aire.



## AVISO DE INSECTOS

Su barbacoa Performer, como cualquier otro aparato a gas que se use al aire libre, es un objetivo potencial para arañas y otros insectos. Pueden anidar en la sección de venturi (1) del tubo del quemador, lo que provoca que el gas fluya en sentido contrario, saliendo al exterior por la compuerta de aire.

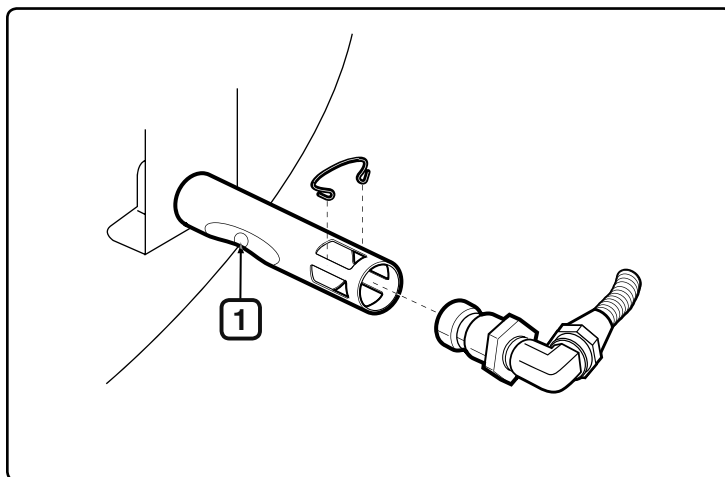
Esto puede provocar que se incendie el tubo del quemador y sus alrededores, la zona que hay debajo el panel del recipiente. El fuego podría dañar seriamente la barbacoa y hacer que resultase peligrosa de utilizar.

Le recomendamos con firmeza que inspeccione y limpie el tubo del quemador al menos una vez al año o si se detecta uno de los siguientes síntomas:

- A) Olor a gas junto con la aparición de llamas amarillentas y lentas en el quemador.
- B) El quemador emite ruidos parecidos a pequeños estallidos.

### ⚠ PELIGRO

**Si no se corrigen estos síntomas, se puede producir un incendio que puede causar graves daños personales o materiales, e incluso víctimas mortales.**

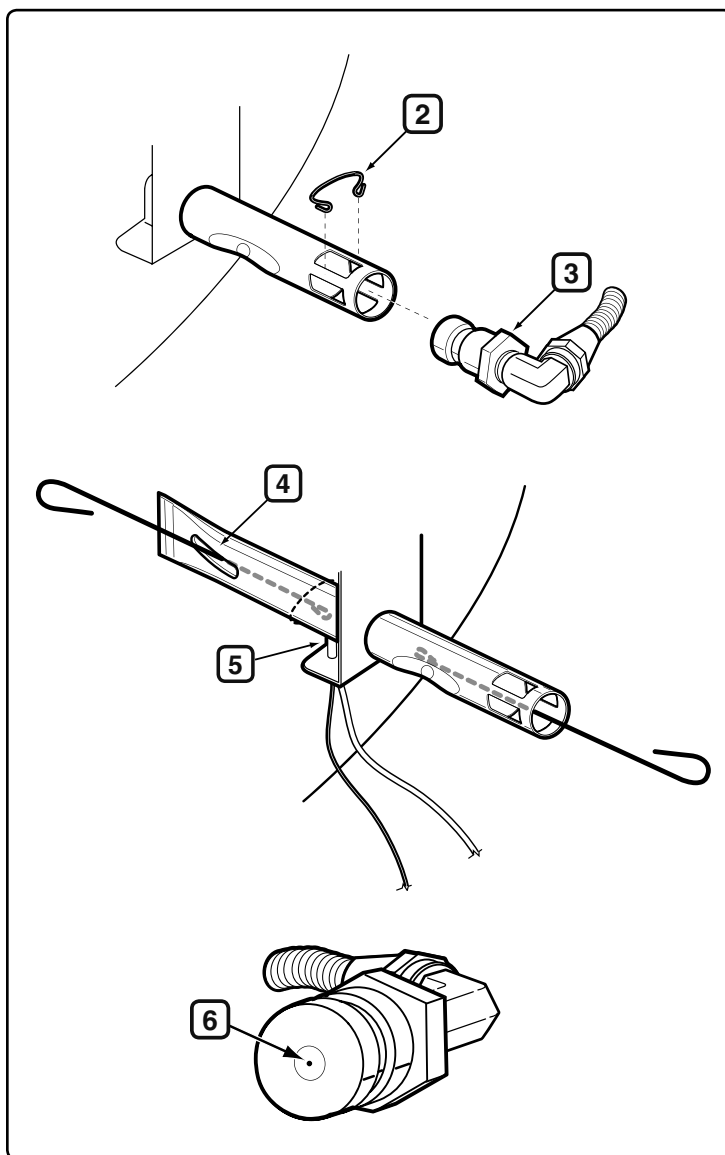


## INSPECCIÓN Y LIMPIEZA DEL QUEMADOR

- A) Apague el gas.
- B) Retire el contenedor de almacenamiento CharBin™.
- C) Extraiga la pinza del orificio (2) y el accesorio del tubo flexible (3) del tubo del quemador.
- D) Mire dentro de cada quemador con un linterna.
- E) Limpie el interior de los quemadores con el soporte para cerillas de alambre (incluido con la barbacoa). Utilice el alambre para limpiar el área de la compuerta de aire, la sección venturi y las ranuras del quemador (4) en el interior del recipiente. Tenga cuidado al introducir la herramienta de limpieza del quemador para no dañar el electrodo del encendedor (5).
- F) Vuelva a comprobar los quemadores con la linterna para ver si no hay más obstrucciones.
- G) Si fuese necesario, se puede limpiar la superficie del accesorio del tubo flexible con un cepillo de alambre. El orificio (6) se puede limpiar con una pequeña clavija.

**⚠ PRECAUCIÓN: No amplíe el orificio para limpiarlo.**

- H) Vuelva a montar la barbacoa haciendo lo contrario de lo indicado en los pasos B y C.

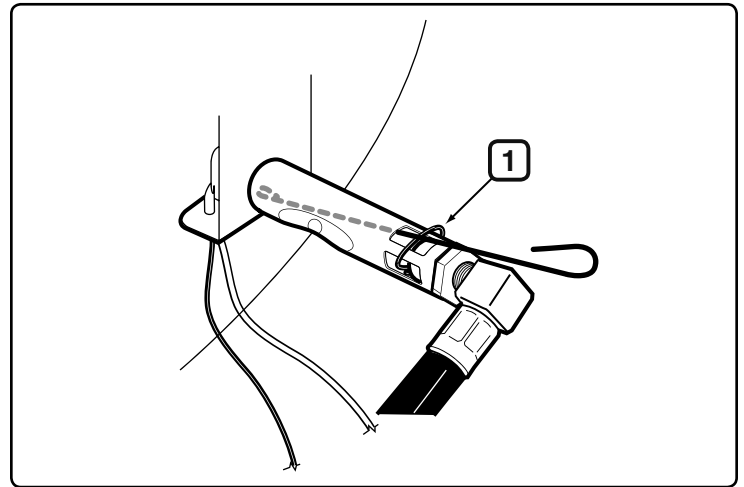


## LIMPIEZA RÁPIDA PERIÓDICA

Le recomendamos que limpie periódicamente el exterior de las ranuras del quemador con un cepillo de alambre y que limpie el tubo del quemador hasta la rejilla de ventilación de combustión con el soporte para cerillas que se le ha entregado con la barbacoa.

Esto se puede hacer localizando los respiraderos de combustión del quemador (1), situado debajo del soporte del recipiente, e introduciendo la herramienta por cada respiradero mientras se gira la herramienta. Tenga cuidado al introducir el soporte para cerillas para no dañar el electrodo de encendido.

**⚠ PRECAUCIÓN: Es importante aumentar la frecuencia de este procedimiento de limpieza durante los meses de primavera y verano.**

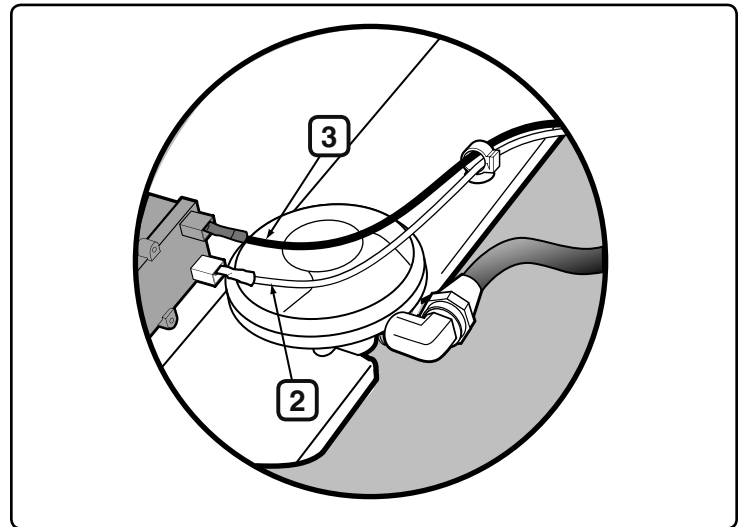


## INSPECCIÓN DEL SISTEMA DE ENCENDIDO ELECTRÓNICO

Si el sistema de encendido electrónico no se enciende, asegúrese de que fluye gas encendiendo los quemadores con una cerilla. Consulte "ENCENDIDO MANUAL" Si consigue encenderlo con una cerilla, el problema está en el sistema de encendido electrónico.

**⚠ ADVERTENCIA: La válvula de suministro y control del gas debe estar en la posición OFF (apagado).**

- Compruebe que la pila AAA (sólo alcalina) está en buen estado e instalada correctamente (1). Algunas pilas cuentan con un envoltorio plástico protector. Este envoltorio plástico debe quitarse. No confunda este plástico con la etiqueta de la pila.
- Compruebe que los cables de encendido blanco (2) y negro (3) están correctamente conectados.
- Compruebe que el botón de encendido electrónico funciona, escuchando y mirando las chispas en el quemador.
- Compruebe si el encendedor está demasiado suelto en el chasis. Apriételo si fuera necesario; consulte el paso "Instalación" para ver el procedimiento correcto.



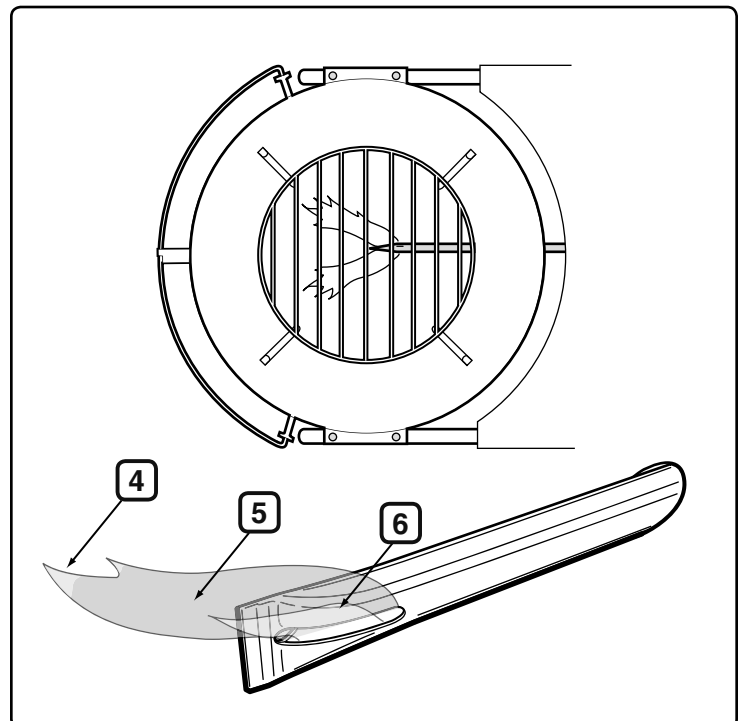
## Sustituya La Pila Si Es Necesario

*Sólo pilas alcalinas AAA.*

Si el sistema de encendido electrónico sigue sin encenderse, póngase en contacto con el representante del servicio de atención al cliente de su zona mediante la información de contacto de nuestro sitio Web. Visite [www.weber.com](http://www.weber.com).

## PATRÓN DE LLAMA DEL QUEMADOR

El quemador viene configurado de fábrica para realizar una mezcla correcta de aire y gas. La llama será correcta si tiene puntas amarillentas (4), es de color azul oscuro en el centro (5) y azul claro en el tubo del quemador (6). Si las llamas no tienen este aspecto, o si se producen ruidos de pequeños estallidos, siga los procedimientos de limpieza del quemador.





**⚠ ATENCIÓN: Este producto ha pasado pruebas de seguridad y está certificado para su uso en un país específico. Consulte el nombre del país que se encuentra en la caja exterior.**

Estas piezas pueden ser componentes que transportan o queman gas. Póngase en contacto con Weber-Stephen Products LLC, Departamento de servicio al cliente, para obtener información sobre piezas de repuesto originales de Weber-Stephen Products LLC.

**⚠ ADVERTENCIA: No intente reparar componentes que transportan o queman gas sin ponerse en contacto con Weber-Stephen Products LLC, Departamento de servicio al cliente. Si no sigue las advertencias de este producto, sus acciones pueden provocar incendios o explosiones que pueden producir daños materiales y personales graves o la muerte.**



Este símbolo indica que el producto no se puede desechar en la basura. Para obtener instrucciones sobre cómo desechar correctamente este producto en Europa, visite [www.weber.com](http://www.weber.com)® y póngase en contacto con el importador especificado para su país. Si no dispone de acceso a Internet, póngase en contacto con el proveedor para que le indique el nombre, la dirección y el número de teléfono del importador.

Cuando decida desechar o tirar su barbacoa, todos los componentes eléctricos (por ejemplo el motor de la barbacoa, las baterías, el módulo de encendido o las luces para las asas) deberán extraerse y desecharse de acuerdo con lo especificado por la Directiva RAEE. Deberán desecharse separadas de la barbacoa.



WEBER-STEPHEN PRODUCTS LLC  
[www.weber.com](http://www.weber.com)®



# PERFORMER® DELUXE

## Bruksanvisning för brikettgrill

Montering - p. 5

#54785



**DU MÅSTE LÄSA DENNA HANDBOK  
INNAN DU ANVÄNDER GASOLGRILLEN**

### ⚠ FARA

Om du känner lukt av gasol:

1. Stäng av gasotillförseln till enheten.
2. Släck öppna eldslågor.
3. Öppna locket.
4. Om lukten kvarstår ska du hålla dig på avstånd från enheten och omedelbart kontakta gasolleverantören eller brandkåren.

Läckande gasol kan leda till brand eller explosion, vilket kan orsaka allvarlig kroppsskada eller dödsfall, eller skada på egendom.

### ⚠ VARNING:

1. Förvara och använd inte bensin eller andra lättantändliga gaser eller vätskor i närheten av denna eller annan enhet.
2. En gasolflaska som inte är ansluten för användning bör inte förvaras i närheten av denna eller annan enhet.

⚠ **VARNING:** Utför noga alla läckagekontroller i denna handbok innan du använder grillen. Detta ska göras även om grillen monterats ihop av återförsäljaren.

⚠ **VARNING:** Tänd inte Weber® gasolgrill utan att först ha läst tändningsanvisningarna i denna handbok.

**INFORMATION FÖR INSTALLATÖREN:**  
Denna handbok måste finnas hos ägaren, som ska förvara den för framtida användning.

**FÅR BARA ANVÄNDAS UTOMHUS.**

OM DU INTE FÖLJER VARNINGAR OCH FÖRSIKTIGHETSMEDELANDEN KAN DET GE UPPHOV TILL LIVSHOTANDE SKADOR, ELDSVÅDA ELLER EXPLOSION SOM ORSAKAR SKADA PÅ EGENDOMEN.

- △ SÄKERHETSSYMBOLER ( △ ) informerar dig om viktig SÄKERHETS-information.
- △ Varningsord FARA, VARNING eller VAR FÖRSIKTIG används tillsammans med SÄKERHETSSYMBOLEN.
- △ FARA omnämns vid de största riskerna.
- △ Läs all säkerhetsinformation som finns i denna handbok innan grillen används.

#### △ FAROR

- △ Underlåtelse att följa anvisningar betecknade med Fara, Varning och Var försiktig i denna handbok kan leda till livshotande skador, eller till brand eller explosion som medför skada på egendom.
- △ Använd den inte inomhus! Grillen är enbart avsedd för utomhusbruk. Om den används inomhus kommer rök att ackumuleras vilket kan ge upphov till livshotande skador.
- △ Denna grill ska endast användas utomhus, på en plats med god ventilation. Får ej användas i garage, i en byggnad, i en passage eller annat stängt utrymme.
- △ Använd aldrig grillen under överliggande brännbart material.
- △ Felaktig montering kan vara farligt. Följ monteringsanvisningarna i denna handbok. Använd inte grillen om inte alla delar sitter på plats. Kontrollera att antingen askuppsamlaren är ordentligt fäst på benen under grillens balja, eller att den stora askuppsamlaren sitter på plats, innan grillen tänds.
- △ Tillsätt aldrig tändvätska eller grillkol som har impregnerats med tändvätska på varm eller het grillkol. Sätt på korken till tändvätskan efter användning, och placera den på ett tryggt avstånd från grillen.
- △ Använd aldrig bensin, tändvätska eller alkohol på briketterna. Använd aldrig någon form av briketter som är preparerade med tändmedel.
- △ Du bör vara försiktig medan du grillar. Grillen kommer att bli het under grillningen och ska aldrig lämnas utan översyn vid användning.
- △ Lämna aldrig grillen utan tillsyn när den används.
- △ Försök aldrig flytta en het grill.
- △ Använd aldrig grillen om brännbart material står inom 1,5 m. Brännbart material inkluderar, men begränsas inte av, trädäck, uteplatser och verandor av obehandlat eller behandlat trä.
- △ Brännbara material får aldrig vara inom 60 cm från grillen, varken över, under eller på sidorna.
- △ Håll lättantändliga ångor och vätskor, t.ex. bensin, alkohol, etc., och annat brännbart material borta från tillagningsområdet.
- △ Ta inte bort askan förrän alla briketterna har brunnit upp och är helt släckta och grillen är kall.
- △ Lägg alltid grillbriketter i Char-Baskets™ eller över det nedre (brikett)gallret. Lägg aldrig grillbriketter direkt på baljans botten.
- △ Använd inte kläder med lösa fladdrande ärmor medan du tänder eller använder grillen.
- △ Luta aldrig över grillen medan du tänder brännaren.
- △ Använd inte grillen vid kraftig blåst.
- △ Använd aldrig grillen om det finns en gasläcka.
- △ Använd inte en eldslåga för att kontrollera om det finns gasläckor.
- △ Om brännaren skulle släckas under användningen, stäng av ventilen på gasolflaskan. Ta bort locket och vänta fem minuter innan du försöker tända igen enligt tändinstruktionerna i handboken.
- △ Försök inte koppla loss gasolregulatorn från tanken eller någon gasolanslutning medan grillen används.
- △ Använd bara LP gasolregulatorn som levereras med grillen.

#### △ VARNINGAR

- △ Följ anvisningarna för anslutning av regulatorn för din typ av gasolgrill.
- △ Förvara inte en extra eller bortkopplad LP gasolflaska under eller nära grillen.
- △ Ställ grillen på en säker plan yta som är fri från brännbart material.
- △ Lägg inte ett grillöverdrag eller något annat brännbart föremål på eller i förvaringsutrymmet under grillen.
- △ Ta alltid av locket innan du tänder gasolbrännaren manuellt eller med tändaren. Locket måste förbli AV tills briketterna är helt och hållet tända.
- △ Vidrör aldrig grill- eller brikettgallret, aska, grillkol eller själva grillen för att se om de är heta.
- △ Använd inte lavasten eller grillstenar i denna grill.
- △ Använd aldrig vatten för att kontrollera flammor eller för att släcka grillkolen eftersom det kan skada den porslinsmaljerade ytan. Stäng till de nedre luftventilerna (spjällen) något, och placera locket på grillen.
- △ Släck briketterna när du har grillat klart. Stäng alla ventiler (spjäll) när locket har lagts på.
- △ Grillvantar ska alltid användas vid grillning, justering av luftventiler (spjäll), tillsättning av briketter och hantering av termometern och locket.
- △ Använd korrekta grillverktyg med långa värmeresistenta handtag.
- △ Vissa modeller kan vara utrustade med Tuck-Away™ lockhållare. I Tuck-Away™-lockhållaren ställs locket när maten ska kontrolleras eller vändas. Använd inte Tuck-Away™-lockhållaren som ett handtag för att lyfta eller flytta grillen. Placera inte ett hett lock på en matta eller på gräset. Häng inte locket på grillens handtag.
- △ Släng aldrig varma briketter där någon kan trampa på det eller där det råder fara för eldsvåda. Släng aldrig aska eller briketter innan de har svalnat helt. Sätt aldrig grillen i ett förråd innan aska och briketter har släckts helt och hållet.

- ⚠ Hantera och förvara heta elektriska tändare med försiktighet.
- ⚠ Håll elektriska sladdar borta från grillens heta ytor och från områden där personer ofta passerar.
- ⚠ Om grillen inte har använts under en tid ska du kontrollera om det finns gasolleckor och om brännaren är igentäppt innan du använder grillen. Läs anvisningarna i denna handbok för korrekt förfarande.
- ⚠ Övergång till eller försök att använda naturgas i den här grillen är farligt och gör att din garanti blir ogiltig.
- ⚠ En bucklig eller rostig LP gasolflaska kan vara farlig och måste kontrolleras av leverantören av flytande propangas. Använd inte en LP gasolflaska med en skadad ventil.
- ⚠ Även om gasolflaskan ser ut att vara tom kan den ändå innehålla gasol. Flaskan ska transporteras och förvaras i enlighet med detta.
- ⚠ Om du ser, luktar eller hör gas läcka från LP gasolflaskan:
  1. Gå bort från gasolflaskan.
  2. Försök inte korrigeras felet själv.
  3. Ring till brandkåren.

⚠ VAR FÖRSIKTIG

- ⚠ Klä inte baljan med aluminiumfolie eftersom det stör luftflödet. Använd istället en droppskål för att fånga upp dropp från köttet under tillagningen enligt den indirekta metoden.
- ⚠ Använd inte vassa föremål för att rengöra grillgallret eftersom dess yta då skadas.
- ⚠ Använd inte slipande rengöringsmedel för att rengöra grillgallret eller grillen eftersom dess yta då skadas.
- ⚠ Grillen ska regelbundet rengöras grundligt.

GARANTI

Weber-Stephen Nordic (Weber®) garanterar härmed den URSPRUNGLIGA KÖPAREN av denna Weber® gasolgrill att den är fri från fel i material och utförande från inköpsdatum enligt följande:

Grillgaller / kolgaller	2 år
Aluminiserade blad/pläterade delar	
One-Touch™ rengöringssystem	5 år
Rostfritt stål One-Touch™ rengöringssystem	10 år
Lock och balja kan inte rosta eller genombrännas	10 år
Nylonhandtag	10 år
Delar av termoplast/härdplast (Performer®)	10 år
	med undantag för blekning
Alla övriga delar	2 år

när de monteras och används i enlighet med de tryckta anvisningar som medföljer produkten. Weber kan kräva bevis på inköpsdatum för din produkt. DÄRFÖR SKA DU SPARA KVITTOT ELLER FAKTURAN.

Detta garantisystem är begränsat till reparation eller byte av delar som visar sig vara felaktiga vid normal användning och service, och som efter undersökning enligt Webers bedömning visar sig vara felaktiga. Innan du returnerar några delar, var vänlig kontakta Webers kundtjänst där du bor med hjälp av kontaktinformationen på vår hemsida. Om Weber bekräftar felet och godkänner din fordran beslutar Weber om byte av felaktiga delar utan kostnad. Om du måste returnera felaktiga delar ska transportkostnaderna betalas i förskott. Weber returnerar delarna till köparen med frakt eller porto betalt i förskott.h

Detta garantisystem täcker inte fel eller driftproblem som uppstår på grund av olycka, våldsamhet, oaksamhet, ändringar, felaktig användning, vandalism, felaktig montering eller inkorrekt underhåll/service, eller vid underlåtelse att utföra normalt rutinunderhåll, vilket innefattar men inte begränsas till skada som orsakas av insekter i brännarrören enligt beskrivningen i denna handbok.

Försämrad funktion eller skada som beror på hårt väder som t.ex. hagel, orkan, jordbävning eller tromb, eller missfärgningar som uppstår för att produkten utsatts för kemikalier direkt eller genom luftföroreningar, täcks inte av detta garantisystem.

Det finns inga andra uttryckliga garantier förutom de som anges här, och varaktigheten för eventuella tillämpliga underförstådda garantier om säljbarhet och lämplighet begränsas till den period som täcks av detta uttryckliga skrivna garantisystem. I vissa regioner tillåts inte begränsningar för hur länge en underförstådd garanti varar, så denna garanti kanske inte gäller dig.

Weber ansvarar inte för särskilda eller indirekta skador eller följdskador. I vissa regioner tillåts inte att tillfälliga skador eller följdskador undantas eller begränsas, så detta undantag eller denna begränsning kanske inte gäller dig.

Weber tillåter inte att någon person eller något företag för Webers räkning påtar sig någon förpliktelse eller något ansvar i samband med försäljning, montering, användning, demontering, returering eller byte av denna utrustning, och ingen sådan framställan är bindande för Weber.

Denna garanti gäller endast produkter som säljs i detaljhandeln.

Besök [www.weber.com](http://www.weber.com)®, välj land, och registrera din grill i dag.

BYTE AV SLANG, REGULATOR OCH VENTIL

⚠ **VIKTIGT MEDDELANDE:** Vi rekommenderar att du byter gasolslang och tillhörande delar till din Weber gasolgrill vart femte år. I vissa länder finns krav på att gasolslangar ska bytas inom fem års användning, följ då landets bestämmelser.

För ny slang, regulator och ventil, kontakta Webers kundtjänst där du bor med hjälp av kontaktinformationen på vår hemsida. Logga in på [www.weber.com](http://www.weber.com)®.

LAND

GASOLTYP OCH TRYCK

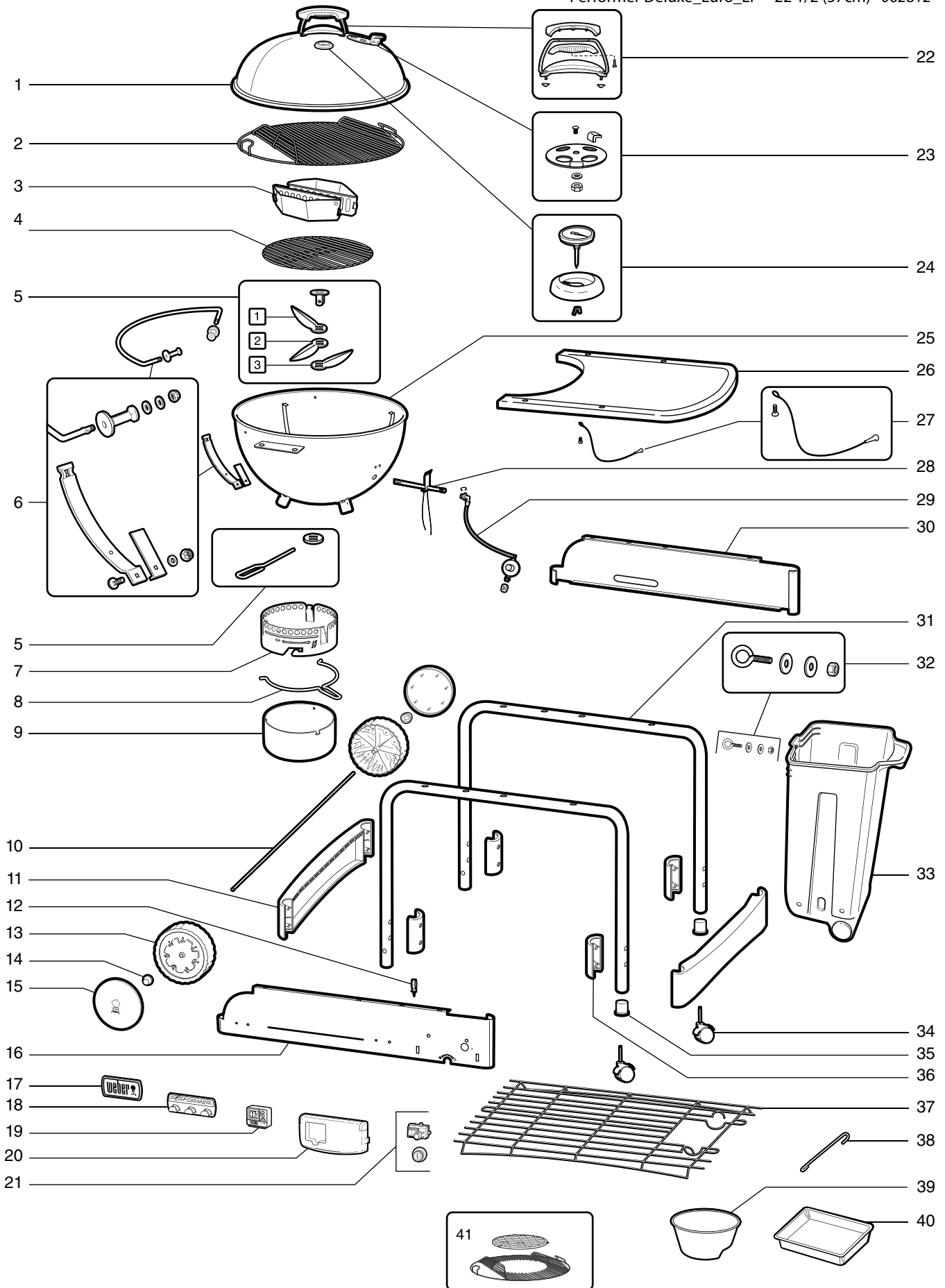
Danmark, Sverige, Norge, Finland, England, Nederländerna, Storbritannien, Frankrike, Spanien, Portugal, Belgien, Irland, Grekland, Luxemburg, Italien, Tyskland, Österrike

I<sub>3B/P</sub> - 29 mbar

FÖRBRUKNING

Tändning av brännaren. Max

Propan/ butanblandning	kW(Hs)	gm(Hs)
	2,6	192





- |                                |                              |                                             |
|--------------------------------|------------------------------|---------------------------------------------|
| 1. Lock                        | 15. Hjulskydd                | 29. Slang och regulator med munstycksklämma |
| 2. Grillgaller med vikkant     | 16. Frontpanel               | 30. Bakpanel                                |
| 3. Char-Basket™                | 17. Logoplatta               | 31. Ramben                                  |
| 4. Brikettgaller               | 18. Redskapshållare          | 32. CharBin™ maskinvara                     |
| 5. One-Touch™ Rengöringssystem | 19. Digital Tillagningstimer | 33. CharBin™                                |
| 6. Lockhållare och nedre stöd  | 20. Gasolreglagets hölje     | 34. Hjul                                    |
| 7. Askfångarring               | 21. Tändknapp / Tändmodul    | 35. Hjulfäste                               |
| 8. Askfångarhandtag            | 22. Lockhandtag              | 36. Fäste för ramfäste för ben              |
| 9. Stor askuppsamlare          | 23. Lockdämpare              | 37. Nedre hylla                             |
| 10. Axel                       | 24. Termometer               | 38. Tändstickshållare                       |
| 11. Ramfäste för ben           | 25. Balja                    | 39. Brikettmåttbägare                       |
| 12. Tändledningsstöd           | 26. Bord                     | 40. Droppform                               |
| 13. Hjul                       | 27. CharBin™ kedja           |                                             |
| 14. Navkapsel                  | 28. Brännare                 |                                             |

**KAN INKLUDERA:**

41. Bryningsgaller med grillgaller med vikkant

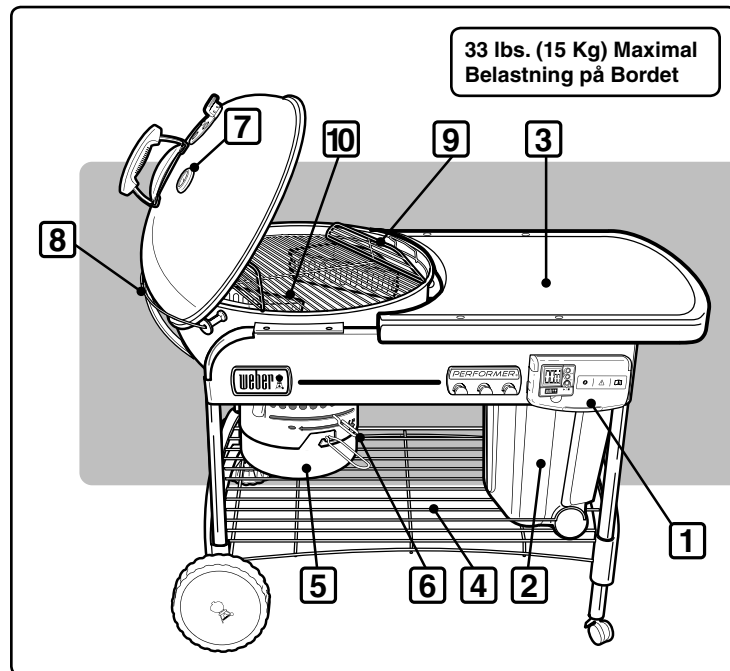
Om du har frågor eller behöver råd om din grill eller hur den används på ett säkert sätt kan du logga in på [www.weber.com](http://www.weber.com).

- I dessa anvisningar anges minimikraven för montering av Weber® grill. Läs anvisningarna noga innan du använder din Weber® grill. Felaktig montering kan vara farligt.
- Får ej användas av barn.
- Denna Weber® grill är konstruerad för att endast användas med propan eller en propan/butanblandning. Får ej användas med naturgas. Ventil och regulator är endast avsedda för butan/propanblandning.
- Denna Weber® gasogrill är inte avsedd för användning i kommersiellt syfte.

- Förbrukning av alkohol och receptbelagda eller ej receptbelagda läkemedel kan försämra konsumentens förmåga att montera ihop eller använda enheten på ett korrekt och säkert sätt.
- Denna Weber® grill är inte avsedd som och ska aldrig användas som värmeelement.
- Lämna inte Weber® grill obebakad. Barn och husdjur ska alltid hållas på behörigt avstånd från Weber® grill.
- Kontrollera att området under kontrollpanelen och bottenbrickan är rena från smuts som kan blockera flödet av förbrännings- eller ventilationsluft.
- Delar som förseglats av tillverkaren får inte ändras av användaren.
- Det kan vara farligt att utföra ändringar på enheten.

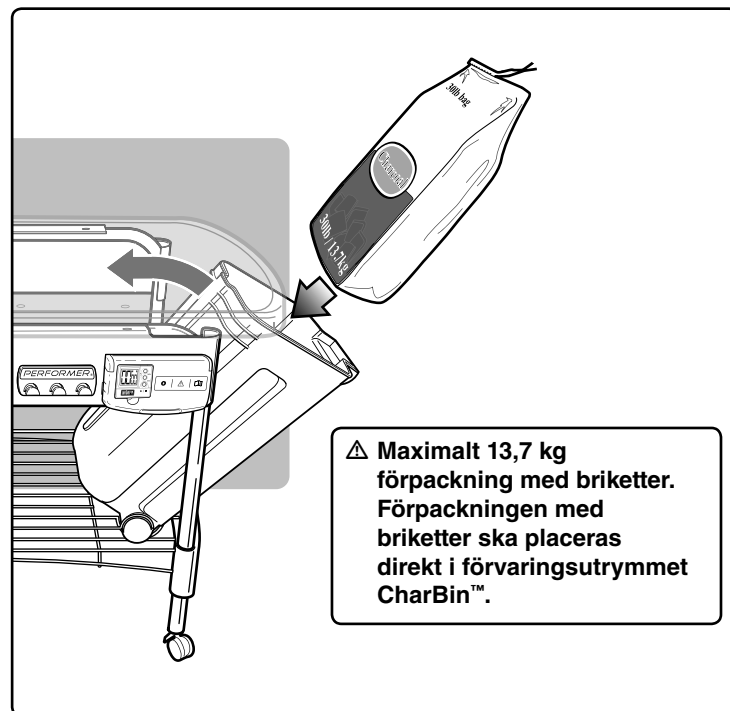
## EGENSKAPER

- Exklusiv Touch-N-Go™ undanröjer besväret med att tända kolbriketter (1). Tryck helt enkelt bara in knappen och systemets gasolbrännare antänds, och tänder briketterna åt dig. Inga farliga tändvätskor behöver användas, och ingen mer eftersmak av tändvätska.
- Förvaringsutrymmet CharBin™ rymmer en förpackning med briketter som väger högst 13,7 kg (2). Förpackningen med briketter ska placeras direkt i förvaringsutrymmet CharBin™.
- Arbetsytan av hårdplast fungerar som en bra arbetsyta och täcker förvaringsutrymmet CharBin™ för att hålla briketterna torra (3).
- Praktisk nedre hylla för förvaring (4).
- Askuppsamlare i rostfri aluminium låses fast så att askan inte blåser iväg (5).
- Med rengöringssystemet One-Touch® kan du enkelt sopa ut askan eller öppna och stänga ventilerna (6).
- Termometern visar tillagningstemperaturen i grillen (7).
- Locket Tuck-Away™ glider tillbaka in i den rostfria lockhållaren och fungerar som ett vindsydd när briketterna tänds (8).
- Gångjärnsförsedd del kan öppnas på grillgallret så att det går lätt att lägga in briketter eller träflis under tillagningen (9).
- Med brikettkorgarna Char-Basket™ kan maten tillagas indirekt eller direkt med trä eller briketter (10).



## ANVÄNDNINGSSOMRÅDE

- ⚠ **VARNING:** Denna grill ska endast användas utomhus, på en plats med god ventilation. Får ej användas i garage, i en byggnad, i en passage eller annat stängt utrymme.
- ⚠ **VARNING:** Tillgängliga delar kan bli mycket heta. Håll små barn borta från grillen.
- ⚠ Använd aldrig grillen under något som kan vara brännbart.
- ⚠ Din Weber® grill är inte avsedd för att användas i eller på fritidsfordon och/eller båtar.
- ⚠ Använd inte brännbara material inom 60 cm från ovansidan, undersidan, baksidan och sidorna på grillen.
- ⚠ Hela grillen blir het under användning. Lämna den inte obebakad.
- ⚠ Håll elektriska sladdar och gasolslangar på avstånd från heta ytor.
- ⚠ Håll lättantändliga ångor och vätskor, t.ex. bensin, alkohol, etc., och annat brännbart material borta från tillagningsområdet.
- ⚠ Flytta aldrig på grillen under användning. Låt den svalna innan du flyttar den.
- ⚠ Denna grill är inte avsedd som och ska aldrig användas som värmeelement.



**ANSLUTA LP-ENGÅNGSFLASKAN**

Använd LP-engångsflaskor med en kapacitet på minst 430 g och högst 460 g. Flaskan måste ha en EN417-ventil som visas på bilden. En typ av flaska som kan användas är Primus modell 2202 eller en engångsflaska av typen Weber Q Gasol.

**⚠ VAR FÖRSIKTIG! Använd endast flaskor som är märkta med propangas eller butan-propanblandning.**

För in gasolflaskan i reduceringsventilen och dra åt den medsols tills den sitter fast ordentligt.

**⚠ VARNING: Dra bara åt för hand. För stor kraft kan skada reduceringsventilen och kan orsaka läckage eller dåligt gasolflöde.**

**KONTROLLERA OM DET FINNS GASOLLÄCKOR:****⚠ FARA**

Använd inte en öppen eldslåga för att kontrollera om det finns gasolläckor. Se till att det inte förekommer gnistor eller lågor i närheten när du utför läckagekontrollen. Gnistor och lågor leder till brand eller explosion, vilket kan orsaka allvarlig kroppsskada eller dödsfall, samt skada på egendom.

Du behöver: LP gasolflaskan, en lösning bestående av diskmedel och vatten samt en trasa eller borste för att stryka på tvällösningen.

- Blanda diskmedel och vatten.
- Vrid på gasolreglaget genom att vrida det motsols.
- Kontrollera om det finns läckor genom att blöta anslutningen med tvällösning och se om bubblor bildas. Om det bildas bubblor, eller om en bubbla växer, innebär det att det finns en läcka.

**KONTROLLERA:**

- Anslutningen mellan regulatören och LP gasolflaskan.

**⚠ VARNING: Om det uppstår en läcka vid anslutning (1), ta bort gasolflaskan. Använd inte grillen. Anslut en annan LP gasolflaska och utför läckagekontroll med tvällösning en gång till. Om läckan finns kvar när flaskan har dragits åt ska du stänga AV gasolen. ANVÄND INTE GRILLEN.** Kontakta Webers kundtjänst där du bor med hjälp av kontaktinformationen på vår hemsida. Logga in på [www.weber.com](http://www.weber.com)®.

**KONTROLLERA:**

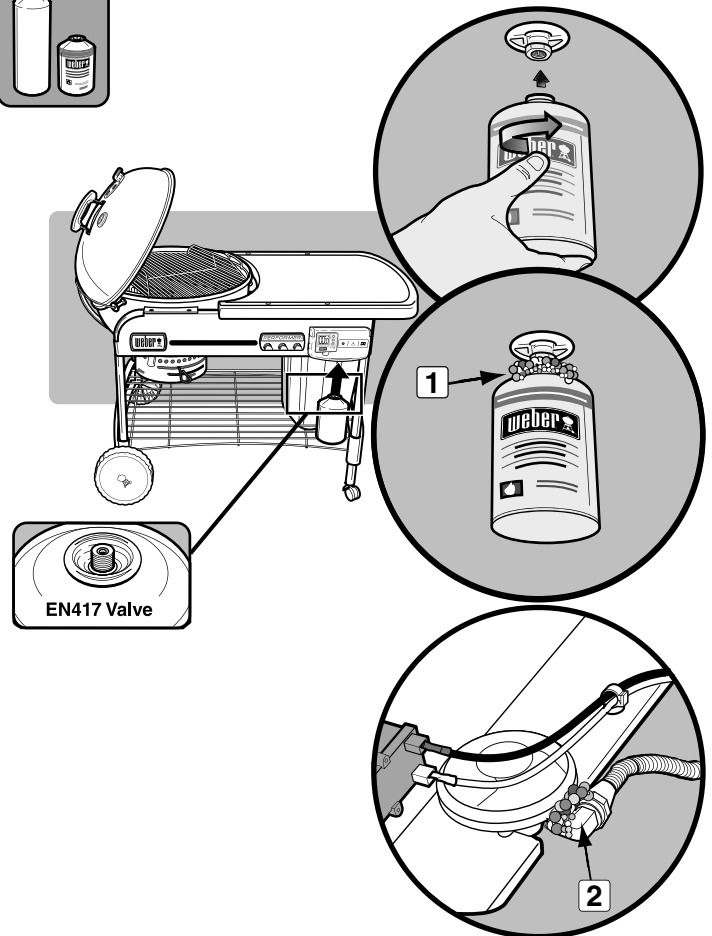
- Anslutningarna mellan ventil och regulator.

**⚠ VARNING: Om det finns en läcka vid anslutningen (2), stäng AV gasen. ANVÄND INTE GRILLEN.** Kontakta Webers kundtjänst där du bor med hjälp av kontaktinformationen på vår hemsida. Logga in på [www.weber.com](http://www.weber.com)®.

När läckagekontrollerna är klara ska du stänga AV gastillförseln vid källan och skölja av anslutningarna med vatten.

**⚠ FARA**

Förvara ingen reservflaska under eller i närheten av denna enhet.



## TÄNDNING

## ⚠ FARA

Öppna locket innan du tänder. Använd aldrig lättantändliga vätskor som tändvätska, bensin, alkohol eller briketter som är preparerade med tändmedel, inte heller vid manuell tändning. Om detta inte följs kan livshotande skador inträffa.

A) Ta bort grilllocket innan gasolfunktionen används.

⚠ **FARA: Om detta inte följs kan gasol ansamlas vilket kan orsaka brand eller explosion som kan leda till livshotande skador, samt skador på egendom.**

B) Öppna spjällen i botten av grillen (1).

C) Placera Char-Baskets™ över brännaren (2).

D) Tryck in flikarna på gasolreglageets hölje (3) och lyft för att öppna.

E) Vrid gasoltillförseln (motsols) minst ett helt varv för att sätta på den (4).

⚠ **WARNING: Luta dig inte över öppen grill när du tänder den.**

F) Håll tändknappen intryckt tills brännaren tänds (5).

⚠ **VAR FÖRSIKTIG! Lågan kan vara svår att se under en ljus solig dag.**

G) När briketterna har tänts (ca 5 minuter), stäng av gasoltillförseln genom att vrida kontrollvredet till OFF (medurs) tills det stängs.

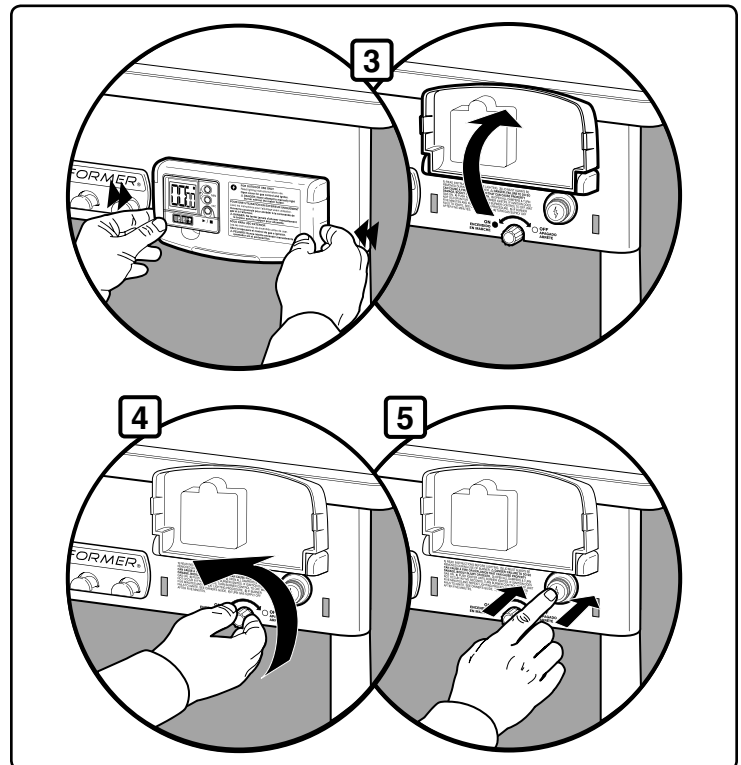
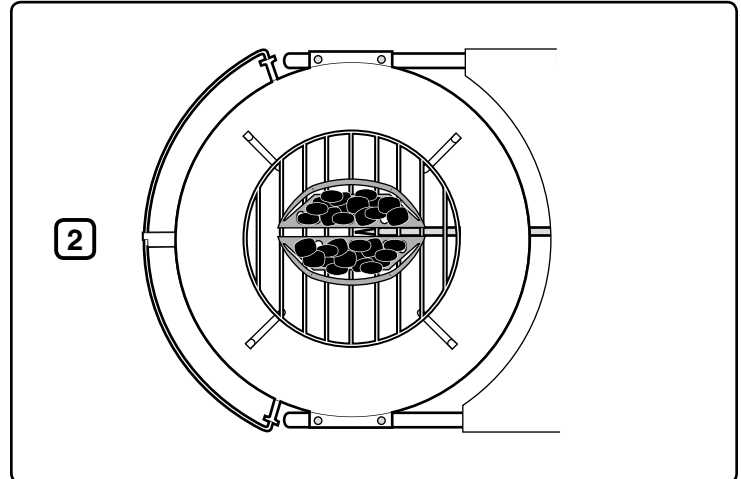
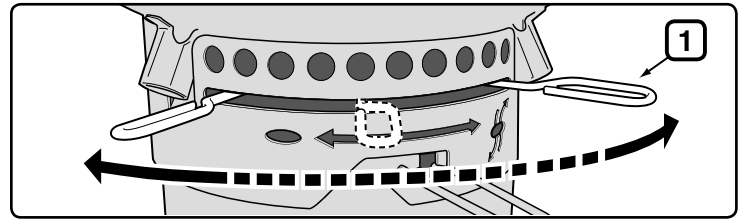
⚠ **VAR FÖRSIKTIG! Se till att höljet är helt stängt.**

*Obs! Långvarig användning av flaskan minskar flaskans livslängd.*

H) Du kan påbörja grillningen när briketterna är lätt täckta av grå aska (ca 25-30 minuter).

## FÖR ATT SLÄCKA

Stäng av gasoltillförseln genom att vrida kontrollvredet till OFF (medurs) tills det stängs.



## MANUELL TÄNDNING

⚠ **VARNING:** Försök inte att tända manuellt utan att använda tändstickshållaren.

⚠ **FARA**

Öppna locket innan du tänder. Använd aldrig lättantändliga vätskor som tändvätska, bensin, alkohol eller briketter som är preparerade med tändmedel, inte heller vid manuell tändning. Om detta inte följs kan livshotande skador inträffa.

A) Ta bort grilllocket innan gasolfunktionen används.

⚠ **FARA:** Om detta inte följs kan gasol ansamlas vilket kan orsaka brand eller explosion som kan leda till livshotande skador, samt skador på egendom.

B) Öppna spjällen i botten av grillen (1).

C) Flytta bort Char-Baskets™ från brännaren (2).

D) Tryck in flikarna på gasolreglagetets hölje (3) och lyft för att öppna.

E) Lägg en tändsticka i tändstickshållaren (4). Tänd tändstickan.

F) Vrid gasoltillförseln (motsols) minst ett helt varv för att sätta på den (5).

G) Placera tändstickan på baksidan av brännaröppningen (6).

⚠ **VARNING:** Håll aldrig handen direkt över brännaren när du tänder manuellt.

⚠ **VARNING:** Luta dig inte över öppen grill när du tänder den.

⚠ **VAR FÖRSIKTIG!** Lågan kan vara svår att se under en ljus solig dag.

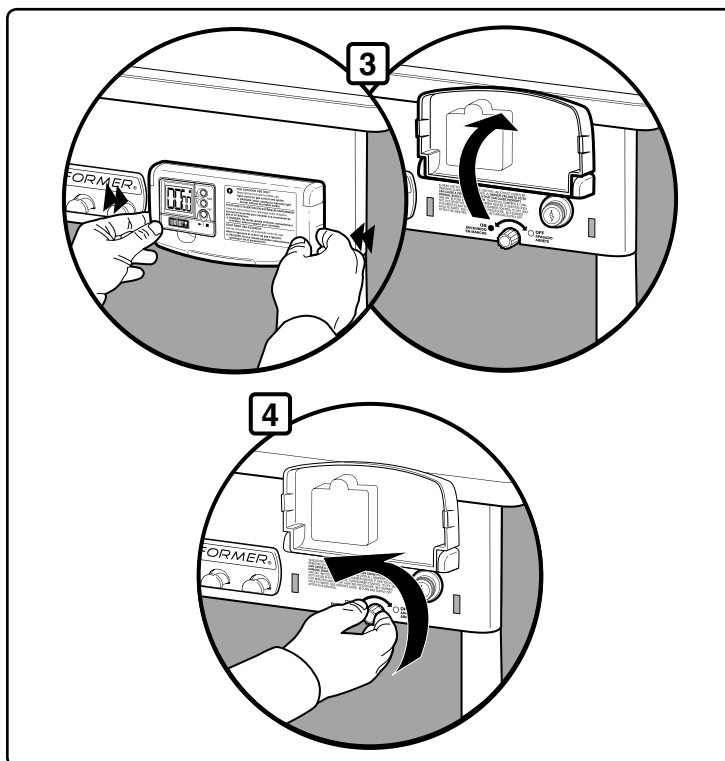
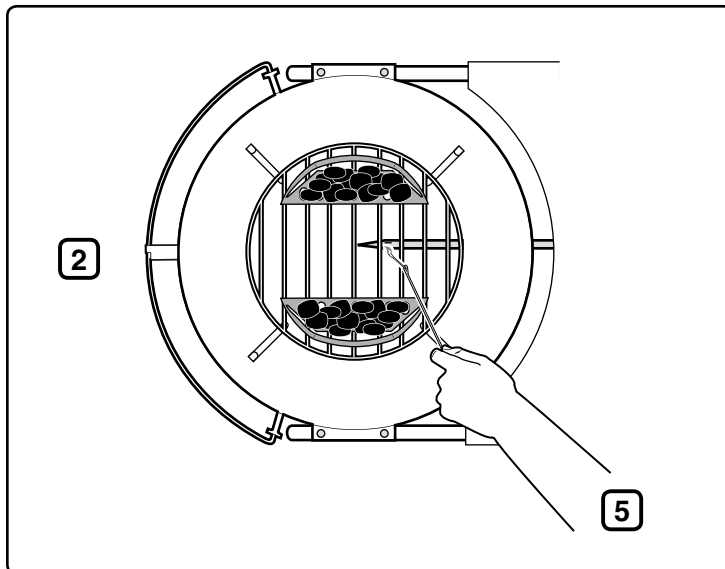
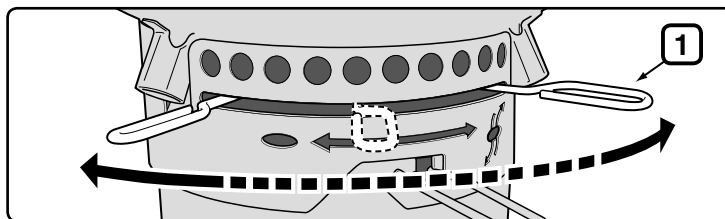
H) Använd grillvantar och tång för att positionera Char-Baskets™ över brännaren.

I) När briketterna har tänts, (ca 5 minuter), stäng av gasolreglaget (medurs) tills det stängs.

J) Du kan påbörja grillningen när briketterna är lätt täckta av grå aska (ca 25-30 minuter).

## FÖR ATT SLÄCKA

Stäng av gasoltillförseln genom att vrida kontrollvredet till OFF (medurs) till det stängs.



## TIMERANVÄNDNING

Den vattenskyddade digitala tillagningstimeren är utrustad med timer i minuter och sekunder för både uppräknig och nerräkning.

### För att ställa in timern för nerräkning:

- Tryck på **MIN (1)** för att ställa in minuterna. Håll knappen intryckt för att stega upp snabbt (maximal inställning är 99 minuter (4)).
- Tryck på **SEC (2)** för att ställa in sekunderna. Håll knappen intryckt för att stega upp snabbt (maximal inställning är 59 sekunder (5)).
- Tryck på **Start / Stop ► / ■ (3)**.
- När inställd tid är uppnådd kommer larmet att ljuda under 30 sekunder för att därefter automatiskt återstarta nerräkningen från föregående tidsinställning.

### För att ställa in timern för uppräknig:

- Tryck på **Start / Stop ► / ■ (3)**. Under uppräknig kommer displayen att visa tiden på formatet minut/sekund.
- Tryck på knappen igen för att stoppa timern. (Maximal inställning: 99 minuter (4), 59 sekunder (5)).

### För att nollställa tiden:

- Tryck på **MIN** och **SEC**  samtidigt (1)(2).

*Obs: Vid användning i en miljö som utsätter timern för elektrostatisk laddning kan inställningar raderas. Om detta sker skall du starta om enheten och ange tiden på nytt.*

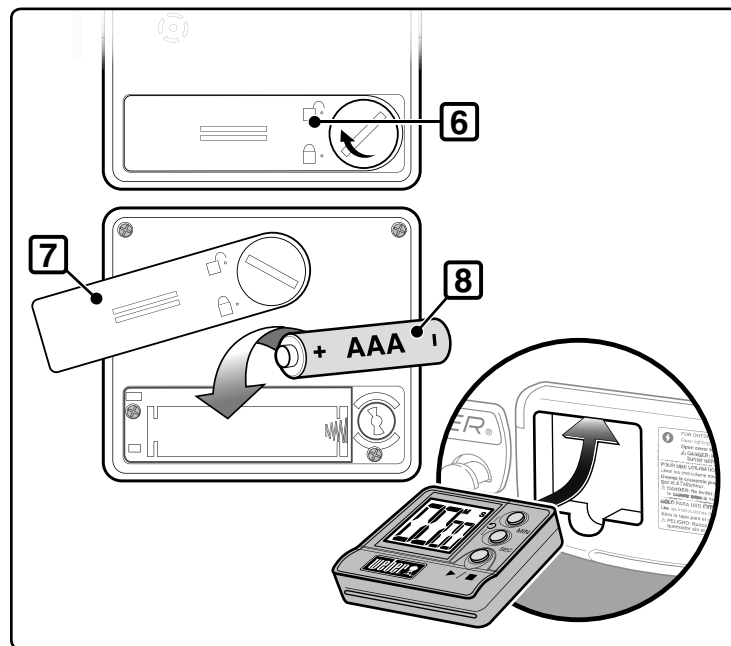
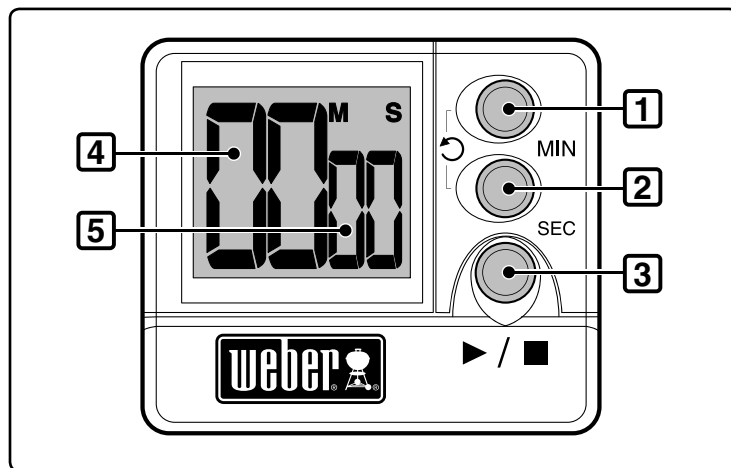
### Isättning av batteri:

- Ta loss batteriluckan på timerns baksida (6) genom att vrida låset medurs.
- Ta loss batteriluckan på timerns baksida (7).
- Byt ut AAA-batteriet (8).
- Sätt tillbaka batteriluckan.
- Lås batteriluckan genom att vrida låset moturs.
- När batteriet sitter i kommer (0000) att visas på skärmen.

### Underhåll:

- Rengör inte enheten med slipande eller korrosivt material, vilket kan repa enhetens delar och få de elektroniska delarna att korrodera.
- Utsätt inte enheten för hårda krafter, skakningar, damm, temperaturer eller fuktighet som kan resultera i att enheten slutar fungera, livslängden förkortas, batterier eller delar tar skada.
- Gör ingen åverkan på komponenterna i enheten. Om åverkan görs blir enhetens garanti ogiltig och kan ge upphov till onödiga skador på batteri och interna delar.
- Utsätt inte enheten för direkt solljus eller hårt regn under alltför lång tid.
- Dränk inte enheten i vatten.

**För att den digitala timern ska fungera på bästa sätt bör den förvaras inomhus när den inte används.**



PROBLEM	KONTROLLERA	ÅTGÄRD
Brännaren brinner med en gul eller orange låga, i kombination med lukten av gasol.	Kontrollera om brännaren är igentäppt.	Rengör brännaren. (Se avsnittet "Underhåll")
Brännaren tänds inte, eller lågan är låg.	Är LP-gasen nästan slut eller slut?	Byt LP-flaskan.
	Är gasolslangen veckad eller böjd?	Sträck gasolslangen.
	Går det att tända brännaren med en tändsticka?	Om det går att tända brännaren med en tändsticka bör du kontrollera tändningssystemet.
	Är slangen till brännarrörets anslutning ordentligt fastsatt?	Anslut gasolslangen till brännarröret med medföljande metallfästklämma. <b>⚠ FARA: Använd inte gasoltändningsfunktionen om fästklämman saknas. En saknad fästklämma kan ge upphov till livshotande skador och egendomsskador.</b> Kontakta kundtjänst om du behöver en ny fästklämma.
Brännarens lågmönster är oregelbundet.	Är brännaren ren?	Rengör brännaren. (Se avsnittet "Underhåll")
Brännaren tänds inte när du trycker på tändknappen.	Kontrollera att det strömmar gas till brännarna genom att försöka tända dem med tändstickor. Se "MANUELL TÄNDNING."	Om det går att tända med tändsticka finns problemet i tändningssystemet. Se "ANVÄNDNING AV DET ELEKTRONISKA TÄNDNINGSSYSTEMET."
	Är batteriet nytt?	Kontrollera att batteriet är i gott skick och att det sitter rätt monterat. Se "KONTROLL AV ELEKTRONISK TÄNDARE."
	Är sladdarna korrekt kopplade till tändmodulen?	Kontrollera att alla sladdar är rätt monterade i kontaktstiften på tändboxen. Se "ANVÄNDNING AV DET ELEKTRONISKA TÄNDNINGSSYSTEMET."
	Finns det ett plasthölje runt det nya batteriet?	Ta av plasten.
Timern fungerar inte.	Är batteriet nytt?	Kontrollera att batteriet är i gott skick och att det sitter rätt monterat. Se "TIMERANVÄNDNING."
Locket insida verkar "flaga" (liknar färgflagor).	Vad du ser är bränt fett som har omvandlats till kol och flagar av. <b>DETTA ÄR INTE ETT FEL.</b>	Rengör noga. (se avsnittet "Rengöring")
Om problemen inte kan lösas på angivet sätt ska du kontakta Webers kundtjänst där du bor med hjälp av kontaktinformationen på vår hemsida. Logga in på <a href="http://www.weber.com">www.weber.com</a> .		

## UNDERHÅLL

Efter ett uppehåll i användningen rekommenderar vi att du i säkerhetssyfte utför följande underhållsprocedurer.

- Kontrollera om slangen har jack eller är skadad, sprucken eller sliten före varje användningstillfälle. Om slangen är oanvändbar ska grillen inte användas. Byt endast ut delar mot delar som är godkända av Weber®. **Kontakta Webers kundtjänst där du bor med hjälp av kontaktinformationen på vår hemsida. Logga in på [www.weber.com](http://www.weber.com).**
- ⚠ **VAR FÖRSIKTIG: Om grillens gasolslang är trasig någonstans eller om den läcker, ska den inte användas vid grillning.**
- Kontrollera att brännarens lågor har rätt utseende (se avsnittet "Brännarens lågmönster"). Rengör vid behov enligt anvisningarna i detta avsnitt.
- Kontrollera alla gasolanslutningar så att de inte läcker (se avsnittet "Kontrollera om det finns gasolläckor").

## REGELBUNDEN RENGÖRING

När askan ska avlägsnas från baljan, flytta regleringsstången (1) från sida till sida så att dämparbladen sopar askan genom baljans ventiler och in i askuppsamlaren.

- ⚠ **VAR FÖRSIKTIG! Se till att brännaren är frånslagen och att grillen är kall innan den rengörs.**

Se till att brännarens öppningar inte blir större vid rengöringen.

### Rengöring av brännaren:

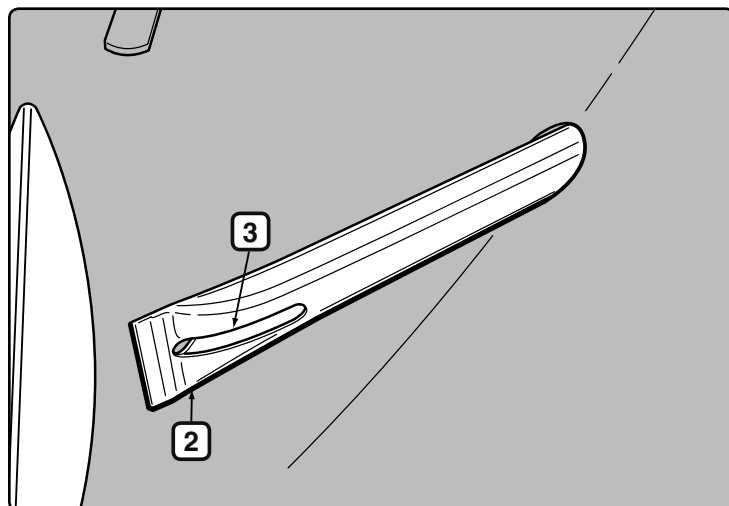
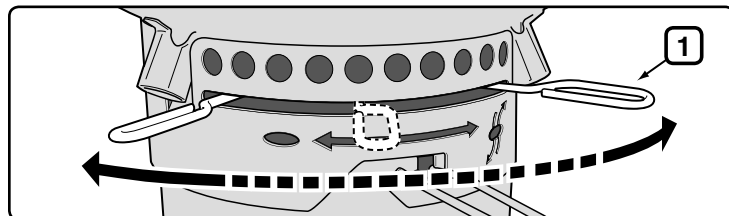
- Borsta utsidan av brännarröret (2) och delen med brännaröppningen (3) med en stålborste.
- ⚠ **VAR FÖRSIKTIG! Se till att brännarens öppningar och gasmunstycket inte blir större vid rengöringen.**

### Rengöring av klotet:

- Torka av lockets insida med hushållspapper när locket är varmt, för att förhindra att fettavlagringar bildas.
- För de yttre ytorna används en varm tvållösning, skölj därefter noga med vanligt vatten.

**För en grundligare rengöring** (görs minst en gång om året):

- A) Ta bort askan när all kol är helt släckt.
- B) Ta bort gallerna och Char-Baskets™.
- C) Torka av med hushållspapper. Tvätta med ett mildt diskmedel och vatten. Skölj noga med rent vatten och låt torka.



## FÖRVARING

- Om grillen ska förvaras inomhus måste gasolflaskan kopplas loss från grillen och förvaras utomhus, på en plats med god ventilation.
- LP-flaskan måste förvaras utomhus på en plats med god ventilation och utom räckhåll för barn. Den får inte förvaras i byggnader, garage eller andra inneslutna utrymmen.
- Om grillen inte har använts under en tid ska du kontrollera om det finns gasolläckor och om brännaren är igentäppt innan du använder grillen (Se avsnittet "Underhåll").
- Kontrollera att områdena runt flaskan, slangen och brännaren är rena från smuts som kan blockera flödet av gasol och luft innan de används.



**INSEKTSVARNING**

Din grill kan liksom andra gasolenheter för utomhusbruk dra till sig spindlar och andra insekter. De kan krypa in i brännarrörets (1) venturidel och så att gasolen flödar tillbaka ut ur luftspjället.

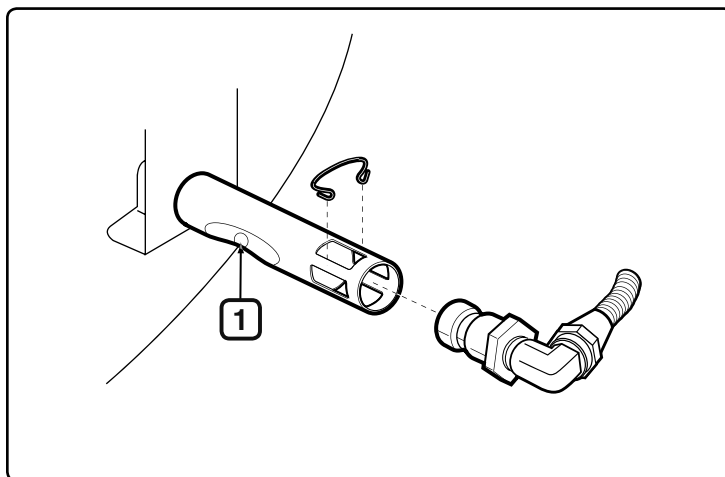
Detta kan leda till en eldsvåda i och runt brännarröret under baljans panel. Det kan innebära allvarliga skador på grillen så att den blir farlig att använda.

Vi rekommenderar att du kontrollerar och rengör brännarröret minst en gång om året, eller om något av följande inträffar:

- A) Gasollukt i kombination med att brännarlågan är mycket gul och trög.
- B) Smällande ljud kommer från brännaren.

**⚠ FARA**

**Om problemen inte åtgärdas kan brand uppstå, vilket kan orsaka livshotande kroppsskador, och leda till skada på egendom.**

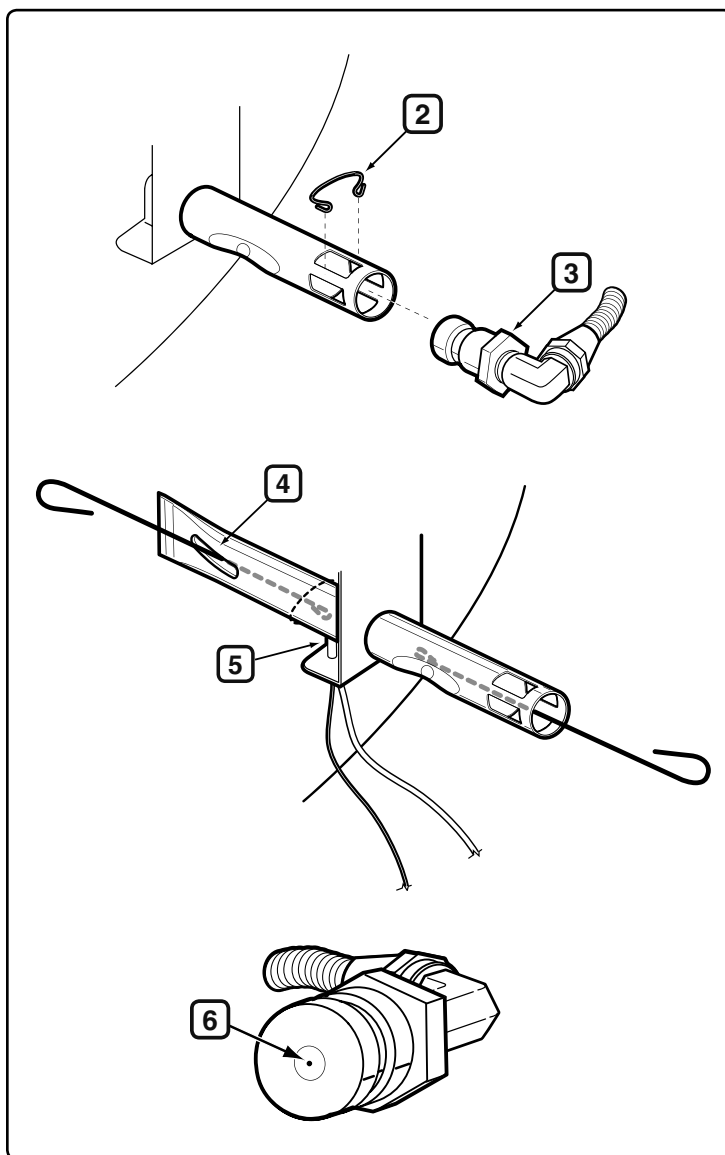


**INSPEKTION OCH RENGÖRING AV BRÄNNAREN**

- A) Sätt gasolen på AV.
- B) Ta bort förvaringsutrymmet CharBin™.
- C) Ta av munstycksklämman (2) och slanganslutningen (3) från brännarröret.
- D) Undersök brännarens insida med en ficklampa.
- E) Rengör brännarens insidor med tändstickshållaren (medföljer). Använd metalltråd för att rengöra luftspjällets område, venturidelen och brännarens öppningar (4) på baljans insida. Var försiktig när du för in brännarens rengöringsverktyg så att tändarelektroden inte skadas (5).
- F) Kontrollera en gång till med ficklampa så att det inte finns några tilltäppningar.
- G) Vid behov kan också slanganslutningens yta rengöras med en stålborste. Munstycket (6) kan rengöras med en liten nål.

**⚠ VAR FÖRSIKTIG! Se till att munstycket inte blir större vid rengöringen.**

- H) Sätt ihop delarna i omvänd ordning mot stegen B och C.

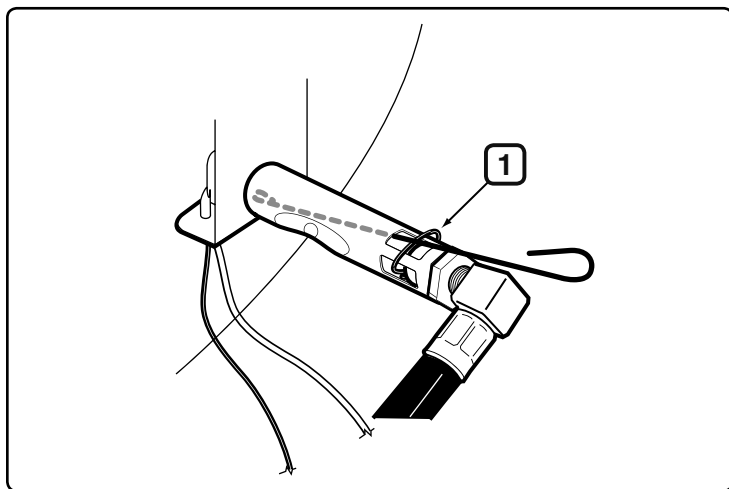


### REGELBUNDEN SNABBRENGÖRING

Vi rekommenderar att du regelbundet borstar utsidan av brännarens öppningar med en stålborste, och rengör brännarröret som går genom ventilen för förbränningsluft med medföljande tändstickshållare.

Detta görs genom att först leta upp brännarens ventil för förbränningsluft (1) under baljans fäste, och för in verktyget genom varje ventil och rotera verktyget. Var försiktig när du för in tändstickshållaren så att tändarelektroden inte skadas.

**⚠ VAR FÖRSIKTIG! Det är viktigt att utföra rengöringen oftare under vår- och sommarmånaderna.**



### KONTROLL AV ELEKTRONISKT TÄNDNINGSSYSTEM

Om det elektroniska tändningssystemet inte tänds, kontrollera att det strömmar ut gas genom att försöka tända brännarna med en tändsticka. Se "MANUELL TÄNDNING". Om det går att tända med tändsticka ligger problemet i den elektroniska tändningen.

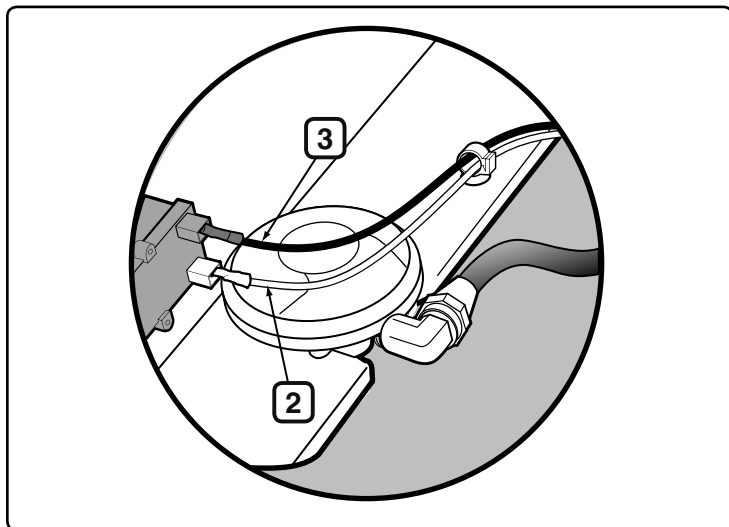
**⚠ VARNING: Gasreglage och gasventil bör stå i avstängt läge.**

- Kontrollera att AAA-batteriet (endast alkaliskt) är i gott skick, och att det är korrekt isatt (1). Vissa batterier har skyddande plast runt sig. Denna plast måste tas av. Förväxla inte plasten med batterietiketten.
- Kontrollera att både de vita (2) och svarta (3) tändtrådarna fästs ordentligt.
- Kontrollera att den elektroniska tändknappen fungerar genom att lyssna och titta efter gnistor vid brännaren.
- Kontrollera om tändaren är lös i ramen. Spänn den vid behov. Se steget "Montera" för rätt tillvägagångssätt.

#### Byt Batteri Vid Behov

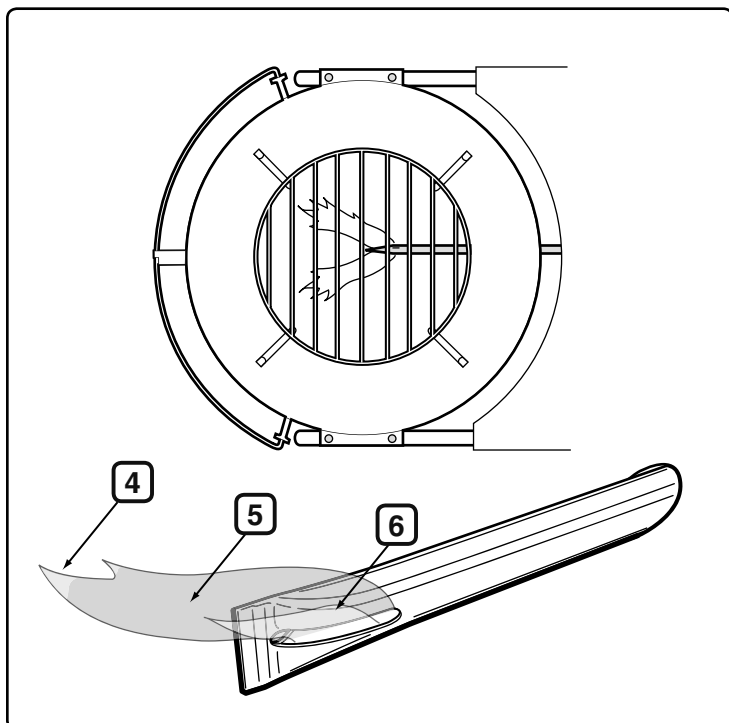
Använd endast alkaliskt AAA-batteri.

Om det elektroniska tändningssystemet fortfarande inte tänds ska du kontakta Webers kundtjänst där du bor med hjälp av kontaktinformationen på vår hemsida. Logga in på [www.weber.com](http://www.weber.com).



### BRÄNNARENS LÅGMÖNSTER

Brännaren är fabriksinställd för rätt blandning av luft och gasol. Det korrekta lågmönstret ska vara gulaktiga längst ut (4) mörkblå i mitten (5) och ljusblå vid brännarröret (6). Om lågorna inte överensstämmer med detta eller om "smällande" ljud hörs, följ anvisningarna för rengöring av brännare.





Lined writing area consisting of 25 horizontal lines.

**⚠ OBSERVERA: Denna produkt har säkerhetstestats och är endast godkänd för att användas i ett specifikt land. Landsbeteckningen anges på ytterförpackningen.**

Dessa delar kan innehålla gasolbärande eller gasolbrännande komponenter. Kontakta kundtjänstavdelningen på Weber-Stephen Products LLC för information om originalreservdelar från Weber-Stephen Products LLC.

**⚠ VARNING: Försök inte reparera gasolbärande eller gasolbrännande komponenter utan att först kontakta kundtjänstavdelningen på Weber-Stephen Products LLC. Om du inte följer denna produktvarning kan dina handlingar leda till brand eller explosion, vilket kan orsaka allvarlig personskada eller dödsfall och skada på egendom.**

**Denna symbol innebär att produkten inte kan kastas i hushållsavfallet. För att få anvisningar om korrekt kassering av denna produkt i Europa, gå in på [www.weber.com](http://www.weber.com)<sup>®</sup> och kontakta den importör som anges för ditt land. Om du inte har tillgång till Internet kan du kontakta återförsäljaren för att få namn, adress och telefonnummer till importören.**

När du bestämmer dig för att kassera eller slänga grillen, ska alla elektriska delar (motorn till det roterande grillspettet, batterierna, tändningssystemet och belysningen) demonteras och kasseras separat och på korrekt sätt enligt WEEE-direktivet. De ska kasseras separat från grillen.



WEBER-STEPHEN PRODUCTS LLC  
[www.weber.com](http://www.weber.com)<sup>®</sup>



# PERFORMER® DELUXE

Bedienungsanleitung für Holzkohlegrills

Montageanleitung - p. 5

#54785



**LESEN SIE UNBEDINGT VOR DER  
INBETRIEBNAHME IHRES GASGRILLS  
DIESE BEDIEUNGSANLEITUNG  
AUFMERKSAM DURCH!**

## **⚠ GEFAHRENHINWEIS**

Bei Gasgeruch:

1. Schließen Sie die Gaszufuhr zum Gerät.
2. Löschen Sie alle offenen Flammen.
3. Öffnen Sie den Deckel.
4. Wenn der Geruch weiterhin vorhanden ist, halten Sie Abstand vom Gerät, und informieren Sie unverzüglich Ihren Gasversorger oder die Feuerwehr.

Durch ausströmendes Gas kann ein Brand oder eine Explosion verursacht werden. Dadurch kann es zu ernsthaften Personenschäden, zu tödlichen Unfällen und zu Sachschäden kommen.

**⚠ WARNHINWEIS:** Versuchen Sie erst dann, den Weber® Gasgrill zu entzünden, wenn Sie zuvor die Anleitungen "Zünden" in diesem Handbuch gelesen haben.

## **⚠ WARNHINWEIS:**

1. Lagern oder arbeiten Sie nicht mit leicht entflammenden Gasen oder Flüssigkeiten in der Nähe dieses Geräts.
2. In der Nähe dieses Geräts oder anderer Geräte dürfen keine Gasflaschen aufbewahrt werden, die nicht zur unmittelbaren Verwendung vorgesehen sind.

**⚠ WARNHINWEIS:** Führen Sie alle in dieser Bedienungsanleitung aufgeführten Verfahren zur Überprüfung von Gaslecks sorgfältig durch, bevor Sie das Gerät zum Grillen verwenden. Führen Sie immer eine Dichtigkeitsprüfung durch, auch wenn der Händler den Grill montiert hat.

**INFORMATION FÜR DEN INSTALLATEUR:** Dieses Handbuch muss beim Besitzer des Geräts verbleiben und dort zur weiteren Verwendung aufbewahrt werden.

**DAS GERÄT DARF NUR IM FREIEN  
VERWENDET WERDEN.**

BEI NICHTBEACHTUNG DER GEFAHREN-, WARN- UND ACHTUNGSHINWEISE KANN DIES ZU ERNSTHAFTEN ODER GAR TÖDLICHEN VERLETZUNGEN ODER SACHBESCHÄDIGUNGEN AUFGRUND EINES BRANDES ODER EINER EXPLOSION KOMMEN.

- △ SICHERHEITSSYMBOL (△) weisen Sie auf wichtige Informationen zur SICHERHEIT hin.
- △ Signalwörter GEFAHR, WARNUNG oder ACHTUNG werden mit dem SICHERHEITSSYMBOL verwendet.
- △ GEFAHR kennzeichnet eine äußerst ernsthafte Gefahr.
- △ Lesen Sie vor Verwendung dieses Grills alle Sicherheitsinformationen dieses Benutzerhandbuchs durch.

#### △ GEFAHRENHINWEISE

- △ Ein Nichtbeachten der in diesem Handbuch aufgeführten Gefahrenhinweise, Warnungen und Vorsichtsmaßnahmen kann zu schweren oder gar tödlichen Verletzungen oder zu Sachschäden durch Brand oder Explosion führen.
- △ Verwenden Sie das Erzeugnis nicht in geschlossenen Räumen! Dieser Grill darf nur im Freien verwendet werden. Anderenfalls sammeln sich giftige Dämpfe an, die zu schweren oder gar tödlichen Verletzungen führen können.
- △ Verwenden Sie diesen Grill ausschließlich im Freien an einem gut belüfteten Ort. Verwenden Sie den Grill nicht in einer Garage, in einem Gebäude, in Verbindungsgängen zwischen Gebäuden oder an anderweitig umbauten Orten.
- △ Betreiben Sie den Grill niemals unter brennbaren Dächern, Unterständen usw.
- △ Eine unsachgemäße Montage kann Gefahren verursachen. Halten Sie bitte die Montageanleitungen in diesem Handbuch ein. Verwenden Sie diesen Grill erst, wenn alle Teile ordnungsgemäß montiert sind. Stellen Sie vor dem Anzünden des Grills sicher, dass der Aschebehälter ordnungsgemäß an den Beinkupplungen unter der Kugel des Grills befestigt wurde, bzw. dass ein großer entnehmbarer Aschebehälter ordnungsgemäß eingesetzt wurde.
- △ Geben Sie keine Anzündflüssigkeit oder mit Anzündflüssigkeit imprägnierte Holzkohle auf heiße oder warme Holzkohle. Verschließen Sie die Anzündflüssigkeit nach der Verwendung und platzieren Sie diese in sicherem Abstand zum Grill.
- △ Geben Sie niemals Kraftstoff, flüssigen Kohleanzünder oder Alkohol auf die Holzkohle. Verwenden Sie niemals mit Anzündmittel imprägnierte Holzkohle oder -briketts.
- △ Gehen Sie beim Umgang mit dem Grill entsprechend vorsichtig vor. Der Grill erhitzt sich beim Grillen. Lassen Sie den Grill während der Verwendung nie unbeaufsichtigt.
- △ Lassen Sie Säuglinge, Kinder und Haustiere in der Nähe eines heißen Grills nicht ohne Aufsicht.
- △ Versuchen Sie nicht, einen heißen Grill zu bewegen.
- △ Verwenden Sie diesen Grill nur in einer Entfernung zu brennbarem Material von mindestens 1,5 m. Brennbare Stoffe sind beispielsweise (jedoch nicht ausschließlich) Holz, behandelte Holzböden, Holzterrassen und Holzvorbauten.
- △ Es sollten sich keine brennbaren Stoffe innerhalb von ca. 60 cm von der Oberseite, dem Boden, der Rückseite oder von den Seiten des Grills befinden.
- △ Halten Sie die Grillfläche frei von entflammenden Gasen und Flüssigkeiten (z. B. Kraftstoff, Alkohol usw.) und von anderen brennbaren Materialien.
- △ Leeren Sie die Asche erst, wenn alle Holzkohle vollständig verbrannt und erloschen ist und der Grill abgekühlt ist.
- △ Geben Sie die Holzkohle immer in die Char-Baskets™ oder auf den unteren (Holzkohle-)Rost. Geben Sie die Holzkohle nicht direkt auf den Boden der Kugel.
- △ Tragen Sie während des Anzündens oder der Verwendung des Grills keine Kleidung mit locker fliegenden Ärmeln.
- △ Lehnen Sie sich beim Zünden des Gasbrenners niemals über den Grill.
- △ Verwenden Sie den Grill nicht bei starkem Wind.
- △ Betreiben Sie den Grill nicht mit einem Gasleck.
- △ Suchen Sie niemals mit einer offenen Flamme nach Gaslecks.
- △ Sollte der Brenner während des Betriebs erlöschen, schließen Sie das Ventil an der Flasche. Nehmen Sie den Deckel ab und warten Sie fünf Minuten, bevor Sie versuchen, den Brenner anhand der in diesem Handbuch aufgeführten Anleitung zum Zünden erneut zu zünden.
- △ Versuchen Sie nicht, während des Gebrauchs des Grills den Gasregler von der Flasche oder sonstige Montageteile der Gasleitung zu demontieren.
- △ Verwenden Sie ausschließlich den mit dem Grill gelieferten Druckregler.

#### △ WARNHINWEISE

- △ Folgen Sie den für Ihren Gasgrill angegebenen Anleitungen zum Anschluss des Gasdruckreglers.
- △ Lagern Sie keine nicht angeschlossenen Flüssiggas-Einwegkartuschen zur Reserve unter oder in der Nähe dieses Grills.
- △ Platzieren Sie den Grill stets auf einer sicheren, ebenen Fläche, die frei von brennbaren Materialien ist.
- △ Legen Sie im Ablagebereich oder im Grill keine Grillabdeckung oder andere entflammbare Gegenstände ab.
- △ Nehmen Sie immer den Deckel ab, bevor Sie den Gasbrenner von Hand oder mit Hilfe der Zündeinrichtung anzünden. Der Deckel muss ABGENOMMEN bleiben, bis die Holzkohle vollständig angezündet ist.
- △ Probieren Sie niemals durch Berühren von Grill- oder Holzkohlerosten, von Asche, Holzkohle oder des Grills, ob diese warm sind.
- △ Verwenden Sie keine Lava- oder Holzkohlebrocken in diesem Grill.
- △ Verwenden Sie zum Regeln von Stichflammen oder der Glut niemals Wasser. Durch das Löschen mit Wasser kann die porzellanemaillierte Oberfläche beschädigt werden. Schließen Sie die unteren Lüftungsschieber leicht und setzen Sie den Deckel auf die Kugel.
- △ Löschen Sie die Kohle nach Abschluss des Garens. Schließen Sie alle Lüftungsschieber, nachdem Sie den Deckel auf der Kugel aufgesetzt haben.
- △ Beim Zubereiten von Speisen, Einstellen der Luftöffnungen, Nachlegen von Holzkohle und beim Umgang mit dem Thermometer oder Deckel sollten Sie immer Grillhandschuhe tragen.
- △ Verwenden Sie das richtige Grillbesteck mit langen, hitzebeständigen Griffen.
- △ Einige Modelle verfügen über einen Tuck-Away™-Deckelhalter. Im Tuck-Away™-Deckelhalter können Sie den Deckel ablegen, so haben Sie zum Überprüfen oder Wenden des Grillguts beide Hände frei. Verwenden Sie den Tuck-Away™-Deckelhalter weder zum Anheben noch zum Bewegen des Grills. Legen Sie den heißen Deckel nicht auf empfindlichen Fußböden oder im Gras ab. Hängen Sie den Deckel nicht an den Griff des Grills.

## GEFAHRENHINWEISE UND WARNUNGEN (FORTSETZUNG)

- ⚠ **Entsorgen Sie niemals heiße Asche oder noch glühende Briketts. Es besteht Brandgefahr. Entsorgen Sie Asche und Kohlereste erst dann, wenn diese vollständig erloschen und abgekühlt sind. Bewegen Sie den Grill erst, wenn Glut oder Asche vollständig abgekühlt und erloschen sind.**
- ⚠ **Beachten Sie bei Verwendung einer elektrischen Anzündhilfe immer die beiliegende Bedienungsanleitung.**
- ⚠ **Halten Sie Elektrokabel fern von den heißen Flächen des Grills und von stark frequentierten Bereichen.**
- ⚠ **Prüfen Sie nach längerer Lagerung oder längerem Nichtgebrauch den Gasgrill vor Gebrauch auf Gaslecks und auf Verstopfung des Brenners. Die korrekte Anleitung dazu finden Sie in dieser Bedienungsanleitung.**
- ⚠ **Der Umbau des Grills auf Erdgas und der Versuch, Erdgas mit diesem Grill zu nutzen, sind gefährlich und führen zum Verlust der Garantie.**
- ⚠ **Eine verbeulte oder rostige Einweg-Kartusche für Flüssiggas kann Gefahren verursachen und sollte von Ihrem Propangashändler geprüft werden. Verwenden Sie keine Flüssiggas-Einwegkartuschen mit beschädigtem Ventil.**
- ⚠ **Auch in einer scheinbar leeren Flüssiggas-Einwegkartusche kann noch Gas enthalten sein. Diese Flüssiggas-Einwegkartuschen sind entsprechend zu transportieren und zu lagern.**
- ⚠ **Wenn Sie sehen, riechen oder hören, dass Gas aus der Flüssiggas-Einwegkartusche entweicht:**
  1. **Halten Sie Abstand zu dieser Flüssiggas-Einwegkartusche.**
  2. **Versuchen Sie nicht selbst, das Problem zu beheben.**
  3. **Informieren Sie die Feuerwehr.**

### ⚠ ACHTUNG!

- ⚠ **Durch Auskleiden der Grillkammer mit Aluminiumfolie wird der Luftstrom behindert. Verwenden Sie stattdessen bei der indirekten Methode Tropfschalen, um aus dem Fleisch heraustropfenden Saft aufzufangen.**
- ⚠ **Verwenden Sie keine scharfen Gegenstände zum Reinigen der Grillroste oder zum Entfernen der Asche. Die Oberfläche kann sonst beschädigt werden.**
- ⚠ **Verwenden Sie keine scharfen Reiniger auf den Grillrosten oder dem Grill. Die Oberfläche kann sonst beschädigt werden.**
- ⚠ **Der Grill muss regelmäßig gründlich gereinigt werden.**

## GARANTIE

Weber-Stephen Products LLC (Weber®) garantiert hiermit dem ORIGINALABNEHMER dieses Weber®-Gasgrills, dass der Grill vom Tage des Erwerbs folgende Zeiten frei von Materialfehlern und Verarbeitungsfehlern ist:

<b>Grill- / Holzkohleroste</b>	<b>2 Jahre</b>
<b>Aluminiumbeschichtete Blätter/beschichtete Teile</b>	
<b>One-Touch™-Reinigungssystem</b>	<b>5 Jahre</b>
<b>One-Touch™-Reinigungssystem aus Edelstahl</b>	<b>10 Jahre</b>
<b>Kugel und Deckel gegen Rost und Durchbrennen</b>	<b>10 Jahre</b>
<b>Nylongriffe</b>	<b>10 Jahre</b>
<b>Teile aus Thermoplast/Duroplast (Performer®)</b>	<b>10 Jahre,</b>
	<b>außer</b>
	<b>Verfärbungen</b>
<b>Alle übrigen Teile</b>	<b>2 Jahre</b>

Dies gilt nur, wenn der Grill entsprechend der mit dem Grill gelieferten Anleitungen montiert und betrieben wird. Weber hat das Recht, einen Beleg für das Kaufdatum zu verlangen. BEWAHREN SIE DAHER DEN KAUFBELEG BZW. DIE RECHNUNG AUF.

Diese eingeschränkte Garantie ist beschränkt auf die Reparatur oder den Ersatz von Teilen, die sich unter normalem Gebrauch und Service als mangelhaft erwiesen haben und die sich bei einer Prüfung in der Überzeugung von Weber als mangelhaft erwiesen haben. Wenden Sie sich an den für Sie zuständigen Händler, bevor Sie Teile einsenden. Allgemeine Kontaktinformationen finden Sie auf unserer Website. Wenn Weber den Mangel bestätigt und Ihre Ansprüche anerkennt, entscheidet sich Weber für den kostenlosen Ersatz derartiger Teile. Wenn Sie aufgefordert werden, mangelhafte Teile einzusenden, sind die Frachtkosten vom Einsender voranzubehalten. Weber sendet Teile an den Käufer zurück und bezahlt die Fracht- oder Postgebühren voraus.

Diese eingeschränkte Garantie umfasst nicht Mängel oder Probleme beim Betrieb aufgrund von Unfall, Missbrauch, Zweckentfremdung, Veränderungen, Fehlanwendung, Vandalismus, unsachgemäßer Installation oder unsachgemäßer Wartungs- und Servicearbeiten oder aufgrund des Vernachlässigens normaler und routinemäßiger Wartung. Dies gilt auch für Schäden, die, wie in dieser Bedienungsanleitung beschrieben, durch Insekten in den Brennerleitungen verursacht wurden, ohne auf diese Schäden beschränkt zu sein.

Verschleiß oder Schäden aufgrund von harten Wetterbedingungen, wie Hagel, Wirbelstürme, Erdbeben oder Tornados, und Verfärbungen aufgrund Einsatzes von Chemikalien, entweder direkt oder über die Atmosphäre, sind nicht durch diese eingeschränkte Garantie abgedeckt.

Außer den hier aufgeführten Garantien werden hiermit ausdrücklich keine weiteren Garantien gegeben. Alle zutreffenden implizierten Garantien bezüglich der Handelbarkeit und Tauglichkeit sind in ihrer Dauer beschränkt auf die Gültigkeitsdauer dieser ausdrücklichen, schriftlichen begrenzten Garantie. In einigen Ländern ist die Einschränkung der Gültigkeitsdauer impliziter Garantien nicht zulässig. Diese Einschränkung ist somit möglicherweise nicht für Sie gültig.

Weber ist für jegliche speziellen, indirekten oder Folgeschäden nicht haftbar. In einigen Ländern ist der Ausschluss bzw. die Einschränkung von zufälligen und Folgeschäden nicht zulässig. Diese Einschränkung bzw. dieser Ausschluss ist somit möglicherweise nicht für Sie gültig.

Weber autorisiert keine Person und kein Unternehmen, im Namen von Weber beliebige weitere Pflichten oder Haftbarkeiten in Verbindung mit dem Verkauf, der Installation, der Verwendung, der Demontage, der Rückgabe oder des Austauschs von Geräten und Anlagen von Weber einzugehen, und Weber ist an derartige Darstellungen nicht gebunden.

Diese Garantie gilt nur für Produkte, die im Einzelhandel vertrieben wurden.

**Besuchen Sie uns im Internet unter [www.weber.com](http://www.weber.com)®, wählen Sie Ihr Herkunftsland aus und registrieren Sie Ihren Grill noch heute.**

### ERSATZSCHLAUCH MIT DRUCKREGLER UND REGELVENTILEINHEIT

- ⚠ **WICHTIGER HINWEIS: Wir empfehlen, dass Sie die Gasschlauch-Baugruppe Ihres Weber-Gasgrills aller 5 Jahre austauschen. In einigen Ländern wird vorgeschrieben, dass der Gasschlauch in weniger als 5 Jahren ersetzt werden muss; diese nationalen Vorschriften haben Vorrang.**

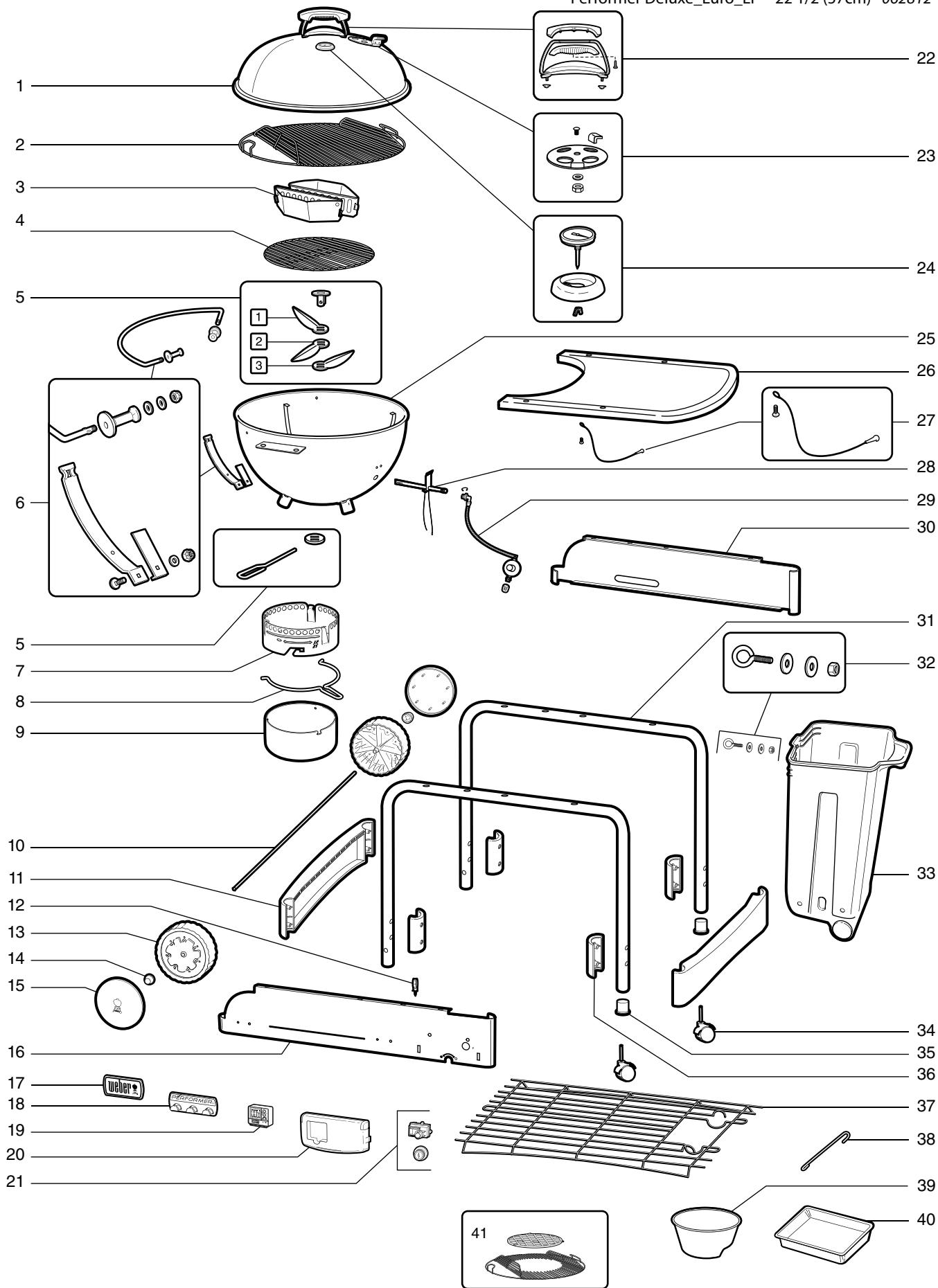
**Wenden Sie sich für einen Ersatzschlauch mit Druckregler und Regelventileinheit an den für Sie zuständigen Händler oder Gasinstallateur. Die Kontaktinformationen der Händler finden Sie auf unserer Website unter [www.weber.com](http://www.weber.com)®.**

### LAND

### GASART UND GASDRUCK

Dänemark, Schweden, Norwegen, Finnland, England, Niederlande, Großbritannien, Frankreich, Spanien, Portugal, Belgien, Irland, Griechenland, Luxemburg, Italien, Deutschland, Österreich, Schweiz	<b>I<sub>3B/P</sub> - 29 mbar</b>				
<b>VERBRAUCHSDATEN</b>					
Zünden des Brenners, Max.					
Propan/ Butangemisch	<table style="width: 100%; border-collapse: collapse;"> <tr> <td style="width: 50%;"><b>kW/h</b></td> <td style="width: 50%;"><b>g/h</b></td> </tr> <tr> <td style="text-align: center;">2,6</td> <td style="text-align: center;">192</td> </tr> </table>	<b>kW/h</b>	<b>g/h</b>	2,6	192
<b>kW/h</b>	<b>g/h</b>				
2,6	192				

Performer Deluxe\_Euro\_LP - 22 1/2 (57cm) 062812





- |                                          |                               |                                          |
|------------------------------------------|-------------------------------|------------------------------------------|
| 1. Deckel                                | 15. Radkappe                  | 29. Schlauch und Regler mit Düsenklammer |
| 2. Klapp-Grillrost                       | 16. Vordere Blende            | 30. Rückwand                             |
| 3. Char-Baskets™                         | 17. Logoblende                | 31. Rahmen                               |
| 4. Holzkohlerost                         | 18. Besteckhaken              | 32. CharBin™-Befestigungsteile           |
| 5. One-Touch™-Reinigungssystem           | 19. Digitaler Gartimer        | 33. CharBin™-Vorratsbehälter             |
| 6. Deckelhalter und Führung              | 20. Abdeckung für Gasregelung | 34. Lenkrollen feststellbar              |
| 7. Haltering für Aschetopf               | 21. Zündtaste / Zündmodul     | 35. Einsätze für Lenkrollen              |
| 8. Griff für Aschetopf                   | 22. Deckelgriff               | 36. Rahmen                               |
| 9. Aschetopf mit großem Fassungsvermögen | 23. Deckellüfter              | 37. Ablagegitter                         |
| 10. Achse                                | 24. Thermometer               | 38. Zündholzhalter                       |
| 11. Seitenstrebe für Rahmen              | 25. Kessel                    | 39. Brikett-Portionierer                 |
| 12. Führung für Zünderkabel              | 26. Ablage                    | 40. Herausnehmbare Fettauffangtrichter   |
| 13. Rad                                  | 27. CharBin™-Halteseil        |                                          |
| 14. Befestigungskappe Rad                | 28. Brenner                   |                                          |

**KANN ENTHALTEN:**

41. Gusseiserner Rosteinsatz, Grillrost klappbar (Sear Station)

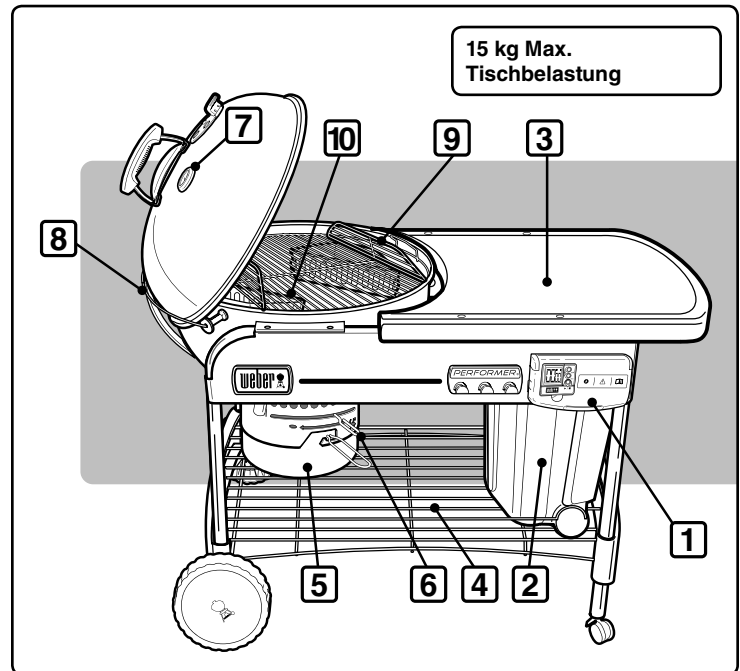
Wenn Sie Rat benötigen oder Fragen zum sicheren Umgang mit Ihrem Grill haben, wenden Sie sich bitte an Ihren Händler oder besuchen unsere Website [www.weber.com](http://www.weber.com).

- Mit dieser Anleitung haben Sie alle notwendigen Informationen für den Zusammenbau Ihres Weber®-Grills. Bitte lesen Sie vor der Benutzung Ihres Weber®-Grills diese Anleitung sorgfältig durch. Bei einem unsachgemäßen Zusammenbau kann es zu Unfällen kommen.
- Gebrauch durch Kinder verboten.
- Dieser Weber®-Grill ist ausschließlich für die Verwendung von Propangas oder von einem Propan/Butan-Gasgemisch ausgelegt. Betreiben Sie den Grill nicht mit Erdgas. Ventil und Regler sind ausschließlich für Propangas oder für ein Propan/Butan-Gasgemisch ausgelegt.
- Dieser Weber®-Gasgrill ist nicht für den gewerblichen Einsatz vorgesehen.

- Durch den Konsum von Alkohol und/oder verschreibungspflichtigen oder nicht verschreibungspflichtigen Medikamenten kann die Fähigkeit des Anwenders zum ordnungsgemäßen Zusammenbau und zum sicheren Bedienen des Grills beeinträchtigt werden.
- Dieser Weber®-Grill ist keine Heizung und darf nicht als Heizung verwendet werden.
- Lassen Sie den Weber®-Grill nie unbeaufsichtigt. Halten Sie Kinder und Haustiere zu jeder Zeit vom Weber®-Grill fern.
- Überprüfen Sie, ob der Raum unter dem Bedienfeld und der Bodenablage frei von Gegenständen ist, welche die Zirkulation der Verbrennungsluft oder der Ventilationsluft behindern könnten.
- Alle vom Hersteller verplombten Bauteile dürfen nicht vom Anwender verändert werden.
- Jegliche Veränderungen am Gerät können zu Unfällen führen.

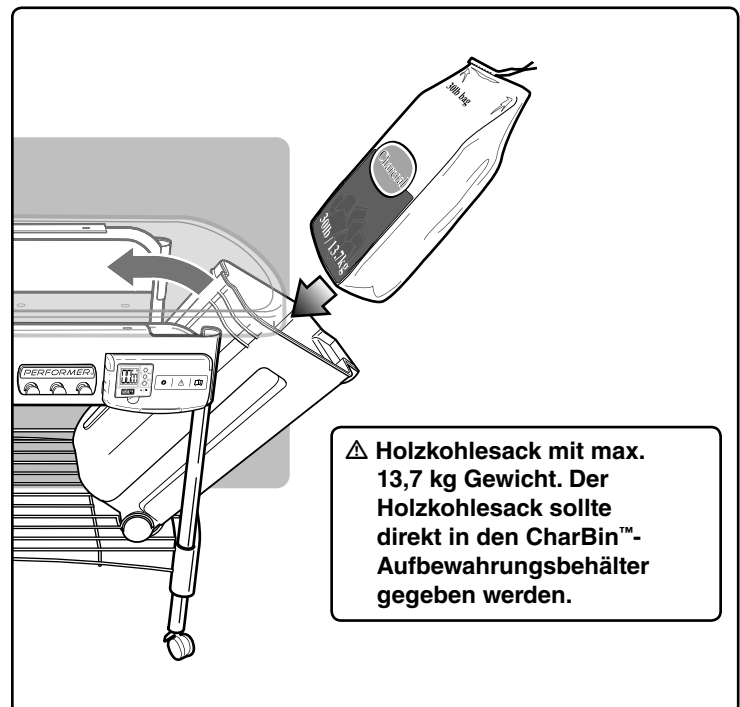
## EIGENSCHAFTEN

- Exklusives Touch-N-Go™ Gaszündsystem vermeidet Probleme beim Anzünden der Holzkohlebriketts (1). Halten Sie einfach den Knopf gedrückt, und der Gasbrenner des Geräts zündet. Dadurch wird die Kohle angezündet. Somit ist kein Gebrauch oder Lagerung von gefährlichen flüssigen Anzündern nötig.
- Der CharBin™-Aufbewahrungsbehälter nimmt einen Sack Holzkohlebrikett mit einem Gewicht von maximal 13,7 kg auf (2). Der Holzkohlesack sollte direkt in den CharBin™-Aufbewahrungsbehälter gegeben werden.
- Die Arbeitsfläche aus hitzebeständigem Thermoplast dient als hervorragender Arbeitsplatz und schützt den CharBin™-Aufbewahrungsbehälter (3). So bleiben die Briketts trocken.
- Komfortable Bodenablage zur Aufbewahrung von Zubehör (4).
- Aschebehälter mit großem Fassungsvermögen rastet ein und verhindert das Fortwehen von Asche (5).
- One-Touch®-Reinigungssystem erleichtert das Entfernen der Asche und das Öffnen und Schließen der Luftöffnungen (6).
- Ein Thermometer überwacht die Gartemperatur im Inneren des Grills (7).
- Deckel gleitet in den Tuck-Away™ Deckelhalter aus Edelstahl und dient als Windschutz beim Anzünden der Briketts (8).
- Klappbarer Grillrost ermöglicht ein einfaches Nachlegen von Briketts oder Holzspänen während des Grillens (9).
- Char-Basket™-Holzkohlekörbe ermöglichen ein komfortables indirektes oder ein direktes Garen mit Briketts oder Holzkohle (10).



## BETRIEBBEREICH

- ⚠ **WARNHINWEIS:** Verwenden Sie diesen Grill ausschließlich im Freien an einem gut belüfteten Ort. Verwenden Sie den Grill nicht in einer Garage, in einem Gebäude, in Verbindungsgängen zwischen Gebäuden oder an anderweitig umbauten Orten.
- ⚠ **WARNHINWEIS:** Auch zugängliche Teile des Grills können sehr heiß sein. Halten Sie Kleinkinder vom Grill fern.
- ⚠ Betreiben Sie den Grill niemals unter brennbaren Dächern, Unterständen usw.
- ⚠ Der Weber®-Grill ist nicht für die Montage in oder auf Caravans, Campingwagen und/oder Booten vorgesehen.
- ⚠ Gehen Sie in einer Entfernung von 60 cm über, unter, hinter dem Grill oder seitlich des Grills nicht mit brennbaren Materialien um.
- ⚠ Der gesamte Grill erwärmt sich bei Gebrauch stark. Lassen Sie den Grill nicht unbeaufsichtigt.
- ⚠ Halten Sie elektrische Leitungen und Kabel und den Gasschlauch von heißen Flächen fern.
- ⚠ Halten Sie die Grillfläche frei von entflammenden Gasen und Flüssigkeiten (z. B. Kraftstoff, Alkohol usw.) und von anderen brennbaren Materialien.
- ⚠ Transportieren Sie den Grill nicht während des Gebrauchs. Warten Sie, bis der Grill abgekühlt ist, bevor Sie ihn transportieren.
- ⚠ Dieser Grill ist keine Heizung und darf nicht als Heizung verwendet werden.



**ANSCHLIESSEN DER FLÜSSIGGAS-EINWEGKARTUSCHE**

Verwenden Sie Flüssiggas-Einwegkartuschen mit einem minimalen Füllgewicht von 430 g und einem maximalen Füllgewicht von 460 g. Die Kartusche muss, wie dargestellt, über ein Ventil EN417 verfügen (Schraubgewinde). Verwendbare Kartuschenarten sind z.B. eine Einwegkartusche Weber Q Gas (Art.Nr. 26100) oder eine Primus, Modell 2202.

**⚠ VORSICHT: Verwenden Sie nur Gaskartuschen mit der Kennzeichnung Propangas oder Propan-Butan-Gemisch.**

Drücken Sie die Flüssiggas-Einwegkartusche in den Regler und drehen Sie die Kartusche im Uhrzeigersinn, bis sie fest sitzt.

**⚠ WARNHINWEIS: Ziehen Sie die Kartusche nur handfest an. Bei Anwendung zu großer Kraft kann der Regleranschluss beschädigt werden. Dadurch könnte Gas austreten oder der Gasdruck wird zu gering.**

**PRÜFEN AUF GASLECKS:****⚠ GEFAHRENHINWEIS**

**Suchen Sie niemals mit einer offenen Flamme nach Gaslecks. Stellen Sie vor der Überprüfung auf Lecks sicher, dass sich in der Nähe keine Funken bilden können und keine offenen Flammen befinden. Funken oder Flammen können eine Explosion auslösen, die zu schweren oder gar tödlichen Verletzungen und zu Sachschäden führen kann.**

Sie benötigen Folgendes: Flüssiggas-Einwegkartusche, eine Seifenlösung und einen Lappen oder eine Bürste zum Auftragen der Lösung.

- Mischen Sie Seife oder Spülmittel in das Wasser.
- Drehen Sie den Gasregler entgegen der Uhrzeigerichtung auf AN.
- Überprüfen Sie auf Lecks. Befeuchten Sie dazu die Armatur mit der Seifenlösung und schauen Sie nach Blasen. Wenn sich Blasen bilden oder wenn eine Blase größer wird, ist ein Leck vorhanden.

**PRÜFEN SIE:**

- Verbindung zwischen Regler und Flüssiggas-Einwegkartusche

**⚠ WARNHINWEIS: Wenn an Verbindung (1) ein Leck vorhanden ist, bauen Sie die Flüssiggas-Einwegkartusche aus. Betreiben Sie den Grill nicht. Setzen Sie eine andere Flüssiggas-Einwegkartusche ein und prüfen Sie erneut mit Hilfe der Seifenlösung auf Lecks. Wenn auch nach dem erneuten Festschrauben der Flüssiggaskartusche ein Leck vorhanden ist, drehen Sie das Gas AUS. BETREIBEN SIE DEN GRILL NICHT. Wenden Sie sich an den für Sie zuständigen Händler oder Gasinstallateur. Die Kontaktinformationen der Händler finden Sie auf unserer Website unter [www.weber.com](http://www.weber.com).**

**PRÜFEN SIE:**

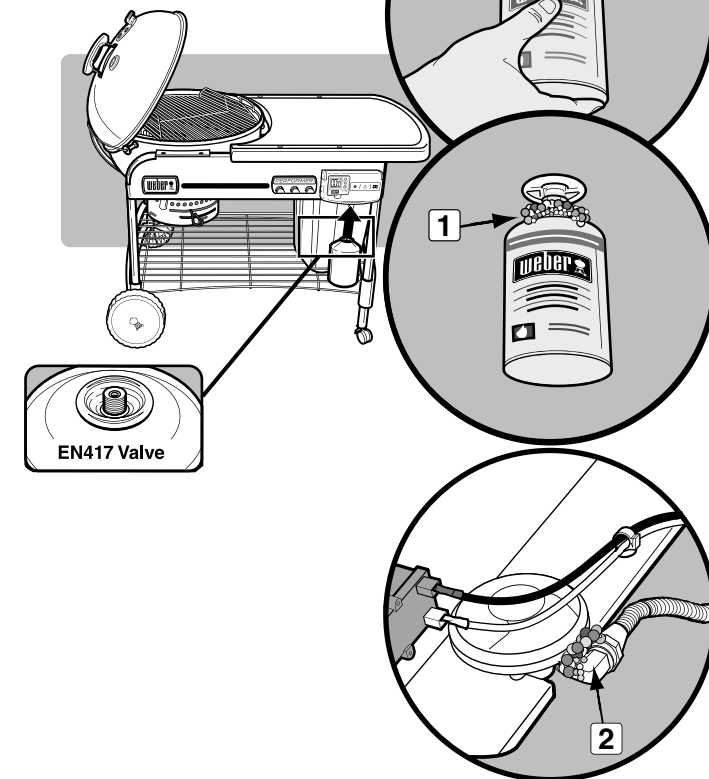
- Verbindungen vom Ventil zum Regler.

**⚠ WARNHINWEIS: Wenn an Verbindung (2) ein Leck vorhanden ist, drehen Sie das Gas AUS. BETREIBEN SIE DEN GRILL NICHT. Wenden Sie sich an den für Sie zuständigen Händler. Allgemeine Kontaktinformationen finden Sie auf unserer Website unter [www.weber.com](http://www.weber.com).**

Drehen Sie nach Beendigung der Lecktests die Gaszufuhr an der Quelle AUS und reinigen Sie die Verbindungen mit Wasser.

**⚠ GEFAHRENHINWEIS**

**Lagern Sie keine Flüssiggaskartusche zur Reserve unter diesem Gerät oder in der Nähe des Geräts.**



## ZÜNDUNG

## ⚠ GEFAHRENHINWEIS

Öffnen Sie vor dem Zünden den Deckel. Verwenden Sie niemals brennbare Flüssigkeiten wie z.B. Grillkohleanzünder, Kraftstoff, Alkohol und keine mit Anzündmittel imprägnierte Holzkohle, auch nicht beim manuellen Zünden. Anderenfalls kann es zu schweren oder gar tödlichen Verletzungen kommen.

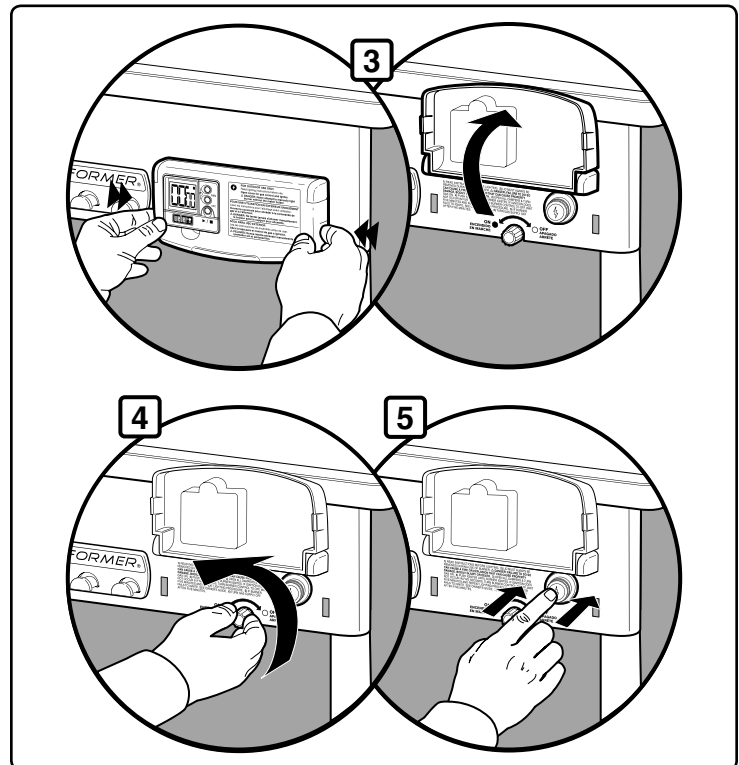
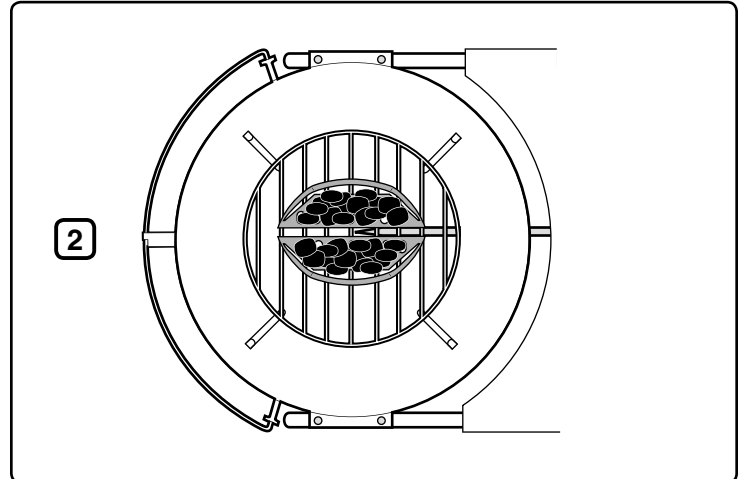
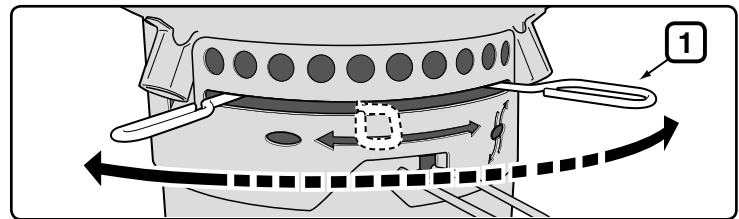
- A) Nehmen Sie vor dem Zünden mit Gas den Deckel ab.
- ⚠ **GEFAHRENHINWEIS: Anderenfalls kann der Gasschlauch beschädigt werden, und es kann zu einem Brand oder einer Explosion und infolge dessen zu schweren oder gar tödlichen Verletzungen und zu Sachschäden kommen.**
- B) Öffnen Sie die Lüftungsflügel am Boden in der Kugel (1).
- C) Setzen Sie die Char-Baskets™ über den Brenner (2).
- D) Drücken Sie die Verriegelungen der Abdeckung für den Gasregler ein (3) und heben Sie diese zum Öffnen an.
- E) Drehen Sie die Gaszufuhr mindestens eine volle Drehung auf (entgegen dem Uhrzeigersinn) (4).
- ⚠ **WARNHINWEIS: Beugen Sie sich beim Zünden nicht über den offenen Grill.**
- F) Halten Sie den Zündknopf gedrückt, bis der Brenner zündet (5).
- ⚠ **ACHTUNG: Im hellen Tageslicht ist die Flamme möglicherweise schwer zu sehen.**
- G) Wenn die Kohle gezündet hat (ca. 5 Minuten), drehen Sie den Gasregler in Stellung AUS (im Uhrzeigersinn), bis er geschlossen ist.
- ⚠ **ACHTUNG: Stellen Sie sicher, dass die Abdeckung vollständig geschlossen ist.**

*Hinweis - Längerer Betrieb des Brenners führt zu einem höheren Verbrauch von Gas.*

- H) Sie können mit dem Zubereiten von Speisen beginnen, wenn die Kohlen mit einer leichten Ascheschicht überzogen sind (gewöhnlich nach 25 bis 30 Minuten).

**SO LÖSCHEN SIE DIE BRENNER**

Drehen Sie den Gasregler in Stellung AUS (im Uhrzeigersinn), bis er geschlossen ist.



## MANUELLES ZÜNDEN

⚠ **WARNHINWEIS:** Versuchen Sie eine manuelle Zündung niemals ohne Zündholzhalter.

⚠ **GEFAHRENHINWEIS**

Öffnen Sie vor dem Zünden den Deckel. Verwenden Sie niemals brennbare Flüssigkeiten wie z.B. Grillkohleanzünder, Kraftstoff, Alkohol und keine mit Anzündmittel imprägnierte Holzkohle, auch nicht beim manuellen Zünden. Anderenfalls kann es zu schweren oder gar tödlichen Verletzungen kommen.

A) Nehmen Sie vor dem Zünden mit Gas den Deckel ab.

⚠ **GEFAHRENHINWEIS:** Anderenfalls kann der Gasschlauch beschädigt werden, und es kann zu einem Brand oder einer Explosion und infolge dessen zu schweren oder gar tödlichen Verletzungen und zu Sachschäden kommen.

B) Öffnen Sie die Lüftungsflügel am Boden in der Kugel (1).

C) Nehmen Sie die Char-Baskets™ vom Brenner weg (2).

D) Drücken Sie die Verriegelungen der Abdeckung für den Gasregler ein (3) und heben Sie diese zum Öffnen an.

E) Befestigen Sie ein Zündholz im Zündholzhalter (4). Zünden Sie das Zündholz an.

F) Drehen Sie die Gaszufuhr mindestens eine volle Drehung auf (entgegen dem Uhrzeigersinn) (5).

G) Halten Sie die Flamme des Zündholzes an die Rückseite der Brenneröffnung (6).

⚠ **WARNHINWEIS:** Halten Sie Ihre Hand beim manuellen Zünden nicht direkt über den Brenner.

⚠ **WARNHINWEIS:** Beugen Sie sich beim Zünden nicht über den offenen Grill.

⚠ **ACHTUNG:** Im hellen Tageslicht ist die Flamme möglicherweise schwer zu sehen.

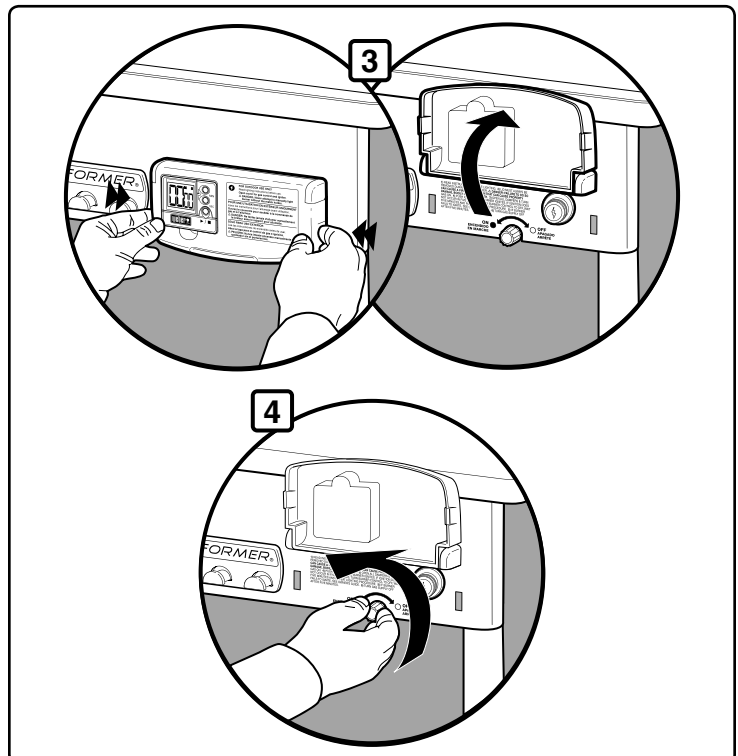
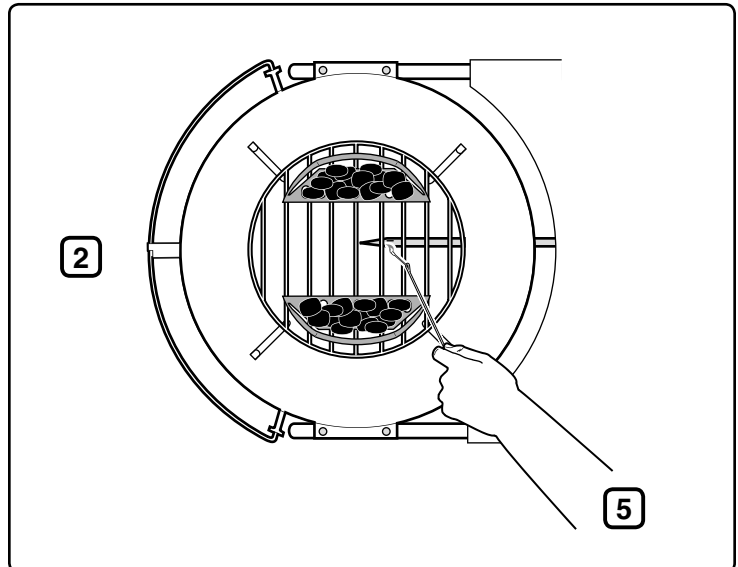
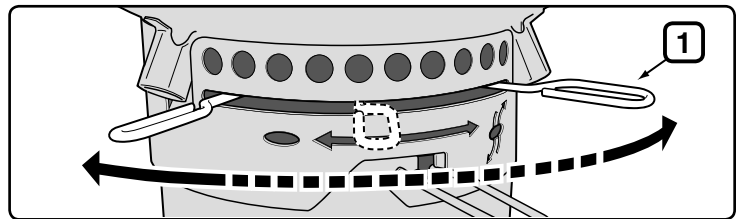
H) Tragen Sie Grillhandschuhe und bringen Sie die Char-Baskets™ mit Hilfe von Zangen wieder über den Brenner.

I) Drehen Sie den Gasregler nach dem Anzünden der Holzkohle (nach ca. 5 Minuten) AUS (im Uhrzeigersinn) bis er vollständig geschlossen ist.

J) Sie können mit dem Zubereiten von Speisen beginnen, wenn die Kohlen mit einer leichten Ascheschicht überzogen sind (gewöhnlich nach 25 bis 30 Minuten).

## SO LÖSCHEN SIE DIE BRENNER

Drehen Sie den Gasregler in Stellung AUS (im Uhrzeigersinn), bis er geschlossen ist.



## BEDIENUNG DES TIMERS

Dieser wasserfeste, digitaler Gartimer bietet Countup- und Countdown-Funktionen in Minuten und Sekunden.

### Einstellen der Countdown-Zeit:

- Drücken Sie die Taste **MIN** (1), um die Minuten einzustellen. Halten Sie die Taste für einen schnellen Vorlauf der Ziffern gedrückt (maximale Einstellung: 99 Minuten (4)).
- Drücken Sie die Taste **SEC** (2), um die Sekunden einzustellen. Halten Sie die Taste für einen schnellen Vorlauf der Ziffern gedrückt (maximale Einstellung: 59 Sekunden (5)).
- Drücken Sie die Taste **Start / Stop**: ► / ■ (3).
- Wenn die gewünschte Zeit erreicht ist, ertönt 30 Sekunden lang der Alarm, und der Countdown startet automatisch ab der letzten Zeiteinstellung.

### Einstellen der Countup-Zeit:

- Drücken Sie die Taste **Start / Stop**: ► / ■ Während des Hochzählens zeigt das Display die Zeit in Minuten und Sekunden an.
- Drücken Sie die Taste erneut, um die Zeitschaltuhr zu stoppen. (Maximale Einstellung: 99 Minuten (4), 59 Sekunden (5)).

### Löschen der Zeit:

- Drücken Sie die Tasten **MIN** und **SEC**: ↻ gleichzeitig (1)(2).

*Hinweis: Bei Verwendung in einer Umgebung, in welcher die Zeitschaltuhr elektrostatischen Entladungen ausgesetzt ist, geht die Zeiteinstellung möglicherweise verloren. Setzen Sie in diesem Fall die Zeitschaltuhr zurück, und geben Sie die Zeiteinstellung erneut ein.*

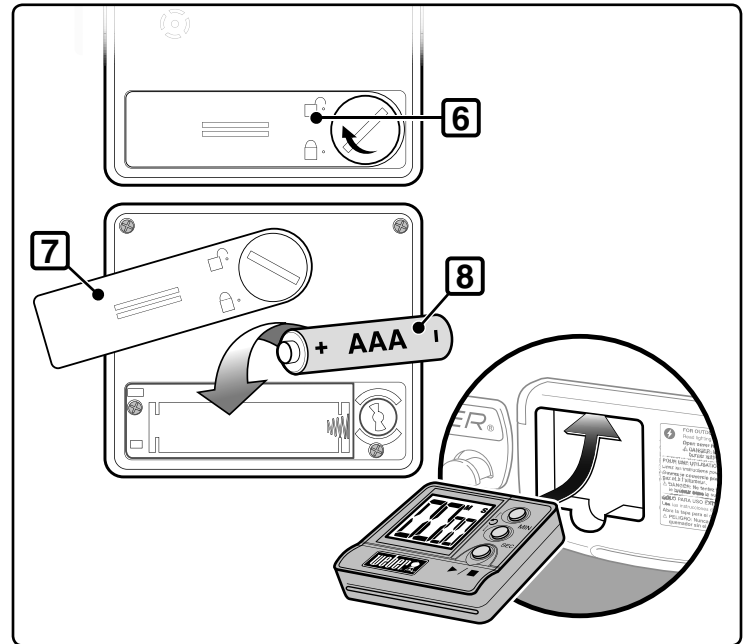
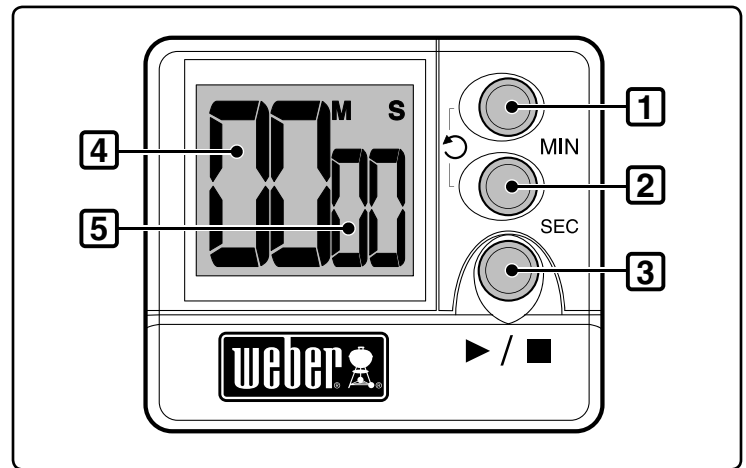
### Einsetzen der Batterie:

- Öffnen Sie die Batterieabdeckung auf der Rückseite der Zeitschaltuhr (6) durch Drehen im Uhrzeigersinn.
- Entfernen Sie die Batteriefachabdeckung auf der Rückseite der Zeitschaltuhr (7).
- Setzen Sie eine neue AAA-Batterie ein (8).
- Setzen Sie die Batterieabdeckung wieder auf.
- Verriegeln Sie die Batterieabdeckung durch Drehen im Gegenuhrzeigersinn.
- Nach dem Batteriewechsel wird auf dem LCD-Display (0000) angezeigt.

### Pflege des Geräts:

- Reinigen Sie das Gerät nicht mit scheuernden oder ätzenden Mitteln, die die Teile des Geräts verkratzen und die elektronischen Schaltkreise korrodieren können.
- Setzen Sie das Gerät keinen extremen Kräften, Erschütterungen, Staub, Temperaturen oder Feuchtigkeit aus, die zu Fehlfunktionen des Geräts, einer verkürzten Lebensdauer der Elektronik, einer Beschädigung der Batterie und verbogenen Teilen führen können.
- Nehmen Sie keine Veränderungen an den internen Bauteilen des Geräts vor. Dadurch erlischt die Garantie für das Gerät, und es können unnötige Schäden an der Batterie und den internen Bauteilen entstehen.
- Schützen Sie das Gerät vor übermäßiger direkter Sonneneinstrahlung und Starkregen.
- Tauchen Sie das Gerät nicht in Wasser ein.

**Für eine optimale Leistung des Timers empfiehlt es sich, diesen im Haus zu behalten, wenn er nicht verwendet wird.**



PROBLEM	PRÜFEN SIE	ABHILFE
Der Brenner brennt mit einer gelben oder orangefarbenen Flamme, gleichzeitig ist Gasgeruch wahrnehmbar.	Untersuchen Sie den Brenner auf möglicherweise vorhandene Verstopfungen.	Reinigen Sie den Brenner. (Siehe Abschnitt "Wartung")
Der Brenner zündet nicht oder die Flamme ist schwach.	Ist die Gaskartusche leer oder fast leer?	Tauschen Sie die Gaskartusche aus.
	Ist der Brennstoffschlauch gebogen oder abgeknickt?	Biegen Sie den Brennstoffschlauch gerade.
	Lässt sich der Brenner mit einem Zündholz anzünden?	Wenn Sie den Brenner mit einem Zündholz anzünden können, prüfen Sie das Zündsystem.
	Ist die Verbindung zwischen Schlauch und Brennerrohr ordnungsgemäß gesichert?	Schließen Sie den Gasschlauch mit der mitgelieferten Halteklammer aus Metall an das Brennerrohr an. <b>⚠ GEFAHRENHINWEIS: Verwenden Sie die Gaszündung nicht, wenn die Halteklammer fehlt. Eine fehlende Halteklammer kann zu schweren und sogar tödlichen Verletzungen und zu Sachschäden führen.</b> Wenden Sie sich an den Kundendienst, um eine Ersatzklammer zu erwerben.
Das Flammenbild des Brenners ist ungleichmäßig.	Ist der Brenner sauber?	Reinigen Sie den Brenner. (Siehe Abschnitt "Wartung")
Brenner zündet nicht, wenn Sie den Zündknopf drücken.	Stellen Sie sicher, dass ein Gasstrom zu den Brennern vorhanden ist, indem Sie versuchen, mit einem Zündholz zu zünden. Siehe Abschnitt "MANUELLE ZÜNDUNG."	Lässt sich der Brenner manuell zünden, liegt ein Problem mit dem Zündsystem vor. Siehe Abschnitt "BEDIENUNG DES ELEKTRONISCHEN ZÜNDSYSTEMS."
	Ist eine neue Batterie eingesetzt?	Kontrollieren Sie, ob sich die Batterie in gutem Zustand befindet und ordnungsgemäß eingesetzt ist. Siehe Abschnitt "KONTROLLE DER ELEKTRONISCHEN ZÜNDUNG."
	Sind die Kabel ordnungsgemäß an das Zündmodul angeschlossen?	Stellen Sie sicher, dass die Kabel ordnungsgemäß in die Klemmen am Zündmodul eingesteckt sind. Siehe Abschnitt "BEDIENUNG DES ELEKTRONISCHEN ZÜNDSYSTEMS."
	Ist die neue Batterie noch in Kunststoff verpackt?	Entfernen Sie die Kunststoffverpackung.
Der Timer funktioniert nicht.	Ist eine neue Batterie eingesetzt?	Kontrollieren Sie, ob sich die Batterie in gutem Zustand befindet und ordnungsgemäß eingesetzt ist. Siehe Abschnitt "BETRIEB DES TIMERS."
Das Innere des Deckels scheint "abzublättern" (ähnlich wie beim Abblättern von Farbe).	Was Sie da sehen, ist angebackener Fettdampf, der sich in Kohlenstoff verwandelt und abblättert. <b>ES HANDELT SICH HIERBEI NICHT UM EINEN DEFECT.</b>	Reinigen Sie diese Teile gründlich. (Siehe Abschnitt "Reinigen")

Wenn ein Problem auftritt, das Sie nicht mit einer der hier angegebenen Methoden lösen können, wenden Sie sich bitte an den für Sie zuständigen Händler. Allgemeine Kontaktinformationen finden Sie auf unserer Website unter [www.weber.com](http://www.weber.com).

## WARTUNG

Führen Sie nach längerem Nichtgebrauch des Grills aus Sicherheitsgründen die folgenden Wartungsarbeiten aus.

- Überprüfen Sie vor jeder Nutzung des Grills den Schlauch auf Knicke, Risse, Abnutzung oder Einschnitte. Wenn Sie erkennen, dass der Schlauch nicht verwendet werden sollte, dürfen Sie den Grill nicht benutzen. Ersetzen Sie Teile nur durch Weber® zugelassene Ersatzteile. **Wenden Sie sich an den für Sie zuständigen Händler oder Gasinstallateur. Die Kontaktinformationen der Händler finden Sie auf unserer Website unter [www.weber.com](http://www.weber.com).**

**⚠ ACHTUNG: Wenn der Gasschlauch des Grills irgendwelche Schäden aufweist oder undicht ist, dürfen Sie den Grill nicht verwenden.**

- Überprüfen Sie den Brenner auf ein korrektes Flammenmuster (siehe Abschnitt "Muster der Brennerflamme"). Reinigen Sie den Brenner gegebenenfalls anhand des in diesem Abschnitt beschriebenen Verfahrens.
- Überprüfen Sie alle Gasanschlüsse auf Lecks (siehe Abschnitt "Überprüfen auf Gaslecks").

## REGELMÄSSIGE REINIGUNG

Zum Entfernen der Asche aus der Kugel bewegen Sie den Regulierungshebel (1) von Seite zu Seite, damit die One-Touch-Flügel die Asche durch die Schlitze der Kugel in den Aschetopf schieben.

**⚠ ACHTUNG: Stellen Sie vor dem Reinigen sicher, dass der Brenner AUS und der Grill abgekühlt ist.**

Erweitern Sie die Brennerschlitze beim Reinigen nicht.

**So reinigen Sie den Brenner:**

- Bürsten Sie die Außenseite des Brennerrohres (2) und den Brennerschlitz (3) mit einer Drahtbürste ab.

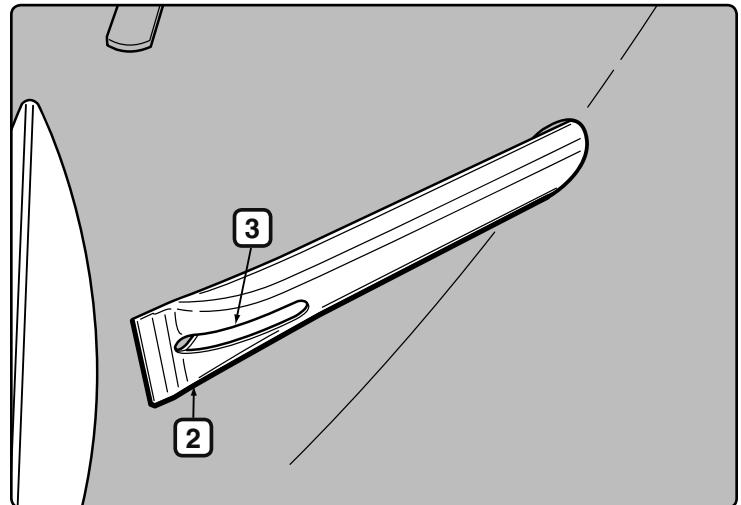
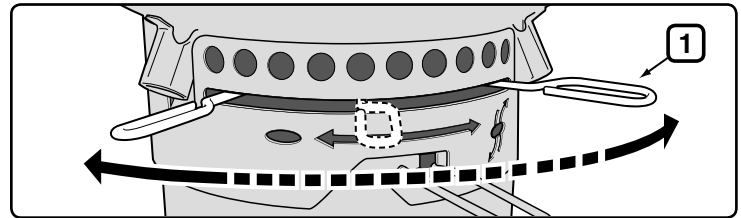
**⚠ ACHTUNG: Erweitern Sie die Brennerschlitze oder die Gasdüse beim Reinigen nicht.**

**So reinigen Sie den Kessel:**

- Wischen Sie, wenn der Deckel noch warm ist, die Innenseite mit einem Papiertuch aus, um dauerhafte Fettablagerung zu verhindern.
- Die Außenflächen können Sie mit warmem Seifenwasser reinigen. Spülen Sie mit klarem Wasser gut nach.

**So nehmen Sie eine gründliche Reinigung vor** (mindestens einmal jährlich):

- Entnehmen Sie die Asche, nachdem die Kohle vollständig erloschen ist.
- Entnehmen Sie die Roste und die Char-Baskets™-Kohlekörbe.
- Wischen Sie die Flächen mit Papiertüchern ab. Reinigen Sie mit einem milden Reinigungsmittel und Wasser. Spülen Sie gründlich mit klarem Wasser nach und trocknen Sie die Flächen ab.



## AUFBEWAHRUNG

- Wenn der Performer-Grill in einem Gebäude aufbewahrt wird, muss die Gaszufuhr abgetrennt werden. Die Flüssiggaskartusche muss außerhalb von Wohngebäuden an einem gut belüfteten Ort aufbewahrt werden.
- Flüssiggaskartuschen müssen außerhalb von Wohngebäuden an einem gut belüfteten Ort und außerhalb der Reichweite von Kindern aufbewahrt werden. Die Kartuschen dürfen nicht in einem Gebäude, einer Garage oder an ähnlichen geschlossenen Orten aufbewahrt werden.
- Prüfen Sie nach längerer Lagerung oder längerem Nichtgebrauch den Grill vor der Nutzung auf Gaslecks und Verstopfungen in den Brennerrohren (siehe Abschnitt "Wartung").
- Überprüfen Sie vor der Nutzung, dass die Bereiche um den Gasbehälter, den Schlauch und die Brennerbaugruppe frei von Verschmutzungen sind, welche die Zirkulation der Verbrennungsluft oder der Ventilationsluft behindern könnten.



**VORSICHT BEI INSEKTEN**

Ihr Performer-Grill ist, wie alle für die Verwendung im Freien vorgesehenen Gasgeräte, ein Ziel für Spinnen und Insekten. Diese Tiere können sich im Venturiteil (1) des Brennerrohrs einnisten und dazu führen, dass das Gas zurück und aus der Zuluftöffnung strömt.

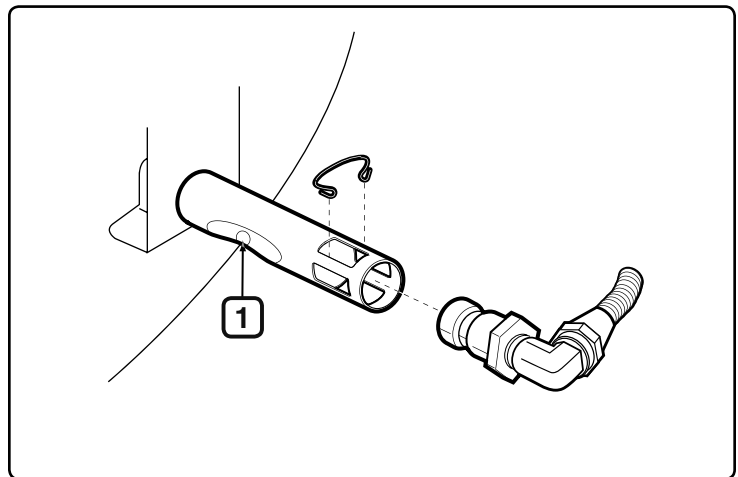
Dies kann zu einem Brand im Brennerrohr und um das Brennerrohr unter dem Tisch führen. Dadurch können ernsthafte Schäden an Ihrem Grill entstehen. Der Betrieb des Grills ist dann möglicherweise nicht mehr sicher.

Wir empfehlen dringend, dass Sie das Brennerrohr mindestens einmal jährlich oder beim Auftreten eines der folgenden Symptome überprüfen und reinigen:

- A) Gasgeruch bei sehr gelber und schwacher Brennerflamme.
- B) Brenner gibt untypische Geräusche von sich.

**⚠ GEFAHRENHINWEIS**

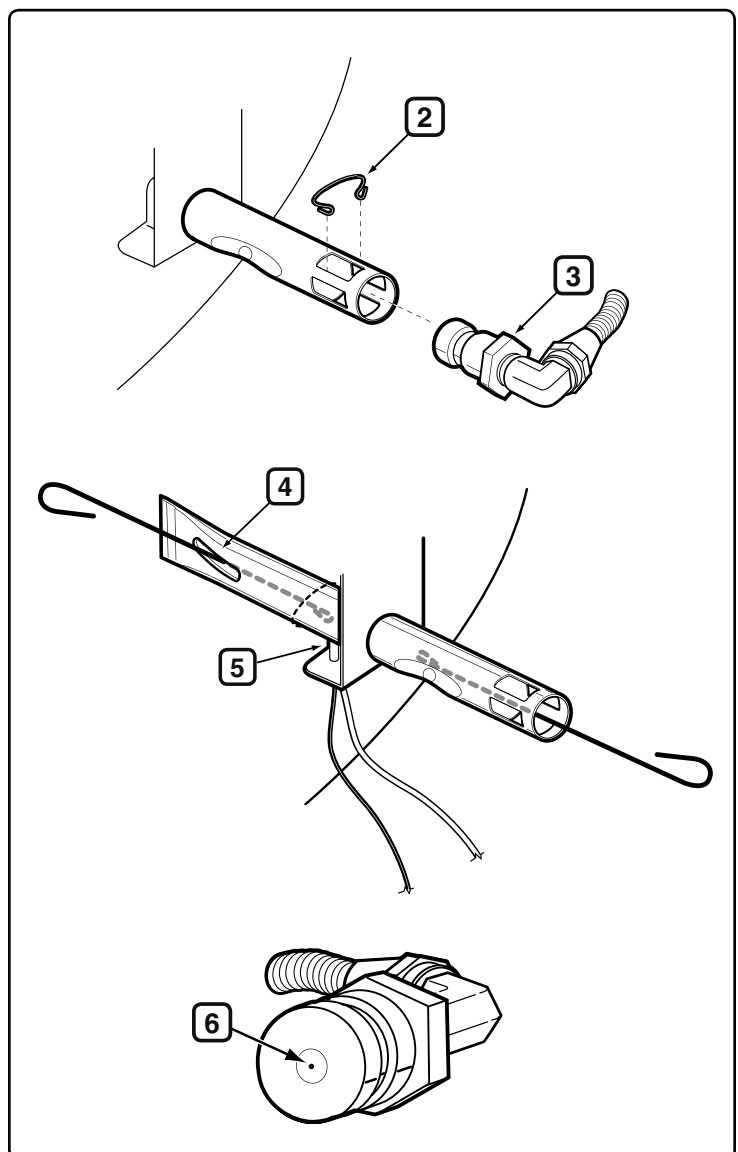
**Wenn Sie diese Symptome nicht beheben, kann es zu einem Brand kommen, der zu schweren oder gar tödlichen Verletzungen und zu Sachschäden führen kann.**

**ÜBERPRÜFEN UND REINIGEN DES BRENNERS**

- A) Drehen Sie das Gas AUS.
- B) Entfernen Sie den CharBin™-Vorratsbehälter.
- C) Entfernen die Düsenklammer (2) und den Schlauchanschluss (3) vom Brennerrohr.
- D) Schauen Sie sich mit einer Taschenlampe das Innere des Brenners an.
- E) Reinigen Sie mit dem Draht des Zündholzhalters (mitgeliefert) den Brenner von Innen.  
Reinigen Sie mit dem Draht den Luftklappenbereich, das Venturiteil und die Brennerschlitze (4) an der Innenseite der Kugel. Achten Sie beim Einführen des Brennerreinigers darauf, dass Sie die Zündelectrode (5) nicht beschädigen.
- F) Überprüfen Sie nochmals mit der Taschenlampe, dass keine Verstopfungen mehr vorhanden sind.
- G) Die Oberfläche des Schlauchanschlusses können Sie gegebenenfalls mit einer Messingdrahtbürste reinigen. Die Düse (6) können Sie mit einer dünnen Nadel reinigen.

**⚠ ACHTUNG: Erweitern Sie die Düsen beim Reinigen nicht.**

- H) Für den Zusammenbau führen Sie die Schritte B und C in umgekehrter Reihenfolge aus.

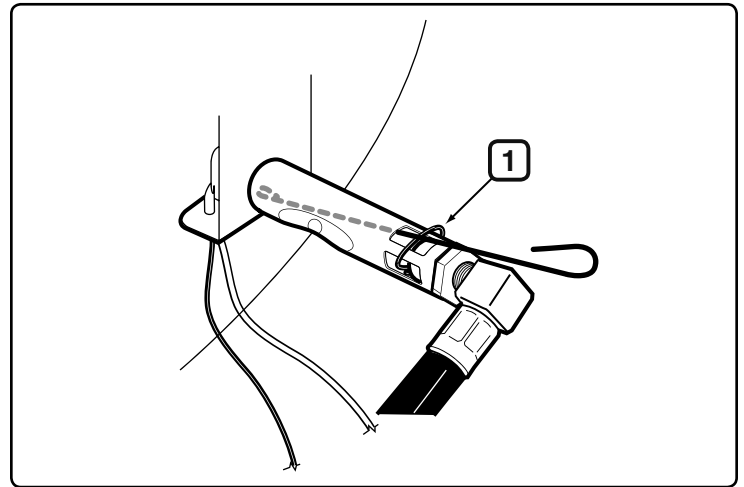


## REGELMÄSSIGE SCHNELLREINIGUNG

Wir empfehlen, in regelmäßigen Abständen die Brennerschlitze von außen mit einer Drahtbürste abzubürsten und das Brennerrohr mit dem mitgelieferten Zündholzhalter durch die Brenneröffnung zu reinigen.

Führen Sie dazu das Werkzeug durch die einzelnen Verbrennungsluftklappen (1) unter der Kugelklammer ein und drehen Sie dabei das Werkzeug. Beim Einsetzen des Zündholzhalters darauf achten, dass die Zündeletrode nicht beschädigt wird.

**⚠ ACHTUNG: Es ist wichtig, dass Sie dieses Reinigungsverfahren während der Frühjahrs- und Sommermonate öfters durchführen.**



## KONTROLLE DER ELEKTRONISCHEN ZÜNDUNG

Wenn das elektronische Zündsystem nicht zündet, prüfen Sie bitte, ob ein Gasstrom vorhanden ist, indem Sie versuchen, die Brenner mit einem Zündholz zu zünden. Siehe hierzu den Abschnitt "ZÜNDEN VON HAND". Lässt sich der Brenner manuell zünden, liegt ein Problem mit der elektronischen Zündung vor.

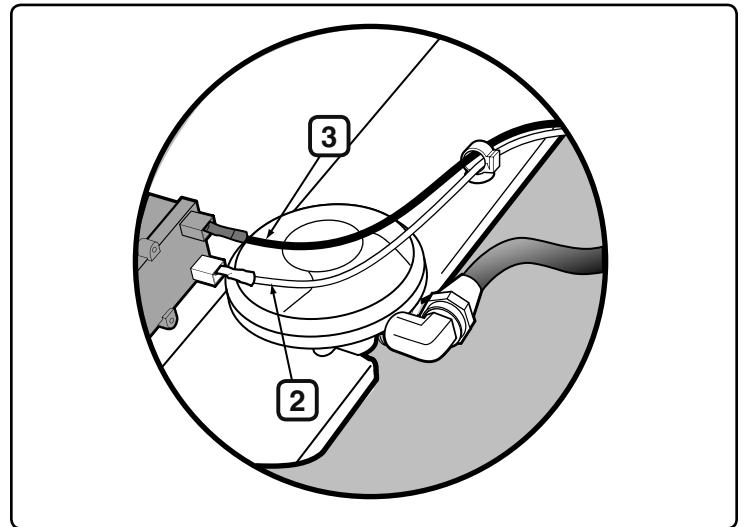
**⚠ WARNUNG: An Gasregler und Zufuhrventil muss die Stellung AUS eingestellt sein.**

- Kontrollieren Sie, ob sich die AAA-Batterie (nur Alkali) in gutem Zustand befindet und richtig eingesetzt ist (1). Einige Batterien besitzen eine Kunststoff-Schutzumwicklung. Dieser Kunststoff muss entfernt werden. Verwechseln Sie die Kunststoff-Schutzumwicklung nicht mit dem Batterieetikett.
- Vergewissern Sie sich, dass das weiße (2) und das schwarze (3) Zündkabel vorschriftsgemäß angeschlossen sind.
- Vergewissern Sie sich, dass der Taster der elektronischen Zündung ordnungsgemäß funktioniert; Sie müssen ein Klicken hören und Funken am Brenner sehen.
- Sehen Sie nach, ob der Zünder lose im Rahmen sitzt. Ziehen Sie ihn fest, falls erforderlich; das entsprechende Verfahren ist im Schritt "Einbau" beschrieben.

### Ersetzen Sie Die Batterie, Falls Erforderlich

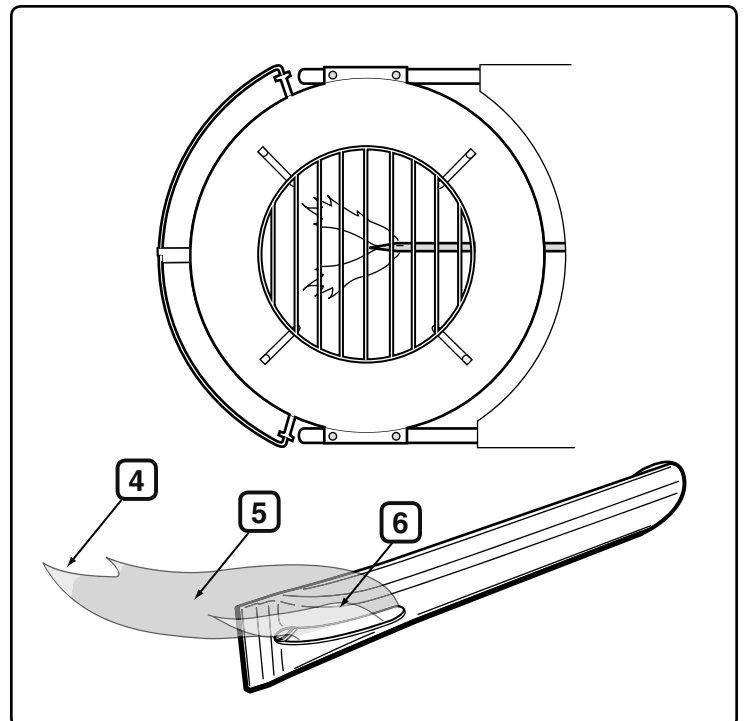
*Nur Alkalibatterie des Typs AAA.*

**Wenden Sie sich an den für Sie zuständigen Händler, falls Sie das elektronische Zündsystem nicht zünden können. Allgemeine Kontaktinformationen finden Sie auf unserer Website. Melden Sie sich an unter [www.weber.com](http://www.weber.com).**



## MUSTER DER BRENNERFLAMME

Der Brenner wurde werkseitig auf die korrekte Luft-Gas-Mischung eingestellt. Ein korrektes Flammenmuster sollte gelbe Spitzen aufweisen (4), in der Mitte dunkelblau (5) und am Brennerrohr hellblau sein (6). Wenn die Flamme nicht wie dargestellt aussieht oder ein untypisches Geräusch auftritt, nehmen Sie eine Reinigung des Brenners vor.





**⚠ ACHTUNG: Dieses Produkt wurde einem Sicherheitstest unterzogen, die Betriebsgenehmigung gilt nur in dem entsprechenden Land. Informationen mit der Länderkennzeichnung finden Sie an der Außenseite des Kartons.**

Diese Bauteile sind gasführende oder gasbrennende Komponenten. Wenden Sie sich bezüglich Informationen zu Originalersatzteilen von Weber-Stephen Products LLC an die Kundendienstabteilung von Weber-Stephen Products LLC.

**⚠ WARNHINWEIS: Versuchen Sie nicht, Reparaturen an gasführenden oder gasbrennenden Komponenten ohne Rücksprache mit der Kundendienstabteilung von Weber-Stephen Products LLC durchzuführen. Ihre Maßnahmen können bei Nichtbeachtung dieses Warnhinweises einen Brand oder eine Explosion verursachen. Dadurch kann es zu ernsthaften Verletzungen, zu tödlichen Unfällen und zu Sachschäden kommen.**



**Mit diesem Symbol wird gekennzeichnet, dass Sie dieses Erzeugnis nicht mit dem Hausmüll entsorgen dürfen. Weitere Informationen zur Entsorgung dieses Erzeugnisses in Europa finden Sie auf unserer Website unter [www.weber.com](http://www.weber.com)<sup>®</sup>. Wenden Sie sich an den unter Ihrem Land aufgeführten Importeur. Falls Sie nicht über einen Internetzugang verfügen, wenden Sie sich bitte an Ihren Händler, um Name, Anschrift und Telefonnummer des Importeurs zu erfahren.**

Wenn Sie Ihren Grill entsorgen, müssen alle Elektrobauteile (z.B. Elektromotor Drehspieß, Zündmodul) entsprechend der EU-Richtlinie für Elektro- und Altgeräte (WEEE) ordnungsgemäß demontiert und entsorgt werden. Diese Bauteile müssen gesondert entsorgt werden.



WEBER-STEPHEN PRODUCTS LLC  
[www.weber.com](http://www.weber.com)<sup>®</sup>

# PERFORMER® DELUXE

## Handleiding barbecue op briketten

Montage - p. 5

#54785



**U MOET DEZE HANDLEIDING LEZEN  
VOOR HET GEBRUIK VAN UW  
GASBARBECUE**

### **⚠ GEVAAR**

Wanneer u gas ruikt:

1. Sluit het gas naar de barbecue af.
2. Doof eventuele vlammen.
3. Open het deksel.
4. Wanneer de gaslucht niet verdwijnt, bewaar dan afstand tot de barbecue en neem direct contact op met de gasleverancier of de brandweer.

Lekkend gas kan brand of explosie veroorzaken, met ernstig of fataal lichamelijk letsel of beschadigingen van eigendommen tot gevolg.

handleiding voordat u de barbecue gebruikt. Voer deze controles ook uit wanneer de barbecue bij de dealer gemonteerd is.

**ALLEEN VOOR GEBRUIK BUITENSHUIS.**

### **⚠ WAARSCHUWING:**

1. Bewaar of gebruik geen benzine of andere ontvlambare gassen of vloeistoffen in de buurt van deze of andere barbecues.
2. Een gascilinder die niet is aangesloten voor gebruik, mag niet in de buurt van deze of andere barbecues worden bewaard.

**⚠ WAARSCHUWING:** controleer de barbecue eerst zorgvuldig op lekkage aan de hand van de instructies in deze

**⚠ WAARSCHUWING:** De Weber® gasbarbecue niet aansteken voordat u de aanwijzingen voor het "aansteken" in deze handleiding hebt gelezen.

### **INFORMATIE VOOR HET INSTALLEREN:**

Deze handleiding is bedoeld voor de eigenaar en wij raden u aan om deze goed te bewaren.

GEEN ACHT SLAAN OP DEZE VERKLARINGEN OMTRENT GEVAREN, WAARSCHUWINGEN OF VOORZORGSMAATREGELEN KAN ERNSTIG LICHAAMELIJK LETSEL OF OVERLIJDEN TOT GEVOLG HEBBEN, OF BRAND EN EXPLOSIE WAT LEIDT TOT SCHADE AAN EIGENDOMMEN.

- ⚠ VEILIGHEIDSSYMBOLEN ( ⚠ ) zullen u wijzen op belangrijke VEILIGHEIDSinformatie.
- ⚠ De signaalwoorden GEVAAR, WAARSCHUWING of LET OP! worden gebruikt samen met het VEILIGHEIDSSYMBOL.
- ⚠ GEVAAR geeft het meest ernstige gevaar aan.
- ⚠ Lees alle veiligheidsinformatie in deze gebruikershandleiding voordat u deze barbecue gaat gebruiken.

#### ⚠ GEVAREN

- ⚠ Het niet opvolgen van de gevaren, waarschuwingen en voorzorgsmaatregelen in deze gebruikershandleiding, kan leiden tot ernstig lichamelijk letsel of overlijden, of tot brand of explosie met schade aan eigendommen als gevolg.
- ⚠ Niet binnenshuis gebruiken! Deze barbecue is uitsluitend bedoeld voor gebruik buitenshuis. Bij gebruik binnenshuis kunnen giftige dampen zich ophopen en ernstig lichamelijk letsel of overlijden veroorzaken.
- ⚠ Deze barbecue mag alleen buitenshuis in een goed geventileerde omgeving worden gebruikt. Gebruik de barbecue niet in een garage, schuur of hut of in een andere afgesloten ruimte.
- ⚠ Gebruik deze barbecue niet onder een overdekte brandbare constructie.
- ⚠ Een onjuiste installatie kan gevaarlijk zijn. Volg daarom de instructies in deze handleiding op. Gebruik deze barbecue alleen als alle onderdelen zijn gemonteerd. Controleer of de aslade goed is bevestigd onder de ketel of dat er een aslade met een grote capaciteit is geplaatst alvorens de barbecue aan te steken.
- ⚠ Geen aanmaakvloeistof voor briketten of briketten geïmpregneerd met aanmaakvloeistof toevoegen aan hete of warme briketten.
- ⚠ Nooit benzine, aanmaakvloeistof of alcohol op de briketten gebruiken. Gebruik nooit enige vorm van zelfontvlambare briketten.
- ⚠ Wees extra voorzichtig bij het gebruik van uw barbecue. De barbecue wordt heet tijdens het gebruik en mag nooit onbeheerd achtergelaten worden tijdens het gebruik.
- ⚠ Laat geen baby's, jonge kinderen of dieren onbewaakt in de buurt van een hete barbecue.
- ⚠ Probeer een hete barbecue niet te verplaatsen.
- ⚠ De barbecue niet gebruiken binnen 1,5 meter van enig ontvlambaar materiaal. Brandbare materialen bestaan uit, maar zijn niet beperkt tot, houten of geïmpregneerd houten vlonders, patio's of veranda's.
- ⚠ Ontvlambaar materiaal mag zich nooit binnen een bereik van 60 cm van de bovenzijde, onderzijde, achterzijde of zijkanten van de barbecue bevinden.
- ⚠ Gebruik geen ontvlambare gassen of vloeistoffen, zoals benzine, alcohol, enz. en andere ontvlambare materialen in de buurt van de barbecue.
- ⚠ De as niet verwijderen totdat de briketten volledig zijn uitgebrand en gedoofd en de barbecue is afgekoeld.
- ⚠ Plaats de briketten altijd in Char-Baskets™ of boven op het onderste brikettenrooster. Plaats geen briketten direct op de bodem van de ketel.
- ⚠ Draag geen kleding met losse, wijde mouwen tijdens het aansteken of het gebruik van de barbecue.
- ⚠ Leun nooit over de barbecue bij het aansteken van de gasbrander.
- ⚠ De barbecue niet gebruiken bij veel wind.
- ⚠ De barbecue niet gebruiken als er gas lekt.
- ⚠ Zoek niet met een aansteker naar gaslekken.
- ⚠ Draai de gaskraan dicht wanneer de brander op enig moment tijdens het gebruik uit gaat. Verwijder het deksel en wacht vijf minuten voordat u de brander opnieuw probeert aan te steken, waarbij u gebruik maakt van de ontstekingsinstructies in deze handleiding.
- ⚠ De gasdrukregelaar niet proberen te ontkoppelen van de gasfles of enige andere gasaansluiting tijdens het gebruik van de barbecue.
- ⚠ Gebruik alleen de gasdrukregelaar welke geleverd is bij uw barbecue.

#### ⚠ WAARSCHUWINGEN

- ⚠ Volg de instructies voor het aansluiten van de gasdrukregelaar voor uw type gasbuitenkeuken op.
- ⚠ Bewaar geen reservegasbusje of ontkoppeld gasbusje onder of in de buurt van deze barbecue.
- ⚠ Plaats de barbecue te allen tijde op een veilig en vlak oppervlak, uit de buurt van ontvlambare materialen.
- ⚠ Leg geen barbecuehoezen of andere brandbare materialen op of in de opslagruimte onder de barbecue.
- ⚠ Verwijder altijd het deksel voordat u de gasbrander aansteekt, zowel met de hand als met het ontstekingsmechanisme. Het deksel moet VAN de barbecue blijven totdat de briketten volledig aan zijn.
- ⚠ Raak een kook- of brikettenrooster, as, briketten of een hete barbecue nooit aan om te kijken of ze heet zijn.
- ⚠ Gebruik geen lava- of char-stenen in deze barbecue.
- ⚠ Gebruik geen water om opflakeringen te bedwingen of de briketten te doven, omdat hierdoor de porseleinen afwerking kan beschadigen. Sluit de onderste luchtventilatieopeningen (instelkleppen) enigszins en plaats het deksel op de ketel.
- ⚠ Doof de briketten als u klaar bent met barbecuen. Sluit alle luchtventilatieopeningen (instelkleppen) nadat u de deksel op de ketel hebt geplaatst.
- ⚠ U moet altijd barbecuehandschoenen dragen bij het barbecuen, afstellen van de luchtventilatieopeningen (instelkleppen), toevoegen van briketten of hanteren van de thermometer of het deksel.
- ⚠ Gebruik geschikt barbecuegereedschap met lange, hittebestendige handgrepen.
- ⚠ Sommige modellen kunnen voorzien zijn van de Tuck-Away™ dekselhouder. De Tuck-Away™ dekselhouder wordt gebruikt om het deksel op te bergen wanneer u de gerechten controleert of draait. Gebruik de Tuck-Away™ dekselhouder niet als een handgreep om de barbecue op te tillen of te verplaatsen. Leg een hete deksel niet op een tapijt of het gras. Hang de deksel niet aan de handgreep van de ketel.
- ⚠ Gooi de hete briketten nooit op een plek waar erop getrapt kan worden of als er brandgevaar is. Gooi as of briketten nooit weg voordat ze volledig gedoofd zijn. De barbecue niet opbergen totdat as en briketten volledig gedoofd zijn.

- ⚠ Hete elektrische starters voorzichtig hanteren en opslaan.
- ⚠ Elektrische bedrading uit de buurt houden van hete oppervlakken van de barbecue en uit de buurt houden van drukke looppaden.
- ⚠ Controleer, na een opslagperiode of periode van ongebruik, vóór gebruik op gaslekkage en verstopping van de brander. Raadpleeg de instructies in deze handleiding voor de juiste procedure.
- ⚠ Het vervangen van vloeibaar propaan door aardgas in deze barbecue is gevaarlijk. Bovendien vervalt bij pogingen daartoe de garantie.
- ⚠ Een gedeukte of roestige gasbus kan gevaarlijk zijn. Laat deze controleren door uw gasleverancier. Gebruik geen gasbusje met een beschadigde klep.
- ⚠ Hoewel uw gasbusje op het oog leeg kan lijken, kan er nog gas in aanwezig zijn. Hiermee dient rekening te worden gehouden bij het vervoer en opslaan van het gasbusje.
- ⚠ Indien u gas ziet, ruikt of hoort ontsnappen uit het gasbusje:
  1. Ga uit de buurt van het gasbusje.
  2. Probeer het probleem niet zelf op te lossen.
  3. Bel naar uw brandweer.

### ⚠ LET OP!

- ⚠ Het bekleden van de ketel met aluminiumfolie zal de luchtstroom negatief beïnvloeden. Gebruik een druippan om de sappen van het vlees op te vangen bij gebruik van de indirecte methode.
- ⚠ Het gebruik van scherpe objecten om het grillrooster te reinigen of om as te verwijderen, zal de afwerking beschadigen.
- ⚠ Schuurmiddelen op het grillrooster of de barbecue zelf zal de afwerking beschadigen.
- ⚠ De barbecue moet regelmatig zorgvuldig gereinigd worden.

## GARANTIE

Weber-Stephen Products LLC (Weber®) garandeert hierbij als volgt aan de OORSPRONKELIJKE KOPER van een Weber® gasbarbecue dat deze vrij is van defecten in materiaal en vakmanschap vanaf de aankoopdatum:

Grill-/brikettenroosters	2 jaar
Gealuminiseerde bladen/ met aluminium afgewerkte onderdelen One-Touch™ reinigingssysteem	5 jaar
One-Touch™ reinigingssysteem van roestvrijstaal	10 jaar
Ketel en deksel tegen roest en doorbranden	10 jaar
Nylon handgrepen	10 jaar
Thermoplastische/Thermogeharde onderdelen (Performer®)	10 jaar, uitgezonderd verkleuring
Alle resterende onderdelen	2 jaar

wanneer deze zijn gemonteerd en worden gebruikt overeenkomstig de bijbehorende instructies. Weber kan een redelijk bewijs nodig hebben van uw aankoopdatum. BEWAAR DAAROM UW KASSABON OF FACTUUR.

Deze beperkte garantie is beperkt tot de reparatie of vervanging van onderdelen waarvan bewezen is dat ze defect zijn door normaal gebruik en onderhoud en die na onderzoek defect zullen blijken, naar oordeel van Weber. Neem contact op met de klantendienst in uw regio met de contactinformatie op uw internetpagina voordat u de onderdelen retourneert. Als Weber het defect bevestigt en de claim goedkeurt, zal Weber dergelijke onderdelen zonder kosten vervangen. Bij het retourneren van defecte onderdelen moeten de vervoerskosten vooraf betaald zijn. Weber zal de onderdelen aan de koper vooraf betaald terugzenden.

Onder deze Beperkte Garantie vallen geen defecten of bedieningsproblemen die te wijten zijn aan een ongeluk, misbruik, aanpassing, verkeerde bediening, vandalisme, onjuiste installatie of onjuist onderhoud, het niet conform de richtlijnen uitgevoerd onderhoud, inclusief maar niet beperkt tot schade veroorzaakt door insecten in de branderbuizen zoals beschreven in deze gebruikershandleiding.

Slijtage of schade door hevige weersomstandigheden, zoals hagel, orkanen, aardbevingen of tornado's, verkleuring als gevolg van blootstelling aan chemicaliën, direct of in de atmosfeer, worden niet gedekt door deze beperkte garantie.

Er zijn geen andere expliciete garanties dan die hierin worden beschreven en de geldende impliciete garanties van verkoopbaarheid en geschiktheid zijn beperkt in duur tot de dekkingperiode van deze expliciete, schriftelijke, beperkte garantie. Sommige regio's staan geen beperking toe op de duur van een impliciete garantie, daarom kan deze beperking niet voor u van toepassing zijn.

Weber is niet aansprakelijk voor speciale, indirecte schade of gevolgschade. Sommige regio's staan geen uitsluiting of beperking toe van incidentele schade of gevolgschade, daarom kan deze beperking of uitsluiting niet voor u van toepassing zijn.

Weber autoriseert geen enkel persoon of bedrijf om verplichtingen of aansprakelijkheid over te nemen in verband met de verkoop, installatie, het gebruik, het verwijderen, het retourneren of vervangen van onderdelen. Dergelijke verklaringen zijn niet bindend voor Weber.

Deze Garantie is alleen van toepassing op producten die door de detailhandel worden verkocht.

**Bezoek [www.weber.com](http://www.weber.com)®, selecteer uw land van herkomst en registreer uw grill vandaag nog.**

### RESERVEGASSLANG EN GASDRUKREGELAAR

- ⚠ **BELANGRIJK:** Wij raden aan de gasslang op uw Weber gasbarbecue om de vijf (5) jaar te vervangen. In sommige landen kunnen er regels zijn dat de gasslang binnen de 5 jaar dient te worden vervangen. De regels van deze landen hebben prioriteit.

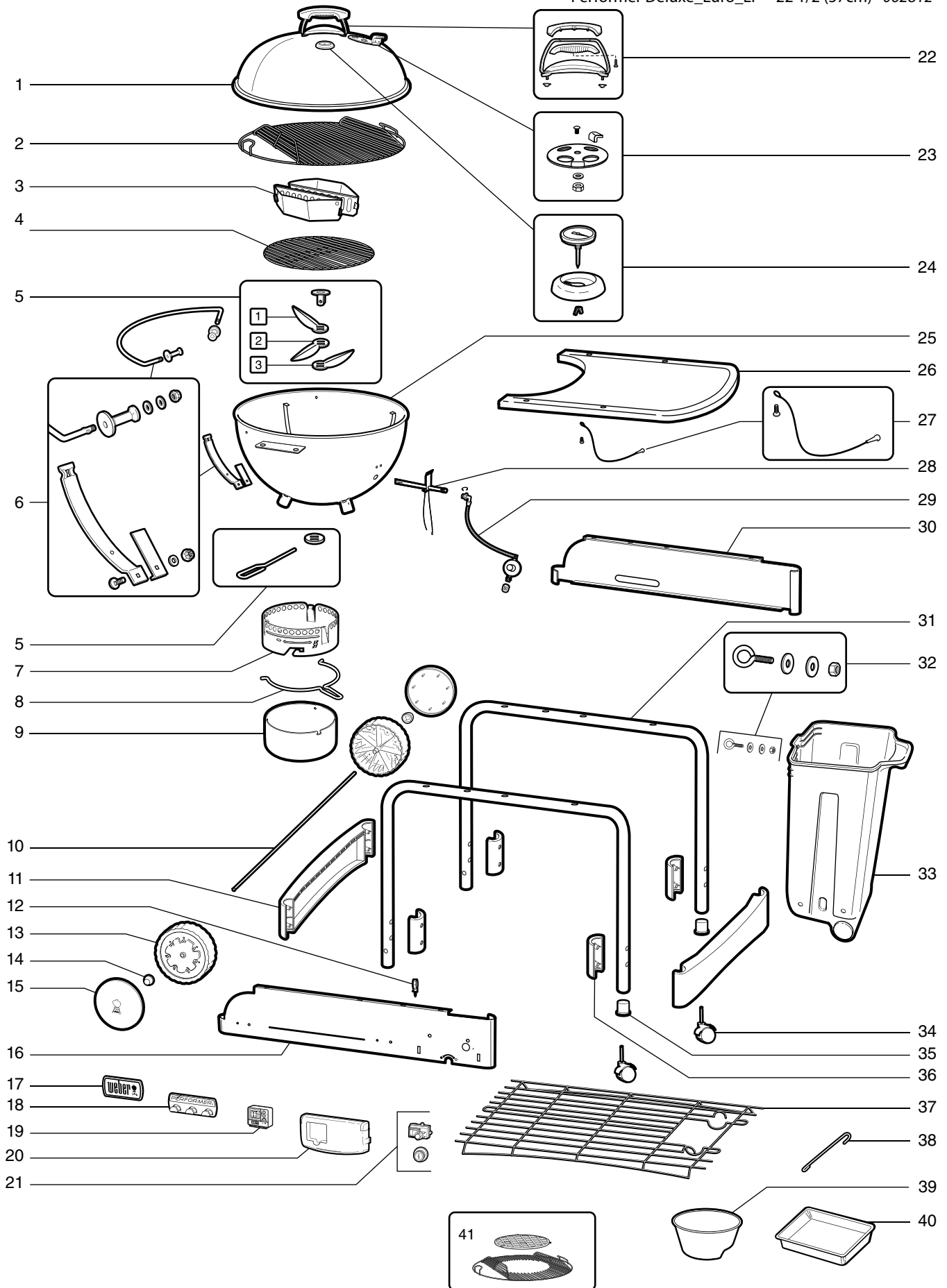
Neem voor de reservegasslang en de gasdrukregelaar contact op met de vertegenwoordiger van de klantendienst in uw gebied via "Neem contact op" op onze website. Surf naar [www.weber.com](http://www.weber.com)®.

### LAND

### GASTYPE & DRUK

Denemarken, Zweden, Noorwegen, Finland, Engeland, Nederland, Verenigd Koninkrijk, Frankrijk, Spanje, Portugal, België, Ierland, Griekenland, Luxemburg, Italië, Duitsland, Oostenrijk	I <sub>3B/P</sub> - 29 mbar	
ENERGIEVERBRUIK		
Ontsteking van de brander. Max.		
Propaan/ butaanmengsel	kW(Hs)	gm(Hs)
	2,6	192

Performer Deluxe\_Euro\_LP - 22 1/2 (57cm) 062812





- |                                          |                                         |                                       |
|------------------------------------------|-----------------------------------------|---------------------------------------|
| 1. Deksel                                | 15. Wielbescherming                     | 29. Slang en regelaar met openingklem |
| 2. Scharnierend grillrooster             | 16. Voorpaneel                          | 30. Achterpaneel                      |
| 3. Char-Baskets™                         | 17. Logoplaat                           | 31. Framepoot                         |
| 4. Brikettenrooster                      | 18. Accessoireshouders                  | 32. CharBin™ Hardware                 |
| 5. One-Touch™ Reinigingssysteem          | 19. Digitale Kooktimer                  | 33. CharBin™                          |
| 6. Dekselhouder en onderste steuneenheid | 20. Afdekking van gasregelaar           | 34. Zwenkwielen                       |
| 7. Ring van aslade                       | 21. Ontstekingsknop / Ontstekingsmodule | 35. Inzetstuk van zwenkwieltje        |
| 8. Handgreep van aslade                  | 22. Dekselhandgreep                     | 36. Beugelklem van pootframe          |
| 9. Grote aslade                          | 23. Dekselinstelklep                    | 37. Onderrek                          |
| 10. As                                   | 24. Thermometereenheid                  | 38. Luciferhouder                     |
| 11. Beugel van pootframe                 | 25. Kuip                                | 39. Brikettenmaatbeker                |
| 12. Houder voor ontstekingsdraad         | 26. Tafel                               | 40. Druippan voor eenmalig gebruik    |
| 13. Wiel                                 | 27. CharBin™ bevestigingsketting        |                                       |
| 14. Naafdop                              | 28. Brandereenheid                      |                                       |

## KAN HET VOLGENDE BEVATTEN:

41. Grillplaat met scharnierend grillrooster

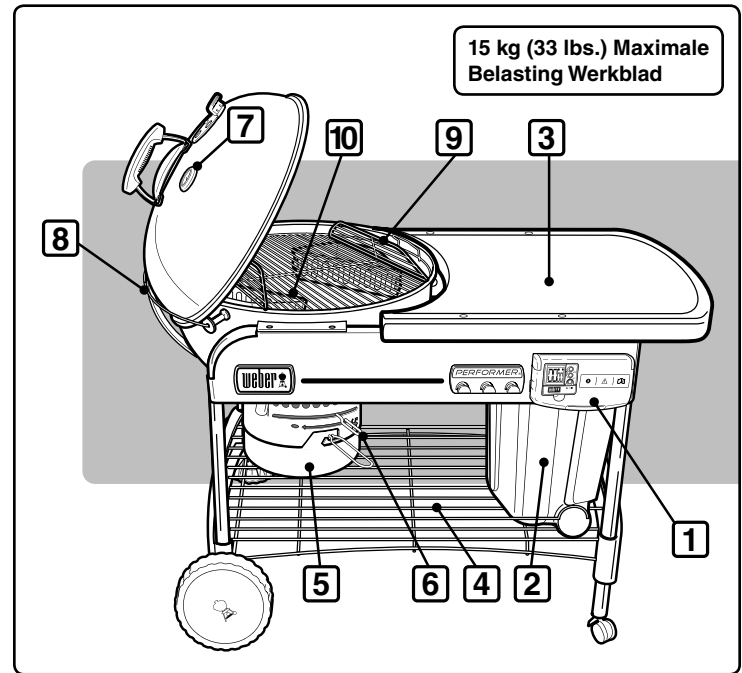
Voor meer informatie over uw gasbarbecue en hoe u er veilig mee omgaat, vindt u op [www.weber.com](http://www.weber.com).

- In de volgende informatie worden de minimale eisen vermeld voor het monteren van uw Weber® barbecue. Lees deze instructies zorgvuldig door voordat u uw Weber® barbecue gebruikt. Een verkeerde montage kan gevaarlijk zijn.
- Niet voor gebruik door kinderen.
- Deze Weber® barbecue is uitsluitend bedoeld voor gebruik met propaan of een propaan/butaangasmengsel. Gebruik geen aardgas. De klep en gasregelaar zijn alleen bedoeld voor propaan of een propaan/butaangasmengsel.
- Deze Weber® barbecue is niet bedoeld voor commerciële doeleinden.
- Alcohol en/of al dan niet voorgeschreven medicijnen kunnen de vaardigheden van de gebruiker voor een goede montage of veilig gebruik negatief beïnvloeden.

## EIGENSCHAPPEN

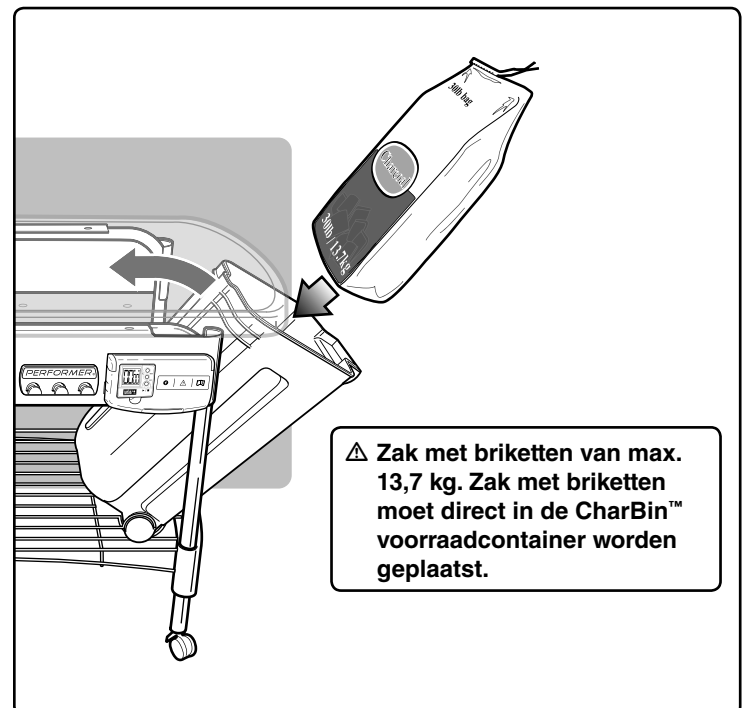
- A) Het exclusieve Touch-N-Go™ gasontstekingsstelsel maakt het aansteken van briketten eenvoudig (1). Houd de knop gewoon ingedrukt en de gasbranders van het systeem gaan aan, waardoor de briketten worden aangestoken. Geen gevaarlijke aanmaakvloeistoffen om te gebruiken of op te slaan en geen nasmaak van de aanmaakvloeistof.
- B) De CharBin™ voorraadcontainer bevat een zak met briketten met een maximaal gewicht van 13,7 kg (2). De zak met briketten moet direct in de CharBin™ voorraadcontainer worden geplaatst.
- C) Het thermogeharde werkblad biedt een geweldige werkruimte en bedekt de CharBin™ voorraadcontainer, zodat de briketten droog blijven (3).
- D) Handig onderrek voor opslag (4).
- E) Grote aslade vergrendelt op de plaats, waardoor er geen as uitwaait (5).
- F) One-Touch® reinigingssysteem verwijdert eenvoudig as of opent en sluit de luchtventilatiegaten (6).
- G) De thermometer bewaakt de kooktemperatuur in de barbecue (7).
- H) Het Tuck-Away™ deksel schuift terug in de roestvrijstalen dekselhouder en dient als windscherm bij het aansteken van de briketten (8).
- I) De scharnierende delen van het grillrooster draaien open voor een eenvoudige toevoeging van briketten of houtsnippers tijdens het gebruik (9).
- J) Char-Basket™ brikettenhouders bieden een handige indirecte en geconcentreerde kookflexibiliteit met hout of briketten (10).

- Deze Weber® barbecue is niet bedoeld als warmtebron en dient daarvoor niet gebruikt te worden.
- Blijf altijd in de buurt van de Weber® barbecue. Houd kinderen en huisdieren altijd uit de buurt van de Weber® barbecue.
- Controleer of het gebied onder het bedieningspaneel en de opvangbaklade schoon zijn. Vuil kan de stroom van afvoer- en toevoerlucht belemmeren.
- Onderdelen die zijn vastgezet door de fabrikant mogen niet worden veranderd door de gebruiker.
- Aanpassingen aan het apparaat kunnen gevaarlijk zijn.



## WERKGEBIED

- ⚠ **WAARSCHUWING:** Deze barbecue mag alleen buitenshuis in een goed geventileerde omgeving worden gebruikt. Gebruik de barbecue niet in een garage, schuur of hut of in een andere afgesloten ruimte.
- ⚠ **WAARSCHUWING:** De toegankelijke delen kunnen erg heet worden. Zorg ervoor dat jonge kinderen uit de buurt blijven.
- ⚠ Gebruik uw barbecue nooit onder een overdekte brandbare constructie.
- ⚠ Uw Weber® barbecue is niet bedoeld voor gebruik in of op caravans en/of boten.
- ⚠ Gebruik geen ontvlambare materialen binnen 60 cm van de bovenzijde, onderzijde, achterzijde of zijkanten van de barbecue.
- ⚠ De gehele barbecue wordt heet tijdens het gebruik. Laat de barbecue niet onbemand.
- ⚠ Houd stroomkabels en de brandstofslang uit de buurt van de warme oppervlakken.
- ⚠ Gebruik geen ontvlambare gassen of vloeistoffen, zoals benzine, alcohol, enz. en andere ontvlambare materialen in de buurt van het kookgebied.
- ⚠ De barbecue tijdens het gebruik niet verplaatsen. Laat de barbecue afkoelen voordat u deze gaat verplaatsen.
- ⚠ Deze barbecue is niet ontworpen als warmtebron en dient daarvoor niet gebruikt te worden.



**HET GASBUSJE BEVESTIGEN**

Gebruik gasbusjes met een capaciteit van minimaal 430 g en maximaal 460 g. Het gasbusje moet beschikken over een EN417-klep, zoals afgebeeld. Een type gasbusje dat kan worden gebruikt is een Primus model 2202 of een Weber gasbusje.

**⚠ LET OP: gebruik alleen cilinders die als propaan of butaan-propaanmengsel zijn aangemerkt.**

Duw het gasbusje in de gasdrukregelaar en draai deze met de klok mee tot het gasbusje goed vastzit.

**⚠ WAARSCHUWING: draai het gasbusje alleen met de hand aan. Gebruik van overmatig veel kracht kan de koppeling van de gasdrukregelaar beschadigen en een lekkage of een tekort aan gastoevoer veroorzaken.**

**CONTROLLEREN OP GASLEKKAGE:****⚠ GEVAAR**

Gebruik geen vuur om te controleren op gaslekken. Let erop dat er geen vonken of vuur in de buurt zijn wanneer u controleert op lekkage. Vonken of vuur kunnen een brand of explosie veroorzaken met ernstig of fataal letsel en beschadigingen van eigendommen als gevolg.

U heeft het volgende nodig: een gasbusje, wat zeepsop en een doek of borstel om het zeepsop aan te brengen.

- Maak wat zeepsop.
- Draai de gasregelaar naar ON (open) door de regelaar tegen de klok in te draaien.
- Controleer op lekkage door zeepsop op de aansluiting aan te brengen en vervolgens te kijken of er zeepbellen verschijnen. Wanneer u zeepbellen ziet en de zeepbellen worden groter, dan is er sprake van lekkage.

**CONTROLEER:**

A) Aansluiting tussen gasdrukregelaar en gasbusje.

**⚠ WAARSCHUWING: wanneer er een lek bij de aansluiting wordt geconstateerd (1), verwijder dan het gasbusje. Gebruik de barbecue niet. Probeer een ander gasbusje en controleer de aansluiting opnieuw met zeepsop. Wanneer de lekkage niet is verholpen na het aandraaien van het gasbusje, draai dan het gas dicht (OFF). GEBRUIK DE BARBECUE NIET. Neem contact op met een vertegenwoordiger van de klantenservice in uw regio. Hiervoor kunt u de contactgegevens op onze website gebruiken. Surf naar [www.weber.com](http://www.weber.com)®.**

**CONTROLEER:**

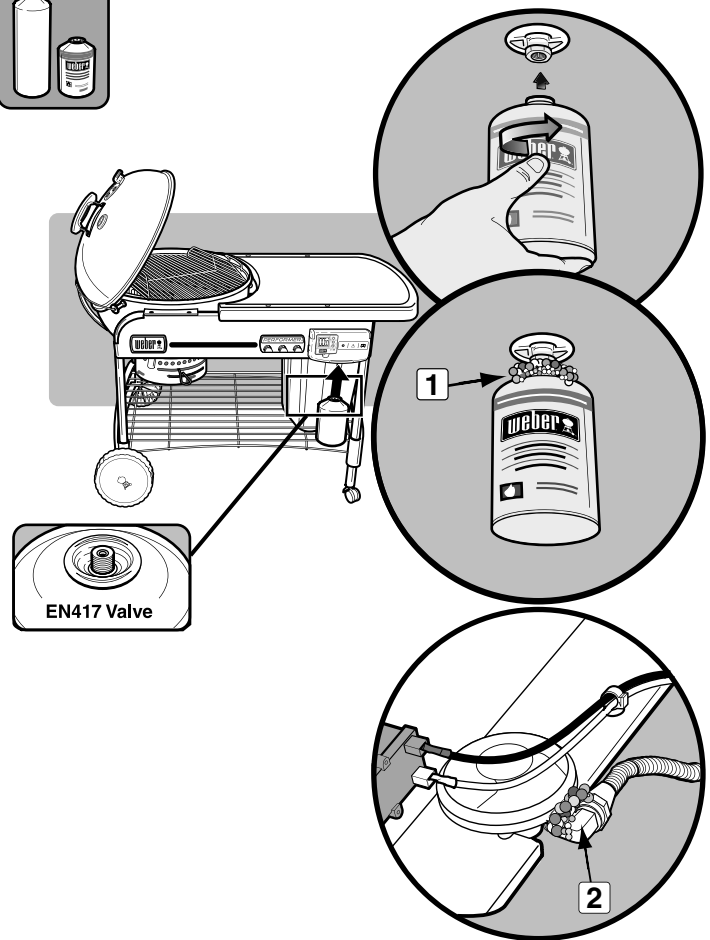
B) De aansluitingen van de klep en de gasdrukregelaar.

**⚠ WAARSCHUWING: wanneer er een lek bij de aansluiting wordt geconstateerd (2), draai dan het gas dicht (OFF). GEBRUIK DE BARBECUE NIET. Neem contact op met de vertegenwoordiger van de klantenservice in uw regio. Hiervoor kunt u de functie "Neem contact op" op onze website gebruiken. Surf naar [www.weber.com](http://www.weber.com)®.**

Wanneer u op lekkage heeft gecontroleerd, draait u de gastoevoer dicht en spoelt u de aansluitingen na met water.

**⚠ GEVAAR**

Bewaar de gasbusjes niet onder of in de buurt van de barbecue.



## AANSTEKEN

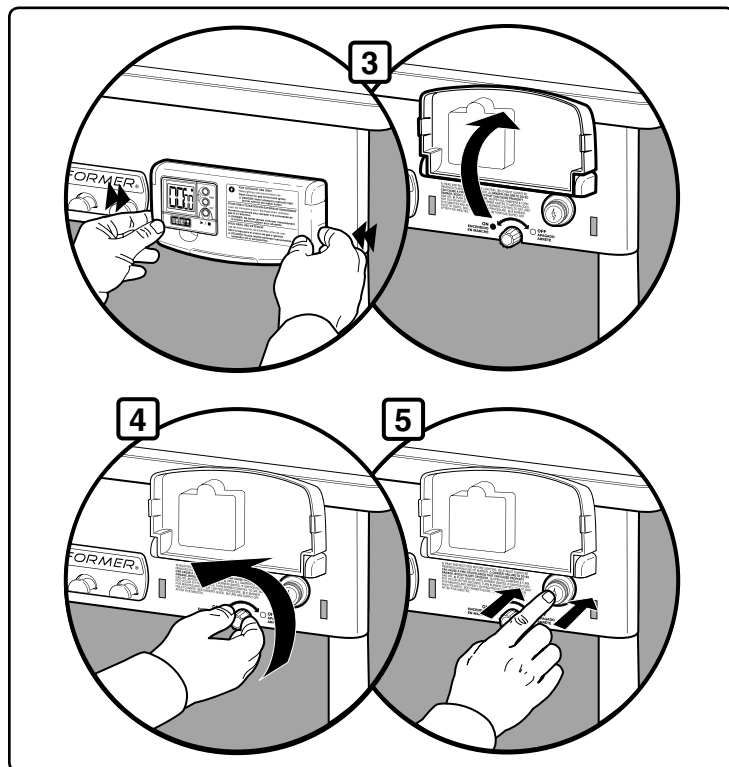
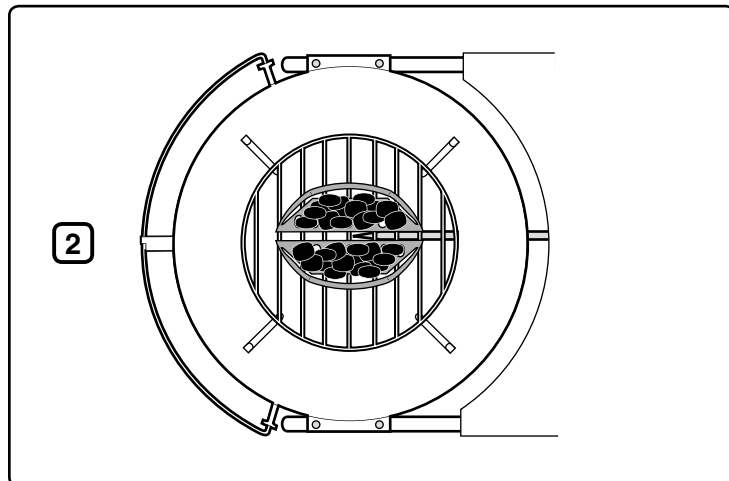
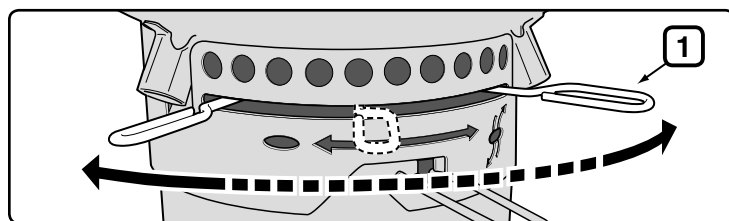
## ⚠ GEVAAR

Open het deksel vóór het aansteken. Gebruik nooit ontvlambare vloeistoffen, zoals aanmaakvloeistof, benzine, alcohol of enige vorm van zelfontstekende briketten; ook niet bij het handmatig aansteken. Geen acht slaan op deze waarschuwing, kan ernstig lichamelijk letsel of de dood tot gevolg hebben.

- A) Verwijder het barbecuedeksel voordat u de gasfunctie gebruikt.
- ⚠ **GEVAAR: Het niet verwijderen van het deksel kan een gasbel veroorzaken die kan leiden tot brand of een explosie, wat ernstig lichamelijk letsel of de dood of schade aan eigendommen tot gevolg kan hebben.**
- B) Open de onderste ventilatiegaten van de ketel (1).
- C) Plaats de Char-Baskets™ boven de brander (2).
- D) Duw de knopjes in op de gasregelaarafdekking (3) en til op om te openen.
- E) Draai de gastoevoer ten minste één volledige slag open (tegen de klok in) (4).
- ⚠ **WAARSCHUWING: Niet over de open barbecue heen leunen tijdens het aansteken.**
- F) Houd de ontstekingsknop ingedrukt totdat de brander aangaat (5).
- ⚠ **LET OP: De vlam kan moeilijk te zien zijn op een mooie dag.**
- G) Draai, nadat de briketten zijn aangestoken (na ongeveer 5 minuten), de regelknop van het gas dicht (OFF) (met de klok mee) totdat hij volledig dicht is.
- ⚠ **LET OP: Controleer of de gasregelaar volledig is gesloten.**
- NB - Een langdurig gebruik verkort de levensduur van het gasbusje.
- H) U kunt beginnen met koken wanneer de briketten enigszins bedekt zijn met grijs as (na ongeveer 25 - 30 minuten).

## UITZETTEN

Draai de regelknop van het gas naar de stand OFF (met de klok mee) totdat hij volledig dicht is.



## HANDMATIG AANSTEKEN

⚠ **WAARSCHUWING:** Niet proberen met de hand aan te steken zonder de luciferhouder.

⚠ **GEVAAR**

Open het deksel vóór het aansteken. Gebruik nooit ontvlambare vloeistoffen, zoals aanmaakvloeistof, benzine, alcohol of enige vorm van zelfontstekende briketten; ook niet bij het handmatig aansteken. Geen acht slaan op deze waarschuwing, kan ernstig lichamelijk letsel of de dood tot gevolg hebben.

A) Verwijder het barbecuedeksel voordat u de gasfunctie gebruikt.

⚠ **GEVAAR:** Het niet verwijderen van het deksel kan een gasbel veroorzaken die kan leiden tot brand of een explosie, wat ernstig lichamelijk letsel of de dood of schade aan eigendommen tot gevolg kan hebben.

B) Open de onderste ventilatiegaten van de ketel (1).

C) Verplaats de Char-baskets™ weg van de brander (2).

D) Duw de knopjes in op gasregelaarafdekking (3) en til op om te openen.

E) Plaats een lucifer in de luciferhouder (4). Steek de lucifer aan.

F) Draai de gastoevoer ten minste één volledige slag open (tegen de klok in) (5).

G) Plaats de vlam van de lucifer aan de achterzijde van de branderopening (6).

⚠ **WAARSCHUWING:** Houd uw hand niet direct boven de brander wanneer u deze handmatig aansteekt.

⚠ **WAARSCHUWING:** Niet over de open barbecue heen leunen tijdens het aansteken.

⚠ **LET OP:** De vlam kan moeilijk te zien zijn op een mooie dag.

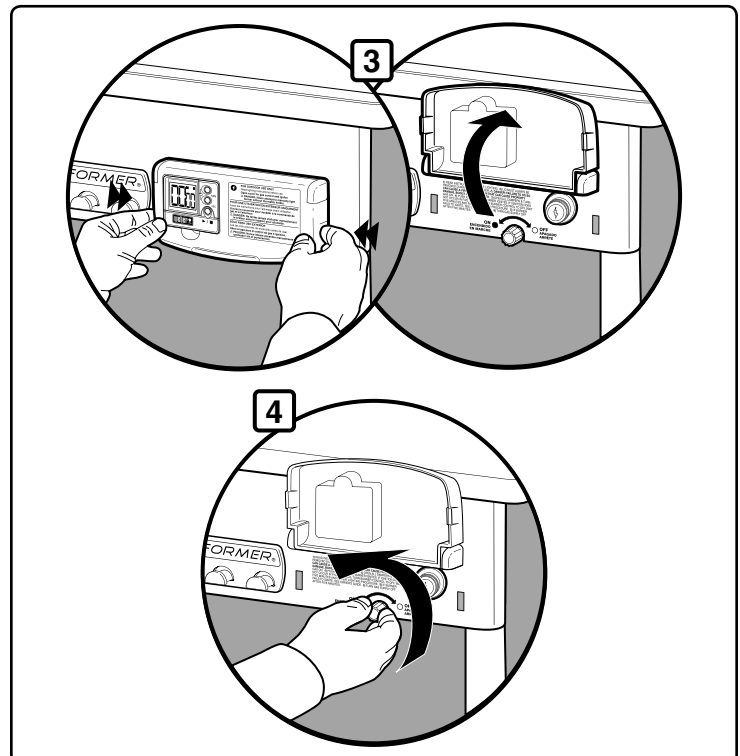
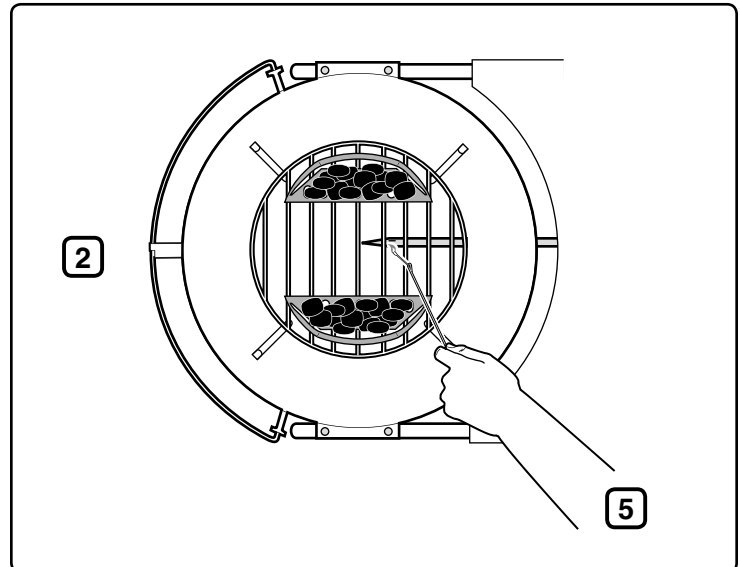
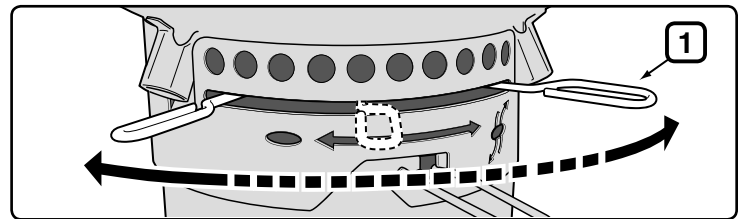
H) Draag barbecuehandschoenen en gebruik lange tangen om de Char-Baskets™ weer boven de brander te plaatsen.

I) Draai, nadat de briketten zijn aangestoken, (na ongeveer 5 minuten) de gasregelaar dicht (OFF) (met de klok mee) totdat deze volledig dicht staat.

J) U kunt beginnen met koken wanneer de briketten enigszins bedekt zijn met grijs as (na ongeveer 25 - 30 minuten).

## UITZETTEN

Draai de regelknop van het gas naar de stand OFF (met de klok mee) totdat hij volledig dicht is.



## WERKING VAN TIMER

Deze waterbestendige digitale kooktimer biedt zowel een optel- als aftelfunctie in minuten en seconden.

### Aftellen instellen:

- Druk op de knop **MIN (1)** om de minuten in te stellen. Houd de knop ingedrukt om de cijfers snel in te stellen (max. instelling: 99 minuten **(4)**).
- Druk op de knop **SEC (2)** om de seconden in te stellen. Houd de knop ingedrukt om de cijfers snel in te stellen (max. instelling: 59 seconden **(5)**).
- Druk op de knop **Start / Stop: ► / ■ (3)**.
- Als de gewenste tijd is bereikt, zal het alarm 30 seconden klinken en zal de aftelling automatisch herstarten van de vorige tijdsinstelling.

### Optellen instellen:

- Druk op de knop **Start / Stop: ► / ■**. Tijdens het optellen, zal het scherm de aflezing in minuten en seconden weergeven.
- Druk nogmaals op de knop om de timer te stoppen. (Max. instelling: 99 minuten **(4)**, 59 seconden **(5)**).

### De tijd wissen:

- Druk zowel de knop **MIN** als de knop **SEC**: ☹ tegelijkertijd in **(1)(2)**.

*Nb: de tijdsinstelling van de eenheid kan verloren gaan als de timer wordt gebruikt in een omgeving met elektrostatische ontlading. In dit geval dient u de eenheid te resetten en de tijdsinstelling opnieuw in te stellen.*

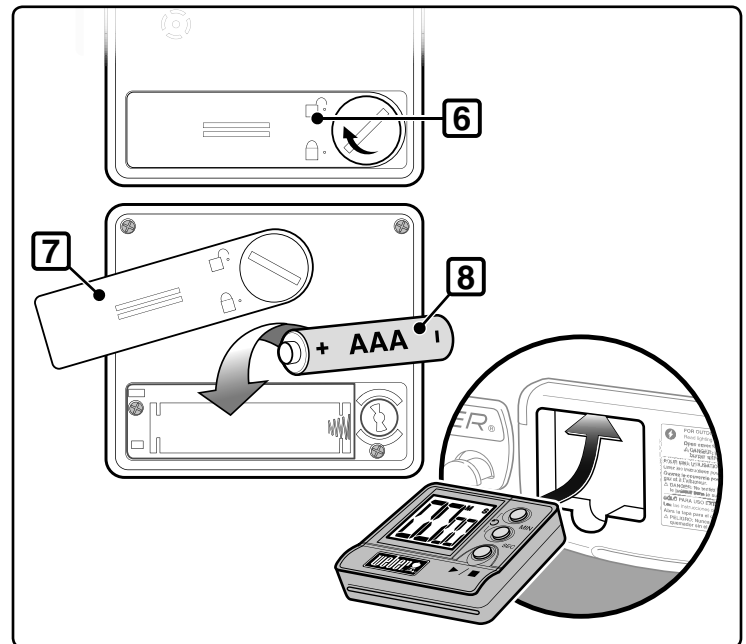
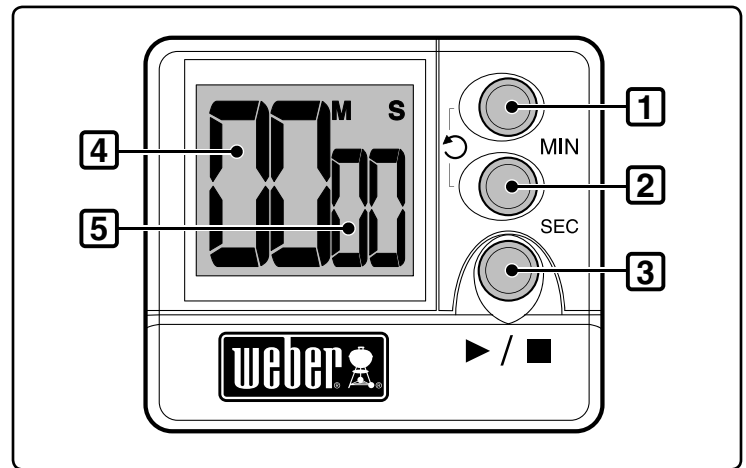
### Plaatsen van batterij:

- Ontgrendel de batterijdeksel aan de achterzijde van de timer **(6)** door de vergrendeling naar rechts te draaien.
- Verwijder de batterijdeksel van de achterzijde van de timer **(7)**.
- Vervang de AAA-batterij **(8)**.
- Plaats de batterijdeksel weer terug.
- Vergrendel de batterijdeksel door de vergrendeling naar links te draaien.
- Nadat de batterij is geplaatst, zal **(0000)** worden weergegeven op het LCD-scherm.

### Onderhoud:

- Reinig de eenheid niet met schurende of corroderende stoffen, die de onderdelen van de eenheid kunnen bekrassen of corrosie kunnen veroorzaken aan de elektronische circuits.
- Stel de eenheid niet bloot aan overmatige kracht, schokken, stof, temperaturen of luchtvochtigheid, wat kan leiden tot defect raken van de eenheid, de elektronische levensduur kan verkorten, schade aan de batterij kan veroorzaken en onderdelen kan vervormen.
- De interne onderdelen van de eenheid niet proberen te veranderen. Dit kan de garantie op de eenheid ongeldig verklaren en kan onnodige schade veroorzaken aan de batterij en de interne onderdelen.
- De eenheid niet blootstellen aan overmatige blootstelling aan direct zonlicht of hevige regen.
- Dit apparaat niet onderdompelen in water.

**Voor de beste prestatie van de digitale kooktimer, raden wij aan om de timer binnenshuis te bewaren als deze niet wordt gebruikt.**



PROBLEEM	CONTROLEER	OPLOSSEN
De branders hebben een gele of oranje vlam en u ruikt gas.	Controleer de brander op mogelijke verstoppingen.	Maak de brander schoon. (Raadpleeg het hoofdstuk "Onderhoud".)
Brander brandt niet of de vlammen zijn laag.	Is het gasbusje bijna leeg of leeg?	Vervang het gasbusje.
	Is de brandstofslang gebogen of geknikt?	Trek de brandstofslang recht.
	Kunt u de brander wel met lucifers aansteken?	Wanneer de brander met lucifers kan worden aangestoken, controleer dan het ontstekingsstelsel.
	Is de slang goed aangesloten op de branderslang?	Sluit de gasslang aan op de branderslang met de bijgeleverde metalen bevestigingsklem. <b>⚠ GEVAAR: Gebruik het gasontstekingsmechanisme niet als de bevestigingsklem ontbreekt. Een ontbrekende bevestigingsklem kan ernstig lichamelijk letsel of de dood en schade aan eigendommen tot gevolg hebben.</b> Neem contact op met de klantendienst voor een reservebevestigingsklem.
De vlammen van de brander branden onregelmatig.	Is de brander schoon?	Maak de brander schoon. (Raadpleeg het hoofdstuk "Onderhoud".)
Brander gaat niet aan als u op de ontstekingsknop drukt.	Controleer of er gas naar de branders stroomt door de branders met een lucifer aan proberen te steken. Raadpleeg "HANDMATIG AANSTEKEN."	Het probleem zit bij het ontstekingsstelsel als de brander wel brandt met een lucifer. Raadpleeg "WERKING VAN ELEKTRONISCHE ONTSTEKINGSSYSTEEM."
	Is er een nieuwe batterij geplaatst?	Controleer of de batterij in goede staat verkeert en goed is geïnstalleerd. Raadpleeg "CONTROLE VAN ELEKTRONISCHE ONTSTEKING."
	Zijn de draden goed aangesloten op de ontstekingsmodule?	Controleer of de bedrading goed is aangebracht in de aansluitpunten van de ontstekingskast. Raadpleeg "WERKING VAN ELEKTRONISCHE ONTSTEKINGSSYSTEEM."
	Zit er een kunststof wikkel rond de nieuwe batterij?	Verwijder de kunststof wikkel.
Timer werkt niet.	Is er een nieuwe batterij geplaatst?	Controleer of de batterij in goede staat verkeert en goed is geïnstalleerd. Raadpleeg "WERKING VAN TIMER."
Het lijkt alsof de binnenkant van het deksel afbladdert. (Lijkt op afgebladderd lak.)	Wat u ziet is aangebrand vet dat verkoold is en afbladdert. <b>DIT IS GEEN DEFECT.</b>	Maak het deksel grondig schoon. (Raadpleeg het hoofdstuk "Reinigen".)

Wanneer een probleem niet verholpen kan worden aan de hand van deze instructies, dan kunt u contact opnemen met een vertegenwoordiger van de klantendienst in uw regio via "Neem contact op" op onze website. Meld u aan op [www.weber.com](http://www.weber.com).

## ONDERHOUD

Wanneer de barbecue gedurende een langere tijd niet is gebruikt, raden wij u aan dat u om veiligheidsredenen de volgende procedures volgt.

- Controleer de slang voor elk gebruik van de barbecue op krassen, barsten, slijtageplekken of insnijdingen. De barbecue niet gebruiken als de slang op enige wijze is beschadigd. Vervang de slang alleen met een door Weber® goedgekeurde reserveslang. **Neem contact op met een vertegenwoordiger van de klantenservice in uw regio. Hiervoor kunt u de contactgegevens op onze website gebruiken. Surf naar [www.weber.com](http://www.weber.com).**

**⚠ LET OP: Indien de gasslang van de barbecue op enige wijze is beschadigd of lekt, de barbecue niet gebruiken.**

- Controleer de brander op een goed vlampatroon (zie het gedeelte "Vlampatroon van brander"). Reinig, zo nodig, de brander volgens de procedures die in dit gedeelte staan.
- Controleer alle gasaansluitingen op lekkage (zie het gedeelte "Controleren op gaslekkage").

## PERIODIEKE REINIGING

As uit de kuip verwijderen: beweeg de instelstang (1) van links naar rechts zodat de bladen van de instelkleppen de as door de ventilatieopeningen van de kuip in de aslade duwen.

**⚠ LET OP: Controleer of de brander uit staat (OFF) en de barbecue is afgekoeld voordat u reinigingswerkzaamheden uitvoert.**

Vergroot de branderpoorten niet tijdens het schoonmaken.

### De brander reinigen:

- Borstel de buitenzijde van de branderslang (2) en het branderpoortgedeelte (3) met een draadborstel.

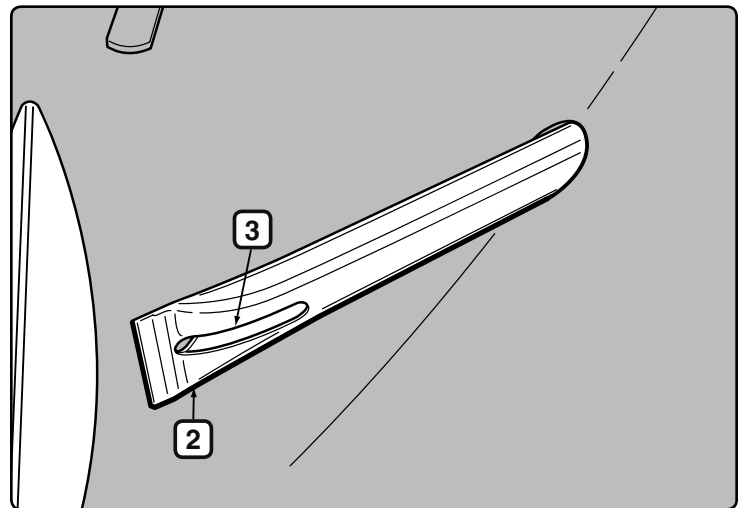
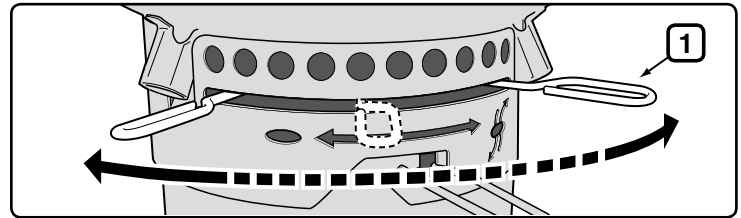
**⚠ LET OP: De branderopeningen of de gasopening niet vergroten tijdens het reinigen.**

### De barbecue reinigen:

- Veeg, wanneer het deksel warm is, de binnenzijde met een papieren doek schoon om ophoping van vet te voorkomen.
- Gebruik voor de buitenoppervlakken warm zeepwater en spoel goed na met schoon water.

Voor een grondigere reiniging (ten minste eenmaal per jaar uitvoeren):

- Verwijder de as nadat de briketten volledig zijn gedooft.
- Verwijder de roosters en Char-Baskets™ (brikettenhouders).
- Schoonvegen met keukenpapier. Wassen met een mild reinigingsmiddel en water. Goed afspoelen met schoon water en afdrogen.



## OPSLAAN

- Als de Performer-barbecue buiten wordt opgeslagen, moet de gastoevoer worden ontkoppeld en het gasbusje buiten op een goed geventileerde plek worden opgeslagen.
- Het gasbusje moet buitenshuis worden opgeslagen op een goed geventileerde plek buiten het bereik van kinderen en mag niet worden opgeslagen in een gebouw, garage of enig ander gesloten gebied.
- Na een opslagperiode en/of langere periode van ongebruik, moet de barbecue vóór gebruik worden gecontroleerd op gaslekkages en enige verstoppingen van de branderslang (zie het gedeelte "Onderhoud").
- Controleer vóór gebruik of de gebieden rond de cilinder, slang en brander vrij zijn van vuil, wat de toevoer van gas of lucht kan verhinderen.



**LET OP INSECTEN**

Uw Performer-barbecue, net als andere gasapparatuur voor buitenshuis, trekt spinnen en andere insecten aan. Ze kunnen zich nestelen in het venturi-gedeelte (1) van de branderslang, waardoor het gas uit de luchtafsluiter stroomt.

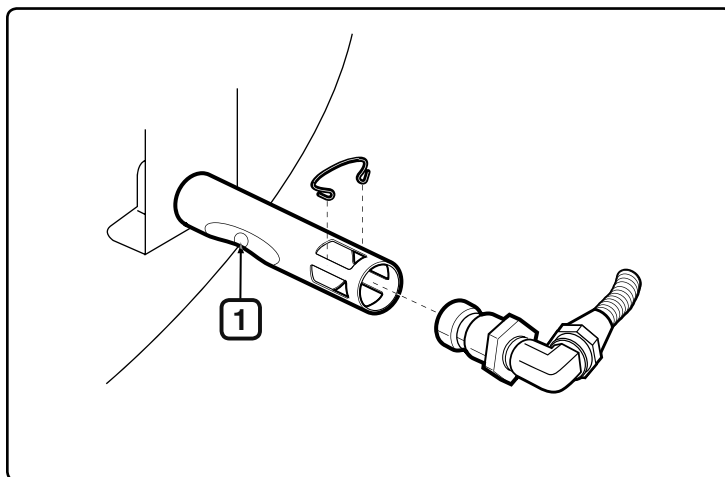
Dit kan leiden tot brand in en rond de branderslang onder het kuippaneel. Dit kan uw barbecue ernstig beschadigen, waardoor het niet veilig is voor gebruik.

Wij raden ten zeerste aan dat u de branderslang ten minste jaarlijks controleert en reinigt, of indien een van de volgende symptomen optreden:

- A) U ruikt een gaslucht en de vlammen van de brander zien er heel erg geel en niet krachtig uit.
- B) De brander maakt ploppende geluiden.

**⚠ GEVAAR**

**Wanneer deze problemen niet worden verholpen, kan er brand ontstaan met ernstig of fataal letsel en beschadiging van eigendommen als gevolg.**

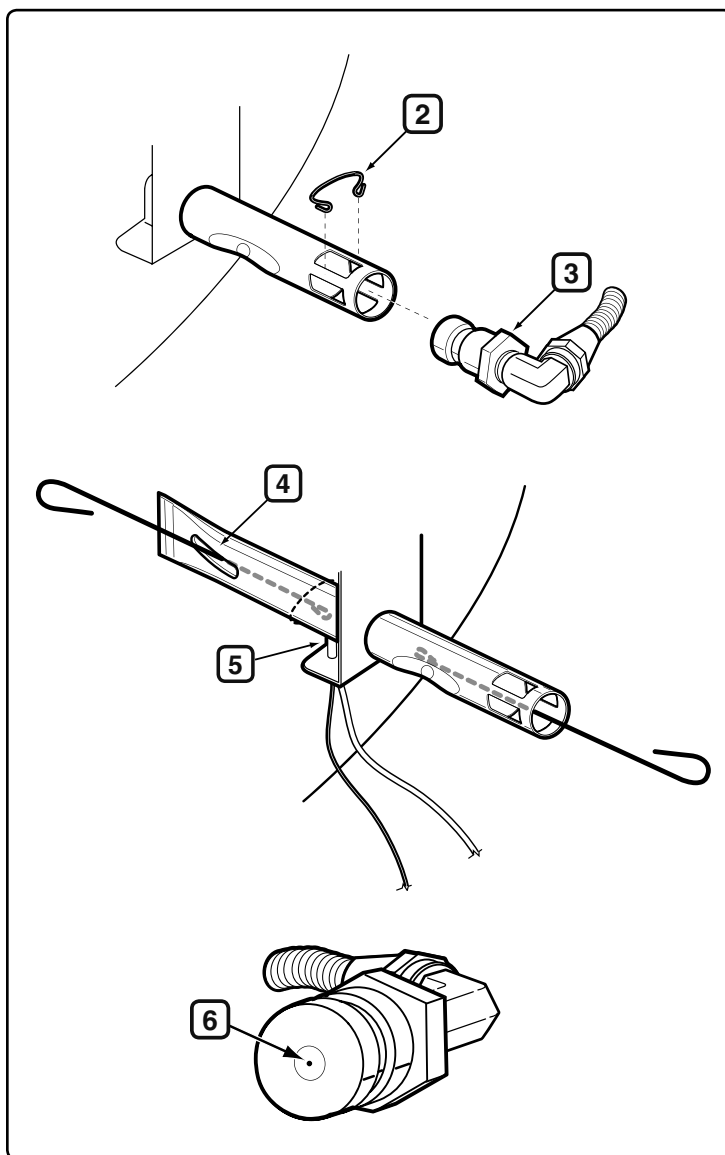


**DE BRANDER CONTROLEREN EN REINIGEN**

- A) Draai het gas dicht (OFF).
- B) Verwijder de CharBin™ voorraadcontainer.
- C) Verwijder de openingklem (2) en slangaansluiting (3) van de branderslang.
- D) Inspecteer met een zaklamp de binnenkant van de brander.
- E) Reinig de binnenzijde van de branders met de draadluciferhouder (bijgeleverd). Gebruik de schroefdraad om het luchtafsluitergebied, het venturi-gebied en de branderopeningen (4) te reinigen aan de binnenzijde van de kuip. Wees voorzichtig bij het inbrengen van het reinigingshulpmiddel van de brander om de ontstekings elektrode (5) niet te beschadigen.
- F) Controleer opnieuw met een zaklamp om te kijken of er geen verstoppingen zijn.
- G) Zo nodig kan het oppervlak van de slangaansluiting worden gereinigd met een draadborstel. De opening (6) kan worden gereinigd met een kleine pin.

**⚠ LET OP: Vergroot de openingen niet tijdens het schoonmaken.**

- H) Zet alles weer in elkaar door stap B en C in omgekeerde volgorde uit te voeren.

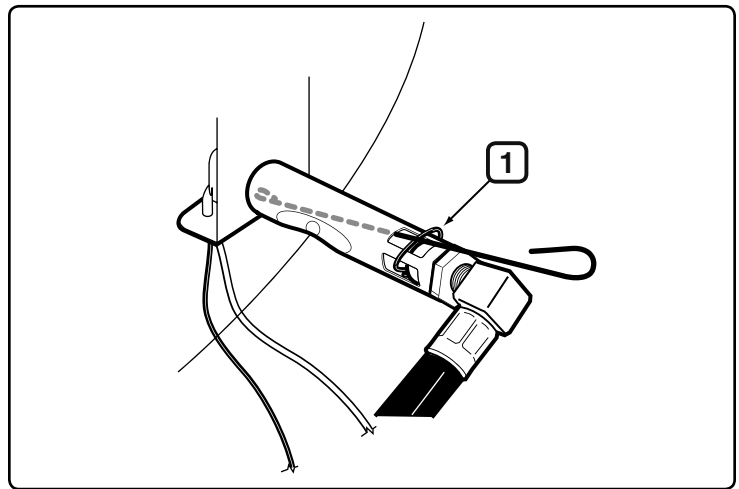


### PERIODIEK SNEL REINIGEN

Wij raden aan dat u periodiek de buitenzijde van de brandersleuven afborstelt met een draadborstel en de branderbuis schoonmaakt via de warme-luchtopening met de bijgeleverde luciferhouder.

Dit kan worden uitgevoerd door de warme-luchtopening (1) onder de kuipbeugel te vinden en het hulpmiddel door elke warme-luchtopening te plaatsen, waarbij u het hulpmiddel draait. Wees voorzichtig bij het insteken van de luciferhouder dat u de ontstekingselektrode niet beschadigt.

**⚠ LET OP: Het is belangrijk om deze reinigingsprocedure vaker uit te voeren tijdens de lente- en zomermaanden.**



### CONTROLE VAN ELEKTRONISCHE ONTSTEKING

Als het elektronische ontstekingsstelsel niet aanslaat, dient u te controleren of er gas wordt aangevoerd door de branders met een lucifer aan te steken. Raadpleeg "HANDMATIG AANSTEKEN". Als de brander met een lucifer aangestoken kan worden, ligt het probleem bij de elektronische ontsteking.

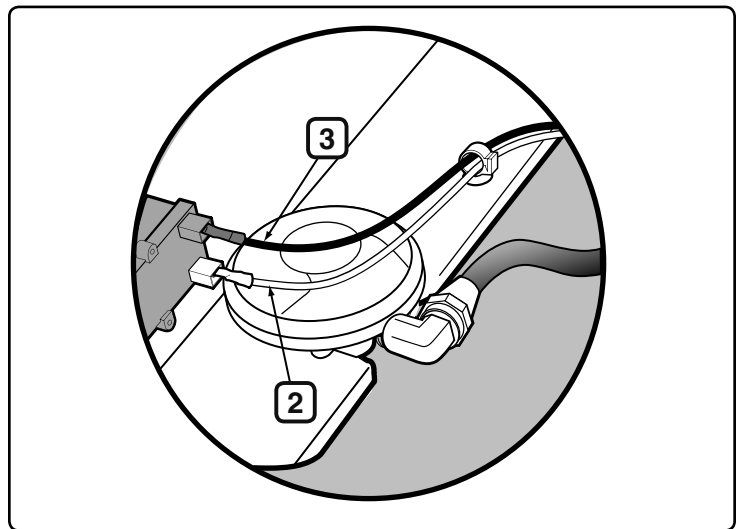
**⚠ WAARSCHUWING: De gasregelklep dient in de 'OFF'-stand te staan.**

- Controleer of de AAA-batterij (alleen alkaline) in goede staat is en goed is geïnstalleerd (1). Sommige batterijen zijn voorzien van een kunststof beschermende wikkel. Deze wikkel dient verwijderd te worden. Verwar deze kunststof wikkel niet met het etiket van de batterij.
- Controleer of de witte (2) en zwarte (3) ontstekingsdraden goed zijn aangesloten.
- Controleer of de elektronische ontstekingsknop werkt door te letten en te luisteren naar vonken bij de brander.
- Controleer of het ontstekingsmechanisme los in het frame ligt. Zo nodig vastzetten; raadpleeg de stap "Installeren" voor de juiste procedure.

### Vervang Zonodig De Batterij

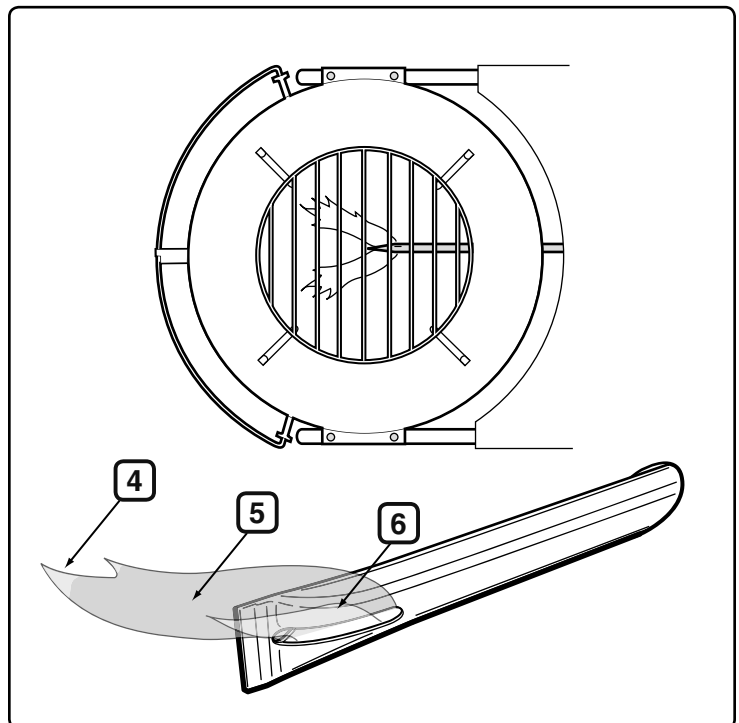
*Alleen AAA alkaline batterij.*

**Wanneer u nog steeds de brander niet kunt aansteken met het elektronische ontstekingsstelsel, kunt u contact opnemen met een vertegenwoordiger van de klantendienst in uw regio via "Neem contact op" op onze website. Surf naar [www.weber.com](http://www.weber.com).**



### VLAMPATROON VAN DE BRANDER

De brander is in de fabriek ingesteld op een juiste verhouding gas-lucht. Een juist vlampatroon heeft een geelachtige staart (4), is donkerblauw in het midden (5) en lichtblauw bij de branderslang (6). Als de vlammen er anders uitzien als weergegeven of als er "ploppende" geluiden te horen zijn, moet u de reinigingsprocedure voor de brander uitvoeren.





**⚠ LET OP!: Dit product is getest op veiligheid en is alleen gecertificeerd voor gebruik in een specifiek land. Raadpleeg de landenaanduiding op de buitenverpakking.**

Deze onderdelen kunnen gas bevatten of gas verbranden. Neem contact op met de klantenservice van Weber-Stephen Products LLC voor informatie over originele reserveonderdelen van Weber-Stephen Products LLC.

**⚠ WAARSCHUWING: Repareer onderdelen die bedoeld zijn voor gas of gasverbruik niet voordat u contact heeft opgenomen met de klantenservice van Weber-Stephen Products LLC. Wanneer u zich niet aan deze productwaarschuwing houdt, kan er brand of een explosie ontstaan met ernstig of fataal letsel en beschadiging van eigendommen tot gevolg.**

**Dit symbool geeft aan dat het product niet bij het huisvuil kan worden weggegooid. Raadpleeg voor informatie over het correct afvoeren van dit product in Europa de internetpagina op [www.weber.com](http://www.weber.com)<sup>®</sup> en neem contact op met de vermelde importeur in uw land. Neem contact op met uw dealer voor de naam, het adres en het telefoonnummer van de importeur, indien u geen internetverbinding heeft.**

Wanneer u uw barbecue wilt wegdoen of weggooien, dienen alle elektrische onderdelen (bijv. grillmotor, batterijen, ontstekingsmodule, handgreepverlichtingen) te worden afgevoerd volgens de WEEE. De onderdelen dienen apart van de barbecue te worden afgevoerd.



WEBER-STEPHEN PRODUCTS LLC  
[www.weber.com](http://www.weber.com)<sup>®</sup>



# PERFORMER® DELUXE

## Manual do Utilizador do Grelhador a Carvão

Montagem - p. 5

#54785



**ANTES DE UTILIZAR O GRELHADOR A GÁS LEIA ATENTAMENTE ESTE MANUAL DO UTILIZADOR**

### ⚠ PERIGO

Se sentir o cheiro a gás:

1. Feche imediatamente o gás que alimenta o equipamento.
2. Apague quaisquer chamas que tenham surgido.
3. Abra a tampa.
4. Se o cheiro persistir, afaste-se do equipamento e contacte imediatamente o seu fornecedor de gás ou os bombeiros da sua área.

Uma fuga de gás pode causar um incêndio ou uma explosão com possíveis ferimentos graves ou morte, ou ainda danos materiais.

⚠ **AVISO:** Efectue cuidadosamente todos os procedimentos de verificação de fugas deste manual antes de utilizar o grelhador. Faça-o mesmo que o grelhador tenha sido montado pelo representante.

### ⚠ AVISO:

1. Não armazene nem utilize combustível ou outro vapor ou líquido inflamável junto deste ou de outro equipamento qualquer.
2. Uma botija de fornecimento de gás não ligada para utilização não deve ser armazenada junto deste ou de outro equipamento qualquer.

⚠ **AVISO:** Não tente acender o grelhador a gás Weber® sem ter lido, em primeiro lugar, as instruções de “Acendimento” neste manual.

### INFORMAÇÃO PARA O INSTALADOR:

Este manual deverá ficar na posse do proprietário, que deverá guardá-lo para utilização futura.

**UTILIZAR APENAS NO EXTERIOR.**

O NÃO CUMPRIMENTO DESTES AVISOS DE PERIGO, PRECAUÇÃO E CUIDADO PODE CAUSAR FERIMENTOS CORPORAIS GRAVES, MORTE, INCÊNDIOS OU EXPLOSÃO, RESULTANDO EM DANOS MATERIAIS.

- △ Os SÍMBOLOS DE SEGURANÇA ( △ ) irão alertá-lo para informações de SEGURANÇA importantes.
- △ As palavras sinalizadoras PERIGO, AVISO ou ATENÇÃO serão utilizadas com o SÍMBOLO DE SEGURANÇA.
- △ PERIGO irá identificar o perigo mais grave.
- △ Antes de utilizar o grelhador, leia toda a informação de segurança contida neste Manual do Utilizador.

#### △ PERIGOS

- △ O não cumprimento das recomendações sobre Perigos, Avisos e chamadas de Atenção contidas neste manual, poderá originar ferimentos graves ou morte, ou ainda danos materiais decorrentes de possível incêndio ou explosão.
- △ Não utilize em espaços interiores! Este grelhador destina-se apenas a uma utilização no exterior. Se for utilizado no interior, acumulará fumos tóxicos e provocará ferimentos corporais graves ou morte.
- △ Este grelhador só deve ser utilizado em áreas exteriores bem ventiladas. Não utilize numa garagem, edifício ou qualquer outro espaço fechado.
- △ Não utilize este grelhador sob qualquer construção combustível.
- △ Uma montagem inadequada pode ser perigosa. Siga as instruções de montagem contidas neste manual. Apenas utilize o grelhador quando todas as peças estiverem devidamente colocadas. Certifique-se de que o colectador de cinzas está correctamente encaixado nas pernas sob a taça do grelhador ou de que o colectador de cinzas de alta capacidade está no devido lugar, antes de acender o grelhador.
- △ Não adicione fluido para acender o carvão ou carvão embebido no mesmo para queimar ou aquecer o carvão. Tape o fluido de ignição após a utilização e coloque-o a uma distância segura do grelhador.
- △ Nunca utilize combustível, líquido para atear o fogo ou álcool no carvão. Nunca utilize qualquer forma de carvão auto-combustível.
- △ Deve ter cuidado quando utilizar o grelhador. Durante a confecção dos alimentos, ficará quente, não devendo ser abandonado enquanto estiver em funcionamento.
- △ Não deixe crianças ou animais de estimação sem vigilância perto de um grelhador quente.
- △ Não tente deslocar um grelhador quente.
- △ Não utilize este grelhador a uma distância inferior a 1,5 m de materiais combustíveis. Materiais combustíveis incluem, entre outros, varandas de madeira ou madeira tratada, pátios e alpendres.
- △ Nunca devem existir materiais combustíveis a uma distância igual ou inferior a 60 cm da parte superior, inferior, posterior ou lateral do grelhador.
- △ Mantenha a área onde cozinha sem vapor e líquidos inflamáveis, como gasolina, álcool, etc., e material combustível.
- △ Retire as cinzas após o carvão estar completamente queimado e extinto e o grelhador frio.
- △ Coloque sempre carvão em Char-Baskets™ ou em cima da grelha (de carvão) inferior. Não coloque carvão directamente no fundo da taça.
- △ Não use roupa com mangas largas quando acender ou usar o grelhador.
- △ Nunca se incline sobre o grelhador para acender o queimador de gás.
- △ Não utilize o grelhador quando houver ventos fortes.
- △ Não utilize o grelhador se detectar uma fuga de gás.
- △ Não utilize uma chama para verificar se existem fugas de gás.
- △ Se o queimador se apagar durante a utilização, desligue a válvula do depósito. Retire a tampa e aguarde cinco minutos antes de voltar a ligar cumprindo as instruções de acendimento indicadas neste Manual.
- △ Não tente desligar o regulador de gás do depósito ou qualquer acessório de gás enquanto utilizar o grelhador.
- △ Utilize apenas o regulador de GPL fornecido com o grelhador.

#### △ AVISOS

- △ Siga as instruções de ligação do regulador para o tipo de grelhador que adquiriu.
- △ Não armazene qualquer cartucho descartável de GPL de reserva ou desligado por baixo ou perto do grelhador.
- △ Mantenha sempre o grelhador numa superfície segura e nivelada, isenta de materiais combustíveis.
- △ Não coloque uma tampa de grelhador ou qualquer outro objecto inflamável em cima ou dentro da área de armazenamento localizada por baixo do grelhador.
- △ Retire sempre a tampa antes de acender o queimador de gás, manualmente ou com o botão de ignição. A tampa deve permanecer retirada até que o carvão esteja totalmente aceso.
- △ Nunca toque nas grelhas de confecção ou de carvão, nas cinzas, no carvão ou no grelhador para verificar se estão quentes.
- △ Não utilize pedra de lava ou carvão de pedra neste grelhador.
- △ Não utilize água para controlar as chamas ou para extinguir as brasas, pois tal poderá danificar o acabamento em porcelana. Feche ligeiramente as aberturas de ventilação inferiores (amortecedores) e coloque a tampa na taça.
- △ Apague as brasas quando terminar a grelhagem. Feche todas as aberturas de ventilação (amortecedores) após colocar a tampa na taça.
- △ Deve usar sempre luvas durante a grelhagem, ajuste das aberturas de ventilação (amortecedores), adição de carvão e manuseamento do termómetro ou da tampa.
- △ Utilize ferramentas de churrasco adequadas, com pegas longas e resistentes ao calor.
- △ Alguns modelos podem incluir a funcionalidade de suporte de tampa Tuck-Away™. O suporte de tampa Tuck-Away™ é utilizado para guardar a tampa enquanto verifica ou vira os alimentos. Não utilize o suporte de tampa Tuck-Away™ como uma pega para levantar ou deslocar o grelhador. Não coloque uma tampa quente sobre superfícies atapetadas ou erva. Não pendure a tampa na pega da taça.
- △ Nunca deite brasas quentes em locais onde possam ser pisadas ou causar perigo de incêndio. Nunca deite fora cinzas ou brasas antes de estarem totalmente extintas. Não guarde o grelhador até as cinzas ou brasas estarem totalmente extintas.

- ⚠ Manuseie e armazene acendedores eléctricos quentes com cuidado.
- ⚠ Mantenha os fios e cabos eléctricos afastados das superfícies quentes do grelhador e de zonas de passagem.
- ⚠ Após um período de armazenamento e/ou não utilização, verifique se existem fugas de gás e obstruções no queimador antes de utilizar o grelhador. Consulte as instruções deste manual para obter os procedimentos correctos.
- ⚠ A conversão ou tentativa de utilização de gás natural neste grelhador é perigosa e anulará a garantia do mesmo.
- ⚠ Cartuchos descartáveis de GPL com fissuras ou ferrugentos podem ser perigosos, pelo que deverão ser verificados pelo fornecedor de propano líquido. Não utilize um cartucho descartável de GPL que possua uma válvula danificada.
- ⚠ Mesmo que o cartucho descartável pareça estar vazio, é possível que contenha gás. O cartucho descartável de GPL deve ser transportado e armazenado em conformidade.
- ⚠ Se vir, cheirar ou ouvir gás a ser libertado do cartucho descartável de GPL:
  1. Afaste-se do cartucho descartável de GPL.
  2. Não tente corrigir o problema sozinho.
  3. Contacte os bombeiros da sua área.

⚠ ATENÇÃO

- ⚠ O revestimento da taça com folha de alumínio irá obstruir o fluxo de ar. Em vez disso, utilize um colectador de pingos para recolher os pingos de carne ao cozinhar pelo método indirecto.
- ⚠ A utilização de objectos afiados para limpar a grelha de confecção ou remover as cinzas irá danificar o acabamento.
- ⚠ A utilização de detergentes abrasivos nas grelhas de confecção ou no próprio grelhador irá danificar o acabamento.
- ⚠ O grelhador deve ser limpo de forma regular e meticulosa.

GARANTIA

A Weber-Stephen Products LLC, (Weber®) garante ao COMPRADOR ORIGINAL deste grelhador a gás Weber®, que não tem defeitos de material e mão-de-obra a partir da data em que foi adquirido, da seguinte forma:

Grelhas de confecção/carvão	2 anos
Sistema de limpeza de lâminas aluminizadas/peças revestidas One-Touch™	5 anos
Sistema de limpeza em aço inoxidável One-Touch™	10 anos
Taça e tampa contra ferrugem/fissuras provocadas pelo calor	10 anos
Pegas de nylon	10 anos
Peças termoplásticas/termoendurecidas (Performer®)	10 anos
	excluindo o desgaste
Todas as restantes peças	2 anos

quando montado e utilizado de acordo com as instruções impressas que acompanham o equipamento.

A Weber poderá solicitar-lhe que apresente um comprovativo da data de compra. PARA ISSO, GUARDE O TALÃO DE COMPRA OU A FACTURA.

Esta garantia limitada, restringir-se-á à reparação ou substituição de peças que estejam comprovadamente defeituosas em situação de utilização e assistência normal e que, após verificação, esta indique, na perspectiva da Weber, que estão defeituosas. Antes de devolver as peças, contacte o representante do serviço de assistência ao cliente da sua área através das informações de contacto no nosso website. Se a Weber confirmar o defeito e concordar com a reclamação, optará por substituir as peças em questão sem qualquer custo. Se for necessário devolver as peças defeituosas, os custos de envio são pagos pelo cliente. A Weber devolverá as peças ao comprador, com o frete ou despesas de envio por sua conta.

Esta garantia limitada não cobre quaisquer falhas ou dificuldades de operação devido a acidente, utilização abusiva, utilização incorrecta, alteração, utilização para fim não previsto, vandalismo, instalação incorrecta ou manutenção ou assistência inadequadas. ou ainda falta de manutenção normal ou regular, incluindo, entre outros, danos causados por insectos no interior dos tubos do queimador, conforme indicado no manual do utilizador.

A deterioração ou danos provocados por condições atmosféricas graves tais como granizo, furacões, sismos ou tornados, e a descoloração devido a exposição directa a produtos químicos ou contidos na atmosfera, não estão ao abrigo desta garantia limitada.

Não existem outras garantias expressas excepto as aqui mencionadas e quaisquer garantias implícitas aplicáveis de comercialização e adequação possuem uma duração limitada ao período de cobertura desta garantia limitada expressa por escrito. Em algumas regiões, não é permitida a limitação da duração de uma garantia implícita, pelo que esta limitação poderá não ser aplicável no seu caso.

A Weber não é responsável por quaisquer danos especiais, indirectos ou consequenciais. Em algumas regiões não é permitida a exclusão ou limitação de danos indirectos ou consequenciais, pelo que esta limitação ou exclusão poderá não ser aplicável no seu caso.

A Weber não autoriza qualquer pessoa ou empresa a assumir em seu nome qualquer outra obrigação ou responsabilidade ligada à venda, instalação, utilização, remoção ou substituição deste equipamento: essa representação não implica qualquer vínculo para a Weber.

Esta garantia aplica-se apenas a produtos vendidos a retalho.

Visite [www.weber.com](http://www.weber.com)®, seleccione o seu país de origem e registe já o seu grelhador.

TUBO, REGULADOR E VÁLVULA DE SUBSTITUIÇÃO

- ⚠ **AVISO IMPORTANTE: Recomendamos que substitua o tubo do gás do seu grelhador a gás Weber cada 5 anos. Alguns países podem requerer que o tubo do gás seja substituído num espaço inferior a 5 anos e, nesse caso, o requisito desse país tem precedência.**

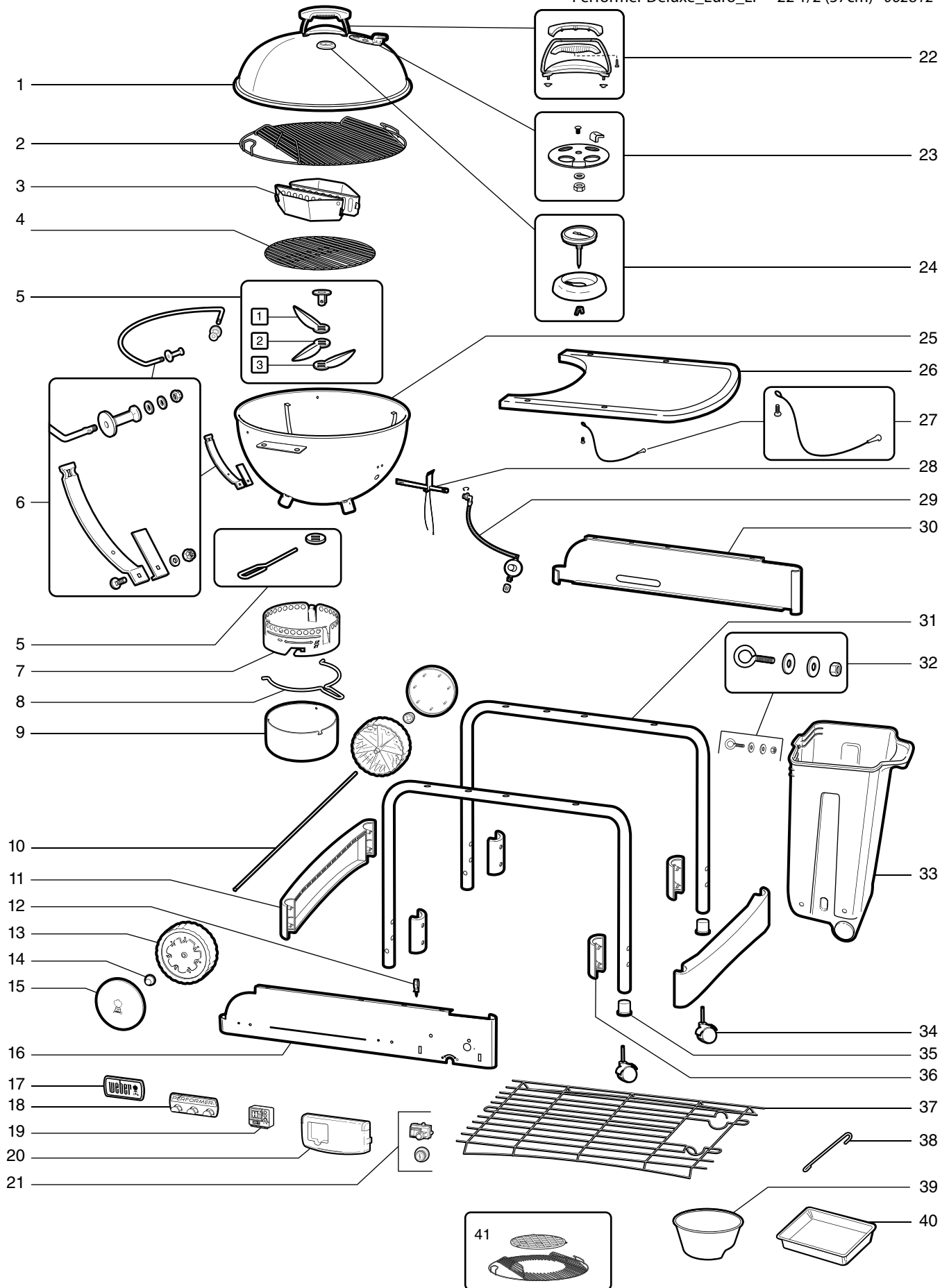
Para obter um tubo, regulador e válvula de substituição, contacte o representante do serviço de assistência ao cliente da sua zona através da informação de contacto contida no nosso Web site. Aceda a [www.weber.com](http://www.weber.com)®.

PAÍS

TIPO E PRESSÃO DE GÁS

Dinamarca, Suécia, Noruega, Finlândia, Inglaterra, Holanda, Reino Unido, França, Espanha, Portugal, Bélgica, Irlanda, Grécia, Luxemburgo, Itália, Alemanha, Áustria	I <sub>3B/P</sub> - 29 mbar	
<b>DADOS DE CONSUMO</b>		
Acendimento do queimador. Máx.		
Mistura de propano/butano	<b>kW(Hs)</b>	<b>gm(Hs)</b>
	2,6	192

Performer Deluxe\_Euro\_LP- 22 1/2 (57cm) 062812





- |                                          |                                            |                                                      |
|------------------------------------------|--------------------------------------------|------------------------------------------------------|
| 1. Tampa                                 | 15. Tampa da roda                          | 29. Tubo flexível e regulador com grampo do orifício |
| 2. Grelha de confecção articulada        | 16. Painel frontal                         | 30. Painel traseiro                                  |
| 3. Char-Baskets™                         | 17. Placa com o logótipo                   | 31. Perna da estrutura                               |
| 4. Grelha de carvão                      | 18. Suportes para ferramentas              | 32. Equipamento CharBin™                             |
| 5. Sistema de Limpeza One-Touch™         | 19. Temporizador Digital de Confecção      | 33. CharBin™                                         |
| 6. Suporte da tampa e suporte inferior   | 20. Tampa do controlo de gás               | 34. Rodas                                            |
| 7. Anel do colector de cinzas            | 21. Botão de Ignição / Módulo do Acendedor | 35. Inserções das rodas                              |
| 8. Pega do colector de cinzas            | 22. Pega da tampa                          | 36. Grampo do suporte da estrutura da perna          |
| 9. Colector de cinzas de alta capacidade | 23. Amortecedor da tampa                   | 37. Tabuleiro inferior                               |
| 10. Eixo                                 | 24. Termómetro                             | 38. Suporte para Fósforos                            |
| 11. Suporte da estrutura da perna        | 25. Taça                                   | 39. Taça para Carvão                                 |
| 12. Tirante do fio de ignição            | 26. Mesa                                   | 40. Colector de pingos descartável                   |
| 13. Roda                                 | 27. Corrente de retenção CharBin™          |                                                      |
| 14. Tampa do cubo                        | 28. Queimador                              |                                                      |

**PODE INCLUIR:**

41. Grelha de crestagem com grelha de confecção articulada

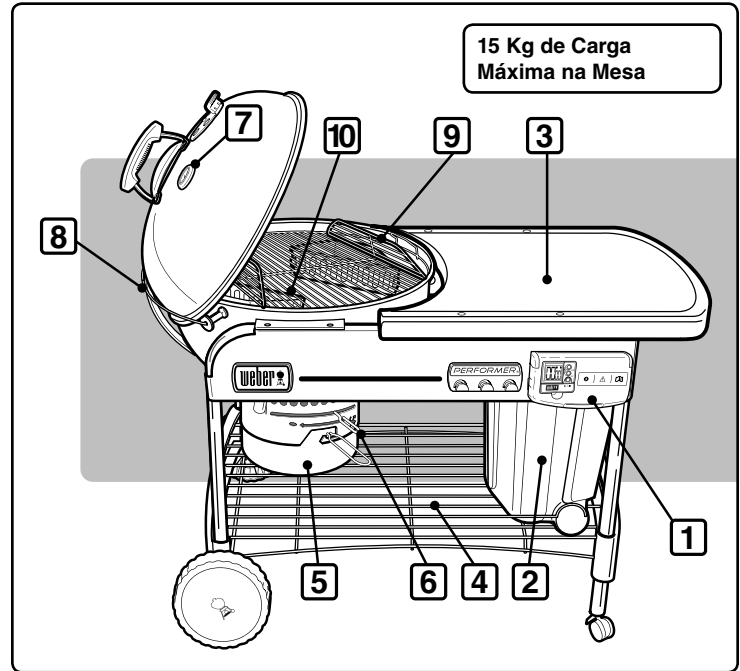
Se tiver dúvidas ou necessitar de conselhos sobre o seu grelhador ou sobre como utilizá-lo com segurança, consulte o site [www.weber.com](http://www.weber.com).

- Estas instruções fornecem-lhe os requisitos mínimos para poder montar o grelhador Weber®. Leia atentamente as instruções antes de utilizar o grelhador a Weber®. Uma montagem inadequada pode ser perigosa.
- O grelhador não pode ser utilizado por crianças.
- Este grelhador Weber® foi concebido para ser utilizado apenas com gás propano ou uma mistura de gás propano/butano. Não utilize o grelhador com gás natural. A válvula e o regulador destinam-se apenas a gás propano ou a uma mistura de gás propano/butano.
- Este grelhador a gás Weber® não se destina a ser utilizado para fins comerciais.

## CARACTERÍSTICAS

- Sistema de ignição de gás Touch-N-Go™ exclusivo, que elimina os inconvenientes de acender briquetes de carvão (1). Basta premir continuamente um botão para o queimador de gás do sistema entrar em ignição, acendendo o carvão. Não é necessário usar ou armazenar acendalhas líquidas perigosas, deixando de se sentir o desagradável sabor das acendalhas líquidas nos alimentos.
- Recipiente de armazenamento CharBin™ com capacidade para comportar um saco de carvão com um peso máximo de 13,7 kg (2). O saco de carvão deve ser colocado directamente no recipiente de armazenamento CharBin™.
- A superfície de trabalho termo-regulável é uma excelente área de trabalho que cobre o recipiente de armazenamento CharBin™ para manter os briquetes secos (3).
- Tabuleiro inferior conveniente para armazenamento (4).
- Colector de cinzas de alta capacidade, que bloqueia no devido lugar, evitando que as cinzas sejam sopradas (5).
- Sistema de limpeza One-Touch®, que limpa facilmente as cinzas ou abre e fecha as aberturas de ventilação (6).
- Um termómetro monitoriza a temperatura no interior do grelhador (7).
- Tampa Tuck-Away™, que desliza para o suporta da tampa em aço e funciona como pára-vento ao acender os briquetes (8).
- Abas de acesso articuladas, que se abrem na grelha de confecção para adicionar facilmente briquetes ou pedaços de madeira durante a confecção (9).
- Suportes para carvão Char-Basket™, que concedem a flexibilidade de grelhagem indirecta conveniente e grelhagem directa concentrada com madeira ou carvão (10).

- O consumo de álcool e/ou substâncias prescritas ou não prescritas pelo médico pode diminuir a capacidade do respectivo consumidor para montar correctamente ou utilizar com segurança este equipamento.
- Este grelhador Weber® não se destina a ser utilizado como aquecedor, pelo que nunca deve ser utilizada como tal.
- Não deixe o grelhador Weber® sem vigilância. Mantenha sempre afastados do grelhador Weber® as crianças e os animais.
- Verifique se a área por baixo do painel de controlo e o tabuleiro inferior não contém resíduos que possam obstruir o fluxo de combustão ou a ventilação do ar.
- As partes vedadas pelo fabricante não devem ser alteradas pelo utilizador.
- Qualquer modificação efectuada no aparelho constitui um perigo potencial.



## ÁREA DE FUNCIONAMENTO

- ⚠ **AVISO:** Este grelhador só deve ser utilizado em áreas exteriores bem ventiladas. Não utilize numa garagem, edifício ou qualquer outro espaço fechado.
- ⚠ **AVISO:** As peças acessíveis podem ficar muito quentes. Mantenha o grelhador afastado das crianças.
- ⚠ Nunca utilize o grelhador sob qualquer construção combustível.
- ⚠ Este grelhador Weber® não se destina a ser instalado dentro ou sobre veículos de recreio e/ou barcos.
- ⚠ Não utilize materiais combustíveis a uma distância igual ou inferior a 60 cm da parte superior, inferior, posterior ou lateral do grelhador.
- ⚠ Quando o grelhador está a ser utilizado, toda a sua área fica quente. Não deixe o aparelho sem supervisão.
- ⚠ Mantenha o cabo de alimentação eléctrica e o tubo de fornecimento de combustível afastados de qualquer superfície aquecida.
- ⚠ Mantenha a área onde cozinha sem vapores e líquidos inflamáveis, como combustível, álcool, etc., e material combustível.
- ⚠ Não desloque o aparelho durante a utilização. Aguarde que o grelhador arrefeça antes de o deslocar.
- ⚠ Este aparelho não se destina a ser utilizado como aquecedor, pelo que nunca deve ser utilizado como tal.



**LIGAR O CARTUCHO DESCARTÁVEL DE GPL**

Utilize cartuchos descartáveis de GPL com um mínimo de capacidade de 430 g e um máximo de capacidade de 460 g. O cartucho deverá possuir uma válvula EN417, conforme ilustrado. Um tipo de cartucho que se pode utilizar é o modelo Primus 2202 ou o cartucho descartável de gás Weber Q.

**⚠ ATENÇÃO:** Utilize apenas bilhas marcadas com gás propano ou mistura de butano-propano.

Empurre o cartucho descartável de GPL para o interior do regulador e rode no sentido dos ponteiros do relógio até ficar apertado.

**⚠ AVISO:** Apertar apenas à mão. Se utilizar demasiada força, poderá danificar o acoplamento do regulador e provocar uma fuga ou falta de fluxo de gás.

**VERIFIQUE SE EXISTEM FUGAS DE GÁS:****⚠ PERIGO**

Não utilize uma chama aberta para verificar se existem fugas de gás. Certifique-se de que não existem faíscas ou chamas abertas na área enquanto estiver a verificar a existência de fugas. As faíscas ou chamas poderão resultar em incêndio ou explosão, que poderá causar ferimentos graves ou morte ou ainda danos materiais.

É necessário: um cartucho descartável de GPL, uma solução de água e detergente e um pano ou escova para a aplicar.

- Misture a água com detergente.
- Rode o controlo de gás para ON (ligado) rodando-o no sentido contrário ao dos ponteiros do relógio.
- Verifique se existem fugas molhando o acessório com a solução de água e detergente e verificando se surgem bolhas. Se surgirem bolhas, ou se uma bolha aumentar, é sinal de que existe uma fuga.

**VERIFIQUE:**

- Ligação entre o regulador e o cartucho descartável de GPL.
- ⚠ AVISO:** Se existir uma fuga na ligação (1), retire o cartucho descartável de GPL. Não utilize o grelhador. Utilize outro cartucho descartável de GPL e volte a verificar se existem fugas utilizando a solução de água com detergente. Se continuar a existir uma fuga após apertar o cartucho de GPL, desligue (OFF) o gás. **NÃO UTILIZE O GRELHADOR.** Contacte o representante do serviço de assistência ao cliente da sua área através da informação de contacto disponível no nosso website. Aceda a [www.weber.com](http://www.weber.com)®.

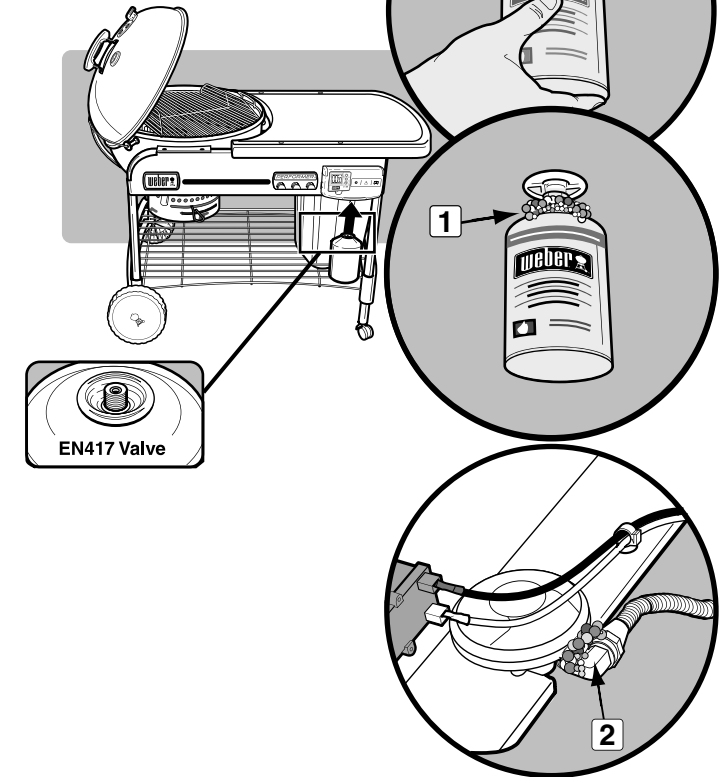
**VERIFIQUE:**

- As ligações da válvula para o regulador.
- ⚠ AVISO:** Se existir uma fuga na ligação (2), **DESLIGUE** o gás. **NÃO UTILIZE O GRELHADOR.** Contacte o representante do serviço de assistência ao cliente da sua região através da informação de contacto disponível no nosso website. Aceda a [www.weber.com](http://www.weber.com)®.

Quando a verificação da existência de fugas estiver terminada, **DESLIGUE** o fornecimento de gás na fonte e enxágue as ligações com água.

**⚠ PERIGO**

Não armazene cartuchos de reserva de GPL por baixo ou perto do equipamento.



## ACENDER

## ⚠ PERIGO

Abra a tampa antes de acender o grelhador. Nunca utilize líquidos inflamáveis, tais como fluido de ignição, gasolina, álcool ou qualquer forma de carvão auto-combustível, inclusive quando se acende o grelhador manualmente. Caso contrário, poderá provocar ferimentos graves ou morte.

A) Retire a tampa da grelha antes de utilizar o gás.

⚠ **PERIGO: Se não retirar a tampa, verifica-se uma acumulação de gás, que pode provocar um incêndio ou explosão, ferimentos graves ou morte, bem como danos materiais.**

B) Abra os amortecedores da taça inferior (1).

C) Posicione os Char-Baskets™ sobre o queimador (2).

D) Prima as patilhas na tampa de controlo de gás (3) e eleve-a para abrir.

E) Ligue o fornecimento de gás (no sentido contrário ao dos ponteiros do relógio) pelo menos uma volta completa (4).

⚠ **AVISO: Não se incline sobre o grelhador aberto quando o acender.**

F) Prima continuamente o botão de ignição até o queimador acender (5).

⚠ **ATENÇÃO: Pode ser difícil ver a chama num dia de sol.**

G) Quando o carvão se acender (cerca de 5 minutos), DESLIGUE o manípulo de controlo de gás (no sentido dos ponteiros do relógio) até fechar.

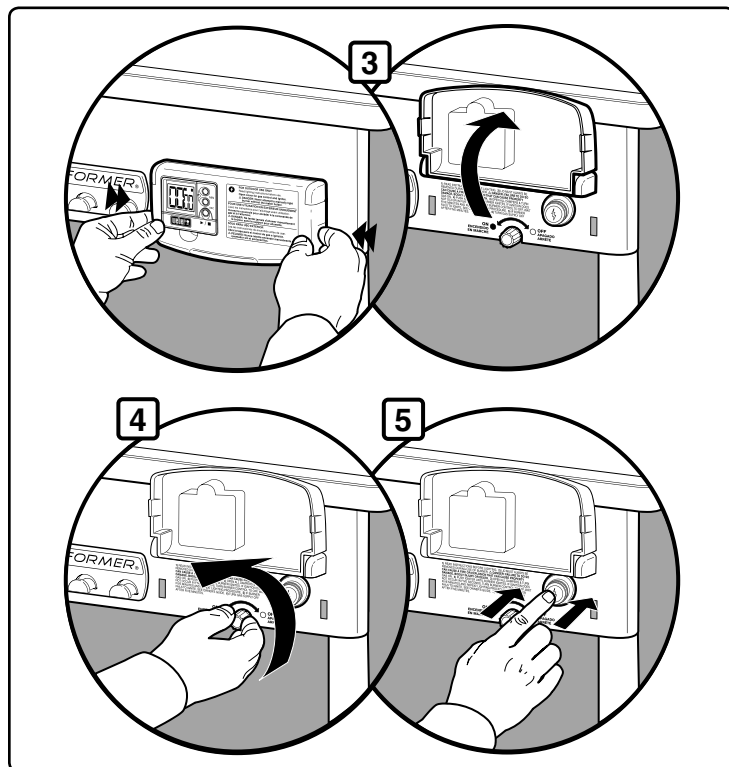
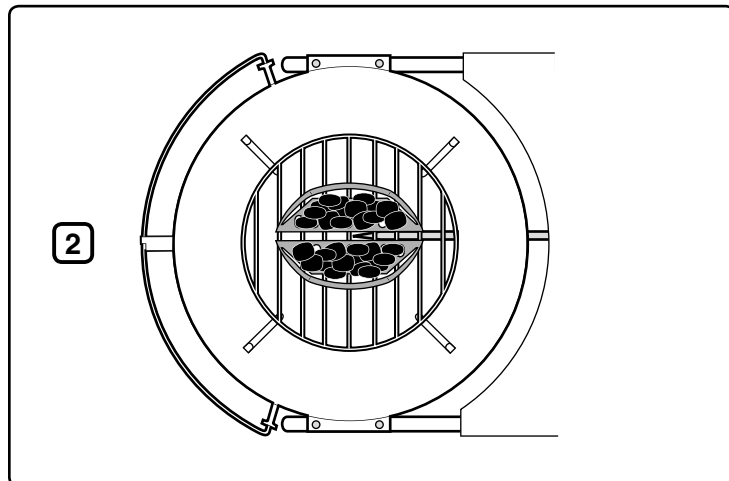
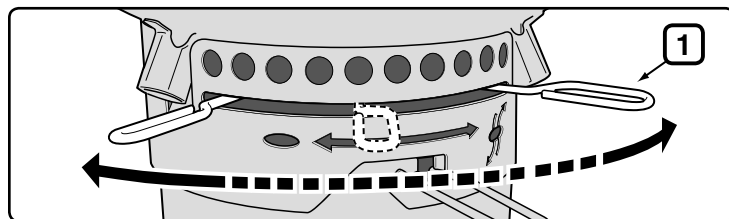
⚠ **ATENÇÃO: Certifique-se de que a tampa está totalmente fechada.**

Nota - O funcionamento prolongado do depósito reduz a respectiva vida útil.

H) Pode começar a grelhar quando os briquetes apresentarem uma fina camada de cinza cinzenta (cerca de 25-30 minutos).

## PARA APAGAR

DESLIGUE o manípulo de controlo de gás (no sentido dos ponteiros do relógio) até fechar.



**ACENDIMENTO MANUAL**

⚠ **AVISO:** Não tente acender manualmente sem utilizar o suporte dos fósforos.

**⚠ PERIGO**

Abra a tampa antes de acender o grelhador. Nunca utilize líquidos inflamáveis, tais como fluido de ignição, combustível, álcool ou qualquer forma de carvão auto-combustível, inclusive quando se acende o grelhador manualmente. Caso contrário, poderá provocar ferimentos graves ou morte.

- A) Retire a tampa da grelha antes de utilizar o gás.
- ⚠ **PERIGO:** Se não retirar a tampa, verifica-se uma acumulação de gás, que pode provocar um incêndio ou explosão, ferimentos graves ou morte, bem como danos materiais.
- B) Abra os amortecedores da taça inferior (1).
- C) Afaste os Char-Baskets™ do queimador (2).
- D) Prima as patilhas na tampa de controlo de gás (3) e eleve-a para abrir.
- E) Coloque um fósforo no respectivo suporte (4). Acenda o fósforo.
- F) Ligue o fornecimento de gás (no sentido contrário ao dos ponteiros do relógio) pelo menos uma volta completa (5).
- G) Posicione a chama do fósforo na parte de trás da abertura do queimador (6).

⚠ **AVISO:** Não mantenha a mão directamente sobre o queimador ao acender manualmente.

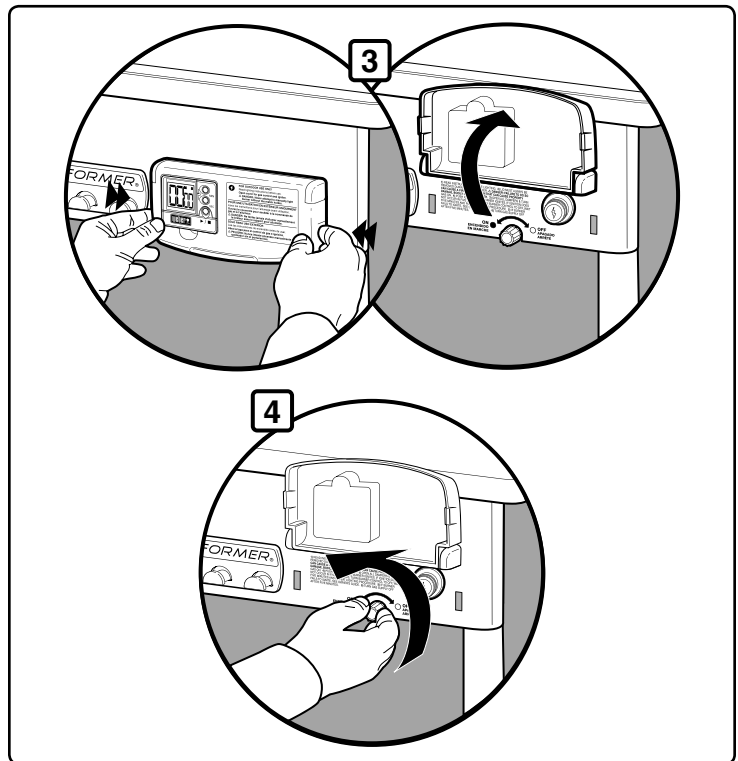
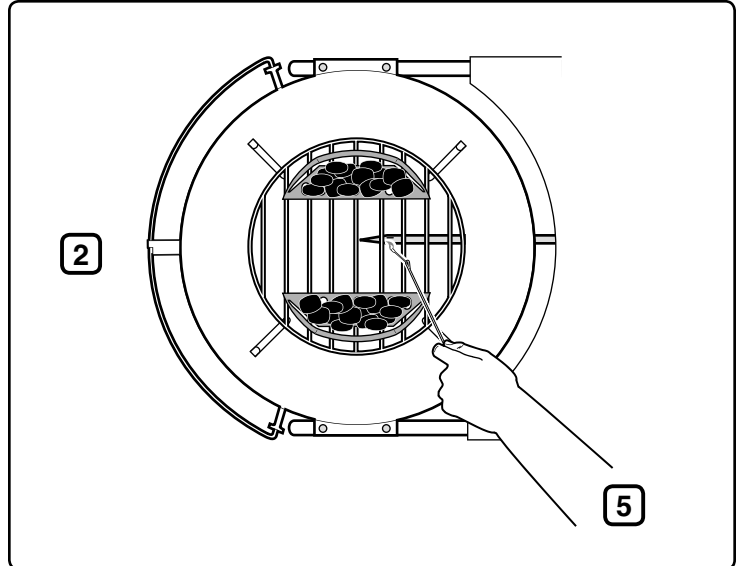
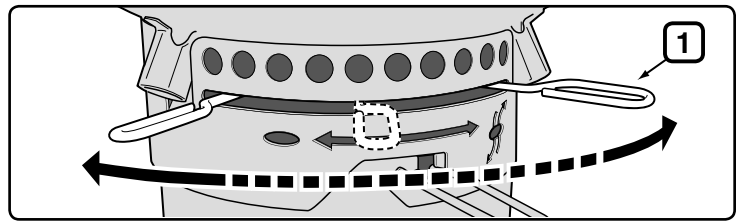
⚠ **AVISO:** Não se incline sobre o grelhador aberto quando o acender.

⚠ **ATENÇÃO:** Pode ser difícil ver a chama num dia de sol.

- H) Use luvas de churrasco e pinças para reposicionar os Char-Baskets™ sobre o queimador.
- I) Quando o carvão se acender, (cerca de 5 minutos), DESLIGUE o controlo de gás (no sentido dos ponteiros do relógio) até fechar.
- J) Pode começar a grelhar quando os briquetes apresentarem uma fina camada de cinza cinzenta (cerca de 25-30 minutos).

**PARA APAGAR**

DESLIGUE o manípulo de controlo de gás (no sentido dos ponteiros do relógio) até fechar.



## FUNCIONAMENTO DO TEMPORIZADOR

Este temporizador digital de confecção resistente à água fornece funcionalidades de contagem progressiva e regressiva em minutos e segundos.

### Para definir o tempo para contagem regressiva:

- Prima o botão **MIN** (1) para definir os dígitos dos minutos. Prima continuamente o botão para fazer avançar rapidamente os dígitos (definição máxima: 99 minutos (4)).
- Prima o botão **SEC** (2) para definir os dígitos dos segundos. Prima continuamente o botão para fazer avançar os dígitos (definição máxima: 59 segundos (5)).
- Prima o botão **Iniciar/Parar**: ► / ■ (3).
- Quando alcançar o tempo pretendido, o alarme será emitido durante 30 segundos e reinicia automaticamente a contagem regressiva a partir da definição de tempo anterior.

### Para definir o tempo para contagem progressiva:

- Prima o botão **Iniciar/Parar**: ► / ■ . Durante a contagem progressiva, o visor exibe a leitura no formato de minutos/segundos.
- Prima novamente o botão para parar o temporizador. (Definição máxima: 99 minutos (4), 59 segundos (5)).

### Para apagar o tempo:

- Prima os botões **MIN** e **SEC**: ↻ em simultâneo (1)(2).

*Nota: se utilizar num ambiente que sujeite o temporizador a descargas electrostáticas, a definição da hora da unidade pode ser perdida. Se isto ocorrer, reinicie a unidade e volte a acertar a hora.*

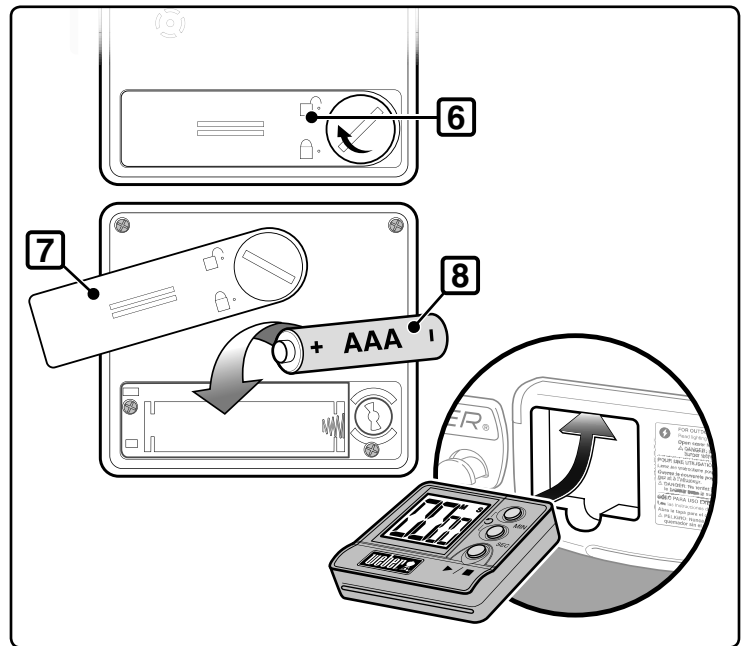
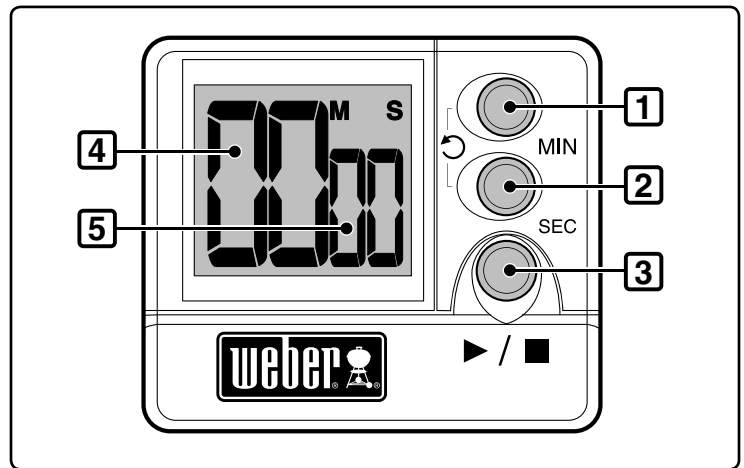
### Instalação da pilha:

- Liberte a tampa da pilha na parte posterior do temporizador (6) rodando para a direita.
- Retire a tampa da pilha da parte posterior do temporizador (7).
- Substitua a pilha AAA (8).
- Volte a colocar a tampa da pilha.
- Fixe a tampa da pilha rodando para a esquerda.
- Após a pilha estar instalada, (0000) é exibido no ecrã LCD.

### Manutenção:

- Não limpe a unidade com um composto abrasivo ou corrosivo, o qual pode arranhar as peças da unidade e corroer os circuitos electrónicos.
- Não submeta a unidade a força excessiva, choque, pó, temperatura ou humidade, que podem provocar a avaria da unidade, menor vida útil do sistema electrónico, pilha danificada e peças distorcidas.
- Não adultere os componentes internos da unidade. Ao fazê-lo, irá anular a garantia da unidade e pode provocar danos desnecessários na pilha e nas peças internas.
- Não submeta a unidade a exposição excessiva à luz solar directa ou chuva intensa.
- Não mergulhe este dispositivo em água.

**Para obter o melhor desempenho do temporizador digital de confecção, é recomendado colocar o temporizador dentro de casa quando não estiver a ser utilizado.**



PROBLEMA	VERIFIQUE	SOLUÇÃO
O queimador queima com uma chama amarela ou cor-de-laranja, juntamente com o cheiro a gás.	Inspeccione o queimador relativamente a obstruções.	Limpe o queimador. (Consulte a secção "Manutenção")
O queimador não se acende ou a chama está fraca.	O nível de combustível GPL está baixo ou vazio?	Substitua a botija de GPL.
	O tubo flexível de combustível está dobrado?	Endireite o tubo flexível de combustível.
	O queimador acende-se com um fósforo?	Se conseguir acender o queimador com um fósforo, verifique o sistema de ignição.
	A ligação entre o tubo flexível e o tubo do queimador está segura?	Ligue o tubo de gás ao tubo do queimador utilizando o grampo de retenção em metal fornecido. <b>⚠ PERIGO: Não utilize a ignição de gás se o grampo de retenção estiver ausente. A ausência do grampo de retenção pode provocar ferimentos graves ou morte, bem como danos materiais.</b> Contacte o serviço de assistência ao cliente para substituir o grampo de retenção.
O padrão de chama do queimador não é constante.	O queimador está limpo?	Limpe o queimador. (Consulte a secção "Manutenção")
O queimador não acende quando prime o botão de ignição.	Certifique-se de que existe um fluxo de gás para os queimadores tentando acender os queimadores através de fósforos. Consulte "IGNIÇÃO MANUAL."	Se o acendimento através de fósforos for bem sucedido, o problema reside no sistema de ignição. Consulte: "FUNCIONAMENTO DO SISTEMA DE IGNIÇÃO ELECTRÓNICA."
	Tem um pilha nova instalada?	Certifique-se de que a pilha está em bom estado e instalada correctamente. Consulte "INSPECÇÃO DA IGNIÇÃO ELECTRÓNICA."
	Os fios estão bem ligados ao módulo de ignição?	Certifique-se de que os fios estão bem introduzidos nos terminais na caixa de ignição. Consulte: "FUNCIONAMENTO DO SISTEMA DE IGNIÇÃO ELECTRÓNICA."
	Existe uma película de plástico a envolver a pilha nova?	Retire a película de plástico.
O temporizador não funciona.	Tem um pilha nova instalada?	Certifique-se de que a pilha está em bom estado e instalada correctamente. Consulte: "FUNCIONAMENTO DO TEMPORIZADOR."
O interior da tampa parece estar a descascar. (Semelhante a tinta a descascar.)	O que provavelmente está a ver é gordura já cozida que se transformou em carvão e está agora a cair em flocos. <b>NÃO SE TRATA DE UM DEFEITO.</b>	Limpe cuidadosamente. (Consulte a secção "Limpeza")

Se os problemas não puderem ser resolvidos com estes métodos, contacte o representante do serviço de assistência ao cliente da sua área através da informação de contacto contida no nosso website. Aceda a [www.weber.com](http://www.weber.com)®.

## MANUTENÇÃO

Após um período de não utilização, recomendamos que efectue os seguintes procedimentos de manutenção, para sua própria segurança.

- Verifique sempre a existência de amolgadelas, fissuras, abrasões ou cortes no tubo flexível, antes de utilizar o grelhador. Se o tubo flexível estiver de alguma forma danificado, não utilize o grelhador. Substitua utilizando apenas peças de substituição aprovadas pela Weber®. **Contacte o representante do serviço de assistência ao cliente da sua área através da informação de contacto disponível no nosso website. Aceda a [www.weber.com](http://www.weber.com).**

**⚠ ATENÇÃO: Se o tubo de gás do grelhador estiver danificado ou apresentar fugas, não utilize o grelhador.**

- Inspeccione o queimador relativamente ao padrão de chama correcto (consulte a secção "Padrão de chama do queimador"). Se necessário, limpe o queimador de acordo com os procedimentos indicados nesta secção.
- Verifique todos os acessórios de gás relativamente a fugas (consulte a secção "Verificar fugas de gás").

## LIMPEZA PERIÓDICA

Para remover cinzas da taça, desloque a haste de controlo (1) de um lado para o outro de modo a que as lâminas do amortecedor varram as cinzas através das aberturas da taça para o interior do colectador de cinzas.

**⚠ ATENÇÃO: Certifique-se de que o queimador está DESLIGADO e de que o grelhador está frio antes de limpar.**

Durante a limpeza, não alargue as aberturas do queimador.

**Para limpar o queimador:**

- Escove o exterior do tubo do queimador (2) e a secção de abertura do mesmo (3) com uma escova metálica.

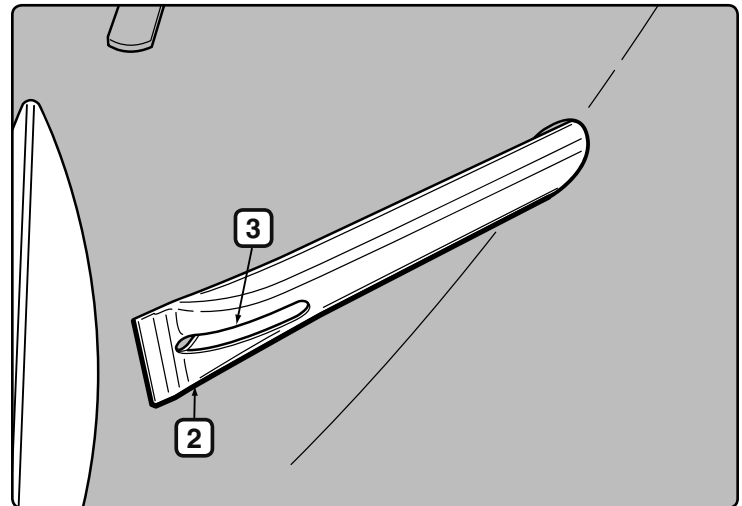
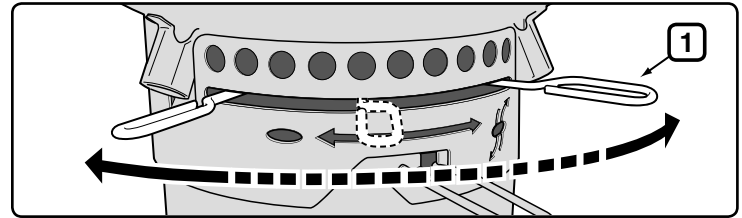
**⚠ ATENÇÃO: Durante a limpeza, não alargue as aberturas do queimador nem o orifício de saída do gás.**

**Para limpar a chaleira:**

- Com a tampa morna, limpe o interior com um guardanapo de papel para evitar a acumulação de sujidade.
- Para a superfície exterior, use uma solução de água morna com detergente e enxágue bem com água limpa.

**Para uma limpeza mais profunda** (pelo menos uma vez por ano):

- Remova as cinzas quando as brasas estiverem totalmente apagadas.
- Remova as grelhas e os Char-Baskets™.
- Limpe com guardanapos de papel. Lave o grelhador com um detergente suave e água. Passe bem por água limpa e seque.



## ARMAZENAMENTO

- O grelhador é guardado no interior, o fornecimento de gás tem de ser desligado e a botija de GPL guardada no exterior, num espaço bem ventilado.
- As botijas de GPL devem ser guardadas no exterior, num espaço bem ventilado, fora do alcance das crianças, não devendo ser guardadas em edifícios, garagens ou outras áreas fechadas.
- Após um período de armazenamento e/ou não utilização, o grelhador deve ser verificado relativamente a fugas de gás e obstruções no tubo do queimador antes de o utilizar (consulte a secção "Manutenção").
- Verifique se as áreas em torno do depósito, o tubo e o queimador estão isentos de resíduos que possam obstruir o fluxo de gás ou ar antes da utilização.



### ALERTA DE INSECTOS

O seu grelhador, bem como qualquer outro equipamento a gás para exteriores, é um alvo para aranhas e outros insectos. Estes insectos podem fazer ninho na secção venturi (1) do tubo do queimador, fazendo com que o gás flua para fora do interruptor de ar.

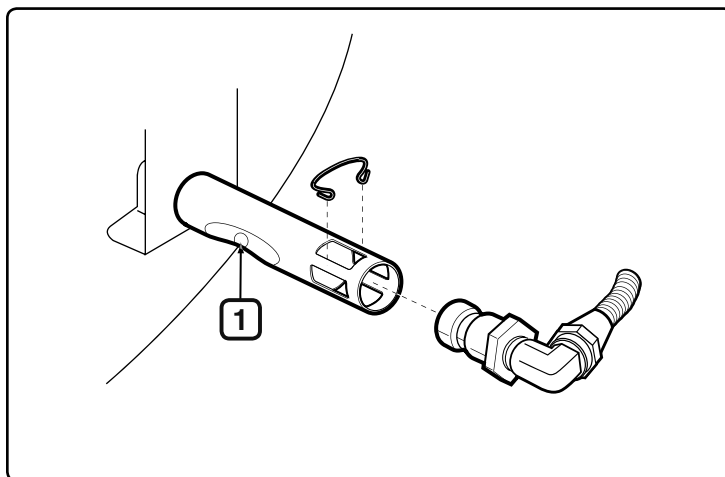
Este facto pode provocar um incêndio em torno do tubo do queimador por baixo do painel da taça. Podem ocorrer graves danos no grelhador, tornando-o pouco seguro para utilização.

Recomendamos que inspecione e limpe o tubo do queimador pelo menos uma vez por ano ou caso se verifique algum dos sintomas.

- A) Cheiro a gás em conjunto com chamas do queimador lentas e de cor muito amarela.
- B) O queimador faz estalidos.

**⚠ PERIGO**

**A não correcção destes sintomas pode ter como resultado um incêndio, com possíveis ferimentos graves ou morte ou ainda danos materiais.**

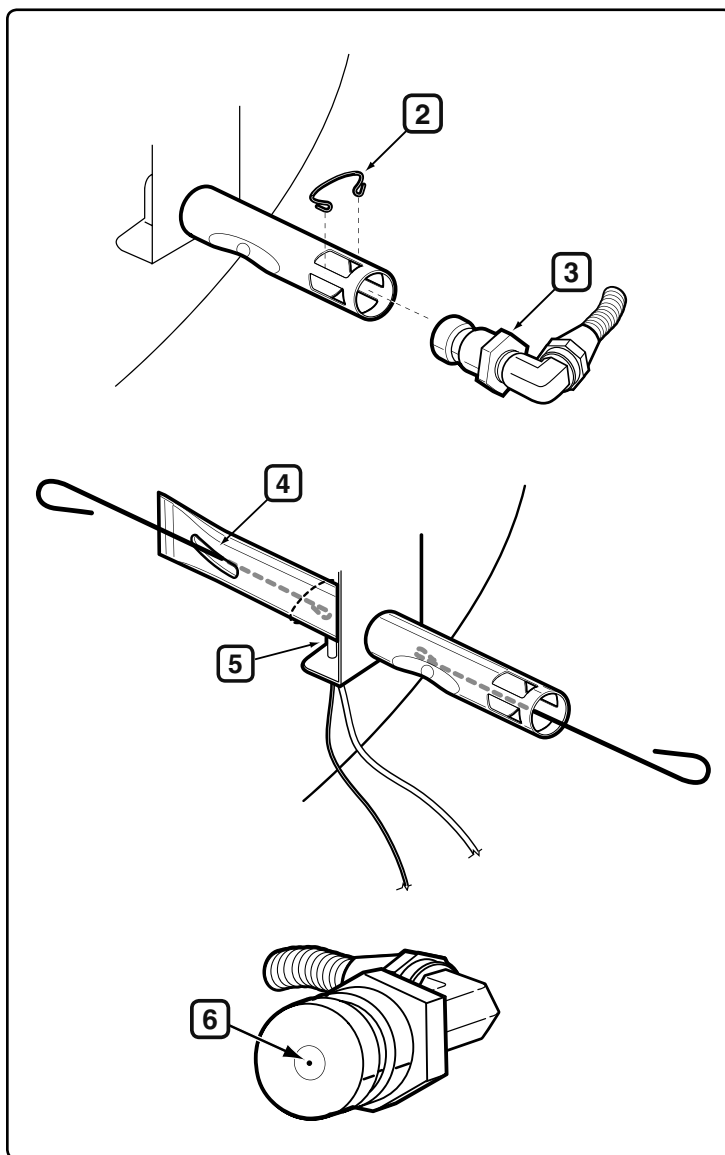


### INSPECCIONAR E LIMPAR O QUEIMADOR

- A) Desligue (OFF) o gás.
- B) Retire o recipiente de armazenamento CharBin™.
- C) Retire o grampo do orifício (2) e o acessório (3) do tubo do queimador.
- D) Observe o interior do queimador com uma lanterna.
- E) Limpe o interior dos queimadores com o cabo de suporte dos fósforos (fornecido). Utilize o cabo para limpar a área do interruptor do ar, a secção venturi e as aberturas do queimador (4) no interior da taça. Tenha cuidado ao inserir a ferramenta de limpeza do queimador para não danificar o eléctrodo do distribuidor (5).
- F) Verifique novamente com uma lanterna se não existem obstruções.
- G) Se necessário, a superfície do acessório do tubo pode ser limpa com uma escova metálica. O orifício (6) pode ser limpo com um pequeno pino.

**⚠ ATENÇÃO: Durante a limpeza, não alargue o orifício.**

- H) Volte a montar invertendo os passos B e C.

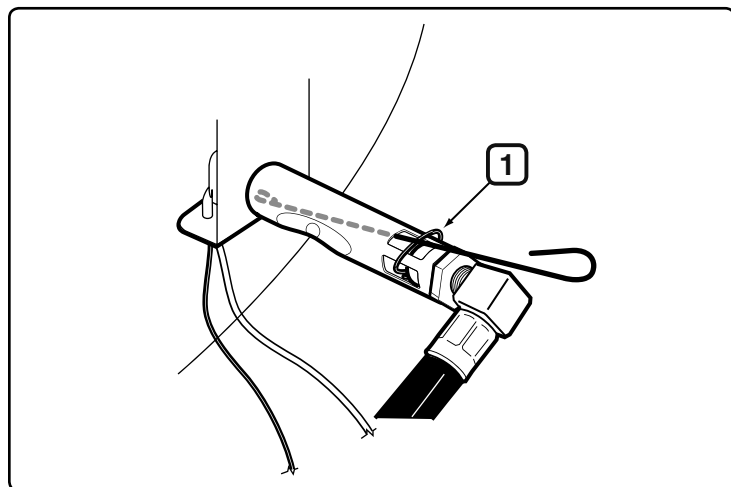


### LIMPEZA RÁPIDA PERIÓDICA

Recomendamos que escove periodicamente o exterior das aberturas do queimador com uma escova metálica e limpe o tubo do queimador através da abertura do ar de combustão com o suporte para fósforos fornecido.

Este procedimento pode ser realizado posicionando a abertura do ar de combustão (1) por baixo do suporte da taça e introduzindo a ferramenta através de cada abertura do ar de combustão, rodando a ferramenta. Tenha cuidado ao inserir o suporte para fósforos para não danificar o eléctrodo do acendedor.

**⚠ ATENÇÃO: É importante aumentar a frequência deste procedimento de limpeza durante os meses de primavera e verão.**



### INSPECÇÃO DA IGNIÇÃO ELECTRÓNICA

Se o sistema de ignição electrónica não conseguir acender, certifique-se de que existe fluxo de gás tentando acender os queimadores através de fósforos. Consulte "ACENDIMENTO MANUAL". Se o acendimento através de fósforos for bem sucedido, o problema reside na ignição electrónica.

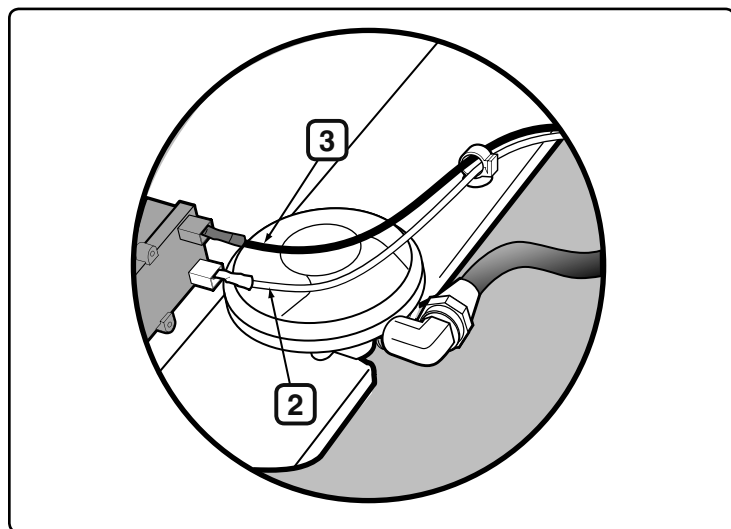
**⚠ AVISO: A válvula de fornecimento e controlo de gás deve estar na posição DESLIGADA.**

- Certifique-se de que a pilha AAA (apenas alcalina) está em bom estado e bem instalada (1). Algumas pilhas estão envolvidas numa película de protecção de plástico. Este plástico tem de ser retirado. Não confunda este plástico com o rótulo da pilha.
- Verifique se os fios de ignição branco (2) e preto (3) estão devidamente ligados.
- Verifique se o botão da ignição electrónica está a funcionar, ouvindo e procurando faíscas no queimador.
- Verifique se o botão de ignição está solto na estrutura. Se necessário, aperte; consultar o passo: "Instalar" para consultar o procedimento correcto.

#### Substitua A Pilha, Se Necessário

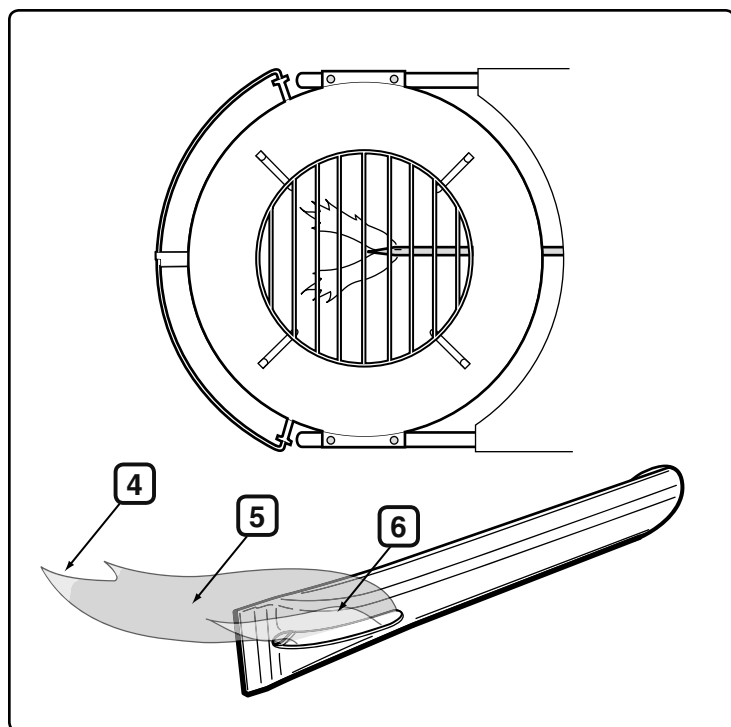
Utilize apenas pilhas alcalinas AAA.

Se o sistema de ignição electrónica continuar a não acender, contacte o representante do serviço de assistência ao cliente da sua área através das informações de contacto no nosso website. Aceda a [www.weber.com](http://www.weber.com).



### PADRÃO DE CHAMA DO QUEIMADOR

O queimador já vem preparado de fábrica para a mistura correcta de ar e gás. O padrão de chama correcto deve ter extremidades amareladas (4), deve ser azul escuro no meio (5) e azul claro no tubo do queimador (6). Se as chamas não surgirem como indicado ou caso ocorram "estalidos", siga os procedimentos de limpeza do queimador.





**⚠ ATENÇÃO: Este produto foi testado relativamente à segurança e está certificado para utilização num determinado país. Consulte a designação do país localizada no exterior da caixa.**

Estas peças podem ser componentes de transporte de gás ou de queima de gás. Contacte a Weber-Stephen Products LLC Departamento de Assistência a Clientes para obter informações sobre peças sobressalentes originais Weber-Stephen Products LLC.

**⚠ AVISO: Não tente efectuar quaisquer reparações em componentes de transporte ou de queima de gás sem ter contactado a Weber-Stephen Products LLC Departamento de Assistência a Clientes. No caso de não respeitar este aviso, as suas acções podem dar origem a incêndio ou explosão que pode resultar em ferimentos pessoais graves ou morte ou ainda danos materiais.**

**Este símbolo indica que o produto não pode ser eliminado juntamente com os resíduos domésticos. Para obter instruções relativamente à eliminação deste produto na Europa, visite [www.weber.com](http://www.weber.com)® e contacte o importador indicado para o seu país. Se não tiver acesso à Internet, contacte o seu representante para obter o nome, endereço e número de telefone do importador.**

Quando decidir eliminar o grelhador, todos os componentes eléctricos (por exemplo, motor do assador, baterias, módulo de ignição, luzes da pega) têm de ser retirados e eliminados adequadamente em conformidade com a norma REEE. Estes componentes devem ser eliminados separadamente do grelhador.



WEBER-STEPHEN PRODUCTS LLC  
[www.weber.com](http://www.weber.com)®



# PERFORMER® DELUXE

## Instrukcja obsługi grilla na węgiel drzewny

MONTAŻ - p. 5

#54785



**PRZED UŻYCIEM GRILLA GAZOWEGO  
NALEŻY PRZECZYTAĆ NINIEJSZĄ  
INSTRUKCJĘ OBSŁUGI**

### ⚠ NIEBEZPIECZEŃSTWO

Jeżeli poczujesz gaz:

1. Wyłącz doprowadzenie gazu do urządzenia.
2. Wygaś otwarty ogień.
3. Otwórz pokrywę.
4. Jeżeli nadal czuć gaz, odejdź od urządzenia i natychmiast zadzwoń do dostawcy gazu lub straży pożarnej. Ulatniający się gaz może doprowadzić do pożaru lub wybuchu i przyczynić się do poważnych obrażeń ciała i śmierci oraz uszkodzenia własności.

⚠ **OSTRZEŻENIE:** Przed podjęciem próby rozpalenia grilla gazowego Weber® należy przeczytać zalecenia dotyczące "Rozpalenia" opisane w niniejszej instrukcji obsługi.

### ⚠ OSTRZEŻENIE:

1. Nie należy przechowywać lub używać benzyny i innych palnych płynów i oparów w pobliżu tego i innych urządzeń.
2. Nie podłączona butla gazowa nie powinna być przechowywana w pobliżu tego lub innych urządzeń.

⚠ **OSTRZEŻENIE:** Przed użyciem grilla należy przeprowadzić procedurę kontroli pod kątem wycieków gazu zgodnie z opisem w niniejszej instrukcji. Procedurę kontroli należy przeprowadzić nawet w przypadku, gdy grill był montowany przez dealera.

**INFORMACJE DLA INSTALATORA:** Instrukcję obsługi powinien przechowywać jej właściciel na wypadek korzystania z niej w przyszłości.

**TYLKO DO UŻYTKU NA ZEWNĄTRZ.**

NIEPRZESTRZEGANIE OSTRZEŻEŃ I PRZESTRÓG MOŻE DOPROWADZIĆ DO POWAŻNYCH OBRAŻEŃ CIAŁA LUB ŚMIERCI, POŻARU LUB WYBUCHU I USZKODZENIA MIENIA.

- △ SYMBOLE BEZPIECZEŃSTWA ( △ ) informują użytkownika o ważnych zaleceniach dotyczących BEZPIECZEŃSTWA.
- △ Słowa NIEBEZPIECZEŃSTWO, OSTRZEŻENIE lub PRZESTROGA są używane razem z SYMBOLAMI BEZPIECZEŃSTWA.
- △ NIEBEZPIECZEŃSTWO informuje o poważnym niebezpieczeństwie.
- △ Należy przeczytać wszystkie zalecenia dotyczące bezpieczeństwa znajdujące się w niniejszej instrukcji obsługi przed użyciem grilla.

#### △ NIEBEZPIECZEŃSTWA

- △ Nieprzestrzeganie ostrzeżeń i przestróg oraz zaleceń pozwalających na uniknięcie niebezpieczeństw zawartych w niniejszej instrukcji może być przyczyną pożaru lub wybuchu i doprowadzić do poważnych obrażeń ciała, śmierci oraz uszkodzenia mienia.
- △ Nie używać w pomieszczeniach! Grill jest przeznaczony tylko do użytku na zewnątrz. Jeżeli grill będzie używany w pomieszczeniu, gromadzące się opary toksyczne mogą być przyczyną poważnych obrażeń ciała lub śmierci.
- △ Grilla należy używać tylko na zewnątrz w miejscu z dobrą wentylacją. Nie należy używać grilla w garażu, budynku, krytym pasażu i innym zamkniętym miejscu.
- △ Nie należy używać grilla pod napowietrznymi konstrukcjami palnymi.
- △ Nieprawidłowo przeprowadzony montaż jest niebezpieczny. Należy postępować zgodnie z zaleceniami dotyczącymi montażu opisanymi w niniejszej instrukcji obsługi. Nie należy używać grilla do momentu zainstalowania wszystkich jego części. Przed rozpaleniem grilla należy sprawdzić, czy popielnik został prawidłowo przymocowany do wsporników pod misą grilla lub, czy popielnik o wystarczającej pojemności znajduje się na swoim miejscu.
- △ Nie należy dodawać podpałki w płynie lub węgla drzewnego nasączonego podpałką w płynie do gorącego lub ciepłego węgla drzewnego. Należy zakręcić podpałkę w płynie po jej użyciu i umieścić w bezpiecznej odległości od grilla.
- △ Do rozpalenia węgla drzewnego nie należy używać benzyny, alkoholu i innych łatwopalnych płynów. Nie należy używać żadnego typu węgla samorozpalającego się.
- △ Podczas korzystania z grilla należy kierować się zdrowym rozsądkiem. Grill nagrzewa się podczas grillowania i nigdy po rozpaleniu grilla nie należy go pozostawiać bez nadzoru.
- △ Dzieci i zwierzęta nie powinny przebywać w pobliżu rozpalonego grilla bez opieki.
- △ Nie należy przenosić gorącego grilla.
- △ Nie należy używać grilla w zasięgu dwóch metrów od materiałów palnych. Materiały palne obejmują, ale nie ograniczają się do drewna lub obrobionych desek drewnianych, tarasów lub ganków.
- △ Nie należy umieszczać materiałów łatwopalnych w odległości mniejszej niż 65 cm od górnej części, spodu, tyłu i boków grilla.
- △ W miejscu grillowania nie mogą znajdować się palne opary i płyny takie jak benzyna, alkohol, itp. oraz substancje palne.
- △ Nie należy usuwać popiołu do momentu całkowitego wypalenia się węgla i ostygnięcia grilla.
- △ Zawsze należy umieszczać węgiel w pojemniku Char-Baskets™ lub na górze dolnego rusztu na węgiel drzewny. Nie należy umieszczać węgla bezpośrednio na dnie kotła.
- △ Do rozpalania i obsługi grilla nie należy zakładać odzieży z luźnymi rękawami.
- △ W czasie zapalania palnika gazowego nigdy nie należy pochylać się nad otwartym grillem.
- △ Nie należy używać grilla przy silnym wietrze.
- △ Nie należy używać grilla w przypadku wycieku gazu.
- △ Do sprawdzenia pod kątem wycieków gazu, nie należy używać otwartych źródeł ognia.
- △ Jeśli palnik zgaśnie w dowolnym momencie podczas pracy, należy wyłączyć zawór butli. Zdjąć pokrywę i odczekać pięć minut przed próbą ponownego rozpalenia. Rozpalać grill zgodnie z zaleceniami przedstawionymi w niniejszej instrukcji obsługi.
- △ Nie należy podejmować próby odłączenia regulatora gazu od butli i żadnego połączenia gazowego po włączeniu grilla.
- △ Używać tylko regulatora do ciekłego propanu dostarczonego razem z grillem.

#### △ OSTRZEŻENIA

- △ Należy postępować zgodnie z instrukcjami podłączenia przeznaczonymi dla Twojego typu grilla gazowego.
- △ Nie należy przechowywać zapasowego lub odłączonego wymiennego zasobnika z ciekłym propanem pod lub w pobliżu grilla.
- △ Należy ustawić grill na bezpiecznej, równej powierzchni, w miejscu w którym nie znajdują się łatwopalne materiały.
- △ Nie należy umieszczać pokryw grilla i przedmiotów łatwopalnych na lub w miejscu przeznaczonym do przechowywania pod grillem.
- △ Zawsze przed włączeniem palnika gazowego, ręcznie lub za pomocą zapalnika należy zdjąć pokrywę. Pokrywa musi być zdjęta do momentu rozpalenia węgla.
- △ Nigdy nie należy dotykać rusztu do pieczenia i na węgiel drzewny, popiołu, węgla i grilla kiedy są gorące.
- △ Nigdy nie należy używać lawy wulkanicznej lub skał węglowych.
- △ Do kontrolowania iskrzenia lub zgaszenia węgla nie należy używać wody. Nieprzestrzeganie zalecenia może doprowadzić do uszkodzenia porcelanowego wykończenia grilla. Przymknąć dolne odpowietrzniki i zamknąć pokrywę.
- △ Wygasić węgiel po zakończeniu grillowania. Zamknąć wszystkie odpowietrzniki po zamknięciu pokryw.
- △ Do obsługi grilla, regulacji odpowietrzników, dodawania węgla i obsługi termometru i pokryw należy zawsze zakładać rękawice kuchenne.
- △ Używać prawidłowych narzędzi przeznaczonych do grillowania z długimi, odpornymi na ciepło uchwytami.
- △ Niektóre modele mogą być wyposażone w uchwyt do pokryw Tuck-Away™. Uchwyt do pokryw Tuck-Away™ jest używany do odkładania pokryw na czas sprawdzenia lub obrócenia potrawy. Nie należy używać uchwytu do pokryw Tuck-Away™ do podnoszenia lub przenoszenia grilla. Nie należy umieszczać gorącej pokryw na materiale lub trawie. Nie należy wieszać pokryw na uchwycie kotła grilla.
- △ Nigdy nie należy wyrzucać gorących węgla, jeśli istnieje ryzyko nadeptnięcia na nie lub ryzyko pożaru. Nigdy nie należy wchodzić na popiół lub żarzące się do momentu ich całkowitego wygaśnięcia. Przygotować grill do przechowania kiedy popiół i węgiel całkowicie węgiel wygasną.

- ⚠ Ostrożnie obsługiwać i przechowywać w prawidłowy sposób gorące elektryczne rozpalacze.
- ⚠ Przewody elektryczne należy przechowywać z dala od gorących powierzchni grilla i z dala od stref komunikacji.
- ⚠ Po okresie przechowywania i/lub nie użytkowania grilla, należy przed użyciem sprawdzić grill pod kątem wycieków gazu i zablokowania palnika. W celu uzyskania informacji na temat prawidłowych procedur, patrz zalecenia w niniejszej instrukcji obsługi.
- ⚠ Przekształcenie lub próba użycia gazu ziemnego do używania grilla jest niebezpieczne i prowadzi do unieważnienia gwarancji.
- ⚠ Wymienny zasobnik z ciekłym propanem, który jest wgnieciony lub zardzewiały może być niebezpieczny i powinien zostać oddany do sprawdzenia przez dostawcę ciekłego propanu. Nie należy używać wymiennego zasobnika z ciekłym propanem z uszkodzonym zaworem.
- ⚠ Chociaż wymienny zasobnik z ciekłym propanem może wydawać się pusty, może nadal zwierać gaz. Należy w odpowiedni sposób transportować i przechowywać wymienny zasobnik z ciekłym propanem.
- ⚠ W przypadku zobaczenia, poczucia lub usłyszenia gazu wydobywającego się z wymiennego zasobnika z ciekłym propanem:
  1. Należy odsunąć się od wymiennego zasobnika z ciekłym propanem.
  2. Nie należy podejmować próby samodzielnej naprawy wycieku.
  3. Należy zadzwonić po straż pożarną.

⚠ PRZESTROGI

- ⚠ Wyłożenie miski folią aluminiową utrudnia przepływ powietrza. W czasie przygotowywania potrawy metodą pośrednią należy używać do zbierania kapiącego tłuszczu miski na tłuszcz.
- ⚠ Używanie ostrych przedmiotów do czyszczenia rusztu do pieczenia lub usuwania popiołu może doprowadzić do uszkodzenia warstwy wierzchniej grilla.
- ⚠ Używanie środków ściernych do czyszczenia rusztu do pieczenia lub grilla może doprowadzić do uszkodzenia warstwy wierzchniej grilla.
- ⚠ Należy czyścić grill w regularnych odstępach czasu.

GWARANCJA

Weber-Stephen Products LLC, (Weber) niniejszym udziela gwarancji PIERWSZEMU NABYWCY grilla gazowego Weber®, że urządzenie jest wolne od wad materiałowych i produkcyjnych licząc od daty zakupu:

Ruszty do pieczenia/na węgiel	2 lata
Aluminizowane ostrza/platerowane części	
System czyszczący One-Touch™	5 lat
System do czyszczenia ze stali nierdzewnej One-Touch™	10 lat
Kocioł i pokrywa przed rdzewieniem/przepaleniem	10 lat
Uchwyty nylonowe	10 lat
Części termoplastyczne/termoutwardzalne(Performer®)	10 lat
	z wyjątkiem płowienia
Wszystkie pozostałe części	2 lata

Jeżeli urządzenie będzie obsługiwane zgodnie z instrukcją obsługi.

Weber może wymagać dowodu daty zakupu urządzenia. DLATEGO, NABYWCA POWINIEN ZACHOWAĆ PARAGON ZAKUPU URZĄDZENIA LUB FAKTURĘ.

Usługi gwarancyjne ograniczają się do naprawy lub wymiany części uszkodzonych w czasie normalnego użytkowania i serwisowania i które wykaże kontrola firmy Weber. Przed zwrotem części, należy skontaktować się z przedstawicielem działu obsługi klienta w swoim miejscu zamieszkania korzystając z arkusza danych znajdujących się na naszej witrynie. Jeżeli firma Weber potwierdzi uszkodzenia i zatwierdzi reklamację, firma Weber dokona wymiany tych części bez opłaty. Jeżeli wymagany jest zwrot części wadliwych, koszt opłat transportowych pokrywa z góry nabywca. Weber zwróci części nabywcy pokrywając część opłat transportowych lub pocztowych.

Gwarancja nie pokrywa uszkodzeń lub problemów z działaniem powstałych w wyniku wypadku, nieprawidłowego użycia, modyfikacji, nieprawidłowego zastosowania, wandalizmu, nieprawidłowej instalacji lub nieprawidłowej konserwacji lub serwisu lub nieprzestrzegania normalnej i rutynowej konserwacji, obejmujących, ale nie ograniczających się do uszkodzeń spowodowanych obecnością insektów w rurach palnika, w sposób przedstawiony w instrukcji obsługi.

Uszkodzeń powstałych z powodu wystąpienia surowych warunków pogodowych takich jak grad, huragany, trzęsienia ziemi lub tornada, odbarwień z powodu wystawienia na działanie środków chemicznych, bezpośrednio lub w atmosferze, nie pokrywa gwarancja.

Nie obowiązują inne wyraźne gwarancje poza tymi przedstawionymi w niniejszej instrukcji i inne dorozumiane gwarancje, w tym między innymi gwarancje przydatności handlowej i przydatności do określonego celu są ograniczone do czasu trwania wyraźnej pisemnej ograniczonej gwarancji. W niektórych regionach nie obowiązuje zasada ograniczenia dotycząca długości trwania dorozumianej gwarancji z tego względu te ograniczenia mogą nie dotyczyć Ciebie.

Weber nie ponosi odpowiedzialności za specjalne, pośrednie i wynikające uszkodzenia. W niektórych regionach nie obowiązuje wyłączenie lub ograniczenia dotyczące przypadkowych lub wynikających uszkodzeń, z tego względu te ograniczenia i wyłączenia mogą nie dotyczyć Ciebie.

Weber nie upoważnia żadnej osoby lub firmy do wzięcia na siebie odpowiedzialności za inne zobowiązania lub odpowiedzialność dotyczącą sprzedaży, instalacji, użycia, demontażu, zwrotu lub wymiany swojego sprzętu; i żadnego takiego zobowiązania nie należy łączyć z firmą Weber.

Ta gwarancja dotyczy tylko produktów sprzedanych w handlu detalicznym.

Wejdź na stronę [www.weber.com](http://www.weber.com), wybierz swój kraj i już dziś zarejestruj swój grill.

WYMIANA WĘŻA, REDUKTORA I ZAWORU

⚠ **WAŻNA UWAGA:** Zalecamy wymianę zespołu węża gazowego w grillu Webera co 5 lat. W niektórych krajach mogą obowiązywać przepisy nakazujące wymianę węża gazowego częściej niż co 5 lat. W takim przypadku te przepisy mają pierwszeństwo.

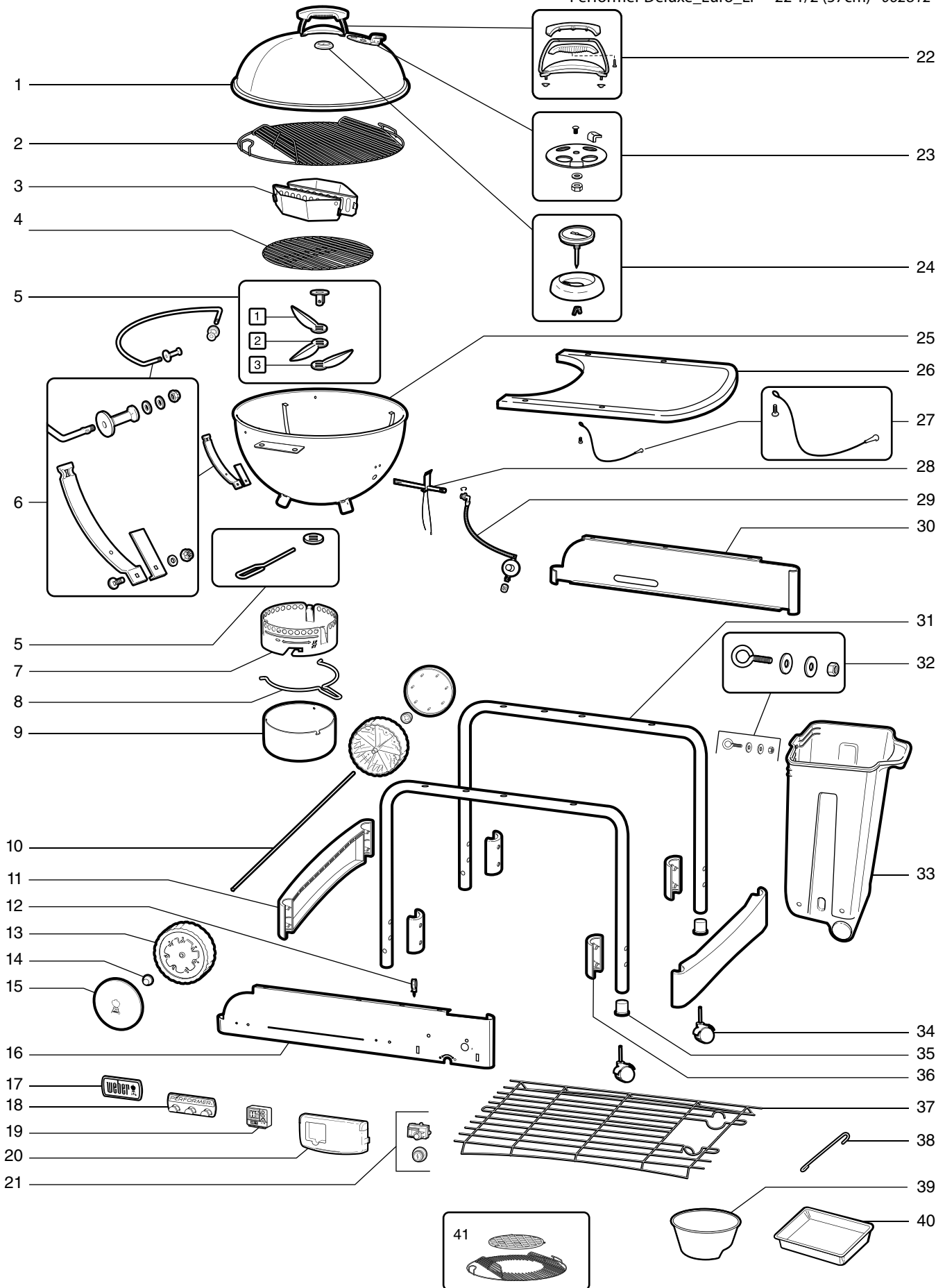
⚠ W celu wymiany zespołu węża gazowego z reduktorem i zaworem prosimy skontaktować się z regionalnym przedstawicielem ds. obsługi klienta za pośrednictwem naszej strony internetowej. Prosimy zalogować się na [www.weber.com](http://www.weber.com).

KRAJ

TYP GAZU I CIŚNIENIE

Dania, Szwecja, Norwegia, Finlandia, Anglia, Holandia, Wielka Brytania, Francja, Hiszpania, Portugalia, Belgia, Irlandia, Grecja, Luksemburg, Włochy, Niemcy, Austria	I <sub>3B/P</sub> - 29mbar	
<b>DANE DOTYCZĄCE POBORU MOCY</b>		
Zapalanie palnika. Maks		
Propan/ butan	kW (Hs)	gm (Hs)
	2,6	192

Performer Deluxe\_Euro\_LP - 22 1/2 (57cm) 062812





- |                                    |                                            |                                               |
|------------------------------------|--------------------------------------------|-----------------------------------------------|
| 1. Pokrywa                         | 15. Pokrywa koła                           | 29. Przewód i regulator z zaciskiem z otworem |
| 2. Zawieszany ruszt do pieczenia   | 16. Przedni panel                          | 30. Tylny panel                               |
| 3. Char-Baskets™                   | 17. Tabliczka z logo                       | 31. Wspornik ramy                             |
| 4. Ruszt na węgiel                 | 18. Uchwyty na narzędzia                   | 32. Zestaw do montażu CharBin™                |
| 5. Sistema de Limpeza One-Touch™   | 19. Temporizador Digital de Confecção      | 33. CharBin™                                  |
| 6. Uchwyt pokrywy i dolny wspornik | 20. Pokrywa do regulacji gazu              | 34. Kółka samonastawne                        |
| 7. Pierścień popielnika            | 21. Botão de Ignição / Módulo do Acendedor | 35. Podkładki do kótek samonastawnych         |
| 8. Uchwyt popielnika               | 22. Zespół uchwytu pokrywy                 | 36. Zacisk wspornika do ramy z nogami         |
| 9. Popielnik o dużej pojemności    | 23. Zwilżacz pokrywy                       | 37. Dolny regał                               |
| 10. Oś                             | 24. Termometr                              | 38. Suporte para Fósforos                     |
| 11. Wspornik ramy z nogami         | 25. Kocioł                                 | 39. Miska na Węgiel Drzewny                   |
| 12. Sztynny przewód zapalnika      | 26. Stół                                   | 40. Jednorazowa miska na tłuszcz              |
| 13. Koło                           | 27. Łańcuch zabezpieczający CharBin™       |                                               |
| 14. Nasadka piasty                 | 28. Palnik                                 |                                               |

## ZESTAW MOŻE ZAWIERAĆ:

41. Ruszt z zaczepem z zawieszonym rusztem do pieczenia

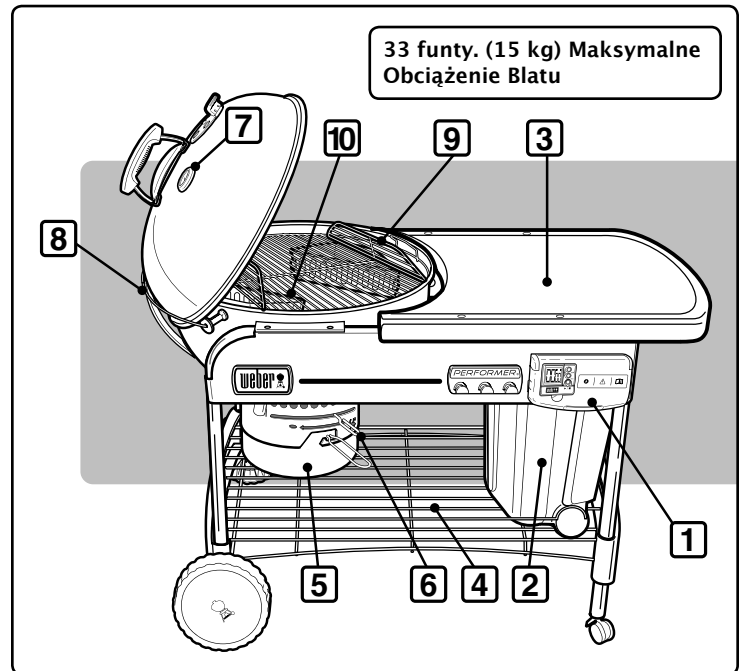
W razie pytań lub potrzeby uzyskania porady związanej z grillem i jego bezpieczną obsługą, zarejestruj się na stronie [www.weber.com](http://www.weber.com).

- Niniejsze instrukcje przedstawiają minimalne wymagania dotyczące montażu grilla gazowego Weber®. Przed użyciem grilla Weber® należy uważnie przeczytać instrukcję. Nieprawidłowo przeprowadzony montaż jest niebezpieczny.
- Grill nie jest przeznaczony do użytku przez dzieci.
- Ten grill firmy Weber® jest przeznaczony tylko do użytku z ciekłym propanem lub gazem propan/butan. Nie należy go używać z gazem ziemnym. Zawór i regulator są przeznaczone do użytku z ciekłym propanem lub propanem/butanem.

- Grill firmy Weber® nie jest przeznaczony do użytku komercyjnego.
- Używanie grilla pod wpływem alkoholu i/lub narkotyków może zmniejszyć zdolność użytkownika do prawidłowego montażu i bezpiecznej obsługi grilla.
- Ten grill firmy Weber® nie jest przeznaczony i nie należy go używać jako grzejnika.
- Nie należy pozostawiać grilla firmy Weber® bez nadzoru. Dzieci i zwierzęta powinny przebywać z dala od grilla gazowego Weber®.
- Należy sprawdzić, czy miejsce pod panelem sterowania i dolną tacą jest wolne od zanieczyszczeń, które mogą utrudnić przepływ powietrza.
- Nie należy modyfikować elementów uszczelnionych przez producenta.
- Wszystkie modyfikacje urządzenia mogą być niebezpieczne.

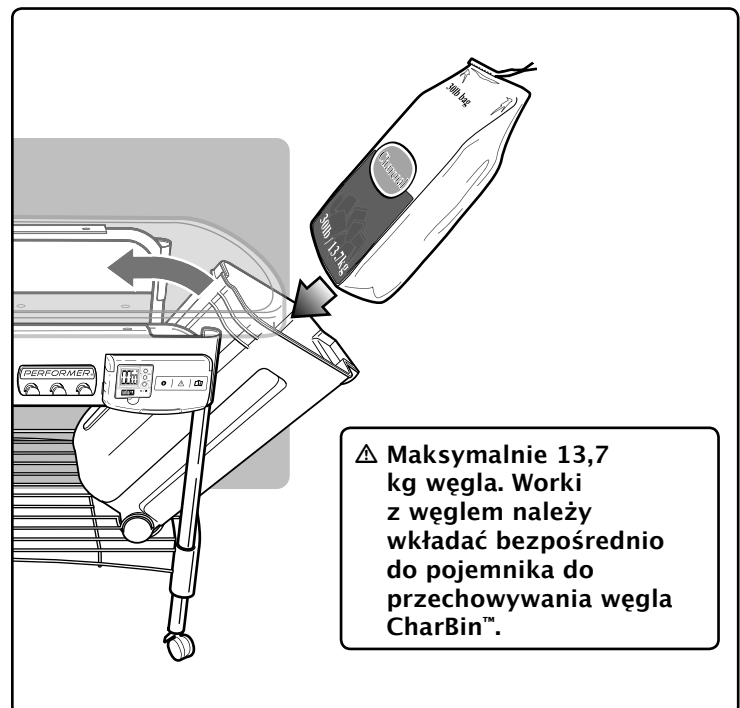
## FUNKCJE

- Ekskluzywny system zapalania gazem Touch-N-Go™ pozwala na szybkie rozpalenie brykietów węgla drzewnego (1). Basta premir continuamente um boião para o queimador de gás do sistema entrar em ignição, acendendo o carvão. Bez konieczności używania i przechowywania niebezpiecznych rozpalaczy i bez posmaku ciekłych rozpałek.
- Pojemnik na węgiel CharBin™ przechowuje worek z węglem o maksymalnej wadze 13,7 kg (2). Worek z węglem należy umieścić bezpośrednio w pojemniku do przechowywania węgla CharBin™.
- Powierzchnia robocza z materiału termoutwardzalnego zapewnia doskonałe miejsce do pracy i można na niej położyć pojemnik do przechowywania węgla CharBin™, dzięki czemu węgiel będzie zawsze suchy (3).
- Wygodny regał na dole do przechowywania (4).
- Popielnik o dużej pojemności można zablokować na miejscu, co pozwala na wyeliminowanie wydychanego popiołu (5).
- System do czyszczenia One-Touch® w łatwy sposób usuwa popiół oraz otwiera i zamyka odpowietrzniki (6).
- Termometr monitoruje temperaturę pieczenia wewnątrz grilla (7).
- Pokrywa Tuck-Away™ przesuwa się w uchwycie na pokrywę ze stali nierdzewnej i działa jak osłona przed wiatrem podczas rozpalania brykietów (8).
- Zawieszane klapy dostępne pozwalają na szybkie uzyskanie dostępu do rusztu do pieczenia, umożliwiając dodawanie brykietów lub wiórów z drewna podczas pieczenia (9).
- Uchwyty na opał Char-Basket™ ułatwiają przyrządzanie potraw metodą pośrednią i umożliwiają przyrządzanie potraw metodą bezpośrednią za pomocą drewna lub węgla drzewnego (10).



## TEREN ROBOCZY

- ⚠ OSTRZEŻENIE:** Grilla należy używać tylko na zewnątrz w miejscu z dobrą wentylacją. Nie należy używać grilla w garażu, budynku, krytym pasażu i innym zamkniętym miejscu.
- ⚠ OSTRZEŻENIE:** Dostępne części mogą być bardzo gorące. Dzieci powinny przebywać z dala od grilla.
- ⚠ Nigdy nie należy używać grilla pod napowietrznymi konstrukcjami palnymi.**
- ⚠ Ten grill Weber® nie jest przeznaczony do instalacji w lub na pojazdach wypoczynkowych i/lub łodziach.**
- ⚠ Nie należy umieszczać materiałów łatwopalnych w odległości mniejszej niż 65 cm od górnej części, spodu, tyłu i boków grilla.**
- ⚠ Po włączeniu cały grill nagrzewa się. Nie należy pozostawiać grilla bez nadzoru.**
- ⚠ Wszystkie przewody elektryczne i przewody doprowadzające paliwo należy przechowywać z dala od rozgrzanych powierzchni.**
- ⚠ Obszar przeznaczony do pieczenia należy utrzymywać w czystości, wolny od łatwopalnych oparów i płynów, takich jak benzyna, nafta, alkohol, itp. i innych materiałów łatwopalnych.**
- ⚠ Nie należy przemieszczać grilla po jego rozpaleniu. Przed przesunięciem grilla należy odczekać do momentu jego ostygnięcia.**
- ⚠ Ten grill gazowy nie jest przeznaczony i nie należy go używać jako grzejnika.**



## PODŁĄCZANIE WYMIENNEGO ZASOBNIKA Z CIEKŁYM PROPANEM

Należy używać wymiennych zasobników z ciekłym propanem o minimalnej pojemności 430 g i maksymalnej pojemności 460 g. Zasobnik musi być wyposażony w zawór EN417 przedstawiony na rysunku. Jednym z typów zasobników, które można używać jest Primus model 2202 lub Weber Q Gas.

**⚠ PRZESTROGA:** Używać butli oznaczonych tylko jako propan lub propan-butan.

Należy umieścić wymienny zasobnik w regulatorze i obrócić w prawo do momentu zablokowania.

**⚠ OSTRZEŻENIE:** Dokręcać ręcznie. Nadmierna siła może doprowadzić do uszkodzenia złączki regulatora, wycieku i nieprawidłowego przepływu gazu.

### KONTROLA POD KĄTEM WYCIEKÓW GAZU:

#### ⚠ NIEBEZPIECZEŃSTWO

Do sprawdzenia pod kątem wycieków gazu, nie należy używać otwartych źródeł ognia. Należy upewnić się, że podczas sprawdzania pod kątem wycieków w pobliżu nie znajdują się iskry i otwarte źródła ognia. Iskry lub otwarty ogień mogą być przyczyną pożaru lub wybuchu i doprowadzić do poważnych obrażeń ciała, śmierci i uszkodzenia mienia.

Niezbędne będą: wymienny zasobnik z ciekłym propanem, roztwór wody z mydłem i szmata lub szczotka do nakładania.

- Zmieszać mydło z wodą.
- Ustawić regulator gazu w pozycji włączonej obracając go w lewo.
- Sprawdzić pod kątem wycieków przez zwilżenie łącznika za pomocą mydła i wody i obserwować pod kątem pojawiania się pęcherzyków. Formowanie lub wzrost pęcherzyków oznacza obecność wycieku.

#### SPRAWDZIĆ:

- Połączenie regulatora do wymiennego zasobnika z ciekłym propanem.

**⚠ OSTRZEŻENIE:** W przypadku pojawienia się wycieku przy połączeniu (1), należy wyjąć wymienny zasobnik z ciekłym propanem. Nie należy używać grilla. Należy użyć innego wymiennego zasobnika z ciekłym propanem i ponownie sprawdzić pod kątem wycieków za pomocą roztworu wody i mydła. Jeżeli wyciek utrzymuje się po ponownym dokręceniu zasobnika z ciekłym propanem, należy odłączyć doprowadzenie gazu. **NIE UŻYWAĆ GRILLA.** Skontaktować się z przedstawicielem działu obsługi klienta w swoim miejscu zamieszkania korzystając z danych kontaktowych na naszej stronie internetowej. Zarejestruj się na stronie [www.weber.com](http://www.weber.com).

#### SPRAWDZIĆ:

- Połączenie zaworu do regulatora.

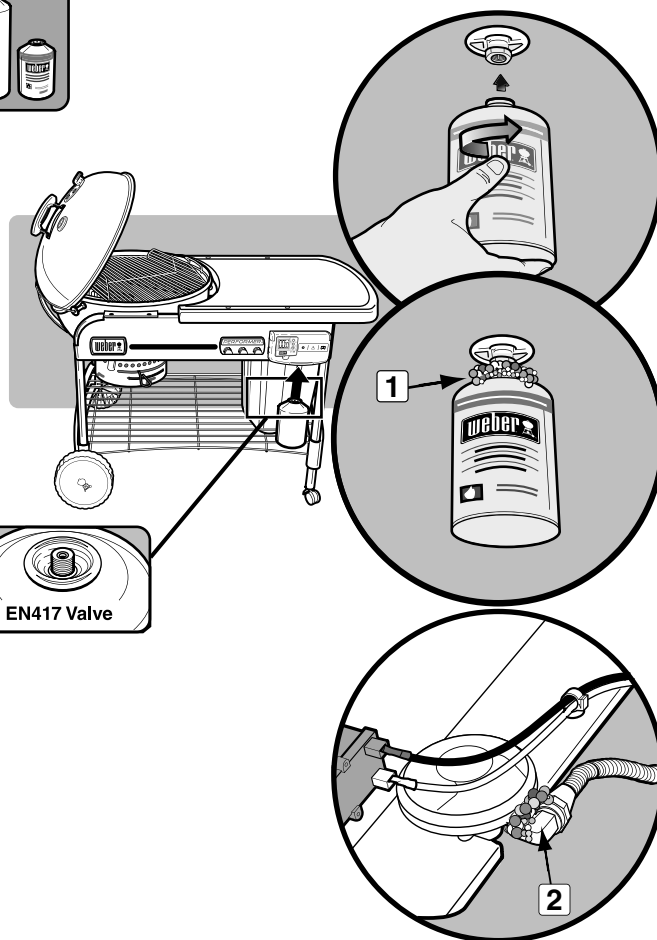
**⚠ OSTRZEŻENIE:** W razie wystąpienia wycieku przy połączeniu (2), odłączyć doprowadzenie gazu. **NIE UŻYWAĆ GRILLA.** Skontaktować się z przedstawicielem działu obsługi klienta w swoim miejscu zamieszkania korzystając z danych kontaktowych na naszej stronie internetowej.

Zarejestruj się na stronie [www.weber.com](http://www.weber.com).

Po zakończeniu kontroli wycieku, ODŁĄCZYĆ doprowadzenie gazu i przepłukać połączenia za pomocą wody.

#### ⚠ NIEBEZPIECZEŃSTWO

Nie należy przechowywać zapasowego wymiennego zasobnika z ciekłym propanem pod lub w pobliżu grilla.



## ZAPALANIE

**⚠ NIEBEZPIECZEŃSTWO**

Przed rozpaleniem otworzyć pokrywę. Nie należy używać łatwopalnych płynów takich jak rozpałka, benzyna, alkohol i żadnej formy samorozpalającego się węgla, nawet do rozpalania ręcznego. Nieprzestrzeganie tego zalecenia może doprowadzić do poważnych obrażeń ciała i śmierci.

A) Zdjąć pokrywę grilla przed użyciem funkcji rozpalania gazem.

**⚠ NIEBEZPIECZEŃSTWO: Nieprzestrzeganie zalecenia może doprowadzić do nagromadzenia się gazu i przyczynić się do pożaru lub wybuchu, które mogą doprowadzić do poważnych obrażeń ciała, śmierci lub uszkodzenia mienia.**

B) Otworzyć dolne zwilżacz kotła (1).

C) Umieścić Char-Baskets™ nad palnikiem (2).

D) Wepchnąć wypustki na pokrywę regulacji gazu (3) i podnieść w celu otwarcia.

E) Włączyć doprowadzenie gazu (w lewo) obracając przynajmniej o jeden pełny obrót (4).

**⚠ OSTRZEŻENIE: Nie należy pochylać się nad otwartym grillem w czasie rozpalania.**

F) Prima continuamente o botão de ignição até o queimador acender (5).

**⚠ PRZESTROGA: W jasny dzień możemy nie widzieć płomienia.**

G) Quando o carvão se acender (cerca de 5 minutos), DESLIGUE o manípulo de controlo de gás (no sentido dos ponteiros do relógio) até fechar.

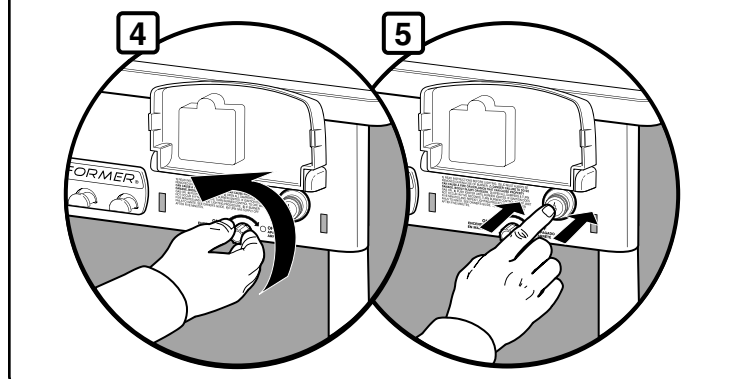
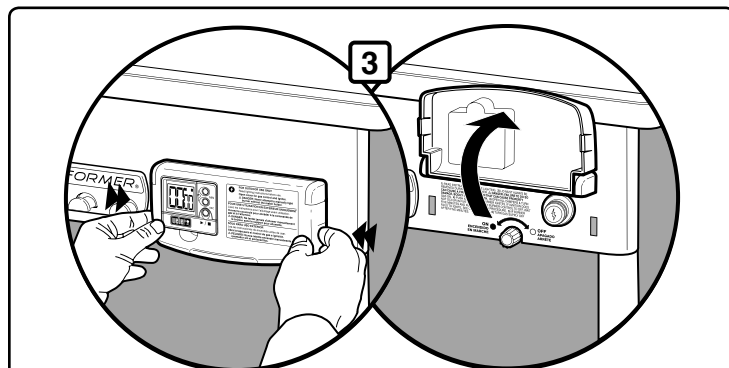
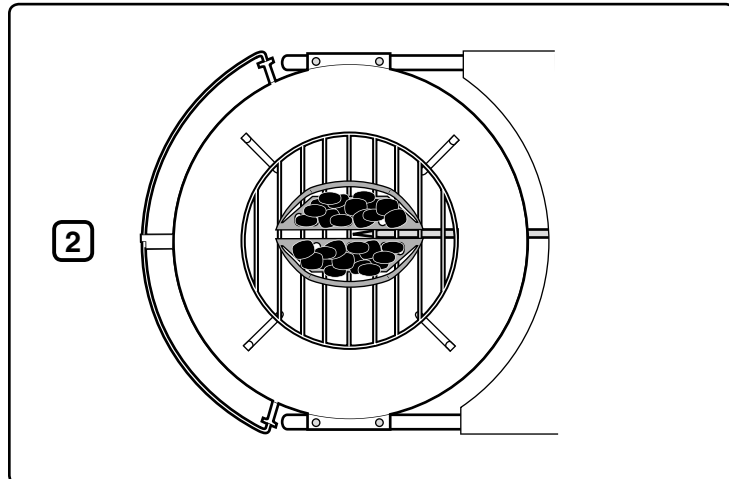
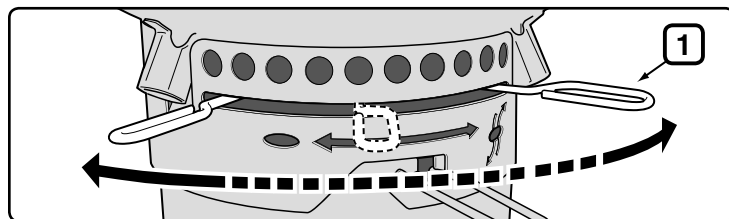
**⚠ PRZESTROGA: Zamknąć całkowicie pokrywę.**

Uwaga - Przedłużający się czas włączania zmniejsza trwałość użytkową butli.

H) Po pokryciu się węgla szarym popiołem można rozpocząć grillowanie (około 25-30 minut).

**W CELU ZGASZENIA GRILLA**

DESLIGUE o manípulo de controlo de gás (no sentido dos ponteiros do relógio) até fechar.



RĘCZNE ROZPALANIE

⚠ **OSTRZEŻENIE:** Nie należy podejmować próby ręcznego rozpalania grilla bez użycia uchwyty zapałki.

⚠ **NIEBEZPIECZEŃSTWO**

Przed rozpaleniem otworzyć pokrywę. Nie należy używać łatwopalnych płynów takich jak rozpałka, benzyna, alkohol i żadnej formy samorozpalającego się węgla, nawet do rozpalania ręcznego. Nieprzestrzeżenie tego zalecenia może doprowadzić do poważnych obrażeń ciała i śmierci.

A) Zdjąć pokrywę grilla przed użyciem funkcji gazu.

⚠ **NIEBEZPIECZEŃSTWO:** Nieprzestrzeżenie zalecenia może doprowadzić do nagromadzenia się gazu i przyczynić się do pożaru lub wybuchu, które mogą doprowadzić do poważnych obrażeń ciała, śmierci lub uszkodzenia mienia.

B) Otworzyć dolne zwilżacze kotła (1).

C) Odsunąć Char-Baskets™ od palnika (2).

D) Wepchnąć wypustki na pokrywę regulacji gazu (3) i podnieść w celu otwarcia.

E) Włożyć zapałkę w uchwyt zapałki (4). Zapalić zapałkę.

F) Włączyć doprowadzenie gazu (w lewo) obracając pokrętko przynajmniej o jeden pełny obrót (5).

G) Umieścić zapaloną zapałkę z tyłu otworu palnika (6).

⚠ **OSTRZEŻENIE:** Nie należy umieszczać rąk nad palnikiem podczas ręcznego rozpalania.

⚠ **OSTRZEŻENIE:** Nie należy pochylać się nad otwartym grillem w czasie rozpalania.

⚠ **PRZESTROGA:** W jasny dzień możemy nie widzieć płomienia.

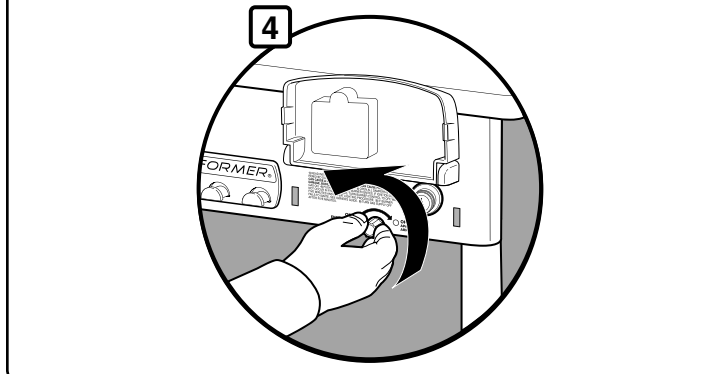
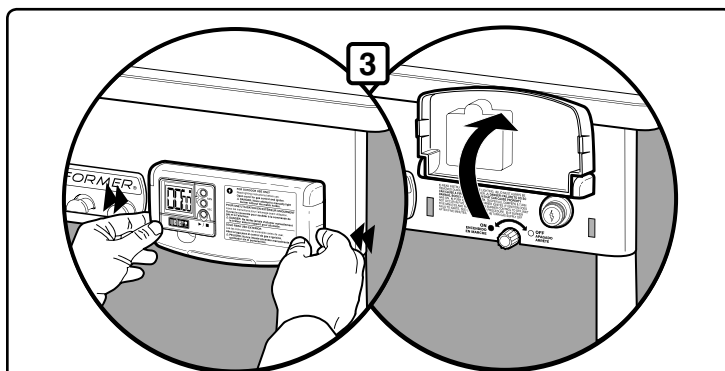
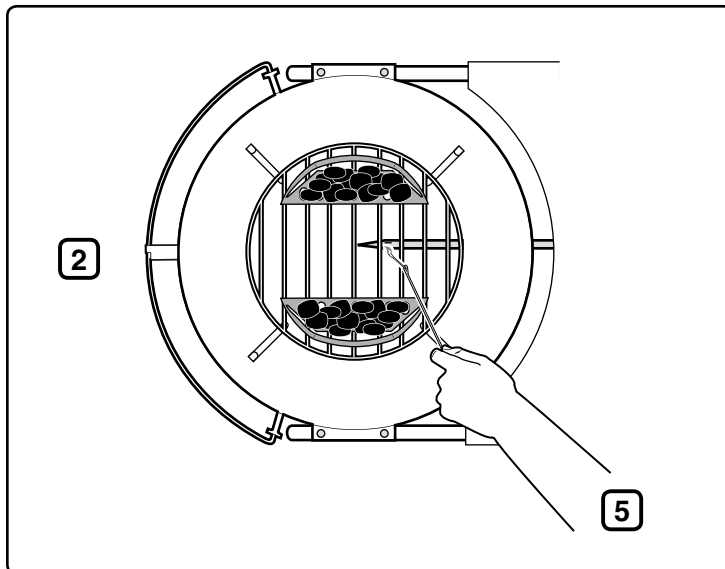
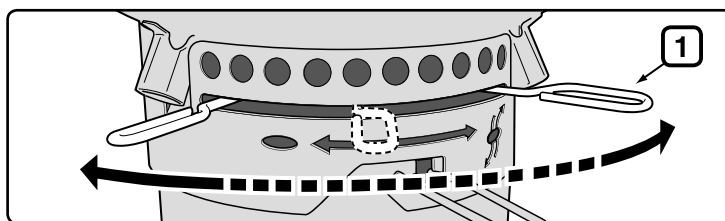
H) Do umieszczenia Char-Baskets™ z powrotem na palniku założyć rękawice i użyć szczypic.

I) Po rozpaleniu węgla (około 5 minut), wyłączyć doprowadzenie gazu (w prawo).

J) Po pokryciu się węgla szarym popiołem można rozpocząć grillowanie (około 25–30 minut).

W CELU ZGASZENIA GRILLA

DESLIGUE o manipulo de controlo de gás (no sentido dos ponteiros do relógio) até fechar.



## DZIAŁANIE LICZNIKA CZASU

Ten wodoodporny cyfrowy licznik czasu gotowania wyposażony jest w funkcje mierzenia czasu i odliczania czasu w minutach i sekundach.

### Aby ustawić odliczanie czasu:

- Nacisnąć przycisk **MIN** (1), aby ustawić minuty. Przytrzymać wciśnięty przycisk, aby szybko przewinąć minuty do przodu (maksymalne ustawienie: 99 minut) (4).
- Nacisnąć przycisk **SEC** (2), aby ustawić sekundy. Przytrzymać wciśnięty przycisk, aby szybko przewinąć sekundy do przodu (maksymalne ustawienie: 59 sekund) (5).
- Nacisnąć przycisk **Start/Stop**: ► / ■ (3).
- Po osiągnięciu żadanego czasu, na 30 sekund włącza się alarm dźwiękowy a następnie automatycznie ponownie rozpoczyna się odliczanie od poprzedniej nastawy czasu.

### Aby ustawić mierzenie czasu:

- Nacisnąć przycisk **Start/Stop**: ► / ■ . W trakcie mierzenia wyświetlacz pokazuje czas w minutach/sekundach.
- Ponownie nacisnąć przycisk, aby zatrzymać licznik czasu. (Maksymalne ustawienie: 99 minut (4), 59 sekund (5)).

### Aby wyzerować czas:

- Jednocześnie nacisnąć oba przyciski **MIN** i **SEC**: ◁ (1)(2).

Uwaga: W przypadku używania w środowisku, które naraża układ zegarowy na wyładowania elektrostatyczne, może dojść do utraty ustawienia czasu dla zespołu. Gdyby tak się stało, należy zresetować zespół i ponownie wprowadzić ustawienie czasu.

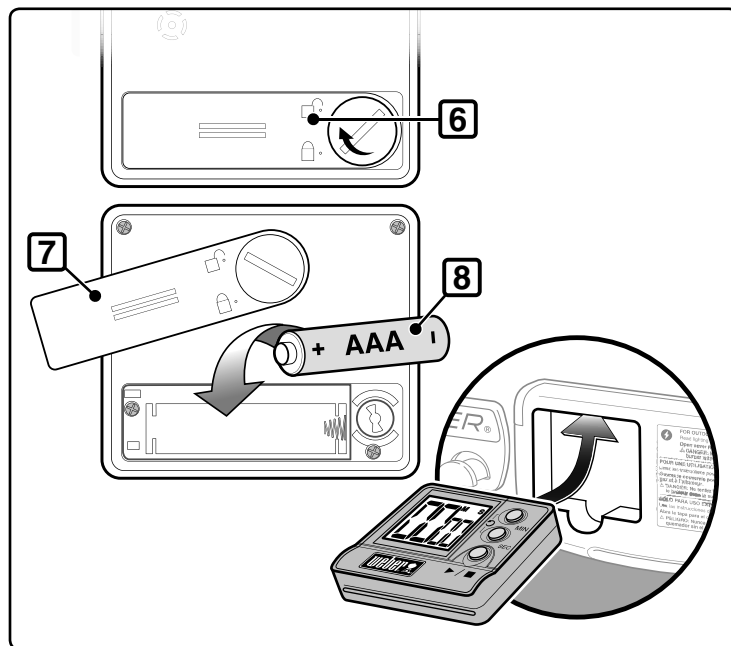
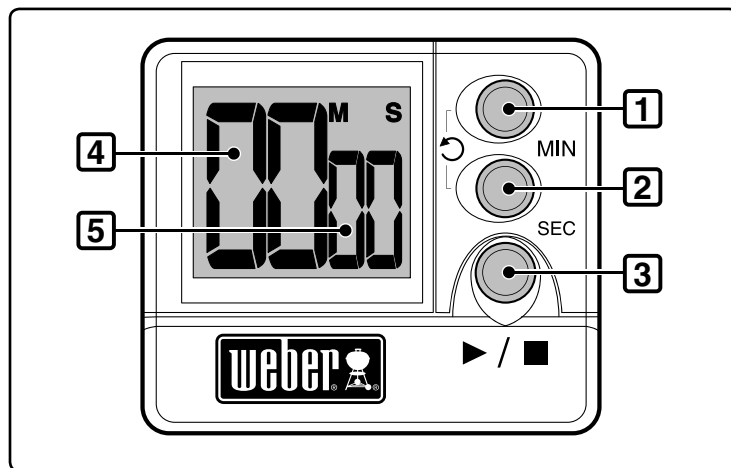
### Montaż baterii:

- Odblokować pokrywę baterii z tyłu licznika czasu (6), obracając blokadę w prawo.
- Zdjąć pokrywę baterii z tyłu licznika czasu (7).
- Wymienić baterię AAA (8).
- Ponownie założyć pokrywę baterii.
- Zablokować pokrywę baterii, obracając blokadę w lewo.
- Po zamontowaniu baterii na ekranie LCD wyświetli się wskazanie (0000).

### Konserwacja:

- Nie wolno czyścić urządzenia środkami ściernymi lub korozyjnymi. Mogą one spowodować zarysowanie elementów urządzenia lub korozję obwodów elektronicznych.
- Nie wolno wystawiać urządzenia na działanie nadmiernych sił, wstrząsów, kurz, wysoką temperaturę lub wilgotność. Mogłyby to doprowadzić do wadliwego działania, skrócenia żywotności podzespołów elektronicznych, uszkodzenia baterii lub odkształcenia elementów.
- Nie wolno manipulować przy wewnętrznych elementach urządzenia. Nieprzestrzeganie tego zalecenia spowoduje unieważnienie gwarancji urządzenia i może spowodować uszkodzenie baterii i elementów wewnętrznych.
- Nie wystawiać urządzenia na bezpośrednie działanie promieni słonecznych lub na ulewny deszcz.
- Nie zanurzać urządzenia w wodzie.

**Aby zapewnić najlepsze działanie cyfrowego licznika czasu gotowania, zaleca się przechowywanie nieużywanego licznika w pomieszczeniu.**



PROBLEM	SPRAWDZIĆ	NAPRAWA
Płomień palnika jest żółty lub pomarańczowy i czuć gaz.	Sprawdzić palnik pod kątem zablokowania.	Wyczyścić palnik. (Patrz rozdział "Konserwacja")
Palnik nie zapala się lub płomień jest niski.	Czy butla jest pusta lub jest niski poziom gazu?	Wymienić butlę gazową.
	Czy przewód jest zagięty lub zaplątał się?	Wyprostować przewód.
	Czy palnik zapala się po użyciu zapałki?	Jeżeli można zapalić palnik za pomocą zapałki, należy sprawdzić układ zapłonowy.
	Czy przewód do połączenia rury palnika jest prawidłowo zabezpieczony?	Podłączyć przewód gazu do rury palnika za pomocą dostarczonego metalowego zacisku zabezpieczającego. <b>⚠ NIEBEZPIECZENSTWO: Nie należy korzystać z funkcji rozpalania gazem, w przypadku zgubienia zacisku zabezpieczającego. Brak zacisku zabezpieczającego może przyczynić się do poważnych obrażeń ciała, śmierci i uszkodzenia mienia.</b> Skontaktować się z działem obsługi klienta w celu wymiany zacisku zabezpieczającego.
Wzorec płomienia palnika jest nierówny.	Czy palnik jest czysty?	Wyczyścić palnik. (Patrz rozdział "Konserwacja")
O queimador não acende quando prime o botão de ignição.	Certifique-se de que existe um fluxo de gás para os queimadores tentando acender os queimadores através de fósforos. Consulte "IGNIÇÃO MANUAL."	Se o acendimento através de fósforos for bem sucedido, o problema reside no sistema de ignição. Consulte: "FUNCIONAMENTO DO SISTEMA DE IGNIÇÃO ELECTRÓNICA."
	Tem um pilha nova instalada?	Certifique-se de que a pilha está em bom estado e instalada correctamente. Consulte "INSPECÇÃO DA IGNIÇÃO ELECTRÓNICA."
	Os fios estão bem ligados ao módulo de ignição?	Certifique-se de que os fios estão bem introduzidos nos terminais na caixa de ignição. Consulte: "FUNCIONAMENTO DO SISTEMA DE IGNIÇÃO ELECTRÓNICA."
	Existe uma película de plástico a envolver a pilha nova?	Retire a película de plástico.
O temporizador não funciona.	Tem um pilha nova instalada?	Certifique-se de que a pilha está em bom estado e instalada correctamente. Consulte: "FUNCIONAMENTO DO TEMPORIZADOR."
Wewnętrzna strona pokrywy wygląda tak jakby się "tuszczyla". (przypomina tuszczanie się farby.)	To co widzimy na pokrywie to wypalony tłuszcz, który zamienił się w węgiel i tusza się. <b>TO NIE JEST USZKODZENIE.</b>	Wyczyścić dokładnie. (Patrz rozdział "Czyszczenie")
Jeżeli nie uda się rozwiązać problemu za pomocą powyższych metod, należy skontaktować się z przedstawicielem działu obsługi klienta w swoim miejscu zamieszkania korzystając z danych kontaktowych na naszej stronie internetowej. Zarejestruj się na stronie <a href="http://www.weber.com">www.weber.com</a> .		

## KONSERWACJA

Po zakończeniu okresu nie użytkowania grilla, w celu zapewnienia bezpieczeństwa zalecamy przeprowadzenie poniższych czynności konserwacyjnych.

- Przed każdym użyciem grilla należy sprawdzić przewód pod kątem pęknięć, zużycia, wycięć. Jeśli przewód jest niezdatny do użytku, nie należy używać grilla. Przewód należy wymienić tylko na zatwierdzony przez firmę Weber®. Skontaktować się z przedstawicielem działu obsługi klienta w swoim miejscu zamieszkania korzystając z danych kontaktowych na naszej stronie internetowej. Zarejestruj się na stronie [www.weber.com](http://www.weber.com).

### ⚠ PRZESTROGA: W razie uszkodzenia lub nieszczelności przewodu gazowego grilla, nie należy używać grilla.

- Sprawdzić palnik pod kątem prawidłowego wzorca płomienia (patrz rozdział "Wzorzec płomienia palnika"). Jeśli jest to konieczne wyczyścić zgodnie z procedurami opisanymi w tym rozdziale.
- Sprawdzić wszystkie łączniki gazowe pod kątem wycieków (patrz rozdział "Sprawdzanie pod kątem wycieków").

## CZYSZCZENIE OKRESOWE

W celu usunięcia popiołu z kotła, przesunąć pręt regulujący (1) z boku na bok tak, aby łopatką zwilżacza usunęły popiół przez odpowietrzniki kotła do popielnika.

### ⚠ PRZESTROGA: Przed rozpoczęciem czyszczenia należy upewnić się, że palnik został wyłączony i grill jest zimny.

Podczas czyszczenia należy uważać, aby nie powiększyć otworów w palniku.

#### W celu wyczyszczenia palnika:

- Wyczyścić za pomocą szczotki drucianej zewnętrzną rurę palnika (2) oraz odcinek otworu palnika (3).

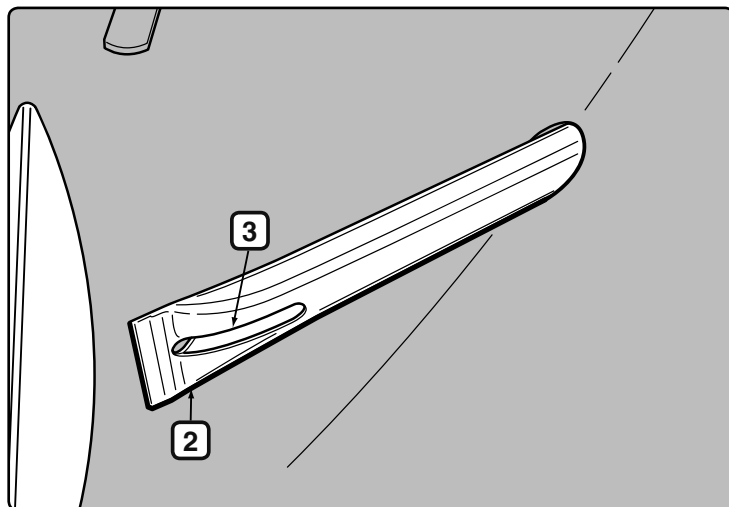
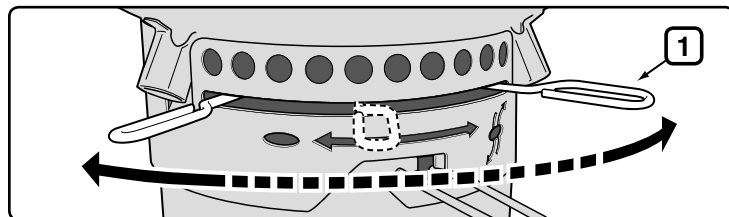
### ⚠ PRZESTROGA: Należy uważać, aby podczas czyszczenia nie powiększyć otworów palnika i otworu gazowego.

#### W celu wyczyszczenia kotła:

- Kiedy pokrywa jest ciepła, przetrzeć jej wnętrze za pomocą ręcznika papierowego, aby uniknąć gromadzenia tłuszczu.
- Do powierzchni zewnętrznych należy użyć roztworu wody z mydłem. Przepłukać za pomocą czystej wody.

#### W przypadku bardziej dokładnego czyszczenia (przynajmniej raz w roku):

- Usunąć popiół po całkowitym wygaśnięciu węgla.
- Zdjąć ruszty i Char-Baskets™.
- Wytrzeć za pomocą ręcznika papierowego. Umyć grill za pomocą delikatnego detergentu i wody. Wyplukać dobrze za pomocą czystej wody i wytrzeć do sucha.



## PRZECHOWANIE

- Jeżeli grill Performer jest przechowywany w pomieszczeniu, trzeba odłączyć instalację gazową, a butlę z ciekłym propanem należy przechowywać na zewnątrz w miejscu z dobrą wentylacją.
- Butle z ciekłym propanem należy przechowywać na zewnątrz w miejscu z dobrą wentylacją i niedostępnym dla dzieci. Nie wolno przechowywać butli z gazem w budynku, garażu i innym zamkniętym pomieszczeniu.
- Po okresie przechowywania i/lub nie użytkowania grilla, należy przed użyciem sprawdzić grill pod kątem wycieku gazu i blokady w rurze palnika (patrz rozdział "Konserwacja").
- Sprawdzić przed użyciem, czy obszar wokół butli, przewodu i palnika jest wolny od zanieczyszczeń, które mogą utrudnić przepływ gazu lub powietrza.



**ALARM ZWIĄZANY Z OBECNOŚCIĄ OWADÓW**

Grill Performer tak samo jak każde inne gazowe urządzenie do użytku na zewnątrz stanowi cel dla pająków i owadów. Mogą one zagnieżdżać się w odcinku zwężki Venturiego (1) rury palnika i uniemożliwić prawidłowy przepływ gazu i wypływ gazu z otworów powietrznych.

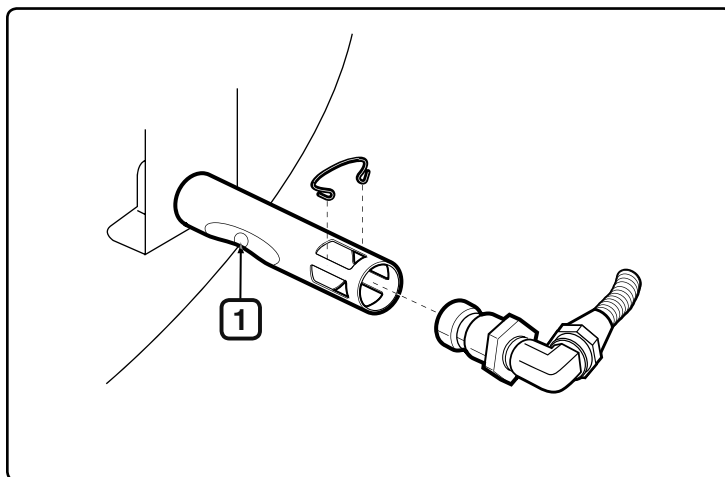
Może to doprowadzić do pożaru w i wokół rury palnika pod panelem kotła. To z kolei może przyczynić się do poważnego uszkodzenia grilla i doprowadzić do sytuacji, w której nie będzie nadawał się do użytku.

Zalecamy sprawdzanie i czyszczenie rury palnika przynajmniej raz w roku lub w przypadku pojawienia się jednego z poniższych objawów:

- A) Zapach gazu połączony z żółtymi i małymi płomieniami z palnika.
- B) Palnik wydaje dziwne hałasy.

**⚠ NIEBEZPIECZEŃSTWO**

**Nie rozwiązanie problemu może być przyczyną pożaru lub wybuchu i doprowadzić do poważnych obrażeń ciała, śmierci i uszkodzenia własności.**

**SPRAWDZENIE I CZYSZCZENIE PALNIKA**

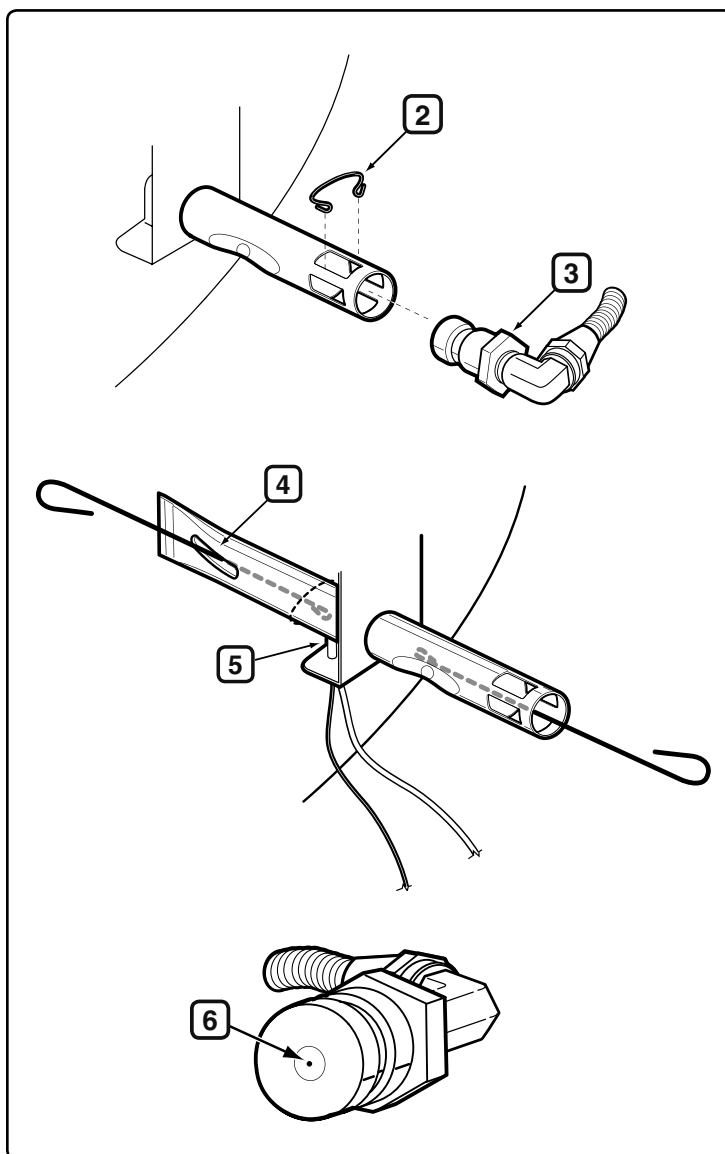
- A) Wyłączyć doprowadzenie gazu.
- B) Wyjąć pojemnik do przechowywania CharBin™.
- C) Zdjąć zacisk z otworu (2) i wyjąć łącznik przewodu (3) z rury palnika.
- D) Sprawdzić wnętrze palnika za pomocą latarki.
- E) Wyczyścić wnętrze palnika za pomocą przyrządu drucianego (dostarczony).

Za pomocą drutu wyczyścić obszar odpowietrznika, złączki Venturiego oraz otwory palnika (4) wewnątrz kotła. Należy uważać w czasie wkładania narzędzia do czyszczenia, aby nie uszkodzić elektrody zapłonu (5).

- F) Ponownie sprawdzić i podświetlić latarką pod kątem blokady.
- G) Jeśli jest to konieczne, należy wyczyścić powierzchnię łącznika przewodu za pomocą szczotki drucianej. Otwór (6) można wyczyścić za pomocą małej szpilki.

**⚠ PRZESTROGA: Należy uważać, aby nie powiększyć otworu podczas czyszczenia.**

- H) Ponownie zmontować elementy, w odwrotnej kolejności (etapy B i C).

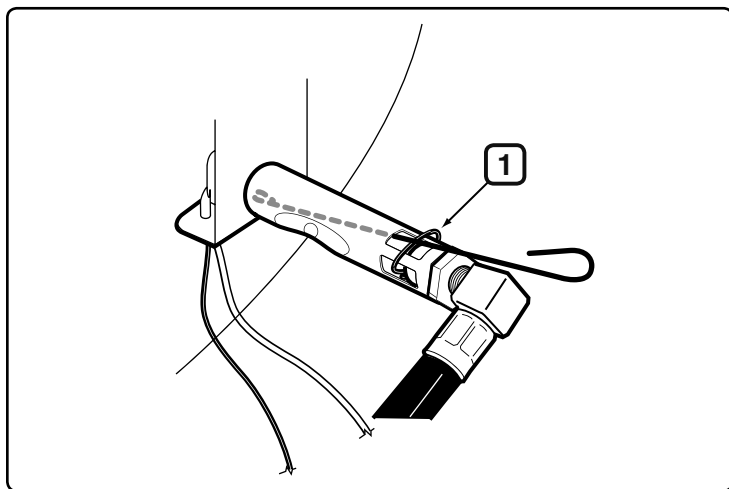


### OKRESOWE SZYBKIE CZYSZCZENIE

Recomendamos que escove periodicamente o exterior das aberturas do queimador com uma escova metálica e limpe o tubo do queimador através da abertura do ar de combustão com o suporte para fósforos fornecido.

Można to zrobić lokalizując odpowietrznik spalania palnika (1) pod wspornikiem kotła i wkładając narzędzie przez każdy odpowietrznik spalania, obracając narzędzie. Tenha cuidado ao inserir o suporte para fósforos para não danificar o eléctrodo do acendedor.

**⚠ PRZESTROGA: Ważne jest zwiększenie częstotliwości przeprowadzania tej procedury czyszczenia w okresach wiosennym i letnim.**



### INSPECÇÃO DA IGNIÇÃO ELECTRÓNICA

Se o sistema de ignição electrónica não conseguir acender, certifique-se de que existe fluxo de gás tentando acender os queimadores através de fósforos. Consulte "ACENDIMENTO MANUAL". Se o acendimento através de fósforos for bem sucedido, o problema reside na ignição electrónica.

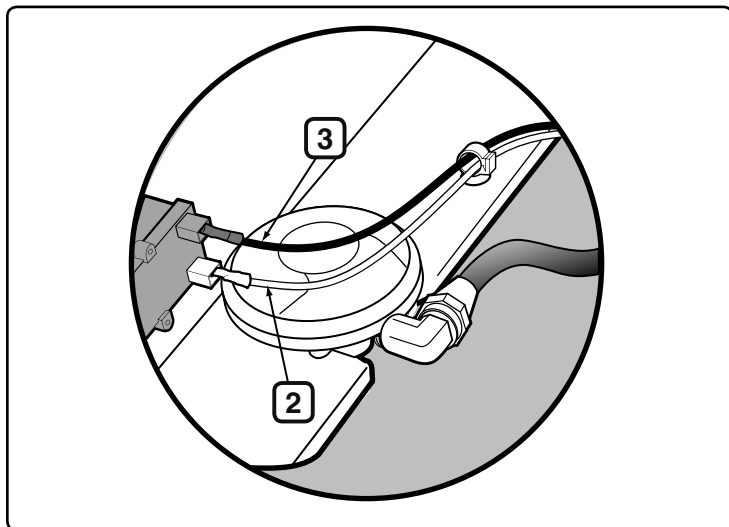
**⚠ AVISO: A válvula de fornecimento e controlo de gás deve estar na posição DESLIGADA.**

- Certifique-se de que a pilha AAA (apenas alcalina) está em bom estado e bem instalada (1). Algumas pilhas estão envolvidas numa película de protecção de plástico. Este plástico tem de ser retirado. Não confunda este plástico com o rótulo da pilha.
- Verifique se os fios de ignição branco (2) e preto (3) estão devidamente ligados.
- Verifique se o botão da ignição electrónica está a funcionar, ouvindo e procurando faíscas no queimador.
- Verifique se o botão de ignição está solto na estrutura. Se necessário, aperte; consultar o passo: "Instalar" para consultar o procedimento correcto.

#### Substitua A Pilha, Se Necessário

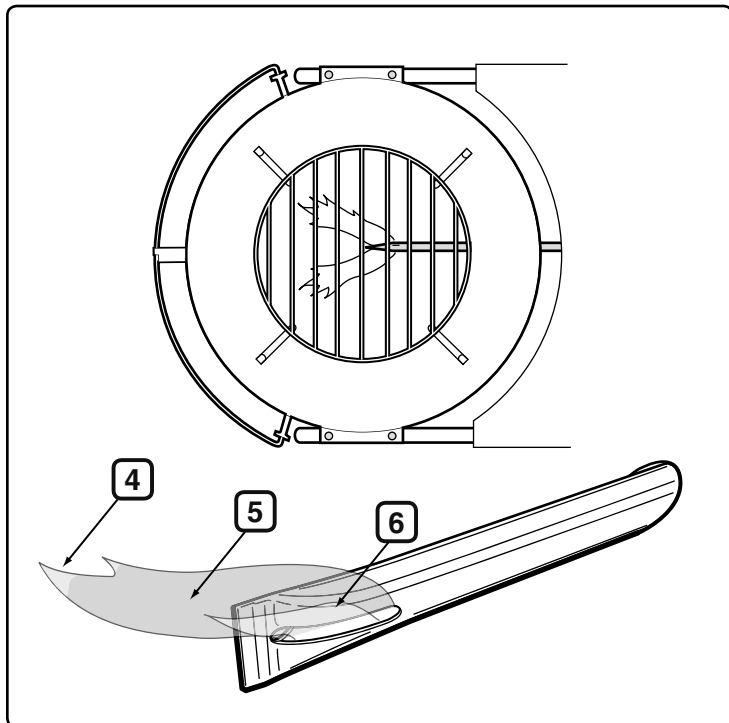
Utilize apenas pilhas alcalinas AAA.

Se o sistema de ignição electrónica continuar a não acender, contacte o representante do serviço de assistência ao cliente da sua área através das informações de contacto no nosso website. Aceda a [www.weber.com](http://www.weber.com).



### WZORZEC PŁOMIENIA W PALNIKU

Palnik grilla został ustawiony fabrycznie pod kątem doprowadzania prawidłowej mieszanki gazu i powietrza. Prawidłowy wzorzec płomienia powinien posiadać żółtawe końce (4), niebieski środek (5) i jasno niebieski kolor przy rurze palnika (6). Jeśli płomień nie wygląda tak jak to zostało przedstawione powyżej lub pojawił się dziwny hałas, należy wyczyścić palnik zgodnie z procedurą czyszczenia.





**⚠ UWAGA: Ten produkt został przetestowany pod kątem bezpieczeństwa i jest przeznaczony do użytku w określonym kraju. Patrz oznaczenia krajów na zewnątrz opakowania.**

Ten produkt może zawierać pojemniki gazu lub elementy do spalania gazu. W celu uzyskania informacji na temat oryginalnych części zamiennych Weber-Stephen Products LLC, należy skontaktować się z Działem obsługi klienta Weber-Stephen Products LLC.

**⚠ OSTRZEŻENIE: Nie należy podejmować samodzielnych prób naprawy elementów przeznaczonych do transportu gazu, palenia gazu, bez wcześniejszego skontaktowania się z Działem obsługi klienta Weber-Stephen Products LLC, Działania użytkownika, jeżeli nie będą zgodne z ostrzeżeniami mogą doprowadzić do pożaru lub wybuchu i przyczynić się do poważnych obrażeń, śmierci oraz uszkodzenia mienia.**

**Ten symbol informuje o tym, że niniejszego produktu nie należy wrzucać do odpadów gospodarstwa domowego. W celu uzyskania instrukcji dotyczących prawidłowej utylizacji produktu w Europie, należy odwiedzić naszą stronę internetową [www.weber.com](http://www.weber.com)<sup>®</sup> i skontaktować się z importerem dla kraju użytkownika. W przypadku trudności z dostępem do Internetu, należy skontaktować się ze sprzedawcą w celu uzyskania nazwy importera, adresu i numeru telefonu.**

Jeżeli użytkownik podejmie decyzję o usunięciu grilla, wszystkie elektryczne podzespoły (np. silnik, bateria, moduł zapłonu, oświetlenie) należy usunąć zgodnie z dyrektywą WEEE. Należy je usuwać oddzielnie.



WEBER-STEPHEN PRODUCTS LLC  
[www.weber.com](http://www.weber.com)<sup>®</sup>



# PERFORMER® DELUXE

Руководство пользователя гриля  
Weber на древесном угле

МОНТАЖ - Pg 5

#54785



**ПРОЧТИТЕ ДАННОЕ РУКОВОДСТВО  
ПОЛЬЗОВАТЕЛЯ, ПЕРЕД ТЕМ КАК  
ИСПОЛЬЗОВАТЬ ВАШ ГАЗОВЫЙ ГРИЛЬ**

## ⚠ ОПАСНО

При запахе газа:

1. Перекройте газ на устройстве.
2. Погасите открытый огонь.
3. Откройте крышку.
4. Если запах все еще чувствуется, находитесь подальше от устройства и немедленно вызовите пожарно-газовую службу.

Утечка газа может вызвать пожар или взрыв и привести к серьезным телесным повреждениям или смерти, или материальному ущербу.

**⚠ ПРЕДОСТЕРЕЖЕНИЕ:** Строго следуйте всем процедурам проверки оборудования на утечку, описанным в настоящем руководстве, перед тем как использовать барбекю. Делайте это, даже если барбекю установлен непосредственно дилером.

## ⚠ ПРЕДОСТЕРЕЖЕНИЕ:

1. Запрещается хранить бензин или другие возгораемые вещества рядом с этим или любым другим устройством.
2. Цилиндр подачи газа, не подсоединенный для использования, не должен находиться рядом с этим или любым другим устройством.

**⚠ ПРЕДОСТЕРЕЖЕНИЕ:** Не пытайтесь включить газовый аппарат барбекю Weber®, не прочитав раздел “Включение” настоящего руководства.

## ИНФОРМАЦИЯ ДЛЯ МОНТАЖНИКА:

Настоящее руководство предназначается для владельца, который будет сохранять его для дальнейшего использования.

**ИСКЛЮЧИТЕЛЬНО ДЛЯ  
ИСПОЛЬЗОВАНИЯ НА УЛИЦЕ.**

ИГНОРИРОВАНИЕ ЭТИХ СООБЩЕНИЙ ОБ ОПАСНОСТИ, ПРЕДУПРЕЖДЕНИЙ И ПРЕДОСТЕРЕЖЕНИЙ МОЖЕТ ПРИВЕСТИ К СЕРЬЕЗНЫМ ТЕЛЕСНЫМ ПОВРЕЖДЕНИЯМ ИЛИ СМЕРТИ, ЛИБО К ПОЖАРУ ИЛИ ВЗРЫВУ, КОТОРЫЙ ПРИВЕДЕТ К МАТЕРИАЛЬНОМУ УЩЕРБУ.

- △ СИМВОЛЫ БЕЗОПАСНОСТИ (△) будут предупреждать Вас о важной информации по обеспечению БЕЗОПАСНОСТИ.
- △ Предупредительные слова ОПАСНО, ПРЕДОСТЕРЕЖЕНИЕ или ВНИМАНИЕ будут использоваться с СИМВОЛОМ БЕЗОПАСНОСТИ.
- △ ОПАСНО определяет наиболее серьезную опасность.
- △ Прочтите всю информацию по обеспечению безопасности, содержащуюся в Руководстве пользователя.

#### △ ОПАСНО

- △ Игнорирование сообщений об опасности, предупреждений и предостережений, содержащихся в этом руководстве пользователя, может вызвать серьезные телесные повреждения, смерть или пожар, что приведет к материальному ущербу.
- △ Не пользуйтесь в помещении! Барбекю предназначено только для наружного использования. При использовании в помещении будут накапливаться ядовитые дымы, которые могут стать причиной серьезных телесных повреждений или смерти.
- △ Используйте барбекю только на улице в хорошо проветриваемой зоне. Не используйте в гараже, здании, подворотне или в других примыкаемых зонах.
- △ Не используйте барбекю под навесными возгораемыми сооружениями.
- △ Неправильная сборка может быть опасной. Следуйте инструкциям по сборке, приведенным в настоящем руководстве. Не используйте барбекю до тех пор, пока не будут установлены все элементы. Проверьте, чтобы золоуловитель был правильно подсоединен к ножкам под чашей барбекю или чтобы был установлен в соответствующем положении большой золоуловитель, перед тем как зажигать гриль.
- △ Не добавляйте жидкость для розжигания древесного угля или уголь, смоченный в этой жидкости, для нагрева или подогрева древесного угля. Устраните жидкость для розжигания после использования, соблюдая безопасное расстояние от барбекю.
- △ Никогда не используйте бензин, жидкость для розжигания или спирт для розжигания древесного угля. Никогда не используйте самовоспламеняющийся уголь в любой его форме.
- △ Необходимо обеспечивать соответствующий уход при использовании вашего барбекю. Прибор нагревается во время приготовления пищи, поэтому, при использовании, его нельзя оставлять без присмотра.
- △ Не оставляйте младенцев, детей или домашних животных без присмотра около горячей камеры копчения.
- △ Не пытайтесь перемещать горячую камеру копчения.
- △ Не пользуйтесь барбекю в радиусе пяти футов от горючих материалов. Горючие материалы включают, в том числе, древесину или обработанные деревянные настилы, патио или крыльцо.
- △ Горючие материалы не должны находиться в радиусе 24 дюймов от верхней, нижней, задней и боковых стенок барбекю.
- △ В области готовки не должны присутствовать пары или такие жидкости, как бензин, спирт и др. и горючие материалы.
- △ Не удаляйте золу до тех пор, пока весь древесный уголь не сгорит и потухнет полностью.
- △ Всегда кладите уголь в корзину Char-Baskets™ или на верхнюю часть нижней решетки (для угля). Не кладите уголь непосредственно в нижней части чаши.
- △ Не надевайте одежду с просторными рукавами при зажигании или использовании барбекю.
- △ Никогда не прислоняйтесь к барбекю при зажигании газовой горелки.
- △ Не пользуйтесь барбекю при сильном ветре.
- △ Не пользуйтесь барбекю при обнаружении утечки газа.
- △ Не используйте огонь для проверки устройства на утечку газа.
- △ В случае если горелка выключится во время работы аппарата, отключите вентильную арматуру резервуара. Снимите крышку и подождите пять минут до того, как зажечь горелку снова, следуя инструкциям по зажиганию в настоящем руководстве.
- △ Не пытайтесь отсоединить регулятор газа от резервуара или другого газового фитинга во время работы барбекю.
- △ Используйте исключительно регулятор сжиженного нефтяного газа, предоставленный вместе с вашим барбекю.

#### △ ПРЕДОСТЕРЕЖЕНИЯ

- △ Следуйте инструкциям подсоединения регулятора вашего газового гриля.
- △ Нельзя хранить запасной или отсоединенный одноразовый картридж сжиженного нефтяного газа под или рядом с этим барбекю.
- △ Храните барбекю на безопасной ровной поверхности, не содержащей горючих материалов.
- △ Нельзя класть крышку барбекю или другие горючие предметы в области хранения под барбекю.
- △ Всегда снимайте крышку перед тем, как зажечь газовую горелку, вручную или при помощи запального устройства. Крышка всегда должна быть снята до тех пор, пока уголь не разгорится полностью.
- △ Никогда не касайтесь решетки для пищи или древесного угля или барбекю для проверки температуры.
- △ Не используйте лаву или угольные камни для этого барбекю.
- △ Не используйте воду в целях контроля вспышки огня или гашения углей, это может повредить фарфоровую отделку. Закройте слегка нижнюю часть воздушных отверстий (демпферы) и накройте чашу крышкой.
- △ Погасите угли по завершении приготовления пищи. Закройте все вентиляционные отверстия (демпферы) после закрытия чаши крышкой.
- △ Необходимо всегда надевать перчатки для барбекю во время приготовления и регулирования воздушных отверстий (демпферов), добавления угля и манипулирования термометром или крышкой.
- △ Пользуйтесь надлежащими приборами для приготовления пищи на барбекю с длинными, теплостойкими ручками.
- △ Некоторые модели могут быть оснащены фиксатором крышки Tuck-Away™. Держатель крышки Tuck-Away™ используется для удержания крышки во время проверки или перемешивания вашей пищи. Нельзя использовать держатель крышки Tuck-Away™ в качестве ручки для подъема или перемещения гриля. Нельзя класть горячую крышку на ковровый настил или траву. Не подвешивайте крышку за ручку чаши.
- △ Нельзя складывать горячие угли там, где на них могут наступить или где они могут стать причиной пожара. Нельзя удалять золу или угли, если они полностью не погасли. Подождите полного погашения золы и углей, перед тем как разбирать барбекю.

- ⚠ Обращайтесь и храните горячие электрические стартеры аккуратно.
- ⚠ Электрические провода должны находиться в стороне от горячих поверхностей барбекю и мест интенсивного транспортного движения.
- ⚠ По истечении некоторого периода хранения и/или неиспользования проверьте аппарат на утечку газа и горелку на загрязнение перед использованием. Смотрите инструкции в настоящем руководстве для правильного функционирования аппарата.
- ⚠ Преобразование или попытка использования природного газа в этом барбекю опасно и аннулирует гарантию.
- ⚠ Неровный или заржавленный одноразовый картридж сжиженного нефтяного газа может быть опасен и должен проверяться вашим поставщиком жидкого пропана. Не используйте одноразовый картридж сжиженного нефтяного газа с поврежденным клапаном.
- ⚠ Несмотря на то что ваш одноразовый картридж сжиженного нефтяного газа может показаться пустым, он все еще может содержать остатки газа. Перевозите и храните одноразовый картридж сжиженного нефтяного газа должным образом.
- ⚠ В случае если вы видите, чувствуете запах или слышите утечку газа из одноразового картриджа сжиженного нефтяного газа:
  1. Отойдите подальше от местонахождения одноразового картриджа сжиженного нефтяного газа.
  2. Не пытайтесь исправить проблему самостоятельно.
  3. Свяжитесь с противопожарной службой.

⚠ ВНИМАНИЕ

- ⚠ Наложение алюминиевой фольги на чашу будет мешать потоку воздуха. Вместо этого используйте поддон для стекания жира с мяса при приготовлении непрямым способом.
- ⚠ Использование острых предметов для очистки решетки для пищи или удаления золы повредит покрытие.
- ⚠ Использование абразивных моющих средств для очистки решетки для пищи или самого барбекю повредит покрытие.
- ⚠ Необходимо тщательно и регулярно очищать барбекю.

ГАРАНТИЯ

Компания Weber-Stephen Products LLC (Weber®) настоящим дает гарантию ПЕРВИЧНОМУ ПОКУПАТЕЛЮ этого газового гриля Weber® в том, что прибор не будет иметь дефектов материалов и изготовления в течение следующего периода, начиная с даты покупки:

Решетки для пищи / древесного угля	2 года
Алюминированные лопасти/накладные части	
Система очистки One-Touch™	5 лет
Система очистки One-Touch™ из нержавеющей стали	10 лет
Чаша и крышка от ржавчины / прожога	10 лет
Нейлоновые ручки	10 лет
Термопластические/Термореактивные детали (Performer®)	10 лет, исключая обесцвечивание
Все другие детали	2 года

при условии сборки и использования в соответствии с сопроводительными печатными инструкциями.

Компания Weber может потребовать обоснованное подтверждение от вас даты покупки прибора. ПОЭТОМУ СОХРАНИТЕ КВИТАНЦИЮ О ПРОДАЖЕ ИЛИ СЧЕТ-ФАКТУРУ.

Настоящая ограниченная гарантия ограничивается правом на ремонт или замену деталей, которые оказались дефектными при нормальном использовании и обслуживании, и при обследовании которых компания Weber убедилась в их дефектном состоянии. Перед возвратом каких-либо деталей свяжитесь с местным представителем отдела обслуживания покупателей, используя контактные данные в данном руководстве. Если компания Weber® подтверждает дефект и признает иск, то компания Weber® заменит такие детали бесплатно. Если Вам необходимо вернуть дефектные детали, то необходимо выполнить предоплату за транспортировку. Компания Weber® возвратит детали покупателю при предоплате за перевозку или пересылку по почте.

Настоящая ограниченная гарантия не распространяется на какие-либо поломки или трудности в эксплуатации, связанные с аварией, неправильным использованием, реконструкцией, неверным применением, вандализмом, неправильной установкой или техобслуживанием или невыполнением обычных регулярных процедур по техобслуживанию аппарата, включая повреждения в результате попадания насекомых в трубки горелки, как обозначено в настоящем руководстве пользователя.

Ухудшение состояния или повреждение, вызванное плохими погодными условиями, такими как град, ураган, землетрясение или торнадо, обесцвечивание из-за прямого или атмосферного воздействия химических веществ, не покрывается настоящей ограниченной гарантией.

Не существует других прямых гарантий, любая применимая косвенная гарантия пригодности для продажи ограничивается сроком действия до периода действия данной прямой письменной ограниченной гарантии. В некоторых регионах не допускается ограничение продолжительности косвенной гарантии, следовательно, это ограничение не будет к вам применимо.

Компания Weber® не несет ответственности за намеренные, косвенные или последовательные повреждения. В некоторых регионах не допускается исключение или ограничение побочного или последующего ущерба, в таком случае это ограничение или исключение к вам не применяется.

Компания Weber® не разрешает каким-либо лицам или компаниям принимать на себя какие-либо обязательства, связанные с продажей, установкой, использованием, удалением, возвратом или заменой оборудования; эти обязательства берет на себя сама компания Weber®.

Настоящая гарантия распространяется исключительно на изделия, продаваемые в розницу.

Посетите сайт [www.weber.com](http://www.weber.com)®, выберите страну происхождения и зарегистрируйте гриль сегодня.

ЗАМЕНА ШЛАНГА, РЕДУКТОРА И КЛАПАНА В СБОРЕ

⚠ **ВАЖНОЕ ЗАМЕЧАНИЕ:** Рекомендуем заменять газовый шланг на газовом гриле Weber каждые 5 лет. В некоторых странах могут существовать требования замены газового шланга с более коротким интервалом, чем 5 лет. В этом случае местное требование становится главным к исполнению.

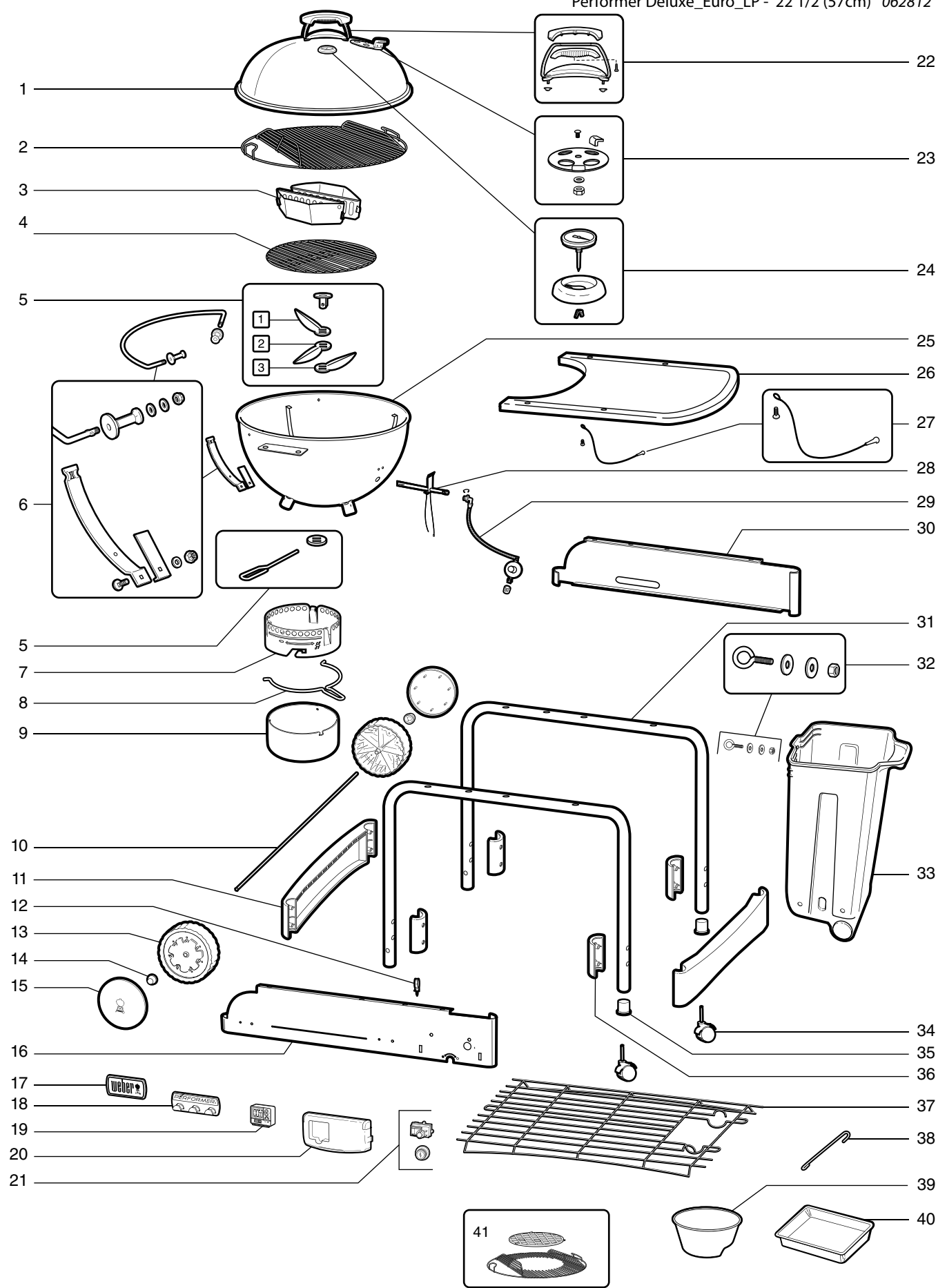
В случае замены шланга, редуктора и клапана в сборе связывайтесь с местным представителем службы обслуживания клиентов, контактная информация которого находится на нашем веб-сайте. Зарегистрируйтесь на [www.weber.com](http://www.weber.com)®.

СТРАНА

ТИП ГАЗА И ДАВЛЕНИЕ

Дания, Швеция, Норвегия, Финляндия, Англия, Нидерланды, Соединенное Королевство, Франция, Испания, Португалия, Бельгия, Ирландия, Греция, Люксембург, Италия, Германия, Австрия	I <sub>3B/P</sub> - 29мбар	
<b>ДАнные О ПОТРЕБлении</b>		
Зажигательная горелка. Макс.		
Смесь пропана/бутана	кВт(гс)	гм(гс)
	2,6	192

Performer Deluxe\_Euro\_LP - 22 1/2 (57cm) 062812





- |                                                   |                                                   |                                          |
|---------------------------------------------------|---------------------------------------------------|------------------------------------------|
| 1. Крышка                                         | 14. Колпак втулки                                 | 28. Блок горелки                         |
| 2. Навесная решетка для приготовления пищи        | 15. Крышка колеса                                 | 29. Шланг и регулятор со скобой          |
| 3. Char-Baskets™                                  | 16. Передняя панель                               | 30. Задняя панель                        |
| 4. Решетка для углей                              | 17. Плита с логотипом                             | 31. Стойка рамы                          |
| 5. Система Очистки One-Touch™                     | 18. Держатели инструмента                         | 32. Аппаратура CharBin™                  |
| 6. Держатель крышки и нижняя опора                | 19. Цифровой Таймер                               | 33. CharBin™                             |
| 7. Кольцо золоуловителя                           | 20. Крышка блока управления газом                 | 34. Разбрасыватели                       |
| 8. Ручка золоуловителя                            | 21. Кнопка Воспламенителя / Модуль Воспламенителя | 35. Вставки разбрасывателя               |
| 9. Большой золоуловитель                          | 22. Рукоятка крышки в сборе                       | 36. Скоба кронштейна стойки рамы         |
| 10. Вал                                           | 23. Виброгаситель крышки в сборе                  | 37. Нижняя полка                         |
| 11. Кронштейн стойки рамы                         | 24. Термометр                                     | 38. Держатель Спичек                     |
| 12. Проволочная оттяжка зажигательного устройства | 25. Чаша                                          | 39. Чаша для угля                        |
| 13. Колесо                                        | 26. Стол                                          | 40. Одноразовый поддон для стекания жира |
|                                                   | 27. Цепь крепления CharBin™                       |                                          |

### МОЖЕТ ВХОДИТЬ В КОМПЛЕКТ:

41. Решетка для сушки с навесной решеткой для приготовления пищи

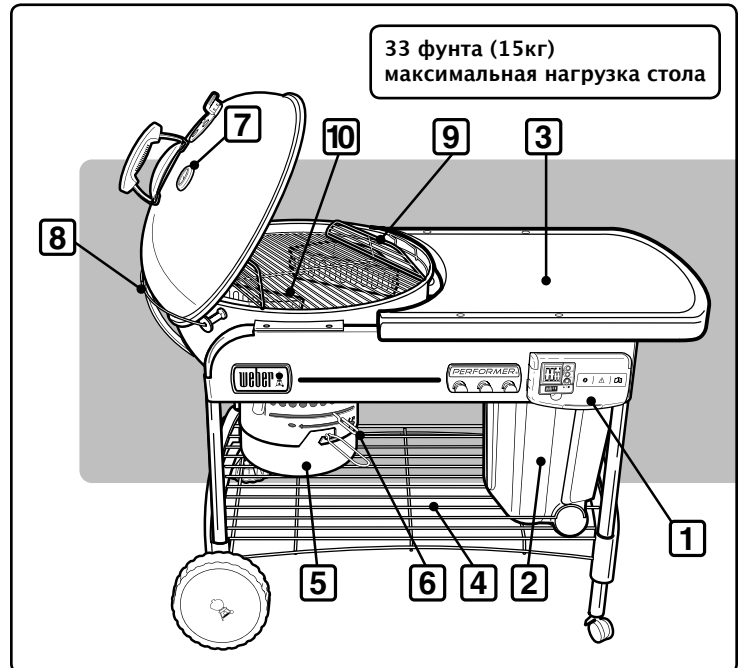
Если у вас есть вопросы или вы нуждаетесь в рекомендациях относительно выбора гриля или его безопасной эксплуатации, зайдите на сайт [www.weber.com](http://www.weber.com).

- Эти инструкции предоставят вам минимальные требования по монтажу вашего барбекю Weber®. Прочтите внимательно эти инструкции, перед тем как начинать использовать ваш аппарат барбекю Weber®. Неправильная сборка может быть опасной.
- Не предназначен для использования детьми.
- Барбекю Weber® предназначается исключительно для использования с пропаном или газовой смесью пропана/бутана. Не применяйте природный газ. Клапан и регулятор предназначены исключительно для пропана или газовой смеси пропана/бутана.
- Газовый прибор барбекю Weber® не предназначен для использования в коммерческих целях.

- Использование спирта и/или лекарств, отпускаемых по рецепту и без него, может уменьшить возможности потребителя по сборке или безопасной работе барбекю.
- Барбекю Weber® не предназначено для использования в качестве обогревателя.
- Не оставляйте барбекю Weber® без присмотра. Не допускайте детей и домашних животных к барбекю Weber®.
- Проверьте, чтобы в области под контрольной панелью и нижнем лотке не было обломков, которые могут препятствовать потоку сгорания или вентиляционному воздуху.
- Любые детали, запечатанные производителем, не должны изменяться пользователем.
- Любые изменения прибора могут быть опасными.

## ХАРАКТЕРИСТИКИ

- Эксклюзивная система зажигания газовой горелки Touch-N-Go™ решает проблему зажигания при помощи углевых брикетов (1). Для зажигания газовой горелки просто нажмите и удерживайте нажатой кнопку. Нет необходимости в использовании или хранении опасных жидких стартеров, оставляющих привкус.
- Контейнер для хранения CharBin™ удерживает сумку с углем максимальным весом 30 фунтов/13,7 кг (2). Эта сумка располагается прямо в контейнере для хранения CharBin™.
- Термореактивная рабочая поверхность отличается своими характеристиками и включает контейнер для хранения CharBin™ для сохранения брикетов сухими (3).
- Удобная нижняя полка для хранения (4).
- Большой золоуловитель замыкается на месте, удаляя выдуваемую золу (5).
- Система очистки One-Touch® позволяет легко удалить золу, открывает и закрывает вентиляционные каналы (6).
- Термометр контролирует температуру приготовления пищи в гриле (7).
- Крышка Tuck-Away™ задвигается назад в держатель крышки из нержавеющей стали и служит ветровым щитом при зажигании брикетов (8).
- Откидные заслонки открываются на решетке для приготовления пищи, чтобы облегчить добавление брикетов или древесных стружек во время приготовления (9).
- Резервуары топлива Char-Basket™ обеспечивают гибкость в использовании таких материалов, как дерево или древесные угли (10).



## РАБОЧАЯ ОБЛАСТЬ

- ⚠ **ПРЕДОСТЕРЕЖЕНИЕ:** Используйте барбекю только на улице в хорошо проветриваемой зоне. Не используйте в гараже, здании, подворотне или в других примыкаемых зонах.
- ⚠ **ПРЕДОСТЕРЕЖЕНИЕ:** Открытые части могут быть очень горячими. Не подпускайте близко детей.
- ⚠ **Никогда не пользуйтесь барбекю под навесными воспламеняемыми сооружениями.**
- ⚠ Барбекю Weber® не предназначено для установки на транспорте для отдыха и/или судах.
- ⚠ Не используйте горючие материалы в радиусе 60 см от верхней, нижней, задней или боковых стенок гриля.
- ⚠ При использовании весь аппарат барбекю нагревается. Не оставляйте без присмотра.
- ⚠ Не допускайте нахождения электрических проводов или шлангов для подачи топлива на нагреваемой поверхности.
- ⚠ В области готовки не должны присутствовать воспламеняемые пары или такие жидкости, как бензин, спирт и др. и горючие материалы.
- ⚠ Не перемещайте аппарат во время использования. Дайте прибору остыть, перед тем как перемещать его.
- ⚠ Этот прибор не предназначен для использования в качестве обогревателя.



## ПОДСОЕДИНЕНИЕ ОДНОРАЗОВОГО КАРТРИДЖА СЖИЖЕННОГО НЕФТЯНОГО ГАЗА

Используйте одноразовые картриджи сжиженного нефтяного газа с минимальной емкостью 430 г и максимальной емкостью 460 г. Картридж должен быть оснащен клапаном EN417, см. рисунок. Можно использовать картридж модели Primus 2202 или одноразовый картридж Weber Q Gas.

**⚠ ВНИМАНИЕ:** Используйте исключительно цилиндры с отметкой Пропан или Пропан-Бутан.

Вставьте одноразовый картридж сжиженного нефтяного газа в регулятор и поверните его по часовой стрелке до упора.

**⚠ ПРЕДОСТЕРЕЖЕНИЕ:** Зажимайте исключительно руками. Чрезмерная сила может повредить соединение регулятора и привести к утечке газа или блокировке газового потока.

ПРОИЗВЕДИТЕ КОНТРОЛЬ НА УТЕЧКУ ГАЗА:

### ⚠ ОПАСНО

Не используйте открытое пламя для проверки утечек газа. Во время проверки утечек убедитесь, что в месте проверки отсутствуют источники искрения или открытого пламени. Искры или открытое пламя вызовут пожар или взрыв, что может привести к серьезным телесным повреждениям или смерти, и/или материальному ущербу.

Необходимые инструменты: Одноразовый картридж сжиженного нефтяного газа, водно-мыльный раствор и тряпка или щетка для его нанесения.

- Смешайте мыло и воду.
- Активизируйте управление газовой выделением, поворачивая ручку против часовой стрелки.
- Проверьте утечки, увлажняя фитинг водно-мыльным раствором в ожидании появления пузырьков. В случае появления пузырьков и их увеличении, имеется утечка.

ПРОВЕРЬТЕ:

- Соединение регулятора с одноразовым картриджем сжиженного нефтяного газа.

**⚠ ПРЕДОСТЕРЕЖЕНИЕ:** Если в соединении (1) обнаружилась утечка, удалите одноразовый картридж сжиженного нефтяного газа. Не включайте гриль. Используйте другой одноразовый картридж сжиженного нефтяного газа и снова убедитесь в отсутствии утечек при помощи водно-мыльного раствора. Если утечка остается и после повторного закрепления картриджа сжиженного нефтяного газа, отключите газ. **НЕ ИСПОЛЬЗУЙТЕ ГРИЛЬ.** Обратитесь к местному представителю отдела обслуживания покупателей. Контактная информация находится на нашем Веб-сайте. Зайдите на сайт [www.weber.com](http://www.weber.com)®.

ПРОВЕРЬТЕ:

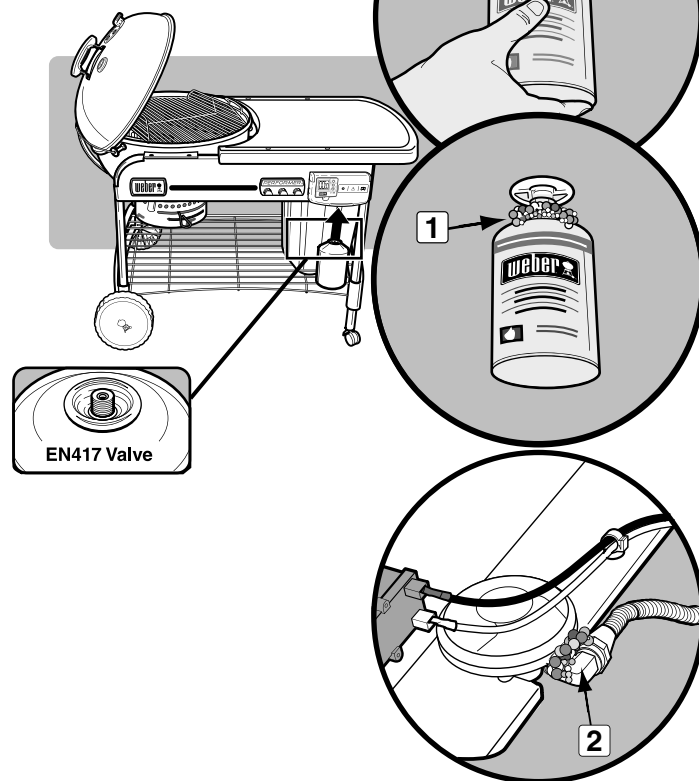
- Соединения клапана и регулятора.

**⚠ ПРЕДОСТЕРЕЖЕНИЕ:** Если есть утечка на соединении (2), отключите газ. **НЕ ИСПОЛЬЗУЙТЕ ГРИЛЬ.** Обратитесь к местному представителю отдела обслуживания покупателей. Контактная информация находится на нашем Веб-сайте. Зайдите на сайт [www.weber.com](http://www.weber.com)®.

По завершении проверок на утечку отключите блок подачи газа и сполосните соединения водой.

### ⚠ ОПАСНО

Запрещается хранить запасной картридж сжиженного нефтяного газа под или рядом с этим устройством.



## ЗАЖИГАНИЕ

**⚠ ОПАСНО**

Перед зажиганием откройте крышку. Не используйте горючие жидкости, такие как пусковое топливо, газолин, спирт или самовозгорающиеся угли, в том числе при ручном разжигании. Это может привести к тяжелым телесным повреждениям или смерти.

A) Удалите крышку гриля перед тем, как подать газ.

**⚠ ОПАСНО: Невыполнение этой инструкции может привести к накоплению газа, что станет причиной пожара или взрыва и приведет к тяжелым телесным повреждениям или смерти, а также материальному ущербу.**

B) Откройте демпферы нижней чаши (1).

C) Расположите Char-Baskets™ над горелкой (2).

D) Нажмите на выступы на крышке блока управления газом (3) и приподнимите ее, чтобы открыть.

E) Подайте газ (против часовой стрелки) полным поворотом ручки (4).

**⚠ ПРЕДОСТЕРЕЖЕНИЕ: При зажигании не прислоняйтесь к открытому барбекю.**

F) Нажмите и удерживайте нажатой кнопку зажигателя пока не загорится огонь (5).

**⚠ ВНИМАНИЕ: В ясный день может быть трудно смотреть на огонь.**

G) После зажигания древесного угля (прибл. через 5 минут), поверните ручку управления газом в положение OFF (по часовой стрелке).

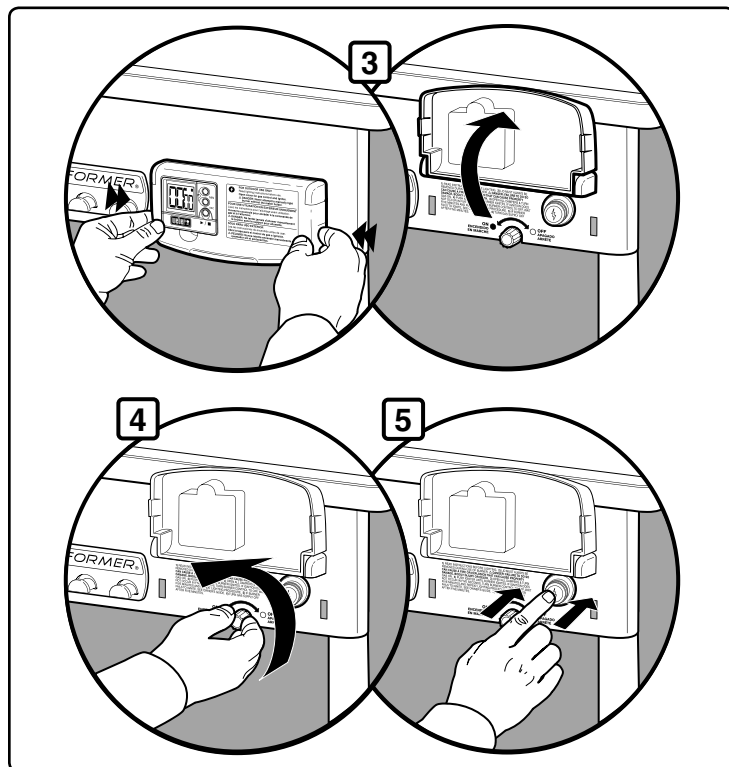
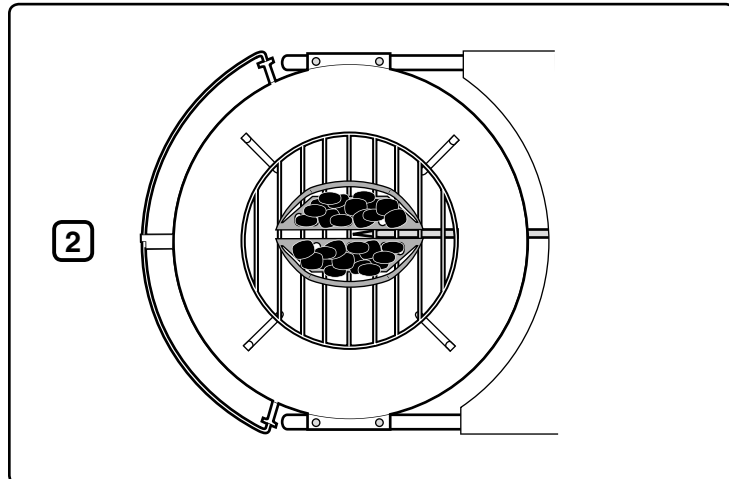
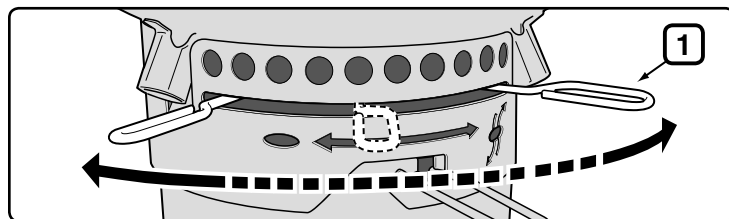
**⚠ ВНИМАНИЕ: Убедитесь в том, что крышка плотно закрыта.**

Примечание – Продленное время работы бака сокращает срок его службы.

H) Можно начинать готовку, когда брикеты покрылись легким слоем серой золы (прибл. 25–30 минут).

## ГАШЕНИЕ

Для выключения поверните ручку управления газом в положение OFF (по часовой стрелке).



## РУЧНОЕ ЗАЖИГАНИЕ

⚠ **ПРЕДОСТЕРЕЖЕНИЕ:** Не пытайтесь зажечь прибор ручным способом, не используя специальный держатель.

⚠ **ОПАСНО**

Перед зажиганием откройте крышку. Не используйте горючие жидкости, такие как пусковое топливо, бензин, спирт или самовозгорающиеся угли, в том числе при ручном разжигании. Это может привести к тяжелым телесным повреждениям или смерти.

A) Удалите крышку гриля перед тем, как подать газ.

⚠ **ОПАСНО:** Невыполнение этой инструкции может привести к накоплению газа, что станет причиной пожара или взрыва и приведет к тяжелым телесным повреждениям или смерти, а также материальному ущербу.

B) Откройте демпферы нижней чаши (1).

C) Снимите Char-Baskets™ с горелки (2).

D) Нажмите на выступы на крышке блока управления газом (3) и приподнимите ее, чтобы открыть.

E) Положите спичку в держатель (4). Зажгите спичку.

F) Подайте газ (против часовой стрелки) полным поворотом ручки (5).

G) Поднесите пламя спички сзади канала горелки (6).

⚠ **ПРЕДОСТЕРЕЖЕНИЕ:** При ручном зажигании нельзя держать руки прямо над горелкой.

⚠ **ПРЕДОСТЕРЕЖЕНИЕ:** При зажигании не прислоняйтесь к открытому барбекю.

⚠ **ВНИМАНИЕ:** В ясный день может быть трудно смотреть на огонь.

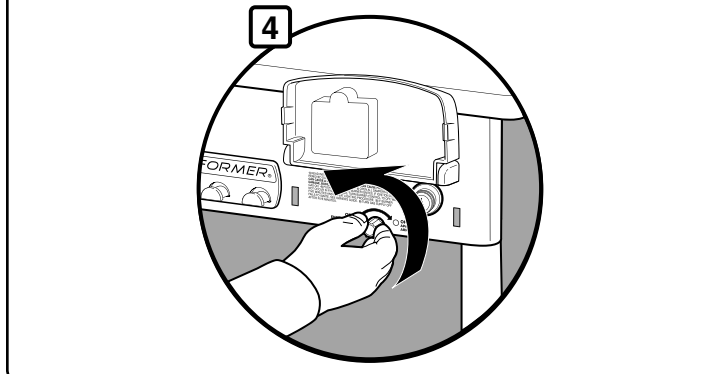
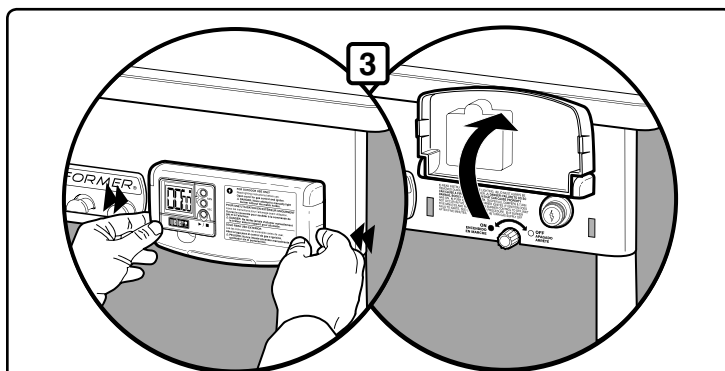
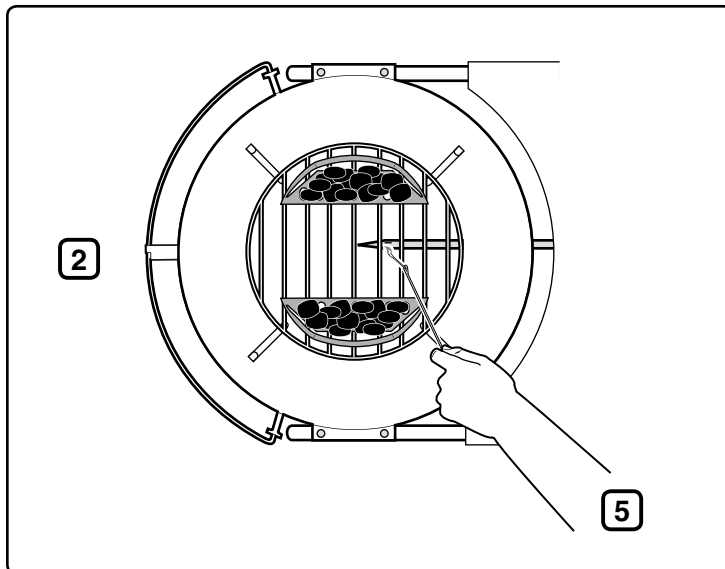
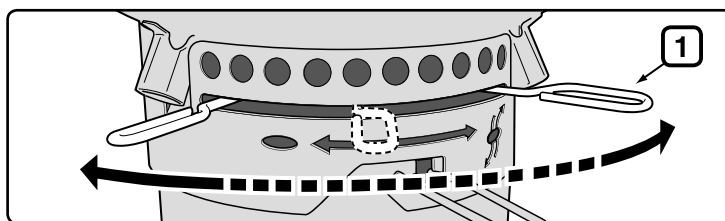
H) Надевайте рукавицы для барбекю и используйте щипцы для повторной установки Char-Baskets™ над горелкой.

I) После того как уголь разгорелся (приблизительно 5 минут), выключите блок подачи газа (по часовой стрелке) до упора.

J) Можно начинать готовку, когда брикеты покрылись легким слоем серой золы (прибл. 25–30 минут).

## ГАШЕНИЕ

Для выключения поверните ручку управления газом в положение OFF (по часовой стрелке).



## ТАЙМЕР

Водонепроницаемый цифровой таймер обладает функциями прямого и обратного отсчета в минутах и секундах.

### Для настройки обратного отсчета:

- Нажмите на кнопку **MIN** (1) для настройки измерения в минутах. Удерживайте нажатой кнопку для ускоренной перемотки цифр вперед (максимум: 99 минут (4)).
- Нажмите на кнопку **SEC** (2) для настройки измерения в секундах. Удерживайте нажатой кнопку для ускоренной перемотки цифр вперед (максимум: 59 секунд (5)).
- Нажмите на кнопку **Start / Stop**: ► / ■ (3).
- При достижении требуемого времени раздается сигнал в течение 30 секунд, и автоматически снова начинается обратный отсчет от предыдущей/предыдущей временной настройки.

### Настройка прямого счета:

- Нажмите на кнопку **Start / Stop**: ► / ■ . В режиме прямого счета на дисплее выводятся значения в формате минуты/секунды.
- Для выключения таймера нажмите еще раз на кнопку. (максимум: 99 минут (4), 59 секунд (5)).

### Для удаления времени:

- Нажмите на обе кнопки **MIN** и **SEC**: ↻ одновременно (1)(2).

Примечание: В случае использования в среде, в которой таймер подвергается электростатическому разряду, могут быть утеряны некоторые установки времени работы блока. В таком случае, перезагрузите блок и повторно введите установки времени работы.

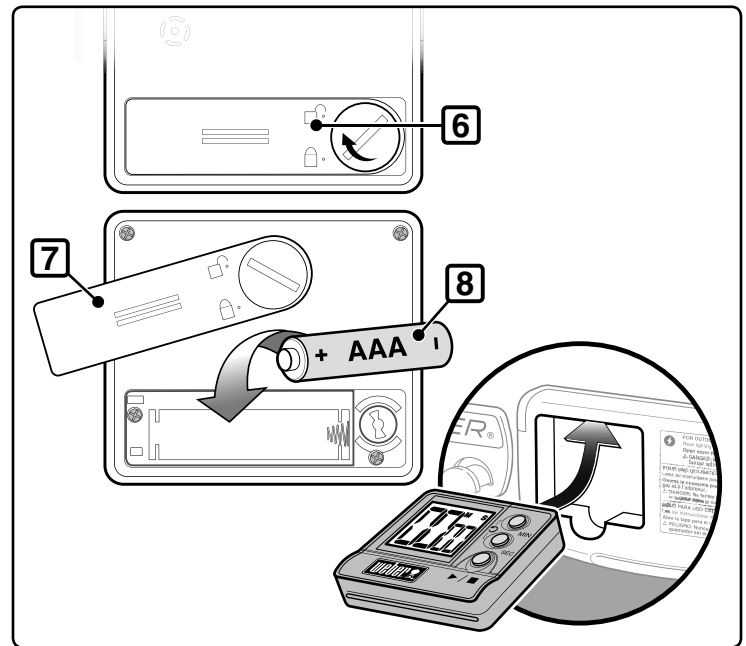
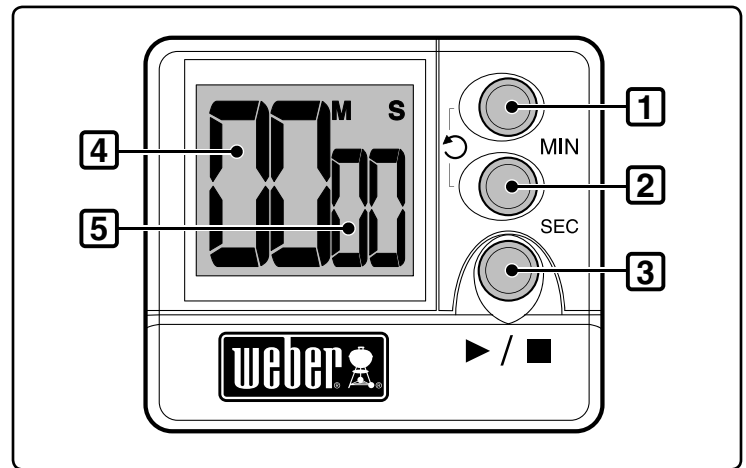
### Установка батареи:

- Снимите крышку батарейного отсека на обратной стороне таймера, (6) поворачивая замок по часовой стрелке.
- Снимите крышку батарейного отсека с обратной стороны таймера (7).
- Замените батарею AAA (8).
- Установите на место крышку батарейного отсека.
- Закрепите ее, поворачивая замок против часовой стрелки.
- После установки батареи на ЖК дисплее будет выводиться строка (0000).

### Уход:

- Нельзя чистить блок абразивными или агрессивными составами, которые могут поцарапать части блока и разъесть электронные схемы.
- Не подвергайте блок чрезмерным нагрузкам, ударам, попаданию пыли, чрезмерной температуре и влажности, что может привести к неисправности блока, сокращению срока службы, повреждению батареи и деформированию деталей.
- Не дотрагивайтесь до внутренних компонентов блока. Это может привести к отмене гарантии на блок и привести к нежелательным повреждениям батареи и внутренних компонентов.
- Не подвергайте блок попаданию прямых солнечных лучей или ливня.
- Не погружайте блок в воду.

**Для обеспечения максимальных эксплуатационных характеристик цифрового таймера рекомендуем хранить таймер в помещении тогда, когда он не используется.**



ПРОБЛЕМА	ПРОВЕРКА	РЕШЕНИЕ
Горелка горит желтым или оранжевым пламенем и чувствуется запах газа.	Проверьте горелку на возможные засорения.	Очистите горелку. (см. раздел "Техническое обслуживание")
Горелка не загорается или слабый огонь.	Мало жидкого нефтяного топлива или нет его?	Замените цилиндр жидкости.
	Изогнут или перекручен топливный шланг?	Выпрямите топливный шланг.
	Горелка зажигается спичкой?	Если горелка может зажигаться спичкой, проверьте систему зажигания.
	Соединение шланга и трубки горелки произведено должным образом?	Подсоедините газовый шланг к трубке горелки, используя предоставленный металлический зажим. <b>⚠ ОПАСНО: Не используйте функцию зажигания газа при отсутствии зажима. Отсутствие зажима может стать причиной тяжелых телесных повреждений или смерти, а также материального ущерба.</b> Свяжитесь со службой обслуживания клиентов для замены зажима.
Форма факела горелки неравномерная.	Горелка чистая?	Очистите горелку. (см. раздел "Техническое обслуживание")
Горелка не зажигается при нажатии на кнопку зажигателя.	Убедитесь в поступлении потока газа на горелки, зажигая их спичками. См. "РУЧНОЕ ЗАЖИГАНИЕ."	Если зажигание спичками оказалось успешным, то проблема заключается в системе зажигания. См. "РАБОТА СИСТЕМЫ ЭЛЕКТРОННОГО ЗАЖИГАНИЯ."
	Установлена новая батарея?	Проверьте, что батарея в хорошем состоянии и правильно установлена. См. "ПРОВЕРКА ЭЛЕКТРОННОГО ВОСПЛАМЕНИТЕЛЯ."
	Весь кабель подсоединен к блоку зажигания правильно?	Проверьте, чтобы провода были правильно вставлены в клеммы на коробке зажигания. См. "РАБОТА СИСТЕМЫ ЭЛЕКТРОННОГО ЗАЖИГАНИЯ."
	Есть ли пластиковая оболочка на новой батарее?	Удалите пластиковую оболочку.
Таймер не работает.	Установлена новая батарея?	Проверьте, чтобы батарея была в хорошем состоянии и была правильно установлена. См. "ТАЙМЕР."
Внутренняя часть крышки становится "облезлой". (напоминает шелушение окрасочного слоя).	То, что вы видите, это запеченный жир, который превратился в уголь и отслаивается. <b>ЭТО НЕ ДЕФЕКТ.</b>	Хорошо очистите. (см. раздел "Очистка")

Если проблему нельзя решить этими способами, обращайтесь к местному представителю службы по работе с покупателями. Контактная информация находится на нашем Веб-сайте. Зайдите на сайт [www.weber.com](http://www.weber.com)®.

## ТЕХНИЧЕСКОЕ ОБСЛУЖИВАНИЕ

В случае неиспользования аппарата в течение некоторого времени, рекомендуем производить следующие операции по техобслуживанию для гарантии вашей безопасности.

- Каждый раз перед использованием проверяйте шланг барбекю на трещины, растрескивания, истирания или порезы. Если шланг оказывается непригодным для использования, не пользуйтесь барбекю. Произведите замену, используя исключительно авторизованные запасные детали Weber®. Обратитесь к местному представителю отдела обслуживания покупателей. Контактная информация находится на нашем Веб-сайте. Зайдите на сайт [www.weber.com](http://www.weber.com)®.

**⚠ ВНИМАНИЕ: Если газовый шланг барбекю поврежден или протекает, не пользуйтесь барбекю.**

- Проверьте правильность формы факела (см. раздел "Форма факела горелки"). Очистите прибор, если необходимо, в соответствии с процедурами, указанными в данном разделе.
- Проверьте всю газовую аппаратуру на утечки (см. раздел "Проверка на утечки газа").

## ПЕРИОДИЧЕСКАЯ ОЧИСТКА

Чтобы удалить золу из чаши, поверните приводной вал (1) поперек, чтобы лопатки воздушного клапана выметали золу через воздушные клапаны чаши в золоуловитель.

**⚠ ВНИМАНИЕ: Перед производением очистки убедитесь в том, что горелка выключена и прибор барбекю остыл.**

Не расширяйте каналы горелки при очистке.

### Очистка горелки:

- Очистите внешнюю часть трубы горелки (2) и участок канала горелки (3) железной щеткой.

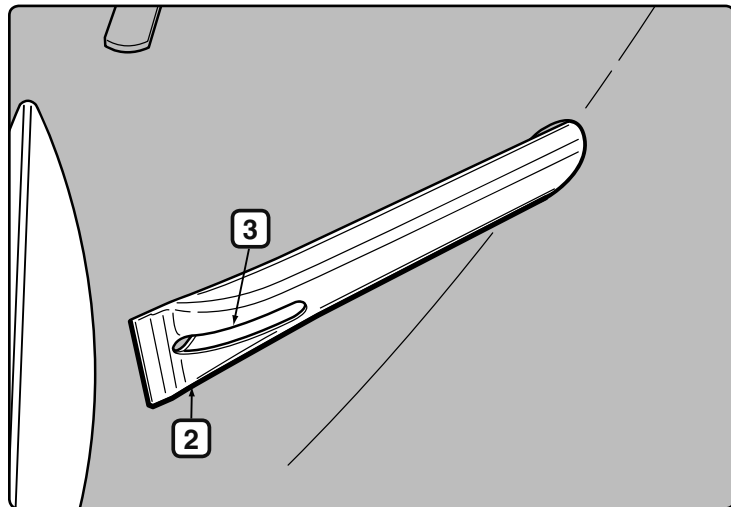
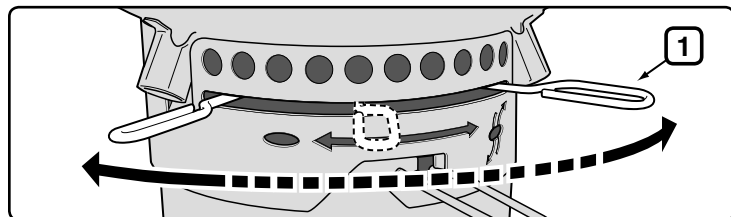
**⚠ ВНИМАНИЕ: При очистке не расширяйте каналы горелки или газовые отверстия.**

### Очистка котла:

- Когда крышка теплая, протрите внутри бумажным полотенцем во избежание образования жировых пятен.
- Для внешних поверхностей используйте теплый водно-мыльный раствор, хорошо смывайте его чистой водой.

**Капитальная очистка** (должна производиться не менее раза в год):

- Удалите золу после полного погашения углей.
- Удалите решетки и Char-Baskets™.
- Протрите бумажным полотенцем. Промойте барбекю водой и мягким моющим средством. Тщательно сполосните чистой водой и вытрите насухо.



## ХРАНЕНИЕ

- При сохранении гриля в помещении необходимо отключить подачу газа и расположить бак жидкого нефтяного топлива снаружи в хорошо проветриваемой зоне.
- Баки жидкого нефтяного топлива должны храниться на улице в хорошо проветриваемом и недоступном для детей месте, они не должны находиться в помещении, гараже или другом закрытом участке.
- После некоторого периода сохранения и/или неиспользования проверьте барбекю на утечки газа и загрязнение трубы горелки до использования (см. раздел "Техническое обслуживание").
- Перед использованием, проверьте, чтобы зоны вокруг бака, шланга и узла горелки не содержали осколков, которые могут препятствовать потоку газа или воздуха.



### ВНИМАНИЕ НАСЕКОМЫЕ

Ваш гриль Performer, как и любое газовое оборудование для наружного применения, является мишенью для пауков и насекомых. Они могут гнездиться в отделе сопла Вентури (1) трубки горелки, что может привести к обратному потоку газа из воздушной заслонки.

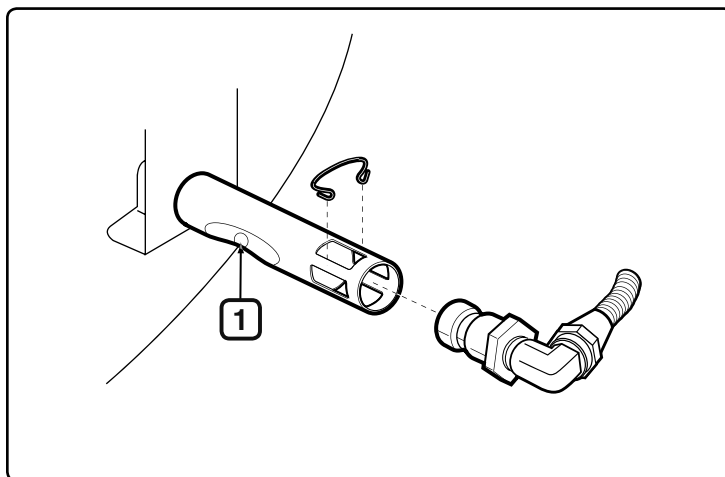
Это может привести к возгоранию внутри и вокруг трубки горелки под панелью чаши. Это нанесет серьезный ущерб вашему барбекю с потерей характеристик безопасности работы.

Настоятельно рекомендуем проверять и чистить трубку горелки не менее раза в год или при обнаружении следующих признаков:

- A) Запах газа и вместе с тем бледно-желтый и медленный огонь горелки.
- B) Горелка производит шум хлопков.

#### ⚠ ОПАСНО

**В случае игнорирования этих признаков может произойти возгорание, которое приведет к серьезным телесным повреждениям или смерти, а также материальному ущербу.**

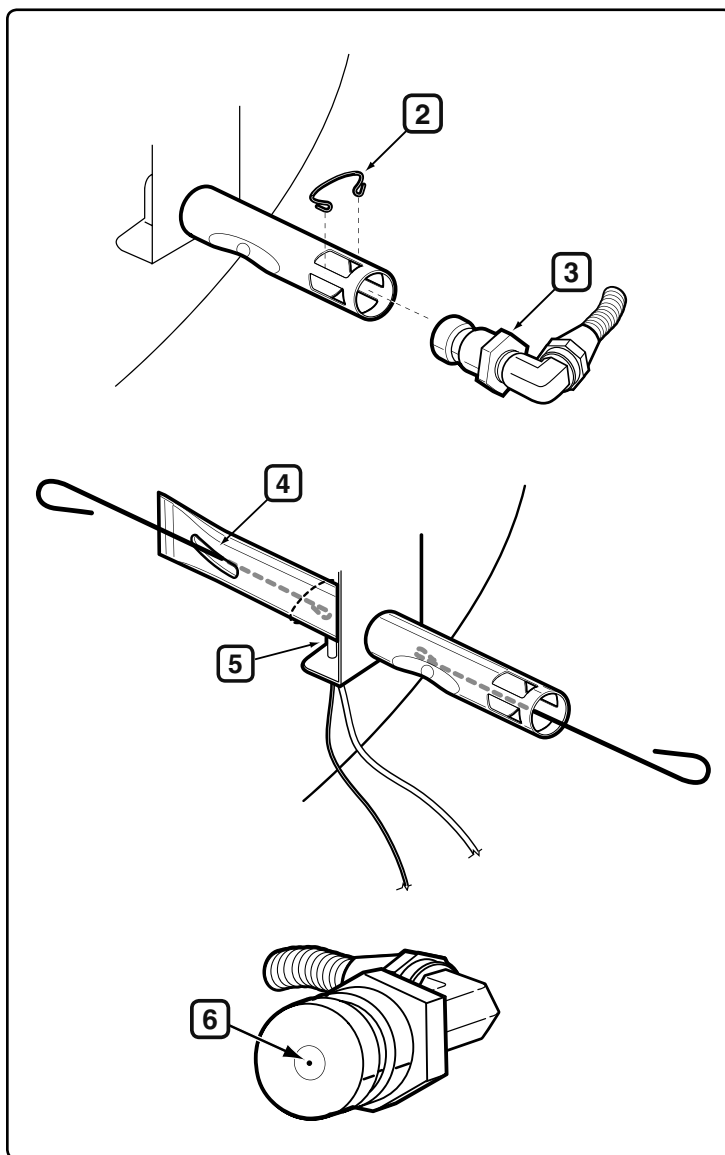


### КОНТРОЛЬ И ОЧИСТКА ГОРЕЛКИ

- A) Отключите газ.
- B) Удалите контейнер для хранения CharBin™.
- C) Снимите скобу канала (2) и шланговую арматуру (3) с трубки горелки.
- D) Загляните вовнутрь горелки при помощи фонарика.
- E) Очистите внутреннюю часть горелки специальным проводным держателем (предоставляется).  
Используйте провод для очистки воздушного клапана, сопла Вентури и каналов горелки (4) внутри чаши. Будьте осторожны при вводе чистящего инструмента горелки, чтобы не повредить электрод зажигания (5).
- F) Проверьте еще раз на наличие каких-либо засорений.
- G) Если необходимо, можно очистить поверхность шланговой арматуры железной щеткой. Канал (6) можно очищать небольшой шпилькой.

**⚠ ВНИМАНИЕ: Не расширяйте каналы при очистке.**

- H) Соберите снова, реверсируя этапы В и С.

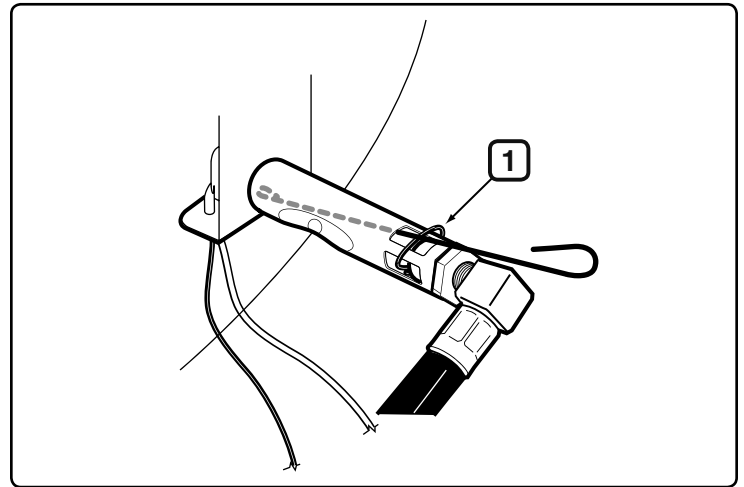


### ПЕРИОДИЧЕСКАЯ БЫСТРАЯ ОЧИСТКА

Рекомендуем периодически чистить внешнюю сторону каналов горелки железной щеткой и чистить трубку горелки специально предоставленным инструментом через вентиляционное отверстие.

Это можно сделать, располагая отверстие воздуха горения (1) под опорой чаши и применяя этот инструмент на каждой стороне отверстия воздуха горения, вращая инструмент. Будьте внимательны, чтобы не повредить поджигающий электрод деревянной частью спички.

**⚠ ВНИМАНИЕ: Важно увеличить частоту этих операций очистки весной и летом.**



### ПРОВЕРКА СИСТЕМЫ ЭЛЕКТРОННОГО ЗАЖИГАНИЯ

Если система электронного зажигания не срабатывает, проверьте подачу газа к горелкам, попробовав зажечь горелки спичками. См. "РУЧНОЕ ЗАЖИГАНИЕ". Если зажигание спичками оказалось успешным, то проблема заключается в электронном зажигании.

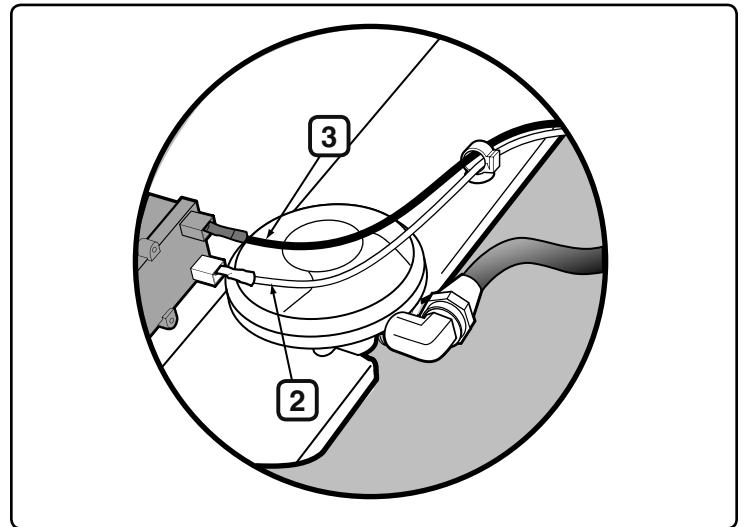
**⚠ ВНИМАНИЕ: Ручки управления газом и кран подачи газа должны быть в положении OFF.**

- Проверьте, чтобы батарея AAA (только щелочная) находилась была в хорошем состоянии и была правильно установлена (1). Некоторые батареи имеют пластиковую защитную оболочку. Ее необходимо удалить. Не спутайте оболочку с наклейкой-ярлыком батареи.
- Проверьте, чтобы белый (2) и черный (3) провода заземления были подсоединены должным образом.
- Проверьте, чтобы работала кнопка электронного зажигания, прислушиваясь и наблюдая искры в горелке.
- Проверьте, чтобы зажигательное устройство не было расшатано в раме. Зажмите при необходимости; См. раздел "Установка" для правильного выполнения процедуры.

#### Замените Батарею При Необходимости

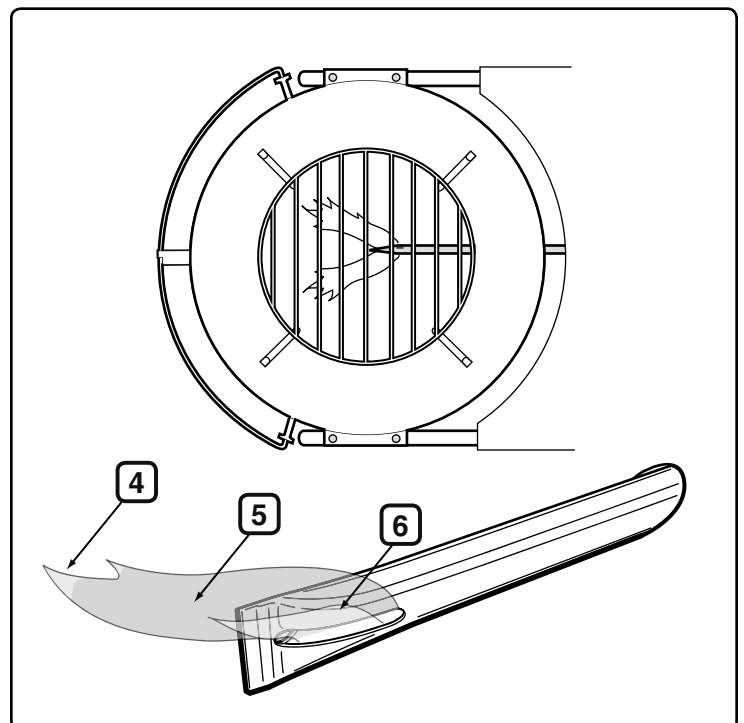
Только щелочная батарея AAA.

Если система электронного зажигания все же не работает, обращайтесь к местному представителю отдела обслуживания покупателей. Контактная информация находится на нашем Веб-сайте. Зарегистрируйтесь на сайте [www.weber.com](http://www.weber.com).



### ФОРМА ФАКЕЛА ГОРЕЛКИ

Правильный поток воздуха и газовая смесь горелки настраиваются на заводе. Правильная форма факела имеет желтоватый оттенок на концах (4), темно-синий посередине (5) и светло-синий на трубке горелки (6). Если огонь не соответствует указанным характеристикам или при появлении шума "хлопков", произведите очистку горелки.



**⚠ ВНИМАНИЕ:** Этот продукт успешно прошел испытания и сертифицирован только для использования в конкретной стране. Страна указана на наружной стороне коробки.

Этими деталями могут быть компоненты, выполняющие перемещение газа или горение. Относительно оригинальной сменной детали (деталей) компании Weber-Stephen Products LLC, обратитесь в отдел обслуживания покупателей Weber-Stephen Products LLC.

**⚠ ПРЕДУПРЕЖДЕНИЕ:** Не пытайтесь ремонтировать компоненты, выполняющие перемещение газа или горение, не обратившись в отдел обслуживания покупателей Weber-Stephen Products LLC, Несоблюдение этого предупреждения может вызвать пожар или взрыв, что приведет к серьезным телесным повреждениям или смерти, а также к материальному ущербу.

Этот символ указывает на то, что продукт нельзя выбрасывать как бытовой мусор. Инструкции по надлежащей утилизации этого продукта в Европе находятся на Веб-сайте [www.weber.com](http://www.weber.com)<sup>®</sup>; также можно обратиться к импортеру, указанному для Вашей страны. Если у Вас нет доступа в Интернет, обратитесь к своему дилеру, чтобы узнать имя, адрес и телефонный номер импортера.

Когда Вы решите утилизировать или выбросить гриль, все электрические компоненты (например, двигатель гриля, батареи, модуль воспламенителя, подсветка) должны быть сняты и утилизированы надлежащим образом в соответствии с требованиями WEEE. Их следует утилизировать отдельно от гриля.

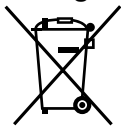


WEBER-STEPHEN PRODUCTS LLC  
[www.weber.com](http://www.weber.com)<sup>®</sup>

**⚠ ATTENTION: This product has been safety-tested and is only certified for use in a specific country. Refer to country designation located on outside of box.**

These parts may be gas-carrying or gas-burning components. Please contact Weber-Stephen Products LLC Customer Service Department for genuine Weber-Stephen Products LLC replacement part(s) information.

**⚠ WARNING: Do not attempt to make any repair to gas-carrying or gas-burning components without contacting Weber-Stephen Products LLC Customer Service Department. Your actions, if you fail to follow this product warning, may cause a fire or an explosion resulting in serious personal injury or death and damage to property.**



This symbol indicates that the product cannot be disposed of with household refuse. For instructions regarding proper disposal of this product in Europe, please visit [www.weber.com](http://www.weber.com)<sup>®</sup>, and contact the importer listed for your country. If you do not have internet access, contact your dealer for the importer's name, address and telephone number.

When you decide to dispose of or discard your barbecue, all electrical components (e.g., rotisserie motor, batteries, ignition module, handle lights) must be removed and disposed of properly according to WEEE. They should be disposed of separately from the barbecue.

**WEBER-STEPHEN ÖSTERREICH GMBH**

Maria-Theresia-Straße 51  
4600 Wels  
AUSTRIA  
TEL: +43 7242 890 135 0; info-at@weberstephen.com

**WEBER-STEPHEN PRODUCTS BELGIUM Sprl**

Blarenberglaan 6 Bus 4  
Industriezone Noord  
BE-2800 Mechelen  
BELGIUM  
TEL: +32 015 28 30 90; infobelux@weberstephen.com

**WEBER-STEPHEN CZ & SK spol. s r. o.**

U Hajovny 246  
25243 Průhonice  
CZECH REPUBLIC  
TEL: +42 267 312 973; info-cz@weberstephen.com

**WEBER-STEPHEN NORDIC ApS**

Bøgildsmindevej 23, DK-9400 Nørresundby  
DANMARK  
TEL: +45 99 36 30 10; info@weberstephen.dk

**WEBER-STEPHEN NORDIC MIDDLE EAST**

Ras Al Khaimah FTZ  
P.O. Box 10559  
UNITED ARAB EMIRATES  
TEL: +971 4 360 9256; info@weberstephen.ae

**WEBER-STEPHEN FRANCE SAS**

Eragny sur Oise – BP 80322  
95617 Cergy Pontoise Cedex  
FRANCE  
TEL: +33 810 19 32 37  
service.consommateurs@weberstephen.com

**WEBER-STEPHEN DEUTSCHLAND GmbH**

Rheinstraße 194  
55218 Ingelheim  
DEUTSCHLAND  
TEL: +49 6132 8999 0; info-de@weberstephen.com

**WEBER-STEPHEN NETHERLANDS B.V.**

Tsjükemarwei 12  
8521 NA Sint Nicolaasga  
Postbus 18  
8520 AA Sint Nicolaasga  
NETHERLANDS  
TEL: +31 513 4333 22; info@weberbarbecues.nl

**JARN & GLER WHOLESAL EHF**

Skutuvogur 1H  
1-104 Reykjavik  
ICELAND  
TEL: +354 58 58 900

**D&S IMPORTS**

14 Shenkar Street  
Petach, Tikva 49001  
ISRAEL  
TEL: +972 392 41119; info@weber.co.il

**WEBER-STEPHEN PRODUCTS ITALIA Srl**

Centro Polifunzionale "Il Pioppo"  
Viale della Repubblica 46  
36030 Povolario di Dueville – Vicenza  
ITALY  
TEL: +39 0444 360 590; info-italia@weberstephen.com

**WEBER-STEPHEN POLSKA Sp. z o.o.**

Ul. Trakt Lubelski 153  
04-766 Warszawa  
POLSKA  
TEL: +48 22 392 04 69; info-pl@weberstephen.com

**GALACTEX OUTDOOR (PTY) LTD.**

141-142 Hertz Draai  
Meadowdale, Edenvale  
Gauteng  
SOUTH AFRICA  
TEL: +27 11 454 2369; info@weber.co.za

**WEBER-STEPHEN IBERICA Srl**

Avda. de les Corts Catalanes 9-11 -  
Despacho 10 B  
E-08173 Sant Cugat del Vallès  
Barcelona  
SPAIN  
TEL: +34 93 584 40 55; infoiberica@weberstephen.com

**WEBER-STEPHEN SCHWEIZ GMBH**

Talackerstr. 89a  
8404 Winterthur  
SWITZERLAND  
TEL: +41 52 24402 50; info-ch@weberstephen.com

**WEBER-STEPHEN PRODUCTS (U.K.) LIMITED**

The Four Columns,  
Broughton Hall Business Park  
Skipton, North Yorkshire BD23 3AE  
UNITED KINGDOM  
TEL: +44 01756 692611;  
customerservicenwe@weberstephen.com

**WEBER-STEPHEN PRODUCTS LLC**

200 East Daniels Road  
Palatine, IL 60067-6266  
USA  
TEL: 847 934 5700; support@weberstephen.com

**OOO WEBER-STEPHEN Vostok**

142784 Moscow Region,  
Leninsky District  
Rumyantsevo Village  
Building 1  
RUSSIA  
TEL: +7 495 973 16 49; info.ru@weberstephen.com

**WEBER-STEPHEN MAGYARORSZÁG KFT.**

1138 Budapest, Váci út 186.  
HUNGARY  
TEL: +36 70 / 70-89-813; info-hu@weberstephen.com

For Republic of Ireland, please contact:  
Weber-Stephen Products (U.K.) Limited.

For other eastern European countries,  
such as ROMANIA, SLOVENIA, CROATIA,  
TURKEY, or GREECE, please contact:  
Weber-Stephen Deutschland GmbH,  
info-EE@weberstephen.com.

For Baltic States, please contact:  
Weber-Stephen Nordic ApS.



WEBER-STEPHEN PRODUCTS LLC

[www.weber.com](http://www.weber.com)<sup>®</sup>