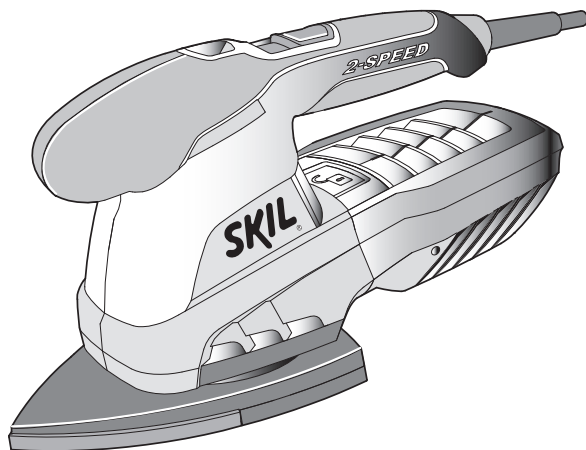


# SKIL

## MULTI SANDER 7220 (F0157220..)

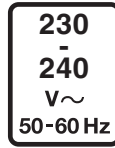
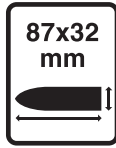
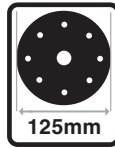
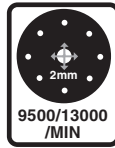
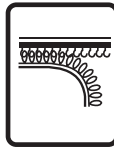
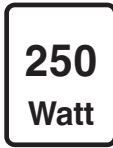


<b>GB</b>	ORIGINAL INSTRUCTIONS	6	<b>UA</b>	ОРИГІНАЛЬНА ІНСТРУКЦІЯ З ЕКСПЛУАТАЦІЇ	60
<b>F</b>	NOTICE ORIGINALE	9	<b>GR</b>	ΠΡΟΤΥΠΟ ΟΔΗΓΙΩΝ ΧΡΗΣΗΣ	64
<b>D</b>	ORIGINALBETRIEBSANLEITUNG	12	<b>RO</b>	INSTRUCȚIUNI DE FOLOSIRE ORIGINALE	67
<b>NL</b>	ORIGINELE GEBRUIKSAANWIJZING	16	<b>BG</b>	ОРИГИНАЛНО РЪКОВОДСТВО ЗА ЕКСПЛОАТАЦИЯ	71
<b>S</b>	BRUKSANVISNING I ORIGINAL	19	<b>SK</b>	PŮVODNÝ NÁVOD NA POUŽITIE	75
<b>DK</b>	ORIGINAL BRUGSANVISNING	22	<b>HR</b>	ORIGINALNE UPUTE ZA RAD	78
<b>N</b>	ORIGINAL BRUKSANVISNING	26	<b>SRB</b>	ORIGINALNO UPUTSTVO ZA RAD	81
<b>FIN</b>	ALKUPERÄISET OHJEET	29	<b>SLO</b>	IZVIRNA NAVODILA	85
<b>E</b>	MANUAL ORIGINAL	32	<b>EST</b>	ALGUPÄRANE KASUTUSJUHEND	88
<b>P</b>	MANUAL ORIGINAL	35	<b>LV</b>	ORIĢINĀLĀ LIETOŠANAS PAMĀCĪBA	91
<b>I</b>	ISTRUZIONI ORIGINALI	39	<b>LT</b>	ORIGINALI INSTRUKCIJA	94
<b>H</b>	EREDETI HASZNÁLATI UTASÍTÁS	42	<b>MK</b>	ИЗБОРНО УПАТСТВО ЗА РАБОТА	98
<b>CZ</b>	PŮVODNÍM NÁVODEM K POUŽÍVÁNÍ	46	<b>AL</b>	UDHËZIMET ORIGJINALE	102
<b>TR</b>	ORİJİNAL İŞLETME TALİMATI	49	<b>AR</b>	دليل الاستعمال	111
<b>PL</b>	INSTRUKCJA ORYGINALNA	52	<b>FA</b>	راهنمای اصلی	109
<b>RU</b>	ПОДЛИННИК РУКОВОДСТВА ПО ЭКСПЛУАТАЦИИ	56			

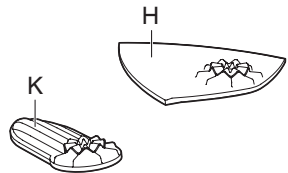
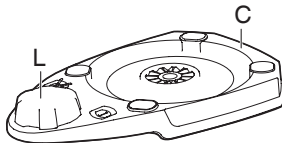
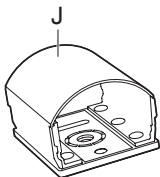
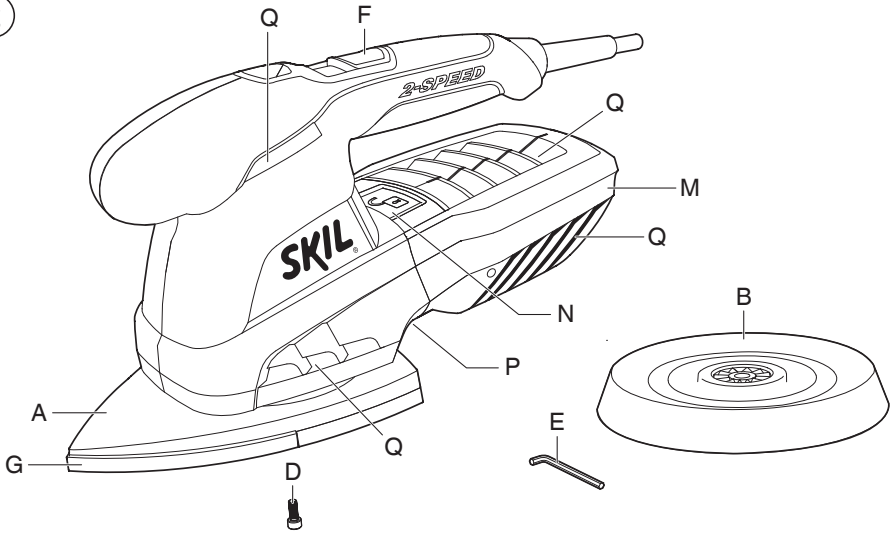


1

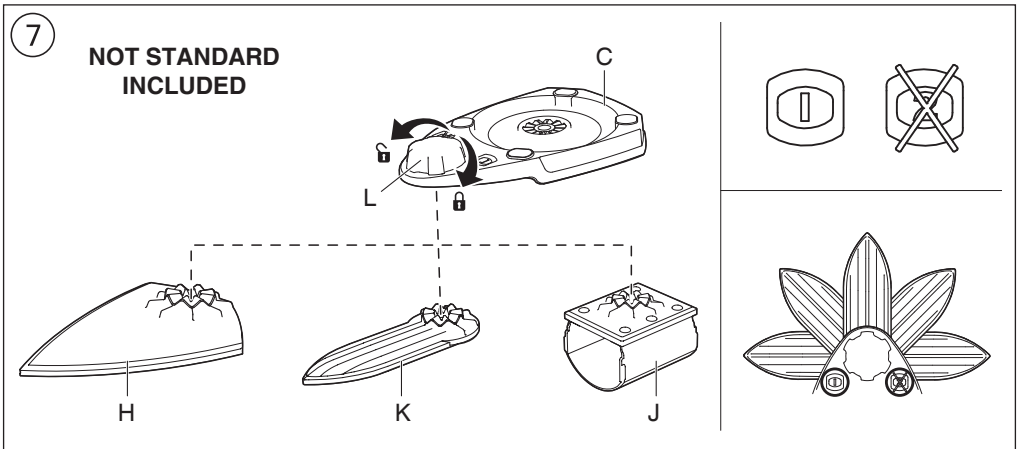
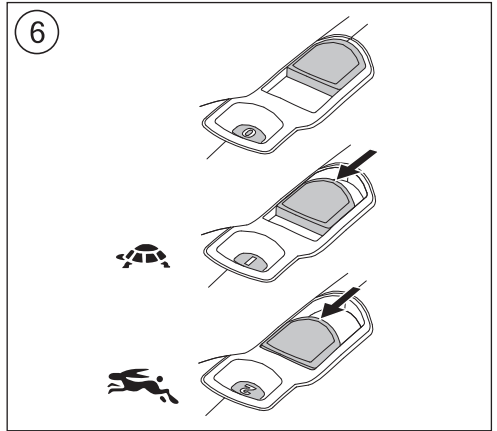
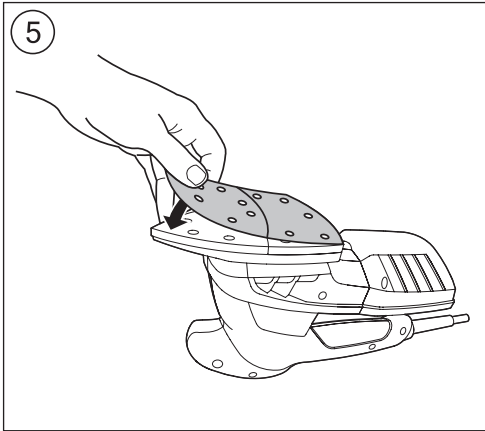
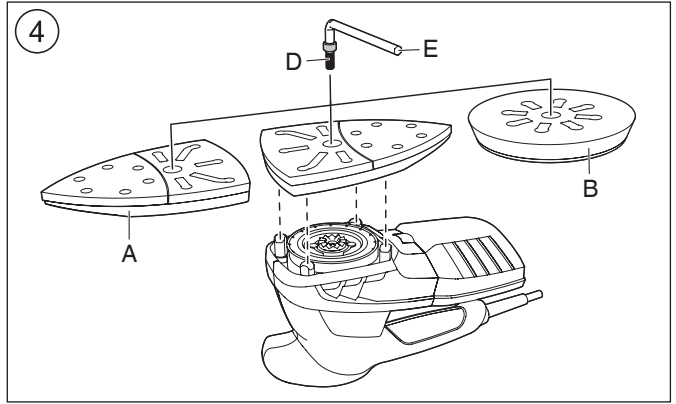
7220

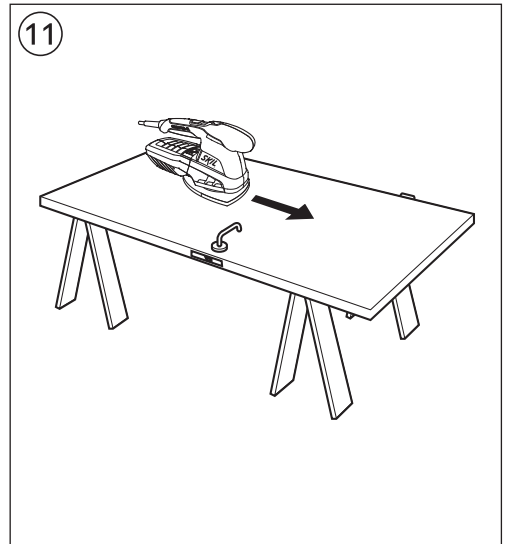
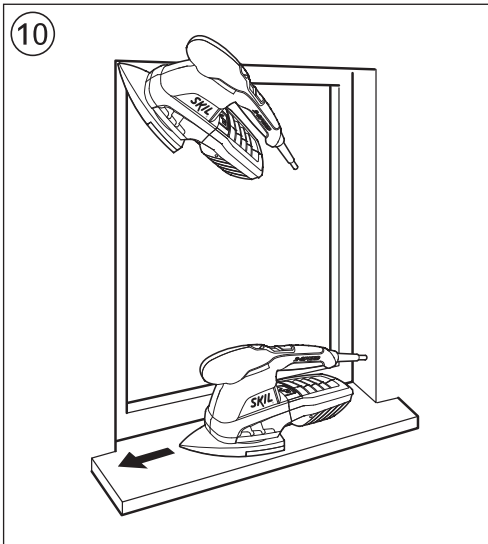
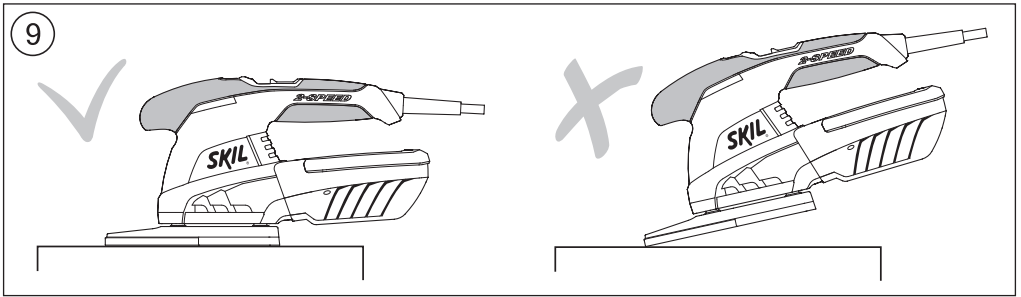
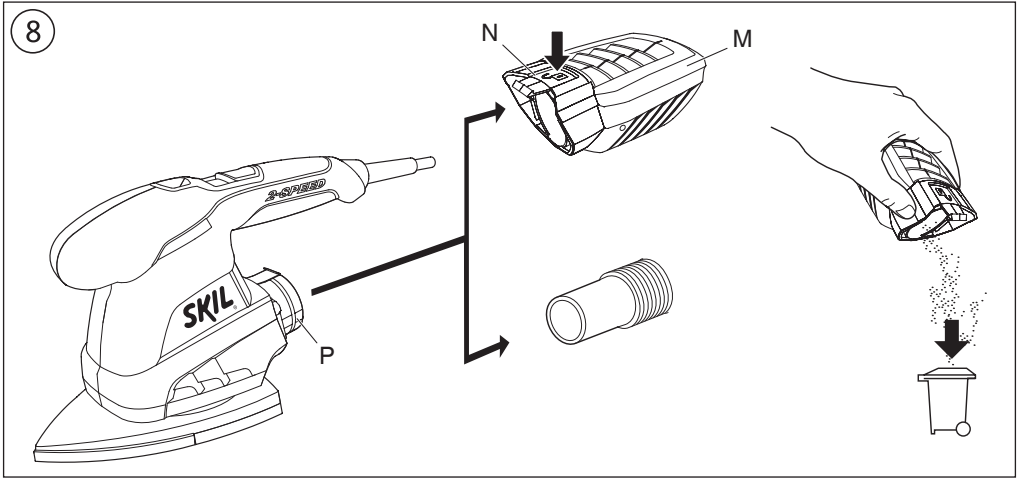


2

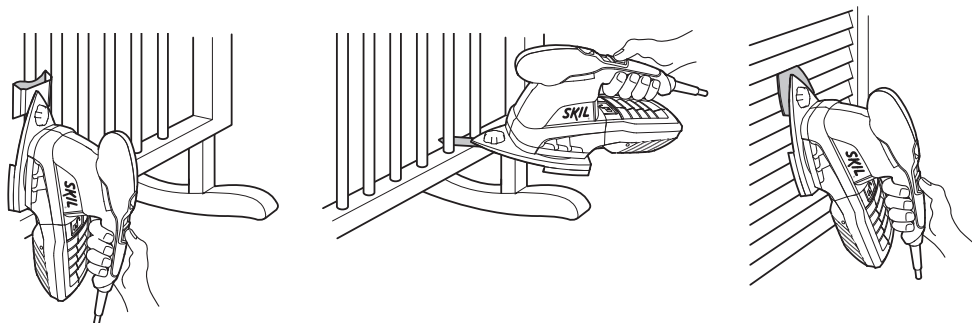


NOT STANDARD  
INCLUDED

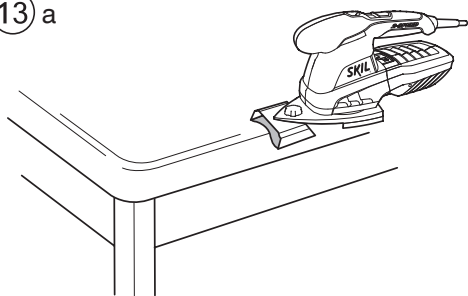




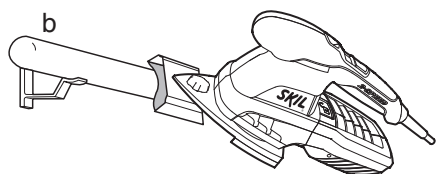
12



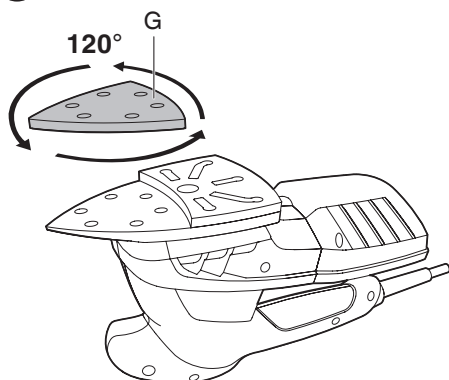
13 a



b



14



15



ACCESSORIES



WWW.SKIL.COM

## Multi sander

7220

### INTRODUCTION

- This tool is intended for dry sanding and finishing of wood, painted surfaces, plastic and filler
- This tool is not intended for professional use
- Read and save this instruction manual ③

### TECHNICAL SPECIFICATIONS ①

#### TOOL ELEMENTS ②

- A Backing pad for multi sanding
- B Backing pad for random orbit sanding
- C Base plate for sanding attachments\*
- D Pad screw
- E Hex key
- F Two-speed switch
- G Delta tip
- H Louvre attachment\*
- J Flexible sanding attachment\*
- K Finger attachment\*
- L Knob for mounting sanding attachments\*
- M Dust box
- N Knob for removing dustbox
- P Extension for vacuum cleaner
- Q Ventilation slots

\* NOT STANDARD INCLUDED

### SAFETY

#### GENERAL SAFETY INSTRUCTIONS

**⚠ WARNING! Read all safety warnings and all instructions.** Failure to follow the warnings and instructions may result in electric shock, fire and/or serious injury. **Save all warnings and instructions for future reference.** The term "power tool" in the warnings refers to your mains-operated (corded) power tool or battery-operated (cordless) power tool.

#### 1) WORK AREA SAFETY

- a) **Keep work area clean and well lit.** Cluttered or dark areas invite accidents.
- b) **Do not operate power tools in explosive atmospheres, such as in the presence of flammable liquids, gases or dust.** Power tools create sparks which may ignite the dust or fumes.
- c) **Keep children and bystanders away while operating a power tool.** Distractions can cause you to lose control.

#### 2) ELECTRICAL SAFETY

- a) **Power tool plugs must match the outlet. Never modify the plug in any way. Do not use any adapter plugs with earthed (grounded) power tools.** Unmodified plugs and matching outlets will reduce risk of electric shock.
- b) **Avoid body contact with earthed or grounded surfaces such as pipes, radiators, ranges and**

**refrigerators.** There is an increased risk of electric shock if your body is earthed or grounded.

- c) **Do not expose power tools to rain or wet conditions.** Water entering a power tool will increase the risk of electric shock.
  - d) **Do not abuse the cord. Never use the cord for carrying, pulling or unplugging the power tool. Keep cord away from heat, oil, sharp edges or moving parts.** Damaged or entangled cords increase the risk of electric shock.
  - e) **When operating a power tool outdoors, use an extension cord suitable for outdoor use.** Use of a cord suitable for outdoor use reduces the risk of electric shock.
  - f) **If operating a power tool in a damp location is unavoidable, use an earth leakage circuit breaker.** Use of an earth leakage circuit breaker reduces the risk of electric shock.
- #### 3) PERSONAL SAFETY
- a) **Stay alert, watch what you are doing and use common sense when operating a power tool. Do not use a power tool while you are tired or under the influence of drugs, alcohol or medication.** A moment of inattention while operating power tools may result in serious personal injury.
  - b) **Use personal protective equipment. Always wear eye protection.** Protective equipment such as dust mask, non-skid safety shoes, hard hat, or hearing protection used for appropriate conditions will reduce personal injuries.
  - c) **Prevent unintentional starting. Ensure the switch is in the off-position before connecting to power source and/or battery pack, picking up or carrying the tool.** Carrying power tools with your finger on the switch or energising power tools that have the switch on invites accidents.
  - d) **Remove any adjusting key or wrench before turning the power tool on.** A wrench or a key left attached to a rotating part of the power tool may result in personal injury.
  - e) **Do not overreach. Keep proper footing and balance at all times.** This enables better control of the power tool in unexpected situations.
  - f) **Dress properly. Do not wear loose clothing or jewelry. Keep your hair, clothing and gloves away from moving parts.** Loose clothes, jewelry or long hair can be caught in moving parts.
  - g) **If devices are provided for the connection of dust extraction and collection facilities, ensure these are connected and properly used.** Use of dust collection can reduce dust-related hazards.
- #### 4) POWER TOOL USE AND CARE
- a) **Do not force the power tool. Use the correct power tool for your application.** The correct power tool will do the job better and safer at the rate for which it was designed.
  - b) **Do not use the power tool if the switch does not turn it on and off.** Any power tool that cannot be controlled with the switch is dangerous and must be repaired.
  - c) **Disconnect the plug from the power source and/or the battery pack from the power tool before making**

- any adjustments, changing accessories, or storing power tools.** Such preventive safety measures reduce the risk of starting the power tool accidentally.
- d) **Store idle power tools out of the reach of children and do not allow persons unfamiliar with the power tool or these instructions to operate the power tool.** Power tools are dangerous in the hands of untrained users.
- e) **Maintain power tools. Check for misalignment or binding of moving parts, breakage of parts and any other condition that may affect the power tool's operation. If damaged, have the power tool repaired before use.** Many accidents are caused by poorly maintained power tools.
- f) **Keep cutting tools sharp and clean.** Properly maintained cutting tools with sharp cutting edges are less likely to bind and are easier to control.
- g) **Use the power tool, accessories and tool bits etc., in accordance with these instructions, taking into account the working conditions and the work to be performed.** Use of the power tool for operations different from those intended could result in a hazardous situation.
- 5) **SERVICE**
- a) **Have your power tool serviced by a qualified repair person using only identical replacement parts.** This will ensure that the safety of the power tool is maintained.

## SAFETY INSTRUCTIONS FOR SANDERS

- Avoid damage that can be caused by screws, nails and other elements in your workpiece; remove them before you start working
- Always keep the cord away from moving parts of the tool; direct the cord to the rear, away from the tool
- **Secure the workpiece** (a workpiece clamped with clamping devices or in a vice is held more securely than by hand)
- When you put away the tool, switch off the motor and ensure that all moving parts have come to a complete standstill
- Use completely unrolled and safe extension cords with a capacity of 16 Amps (U.K. 13 Amps)
- In case of electrical or mechanical malfunction, immediately switch off the tool and disconnect the plug
- SKIL can assure flawless functioning of the tool only when original accessories are used
- This tool should not be used by people under the age of 16 years
- The noise level when working can exceed 85 dB(A); wear ear protection
- If the cord is damaged or cut through while working, do not touch the cord, but immediately disconnect the plug
- Never use the tool when cord is damaged; have it replaced by a qualified person
- Always check that the supply voltage is the same as the voltage indicated on the nameplate of the tool (tools with a rating of 230V or 240V can also be connected to a 220V supply)
- This tool is not suitable for wet sanding
- **Do not work materials containing asbestos** (asbestos is considered carcinogenic)
- Dust from material such as paint containing lead, some

wood species, minerals and metal may be harmful (contact with or inhalation of the dust may cause allergic reactions and/or respiratory diseases to the operator or bystanders); **wear a dust mask and work with a dust extraction device when connectable**

- Certain kinds of dust are classified as carcinogenic (such as oak and beech dust) especially in conjunction with additives for wood conditioning; **wear a dust mask and work with a dust extraction device when connectable**
  - Follow the dust-related national requirements for the materials you want to work with
  - When sanding metal, sparks are generated; do not use dustbox/vacuum cleaner and keep other persons and combustible material from work area
  - Do not touch the moving sanding sheet
  - Do not continue to use worn, torn or heavily clogged sanding sheets
  - Wear protective gloves, safety glasses, close-fitting clothes and hair protection (for long hair)
  - **Always disconnect plug from power source before making any adjustment or changing any accessory**
- WHEN CONNECTING NEW 3-PIN PLUG (U.K. ONLY):
- Do not connect the blue (= neutral) or brown (= live) wire in the cord of this tool to the earth terminal of the plug
  - If for any reason the old plug is cut off the cord of this tool, it must be disposed of safely and not left unattended

## USE

- Backing pads
  - never run the tool without backing pad A or B, or baseplate C
  - use the correct backing pad for the corresponding application (see Application Advice)
- **! replace damaged backing pads immediately**
- Changing backing pads ④
  - remove VELCRO sanding sheet
  - remove pad screw D with hex key E
  - mount backing pad A or B as illustrated
  - if necessary, clean backing pad first
  - fasten pad screw D with hex key E
- **! hold backing pad firmly while loosening/fastening pad screw D**
- **! unplug tool before removing/mounting backing pads**
- **! pad screw D becomes hot during use; do not touch it before it has cooled down**
- Mounting of sanding sheet ⑤
  - **! disconnect the plug**
  - mount VELCRO sanding sheet as illustrated
  - **! the dust suction requires the use of perforated sanding sheets**
  - **! perforation in sanding sheet should correspond with perforation in sanding foot**
  - **! replace worn sanding sheets in time**
  - **! always use the tool with the total sanding surface covered with sanding paper**
- Two-speed switch ⑥
  - switch on/off the tool by pushing switch F ② forward/backwards (3 positions)
  - 0 = off
  - 1 = low speed
  - 2 = high speed

- select position 1 for accurate sanding (when working with delta-tip G or special sanding attachments H, J or K)

- select position 2 for fast sanding

**! before the sanding surface reaches the workpiece, you should switch on the tool**

**! before switching off the tool, you should lift it from the workpiece**

- Mounting special sanding attachments (**not standard included**) ⑦
  - mount base plate C (similar to mounting backing pads)
  - mount attachment H, J or K onto base plate C and fasten it by turning knob L clockwise
  - mount corresponding VELCRO sanding sheet to sanding attachment
  - remove attachments or change their position by turning knob L counter-clockwise
  - 5 sanding positions
- Dust suction ⑧
  - empty dustbox M regularly for optimal dust pick-up performance

For using vacuum cleaner

- remove dustbox M by pressing knob N and hold it in that position while pulling dustbox backwards
- connect vacuum cleaner to extension P

**! do not use dustbox/vacuum cleaner when sanding metal**

- Holding and guiding the tool ⑨
  - guide the tool parallel to the working surface

**! do not apply too much pressure on the tool; let the sanding surface do the work for you**

  - do not tilt the tool in order to avoid unwanted sanding marks

**! while working, always hold the tool at the grey-coloured grip area(s)**

  - keep ventilation slots Q ② uncovered

## APPLICATION ADVICE

- Use the tool with the delta-tip pointing forward for edged, narrow and other hard-to-reach places ⑩
- Use the tool with the flat side pointing forward for long strokes on flat surfaces ⑪
- For sanding curved workpieces as well as for sanding with high removal performance use the tool in combination with backing pad A ②
- Use the tool with the special sanding attachments for hard-to-reach places ⑫
- The flexible sanding attachment is intended for
  - rounding edged surfaces ⑬a
  - all rounded surfaces with a maximum diameter of 10 cm ⑬b
- When the delta-tip G is worn or damaged at the top, you may extend its service life twice by removing it, turning it 120° and putting it back (also applicable to delta sanding sheet) ⑭
- Never use the same sanding sheet for wood and metal
- Recommended sanding sheet grits:
 

coarse	- for removing paint; for sanding of extremely rough wood
medium	- for sanding of rough or plain wood
fine	- for smoothing of wood; for finishing of bare wood; for smoothing surfaces with old paint

- Use different grit sizes when the working surface is rough:
  - start sanding with coarse or medium grit
  - finish with fine grit
- For more tips see [www.skil.com](http://www.skil.com)

## MAINTENANCE / SERVICE

- This tool is not intended for professional use
- Always keep tool and cord clean (especially ventilation slots Q ②)
  - remove adhering sanding dust with a brush

**! disconnect the plug before cleaning**
- If the tool should fail despite the care taken in manufacturing and testing procedures, repair should be carried out by an after-sales service centre for SKIL power tools
  - send the tool **undismantled** together with proof of purchase to your dealer or the nearest SKIL service station (addresses as well as the service diagram of the tool are listed on [www.skil.com](http://www.skil.com))

## ENVIRONMENT


- **Do not dispose of electric tools, accessories and packaging together with household waste material** (only for EU countries)
  - in observance of European Directive 2002/96/EC on waste of electric and electronic equipment and its implementation in accordance with national law, electric tools that have reached the end of their life must be collected separately and returned to an environmentally compatible recycling facility
  - symbol ⑮ will remind you of this when the need for disposing occurs

## CE DECLARATION OF CONFORMITY

- We declare under our sole responsibility that this product is in conformity with the following standards or standardized documents: EN 60745, EN 61000, EN 55014, in accordance with the provisions of the directives 2004/108/EC, 2006/42/EC, 2011/65/EU
- **Technical file at:** SKIL Europe BV (PT-SEU/ENG1), 4825 BD Breda, NL

Marijn van der Hoofden  
Operations & Engineering

Olaf Dijkgraaf  
Approvals Manager

  
SKIL Europe BV, 4825 BD Breda, NL  
19.08.2013

## NOISE/VIBRATION

- Measured in accordance with EN 60745 the sound pressure level of this tool is 75 dB(A) and the sound power level 86 dB(A) (standard deviation: 3 dB), and the vibration 10.7 m/s<sup>2</sup> (hand-arm method; uncertainty K = 1.5 m/s<sup>2</sup>)
- The vibration emission level has been measured in accordance with a standardised test given in EN 60745; it may be used to compare one tool with another and as a preliminary assessment of exposure to vibration when using the tool for the applications mentioned



- using the tool for different applications, or with different or poorly maintained accessories, may significantly **increase** the exposure level
  - the times when the tool is switched off or when it is running but not actually doing the job, may significantly **reduce** the exposure level
- ! protect yourself against the effects of vibration by maintaining the tool and its accessories, keeping your hands warm, and organizing your work patterns**

F

## Ponceuse polyvalente 7220

### INTRODUCTION

- Cet outil sert au ponçage et au polissage à sec du bois, des surfaces peintes, du plastique et du mastic
- Cet outil n'est conçu pour un usage professionnel
- Lisez et conservez ce manuel d'instruction ③

### SPECIFICATIONS TECHNIQUES ①

#### ELEMENTS DE L'OUTIL ②

- A Support plateau pour multi ponçage
- B Support plateau pour ponçage en orbite aléatoire
- C Plaque de base pour accessoires de ponçage\*
- D Vis du support plateau
- E Clé hexagonale
- F Interrupteur deux vitesses
- G Patin triangulaire
- H Accessoire à fente\*
- J Accessoire de ponçage flexible\*
- K Accessoire à doigt\*
- L Bouton pour le montage des accessoires de ponçage\*
- M Réservoir à poussière
- N Bouton de retrait du réservoir à poussière
- P Axe pour aspirateur
- Q Fentes de ventilation

\* NON FOURNI EN STANDARD

## SECURITE

### INSTRUCTIONS GENERALES DE SECURITE

**⚠ ATTENTION! Lisez tous les avertissements de sécurité et toutes les instructions.** Ne pas suivre les avertissements et instructions peut entraîner un choc électrique, un incendie et/ou de graves blessures sur les personnes. **Conservez tous les avertissements et toutes les instructions pour pouvoir s'y reporter ultérieurement.** La notion d'"outil électroportatif" dans les avertissements se rapporte à des outils électriques raccordés au secteur (avec câble de raccordement) et à des outils électriques à batterie (sans câble de raccordement).

#### 1) SECURITE DE LA ZONE DE TRAVAIL

- a) **Maintenez l'endroit de travail propre et bien éclairé.**  
Un lieu de travail en désordre ou mal éclairé augmente le risque d'accidents.

- b) **N'utilisez pas l'appareil dans un environnement présentant des risques d'explosion et où se trouvent des liquides, des gaz ou poussières inflammables.** Les outils électroportatifs génèrent des étincelles risquant d'enflammer les poussières ou les vapeurs.
- c) **Tenez les enfants et autres personnes éloignés durant l'utilisation de l'outil électroportatif.** En cas d'inattention vous risquez de perdre le contrôle sur l'appareil.

#### 2) SECURITE RELATIVE AU SYSTEME ELECTRIQUE

- a) **La fiche de secteur de l'outil électroportatif doit être appropriée à la prise de courant. Ne modifiez en aucun cas la fiche. N'utilisez pas de fiches d'adaptateur avec des appareils avec mise à la terre.** Les fiches non modifiées et les prises de courant appropriées réduisent le risque de choc électrique.
- b) **Évitez le contact physique avec des surfaces mises à la terre telles que tuyaux, radiateurs, fours et réfrigérateurs.** Il y a un risque élevé de choc électrique au cas où votre corps serait relié à la terre.
- c) **N'exposez pas l'outil électroportatif à la pluie ou à l'humidité.** La pénétration d'eau dans un outil électroportatif augmente le risque d'un choc électrique.
- d) **N'utilisez pas le câble à d'autres fins que celles prévues, n'utilisez pas le câble pour porter l'appareil ou pour l'accrocher ou encore pour le débrancher de la prise de courant. Maintenez le câble éloigné des sources de chaleur, des parties grasses, des bords tranchants ou des parties de l'appareil en rotation.** Un câble endommagé ou torsadé augmente le risque d'un choc électrique.
- e) **Au cas où vous utiliseriez l'outil électroportatif à l'extérieur, utilisez une rallonge autorisée homologuée pour les applications extérieures.** L'utilisation d'une rallonge électrique homologuée pour les applications extérieures réduit le risque d'un choc électrique.
- f) **Si l'usage d'un outil dans un emplacement humide est inévitable, utilisez un disjoncteur de fuite à la terre.** L'utilisation d'un disjoncteur de fuite à la terre réduit le risque de choc électrique.

#### 3) SECURITE DES PERSONNES

- a) **Restez vigilant, surveillez ce que vous faites. Faites preuve de bon sens en utilisant l'outil électroportatif. N'utilisez pas l'appareil lorsque vous êtes fatigué ou après avoir consommé de l'alcool, des drogues ou avoir pris des médicaments.** Un moment d'inattention lors de l'utilisation de l'appareil peut entraîner de graves blessures sur les personnes.
- b) **Portez des équipements de protection. Portez toujours des lunettes de protection.** Le fait de porter des équipements de protection personnels tels que masque anti-poussières, chaussures de sécurité antidérapantes, casque de protection ou protection acoustique suivant le travail à effectuer, réduit le risque de blessures.
- c) **Évitez tout démarrage intempestif. S'assurez que l'interrupteur est en position arrêt avant de brancher l'outil au secteur et/ou au bloc de batteries, de le ramasser ou de le porter.** Porter les outils en ayant le doigt sur l'interrupteur ou brancher

des outils dont l'interrupteur est en position marche est source d'accidents.

- d) **Enlevez tout outil de réglage ou toute clé avant de mettre l'appareil en fonctionnement.** Une clé ou un outil se trouvant sur une partie en rotation peut causer des blessures.
- e) **Ne surestimez pas vos capacités. Veillez à garder toujours une position stable et équilibrée.** Ceci vous permet de mieux contrôler l'appareil dans des situations inattendues.
- f) **Portez des vêtements appropriés. Ne portez pas de vêtements amples ni de bijoux. Maintenez cheveux, vêtements et gants éloignés des parties de l'appareil en rotation.** Des vêtements amples, des bijoux ou des cheveux longs peuvent être happés par des pièces en mouvement.
- g) **Si des dispositifs servant à aspirer ou à recueillir les poussières doivent être utilisés, vérifiez que ceux-ci soient effectivement raccordés et qu'ils sont correctement utilisés.** L'utilisation des collecteurs de poussière réduit les dangers dus aux poussières.

#### 4) UTILISATION ET EMPLOI SOIGNEUX DE L'OUTIL ELECTROPORTATIF

- a) **Ne surchargez pas l'appareil. Utilisez l'outil électroportatif approprié au travail à effectuer.** Avec l'outil électroportatif approprié, vous travaillerez mieux et avec plus de sécurité à la vitesse pour laquelle il est prévu.
- b) **N'utilisez pas un outil électroportatif dont l'interrupteur est défectueux.** Un outil électroportatif qui ne peut plus être mis en ou hors fonctionnement est dangereux et doit être réparé.
- c) **Débranchez la fiche de la source d'alimentation en courant et/ou le bloc de batteries de l'outil avant tout réglage, changement d'accessoires ou avant de ranger l'outil.** Cette mesure de précaution empêche une mise en fonctionnement par mégarde.
- d) **Gardez les outils électroportatifs non utilisés hors de portée des enfants. Ne permettez pas l'utilisation de l'appareil à des personnes qui ne se sont pas familiarisées avec celui-ci ou qui n'ont pas lu ces instructions.** Les outils électroportatifs sont dangereux lorsqu'ils sont utilisés par des personnes non initiées.
- e) **Prenez soin des outils électroportatifs. Vérifiez que les parties en mouvement fonctionnent correctement et qu'elles ne soient pas coincées, et contrôlez si des parties sont cassées ou endommagées de telle sorte que le bon fonctionnement de l'appareil s'en trouve entravé. Faites réparer les parties endommagées avant d'utiliser l'appareil.** De nombreux accidents sont dus à des outils électroportatifs mal entretenus.
- f) **Maintenez les outils de coupe aiguisés et propres.** Des outils soigneusement entretenus avec des bords tranchants bien aiguisés se coincent moins souvent et peuvent être guidés plus facilement.
- g) **Utilisez les outils électroportatifs, les accessoires, les outils à monter etc. conformément à ces instructions. Tenez compte également des conditions de travail et du travail à effectuer.** L'utilisation des outils électroportatifs à d'autres fins

que celles prévues peut entraîner des situations dangereuses.

#### 5) SERVICE

- a) **Ne faites réparer votre outil électroportatif que par un personnel qualifié et seulement avec des pièces de rechange d'origine.** Ceci permet d'assurer la sécurité de l'appareil.

#### INSTRUCTIONS DE SECURITE POUR PONCEUSES

- Faites attention aux vis, clous ou autres éléments qui pourraient se trouver dans la pièce à travailler et qui risqueraient d'endommager très fortement votre outil; enlevez-les avant de commencer le travail
- Tenez toujours le câble éloigné des parties mobiles de l'outil; orientez le câble vers l'arrière le plus loin possible de l'outil
- Fixez solidement la pièce à travailler** (une pièce fixée à l'aide de dispositifs de fixation est davantage assurée que si elle était tenue à la main)
- Lorsque vous rangez votre outil, le moteur doit être coupé et les pièces mobiles complètement arrêtées
- Utilisez un câble de prolongement complètement déroulé et de bonne qualité d'une capacité de 16 A
- En cas de dysfonctionnement électrique ou mécanique, mettez directement l'outil hors service et débranchez la fiche
- SKIL ne peut se porter garant du bon fonctionnement de cet outil que s'il a été utilisé avec les accessoires d'origine
- Cet outil ne doit pas être utilisé par des personnes de moins de 16 ans
- Le niveau sonore en fonctionnement peut dépasser 85 dB(A); munissez-vous de casques anti-bruit
- Si le câble est endommagé ou rompu pendant le travail, n'y touchez pas, mais débranchez immédiatement la prise
- N'utilisez jamais d'outil avec un câble endommagé; faites-le remplacer par un technicien qualifié
- Contrôlez toujours si la tension secteur correspond à la tension indiquée sur la plaquette signalétique de l'outil (les outils conçus pour une tension de 230V ou 240V peuvent également être branchés sur 220V)
- Cet outil ne convient pas pour des surfaces à poncer imperméabilisées
- Ne travaillez pas de matériaux contenant de l'amiante** (l'amiante est considérée comme étant cancérigène)
- La poussière de matériaux, tels que la peinture contenant du plomb, certaines espèces de bois, certains minéraux et différents métaux, peut être nocive (le contact avec la poussière ou son inhalation peut provoquer des réactions allergiques et/ou des maladies respiratoires chez l'opérateur ou des personnes se trouvant à proximité); **portez un masque antipoussières et travaillez avec un appareil de dépolluissage lorsqu'il est possible d'en connecter un**
- Certains types de poussières sont classifiés comme étant cancérigènes (tels que la poussière de chêne ou de hêtre), en particulier en combinaison avec des additifs de traitement du bois; **portez un masque antipoussières et travaillez avec un appareil de dépolluissage lorsqu'il est possible d'en connecter un**

- Suivez les directives nationales relatives au dépoussiérage pour les matériaux à travailler
- Lorsque vous poncez du métal, des étincelles se produisent; n'utilisez pas le réservoir à poussière/l'aspirateur et tenez toute autre personne ou tout matériel combustible éloignés de votre lieu de travail
- Ne touchez pas la feuille de ponçage en rotation
- N'utilisez plus les feuilles de ponçage usées, fissurées ou fortement encrassées
- Portez des gants de protection, des lunettes de protection, des vêtements près du corps et un protège cheveux (pour des cheveux longs)
- **Débranchez toujours l'outil avant tout réglage ou changement d'accessoire**

## UTILISATION

- Supports plateau
  - n'utilisez jamais l'outil sans support plateau A ou B, ou plaque de base C
  - utilisez le support plateau adéquat au travail à effectuer (voir: Conseils d'utilisation)
  - ! **remplacez immédiatement les supports plateau lorsqu'ils sont endommagés**
- Changement de supports plateau ④
  - retirez la feuille de ponçage VELCRO
  - retirez la vis du support plateau D avec la clé hexagonale E
  - montez le support plateau A ou B comme indiqué
  - si nécessaire, nettoyez au préalable le support plateau
  - resserrer la vis du support plateau D avec la clé hexagonale E
  - ! **tenez le support plateau fermement tout en desserrant/resserrant la vis du support plateau D**
  - ! **débranchez votre outil avant d'enlever le support plateau**
  - ! **à l'usage, la vis du support plateau D s'échauffe; n'y touchez pas avant qu'elle ne se soit refroidie**
- Montage des feuilles de ponçage ⑤
  - ! **débranchez la fiche**
  - montez une feuille de ponçage VELCRO comme illustré
  - ! **l'aspiration des poussières exige des feuilles de ponçage perforées**
  - ! **la perforation du papier devrait correspondre à la perforation de la semelle de ponçage**
  - ! **quand les feuilles sont usagées n'attendez pas pour les changer**
  - ! **utiliser toujours cet outil avec la surface de ponçage complètement recouverte d'une feuille de ponçage**
- Interrupteur deux vitesses ⑥
  - mettez en marche/arrêtez votre outil en poussant l'interrupteur F ② vers l'avant/l'arrière (3 positions)
  - 0 = arrêt
  - 1 = vitesse lente
  - 2 = vitesse rapide
  - sélectionnez la position 1 pour un ponçage précis (lors d'un travail effectué avec un patin triangulaire G ou des accessoires spéciaux de ponçage H, J ou K)
  - sélectionnez la position 2 pour un ponçage rapide
  - ! **l'outil doit être mis en marche avant que la surface de ponçage ne touche la pièce à poncer**
  - ! **avant d'arrêter l'outil, vous devriez le soulever de la pièce à travailler**

- Montage des accessoires spéciaux de ponçage (**ne sont pas livrés en standard**) ⑦
    - montez la plaque de base C (semblable au montage des supports plateau)
    - montez l'accessoire H, J ou K sur la plaque de base C et attachez-la en tournant le bouton L dans le sens des aiguilles d'une montre
    - montez la feuille de ponçage VELCRO correspondante sur l'accessoire de ponçage
    - retirez les accessoires ou changez leur position en tournant le bouton L dans le sens inverse des aiguilles d'une montre
    - 5 positions de ponçage
  - Aspiration de poussières ⑧
    - videz le réservoir à poussière M régulièrement pour une récupération optimale des poussières
- En cas d'utilisation d'un aspirateur
- retirez le réservoir à poussière M en appuyant sur le bouton N et en le maintenant dans cette position tout en tirant le réservoir à poussière vers l'arrière
  - montez l'aspirateur sur l'axe P
  - ! **n'utilisez pas le réservoir à poussière/l'aspirateur pour le ponçage des métaux**
- Tenue et guidage de l'outil ⑨
    - le guidage doit se faire parallèlement à la surface à travailler
    - ! **n'appliquez pas une pression excessive sur l'outil; le ponçage se fait de lui-même**
    - n'inclinez pas trop l'outil pour éviter toute marque de ponçage
    - ! **lorsque vous travaillez, tenez toujours l'outil par la(les) zone(s) de couleur grise**
    - veillez à ce que les fentes de ventilation Q ② soient découvertes

## CONSEILS D'UTILISATION

- Utilisez l'outil avec la pointe triangulaire tournée en avant pour des bords et des endroits étroits et d'accès difficile ⑩
- Utilisez l'outil avec le côté plat tourné en avant pour des traits longues sur surfaces plates ⑪
- Pour poncer des pièces courbes ainsi que pour poncer en enlevant beaucoup de matière, utilisez l'outil combiné au support plateau A ②
- Utilisez l'outil avec ses accessoires spéciaux de ponçage pour les endroits difficiles d'accès ⑫
- L'accessoire de ponçage flexible a été conçu pour
  - arrondir les surfaces à bords ⑬a
  - toutes les surfaces arrondies d'un diamètre maximum de 10 cm ⑬b
- Lorsque le patin triangulaire G est usé ou abîmé sur le dessus, vous pouvez deux fois en prolonger la durée de vie en l'enlevant et en le tournant de 120° et ensuite en le remettant en place (ceci est également valable pour la feuille de ponçage triangulaire) ⑬
- Ne jamais travaillez le bois et le métal avec une même feuille de ponçage
- Grain de feuilles de ponçage recommandé:
 

gros	- pour enlever de la peinture; pour poncer du bois très brut
moyen	- pour poncer du bois brut ou commun

- fin - pour polir du bois; pour finir du bois nu; pour polir des vieilles surfaces peintes
- Procédez par étapes, quand la surface à travailler est brute:
    - commencez à poncer avec du grain gros ou moyen
    - terminez par du grain fin
  - Pour des suggestions complémentaires voyez [www.skil.com](http://www.skil.com)

## ENTRETIEN / SERVICE APRES-VENTE

- Cet outil n'est pas conçu pour un usage professionnel
- Gardez toujours votre outil et le câble propres (spécialement les aérations Q ②)
  - éliminez les poussières de ponçage qui adhèrent à l'outil avec un pinceau
- ! **débranchez la fiche avant le nettoyage**
- Si, malgré tous les soins apportés à la fabrication et au contrôle de l'outil, celui-ci devait avoir un défaut, la réparation ne doit être confiée qu'à une station de service après-vente agréée pour outillage SKIL
  - retournez l'outil **non démonté** avec votre preuve d'achat au revendeur ou au centre de service après-vente SKIL le plus proche (les adresses ainsi que la vue éclatée de l'outil figurent sur [www.skil.com](http://www.skil.com))

## ENVIRONNEMENT

- **Ne jetez pas les outils électriques, les accessoires et l'emballage dans les ordures ménagères** (pour les pays européens uniquement)
  - conformément à la directive européenne 2002/96/EG relative aux déchets d'équipements électriques ou électroniques, et à sa transposition dans la législation nationale, les outils électriques usés doivent être collectés séparément et faire l'objet d'un recyclage respectueux de l'environnement
  - le symbole ⑮ vous le rappellera au moment de la mise au rebut de l'outil

## DÉCLARATION DE CONFORMITÉ CE

- Nous déclarons sous notre propre responsabilité que ce produit est en conformité avec les normes ou documents normalisés suivants: EN 60745, EN 61000, EN 55014, conforme aux réglementations 2004/108/CE, 2006/42/CE, 2011/65/UE
- **Dossier technique auprès de:** SKIL Europe BV (PT-SEU/ENG1), 4825 BD Breda, NL

Marijn van der Hoofden  
Operations & Engineering

Olaf Dijkgraaf  
Approvals Manager

SKIL Europe BV, 4825 BD Breda, NL  
19.08.2013

## BRUIT/VIBRATION

- Mesuré selon EN 60745 le niveau de la pression sonore de cet outil est 75 dB(A) et le niveau de la puissance sonore 86 dB(A) (déviation standard: 3 dB), et la vibration 10,7 m/s<sup>2</sup> (méthode main-bras; incertitude K = 1,5 m/s<sup>2</sup>)

- Le niveau de vibrations émises a été mesuré conformément à l'essai normalisé de la norme EN 60745; il peut être utilisé pour comparer plusieurs outils et pour réaliser une évaluation préliminaire de l'exposition aux vibrations lors de l'utilisation de l'outil pour les applications mentionnées
  - l'utilisation de l'outil dans d'autres applications, ou avec des accessoires différents ou mal entretenus, peut considérablement **augmenter** le niveau d'exposition
  - la mise hors tension de l'outil et sa non-utilisation pendant qu'il est allumé peuvent considérablement **réduire** le niveau d'exposition
- ! **protégez-vous contre les effets des vibrations par un entretien correct de l'outil et de ses accessoires, en gardant vos mains chaudes et en structurant vos schémas de travail**

D

## Multischleifer

7220

## EINLEITUNG

- Dieses Werkzeug ist für das Trockenschleifen und Fertigbearbeiten von Holz, lackierten Oberflächen, Kunststoff und Spachtelmasse bestimmt
- Dieses Werkzeug eignet sich nicht für den professionellen Einsatz
- Bitte diese Bedienungsanleitung sorgfältig lesen und aufbewahren ③

## TECHNISCHE DATEN ①

## WERKZEUGKOMPONENTEN ②

- A Schleifteller für Multischleiff
- B Schleifteller für Schliff mit Exzentrerschleifer
- C Bodenplatte für Schleifzubehör\*
- D Teller Mutter
- E Sechskantschlüssel
- F Zweistufiger Geschwindigkeitsschalter
- G Dreieckspitze
- H Schlitz-Zubehörteil\*
- J Flexibles Schleifzubehör\*
- K Finger-Zubehörteil\*
- L Knopf für die Montage von Schleifzubehör\*
- M Staubbox
- N Schalter zur Entfernung der Staubbox
- P Anbau für Staubsauger
- Q Lüftungsschlitze

\* STANDARDMÄSSIG NICHT ENTHALTEN

## SICHERHEIT

### ALLGEMEINE SICHERHEITSHINWEISE

**⚠ ACHTUNG! Lesen Sie alle Sicherheitshinweise und Anweisungen.** Versäumnisse bei der Einhaltung der Sicherheitshinweise und Anweisungen können elektrischen Schlag, Brand und/oder schwere Verletzungen

verursachen. **Bewahren Sie alle Sicherheitshinweise und Anweisungen für die Zukunft auf.** Der in den Sicherheitshinweisen verwendete Begriff "Elektrowerkzeug" bezieht sich auf netzbetriebene Elektrowerkzeuge (mit Netzkabel) und auf akkubetriebene Elektrowerkzeuge (ohne Netzkabel).

### 1) ARBEITSPLATZSICHERHEIT

- a) **Halten Sie Ihren Arbeitsbereich sauber und gut beleuchtet.** Unordnung oder unbeleuchtete Arbeitsbereiche können zu Unfällen führen.
- b) **Arbeiten Sie mit dem Gerät nicht in explosionsgefährdeter Umgebung, in der sich brennbare Flüssigkeiten, Gase oder Stäube befinden.** Elektrowerkzeuge erzeugen Funken, die den Staub oder die Dämpfe entzünden können.
- c) **Halten Sie Kinder und andere Personen während der Benutzung des Elektrowerkzeugs fern.** Bei Ablenkung können Sie die Kontrolle über das Gerät verlieren.

### 2) ELEKTRISCHE SICHERHEIT

- a) **Der Anschlussstecker des Gerätes muss in die Steckdose passen. Der Stecker darf in keiner Weise verändert werden. Verwenden Sie keine Adapterstecker gemeinsam mit schutzgeerdeten Geräten.** Unveränderte Stecker und passende Steckdosen verringern das Risiko eines elektrischen Schlages.
- b) **Vermeiden Sie Körperkontakt mit geerdeten Oberflächen, wie von Rohren, Heizungen, Herden und Kühlschränken.** Es besteht ein erhöhtes Risiko durch elektrischen Schlag, wenn Ihr Körper geerdet ist.
- c) **Halten Sie das Gerät von Regen oder Nässe fern.** Das Eindringen von Wasser in ein Elektrogerät erhöht das Risiko eines elektrischen Schlages.
- d) **Zweckentfremden Sie das Kabel nicht, um das Gerät zu tragen, aufzuhängen oder um den Stecker aus der Steckdose zu ziehen. Halten Sie das Kabel fern von Hitze, Öl, scharfen Kanten oder sich bewegenden Geräteteilen.** Beschädigte oder verwickelte Kabel erhöhen das Risiko eines elektrischen Schlages.
- e) **Wenn Sie mit einem Elektrowerkzeug im Freien arbeiten, verwenden Sie nur Verlängerungskabel, die auch für den Außenbereich zugelassen sind.** Die Anwendung eines für den Außenbereich geeigneten Verlängerungskabels verringert das Risiko eines elektrischen Schlages.
- f) **Wenn der Betrieb des Elektrowerkzeuges in feuchter Umgebung nicht vermeidbar ist, verwenden Sie einen Fehlerstromschutzschalter.** Der Einsatz eines Fehlerstromschutzschalters vermindert das Risiko eines elektrischen Schlages.

### 3) SICHERHEIT VON PERSONEN

- a) **Seien Sie aufmerksam, achten Sie darauf, was Sie tun, und gehen Sie mit Vernunft an die Arbeit mit einem Elektrowerkzeug. Benutzen Sie das Gerät nicht, wenn Sie müde sind oder unter dem Einfluss von Drogen, Alkohol oder Medikamenten stehen.** Ein Moment der Unachtsamkeit beim Gebrauch des Gerätes kann zu ernsthaften Verletzungen führen.
- b) **Tragen Sie persönliche Schutzausrüstung und**

**immer eine Schutzbrille.** Das Tragen persönlicher Schutzausrüstung, wie Staubmaske, rutschfeste Sicherheitsschuhe, Schutzhelm oder Gehörschutz, je nach Art und Einsatz des Elektrowerkzeuges, verringert das Risiko von Verletzungen.

- c) **Vermeiden Sie eine unbeabsichtigte Inbetriebnahme. Vergewissern Sie sich, dass das Elektrowerkzeug ausgeschaltet ist, bevor Sie es an die Stromversorgung und/oder den Akku anschließen, es aufnehmen oder tragen.** Wenn Sie beim Tragen des Elektrowerkzeuges den Finger am Schalter haben oder das Gerät eingeschaltet an die Stromversorgung anschließen, kann dies zu Unfällen führen.
  - d) **Entfernen Sie Einstellwerkzeuge oder Schraubenschlüssel, bevor Sie das Gerät einschalten.** Ein Werkzeug oder Schlüssel, der sich in einem drehenden Geräteteil befindet, kann zu Verletzungen führen.
  - e) **Überschätzen Sie sich nicht. Sorgen Sie für einen sicheren Stand und halten Sie jederzeit das Gleichgewicht.** Dadurch können Sie das Gerät in unerwarteten Situationen besser kontrollieren.
  - f) **Tragen Sie geeignete Kleidung. Tragen Sie keine weite Kleidung oder Schmuck. Halten Sie Haare, Kleidung und Handschuhe fern von sich bewegenden Teilen.** Lockere Kleidung, Schmuck oder lange Haare können von sich bewegenden Teilen erfasst werden.
  - g) **Wenn Staubabsaug- und -auffangeinrichtungen montiert werden können, vergewissern Sie sich, dass diese angeschlossen sind und richtig verwendet werden.** Verwendung einer Staubabsaugung verringert Gefährdungen durch Staub.
- ### 4) SORGFÄLTIGER UMGANG UND GEBRAUCH VON ELEKTROWERKZEUGEN
- a) **Überlasten Sie das Gerät nicht. Verwenden Sie für Ihre Arbeit das dafür bestimmte Elektrowerkzeug.** Mit dem passenden Elektrowerkzeug arbeiten Sie besser und sicherer im angegebenen Leistungsbereich.
  - b) **Benutzen Sie kein Elektrowerkzeug, dessen Schalter defekt ist.** Ein Elektrowerkzeug, das sich nicht mehr ein- oder ausschalten lässt, ist gefährlich und muss repariert werden.
  - c) **Ziehen Sie den Stecker aus der Steckdose und/oder entfernen Sie den Akku, bevor Sie Geräteeinstellungen vornehmen, Zubehörteile wechseln oder das Gerät weglegen.** Diese Vorsichtsmaßnahme verhindert den unbeabsichtigten Start des Geräts.
  - d) **Bewahren Sie unbenutzte Elektrowerkzeuge außerhalb der Reichweite von Kindern auf. Lassen Sie Personen das Gerät nicht benutzen, die mit diesem nicht vertraut sind oder diese Anweisungen nicht gelesen haben.** Elektrowerkzeuge sind gefährlich, wenn Sie von unerfahrenen Personen benutzt werden.
  - e) **Pflegen Sie das Gerät mit Sorgfalt. Kontrollieren Sie, ob bewegliche Geräteteile einwandfrei funktionieren und nicht klemmen, ob Teile gebrochen oder so beschädigt sind, dass die Funktion des Gerätes beeinträchtigt ist. Lassen**

**Sie beschädigte Teile vor dem Einsatz des Geräts reparieren.** Viele Unfälle haben ihre Ursache in schlecht gewarteten Elektrowerkzeugen.

- f) **Halten Sie Schneidwerkzeuge scharf und sauber.** Sorgfältig gepflegte Schneidwerkzeuge mit scharfen Schneidkanten verklemmen sich weniger und sind leichter zu führen.
- g) **Verwenden Sie Elektrowerkzeug, Zubehör, Einsatzwerkzeuge usw. entsprechend diesen Anweisungen. Berücksichtigen Sie dabei die Arbeitsbedingungen und die auszuführende Tätigkeit.** Der Gebrauch von Elektrowerkzeugen für andere als die vorgesehenen Anwendungen kann zu gefährlichen Situationen führen.
- 5) **SERVICE**
- a) **Lassen Sie Ihr Gerät nur von qualifiziertem Fachpersonal und nur mit Original-Ersatzteilen reparieren.** Damit wird sichergestellt, dass die Sicherheit des Geräts erhalten bleibt.

## SICHERHEITSHINWEISE FÜR SCHLEIFER

- Beschädigungen durch Schrauben, Nägel und ähnliches an Ihrem Werkstück vermeiden; diese vor Arbeitsbeginn entfernen
- Das Kabel immer von umlaufenden Teilen des Werkzeuges fernhalten; das Kabel nach hinten vom Werkzeug weg führen
- **Sichern Sie das Werkstück** (ein mit Spannvorrichtungen oder Schraubstock festgehaltenes Werkstück ist sicherer gehalten als mit der Hand)
- Sobald Sie sich von Ihrem Werkzeug entfernen, sollte dieses ausgeschaltet werden und die sich bewegenden Teile vollkommen zum Stillstand gekommen sein
- Bei Benutzung von Verlängerungskabeln ist darauf zu achten, daß das Kabel vollständig abgerollt ist und eine Kapazität von 16 A hat
- Bei elektrischer oder mechanischer Fehlfunktion das Werkzeug sofort ausschalten und den Netzstecker ziehen
- SKIL kann nur dann die einwandfreie Funktion des Werkzeuges zusichern, wenn Original-Zubehör verwendet wird
- Der Benutzer dieses Werkzeuges sollte älter als 16 Jahre sein
- Der Geräuschpegel beim Arbeiten kann 85 dB(A) überschreiten; Gehörschutz tragen
- Wird bei der Arbeit das Kabel beschädigt oder durchtrennt, Kabel nicht berühren, sondern sofort den Netzstecker ziehen
- Werkzeug nicht weiter verwenden, wenn das Kabel beschädigt ist; lassen Sie dieses von einem anerkannten Elektrofachmann ersetzen
- Stets nachprüfen, daß die Netzspannung mit der auf dem Typenschild des Werkzeuges angegebenen Spannung übereinstimmt (mit 230V oder 240V beschriftete Werkzeuge können auch an 220V betrieben werden)
- Dieses Werkzeug ist für Naßschleifen nicht geeignet
- **Bearbeiten Sie kein asbesthaltiges Material** (Asbest gilt als krebserregend)
- Staub von Materialien wie Farbe, die Blei enthält, einigen Holzarten, Mineralien und Metall kann schädlich sein (Kontakt mit oder Einatmen des Staubs kann zu

allergischen Reaktionen und/oder Atemwegskrankheiten beim Bediener oder Umstehenden führen); **tragen Sie eine Staubmaske und arbeiten Sie mit einem Staubabsaugungssystem, wenn ein solches angeschlossen werden kann**

- Bestimmte Arten von Staub sind als karzinogen klassifiziert (beispielsweise Eichen- und Buchenholzstaub), insbesondere in Verbindung mit Zusätzen für die Holzvorbehandlung; **tragen Sie eine Staubmaske und arbeiten Sie mit einem Staubabsaugungssystem, wenn ein solches angeschlossen werden kann**
- Beachten Sie die für Ihr verwendetes Verbrauchsmaterial gültigen nationalen Staubschutzvorgaben
- Beim Schleifen von Metall entstehen Funken; verwenden Sie die Staubbox/den Staubsauger nicht und halten Sie andere Personen sowie brennbare Materialien von Ihrem Arbeitsbereich fern
- Nicht mit dem laufenden Schleifpapier in Berührung kommen
- Verwenden Sie verschlissene, eingerissene oder stark zugesetzte Schleifpapiere nicht weiter
- Tragen Sie Schutzhandschuhe, Schutzbrille, enganliegende Kleidung und Haarschutz (bei langen Haaren)
- **Ziehen Sie grundsätzlich den Netzstecker, bevor Sie beliebige Änderungen an den Einstellungen oder einen Zubehörwechsel vornehmen**

## BEDIENUNG

- Schleifteller
  - auf keinen Fall Werkzeug ohne Schleifteller A oder B oder Bodenplatte C in Betrieb nehmen
  - den entsprechenden Schleifteller zur entsprechenden Anwendung verwenden (siehe: Anwendung)
- ! **beschädigte Schleifteller sofort ersetzen**
- Auswechseln der Schleifteller ④
  - VELCRO-Schleifpapier entfernen
  - lösen Sie die Teller Mutter D mit einem Sechskantschlüssel E
  - montieren Sie den Schleifteller A oder B wie abgebildet
  - falls nötig, Schleifteller zuerst säubern
  - befestigen Sie die Teller Mutter D mit einem Sechskantschlüssel E
- ! **Schleifteller während des LöSENS/Befestigens der Teller Mutter D gut festhalten**
- ! **vor Entfernen des Schleiftellers Netzstecker ziehen**
- ! **die Teller Mutter D wird bei Gebrauch heiß; nicht berühren, bevor sie abgekühlt ist**
- Schleifpapierbefestigung ⑤
  - ! **Netzstecker ziehen**
  - VELCRO-Schleifpapier wie dargestellt befestigen
  - ! **für die Staubabsaugung brauchen Sie gelochtes Schleifpapier**
  - ! **die Löcher im Schleifpapier sollten mit denen der Schleifplatte übereinstimmen**
  - ! **abgenutztes Schleifpapier rechtzeitig erneuern**
  - ! **benutzen Sie das Werkzeug nur wenn die gesamte Schleiffläche mit Schleifpapier bedeckt ist**

- Zweistufiger Geschwindigkeitsschalter⑥
    - Werkzeug ein-/ausschalten durch Schalter F ② nach vorn/rückwärts zu schieben (3 Positionen)
      - 0 = Aus
      - 1 = niedrige Drehzahl
      - 2 = hohe Drehzahl
    - wählen Sie Position 1 für präzises Schleifen (bei der Arbeit mit der Dreiecksspitze G oder mit dem speziellem Schleifzubehör H, J oder K)
    - wählen Sie Position 2 für schnelles Schleifen
  - ! **bevor die Schleiffläche das Werkstück berührt, muß Ihr Werkzeug erst eingeschaltet werden**
  - ! **vor dem Ausschalten des Werkzeuges sollte dieses vom Werkstück abgenommen werden**
  - Montage von speziellem Schleifzubehör (**nicht standartmäßig enthalten**) ⑦
    - montieren Sie die Bodenplatte C (ähnelt der Montage der Schleifteller)
    - montieren Sie das Zubehör H, J oder K auf die Bodenplatte C und befestigen Sie es, indem Sie den Knopf L im Uhrzeigersinn drehen
    - entsprechendes VELCRO-Schleifpapier an Schleifzubehör befestigen
    - entfernen Sie Zubehör oder ändern Sie dessen Position, indem Sie den Knopf L gegen den Uhrzeigersinn drehen
    - 5 Schleifpositionen
  - Staubabsaugung ⑧
    - regelmäßige Entleerung der Staubbox M sorgt für optimale Staubaufnahme
- Wenn Staubsauger benutzt wird
- Staubbox M durch Drücken und Halten des Schalters N sowie gleichzeitigem Ziehen der Staubbox nach hinten entfernen
  - Staubsaugerschlauch auf Anbau P stecken
- ! **Staubbox/Staubsauger nicht beim Schleifen von Metall verwenden**
- Halten und Führen des Werkzeuges ⑨
    - halten Sie Ihr Werkzeug parallel zu der zu bearbeitenden Oberfläche
- ! **nicht zu viel Druck auf das Werkzeug ausüben; lassen Sie die Schleiffläche für Sie arbeiten**
- verkanten Sie das Werkzeug nicht, damit ungewollte Schleifspuren vermieden werden
- ! **Werkzeug beim Arbeiten immer am grauen Griffbereich fassen**
- Lüftungsschlitze Q ② unbedeckt halten

## ANWENDUNGSHINWEISE

- Das Werkzeug mit der Dreiecksspitze nach vorne benutzen für eingefasste, schmale und sonstige schwer zugängliche Stellen ⑩
- Das Werkzeug mit der flachen Seite nach vorne benutzen für längere Züge auf flachen Oberflächen ⑪
- Verwenden Sie für das Schleifen gebogener Werkstücke und für das Schleifen mit hohem Schleifabtrag das Werkzeug zusammen mit dem Schleifteller A ②
- Das Werkzeug mit dem speziellen Schleifzubehör für schwer zugängliche Stellen benutzen ⑫
- Das flexible Schleifzubehör ist für Folgendes bestimmt
  - Abrunden von kantigen Oberflächen ⑬a
  - alle abgerundeten Oberflächen mit einem maximalen Durchmesser von 10 cm ⑬b

- Wenn die Dreiecksspitze G oben verschlissen oder beschädigt ist, können Sie die Standzeit zweifach verlängern, indem Sie diese entfernen, 120° drehen und wieder anbringen (trifft auch auf Dreieck-Schleifblatt zu) ⑭
- Nie mit demselben Schleifpapier Holz und Metall bearbeiten
- Empfohlene Schleifpapierkörnung
 

grob	- zum Entfernen von Farbe; zum Schleifen von äußerst rohem Holz
mittel	- zum Schleifen von Rohholz oder einfachem Holz
fein	- zum Glätten von Holz; zum Abschleifen von unbehandeltem Holz; zum Glätten von Oberflächen mit alter Farbe
- Verwenden Sie verschiedene Körnunggröße wenn die zu bearbeitende Oberfläche roh ist:
  - schleifen Sie anfangs mit der Grob- oder Mittelkörnung
  - beenden Sie mit der Feinkörnung
- Für mehr Tips siehe [www.skil.com](http://www.skil.com)

## WARTUNG / SERVICE

- Dieses Werkzeug eignet sich nicht für den professionellen Einsatz
- Halten Sie Werkzeug und Kabel immer sauber (insbesondere die Lüftungsschlitze Q ②)
  - anhaftenden Schleifstaub mit einem Pinsel entfernen
- ! **Netzstecker vor dem Säubern ziehen**
- Sollte das Elektrowerkzeug trotz sorgfältiger Herstellungs- und Prüfverfahren einmal ausfallen, ist die Reparatur von einer autorisierten Kundendienststelle für SKIL-Elektrowerkzeuge ausführen zu lassen
  - das Werkzeug **unzerlegt**, zusammen mit dem Kaufbeleg, an den Lieferer oder die nächste SKIL-Vertragswerkstätte senden (die Anschriften so wie die Ersatzteilzeichnung des Werkzeuges finden Sie unter [www.skil.com](http://www.skil.com))

## UMWELT

- **Elektrowerkzeuge, Zubehör und Verpackungen nicht in den Hausmüll werfen** (nur für EU-Länder)
  - gemäss Europäischer Richtlinie 2002/96/EG über Elektro- und Elektronik- Altgeräte und Umsetzung in nationales Recht müssen nicht mehr gebrauchsfähige Elektrowerkzeuge getrennt gesammelt und einer umweltgerechten Wiederverwertung zugeführt werden
  - hieran soll Sie Symbol ⑮ erinnern

## CE-KONFORMITÄTSERKLÄRUNG

- Wir erklären in alleiniger Verantwortung, daß dieses Produkt mit den folgenden Normen oder normativen Dokumenten übereinstimmt: EN 60745, EN 61000, EN 55014, gemäß den Bestimmungen der Richtlinien 2004/108/EG, 2006/42/EG, 2011/65/EU

- **Technische Onderlagen** bei: SKIL Europe BV (PT-SEU/ENG1), 4825 BD Breda, NL

Marijn van der Hoofden  
Operations & Engineering

Olaf Dijkgraaf  
Approvals Manager




SKIL Europe BV, 4825 BD Breda, NL

19.08.2013

## GERÄUSCH/VIBRATION

- Gemessen gemäß EN 60745 beträgt der Schalldruckpegel dieses Gerätes 75 dB(A) und der Schalleistungspegel 86 dB(A) (Standardabweichung: 3 dB), und die Vibration 10,7 m/s<sup>2</sup> (Hand-Arm Methode; Unsicherheit K = 1,5 m/s<sup>2</sup>)
  - Die Vibrationsemissionsstufe wurde mit einem standardisierten Test gemäß EN 60745 gemessen; Sie kann verwendet werden, um ein Werkzeug mit einem anderen zu vergleichen und als vorläufige Beurteilung der Vibrationsexposition bei Verwendung des Werkzeugs für die angegebenen Anwendungszwecke
    - die Verwendung des Werkzeugs für andere Anwendungen oder mit anderem oder schlecht gewartetem Zubehör kann die Expositionsstufe erheblich **erhöhen**
    - Zeiten, zu denen das Werkzeug ausgeschaltet ist, oder wenn es läuft aber eigentlich nicht eingesetzt wird, können die Expositionsstufe erheblich **verringern**
- ! schützen Sie sich vor den Auswirkungen der Vibration durch Wartung des Werkzeugs und des Zubehörs, halten Sie Ihre Hände warm und organisieren Sie Ihren Arbeitsablauf**

NL

## Multi schuurmachine

7220

## INTRODUCTIE

- Deze machine is bestemd voor het droog schuren en polijsten van hout, geverfde oppervlakken, kunststof en plamuur
- Deze machine is niet bedoeld voor professioneel gebruik
- Lees en bewaar deze gebruiksaanwijzing ③

## TECHNISCHE SPECIFICATIES ①

### MACHINE-ELEMENTEN ②

- A Steunschijf voor meervoudig schuren
- B Steunschijf voor willekeurig pendelschuren
- C Voetplaat voor schuurhulpstukken\*
- D Steunschijfschroef
- E Zeskantsleutel
- F Schakelaar met twee snelheden
- G Delta-punt
- H Louvre schuurhulpstuk\*
- J Flexibel schuurhulpstuk\*

- K Vingerschuurhulpstuk\*
- L Knop voor monteren van schuurhulpstukken\*
- M Stofcontainer
- N Knop voor verwijderen stofcontainer
- P Aansluitstuk voor stofzuiger
- Q Ventilatie-openingen

\* NIET STANDAARD MEEGELEVERD

## VEILIGHEID

### ALGEMENE VEILIGHEIDSVOORSCHRIFTEN

**⚠ LET OP! Lees alle veiligheidswaarschuwingen en alle voorschriften.** Als de waarschuwingen en voorschriften niet worden opgevolgd, kan dit een elektrische schok, brand of ernstig letsel tot gevolg hebben. **Bewaar alle waarschuwingen en voorschriften voor toekomstig gebruik.** Het in de waarschuwingen gebruikte begrip "elektrisch gereedschap" heeft betrekking op elektrische gereedschappen voor gebruik op het stroomnet (met netsnoer) en op elektrische gereedschappen voor gebruik met een accu (zonder netsnoer).

### 1) VEILIGHEID VAN DE WERKOMGEVING

- a) **Houd uw werkomgeving schoon en opgeruimd.** Een rommelige of onverlichte werkomgeving kan tot ongevallen leiden.
- b) **Werk met het gereedschap niet in een omgeving met explosiegevaar waarin zich brandbare vloeistoffen, gasen of stof bevinden.** Elektrische gereedschappen veroorzaken vonken die het stof of de dampen tot ontsteking kunnen brengen.
- c) **Houd kinderen en andere personen tijdens het gebruik van het elektrische gereedschap uit de buurt.** Wanneer u wordt afgeleid, kunt u de controle over het gereedschap verliezen.

### 2) ELEKTRISCHE VEILIGHEID

- a) **De aansluitstekker van het gereedschap moet in het stopcontact passen. De stekker mag in geen geval worden veranderd. Gebruik geen adapterstekkers in combinatie met geaarde gereedschappen.** Onveranderde stekkers en passende stopcontacten beperken het risico van een elektrische schok.
- b) **Voorkom aanraking van het lichaam met geaarde oppervlakken, bijvoorbeeld van buizen, verwarmingen, fornuizen en koelkasten.** Er bestaat een verhoogd risico door een elektrische schok wanneer uw lichaam geaard is.
- c) **Houd het gereedschap uit de buurt van regen en vocht.** Het binnendringen van water in het elektrische gereedschap vergroot het risico van een elektrische schok.
- d) **Gebruik de kabel niet voor een verkeerd doel, om het gereedschap te dragen of op te hangen of om de stekker uit het stopcontact te trekken. Houd de kabel uit de buurt van hitte, olie, scherpe randen en bewegende gereedschapsdelen.** Beschadigde of in de war geraakte kabels vergroten het risico van een elektrische schok.
- e) **Wanneer u buitenshuis met elektrisch gereedschap werkt, dient u alleen verlengkabels te gebruiken**



- die voor gebruik buitenshuis zijn goedgekeurd. Het gebruik van een voor gebruik buitenshuis geschikte verlengkabel beperkt het risico van een elektrische schok.
- f) **Als het gebruik van het elektrische gereedschap in een vochtige omgeving onvermijdelijk is, dient u een aardlekschakelaar te gebruiken.** Het gebruik van een aardlekschakelaar vermindert het risico van een elektrische schok.
- 3) **VEILIGHEID VAN PERSONEN**
- a) **Wees alert, let goed op wat u doet en ga met verstand te werk bij het gebruik van het elektrische gereedschap. Gebruik het gereedschap niet wanneer u moe bent of onder invloed staat van drugs, alcohol of medicijnen.** Een moment van onoplettendheid bij het gebruik van het gereedschap kan tot ernstige verwondingen leiden.
- b) **Draag persoonlijke beschermende uitrusting en altijd een veiligheidsbril.** Het dragen van persoonlijke beschermende uitrusting zoals een stofmasker, slipvaste werkschoenen, een veiligheidshelm of gehoorbescherming, afhankelijk van de aard en het gebruik van het elektrische gereedschap, vermindert het risico van verwondingen.
- c) **Voorkom per ongeluk inschakelen. Controleer dat het elektrische gereedschap uitgeschakeld is voordat u de stekker in het stopcontact steekt of de accu aansluit en voordat u het gereedschap oppakt of draagt.** Wanneer u bij het dragen van het elektrische gereedschap uw vinger aan de schakelaar hebt of wanneer u het gereedschap ingeschakeld op de stroomvoorziening aansluit, kan dit tot ongevallen leiden.
- d) **Verwijder instelgereedschappen of schroefsleutels voordat u het gereedschap inschakelt.** Een instelgereedschap of sleutel in een draaiend deel van het gereedschap kan tot verwondingen leiden.
- e) **Probeer niet ver te reiken. Zorg ervoor dat u stevig staat en steeds in evenwicht blijft.** Daardoor kunt u het gereedschap in onverwachte situaties beter onder controle houden.
- f) **Draag geschikte kleding. Draag geen loshangende kleding of sieraden. Houd haren, kleding en handschoenen uit de buurt van bewegende delen.** Loshangende kleding, sieraden en lange haren kunnen door bewegende delen worden meegenomen.
- g) **Wanneer stofafzuigings- of stofopvangvoorzieningen kunnen worden gemonteerd, dient u zich ervan te verzekeren dat deze zijn aangesloten en juist worden gebruikt.** Het gebruik van een stofafzuiging beperkt het gevaar door stof.
- 4) **GEBRUIK EN ONDERHOUD VAN ELEKTRISCHE GEREEDSCHAPPEN**
- a) **Overbelast het gereedschap niet. Gebruik voor uw werkzaamheden het daarvoor bestemde elektrische gereedschap.** Met het passende elektrische gereedschap werkt u beter en veiliger binnen het aangegeven capaciteitsbereik.
- b) **Gebruik geen elektrisch gereedschap waarvan de schakelaar defect is.** Elektrisch gereedschap dat niet meer kan worden in- of uitgeschakeld, is gevaarlijk en moet worden gerepareerd.
- c) **Trek de stekker uit het stopcontact of neem de accu uit het elektrische gereedschap voordat u**

- het gereedschap instelt, toebehoren wisselt of het gereedschap weglegt.** Deze voorzorgsmaatregel voorkomt onbedoeld starten van het gereedschap.
- d) **Bewaar niet-gebruikte elektrische gereedschappen buiten bereik van kinderen. Laat het gereedschap niet gebruiken door personen die er niet mee vertrouwd zijn en deze aanwijzingen niet hebben gelezen.** Elektrische gereedschappen zijn gevaarlijk wanneer deze door onervaren personen worden gebruikt.
- e) **Verzorg het gereedschap zorgvuldig. Controleer of bewegende delen van het gereedschap correct functioneren en niet vastklemmen en of onderdelen zodanig gebroken of beschadigd zijn dat de werking van het gereedschap nadelig wordt beïnvloed. Laat beschadigde delen repareren voordat u het gereedschap gebruikt.** Veel ongevallen hebben hun oorzaak in slecht onderhouden elektrische gereedschappen.
- f) **Houd snijdende inzetgereedschappen scherp en schoon.** Zorgvuldig onderhouden snijdende inzetgereedschappen met scherpe snijkanten klemmen minder snel vast en zijn gemakkelijker te geleiden.
- g) **Gebruik elektrische gereedschappen, toebehoren, inzetgereedschappen en dergelijke volgens deze aanwijzingen. Let daarbij op de arbeidsomstandigheden en de uit te voeren werkzaamheden.** Het gebruik van elektrische gereedschappen voor andere dan de voorziene toepassingen kan tot gevaarlijke situaties leiden.
- 5) **SERVICE**
- a) **Laat het gereedschap alleen repareren door gekwalificeerd en vakkundig personeel en alleen met originele vervangingsonderdelen.** Daarmee wordt gewaarborgd dat de veiligheid van het gereedschap in stand blijft.

## VEILIGHEIDSVOORSCHRIFTEN VOOR SCHUURMACHINES

- Voorkom schade, die kan ontstaan door schroeven, spijkers en andere voorwerpen in uw werkstuk; verwijder deze, voordat u aan een karwei begint
- Houd het snoer altijd verwijderd van de bewegende delen van uw machine; richt het snoer naar achteren, van de machine weg
- **Zet het werkstuk vast** (een werkstuk, dat is vastgezet met klemmen of in een bankschroef, zit steviger vast dan wanneer het met de hand wordt vastgehouden)
- Als u de machine wegzet moet de motor uitgeschakeld zijn en de bewegende delen tot stilstand zijn gekomen
- Gebruik volledig uitgerolde en veilige verlengsnoeren met een capaciteit van 16 Ampère
- In geval van elektrische of mechanische storing, de machine onmiddellijk uitschakelen en de stekker uit het stopcontact trekken
- SKIL kan alleen een correcte werking van de machine garanderen, indien originele accessoires worden gebruikt
- Deze machine mag niet worden gebruikt door personen onder de 16 jaar
- Tijdens het werken kan het geluidsniveau 85 dB(A) overschrijden; draag oorbeschermers

- Raak het snoer niet aan, als dit tijdens de werkzaamheden wordt beschadigd of doorgesneden, maar trek onmiddellijk de stekker uit het stopcontact
- Gebruik de machine niet, wanneer het snoer beschadigd is; laat dit door een erkende vakman vervangen
- Controleer altijd of het voltage, dat vermeld staat op het typeplaatje van de machine, overeenkomt met de netspanning (met 230V of 240V aangeduide machines kunnen ook op 220V aangesloten worden)
- Deze machine is niet geschikt voor schuren met water
- **Bewerk geen asbesthoudend materiaal** (asbest geldt als kankerverwekkend)
- Stof van materiaal zoals loodhoudende verf, sommige houtsoorten, mineralen en metaal kunnen schadelijk zijn (contact met of inademing van de stof kan allergische reacties en/of ademhalingsziekten bij gebruiker of omstanders veroorzaken); **draag een stofmasker en werk met een stofopvang-voorziening als die kan worden aangesloten**
- Bepaalde soorten stof zijn geclassificeerd als kankerverwekkend (zoals stof van eiken en beuken), met name in combinatie met toevoegingsmiddelen voor houtverzorging; **draag een stofmasker en werk met een stofopvang-voorziening als die kan worden aangesloten**
- Neem voor de door u te bewerken materialen de nationale voorschriften aangaande stofopvang in acht
- Bij het schuren van metaal ontstaan vonken; gebruik de stofcontainer/stofzuiger niet en houd andere personen en brandbaar materiaal van het werkgebied weg
- Kom niet in aanraking met het draaiend schuurpapier
- Gebruik versleten, gescheurd of ernstig beschadigd schuurpapier niet meer
- Draag beschermende handschoenen, veiligheidsbril, nauw sluitende kleding en haarbescherming (bij lange haren)
- **Trek altijd de stekker uit het stopcontact voordat u een instelling verandert of een accessoire verwisselt**

## GEBRUIK

- Steunschijven
  - gebruik uw machine nooit zonder steunschijf A of B of voetplaat C
  - gebruik voor elke bewerking de juiste steunschijf (zie: Toepassingsadvies)
- **! vervang beschadigde steunschijven onmiddellijk**
- Steunschijven vervangen ④
  - verwijder VELCRO-schuurpapier
  - verwijder steunschijfschroef D met zeskantsleutel E
  - monteer steunschijf A of B zoals afgebeeld
  - indien nodig, steunschijf eerst schoonmaken
  - zet steunschijfschroef D vast met zeskantsleutel E
- **! houd de steunschijf stevig vast tijdens het los-/vastdraaien van steunschijfschroef D**
- **! trek de stekker uit het stopcontact voordat u steunschijven verwijdt/bevestigt**
- **! steunschijfschroef D wordt heet tijdens gebruik; raak het niet aan voordat het is afgekoeld**
- Bevestigen van schuurpapier ⑤
  - **! trek de stekker uit het stopcontact**
  - breng VELCRO-schuurpapier aan zoals afgebeeld

**! ten behoeve van stofafzuiging altijd geperforeerd schuurpapier gebruiken**

**! perforatie van het schuurpapier moet corresponderen met perforatie in de schuurvoet**  
**! vervang versleten schuurpapier tijdig**

**! gebruik de machine alleen wanneer het hele schuuroppervlak met schuurpapier bedekt is**

- Schakelaar met twee snelheden ⑥
  - schakel machine aan/uit door schakelaar F ② naar voren/achteren te schuiven (3 standen)
  - 0 = uit
  - 1 = laag toerental
  - 2 = hoog toerental
  - kies stand 1 voor nauwkeurig schuren (als u met de driehoekspunt G of speciale schuurhulpstukken H, J of K werkt)
  - kies stand 2 voor snel schuren

**! voordat het schuuroppervlak in aanraking komt met het werkstuk, moet u de machine aanzetten**

**! voordat u de machine uitschakelt, dient u deze van het werkstuk op te lichten**

- Monteren van de speciale schuurhulpstukken (**niet standaard meegeleverd**) ⑦
  - monteer voetplaat C (vergelijkbaar met het monteren van steunschijven)
  - monteer het hulpstuk H, J of K op de voetplaat C en zet deze vast door de knop L met de wijzers van de klok mee te draaien
  - breng bijbehorend VELCRO-schuurpapier aan op schuurhulpstuk
  - verwijder hulpstukken of wijzig hun stand door de knop L tegen de wijzers van de klok in te draaien
  - 5 schuur-posities
- Stofafzuiging ⑧
  - ledig stofcontainer M regelmatig voor optimale stofafzuiging

Voor gebruik van stofzuiger

- verwijder stofcontainer M door knop N in te drukken en in die positie te houden terwijl u de stofcontainer naar achteren trekt
- sluit een stofzuiger aan op aansluitstuk P
- **! gebruik stofcontainer/stofzuiger niet bij het schuren van metaal**

- Vasthouden en leiden van de machine ⑨
  - geleid uw machine parallel aan het werkoppervlak
  - **! oefen niet te veel druk uit op de machine; laat het schuuroppervlak het werk voor u doen**
  - zet uw machine niet schuin op het werkstuk ter voorkoming van ongewenste schuursporen
  - **! houd de machine tijdens het werk altijd vast bij het(de) grijs-gekleurde greepvlak(ken)**
  - houd ventilatie-openingen Q ② onbedekt

## TOEPASSINGSADVIES

- Gebruik de machine met de driehoekspunt naar voren gericht als uw werkstuk randen en smalle of anderszins moeilijk bereikbare plaatsen heeft ⑩
- Gebruik de machine met de platte kant naar voren gericht voor lange schuurbewegingen op vlakke oppervlakken ⑪

- Gebruik de machine voor het schuren van gebogen werkstukken en voor het schuren met een groot afnamevermogen in combinatie met de steunschijf A ②
- Gebruik de machine met de speciale schuurhulpstukken voor moeilijk bereikbare plaatsen ⑫
- Het flexibele schuurhulpstuk is bedoeld voor
  - afronden van oppervlakken met een rand ⑬a
  - alle ronde oppervlakken met een maximum-diameter van 10 cm ⑬b
- Als de delta-punt G versleten of beschadigd is aan de punt, dan kunt u de levensduur tweemaal verlengen door deze er af te halen, 120° te draaien en weer terug te plaatsen (ook van toepassing op het delta-schuurpapier) ⑭
- Gebruik nooit hetzelfde schuurpapier voor hout en metaal
- Aanbevolen schuurpapierkorrel:
 

grof	- voor verwijderen van verf; voor schuren van uiterst ruw hout
middel	- voor schuren van ruw of gewoon hout
fijn	- voor glad maken van hout; voor afwerken van kaal hout; voor glad maken van oppervlakken met oude verf
- Gebruik verschillende korrelgroottes, wanneer het te schuren oppervlak ruw is:
  - begin te schuren met korrel grof of middel
  - eindig met korrel fijn
- Voor meer tips zie [www.skil.com](http://www.skil.com)

## ONDERHOUD / SERVICE

- Deze machine is niet bedoeld voor professioneel gebruik
- Houd machine en snoer altijd schoon (met name de ventilatie-openingen Q ②)
  - veeg achtergebleven schuurstof met een kwast weg
- **! trek de stekker uit het stopcontact vóór het reinigen**
- Mocht het elektrische gereedschap ondanks zorgvuldige fabricage- en testmethoden toch defect raken, dient de reparatie te worden uitgevoerd door een erkende klantenservice voor SKIL elektrische gereedschappen
  - stuur de machine **ongedemonteerd**, samen met het aankoopbewijs, naar het verkoopadres of het dichtstbijzijnde SKIL service-station (de adressen evenals de onderdelentekening van de machine vindt u op [www.skil.com](http://www.skil.com))

## MILIEU

- **Geef electrisch gereedschap, accessoires en verpakkingen niet met het huisvuil mee** (alleen voor EU-landen)
  - volgens de Europese richtlijn 2002/96/EG inzake oude electrische en electronische apparaten en de toepassing daarvan binnen de nationale wetgeving, dient afgedankt electrisch gereedschap gescheiden te worden ingezameld en te worden afgevoerd naar een recycle-bedrijf, dat voldoet aan de geldende milieu-eisen
  - symbool ⑮ zal u in het afdankstadium hieraan herinneren

## CE-CONFORMITEITSVERKLARING

- Wij verklaren, dat dit product voldoet aan de volgende normen of normatieve documenten: EN 60745, EN 61000, EN 55014, overeenkomstig de bepalingen van de richtlijnen 2004/108/EG, 2006/42/EG, 2011/65/EU
- **Technisch dossier bij:** SKIL Europe BV (PT-SEU/ENG1), 4825 BD Breda, NL

Marijn van der Hoofden  
Operations & Engineering

Olaf Dijkgraaf  
Approvals Manager




SKIL Europe BV, 4825 BD Breda, NL  
19.08.2013

## GELUID/VIBRATIE

- Gemeten volgens EN 60745 bedraagt het geluidsdrukniveau van deze machine 75 dB(A) en het geluidsvermogen-niveau 86 dB(A) (standaard deviatie: 3 dB), en de vibratie 10,7 m/s<sup>2</sup> (hand-arm methode; onzekerheid K = 1,5 m/s<sup>2</sup>)
- Het trillingsemissieniveau is gemeten in overeenstemming met een gestandaardiseerde test volgens EN 60745; deze mag worden gebruikt om twee machines met elkaar te vergelijken en als voorlopige beoordeling van de blootstelling aan trilling bij gebruik van de machine voor de vermelde toepassingen
  - gebruik van de machine voor andere toepassingen, of met andere of slecht onderhouden accessoires, kan het blootstellingsniveau aanzienlijk **verhogen**
  - wanneer de machine is uitgeschakeld of wanneer deze loopt maar geen werk verricht, kan dit het blootstellingsniveau aanzienlijk **reduceren**
- **! bescherm uzelf tegen de gevolgen van trilling door de machine en de accessoires te onderhouden, uw handen warm te houden en uw werkwijze te organiseren**

S

## Multislipmaskin

7220

## INTRODUKTION

- Denna maskin är avsett för torrslipning av trä, målade ytor, plast och fyllmassa
- Det här verktyget är inte avsedd för yrkesmässig användning
- Läs och spara denna instruktionsbok ③

## TEKNISKA DATA ①

## VERKTYGSELEMENT ②

- A Underlagsplatta för multislipning
- B Underlagsplatta för slipning med cirkelrörelser
- C Bottenplatta för sliptillsatser\*
- D Plattskruv
- E Sexkantsnyckel
- F Omkopplare för två hastigheter

- G Deltaspets
- H Jalusitillsats\*
- J Flexibel slitpillsats\*
- K Fingertillsats\*
- L Vred för montering av slitpillsatser\*
- M Dammuppsamlare
- N Knapp för löstagning av dammuppsamlaren
- P Anslutning för dammsugare
- Q Ventilationsöppningar

\* INGÅR EJ SOM STANDARD

## SÄKERHET

### ALLMÄNNA SÄKERHETSANVISNINGAR

**⚠ OBS! Läs noga igenom alla anvisningar.** Fel som uppstår till följd av att anvisningarna nedan inte följts kan orsaka elstöt, brand och/eller allvarliga kroppsskador. **Förvara alla varningar och anvisningar för framtida bruk.** Nedan använt begrepp "elverktyg" hänför sig till nätdrivna elverktyg (med nätsladd) och till batteridrivna elverktyg (sladdlösa).

#### 1) ARBETSPLATSSÄKERHET

- a) **Håll arbetsplatsen ren och välbelyst.** Oordning på arbetsplatsen eller dåligt belyst arbetsområde kan leda till olyckor.
- b) **Använd inte elverktyget i explosionsfarlig omgivning med brännbara vätskor, gaser eller damm.** Elverktygen alstrar gnistor som kan antända dammet eller gaserna.
- c) **Håll under arbetet med elverktyget barn och obehöriga personer på betryggande avstånd.** Om du störs av obehöriga personer kan du förlora kontrollen över elverktyget.

#### 2) ELEKTRISK SÄKERHET

- a) **Elverktygets stickpropp måste passa till vägguttaget. Stickproppen får absolut inte förändras. Använd inte adapterkontakter tillsammans med skyddsgjordade elverktyg.** Oförändrade stickproppar och passande vägguttag reducerar risken för elektriskt slag.
- b) **Undvik kroppskontakt med jordade ytor som t. ex. rör, värmelement, spisar och kylskåp.** Det finns en större risk för elektriskt slag om din kropp är jordad.
- c) **Skydda elverktyget mot regn och väta.** Tränger vatten in i ett elverktyg ökar risken för elektriskt slag.
- d) **Missbruka inte nätsladden och använd den inte för att bära eller hänga upp elverktyget och inte heller för att dra stickproppen ur vägguttaget. Håll nätsladden på avstånd från värme, olja, skarpa kanter och rörliga maskindelar.** Skadade eller tilltrasslade ledningar ökar risken för elektriskt slag.
- e) **När du arbetar med ett elverktyg utomhus använd endast förlängningssladdar som är godkända för utomhusbruk.** Om en lämplig förlängningssladd för utomhusbruk används minskar risken för elektriskt slag.
- f) **Använd en jordfelsbrytare om det inte är möjligt att undvika elverktygets användning i fuktig miljö.** Genom att använda en jordfelsbrytare minskar risken för elstöt.

#### 3) PERSONSÄKERHET

- a) **Var uppmärksam, kontrollera vad du gör och använd elverktyget med förnuft. Använd inte elverktyget när du är trött eller om du är påverkad av droger, alkohol eller mediciner.** Under användning av elverktyg kan även en kort ouppmärksamhet leda till allvarliga kroppsskador.
  - b) **Bär alltid personlig skyddsutrustning och skyddsglasögon.** Användning av personlig skyddsutrustning som t. ex. dammfiltermask, halkfria säkerhetsskor, skyddshjäl och hörselskydd reducerar alltefter elverktygets typ och användning risken för kroppsskada.
  - c) **Undvik oavsiktlig igångsättning. Kontrollera att elverktyget är fränkopplat innan du ansluter stickproppen till vägguttaget och/eller ansluter/tar bort batteriet, tar upp eller bär elverktyget.** Om du bär elverktyget med fingret på strömställaren eller ansluter påkopplat elverktyg till nätströmmen kan olycka uppstå.
  - d) **Ta bort alla inställningsverktyg och skruvnycklar innan du kopplar på elverktyget.** Ett verktyg eller en nyckel i en roterande komponent kan medföra kroppsskada.
  - e) **Överskatta inte din förmåga. Se till att du står stadigt och håller balansen.** I detta fall kan du lättare kontrollera elverktyget i oväntade situationer.
  - f) **Bär lämpliga kläder. Bär inte löst hängande kläder eller smycken. Håll håret, kläderna och handskarna på avstånd från rörliga delar.** Löst hängande kläder, smycken och långt hår kan dras in av roterande delar.
  - g) **Vid elverktyg med dammutsugnings- och uppsamlingsutrustning kontrollera att anordningarna är rätt monterade och används på korrekt sätt.** Användning av dammutsugning minskar de risker damm orsakar.
- #### 4) OMSORGSFULL HANTERING OCH ANVÄNDNING AV ELVERKTYG
- a) **Överbelasta inte elverktyget. Använd för aktuellt arbete avsett elverktyg.** Med ett lämpligt elverktyg kan du arbeta bättre och säkrare inom angivet effektområde.
  - b) **Ett elverktyg med defekt strömställare får inte längre användas.** Ett elverktyg som inte kan kopplas in eller ur är farligt och måste repareras.
  - c) **Dra stickproppen ur vägguttaget och/eller ta bort batteriet innan inställningar utförs, tillbehörskomponenter byts ut eller elverktyget lagras.** Denna skyddsåtgärd förhindrar oavsiktlig inkoppling av elverktyget.
  - d) **Förvara elverktygen oåtkomliga för barn. Låt elverktyget inte användas av personer som inte är förtrogna med dess användning eller inte läst denna anvisning.** Elverktygen är farliga om de används av oerfarna personer.
  - e) **Sköt elverktyget omsorgsfullt. Kontrollera att rörliga komponenter fungerar felfritt och inte kärvar, att komponenter inte brustit eller skadats; orsaker som kan leda till att elverktygets funktioner påverkas menligt. Låt skadade delar repareras innan elverktyget återanvänds.** Många olyckor orsakas av dåligt skötta elverktyg.
  - f) **Håll skärverktygen skarpa och rena.** Omsorgsfullt skötta skärverktyg med skarpa eggar kommer inte så lätt i kläm och går lättare att styra.
  - g) **Använd elverktyget, tillbehör, insatsverktyg**

osv. enligt dessa anvisningar. Ta hänsyn till arbetsvillkoren och arbetsmomenten. Används elverktyget på icke ändamålsenligt sätt kan farliga situationer uppstå.

## 5) SERVICE

- a) Låt elverktyget repareras endast av kvalificerad fackpersonal och med originalreservdelar. Detta garanterar att elverktygets säkerhet upprätthålls.

## SÄKERHETSANVISNINGAR FÖR SLIPMASKINER

- Undvik skador genom att ta bort skruvar, spikar eller andra föremål ur arbetsstycket; ta dem bort innan du startar ett arbete
- Håll alltid sladden på säkert avstånd från rörliga maskindelar; för sladden bakåt bort från maskinen
- **Sätt fast arbetsstycket** (ett arbetsstycke fastsatt med skruvtingar eller i ett skruvstäd är mera stabilt än om det hålls fast för hand)
- När du ställer ifrån dig maskinen måste motorn vara fränslagen och de rörliga delarna ska ha stannat fullständigt
- Använd helt uttrullade och säkra förlängningssladdar med kapacitet på 16 A
- I händelse av onormala elektriska eller mekaniska störningar, stäng genast av maskinen och dra ur stickkontakten
- SKIL kan endast garantera att maskinen fungerar felfritt om originaltillbehör används
- Den här maskinen ska inte användas av personer under 16 år
- Ljudnivån vid arbete kan överskrida 85 dB(A); använd hörselskydd
- Skadas eller kapas nätsladden under arbetet, rör inte vid sladden utan dra genast ur stickkontakten
- Använd ej maskinen om sladden är trasig; låt den byta ut av en kvalificerad person
- Kontrollera alltid att den tillförda strömtypen stämmer med spänningen som anges på maskinens märkplåt (maskiner med beteckningen 230V eller 240V kan även anslutas till 220V)
- Denna maskin är inte lämplig till vattenslipning
- **Asbesthaltigt material får inte bearbetas** (asbest anses vara cancerframkallande)
- Vissa typ av damm, exempelvis färg som innehåller bly, vissa träsorter, mineraler och metaller kan vara hälsovådliga om de inhaleras (hudkontakt eller inhalering kan ge allergisk reaktion och/eller luftvägsproblem/sjukdom hos personer i närheten); **använd andningsskydd och arbeta med en dammuppsamlare om sådan anslutning finns**
- Vissa typer av damm är klassificerade så som carcinogena (t.ex. ek- och björkdamm) särskilt i kombination med tillsatser för träbehandling; **använd andningsskydd och arbeta med en dammuppsamlare om sådan anslutning finns**
- Följ de nationella krav, som finns angående damm, för de material du skall arbeta med
- Vid slipning av metall bildas gnistor; använd inte dammuppsamlaren/dammsugare och håll andra personer och antändbart material på avstånd från arbetsområdet
- Berör inte roterande slippapper
- Förslitna, rivna eller kraftigt igensatta slippapper får ej

användas

- Använd skyddshandskar, skyddsglasögon, åtsittande kläder och hårnät (för långt hår)
- **Dra alltid ur stickkontakten från väggurtaget innan du gör någon justering eller byter tillbehör**

## ANVÄNDNING

- Underlagsplattor
    - använd aldrig maskinen utan underlagsplatta A eller B eller bottenplatta C
    - använd rätt underlagsplattan för motsvarande användning (se: Användningstips)
  - ! **ersätt omedelbart trasig underlagsplattor**
  - Byta underlagsplatta ④
    - ta bort VELCRO-slippapperet
    - ta bort plattskruv D med sexkantsnyckeln E
    - montera underlagsplattan A eller B enligt bilden
    - om nödvändigt, rengör underlagsplattan först
    - fäst plattskruv D med sexkantsnyckeln E
  - ! **håll fast underlagsplattan ordentligt när plattskruv D lossas/skrivas**
  - ! **drag ur kontakten före borttagning/fastsättning av underlagsplattor**
  - ! **plattskruv D blir varm vid användning - vidrör den inte förrän den har svalnat**
  - Montering av slippapper ⑤
    - ! **drag ur stickkontakten**
    - montera VELCRO-slippapperet enligt bilden
    - ! **dammuppsamlingen kräver perforerat slippapper**
    - ! **perforering i slippappret ska överensstämma med hålen i slipplattan**
    - ! **byt slitna slippapper i tid**
    - ! **använd maskinen alltid med hela slipytan täckt med slippapper**
  - Omkopplare för två hastigheter ⑥
    - sätt på/stäng av maskinen genom att trycka strömbrytaren F ② framåt/bakåt (3 positioner)
    - 0 = från
    - 1 = låg hastighet
    - 2 = hög hastighet
    - välj position 1 för precisionsslipning (vid arbete med deltspets G eller specialslip tillsatser H, J eller K)
    - välj position 2 för snabb slipning
    - ! **innan slipytan sätts till arbetsstycket skall maskinen ha startats**
    - ! **maskinen skall tas bort från arbetsstycket innan den stängs av**
  - Montering av särskilda sliptillsatser (ingår inte som standard) ⑦
    - montera bottenplattan C (liknar montering av underlagsplattor)
    - montera tillsatsen H, J eller K på bottenplattan C och fäst den genom att vrida vredet L medurs
    - montera motsvarande VELCRO-slippapper på tillsatsen
    - ta bort tillsatser eller ändra deras läge genom att vrida vredet L moturs
    - 5 slipningslägen
  - Dammuppsugning ⑧
    - töm dammuppsamlaren M regelbundet för att få bäst dammuppsugning
- För användning med dammsugare

- ta bort dammuppsamlaren M genom att trykke in knappen N og håll den sedan i denna position medan du drar dammuppsamlaren bakåt
- avslut dammsugare till anslutning P

**! använd inte dammuppsamlaren/dammsugare när du slipar metall**

- Fattnng og styrning av maskinen ⑨
- styr maskinen parallellt mot arbetsytan
- ! lägg inte för mycket tryck på maskinen; låt slipytan göra arbetet åt dig**
- luta ej maskinen för att undvika oönskade slipmärken
- ! under arbetet, håll alltid verktyget i det grå greppet**
- håll ventilationsöppningarna Q ② ej övertäckta

## ANVÄNDNINGSTIPS

- Använd maskinen med deltaspetsen pekande framåt för kantförsedda, smala eller på annat sätt svåråtkomliga ytor ⑩
- Använd maskinen med den platta sidan pekande framåt för långa drag på platta ytor ⑪
- För slipning av svängda arbetsytor samt slipning med hög nedslipningseffekt används verktyget i kombination med underlagsplattan A ②
- Använd maskinen med särskilda sliptillsatser för svåråtkomliga ställen ⑫
- Den böjliga sliptillsatsen är avsedd för
  - avrundning av kanter ⑬a
  - alla rundade ytor med en diameter på högst 10 cm ⑬b
- När den deltaspetsen G är sliten eller skadad upptill kan du för långa tiden du kan använda den genom att ta bort den, vrida den 120° og sätta tillbaka den (gäller också deltaslippapperet) ⑭
- Använd aldrig samma slippapper för trä og metall
- Rekommenderade slippapperkorn:
 

grov	- vid borttagning av färg; vid slipning av extremt ohyvlat trä
medium	- vid slipning av hyvlat eller ohyvlat trä
fin	- vid fin-bearbetning av trä; vid yt-behandling av naturträ; vid fin-slipning av ytor med gammal färg
- Använd olika korn vid arbete med ohyvlade ytor:
  - börja slipa med grov eller medium korn
  - avsluta med fin korn
- För fler tips se [www.skil.com](http://www.skil.com)

## UNDERHÅLL / SERVICE

- Det här verktyget är inte avsedd för yrkesmässig användning
- Håll alltid din maskin og sladden ren (speciellt ventilationsöppningarna Q ②)
  - avlägsna med en pensel slipdamm som sätter sig på maskinen
- ! drag ur stickkontakten innan rengöring**
- Om i elverktyget trots exakt tillverkning og sträng kontroll störning skulle uppstå, bör reparation utföras av auktoriserad serviceverkstad för SKIL elverktyg
  - sänd in verktyget i **odemonterat skick** tillsammans med inköpsbevis till försäljaren eller till närmaste SKIL serviceverkstad (adresser till servicestationer og sprängskisser av maskiner finns på [www.skil.com](http://www.skil.com))

## MILJÖ

- **Elektriska verktyg, tillbehör og förpackning får inte kastas i hushållssoporna** (gäller endast EU-länder)
  - enligt direktivet 2002/96/EG som avser äldre elektrisk og elektronisk utrustning og dess tillämpning enligt nationell lagstiftning ska uttjänta elektriska verktyg sorteras separat og lämnas till miljövänlig återvinning
  - symbolen ⑮ kommer att påminna om detta när det är tid att kassera

## CE-FÖRSÄKRAN OM ÖVERENSSTÄMMELSE

- Vi intygar og ansvarar för, att denna produkt överensstämmer med följande norm og dokument: EN 60745, EN 61000, EN 55014, enl. bestämmelser och riktlinjerna 2004/108/EG, 2006/42/EG, 2011/65/EU
- **Teknisk tillverkningsdokumentation finns hos:** SKIL Europe BV (PT-SEU/ENG1), 4825 BD Breda, NL

Marijn van der Hoofden  
Operations & Engineering

Olaf Dijkgraaf  
Approvals Manager




SKIL Europe BV, 4825 BD Breda, NL  
19.08.2013

## LJUD/VIBRATION

- Ljudtrycksnivån som uppmätts enligt EN 60745 är på denna maskin 75 dB(A) og ljusteffektivnivån 86 dB(A) (standard deviation: 3 dB), og vibration 10,7 m/s<sup>2</sup> (hand-arm metod; onoggrannhet K = 1,5 m/s<sup>2</sup>)
- Vibrationsemissionsvärdet har uppmätts enligt ett standardiserat test i enlighet med EN 60745; detta värde kan användas för att jämföra vibrationen hos olika verktyg og som en ungefärlig uppskattning av hur stor vibration användaren utsätts för när verktyget används enligt det avsedda syftet
  - om verktyget används på ett annat än det avsedda syftet eller med fel eller dåligt underhållna tillbehör kan detta drastiskt **öka** vibrationsnivån
  - när verktyget stängs av eller är på men inte används, kan detta avsevärt **minska** vibrationsnivån
- ! skydda dig mot vibration genom att underhålla verktyget og dess tillbehör, hålla händerna varma og styra upp ditt arbetssätt**

DK

Multisliber

7220

## INLEDNING

- Dette værktøj er beregnet til tør slibning og finpudsnng af træ, lakerede overflader, plast og spartelmasse
- Dette værktøj er ikke beregnet til professionel brug
- Læs og gem denne betjeningsvejledning ③

## TEKNISKE SPECIFIKATIONER ①

## VÆRKTØJETS DELE ②

- A Sål til multislibning
- B Sål til vilkårlig orbital slibning
- C Bundplade til slibetilbehør\*
- D Sålskrue
- E Sekskantnøgle
- F To-hastighedskontakt
- G Trekantsspids
- H Louvre tilbehør\*
- J Fleksibelt slibetilbehør\*
- K Fingertilbehør\*
- L Knap til monterings-slibetilbehør\*
- M Støvboks
- N Knap til fjernelse af støvboksen
- P Forlænger til støvsuger
- Q Ventilationshuller

\* MEDFØLGER IKKE SOM STANDARD

## SIKKERHED

### GENERALE SIKKERHEDSINSTRUKSER

**⚠ VIGTIGT! Læs alle advarselshenvisninger og instrukser.** I tilfælde af manglende overholdelse af advarselshenvisningerne og instrukserne er der risiko for elektrisk stød, brand og/eller alvorlige kvæstelser. **Opbevar alle advarselshenvisninger og instrukser til senere brug.** Det i advarselshenvisningerne benyttede begreb "el værktøj" refererer til netdrevet el værktøj (med netkabel) og akkudrevet el værktøj (uden netkabel).

#### 1) SIKKERHED PÅ ARBEJDSPLADSEN

- a) **Sørg for, at arbejdsområdet er rent og ryddeligt.** Uorden eller uoplyste arbejdsområder øger faren for uheld.
- b) **Brug ikke maskinen i eksplosionstruede omgivelser, hvor der er brændbare væsker, gasser eller støv.** El-værktøj kan slå gnister, der kan antænde støv eller dampe.
- c) **Sørg for, at andre personer og ikke mindst børn holdes væk fra arbejdsområdet, når maskinen er i brug.** Hvis man distraheres, kan man miste kontrollen over maskinen.

#### 2) ELEKTRISK SIKKERHED

- a) **Maskinens stik skal passe til kontakten. Stikket må under ingen omstændigheder ændres. Brug ikke adapterstik sammen med jordforbundne maskiner.** Uændrede stik, der passer til kontakterne, nedsætter risikoen for elektrisk stød.
- b) **Undgå kropskontakt med jordforbundne overflader som f.eks. rør, radiatorer, komfurer og køleskabe.** Hvis din krop er jordforbundet, øges risikoen for elektrisk stød.
- c) **Maskinen må ikke udsættes for regn eller fugt.** Indtrængning af vand i maskinen øger risikoen for elektrisk stød.
- d) **Brug ikke ledningen til formål, den ikke er beregnet til (f.eks. må man aldrig bære maskinen i ledningen, hænge maskinen op i ledningen eller rykke i ledningen for at trække stikket ud af kontakten).**

**Beskyt ledningen mod varme, olie, skarpe kanter eller maskindele, der er i bevægelse.** Beskadigede eller indviklede ledninger øger risikoen for elektrisk stød.

- e) **Hvis maskinen benyttes i det fri, må der kun benyttes en forlængerledning, der er godkendt til udendørs brug.** Brug af forlængerledning til udendørs brug nedsætter risikoen for elektrisk stød.
  - f) **Hvis det ikke kan undgås at bruge maskinen i fugtige omgivelser, skal der bruges et HFI-relæ.** Brug af et HFI-relæ reducerer risikoen for at få elektrisk stød.
- #### 3) PERSONLIG SIKKERHED
- a) **Det er vigtigt at være opmærksom, se, hvad man laver, og brug maskinen fornuftigt. Man bør ikke bruge maskinen, hvis man er træt, har nydt alkohol eller er påvirket af medicin eller euforiserende stoffer.** Få sekunders uopmærksomhed ved brug af maskinen kan føre til alvorlige personskader.
  - b) **Brug beskyttelsesudstyr og hav altid beskyttelsesbriller på.** Brug af sikkerhedsudstyr som f.eks. støvmaske, skridsikkert fodtøj, beskyttelseshjelm eller høreværn afhængig af maskintype og anvendelse nedsætter risikoen for personskader.
  - c) **Undgå utilsigtet igangsætning. Kontrollér, at el værktøjet er slukket, før du tilslutter det til strømtilførslen og/eller akkuen, løfter eller bærer det.** Undgå at bære el værktøjet med fingeren på afbryderen og sørg for, at el værktøjet ikke er tændt, når det slutes til nettet, da dette øger risikoen for personskader.
  - d) **Fjern indstillingsværktøj eller skruenøgle, inden maskinen tændes.** Hvis et stykke værktøj eller en nøgle sidder i en roterende maskindel, er der risiko for personskader.
  - e) **Overvurder ikke dig selv. Sørg for at stå sikkert, mens der arbejdes, og kom ikke ud af balance.** Det er derved nemmere at kontrollere maskinen, hvis der skulle opstå uventede situationer.
  - f) **Brug egnet arbejdstøj. Undgå løse bekædningsgenstande eller smykker. Hold hår, tøj og handsker væk fra dele, der bevæger sig.** Dele, der er i bevægelse, kan gribe fat i løstsiddende tøj, smykker eller langt hår.
  - g) **Hvis støvudsugnings- og opsamlingsudstyr kan monteres, er det vigtigt at, at dette tilsluttes og benyttes korrekt.** Brug af en støvopsugning nedsætter risikoen for personskader som følge af støv.
- #### 4) OMHYGGE LIG OMGANG MED OG BRUG AF EL-VÆRKTØJ
- a) **Undgå overbelastning af maskinen. Brug altid en maskine, der er beregnet til det stykke arbejde, der skal udføres.** Med den rigtige maskine arbejder man bedst og mest sikkert inden for det angivne effektområde.
  - b) **Brug ikke en maskine, hvis afbryder er defekt.** En maskine, der ikke kan startes og stoppes, er farlig og skal repareres.
  - c) **Træk stikket ud af stikkontakten og/eller fjern akkuen, inden maskinen indstilles, der skiftes tilbehørsdele, eller maskinen lægges fra.** Disse sikkerhedsforanstaltninger forhindrer utilsigtet start af maskinen.

- d) **Opbevar ubenyttet el-værktøj uden for børns rækkevidde. Lad aldrig personer, der ikke er fortrolige med maskinen eller ikke har gennemlæst disse instrukser, benytte maskinen.** El-værktøj er farligt, hvis det benyttes af ukyndige personer.
- e) **Maskinen bør vedligeholdes omhyggeligt. Kontroller, om bevægelige dele fungerer korrekt og ikke sidder fast, og om delene er brækket eller beskadiget, således at maskinens funktion påvirkes. Få beskadigede dele repareret, inden maskinen tages i brug.** Mange uheld skyldes dårligt vedligeholdte maskiner.
- f) **Sørg for, at skæreværktøjer er skarpe og rene.** Omhyggeligt vedligeholdte skæreværktøjer med skarpe skærekanter sætter sig ikke så hurtigt fast og er nemmere at føre.
- g) **Brug el-værktøj, tilbehør, indsatsværktøj osv. iht. disse instrukser. Tag hensyn til arbejdsforholdene og det arbejde, der skal udføres.** I tilfælde af anvendelse af værktøjet til formål, som ligger uden for det fastsatte anvendelsesområde, kan der opstå farlige situationer.
- 5) **SERVICE**
- a) **Sørg for, at maskinen kun repareres af kvalificerede fagfolk, og at der kun benyttes originale reservedele.** Dermed sikres størst mulig maskinsikkerhed.

## SIKKERHEDSINSTRUKSER FOR SLIBEMASKINER

- Undgå skader forårsaget af skruer, søm eller andre materialer i arbejdsstykket; fjern disse før De begynder at arbejde
- Hold altid ledningen væk fra værktøjets bevægelige dele; før altid ledningen bagud, væk fra værktøjet
- **Fastgør emnet** (det er sikrere at holde emner i en fastgøringsanordning eller skruestik end med hånden)
- Efter endt arbejde skal afbryderen afbrydes og alle bevægelige dele være stoppet før værktøjet sættes til side
- Anvend helt udrullede og sikre forlængerledninger med en kapacitet på 16 A
- I tilfælde af elektrisk eller mekanisk fejlfunktion skal afbryderen straks afbrydes og stikket tages ud af kontakten
- SKIL kan kun sikre en korrekt funktion af værktøjet, hvis der benyttes originalt tilbehør
- Dette værktøj må ikke bruges af personer under 16 år
- Under arbejde med værktøjet kan lyd-niveauet overstige 85 dB(A); brug høreværn
- Hvis kablet beskadiges eller skæres over under arbejdet, ikke berør kablet, og straks træk ud stikket
- Brug ikke værktøjet, hvis kablet er beskadiget; få det skiftet ud af en anerkendt fagmand
- Kontrollér altid at forsyningsspændingen er den samme som den spænding, der er anført på værktøjets navneskilt (værktøj med betegnelsen 230V eller 240V kan også tilsluttes til 220V)
- Denne værktøj er ikke egnet til vandslibning
- **Bearbejd ikke asbestholdigt materiale** (asbest er kræftfremkaldende)
- Støv fra materiale som f.eks. maling, der indeholder bly, nogle træsorter, mineraler og metal kan være skadeligt (kontakt med eller indånding af støvet kan

forårsage allergiske reaktioner og/eller sygdomme i luftvejene hos den, der anvender værktøjet, eller hos omkringstående); **bær en støvmaske og arbejd med en støvsugningsanordning, hvor en sådan kan slutes til**

- Visse slags støv er klassificeret som kræftfremkaldende (som f.eks. støv fra eg og bøg) især i forbindelse med tilsætningsstoffer til træbehandling; **bær en støvmaske og arbejd med en støvsugningsanordning, hvor en sådan kan slutes til**
- Følg de nationale krav, hvad angår støv, for de materialer, du ønsker at arbejde med
- Ved slibning af metal, opstår gnister; brug ikke støvboks/støvsuger og hold andre personer, såvel som brandbare materialer væk fra arbejdsstedet
- Undgå berøring med det løbende slibepapir
- Slidte, revnede eller hårdt angrebne slibepapir må ikke benyttes
- Bær beskyttelseshandsker, beskyttelsesbriller, tætsiddende tøj og hårbeskyttelse (for langt hår)
- **Fjern altid først stikket fra kontakten, før De foretager nogle ændringer eller skifter tilbehør**

## BETJENING

- Sål
  - brug aldrig værktøjet uden sål A, B eller bundplade C
  - brug den rigtige type sål til det arbejde der skal udføres (se: Gode råd)
- **! Udskift straks beskadigede såler**
- Udskiftning af såler ④
  - fjern VELCRO-slibepapiret
  - fjern sålskruen D med stiftnøglen E
  - monter sålen A eller B som illustreret
  - hvis nødvendig, rengør først sålen
  - fastgør sålskruen D med stiftnøglen E
- **! hold om sålen med et fast greb, mens du løser/strammer sålskruen D**
- **! træk stikket ud af stikkontakten før sålen fjernes/monteres**
- **! sålskruen D bliver meget varm under brug; rør ikke ved den, før den er kølet af**
- Påsætning af slibepapir ⑤
  - **! træk stikket ud af kontakten**
  - monter VELCRO-slibepapiret som vist på illustrationen
  - **! støvsugning kræver perforeret slibepapir**
  - **! perforeringen i slibepapiret skal passe til perforeringen i sålen**
  - **! skift slibepapiret i tide**
  - **! anvend værktøjet altid med hele slibefloden dækket med slibepapir**
- To-hastighedskontakt ⑥
  - tænd/sluk værktøjet ved at trykke afbryderen F ② fremad/bagover (3 positioner)
  - 0 = sluk
  - 1 = lav omdrejningstal
  - 2 = høj omdrejningstal
  - vælg position 1 til akkurat slibning (når du arbejder med trekantsspids G, specialslibetilbehør HJ eller K)
  - vælg position 2 til hurtig slibning
  - **! tænd for værktøjet før det berører arbejdsemnet**
  - **! før der slukkes for værktøjet, skal det løftes op fra arbejdsemnet**
- Påsætning af specialslibetilbehøret (**medfølger ikke**)



### som standard) ⑦

- monter bundpladen C (tilsvarende til montering af såler)
- monter tilbehør H, J eller K på bundpladen C og fastspænd det ved at dreje knappen L med uret
- monter tilhørende VELCRO-slibepapir til slibetilbehør
- fjern tilbehøret eller skift tilbehørets position ved at dreje knappen L mod uret

### - 5 slibepositioner

### • Støvopsugning ⑧

- tøm støvboks M med regelmæssige mellemrum for optimal støvopsugning

Ved anvendelse af støvsuger

- fjern støvboksen M ved at trykke på knappen N og holde den der, mens støvboksen trækkes tilbage
- monter støvsuger til forlængerstykket P

### ! brug ikke støvboks/støvsuger når metal slibes

### • Håndtering og styring af værktøjet ⑨

- hold altid værktøjet parallelt med emnets overflade

### ! pres ikke for hårdt på værktøjet; lad slibefladen gøre arbejdet for dig

- rejs ikke dit værktøj lodret, hvis slibemærker i emnet vil undgås

### ! under arbejde, hold altid om værktøjet på de grå markerede grebsområde(r)

- hold ventilationshullerne Q ② utildækkede

## GODE RÅD

- Brug værktøjet med deltagsspiden pegende fremad på kanter, snævre og svært tilgængelige steder ⑩
- Brug værktøjet med flade side pegende fremad for lange trækker på flade overflader ⑪
- Ved slibning af kurvede arbejdsflader samt ved slibning med stor afslibningsevne skal du bruge værktøjet i kombination med sålen A ②
- På svært tilgængelige steder bruges værktøjet med dets special-slibetilbehør ⑫
- Den fleksible slibeordination bruges til:
  - afrunding af kantede overflader ⑬a
  - alle afrundede overflader med en max. diameter på 10 cm ⑬b
- Når trekantsspids G er slidt eller beskadiget på overfladen, kan dens levetid fordobles ved at fjerne den, vende den 120° og så sætte den på igen (dette gælder også for trekantsslibepapir) ⑬
- Brug aldrig det samme slibepapir til slibning af metal og træ
- Anbefalet slibepapirkorn:
  - grovt - ved else af maling; ved slibning af meget ru træ
  - mellem - ved slibning af ru eller almindelig træ
  - fin - ved pudning af træ; for pudning af overflader med gammel maling
- Brug forskellige kornstørrelser når arbejdsfladens overflade er ru
  - begynd at slibe med en grov eller mellem kornstørrelse
  - slut med en fin kornstørrelse
- For flere tips se [www.skil.com](http://www.skil.com)

## VEDLIGEHOLDELSE/SERVICE

- Dette værktøj er ikke beregnet til professionelt brug

- Hold værktøjet og ledningen ren (især ventilationshullerne Q ②)
  - fjern fasthængende slibestøv med en pensel
- **! træk stikket ud før rensning**
- Skulle el værktøjet trods omhyggelig fabrikation og kontrol holde op med at fungere, skal reparationen udføres af et autoriseret serviceværksted for SKIL-elektroværktøj
  - send den **uskilte** værktøjet sammen med et købsbevis til forhandleren eller nærmeste SKIL serviceværksted (adresser og reservedelstegning af værktøjet findes på [www.skil.com](http://www.skil.com))

## MILJØ


- **Elværktøj, tilbehør og emballage må ikke bortskaffes som almindeligt affald** (kun for EU-lande)
  - i henhold til det europæiske direktiv 2002/96/EF om bortskaffelse af elektriske og elektroniske produkter og gældende national lovgivning, skal brugt elværktøj indsamles separat og bortskaffes på en måde, der skåner miljøet mest muligt
  - symbolet ⑮ erindrer dig om dette, når udskiftning er nødvendig

## CE-OVERENSSTEMMELSESERKLÆRING

- Vi erklærer under almindeligt ansvar, at dette produkt er i overensstemmelse med følgende normer eller normative dokumenter: EN 60745, EN 61000, EN 55014, i henhold til bestemte melsener i direktiverne 2004/108/EF, 2006/42/EF, 2011/65/EU
- **Teknisk dossier hos:** SKIL Europe BV (PT-SEU/ENG1), 4825 BD Breda, NL

Marijn van der Hoofden  
Operations & Engineering

Olaf Dijkgraaf  
Approvals Manager

  
SKIL Europe BV, 4825 BD Breda, NL  
19.08.2013

## STØJ/VIBRATION

- Måles efter EN 60745 er lydtrykniveau af dette værktøj 75 dB(A) og lydeffektniveau 86 dB(A) (standard deviation: 3 dB), og vibrationsniveauet 10,7 m/s<sup>2</sup> (hånd-arm metoden; usikkerhed K = 1,5 m/s<sup>2</sup>)
- Det vibrationsniveau er målt i henhold til den standardiserede test som anført i EN 60745; den kan benyttes til at sammenligne to stykker værktøj og som en foreløbig bedømmelse af udsættelsen for vibrationer, når værktøjet anvendes til de nævnte formål
  - anvendes værktøjet til andre formål eller med andet eller dårligt vedligeholdt tilbehør, kan dette **øge** udsættelsesniveauet betydeligt
  - de tidsrum, hvor værktøjet er slukket, eller hvor det kører uden reelt at udføre noget arbejde, kan **reducere** udsættelsesniveauet betydeligt
- **! beskyt dig selv imod virkningerne af vibrationer ved at vedligeholde værktøjet og dets tilbehør, ved at holde dine hænder varme og ved at organisere dine arbejdsmønstre**

## INTRODUKSJON

- Dette verktøyet er tenkt brukt til tørrsliping og finpussing av trevirke, malte overflater, plast og fyllmasse
- Dette verktøyet er ikke beregnet på profesjonell bruk
- Les og ta vare på denne brukerveiledningen ③

## TEKNISKE OPPLYSNINGER ①

## VERKTØYELEMENTER ②

- A Bakpute for universalsliping
- B Bakpute for eksentersliping
- C Bunnplate for slipeutstyr\*
- D Puteskrue
- E Sekskantnøkkel
- F Tohastighetsbryter
- G Trekantspiss
- H Sjaluslutstyr\*
- J Fleksibelt slipeutstyr\*
- K Fingerutstyr\*
- L Knapp for montering av slipeutstyr\*
- M Støvboks
- N Knapp for fjerning av støvboks
- P Adapter for støvsuger
- Q Ventilasjonsåpninger

\* IKKE INKLUDERT SOM STANDARD

## SIKKERHET

## GENERELLE SIKKERHETSANVISNINGER

**⚠ OBS! Les gjennom alle advarslene og anvisningene.** Feil ved overholdelsen av advarslene og nedenstående anvisninger kan medføre elektriske støt, brann og/eller alvorlige skader. **Ta godt vare på alle advarslene og informasjonene.** Det nedenstående anvendte uttrykket "elektroverktøy" gjelder for strømdrevne elektroverktøy (med ledning) og batteridrevne elektroverktøy (uten ledning).

## 1) SIKKERHET PÅ ARBEIDSPLASSEN

- a) **Hold arbeidsområdet rent og ryddig.** Rotete arbeidsområder eller arbeidsområder uten lys kan føre til ulykker.
- b) **Ikke arbeid med maskinen i eksplosjonsutsatte omgivelser – der det befinner seg brennbare væsker, gass eller støv.** Elektroverktøy lager gnister som kan antenne støv eller damper.
- c) **Hold barn og andre personer unna når elektroverktøyet brukes.** Hvis du blir forstyrret under arbeidet, kan du miste kontrollen over maskinen.

## 2) ELEKTRISK SIKKERHET

- a) **Støpelet til maskinen må passe inn i stikkontakten. Støpelet må ikke forandres på noen som helst måte. Ikke bruk adapterstøpsler sammen med jordede maskiner.** Bruk av støpsler som ikke er forandret på og passende stikkontakter reduserer

risikoen for elektriske støt.

- b) **Unngå kroppskontakt med jordede overflater slik som rør, ovner, komfyrer og kjøleskap.** Det er større fare ved elektriske støt hvis kroppen din er jordet.
  - c) **Hold maskinen unna regn eller fuktighet.** Dersom det kommer vann i et elektroverktøy, øker risikoen for elektriske støt.
  - d) **Ikke bruk ledningen til andre formål, f.eks. til å bære maskinen, henge den opp eller trekke den ut av stikkontakten. Hold ledningen unna varme, olje, skarpe kanter eller maskindeler som beveger seg.** Med skadede eller opphopede ledninger øker risikoen for elektriske støt.
  - e) **Når du arbeider utendørs med et elektroverktøy, må du kun bruke en skjøteledning som er godkjent til utendørs bruk.** Når du bruker en skjøteledning som er egnet for utendørs bruk, reduseres risikoen for elektriske støt.
  - f) **Hvis det ikke kan unngås å bruke elektroverktøyet i fuktige omgivelser, må du bruke en jordfeilbryter.** Bruk av en jordfeilbryter reduserer risikoen for elektriske støt.
- 3) PERSONSIKKERHET**
- a) **Vær oppmerksom, pass på hva du gjør, gå fornuftig frem når du arbeider med et elektroverktøy. Ikke bruk maskinen når du er trett eller er påvirket av narkotika, alkohol eller medikamenter.** Et øyeblikks uoppmerksomhet ved bruk av maskinen kan føre til alvorlige skader.
  - b) **Bruk personlig verneutstyr og husk alltid å bruke vernebriller.** Bruk av personlig sikkerhetsutstyr som støvmaske, sklifaste arbeidssko, hjelm eller hørselvern – avhengig av type og bruk av elektroverktøyet – reduserer risikoen for skader.
  - c) **Unngå å starte verktøyet ved en feiltagelse. Forviss deg om at elektroverktøyet er slått av før du kobler det til strømmen og/eller batteriet, løfter det opp eller bærer det.** Hvis du holder fingeren på bryteren når du bærer elektroverktøyet eller kobler elektroverktøyet til strømmen i innkoblet tilstand, kan dette føre til uhell.
  - d) **Fjern innstillingsverktøy eller skrunøkler før du slår på elektroverktøyet.** Et verktøy eller en nøkkel som befinner seg i en roterende maskindel, kan føre til skader.
  - e) **Ikke overvurder deg selv. Sørg for å stå stødig og i balanse.** Dermed kan du kontrollere maskinen bedre i uventede situasjoner.
  - f) **Bruk alltid egnede klær. Ikke bruk vide klær eller smykker. Hold hår, tøy og hansker unna deler som beveger seg.** Løstsittende tøy, smykker eller langt hår kan komme inn i deler som beveger seg.
  - g) **Hvis det kan monteres støvavsug- og oppsamlingsinnretninger, må du forvise deg om at disse er tilkoblet og brukes på korrekt måte.** Bruk av et støvavsug reduserer faren på grunn av støv.
- 4) AKTSOM HÅNDTERING OG BRUK AV ELEKTROVERKTØY**
- a) **Ikke overbelast maskinen. Bruk et elektroverktøy som er beregnet til den type arbeid du vil utføre.** Med et passende elektroverktøy arbeider du bedre og sikrere i det angitte effektområdet.
  - b) **Ikke bruk elektroverktøy med defekt på-/avbryter.** Et elektroverktøy som ikke lenger kan slås av eller på, er

- farlig og må repareres.
- c) **Trekk støpselet ut av stikkkontakten og/eller fjern batteriet før du utfører innstillinger på elektroverktøyet, skifter tilbehørsdeler eller legger maskinen bort.** Disse tiltakene forhindrer en utilsiktet startung av maskinen.
  - d) **Elektroverktøy som ikke er i bruk må oppbevares utilgjengelig for barn. Ikke la maskinen brukes av personer som ikke er fortrolig med dette eller ikke har lest disse anvisningene.** Elektroverktøy er farlige når de brukes av uerfarne personer.
  - e) **Vær nøye med vedlikeholdet av maskinen. Kontroller om bevegelige maskindeler fungerer feilfritt og ikke klemmes fast, og om deler er brukket eller skadet, slik at dette innvirker på maskinens funksjon. La skadede deler repareres før maskinen brukes.** Dårlig vedlikeholdte elektroverktøy er årsaken til mange uhell.
  - f) **Hold skjæreverktøyene skarpe og rene.** Godt stelte skjæreverktøy med skarpe skjær setter seg ikke så ofte fast og er lettere å føre.
  - g) **Bruk elektroverktøy, tilbehør, verktøy osv. i henhold til disse anvisningene. Ta hensyn til arbeidsforholdene og arbeidet som skal utføres.** Bruk av elektroverktøy til andre formål enn det som er angitt kan føre til farlige situasjoner.
- 5) **SERVICE**
- a) **Maskinen din skal alltid kun repareres av kvalifisert fagpersonale og kun med originale reservedeler.** Slik opprettholdes maskinens sikkerhet.

## SIKKERHETSANVISNINGER FOR SLIPERE

- Ungå skade p.g.a. skruer, spiker eller andre elementer i arbeidsstykket; fjernes før man starter jobben
- Hold alltid kablen borte fra bevegelige deler på verktøyet; før kablen bakover bort fra verktøyet
- **Sett fast arbeidsstykket** (et arbeidsstykke som er sikret med klemmer, sitter sikrere enn om det holdes fast for hånd)
- Når du setter bort verktøyet må bryteren slås av, bevegelige deler må være helt stoppet
- Bruk helt utrullet og sikker skjøteledning med en kapasitet på 16 A
- I tilfelle en elektrisk eller mekanisk svikt, skal verktøyet med en gang slås av og støpslet trekkes ut
- SKIL kan kun garantere et feilfritt verktøy dersom original-tilbehør brukes
- Verktøyet må ikke brukes av personer under 16 år
- Støynivået under arbeid kan overskride 85 dB(A); bruk hørselvern
- Hvis kablen skades eller kappes under arbeid må kablen ikke berøres, men støpselet straks trekkes ut
- Bruk ikke verktøyet dersom kabel er skadet; få den skiftet ud af en anerkendt fagmand
- Sjekk alltid at tilført spenningen er den samme som oppgitt på verktøyets merkeplate (verktøy som er betegnet med 230V eller 240V kan også koples til et 220V strømuttak)
- Dette verktøyet passer ikke for vannsliping
- **Ikke bearbeid asbestholdig material** (asbest kan fremkalle kreft)
- Støv fra materialer som blyholdig maling, visse tresorter, mineraler og metall kan være skadelig (kontakt med

eller inhalering av støv kan gi allergiske reaksjoner og/eller sykdommer i åndedretsorganene for brukeren eller personer i nærheten); **bruk støvmaske og arbeid med støvfjerningsutstyr når det er mulig**

- Visse typer støv er klassifisert som kreftfremkallende (som f.eks. støv fra eik og bok), spesielt sammen med tilsetningsstoffer for trebehandling; **bruk støvmaske og arbeid med støvfjerningsutstyr når det er mulig**
- Følg de nasjonale krav, når det gjelder støv for de materialer du ønsker å arbeide med
- Ved sliping av metall vil det gnistre; bruk ikke støvboks/støvsuger og hold andre personer og brennbart materiale unna arbeidsområdet
- Ikke berør slipepapiret når det er igang
- Slitte, revnede eller svært belastede slipepapir må ikke brukes videre
- Bruk beskyttelseshansker, vernebriller, tettsittende klær og hårnett (ved langt hår)
- **Ta alltid ut kontakten før du forandrer innstillinger på saken eller skifter tilbehør**

## BRUK

- Rondell
  - bruk aldri verktøyet uten bakpute A eller B, eller bunnplate C
  - bruk riktig bakputen som passer til arbeidsoppgavene (se: Bruker tips)
- ! **skift ødelagte bakputer umiddelbart**
- Skifte bakputer (4)
  - fjern VELCRO (borrelås) slipepapir
  - fjern puteskruen D med sekskantnøkkelen E
  - monter bakputen A eller B som illustrert
  - om nødvendig, rengjør bakputen først
  - fest puteskruen D med sekskantnøkkelen E
- ! **hold bakputen fast mens du løsner/fester puteskruen D**
- ! **ta ut støpselet før fjerning/montering av bakputer**
- ! **puteskruen D blir svært varmt under bruk; ikke ta på det før det er avkjølt**
- Montering av slipepapir (5)
  - ! **trekk ut støpslet av stikkkontakten**
  - monter VELCRO (borrelås) slipepapir som vist
  - ! **støvavsuguet krever perforert slipepapir**
  - ! **perforeringen i slipepapiret må passe til slipeålen**
  - ! **bytt brukte slipepapir i tide**
  - ! **bruk alltid verktøyet med hele slipeflaten dekket med slipepapir**
- Tohastighetsbryter (6)
  - slå på/av verktøyet ved å trykke bryteren F (2 fremover/bakover (3 posisjoner))
  - 0 = på
  - 1 = lav hastighet
  - 2 = høy hastighet
  - velg stilling 1 for nøyaktig sliping (når du arbeider med trekantspiss G eller spesielt slipeutstyr H, J eller K)
  - velg posisjon 2 for rask sliping
  - ! **før slipeflate kommer i kontakt med arbeidsstykket, bør du slå på verktøyet**
  - ! **før verktøyet slås av, løft det bort fra arbeidsstykket**
- Montering av spesielt slipeutstyr (ikke inkludert som standard) (7)

- monter bunnplate C (tilsvarer montering av bakputer)
- monter utstyr H, J eller K på bunnplaten C og fest det ved å dreie knappen L med urviseren
- monter korresponderende VELCRO (borrelås) slipepapir på slipeutstyr
- fjern utstyr eller endre posisjonen til utstyret ved å dreie knappen L mot urviseren
- 5 slipestillinger
- Støvsuging ⑧
  - tøm støvboksen M regelmessig for optimalt støvavsug
- For bruk av støvsuger
  - fjern støvboksen M ved å trykke inn knappen N og hold den inne mens du trekker støvboksen bakover
  - tilkople støvsuger til adapter P
- ! **bruk ikke støvboksen/støvsugeren ved sliping av metall**
- Grep og styring av verktøyet ⑨
  - før verktøyet parallelt med arbeidsoverflaten
- ! **ikke øv for mye press på verktøyet; la slipeflaten gjøre jobben for deg**
- unngå å føre verktøyet på skrå, da dette vil føre til riper
- ! **under arbeid, hold verktøyet alltid i grått(gråe) grepsområde(r)**
- hold ventilasjonsåpningen Q ② utildekket

## BRUKER TIPS

- Bruk verktøyet med delta-spissen pekende fremover for hjørner, kanter eller på svært tilgjengelige steder ⑩
- Bruk verktøyet med den flate siden pekende fremover for lange strøker på flate overflater ⑪
- For sliping av buede arbeidsstykker og sliping med høy slipeeffekt, bruk verktøyet i kombinasjon med en bakpute A ②
- Bruk verktøyet med spesielt slipeutstyr for steder der det er vanskelig å komme til ⑫
- Det allsidige slipeutstyret er tenkt brukt til
  - avrunding av kantflater ⑬a
  - alle runde overflater med en diameter på opptil 10 cm ⑬b
- Når den trekantspiss G blir nedslitt eller skadet i øvre enden, kan du fordoble levetiden ved å fjern den, snu den 120° og sette den på igjen (det samem gjelder for delta slipepapir) ⑭
- Berbeid aldri tre og metall med samme slipepapir
- Anbefalt slipepapir korning:
 

grov	- ved fjerning av maling; ved sliping av ekstremt ujevnt tre
medium	- ved sliping av jevnt eller ujevnt tre
fin	- ved sliping av plane treflater; ved finishing av bare treflater; ved matting av malte flater
- Bruk forskjellig korning når arbeidsflaten er ujevn:
  - start sliping med grov eller medium korning
  - avslutt med fin korning
- Se flere tips på [www.skil.com](http://www.skil.com)

## VEDLIKEHOLD / SERVICE

- Dette verktøyet er ikke beregnet på profesjonell bruk
- Hold alltid verktøyet og kabela ren (spesielt ventilasjonshullene Q ②)
- fjern slipestøv med en pensel

## ! dra ut støpselet før rengjøring

- Hvis elektroverktøyet til tross for omhyggelige produksjons- og kontrollmetoder en gang skulle svikte, må reparasjonen utføres av et autorisert serviceverksted for SKIL-elektroverktøy
  - send verktøyet i **montert** tilstand sammen med kjøpebevis til forhandleren eller nærmeste SKIL servicesenter (adresser liksom service diagram av verktøyet finner du på [www.skil.com](http://www.skil.com))

## MILJØ

- **Kast aldri elektroverktøy, tilbehør og emballasje i husholdningsavfallet** (kun for EU-land)
  - i henhold til EU-direktiv 2002/96/EF om kasserte elektriske og elektroniske produkter og direktivets iverksetting i nasjonal rett, må elektroverktøy som ikke lenger skal brukes, samles separat og returneres til et miljøvennlig gjenvinningsanlegg
  - symbolet ⑮ er påtrykt som en påminnelse når utskifting er nødvendig

## CE SAMSVARERKLÆRING

- Vi erklærer at det er under vårt ansvar at dette produkt er i samsvar med følgende standarder eller standard-dokumenter: EN 60745, EN 61000, EN 55014, i samsvar med reguleringer 2004/108/EF, 2006/42/EF, 2011/65/EU
- **Tekniske underlag hos:** SKIL Europe BV (PT-SEU/ENG1), 4825 BD Breda, NL

Marijn van der Hoofden      Olaf Dijkgraaf  
Operations & Engineering      Approvals Manager




SKIL Europe BV, 4825 BD Breda, NL  
19.08.2013

## STØY/VIBRASJON

- Målt ifølge EN 60745 er lydtryknivået av dette verktøyet 75 dB(A) og lydstyrkenivået 86 dB(A) (standard deviasjon: 3 dB), og vibrasjonsnivået 10,7 m/s<sup>2</sup> (hånd-arm metode; usikkerhet K = 1,5 m/s<sup>2</sup>)
- Det avgitte vibrasjonsnivået er blitt målt i samsvar med en standardisert test som er angitt i EN 60745; den kan brukes til å sammenligne et verktøy med et annet, og som et foreløpig overslag over eksponering for vibrasjoner ved bruk av verktøyet til de oppgavene som er nevnt
  - bruk av verktøyet til andre oppgaver, eller med annet eller mangelfullt vedlikeholdt utstyr, kan gi en vesentlig **økning** av eksponeringsnivået
  - tidsrommene når verktøyet er avslått eller når det går men ikke arbeider, kan gi en vesentlig **reduksjon** av eksponeringsnivået

! **beskytt deg selv mot virkningene av vibrasjoner ved å vedlikeholde verktøyet og utstyret, holde hendene varme og organisere arbeidsmåten din**

## Yhdistelmähiomakone 7220

### ESITTELY

- Koneet on tarkoitettu puun, maalattujen pintojen, muovin ja täyteaineen kuivaa hiomapaperihierontaa ja viimeistelyä varten
- Tämä työkalua ei ole tarkoitettu ammattikäyttöön
- Lue ja säilytä tämä ohjekirja ③

### TEKNISET TIEDOT ①

### LAITTEEN OSAT ②

- A** Hiomalautanen monenlaisen hiontaan  
**B** Hiomalautanen hiontaan satunnaisella heiluriliikkeellä  
**C** Pohjalevy hiomalisävarusteille\*  
**D** Lautasen ruuvi  
**E** Kuusiokoloavain  
**F** Nopeuden valitsin  
**G** Deltakärki  
**H** Sälelisävaruste\*  
**J** Joustava hiomalisävaruste\*  
**K** Sormilisävaruste\*  
**L** Nuppi hiomalisävarusteiden asentamiseen\*  
**M** Pölylaatikko  
**N** Pölylaatikon poistonuppi  
**P** Liitoskappale pölynimurille  
**Q** Ilmanvaihto-aukot

\* EI SISÄLLY VAKIONA

### TURVALLISUUS

#### YLEISET TURVALLISUUSOHJEET

**⚠ HUOMIO!** Lue kaikki turvallisuus- ja muut ohjeet. Turvallisuusohjeiden noudattamisen laiminlyönti saattaa johtaa sähköiskuun, tulipaloon ja/tai vakavaan loukkaantumiseen. **Säilytä kaikki turvallisuus- ja muut ohjeet tulevaisuutta varten.** Turvallisuusohjeissa käytetty käsite "sähkötyökalu" käsittää verkkokäyttöisiä sähkötyökaluja (verkkojohdolla) ja akkukäyttöisiä sähkötyökaluja (ilman verkkojohtoa).

#### 1) TYÖPAIKAN TURVALLISUUS

- Pidä työskentelyalue puhtaana ja hyvin valaistuna.** Työpaikan epäjärjestys tai valaisemattomat työalueet voivat johtaa tapaturmiin.
- Älä työskentele sähkötyökalulla räjähdyssaltiliissa ympäristössä, jossa on palavaa nestettä, kaasua tai pölyä.** Sähkötyökalu muodostaa kipinöitä, jotka saattavat sytyttää pölyn tai höyryt.
- Pidä lapset ja sivulliset loitolla sähkötyökalua käyttäessäsi.** Voit menettää laitteese hallinnan, huomioosi suuntautuessa muualle.

#### 2) SÄHKÖTURVALLISUUS

- Sähkötyökalun pistotulpan tulee sopia pistorasiassa.** Pistotulppaa ei saa muuttaa millään tavalla. Älä käytä mitään pistorasia-adaptoreita maadoitettujen sähkötyökalujen kanssa.

- Alkuperäisessä kunnossa olevat pistotulpat ja sopivat pistorasiat vähentävät sähköiskun vaaraa.
- Vältä koskettamasta maadoitettuja pintoja, kuten putkia, pattereita, liesiä tai jääkaappeja.** Sähköiskun vaara kasvaa, jos kehosi on maadoitettu.
  - Älä aseta sähkötyökalua alttiiksi sateelle tai kosteudelle.** Veden tunkeutuminen sähkötyökalun sisään kasvattaa sähköiskun riskiä.
  - Älä käytä verkkojohtoa väärin. Älä käytä sitä sähkötyökalun kantamiseen, vetämiseen tai pistotulpan irrottamiseen pistorasiasta. Pidä johto loitolla kuumuudesta, öljystä, terävistä reunoista ja liikkuvista osista.** Vahingoittuneet tai sotkeutuneet johdot kasvattavat sähköiskun vaaraa.
  - Käyttäessäsi sähkötyökalua ulkona, käytä ainoastaan ulkokäyttöön soveltuvaa jatkojohtoa.** Ulkokäyttöön soveltuvan jatkojohdon käyttö pienentää sähköiskun vaaraa.
  - Jos sähkötyökalun käyttö kosteassa ympäristössä ei ole vältettävissä, tulee käyttää maavuotokatkaisijaa.** Maavuotokatkaisijan käyttö vähentää sähköiskun vaaraa.
- ### 3) HENKILÖTURVALLISUUS
- Ole valpas, kiinnitä huomiota työskentelyysi ja noudata tervettä järkeä sähkötyökalua käyttäessäsi. Älä käytä sähkötyökalua, jos olet väsynyt tai huumeiden, alkoholin tahi lääkkeiden vaikutuksen alaisena.** Hetken tarkkaamattomuus sähkötyökalua käytettäessä, saattaa johtaa vakavaan loukkaantumiseen.
  - Käytä suojavarusteita. Käytä aina suojalaseja.** Henkilökohtaisen suojavarustuksen käyttö, kuten polynaamarin, luistamattomien turvakengien, suojakypärän tai kuulonsuojaimien, riippuen sähkötyökalun lajista ja käyttötavasta, vähentää loukkaantumisen riskiä.
  - Vältä tahatonta käynnistämistä. Varmista, että sähkötyökalu on poiskytkettynä, ennen kuin liität sen sähköverkkoon ja/tai liität akun, otat sen käteen tai kannat sitä.** Jos kannat sähkötyökalua sormi käynnistyskytkimellä tai kytket sähkötyökalun pistotulpan pistorasiassa, käynnistyskytkimen ollessa käyntiasennossa, altistat itsesi onnettomuuksille.
  - Poista kaikki säätötyökalut ja ruuvitaltat, ennen kuin käynnistät sähkötyökalun.** Työkalu tai avain, joka sijaitsee laitteen pyörivässä osassa, saattaa johtaa loukkaantumiseen.
  - Älä yliarvioi itseäsi. Huolehdi aina tukevasta seisoma-asennosta ja tasapainosta.** Täten voit paremmin hallita sähkötyökalua odottamattomissa tilanteissa.
  - Käytä tarkoitukseen soveltuvia vaatteita. Älä käytä löysiä työvaatteita tai koruja. Pidä hiukset, vaatteet ja käsineet loitolla liikkuvista osista.** Väljät vaatteet, korut ja pitkät hiukset voivat takertua liikkuviin osiin.
  - Jos pölynimu- ja keräilylaitteita voidaan asentaa, tulee sinun tarkistaa, että ne on liitetty ja että ne käytetään oikealla tavalla.** Pölynimulaitteiston käyttö vähentää pölyn aiheuttamia vaaroja.
- ### 4) SÄHKÖTYÖKALUJEN KÄYTTÖ JA HOITO
- Älä ylikuormita laitetta. Käytä kyseiseen työhön tarkoitettua sähkötyökalua.** Sopivaa sähkötyökalua

käyttäen työskentelet paremmin ja varmemmin tehoalueella, jolle sähkötyökalu on tarkoitettu.

- b) **Älä käytä sähkötyökalua, jota ei voida käynnistää ja pysäyttää käynnistyskytkimestä.** Sähkötyökalu, jota ei enää voida käynnistää ja pysäyttää käynnistyskytkimellä, on vaarallinen ja se täytyy korjata.
- c) **Irrota pistotulppa pistorasiasta, ennen kuin suoritat säätöjä, vaihdat tarvikkeita tai siirät sähkötyökalun varastoitavaksi.** Nämä turvatoimenpiteet pienentävät sähkötyökalun tahattoman käynnistysriskin.
- d) **Säilytä sähkötyökalut poissa lasten ulottuvilta, kun niitä ei käytetä. Älä anna sellaisten henkilöiden käyttää sähkötyökalua, jotka eivät tunne sitä tai jotka eivät ole lukeneet tätä käyttöohjetta.** Sähkötyökalut ovat vaarallisia, jos niitä käyttävät kokemattomat henkilöt.
- e) **Hoida sähkötyökalusi huolella.** Tarkista, että liikkuvat osat toimivat moitteettomasti, eivätkä ole puristuksessa sekä, että siinä ei ole murtuneita tai vahingoittuneita osia, jotka saattaisivat vaikuttaa haitallisesti sähkötyökalun toimintaan. Anna korjauttaa mahdolliset viat ennen käyttöönottoa. Monen tapaturman syyt löytyvät huonosti huolletuista laitteista.
- f) **Pidä leikkausterät terävinä ja puhtaina.** Huolellisesti hoidetut leikkaustyökalut, joiden leikkausreunat ovat teräviä, eivät tartu helposti kiinni ja niitä on helpompi hallita.
- g) **Käytä sähkötyökaluja, tarvikkeita, vaihtotyökaluja jne. näiden ohjeiden mukaisesti. Ota tällöin huomioon työolosuhteet ja suoritettava toimenpide.** Sähkötyökalun käyttö muuhun kuin sille määrättyyn käyttöön, saattaa johtaa vaarallisiin tilanteisiin.
- 5) **HUOLTO**
- a) **Anna koulutettujen ammattihenkilöiden korjata sähkötyökalusi ja hyväksy korjauksiin vain alkuperäisiä varaosia.** Täten varmistat, että sähkötyökalu säilyy turvallisena.

## HIOMAKONEEN TURVALLISUUSOHJEET

- Vältä vaaralliset vahingot, jotka voivat aiheutua nauloista, ruuveista tai muista aineista työstettävässä materiaalissa; poista ne ennen työskentelyn aloittamista
- Pidä johto aina poissa työkalun liikkuvien osien läheisyydestä; kohdista johto takaosaa kohti pois työkalusta
- **Kiinnitä työstettävä kappale** (kiinnittimeen tai puristimeen kiinnitetty työstettävä kappale pysyy tukevammin paikoillaan kuin käsin pidettäessä)
- Kun panet koneen pois, sammuta moottori ja varmista, että kaikki liikkuvat osat ovat pysähtyneet
- Käytä täysin rullaamattomia ja turvallisia jatkejohtoja, joiden kapasiteetti on 16 ampeeria
- Jos huomaat sähköisen tai mekaanisen vian, sammuta kone heti ja irrota liitosjohto pistorasiasta
- SKIL pystyy takaamaan työkalun moitteettoman toiminnan vain, kun käytetään alkuperäisiä tarvikkeita
- Tätä työkalua saavat käyttää vain 16 vuotta täyttäneet henkilöt
- Työskennellessä melutaso saattaa ylittää 85 dB(A); jolloin suositellaan kuulosuojaimien käyttöä
- Jos sähköjohto vahingoittuu tai katkeaa työn aikana ei johtoa saa koskettaa, vaan pistotulppa on välittömästi

irrotettava pistorasiasta

- Älä käytä työkalua, kun johto on vioittunut; vaan toimita se valtuutettuun huoltoliikkeeseen
- Tarkista aina, että syöttöjännite on sama kuin työkalun nimilaatan osoittama jännite (työkalut, joiden jännitetaso on 230V tai 240V, voidaan kytkeä myös 220V tason jännitteeseen)
- Tämä kone ei ole tarkoitettu vesihiontaan
- **Älä koskaan työstä asbestipitoista ainetta** (asbestia pidetään karsinogeenisena)
- Materiaaleista, kuten liijypitoinen maali, jotkut puulajit, mineraalit ja metalli, tuleva pöly voi olla vahingollista (kosketuksiin joutuminen pölyn kanssa tai sen sisään hengittäminen voi aiheuttaa käyttäjälle tai sivustakatojille allergiareaktioita ja/tai hengitysvaivoja); **käytä pölynämaria ja työskentele pölynpoistolaitteen kanssa, kun sellainen on liitettävissä**
- Tietyntyyppiset pölyt on luokiteltu karsinogeenisiksi (kuten tammi- ja pyökkipöly) erityisesti puun käsittelyyn käytettävien lisäaineiden yhteydessä; **käytä pölynämaria ja työskentele pölynpoistolaitteen kanssa, kun sellainen on liitettävissä**
- Noudata maakohtaisia pölyn liittyviä sääntöjä
- Metallia hiottaessa syntyy kipinöitä; älä käytä pölylaatikkoa/pölynimuria ja huolehdi siitä, ettei lähellä ole muita henkilöitä eikä tulenarkoja materiaaleja
- Älä koskaan liikkuvaa hiomapaperiin
- Älä jatka kuluneiden, repeytyneiden tai voimakkaasti tukkeutuneiden paperin käyttämistä
- Käytä suojakäsineitä, suojalasit, vartalonmukaista vaateustusta ja suojaa pitkät hiukset
- **Irrota aina pistotulppa pistorasiasta, ennen kuin suoritat laitteelle mitään säätöjä tai vaihdat tarviketta**

## KÄYTTÖ

- Hiomalautanen
  - älä koskaan käytä konetta ilman hiomalautasta A tai B tai pohjalevyä C
  - käytä oikeaa hiomalautasta vastaavaan työkohteeseen (kts. Vinkkejä)
- ! **vaihda vioittunut hiomalautanen heti**
- Hiomalautasten vaihtaminen ④
  - poista VELCRO-hiomapaperi
  - irrota lautasen ruuvi D kuusiokoloavaimella E
  - asenna hiomalautanen A tai B kuten kuvassa
  - puhdista ensin hiomalautanen mikäli tarpeen
  - kiinnitä lautasen ruuvi D kuusiokoloavaimella E
- ! **pidä hiomalautasta tukevasti paikallaan lautasen ruuvia D avatessasi/kiiristäessäsi**
- ! **irrota pistoke pistorasiasta ennenkuin asennat hiomalautasta**
- ! **lautasen ruuvi D kuumenee käytön aikana; älä koske siihen ennen kuin se on jäähtynyt**
- Hiomapaperin kiinnittäminen ⑤
  - ! **vedä pistoke pistorasiasta**
  - kiinnitä VELCRO-hiomapaperi kuvatulla tavalla
  - ! **pölynimu vaatii rei'itetty hiomapaperin käyttöä**
  - ! **hiomapaperin rei'ityksen tulee vastata hiomatason rei'itystä**
  - ! **vaihda hiomapaperi uuteen ajoissa**
  - ! **aina käytä konetta koko hiomapinnan ollessa peitettynä hiomapaperilla**

- Nopeuden valitsin ⑥
  - käynnistä/sammuta koneesi painamalla kytkin F ② eteenpäin/taaksepäin (3 asentoa)
  - 0 = pysäytys
  - 1 = hidas nopeus
  - 2 = suurempi nopeus
- valitse asento 1 tarkkaan hiontaan (työskennellessäsi deltakärjellä G tai erityisillä hiomalisävarusteilla H, J tai K)
  - valitse asento 2 nopeaan hiontaan
- ! koneen tulee olla käynnissä ennen kuin se koskettaa työkalua**
- ! ennen koneen sammuttamista se tulee nostaa irti työkalupaleesta**
- Erityisten hiomalisävarusteiden kiinnittäminen (ei sisälly toimitukseen) ⑦
  - asenna pohjalevy C (vastaa hiomalautasten asennusta)
  - asenna lisävaruste H, J tai K pohjalevyn päälle C ja kiinnitä se kääntämällä nuppia L myötäpäivään
  - kiinnitä vastaava VELCRO-hiomapaperi hiomalisävarusteeseen
  - irrota lisävarusteet tai vaihda niiden paikkaa kääntämällä nuppia L vastapäivään
  - 5 hioma-asentoa
- Pölynimu ⑧
  - tyhjännä pölylaatikko M säännöllisesti optimaalisen pölynimurin saavuttamiseksi
 Voidaksesi käyttää pölynimuria
  - poista pölylaatikko M painamalla nuppia N painettuna samalla kun vedät pölylaatikko taaksepäin
  - liitä pölynimuri liitoskappaleeseen P
- ! älä käytä pölylaatikkoa/pölynimuria metallihionnassa**
- Koneen pitäminen ja ohjaaminen ⑨
  - ohjaa koneen työstettävän pinnan suuntaisesti
- ! älä kohdistaa liian paljon painetta työkaluun, anna sen tehdä työtä puolestasi**
- älä kallista konetta, kallistaminen voi aiheuttaa syviä ei-toivottuja hiontajälkiä
- ! pidä työkalusta kiinni aina työskentelyn aikana harmaan värisestä kädensija(o)sta**
- pidä ilmanvaihto-aukkoja Q ② peittämättöminä

## VINKKEJÄ

- Hiomakärjen osoittaessa eteenpäin käytä työkalua nurkkiin, kapeisiin ja muihin vaikeasti saavutettaviin kohteisiin ⑩
- Hiomakärjen tasaisen sivun osoittaessa eteenpäin käytä työkalua pitkiin vetoihin tasaisilla pinnoilla ⑪
- Hioessasi kaarevia työkalupaleita tai halutessasi poistaa kappaleen pintaa tehokkaasti käytä työkalua yhdessä hiomalautasen kanssa A ⑫
- Käytä työkalua erityisten hiomalisävarusteiden kanssa, kun on hankalaa päästä käsittämään työkohdetta ⑬
- Joustava hiomalisävaruste on tarkoitettu käytettäväksi seuraavissa paikoissa työskenneltäessä
  - reunapintoja pyöristetäessä ⑬a
  - kaikilla sellaisilla pyöristetyillä pinnoilla työskenneltäessä, joiden maksimihalkaisija on 10 cm ⑬b
- Kun deltakärki G on kulunut tai vaurioitunut sen yläosasta, pystyt lisäämään sen käyttöiän kaksinkertaiseksi poistamalla se, kääntämällä

se 120° ja asettamalla se takaisin (koskee myös deltahiomapaperia) ⑭

- Älä koskaan hio puuta ja metallia samalla hiomapaperilla
- Hiomapaperit karkeus suositus:
 

karkea	- poistettaessa maalia; hiottaessa erittäin karkeaa puuta
keskikarkea	- hiottaessa karkeaa tai höylättyä puuta
hieno	- tasoitettaessa maalipintaa; viimeisteltäessä; puuta tai maalipintaa
- Käytä eri hiomapaperikarkeuksia kun hiot karkeaa pintaa:
  - aloita karkealla tai keskikarkealla
  - viimeistele työ hienolla
- Lisävinkejä on tarjolla web-osoitteessa [www.skil.com](http://www.skil.com)

## HOITO / HUOLTO

- Tätä työkalua ei ole tarkoitettu ammattikäyttöön
- Pidä työkalu ja johto puhtaina (varmista erityisesti ilma-aukkojen puhtaus Q ②)
  - poista kiinnitartunut pöly siveltimellä
- ! irrota liitosjohto aina puhdistuksen ajaksi pistorasiasta**
- Jos sähkötyökalussa, huolellisesta valmistuksesta ja koestusmenetelystä huolimatta esiintyy vikaa, tulee korjaus antaa SKIL sopimushuollon tehtäväksi
  - toimita työkalu sitä osiin **purkamatta** lähimpään SKIL-huoltoon (osoitteet ja työkalun huoltokaava ovat tarjolla web-osoitteessa [www.skil.com](http://www.skil.com)) ostotodiste mukaan liitettynä

## YMPÄRISTÖNSUOJELU

- Älä hävitä sähkötyökalua, tarvikkeita tai pakkausta tavallisen kotitalousjätteen mukana** (koskee vain EU-maita)
  - vanhoja sähkö- ja elektroniikkalaitteita koskevan EU-direktiivin 2002/96/ETY ja sen maakohtaisten sovellusten mukaisesti käytetyt sähkötyökalut on toimitettava ongelmajätteen keräyspisteeseen ja ohjattava ympäristöystävälliseen kierrätykseen
  - symboli ⑮ muistuttaa tästä, kun käytöstä poisto tulee ajankohtaiseksi

## CE-VAAIMUSTEN-MUKAISUUSVAKUUTUS

- Todistamme täten ja vastaamme yksin siitä, että tämä tuote on alluuteltujen standardien ja standardoimisasiakirjojen vaatimusten mukainen EN 60745, EN 61000, EN 55014, seuraavien sääntöjen mukaisesti 2004/108/EY, 2006/42/EY, 2011/65/EU
- Tekninen tiedosto kohdasta:** SKIL Europe BV (PT-SEU/ENG1), 4825 BD Breda, NL

Marijn van der Hoofden  
Operations & Engineering

Olaf Dijkgraaf  
Approvals Manager




SKIL Europe BV, 4825 BD Breda, NL  
19.08.2013

## MELU/TÄRINÄ

- Mitattuna EN 60745 mukaan työkalun melutaso on 75 dB(A) ja yleensä työkalun äänen voimakkuus on 86 dB(A) (keskihajonta: 3 dB), ja tärinän voimakkuus 10,7 m/s<sup>2</sup> (käsi-käsivarsitesti; epävarmuus K = 1,5 m/s<sup>2</sup>)
- Tärinäasteittelytaso on mitattu standardin EN 60745 mukaisen standarditestin mukaisesti; sitä voidaan käyttää verrattaessa yhtä laitetta toiseen sekä alustavana tärinälle altistumisen arviona käytettäessä laitetta manituissa käyttötarkoituksissa
  - laitteen käyttö eri käyttötarkoituksiin tai erilaisten tai huonosti ylläpidettyjen lisälaitteiden kanssa voi **lisätä** merkittävästi altistumistasoa
  - laitteen ollessa sammuksissa tai kun se on käynnissä, mutta sillä ei tehdä työtä, altistumistaso voi olla huomattavasti **pienempi**

**! suojaudu tärinän vaikutuksilta ylläpitämällä laite ja sen lisävarusteet, pitämällä kädet lämpiminä ja järjestämällä työmenetelmät**

E

## Multilijadora 7220

### INTRODUCCIÓN

- Esta herramienta está diseñada para el lijado en seco y el acabado de maderas, superficies pintadas, plásticos y rellenos
- Esta herramienta no está concebida para uso profesional
- Lea y conserve este manual de instrucciones ③

### CARACTERÍSTICAS TÉCNICAS ①

### ELEMENTOS DE LA HERRAMIENTA ②

- A Disco de apoyo para lijado multifuncional
- B Disco de apoyo para lijado orbital aleatorio
- C Placa base para accesorios de lijado\*
- D Rosca de disco de apoyo
- E Llave hexagonal
- F Interruptor de dos velocidades
- G Punta delta
- H Accesorio de persiana\*
- J Accesorio de lijado flexible\*
- K Accesorio en punta\*
- L Botón de montaje de accesorios de lijado\*
- M Caja de polvo
- N Botón para retirar la caja de polvo
- P Extensión para el aspirador
- Q Ranuras de ventilación

\* NO INCLUIDO/A DE SERIE

## SEGURIDAD

### INSTRUCCIONES GENERALES DE SEGURIDAD

**⚠ ¡ATENCIÓN!** Lea íntegramente estas advertencias de peligro e instrucciones. En caso de no atenderse a las advertencias de peligro e instrucciones siguientes, ello puede ocasionar una descarga eléctrica, un incendio

y/o lesión grave. **Guardar todas las advertencias de peligro e instrucciones para futuras consultas.** El término "herramienta eléctrica" empleado en las siguientes advertencias de peligro se refiere a herramientas eléctricas de conexión a la red (con cable de red) y a herramientas eléctricas accionadas por acumulador (o sea, sin cable de red).

#### 1) SEGURIDAD DEL PUESTO DE TRABAJO

- a) **Mantenga limpia y bien iluminada su área de trabajo.** El desorden o una iluminación deficiente en las áreas de trabajo pueden provocar accidentes.
- b) **No utilice la herramienta eléctrica en un entorno con peligro de explosión, en el que se encuentren combustibles líquidos, gases o material en polvo.** Las herramientas eléctricas producen chispas que pueden llegar a inflamar los materiales en polvo o vapores.
- c) **Mantenga alejados a los niños y otras personas de su área de trabajo al emplear la herramienta eléctrica.** Una distracción le puede hacer perder el control sobre la herramienta.

#### 2) SEGURIDAD ELÉCTRICA

- a) **El enchufe de la herramienta debe corresponder a la toma de corriente utilizada. No es admisible modificar el enchufe en forma alguna. No emplear adaptadores en herramientas dotadas con una toma de tierra.** Los enchufes sin modificar adecuados a las respectivas tomas de corriente reducen el riesgo de una descarga eléctrica.
- b) **Evite que su cuerpo toque partes conectadas a tierra como tuberías, radiadores, cocinas y refrigeradores.** El riesgo a quedar expuesto a una descarga eléctrica es mayor si su cuerpo tiene contacto con tomas de tierra.
- c) **No exponga las herramientas eléctricas a la lluvia o a condiciones de humedad.** Existe el peligro de recibir una descarga eléctrica si penetran líquidos en la herramienta.
- d) **No utilice el cable de red para transportar o colgar la herramienta, ni tire de él para sacar el enchufe de la toma de corriente. Mantenga el cable de red alejado del calor, aceite, esquinas cortantes o piezas móviles.** Los cables de red dañados o enredados pueden provocar una descarga eléctrica.
- e) **Al trabajar con la herramienta eléctrica en la intemperie utilice solamente cables de prolongación homologados para su uso en exteriores.** La utilización de un cable de prolongación adecuado para su uso en exteriores reduce el riesgo de una descarga eléctrica.
- f) **Si el funcionamiento de una herramienta eléctrica en un lugar húmedo fuese inevitable, utilice un cortacircuito de fuga a tierra.** El uso de un cortacircuito de fuga a tierra reduce el riesgo de descarga eléctrica.

#### 3) SEGURIDAD DE PERSONAS

- a) **Esté atento y emplee la herramienta con prudencia. No utilice la herramienta eléctrica si estuviese cansado, ni bajo los efectos de alcohol, drogas o medicamentos.** El no estar atento durante el uso de una herramienta eléctrica puede provocar serias lesiones.



- b) **Utilice un equipo de protección personal y en todo caso unas gafas de protección.** El riesgo a lesionarse se reduce considerablemente si, dependiendo del tipo y la aplicación de la herramienta eléctrica empleada, se utiliza un equipo de protección adecuado como una mascarilla antipolvo, zapatos de seguridad con suela antideslizante, casco, o protectores auditivos.
- c) **Evite una puesta en marcha fortuita. Asegurarse de que la herramienta eléctrica esté desconectada antes de conectarla a la toma de corriente y/o al montar el acumulador, al recogerla, y al transportarla.** Si transporta la herramienta eléctrica sujetándola por el interruptor de conexión/desconexión, o si introduce el enchufe en la toma de corriente con la herramienta eléctrica conectada, ello puede dar lugar a un accidente.
- d) **Retire las herramientas de ajuste o llaves fijas antes de conectar la herramienta eléctrica.** Una herramienta o llave colocada en una pieza rotativa puede producir lesiones graves al accionar la herramienta eléctrica.
- e) **Sea precavido. Trabaje sobre una base firme y mantenga el equilibrio en todo momento.** Ello le permitirá controlar mejor la herramienta eléctrica en caso de presentarse una situación inesperada.
- f) **Lleve puesta una vestimenta de trabajo adecuada. No utilice vestimenta amplia ni joyas. Mantenga su pelo, vestimenta y guantes alejados de las piezas móviles.** La vestimenta suelta, las joyas y el pelo largo se pueden enganchar con las piezas en movimiento.
- g) **Siempre que sea posible utilizar equipos de aspiración o captación de polvo, asegúrese que éstos estén montados y que sean utilizados correctamente.** El empleo de estos equipos reduce los riesgos derivados del polvo.

#### 4) CUIDADO Y UTILIZACIÓN DE HERRAMIENTAS ELÉCTRICAS

- a) **No sobrecargue la herramienta. Use la herramienta prevista para el trabajo a realizar.** Con la herramienta adecuada podrá trabajar mejor y con mayor seguridad dentro del margen de potencia indicado.
- b) **No utilice herramientas con un interruptor defectuoso.** Las herramientas que no se puedan conectar o desconectar son peligrosas y deben repararse.
- c) **Saque el enchufe de la red y/o desmonte el acumulador antes de realizar un ajuste en la herramienta eléctrica, cambiar de accesorio o al guardar la herramienta eléctrica.** Esta medida preventiva reduce el riesgo de conectar accidentalmente la herramienta.
- d) **Guarde las herramientas fuera del alcance de los niños y de las personas que no estén familiarizadas con su uso.** Las herramientas utilizadas por personas inexpertas son peligrosas.
- e) **Cuide sus herramientas con esmero. Controle si funcionan correctamente, sin atascarse, las partes móviles de la herramienta, y si existen partes rotas o deterioradas que pudieran afectar al funcionamiento de la herramienta.** Si la herramienta eléctrica estuviese defectuosa haga repararla antes de volver a utilizarla. Muchos

de los accidentes se deben a herramientas con un mantenimiento deficiente.

- f) **Mantenga los útiles limpios y afilados.** Los útiles mantenidos correctamente se dejan guiar y controlar mejor.
- g) **Utilice herramientas eléctricas, accesorios, útiles, etc. de acuerdo con estas instrucciones, teniendo en cuenta las condiciones de trabajo y la tarea a realizar.** El uso de herramientas eléctricas para trabajos diferentes de aquellos para los que han sido concebidas puede resultar peligroso.
- 5) **SERVICIO**
- a) **Únicamente haga reparar su herramienta eléctrica por un profesional, empleando exclusivamente piezas de repuesto originales.** Solamente así se mantiene la seguridad de la herramienta eléctrica.

#### INSTRUCCIONES DE SEGURIDAD PARA LIJADORAS

- Evite los daños que puedan causar los tornillos, clavos y otros objetos sobre la pieza de trabajo; retírelos antes de empezar a trabajar
- Mantenga siempre el cable lejos de las partes móviles de la herramienta; mantenga el cable detrás de usted, lejos de la herramienta
- **Asegure la pieza de trabajo** (una pieza de trabajo fijada con unos dispositivos de sujeción o en un tornillo de banco, se mantiene sujeta de forma mucho más segura que con la mano)
- Ponga atención al guardar su herramienta de que el motor está apagado y las partes móviles están parados
- Utilice cables de extensión seguros y completamente desarrollados con una capacidad de 16 amperios
- En el caso de que se produjera un mal funcionamiento eléctrico o mecánico, apague inmediatamente la herramienta y desconecte el enchufe
- SKIL únicamente puede garantizar un funcionamiento correcto de la herramienta al emplear accesorios originales
- Esta herramienta no debe utilizarse por personas menores de 16 años
- El nivel de ruido, con la herramienta trabajando, podrá sobrepasar 85 dB(A); usar protectores auditivos
- Si llega a dañarse o cortarse el cable eléctrico durante el trabajo, no tocar el cable, sino extraer inmediatamente el enchufe de la red
- No utilizar la herramienta cuando el cable esté dañado; hágalo cambiar por una persona calificada
- Compruebe siempre que la tensión de alimentación es la misma que la indicada en la placa de características de la herramienta (las herramientas de 230V o 240V pueden conectarse también a 220V)
- Esta herramienta no es adecuada para lijar con agua
- **No trabaje materiales que contengan amianto** (el amianto es cancerígeno)
- El polvo del material, como por ejemplo la pintura que contiene plomo, algunas especies de madera, minerales y metal podrían ser dañinos (el contacto o inhalación del polvo podría producir reacciones alérgicas y/o trastornos respiratorios al operador u otras personas cerca); **utilice una máscara contra el polvo y trabaje con un dispositivo de extracción de polvo cuando lo conecte**
- Ciertos tipos de polvo están catalogados como cancerígenos (por ejemplo el polvo de roble y de

haya) especialmente junto con aditivos para el acondicionamiento de la madera; **utilice una máscara contra el polvo y trabaje con un dispositivo de extracción de polvo cuando lo conecte**

- Siga la normativa nacional en cuanto a extracción de polvo, en función de los materiales que vayan a ser utilizados
- Al lijar metal se generen chispas; no utilice la caja de polvo/el aspirador y mantenga otras personas y materiales combustibles alejados de la zona de trabajo
- Evitar el contacto con la hoja de lijado en marcha
- No utilizar hojas de lijado desgastadas, desgarradas o excesivamente embazadas
- Llevar guantes protectores, gafas de protección, vestimenta ceñida al cuerpo y protección adecuada para pelo largo
- **Desenchufar siempre la herramienta antes de realizar cualquier ajuste o cambiar algún accesorio**

## USO

- Discos de apoyo
  - nunca ponga en funcionamiento la herramienta sin uno de los discos de apoyo A o B, o la placa base C
  - utilice para aplicaciones el disco de apoyo preciso (véase: Consejos de aplicación)
  - ! **cambie los discos de apoyo dañados inmediatamente**
- Cambio de discos de apoyo ④
  - retire la hoja de lijado VELCRO
  - quite la rosca de disco D con la llave hexagonal E
  - monte el disco de apoyo A o B como se muestra en la ilustración
  - si es necesario, limpie primero el disco de apoyo
  - apriete la rosca de disco D con la llave hexagonal E
  - ! **sujete firmemente el disco de apoyo mientras afloja o aprieta la rosca de disco D**
  - ! **desenchufe la herramienta antes de desmontar/montar los discos de apoyo**
  - ! **la rosca de disco D se calienta durante su uso; no la toque hasta que se haya enfriada**
- Montaje de la hoja de lija ⑤
  - ! **desenchufar la herramienta**
  - monte la hoja de lijado VELCRO de la forma ilustrada
  - ! **la succión de polvo requiere que se usen hojas de lija perforadas**
  - ! **las perforaciones de las hojas de lija deben corresponderse con las perforaciones de la lijadora**
  - ! **cambie a tiempo las hojas de lija pasadas**
  - ! **utilizar la herramienta siempre con toda la superficie de lijado cubierta con hoja de lija**
- Interruptor de dos velocidades ⑥
  - ponga en marcha/pare su herramienta apretando el interruptor F ② hacia adelante/atras (3 posiciones)  
0 = apagado  
1 = velocidad baja  
2 = gran velocidad
  - seleccione la posición 1 para un lijado de precisión (al trabajar con la punta en forma de delta G o con los accesorios especiales de lijado H, J o K)
  - seleccione la posición 2 para un lijado rápido
  - ! **antes de trabajar sobre una pieza, se debe poner en marcha su herramienta**

**! antes de desactivar la herramienta, debe retirarla de la pieza de trabajo**

- Montaje de los accesorios de lijado especiales (**no incluidos de serie**) ⑦
  - monte la placa base C (de forma similar al montaje de los discos de apoyo)
  - monte el accesorio H, J o el K en la placa base C y apriétele girando el botón L en sentido horario
  - monte la hoja de lijado VELCRO correspondiente en el accesorio de lijado
  - quite los accesorios o cambie su posición girando el botón L en sentido antihorario
  - 5 posiciones de lijado
- Aspiración de polvo ⑧
  - vacíe la caja de polvo M con regularidad para una aspiración optimal del polvo
  - Para utilizar el aspirador
    - retire la caja de polvo M apretando el botón N y manteniéndolo en esa posición mientras tira la caja de polvo hacia atrás
    - monte el aspirador a la extensión P
  - ! **no utilice la caja de polvo/el aspirador al lijar metal**
- Sujeción y manejo de la herramienta ⑨
  - guíe su herramienta paralela a la superficie de trabajo
  - ! **no ejerza demasiada presión en la herramienta; deje que la dimensión de la base haga su trabajo**
  - no incline su herramienta para evitar marcas de lijado no deseadas
  - ! **durante el trabajo, sujete siempre la herramienta por la(s) zona(s) de empuñadura de color gris**
  - mantenga las ranuras de ventilación Q ② descubiertas

## CONSEJOS DE APLICACIÓN

- Use la herramienta con la punta delta apuntando adelante en cantos, en esquinas y en lugares de difícil acceso ⑩
- Use la herramienta con la base plana apuntando adelante para largos lijados en superficies lisas ⑪
- Para lijar piezas curvas, así como para lijar con alto nivel de eliminación de material, utilice la herramienta con el disco de apoyo A ②
- Utilice la herramienta con los accesorios debilitado especiales para los lugares difíciles de alcanzar ⑫
- El accesorio dedicado flexible está destinado a utilizarse en
  - superficies con borde redondeado ⑬a
  - todas las superficies redondeadas con un diámetro máximo de 10 cm ⑬b
- Cuando la punta delta G esté desgastada o rota en la parte superior, puede aumentar al doble su vida de servicio útil retirándola, girándola 120° y volviéndola a colocar (también es aplicable a la hoja de lija delta) ⑭
- No tratar jamás madera y metal con la misma hoja de lija
- Grano recomendado de las hojas de lija:
  - basto - para quitar pintura; para lijar madera muy basta
  - medio - para lijar madera en crudo o lisa
  - fino - para pulir madera; para acabado de madera no pintada; para el pulido de superficies con pintura vieja

- Utilize diferentes granos de lija si la superficie a trabajar es basta:
  - empiece con el grano basto o medio
  - acabe con grano fino
- Para más consejos vea [www.skil.com](http://www.skil.com)

## MANTENIMIENTO / SERVICIO

- Esta herramienta no está concebida para uso profesional
- Mantenga limpio el cable eléctrico y la herramienta (sobre todo las ranuras de ventilación Q ②)
  - eliminar el polvo adherido con un pincel
- ! **desenchufar la herramienta antes de limpiar**
- Si a pesar de los esmerados procesos de fabricación y control, la herramienta llegase a averiarse, la reparación deberá encargarse a un servicio técnico autorizado para herramientas eléctricas SKIL
  - envíe la herramienta **sin desmontar** junto con una prueba de su compra a su distribuidor o a la estación de servicio más cercana de SKIL (los nombres así como el despiece de piezas de la herramienta figuran en [www.skil.com](http://www.skil.com))

## AMBIENTE

- **No deseche las herramientas eléctricas, los accesorios y embalajes junto con los residuos domésticos** (sólo para países de la Unión Europea)
  - de conformidad con la Directiva Europea 2002/96/CE sobre residuos de aparatos eléctricos y electrónicos y su aplicación de acuerdo con la legislación nacional, las herramientas eléctricas cuya vida útil haya llegado a su fin se deberán recoger por separado y trasladar a una planta de reciclaje que cumpla con las exigencias ecológicas
  - símbolo ⑮ llamará su atención en caso de necesidad de tirarlas

## DECLARACIÓN DE CONFORMIDAD CE

- Declaramos bajo nuestra sola responsabilidad que este producto está en conformidad con las normas o documentos normalizados siguientes: EN 60745, EN 61000, EN 55014, de acuerdo con las regulaciones 2004/108/CE, 2006/42/CE, 2011/65/UE
- **Expediente técnico en:** SKIL Europe BV (PT-SEU/ENG1), 4825 BD Breda, NL

Marijn van der Hoofden  
Operations & Engineering

Olaf Dijkgraaf  
Approvals Manager

SKIL Europe BV, 4825 BD Breda, NL  
19.08.2013

## RUIDOS/VIBRACIONES

- Medido según EN 60745 el nivel de la presión acústica de esta herramienta se eleva a 75 dB(A) y el nivel de la potencia acústica a 86 dB(A) (desviación estándar: 3 dB), y la vibración a 10,7 m/s<sup>2</sup> (método brazo-mano; incertidumbre K = 1,5 m/s<sup>2</sup>)
- El nivel de emisión de vibraciones ha sido medido según una prueba estándar proporcionada en

EN 60745; puede utilizarse para comparar una herramienta con otra y como valoración preliminar de la exposición a las vibraciones al utilizar la herramienta con las aplicaciones mencionadas

- al utilizarla para distintas aplicaciones o con accesorios diferentes o con un mantenimiento deficiente, podría **augmentar** de forma notable el nivel de exposición
- en las ocasiones en que se apaga la herramienta o cuando está funcionando pero no está realizando ningún trabajo, se podría **reducir** el nivel de exposición de forma importante

! **protéjase contra los efectos de la vibración realizando el mantenimiento de la herramienta y sus accesorios, manteniendo sus manos calientes y organizando sus patrones de trabajo**



P

## Lixadeira multifunções

7220

## INTRODUÇÃO

- Esta ferramenta destina-se à lixagem a seco e ao acabamento de madeira, superfícies pintadas, plástico e betume
- Esta ferramenta não se destina à utilização profissional
- Leia e guarde este manual de instruções ③

## ESPECIFICAÇÕES TÉCNICAS ①

## ELEMENTOS DA FERRAMENTA ②

- A Prato de borracha para multilixagem
- B Prato de borracha para lixagem orbital aleatória
- C Placa base para acessórios de lixagem\*
- D Parafuso de prato de borracha
- E Chave sextavada
- F Interruptor de duas velocidades
- G Ponta triangular
- H Acessório Louvre\*
- J Acessório de lixagem flexível\*
- K Acessório de dedo\*
- L Botão para montagem de acessórios de lixagem\*
- M Caixa do pó
- N Botão de remoção da caixa de recolha de pó
- P Extensão do aspirador
- Q Aberturas de ventilação

\* NÃO INCLUÍDO/A DE SÉRIE

## SEGURANÇA

### INSTRUÇÕES GERAIS DE SEGURANÇA

! **ATENÇÃO! Devem ser lidas todas as indicações de advertência e todas as instruções.** O desrespeito das advertências e instruções apresentadas abaixo pode

causar choque eléctrico, incêndio e/ou graves lesões.

**Guarde bem todas as advertências e instruções para futura referência.** O termo "ferramenta eléctrica" utilizado a seguir nas indicações de advertência, refere-se a ferramentas eléctricas operadas com corrente de rede (com cabo de rede) e a ferramentas eléctricas operadas com acumulador (sem cabo de rede).

### 1) SEGURANÇA DA ÁREA DE TRABALHO

- a) **Mantenha a sua área de trabalho limpa e arrumada.** Desordem ou áreas de trabalho com fraca iluminação podem causar acidentes.
- b) **Não trabalhar com a ferramenta eléctrica em áreas com risco de explosão, nas quais se encontrem líquidos, gases ou pó inflamáveis.** Ferramentas eléctricas produzem faíscas que podem provocar a ignição de pó e vapores.
- c) **Mantenha crianças e outras pessoas afastadas da ferramenta eléctrica durante o trabalho com a ferramenta.** Distrações podem causar a falta de controle sobre o aparelho.

### 2) SEGURANÇA ELÉCTRICA

- a) **A ficha da ferramentas eléctricas devem caber na tomada. A ficha não deve ser modificada de modo algum. Não utilize quaisquer fichas de adaptação junto com ferramentas eléctricas ligadas à terra.** Fichas sem modificações e tomadas adequadas reduzem o risco de choques eléctricos.
- b) **Evite que o corpo entre em contacto com superfícies ligadas à terra, como por exemplo tubos, radiadores, fogões e geladeiras.** Há um risco elevado de choques eléctricos, caso o corpo for ligado à terra.
- c) **A ferramenta eléctrica não deve ser exposta à chuva nem humidade.** A penetração de água na ferramenta eléctrica aumenta o risco de choques eléctricos.
- d) **O cabo do aparelho não deve ser utilizado para o transporte, para pendurar o aparelho, nem para puxar a ficha da tomada. Mantenha o cabo afastado de calor, óleo, cantos afiados ou partes em movimento do aparelho.** Cabos danificados ou torcidos aumentam o risco de choques eléctricos.
- e) **Ao trabalhar com a ferramenta eléctrica ao ar livre, use um cabo de extensão apropriado para áreas externas.** O uso de um cabo apropriado para áreas externas reduz o risco de choques eléctricos.
- f) **Se não for possível evitar o funcionamento da ferramenta eléctrica em áreas húmidas, deverá ser utilizado um disjuntor de corrente de avaria.** A utilização de um disjuntor de corrente de avaria reduz o risco de um choque eléctrico.

### 3) SEGURANÇA DE PESSOAS

- a) **Esteja alerta, observe o que está a fazer, e tenha prudência ao trabalhar com a ferramenta eléctrica.** Não use a ferramenta eléctrica se estiver fatigado ou sob a influência de drogas, álcool ou medicamentos. Um momento de falta de atenção durante a operação da ferramenta eléctrica pode causar graves lesões.
- b) **Utilizar equipamento de protecção pessoal e sempre óculos de protecção.** A utilização de

equipamento de protecção pessoal, como máscara de protecção contra pó, sapatos de segurança antiderrapantes, capacete de segurança ou protecção auricular, de acordo com o tipo e aplicação da ferramenta eléctrica, reduz o risco de lesões.

- c) **Evitar uma colocação em funcionamento involuntária. Assegure-se de que a ferramenta eléctrica esteja desligada, antes de conectá-la à alimentação de rede e/ou ao acumulador, antes de levantá-la ou de transportá-la.** Se tiver o dedo no interruptor ao transportar a ferramenta eléctrica ou se o aparelho for conectado à alimentação de rede enquanto estiver ligado, poderão ocorrer acidentes.
  - d) **Remover chaves de ajustes ou chaves de fenda, antes de ligar a ferramenta eléctrica.** Uma chave de fenda ou chave de ajuste que se encontre numa parte móvel do aparelho, pode levar a lesões.
  - e) **Não se sobrestime. Mantenha uma posição firme e mantenha sempre o equilíbrio.** Desta forma poderá ser mais fácil controlar o aparelho em situações inesperadas.
  - f) **Use roupa apropriada. Não use roupa larga ou jóias. Mantenha o cabelo, roupa e luvas afastadas de partes em movimento.** Roupas largas, jóias ou cabelos longos podem ser agarradas por partes em movimento.
  - g) **Se for prevista a montagem de dispositivos de aspiração de pó e de dispositivos de recolha, assegure-se de que estão conectados e que sejam utilizados de forma correcta.** A utilização de uma aspiração de pó pode reduzir o perigo devido ao pó.
- ### 4) USO E TRATAMENTO DE FERRAMENTAS ELÉCTRICAS
- a) **Não sobrecarregue a ferramenta eléctrica. Use para o seu trabalho a ferramenta eléctrica correcta.** A ferramenta correcta realizará o trabalho de forma melhor e mais segura dentro da faixa de potência indicada.
  - b) **Não utilize a ferramenta eléctrica se o interruptor não puder ser ligado nem desligado.** Qualquer ferramenta eléctrica que não possa ser controlada através do interruptor de ligar-desligar, é perigosa e deve ser reparada.
  - c) **Puxar a ficha da tomada e/ou remover o acumulador antes de executar ajustes na ferramenta, de substituir acessórios ou de guardar a ferramenta.** Esta medida de segurança evita que a ferramenta eléctrica seja ligada acidentalmente.
  - d) **Guarde ferramentas eléctricas que não estiverem sendo utilizadas, for a do alcance de crianças.** Não permita que o aparelho seja utilizado por pessoas não familiarizadas com o mesmo ou que não tenham lido estas instruções. Ferramentas eléctricas são perigosas nas mãos de pessoas sem treinamento.
  - e) **Trate a sua ferramenta eléctrica com cuidado.** Verifique se as partes móveis do aparelho funcionam perfeitamente e não emperram, se há peças quebradas ou danificadas, que possam influenciar o funcionamento do aparelho. Peças danificadas devem ser reparadas antes da utilização do aparelho. Muitos acidentes tem como causa uma manutenção insuficiente das ferramentas eléctricas.

- f) **Mantenha as ferramentas de corte sempre afiadas e limpas.** Ferramentas de cortes devidamente tratadas, com cantos afiados travam com menos frequência e podem ser controladas com maior facilidade.
- g) **Use a ferramenta eléctrica, os acessórios os bits da ferramenta etc., de acordo com estas instruções. Considere também as condições de trabalho e o trabalho a ser efectuado.** A utilização da ferramenta eléctrica para outros fins que os previstos, pode resultar em situações perigosas.
- 5) **SERVIÇO**
- a) **A sua ferramenta eléctrica só deve ser reparada por pessoal qualificado e só devem ser colocadas peças sobressalentes originais.** Desta forma é assegurada a segurança da ferramenta eléctrica.

## INSTRUÇÕES DE SEGURANÇA PARA LIXADEIRAS

- Evite danificar a ferramenta em superfícies com pregos ou parafusos; remova-os antes de começar a trabalhar
- Mantenha sempre o fio afastado das peças rotativas da ferramenta; coloque o fio para trás, fora do alcance da ferramenta
- **Fixe a peça de trabalho** (uma peça de trabalho fixa com dispositivos de fixação ou num torno fica melhor fixa do que manualmente)
- Quando guardar a ferramenta, deverá certificar-se que o motor esta devidamente parado assim como todas as peças rotativas
- Utilize extensões completamente desenroladas e seguras, com uma capacidade de 16 Amp
- Em caso de anomalias eléctricas ou mecânicas, desligue imediatamente a ferramenta e tire a ficha da tomada
- A SKIL só pode garantir um funcionamento perfeito da ferramenta, quando utilizada com os acessórios originais
- Esta ferramenta não deve ser utilizada por pessoas menores de 16 anos
- O nível de ruído durante o trabalho pode exceder 85 dB(A); utilize protectores auriculares
- Caso o fio for danificado ou cortado durante o trabalho, não toque no fio, mas tire imediatamente a ficha da tomada
- Não utilizar ferramenta caso o fio esteja danificado; mandando-o substituir por pessoal qualificado
- Certifique-se sempre de que a tensão de alimentação está de acordo com a tensão indicada na placa de identificação da ferramenta (ferramentas com a indicação de 230V ou 240V também podem ser ligadas a uma fonte de 220V)
- Esta ferramenta não é aconselhada para trabalhos em superfícies molhadas
- **Não processar material que contenha asbesto** (asbesto é considerado como sendo cancerígeno)
- O pó do material, como tinta com chumbo, algumas espécies de madeira, minerais e metais, pode ser prejudicial (contacto ou inalação do pó pode provocar reacções alérgicas e/ou doenças respiratórias ao operador ou às pessoas presentes); **use máscara respiratória e trabalhe com um dispositivo de extracção de pó quando ligado a**
- Determinados tipos de pó são classificados como substâncias cancerígenas (como pó de carvalho e faia), em especial, juntamente com aditivos para

acondicionamento da madeira; **use máscara respiratória e trabalhe com um dispositivo de extracção de pó quando ligado a**

- Siga o regulamento nacional quanto a extração de pó, em função dos materiais que vão ser utilizados
- Ao lixar metais, devido às faíscas produzidas, não utilize a caixa de pó/ aspirador e mantenha afastadas outras pessoas e materiais combustíveis à área de trabalho
- Não entrar em contacto com a folha de lixadeira em funcionamento
- Folhas de lixadeira gastas, rasgadas ou muito sujas não devem continuar a ser utilizadas
- Usar luvas protectoras, óculos de protecção, roupas justas e uma protecção para cabelos (no caso de cabelos compridos)
- **Desligue sempre a ficha da tomada antes de proceder a qualquer ajustamento ou troca de acessório**

## MANUSEAMENTO

- Pratos de borracha
  - nunca ligue a ferramenta sem o prato de borracha A ou B, ou a placa base C
  - utilize o prato de borracha correcto para a correspondente aplicação (veja: Conselhos de aplicação)
  - ! **substitua imediatamente os pratos de borracha avariados**
- Mudar os pratos de borracha ④
  - desmonte a folha de lixa VELCRO
  - retire o parafuso do prato D com a chave hexagonal E
  - monte o o prato de borracha A ou B conforme ilustrado
  - e necessário, limpe o prato de borracha primeiro
  - aperte o parafuso do prato D com a chave hexagonal E
  - ! **segure o prato de borracha firmemente enquanto desaperta/aperta o parafuso do prato D**
  - ! **desligue a ficha antes de remover/montar os pratos de borracha**
  - ! **o parafuso do prato D aquece durante a utilização; não lhe toque antes que arrefeça**
- Montagem das folhas de lixa ⑤
  - ! **desligar a ferramenta da fonte de corrente**
  - monte a folha de lixa VELCRO como ilustrado
  - ! **a aspiração de pó requer folhas de lixa perfuradas**
  - ! **a perfuração da folha de lixa deverá corresponder à perfuração da ferramenta**
  - ! **troque as folhas de lixas gastas atempadamente**
  - ! **utilizar sempre a ferramenta com toda a superfície de lixagem coberta por folha de lixa**
- Interruptor de duas velocidades ⑥
  - ligue/desligue a ferramenta puxando o interruptor F ② para a frente/trás (3 posições)
  - 0 = desligar
  - 1 = baixa velocidade
  - 2 = alta velocidade
  - seleccione a posição 1 para lixagem precisa (quando trabalhar com a ponta delta G ou acessórios de lixagem especiais H, J ou K)
  - seleccione a posição 2 para lixagem rápida
  - ! **a ferramenta deve estar ligada antes que a base**

### alcance a peça a trabalhar

#### ! antes de desligar a ferramenta, deve levantá-la da peça de trabalho

- Montagem de acessórios de lixagem especiais (não incluídos de série) ⑦
    - monte a placa base C (similar à montagem dos pratos de borracha)
    - monte o acessório H, J ou K na placa base C e aperte-o através da rotação do botão L para a direita
    - monte a folha de lixa VELCRO correspondente no acessório de lixagem
    - retire os acessórios ou mude a sua posição através da rotação do botão L para a esquerda
    - 5 posições de lixagem
  - Aspiração de pó ⑧
    - esvazie periodicamente a caixa de recolha do pó M para uma melhor recolha do pó
- Para utilizar o aspirador
- remova a caixa de recolha de pó M premindo o botão N e mantendo-o nessa posição enquanto puxa a caixa de recolha de pó para trás
  - aplique o aspirador à extensão P

#### ! não utilizar a caixa de recolha do pó/o aspirador ao lixar metais

- Segurar e guiar a ferramenta ⑨
    - guie a ferramenta paralelamente à peça a trabalhar
- #### ! não aplique demasiada pressão na ferramenta; deixe que a ferramenta trabalhe por si
- não incline a ferramenta de modo a evitar marcas indesejadas

#### ! durante o trabalho, segure sempre a ferramenta na(s) área(s) de fixação cinzenta(s)

- mantenha as aberturas de ventilação Q ② destapadas

## CONSELHOS DE APLICAÇÃO

- Utilize a ferramenta com a ponta delta para a frente para superfícies com arestas, superfícies estreitas e outros lugares de difícil acesso ⑩
- Utilize a ferramenta com a parte lisa para a frente para amplos movimentos em superfícies planas ⑪
- Para lixar peças de trabalho curvas ou com elevado desempenho de remoção, utilize a ferramenta juntamente com o prato de borracha A ②
- Use a ferramenta com os acessórios de lixagem especiais para locais de acesso difícil ⑫
- O acessório de lixagem flexível foi concebido para
  - arredondar arestas ⑬a
  - todas as superfícies arredondadas com um diâmetro máximo de 10 cm ⑬b
- Quando a ponta triangular G estiver gasta ou danificada no topo, poderá duplicar a sua vida útil desmontando-a, rodando-a 120° e voltando a colocá-la (também aplicável à folha de lixadeira triangular) ⑭
- Nunca trabalhar madeira e metal com a mesma folha de lixa
- Grãos de folhas de lixa recomendados:
  - grosso
    - para remover tinta; para lixar madeira extremamente dura
  - médio
    - para lixar madeira dura ou plana
  - fina
    - para afagar madeira; para acabamentos de madeira nua; para afagar superfícies com tinta antiga

- Use diferentes grãos de lixa quando trabalhar madeira dura:
  - comece com grão grosso ou médio
  - acabe com grão fino
- Para mais sugestões consulte [www.skil.com](http://www.skil.com)

## MANUTENÇÃO / SERVIÇO

- Esta ferramenta não se destina a utilização profissional
  - Mantenha a ferramenta e o fio sempre limpos (especialmente as ranhuras de respiração Q ②)
    - remover o pó de lixa aderido com um pincel
- #### ! desligar a ferramenta da fonte de corrente antes de limpar
- Se a ferramenta falhar apesar de cuidadosos processos de fabricação e de teste, a reparação deverá ser executada por uma oficina de serviço autorizada para ferramentas eléctricas SKIL
    - envie a ferramenta **sem desmontar**, juntamente com a prova de compra, para o seu revendedor ou para o centro de assistência SKIL mais próximo (os endereços assim como a mapa de peças da ferramenta estão mencionados no [www.skil.com](http://www.skil.com))

## AMBIENTE

- **Não deite ferramentas eléctricas, acessórios e embalagem no lixo doméstico** (apenas para países da UE)
  - de acordo com a directiva europeia 2002/96/CE sobre ferramentas eléctricas e electrónicas usadas e a transposição para as leis nacionais, as ferramentas eléctricas usadas devem ser recolhidas em separado e encaminhadas a uma instalação de reciclagem dos materiais ecológica
  - símbolo ⑮ lhe avisará em caso de necessidade de arranjar-las

## DECLARAÇÃO DE CONFORMIDADE CE

- Declaramos sob nossa exclusiva responsabilidade que este producto cumpre as seguintes normas ou documentos normativos: EN 60745, EN 61000, EN 55014, conforme as disposições das directivas 2004/108/CE, 2006/42/CE, 2011/65/UE
- **Processo técnico em:** SKIL Europe BV (PT-SEU/ENG1), 4825 BD Breda, NL

Marijn van der Hoofden  
Operations & Engineering

Olaf Dijkgraaf  
Approvals Manager

SKIL Europe BV, 4825 BD Breda, NL

19.08.2013

## RUÍDO/VIBRAÇÕES

- Medido segundo EN 60745 o nível de pressão acústica desta ferramenta é 75 dB(A) e o nível de potência acústica 86 dB(A) (espaço de erro: 3 dB), e a vibração 10,7 m/s<sup>2</sup> (método braço-mão; incerteza K = 1,5 m/s<sup>2</sup>)
- O nível de emissão de vibrações foi medido de acordo com um teste normalizado fornecido na EN 60745; pode ser utilizado para comparar uma ferramenta com outra e

como uma avaliação preliminar de exposição à vibração quando utilizar a ferramenta para as aplicações mencionadas

- utilizar a ferramenta para diferentes aplicações ou com acessórios diferentes ou mantidos deficientemente, pode **umentar** significativamente o nível de exposição

- o número de vezes que a ferramenta é desligada ou quando estiver a trabalhar sem fazer nada, pode **reduzir** significativamente o nível de exposição

**! proteja-se contra os efeitos da vibração, mantendo a ferramenta e os acessórios, mantendo as mãos quentes e organizando os padrões de trabalho**

I

## Levigatrice multifunzione 7220

### INTRODUZIONE

- Questo utensile serve per la smerigliatura e la rifinitura a secco del legno, delle superfici verniciate, della plastica e del riempimento
- Questo utensile non è inteso per un uso professionale
- Leggete e conservate questo manuale di istruzione ③

### CARATTERISTICHE TECNICHE ①

#### ELEMENTI UTENSILE ②

- A Platorello per smerigliatura multipla
- B Platorello per smerigliatura eccentrica
- C Piastra base per accessori di smerigliatura\*
- D Vite del platorello
- E Chiave esagonale
- F Interruttore a due velocità
- G Punta delta
- H Accessorio a "persiana\*\*
- J Accessorio per smerigliatura flessibile\*
- K Accessorio a dito\*
- L Manopola per il montaggio di accessori di smerigliatura\*
- M Scatola della polvere
- N Bottone per la rimozione della scatola della polvere
- P Prolunga per aspirapolvere
- Q Feritoie di ventilazione

\* NON INCLUSO/A DI SERIE

### SICUREZZA

#### ISTRUZIONI GENERALI DI SICUREZZA

**⚠ ATTENZIONE! Leggere tutte le avvertenze di pericolo e le istruzioni operative.** In caso di mancato rispetto delle avvertenze di pericolo e delle istruzioni operative si potrà creare il pericolo di scosse elettriche, incendi e/o incidenti gravi. **Conservare tutte le avvertenze di pericolo e le istruzioni operative per ogni esigenza futura.** Il termine "elettroutensile" utilizzato nelle avvertenze di pericolo si riferisce ad utensili elettrici alimentati dalla rete

(con linea di allacciamento) ed ad utensili elettrici alimentati a batteria (senza linea di allacciamento).

#### 1) SICUREZZA DELLA POSTAZIONE DI LAVORO

- a) **Mantenere pulito ed ordinato il posto di lavoro.** Il disordine o le zone di lavoro non illuminate possono essere fonte di incidenti.
- b) **Evitare d'impiegare l'utensile in ambienti soggetti al rischio di esplosioni nei quali si trovino liquidi, gas o polveri infiammabili.** Gli utensili elettrici producono scintille che possono far infiammare la polvere o i gas.
- c) **Mantenere lontani i bambini ed altre persone durante l'impiego dell'utensile elettrico.** Eventuali distrazioni potranno comportare la perdita del controllo sull'utensile.

#### 2) SICUREZZA ELETTRICA

- a) **La spina per la presa di corrente dovrà essere adatta alla presa. Evitare assolutamente di apportare modifiche alla spina. Non impiegare spine adattatrici assieme ad utensili con collegamento a terra.** Le spine non modificate e le prese adatte allo scopo riducono il rischio di scosse elettriche.
- b) **Evitare il contatto fisico con superfici collegate a terra, come tubi, riscaldamenti, cucine elettriche e frigoriferi.** Sussiste un maggior rischio di scosse elettriche nel momento in cui il corpo è messo a massa.
- c) **Custodire l'utensile al riparo dalla pioggia o dall'umidità.** L'eventuale infiltrazione di acqua in un utensile elettrico va ad aumentare il rischio d'insorgenza di scosse elettriche.
- d) **Non usare il cavo per scopi diversi da quelli previsti al fine di trasportare o appendere l'utensile, oppure di togliere la spina dalla presa di corrente. Mantenere l'utensile al riparo da fonti di calore, dall'olio, dagli spigoli o da pezzi in movimento.** I cavi danneggiati o aggrovigliati aumentano il rischio d'insorgenza di scosse elettriche.
- e) **Qualora si voglia usare l'utensile all'aperto, impiegare solo ed esclusivamente cavi di prolunga omologati per l'impiego all'esterno.** L'uso di un cavo di prolunga omologato per l'impiego all'esterno riduce il rischio d'insorgenza di scosse elettriche.
- f) **Qualora non fosse possibile evitare di utilizzare l'utensile in ambiente umido, utilizzare un interruttore di messa a terra.** L'uso di un interruttore di messa a terra riduce il rischio di una scossa elettrica.

#### 3) SICUREZZA DELLE PERSONE

- a) **È importante concentrarsi su ciò che si sta facendo e a maneggiare con giudizio l'utensile durante le operazioni di lavoro. Non utilizzare l'utensile in caso di stanchezza o sotto l'effetto di droghe, bevande alcoliche e medicinali.** Un attimo di distrazione durante l'uso dell'utensile potrà causare lesioni gravi.
- b) **Indossare sempre equipaggiamento protettivo individuale. Usare sempre protezioni per gli occhi.** Se si avrà cura d'indossare equipaggiamento protettivo individuale come la maschera antipolvere, la calzatura antisdrucchiabile di sicurezza, il casco protettivo o la protezione dell'udito, a seconda dell'impiego previsto

- per l'utensile elettrico, si potrà ridurre il rischio di ferite.
- c) **Evitare l'accensione involontaria dell'utensile. Prima di collegarlo alla rete di alimentazione elettrica e/o alla batteria ricaricabile, prima di prenderlo oppure prima di iniziare a trasportarlo, assicurarsi che l'utensile sia spento.** Tenendo il dito sopra l'interruttore mentre si trasporta l'utensile oppure collegandolo all'alimentazione di corrente con l'interruttore inserito, si vengono a creare situazioni pericolose in cui possono verificarsi seri incidenti.
- d) **Togliere gli attrezzi di regolazione o la chiave inglese prima di accendere l'utensile.** Un utensile o una chiave inglese che si trovino in una parte dell'utensile in rotazione potranno causare lesioni.
- e) **È importante non sopravvalutarsi. Avere cura di mettersi in posizione sicura e di mantenere l'equilibrio.** In tale maniera sarà possibile controllare meglio l'utensile in situazioni inaspettate.
- f) **Indossare vestiti adeguati. Evitare di indossare vestiti lenti o gioielli. Tenere i capelli, i vestiti ed i guanti lontani da pezzi in movimento.** Vestiti lenti, gioielli o capelli lunghi potranno impigliarsi in pezzi in movimento.
- g) **Se sussiste la possibilità di montare dispositivi di aspirazione o di captazione della polvere, assicurarsi che gli stessi siano stati installati correttamente e vengano utilizzati senza errori.** L'utilizzo di un'aspirazione polvere può ridurre lo svilupparsi di situazioni pericolose dovute alla polvere.
- 4) MANEGGIO ED IMPIEGO ACCURATO DI UTENSILI ELETTRICI**
- a) **Non sovraccaricare l'utensile. Impiegare l'utensile elettrico adatto per sbrigare il lavoro.** Utilizzando l'utensile elettrico adatto si potrà lavorare meglio e con maggior sicurezza nell'ambito della gamma di potenza indicata.
- b) **Non utilizzare utensili elettrici con interruttori difettosi.** Un utensile elettrico che non si può più accendere o spegnere è pericoloso e dovrà essere riparato.
- c) **Prima di procedere ad operazioni di regolazione sull'utensile, prima di sostituire parti accessorie oppure prima di posare l'utensile al termine di un lavoro, estrarre sempre la spina dalla presa della corrente e/o estrarre la batteria ricaricabile.** Tale precauzione eviterà che l'utensile possa essere messo in funzione inavvertitamente.
- d) **Custodire gli utensili elettrici non utilizzati al di fuori della portata dei bambini. Non fare usare l'utensile a persone che non sono abituate ad usarlo o che non abbiano letto le presenti istruzioni.** Gli utensili elettrici sono pericolosi se utilizzati da persone inesperte.
- e) **Effettuare accuratamente la manutenzione dell'utensile. Verificare che le parti mobili dell'utensile funzionino perfettamente e non s'incastrino, che non ci siano pezzi rotti o danneggiati al punto tale da limitare la funzione dell'utensile stesso. Far riparare le parti danneggiate prima d'impiegare l'utensile.** Numerosi incidenti vengono causati da utensili elettrici la cui manutenzione è stata effettuata poco accuratamente.

- f) **Mantenere affilati e puliti gli utensili da taglio.** Gli utensili da taglio curati con particolare attenzione e con taglienti affilati s'incastrano meno frequentemente e sono più facili da condurre.
- g) **Utilizzare utensili elettrici, accessori, attrezzi, ecc. in conformità con le presenti istruzioni. Osservare le condizioni di lavoro ed il lavoro da eseguirsi durante l'impiego.** L'impiego di utensili elettrici per usi diversi da quelli consentiti potrà dar luogo a situazioni di pericolo.
- 5) ASSISTENZA**
- a) **Fare riparare l'utensile solo ed esclusivamente da personale specializzato e solo impiegando pezzi di ricambio originali.** In tale maniera potrà essere salvaguardata la sicurezza dell'utensile.

## ISTRUZIONI DI SICUREZZA PER LEVIGATRICI

- Evitate possibili danneggiamenti da viti e chiodi sporgenti; rimuoverli prima di iniziare la lavorazione
- Mantenere sempre il cavo distante dalle parti in movimento dell'utensile; spingere il cavo verso la parte posteriore, distante dall'utensile
- **Fissare il pezzo da lavorare** (un pezzo in lavorazione rimane bloccato in posizione con maggiore sicurezza se fissato con appositi dispositivi di serraggio o con una morsa e non tenendolo con la mano)
- Quando riponetevi l'utensile accertatevi che non ci siano parti in movimento e che il motore sia spento
- Usare cavi di prolunga completamente srotolati e sicure con una capacità di 16 Amp
- Nel caso di cattivo funzionamento elettrico o meccanico, spegnete subito l'utensile e staccate la spina
- La SKIL garantisce un perfetto funzionamento dell'utensile soltanto se vengono utilizzati accessori originali
- Questo utensile non dev'essere utilizzato da persone di età inferiore ai 16 anni
- Durante le operazioni di lavoro il livello di rumorosità può superare 85 dB(A); utilizzare le cuffie di protezione
- Se durante un'operazione di lavoro viene danneggiato oppure troncato il cavo, non toccare il cavo ma estrarre immediatamente la spina dalla presa
- Non usare l'utensile quando il cavo è danneggiato; farlo sostituire da personale qualificato
- Controllare che la tensione dell'alimentazione sia la stessa di quella indicata sulla targhetta dell'utensile (gli utensili con l'indicazione di 230V o 240V possono essere collegati anche alla rete di 220V)
- Questo utensile non può lavorare con acqua
- **Non lavorare mai materiali contenenti amianto** (l'amianto è ritenuto materiale cancerogeno)
- Le polveri di materiali come vernici contenenti piombo, alcune specie di legno, minerali e metallo possono essere nocive (il contatto con queste polveri o la loro inalazione possono causare reazioni allergiche e/o disturbi respiratori all'operatore o ad altre persone presenti sul posto); **indossare una maschera protettiva per la polvere e utilizzare un dispositivo per l'estrazione della polvere se è presente una presa di collegamento**
- Alcuni tipi di polvere sono classificati come cancerogeni (quali le polveri di quercia e faggio) specialmente se associate ad additivi per il trattamento del legno; **indossare una maschera protettiva per la polvere**



### **e utilizzare un dispositivo per l'estrazione della polvere se è presente una presa di collegamento**

- Rispettare le istruzioni nazionali riguardanti l'estrazione della polvere per i materiali in lavorazione
- Nella levigatura del metallo vengono generate scintille; non usare la scatola della polvere/l'aspirapolvere e allontanare altre persone e materiali infiammabili dall'area di lavoro
- Evitare di toccare il foglio mentre questo si trova in movimento
- Non continuare ad usare fogli usurati, stagiati oppure già troppo carichi di materiale levigato
- Portare guanti protettivi, occhiali di protezione, abiti adatti ed aderenti al corpo e una protezione per i capelli (in caso di capelli lunghi)
- **Staccate sempre la spina dell'utensile prima di effettuare regolazioni o cambiare gli accessori**

## **USO**

- **Platorello**
  - non utilizzare mai l'utensile senza aver montato il platorello A o B, o la piastra base C
  - impiegare il platorello appropriato per ogni applicazione (ved.: Consiglio pratico)

### **! sostituire immediatamente i platorelli danneggiati**

- **Cambiare i platorelli (4)**
  - rimuovere il foglio della levigatrice VELCRO
  - rimuovere la vite del platorello D utilizzando la chiave esagonale E
  - montare il platorello A o B come illustrato
  - prima di applicare il disco pulire, se necessario, il platorello
  - fissare la vite del platorello D utilizzando la chiave esagonale E

### **! tenere bene il platorello mentre si allenta/avvita la vite del platorello D**

### **! togliere la spina dalla corrente prima di rimuovere/montare il platorello**

### **! la vite del platorello D diventa calda durante l'uso; non toccatela prima che si sia raffreddata**

- **Montaggio del foglio abrasivo (5)**
  - ! estrarre la spina dalla presa**
    - montare il foglio abrasivo di VELCRO come illustrato
  - ! per non ostacolare l'aspirazione impiegare solo foglio abrasivo perforato**
  - ! i fori del foglio devono corrispondere ai fori della piastra**
  - ! sostituire il foglio abrasivo consumato per tempo**
  - ! usare l'utensile sempre con l'intera superficie levigante coperta da foglio abrasivo**

- **Interruttore a due velocità (6)**
  - attivare/disattivare l'utensile premendo in avanti/indietro l'interruttore F (2) (3 posizioni)
  - 0 = spento
  - 1 = velocità ridotta
  - 2 = velocità elevata
  - selezionare la posizione 1 per una smerigliatura accurata (quando si lavora con una punta delta G o degli accessori di smerigliatura speciali H, J o K)
  - selezionare la posizione 2 per una smerigliatura rapida
- ! prima che la superficie levigante raggiunga il pezzo in lavorazione, l'utensile deve essere acceso**

### **! prima di spegnere l'utensile, dovrete sollevarlo dal pezzo di lavorazione**

- **Montaggio di speciali accessori di levigatura (non inclusi di serie) (7)**
    - montare la piastra base C (operazione simile al montaggio dei platorelli)
    - montare l'accessorio H, J o K sulla piastra base C e fissarlo ruotando la manopola L in senso orario
    - montare il relativo foglio di levigatura VELCRO all'accessorio di levigazione
    - rimuovere gli accessori o cambiarli di posizione ruotando la manopola L in senso anti-orario
    - 5 posizioni di levigatura
  - **Aspirazione della polvere (8)**
    - svuotare regolarmente la scatola della polvere M per ottimale raccolta della polvere
- Per usare un aspirapolvere
- rimuovere la scatola della polvere M premendo il bottone N e mantendolo in tale posizione mentre si tira la scatola della polvere all'indietro
  - montate l'aspirapolvere sulla prolunga P
- ### **! non usare la scatola della polvere/l'aspirapolvere durante al smerigliatura del metallo**
- **Tenuta e guida dell'utensile (9)**
    - tenere l'utensile parallelo alla superficie di lavoro
- ### **! non applicare troppa pressione all'utensile; lasciare che sia la superficie levigante a lavorare per voi**
- non inclinare l'utensile per evitare segni di levigatura non voluti
- ### **! durante la lavorazione, impugnare l'utensile sempre in corrispondenza della(e) area(e) grigia(e)**
- tenere scoperte le feritoie di ventilazione Q (2)

## **CONSIGLIO PRATICO**

- Utilizzare l'utensile con la punta in avanti per angoli o altri luoghi stretti e difficili da raggiungere (10)
- Utilizzare l'utensile con il lato in avanti per superfici più ampie o gradini (11)
- Per smerigliare dei pezzi curvi, o dei pezzi dove si deve togliere molto materiale, utilizzare l'utensile insieme al platorello A (2)
- Utilizzare l'utensile con gli speciali accessori di levigatura per punti difficili da raggiungere (12)
- L'accessorio flessibile di levigatura è inteso per
  - arrotondamento delle superfici a (13a)
  - tutte le superfici arrotondate con un diametro massimo di 10 cm (13b)
- Quando la punta delta G è usurata o danneggiata con la cima, la sua durata di servizio può essere prolungata per due volte rimuovendola, girandola di 120° e riponendola (applicabile anche al foglio abrasivo delta) (14)
- Mai eseguire lavorazioni con lo stesso foglio abrasivo su legno e su metallo
- Fogli abrasivi a grana raccomandata per i seguenti usi:
  - ruvida
    - per togliere la vernice; per levigare legno molto ruvido
  - media
    - per levigare legno ruvido
  - fine
    - per lisciare legno; per rifinire legno nudo; per lisciare superfici con vernice vecchia

- Uso di diverse dimensioni di grana per superfici ruvide:
  - iniziare con un foglio a grana ruvida o media
  - terminare con un foglio a grana fine
- Per altri consigli consultare il sito [www.skil.com](http://www.skil.com)

## MANUTENZIONE / ASSISTENZA

- Questo utensile non è inteso per un uso professionale
- Tenete sempre puliti utensile e cavo (soprattutto le feritoie di ventilazione Q (2))
  - asportare con un pennello la polvere da levigatura che sia rimasta attaccata
- ! **prima di pulire estrarre la spina dalla presa**
- Se nonostante gli accurati procedimenti di produzione e di controllo l'utensile dovesse guastarsi, la riparazione va fatta effettuare da un punto di assistenza autorizzato per gli elettro utensili SKIL
  - inviare l'utensile **non smontato** assieme alle prove di acquisto al rivenditore oppure al più vicino centro assistenza SKIL (l'indirizzo ed il disegno delle parti di ricambio dell'utensile sono riportati su [www.skil.com](http://www.skil.com))

## TUTELA DELL'AMBIENTE

- **Non gettare l'utensile elettrico, gli accessori e l'imballaggio tra i rifiuti domestici** (solo per paesi UE)
  - secondo la Direttiva Europea 2002/96/CE sui rifiuti di utensili elettrici ed elettronici e la sua attuazione in conformità alle norme nazionali, gli utensili elettrici esausti devono essere raccolti separatamente, al fine di essere reimpiegati in modo eco-compatibile
  - il simbolo (19) vi ricorderà questo fatto quando dovrete eliminarlo

## DICHIARAZIONE DEI CONFORMITÀ CE

- Dichiaro, assumendo la piena responsabilità di tale dichiarazione, che il prodotto è conforme alle seguenti normative e ai relativi documenti: EN 60745, EN 61000, EN 55014 in base alle prescrizioni delle direttive 2004/108/EG, 2006/42/EG, 2011/65/UE
- **Fascicolo tecnico presso:** SKIL Europe BV (PT-SEU/ENG1), 4825 BD Breda, NL

Marijn van der Hoofden  
Operations & Engineering

Olaf Dijkgraaf  
Approvals Manager

SKIL Europe BV, 4825 BD Breda, NL  
19.08.2013

## RUMOROSITÀ/VIBRAZIONE

- Misurato in conformità al EN 60745 il livello di pressione acustica di questo utensile è 75 dB(A) ed il livello di potenza acustica 86 dB(A) (deviazione standard: 3 dB), e la vibrazione 10,7 m/s<sup>2</sup> (metodo mano-braccio; incertezza K = 1,5 m/s<sup>2</sup>)
- Il livello di emissione delle vibrazioni è stato misurato in conformità a un test standardizzato stabilito dalla norma EN 60745; questo valore può essere utilizzato per mettere a confronto un utensile con un altro o come valutazione preliminare di esposizione alla vibrazione quando si impiega l'utensile per le applicazioni menzionate
  - se si utilizza l'utensile per applicazioni diverse, oppure

con accessori differenti o in scarse condizioni, il livello di esposizione potrebbe **aumentare** notevolmente

- i momenti in cui l'utensile è spento oppure è in funzione ma non viene effettivamente utilizzato per il lavoro, possono contribuire a **ridurre** il livello di esposizione

! **protegersi dagli effetti della vibrazione effettuando la manutenzione dell'utensile e dei relativi accessori, mantenendo le mani calde e organizzando i metodi di lavoro**

H

## Multicsiszoló

7220

## BEVEZETÉS

- Ez a csiszológép fa, festett felületek, műanyagok és tapaszok csiszolásához és felületek végső simításához használható
- A szerszám nem professzionális használatra készült
- Olvassa el figyelmesen és őrizze meg a használati utasítást (3)

## TECHNIKAI ADATOK (1)

## SZERSZÁMGÉP ELEMEI (2)

- A Tányér multicsiszolóhoz
- B Tányér excenter csiszolóhoz
- C Alaplemez csiszoló tartozékokhoz\*
- D Tányér csavar
- E Hatszögkulcs
- F Két-sebességes kapcsoló
- G Delta alakú talp
- H „Louvre” tartozék\*
- J Hajlékony csiszoló tartozék\*
- K Ujj alakú tartozék\*
- L Gomb a csiszolótartozékok felszereléséhez\*
- M Porzsák
- N Gomb a porzsák eltávolításához
- P Adapter a porszívóhoz
- Q Szellőzőnyílások

\* NEM STANDARD TARTOZÉK

## BIZTONSÁG

### ÁLTALÁNOS BIZTONSÁGI ELŐÍRÁSOK

**FIGYELEM!** Olvassa el az összes biztonsági figyelmeztetést és előírást. A következőkben leírt előírások betartásának elmulasztása áramütésekhez, tűzhöz és/vagy súlyos testi sérülésekhez vezethet. **Kérjük a későbbi használatra gondosan őrizze meg ezeket az előírásokat.** Az alább alkalmazott elektromos kéziszerszám fogalom a hálózati elektromos kéziszerszámokat (hálózati csatlakozó kábellel) és az akkumulátoros elektromos kéziszerszámokat (hálózati csatlakozó kábel nélkül) foglalja magában.

### 1) MUNKAHELYI BIZTONSÁG

- a) **Tartsa tisztán és tartsa rendben a munkahelyét.**

- Rendetlen munkahelyek vagy megvilágítatlan munkaterületek balesetekhez vezethetnek.
- b) **Ne dolgozzon az elektromos kéziszerszámmal olyan robbanásveszélyes környezetben, ahol éghető folyadékok, gázok vagy porok vannak.** Az elektromos kéziszerszámok szikrákat bocsáthatnak ki, amelyek meggyújthatják a port vagy a gőzöket.
- c) **Tartsa távol a gyerekeket és az idegen személyeket a munkahelytől, ha az elektromos kéziszerszámot használja.** Ha elvonják a figyelmét a munkától, könnyen elvesztheti az uralmát a berendezés felett.
- 2) ELEKTROMOS BIZTONSÁGI ELŐÍRÁSOK**
- a) **A készülék csatlakozó dugójának bele kell illeszkednie a dugaszolóaljzatba. A csatlakozó dugót semmilyen módon sem szabad megváltoztatni. Védőföldeléssel ellátott készülékekkel kapcsolatban ne használjon csatlakozó adaptert.** A változtatás nélküli csatlakozó dugók és a megfelelő dugaszoló aljzatok csökkentik az áramütés kockázatát.
- b) **Ne érjen hozzá földelt felületekhez, mint csövekhez, fűtőtestekhez, kályhákhoz és hűtőszekrényekhez.** Az áramütési veszély megnövekszik, ha a teste le van földelve.
- c) **Tartsa távol az elektromos kéziszerszámot az esőtől és a nedvesség hatásaitól.** Ha víz hatol be egy elektromos kéziszerszámba, ez megnöveli az áramütés veszélyét.
- d) **Ne használja a kábelt a rendeltetésétől eltérő célokra, vagyis a szerszámot soha ne hordozza vagy akassza fel a kábelnél fogva, és soha ne húzza ki a hálózati csatlakozó dugót a kábelnél fogva. Tartsa távol a kábelt hőforrásoktól, olajtól, éles élektől, sarkaktól és mozgó gépkatrészekről.** Egy megrongálódott vagy csomókkal teli kábel megnöveli az áramütés veszélyét.
- e) **Ha egy elektromos kéziszerszámmal a szabad ég alatt dolgozik, csak a szabadban való használatra engedélyezett hosszabbítót használjon.** A szabadban való használatra engedélyezett hosszabbító használata csökkenti az áramütés veszélyét.
- f) **Ha nem lehet elkerülni az elektromos kéziszerszám nedves környezetben való használatát, alkalmazzon egy földzárlat megszakítót.** Egy földzárlat megszakító alkalmazása csökkenti az áramütés kockázatát.
- 3) SZEMÉLYI BIZTONSÁGI ELŐÍRÁSOK**
- a) **Munka közben mindig figyeljen, ügyeljen arra, amit csinál, és meggondoltan dolgozzon az elektromos kéziszerszámmal.** Ha fáradt, ha kábítószerek vagy alkohol hatása alatt áll, vagy orvosságokat vett be, ne használja a berendezést. A berendezéssel végzett munka közben már egy pillanatnyi figyelmetlenség is komoly sérülésekhez vezethet.
- b) **Viseljen személyi védőfelszerelést és mindig viseljen védőszemüveget.** A személyi védőfelszerelések, mint porvédő álc, csúszásbiztos védőcipő, védősapka és fülvédő használata az elektromos kéziszerszám használata jellegének megfelelően csökkenti a személyes sérülések kockázatát.
- c) **Kerülje el a készülék akaratlan üzembe helyezését. Győződjön meg arról, hogy az elektromos kéziszerszám ki van kapcsolva, mielőtt bedugná a csatlakozó dugót a dugaszolóaljzatba, csatlakoztatná az akkumulátor-csomagot, és mielőtt felvenné és vinni kezdené az elektromos kéziszerszámot.** Ha az elektromos kéziszerszám felemelése közben az ujját a kapcsolón tartja, vagy ha a készüléket bekapcsolt állapotban csatlakoztatja az áramforráshoz, ez balesetekhez vezethet.
- d) **Az elektromos kéziszerszám bekapcsolása előtt okvetlenül távolítsa el a beállító szerszámokat vagy csavarkulcsokat.** Az elektromos kéziszerszám forgó részeiben felejtett beállító szerszám vagy csavarkulcs sérüléseket okozhat.
- e) **Ne becsülje túl önmagát. Kerülje el a normálistól eltérő testtartást, ügyeljen arra, hogy mindig biztosan álljon és az egyensúlyát megtartsa.** Így az elektromos kéziszerszám felett váratlan helyzetekben is jobban tud uralkodni.
- f) **Viseljen megfelelő ruhát. Ne viseljen bő ruhát vagy ékszereket. Tartsa távol a haját, a ruháját és a kesztyűjét a mozgó részekről.** A bő ruhát, az ékszereket és a hosszú haját a mozgó alkatrészek magukkal ránthatják.
- g) **Ha az elektromos kéziszerszámra fel lehet szerelni a por elszívásához és összegyűjtéséhez szükséges berendezéseket, ellenőrizze, hogy azok megfelelő módon hozzá vannak kapcsolva a készülékhez és rendeltetésüknek megfelelően működnek.** A porgyűjtő berendezések használata csökkenti a munka során keletkező por veszélyes hatását.
- 4) AZ ELEKTROMOS KÉZISZERSZÁMOK GONDOS KEZELÉSE ÉS HASZNÁLATA**
- a) **Ne terhelje túl az elektromos kéziszerszámot. A munkájához csak az arra szolgáló elektromos kéziszerszámot használja.** Egy alkalmas elektromos kéziszerszámmal a megadott teljesítménytartományon belül jobban és biztonságosabban lehet dolgozni.
- b) **Ne használjon olyan elektromos kéziszerszámot, amelynek a kapcsolója elromlott.** Egy olyan elektromos kéziszerszám, amelyet nem lehet sem be-, sem kikapcsolni, veszélyes és meg kell javíttatni.
- c) **Húzza ki a csatlakozó dugót a dugaszolóaljzataból és/vagy az akkumulátor-csomagot az elektromos kéziszerszámból, mielőtt az elektromos kéziszerszámon beállítási munkákat végez, tartozékokat cserél vagy a szerszámot tárolásra elteszi.** Ez az elővigyázatossági intézkedés meggátolja a szerszám akaratlan üzembe helyezését.
- d) **A használaton kívüli elektromos kéziszerszámokat olyan helyen tárolja, ahol azokhoz gyerekek ne férhess nek hozzá. Ne hagyja, hogy olyan személyek használják az elektromos kéziszerszámot, akik nem ismerik a szerszámot, vagy nem olvasták el ezt az útmutatót.** Az elektromos kéziszerszámok veszélyesek, ha azokat gyakorlatlan személyek használják.
- e) **A készüléket gondosan ápolja. Ellenőrizze, hogy a mozgó alkatrészek kifogástalanul működnek-e, nincsenek-e beszorulva, és nincsenek-e eltörve vagy megrongálódva olyan alkatrészek, amelyek hatással lehetnek az elektromos kéziszerszám működésére. A megrongálódott részeket a készülék használatára előtti javíttassa meg.** Sok olyan baleset

történik, amelyet az elektromos kéziszerszám nem kielégítő karbantartására lehet visszavezetni.

- f) **Tartsa tisztán és éles állapotban a vágószerszámokat.** Az éles vágóélekkel rendelkező és gondosan ápoltt vágószerszámok ritkábban ékelődnek be és azokat könnyebben lehet vezetni és irányítani.
- g) **Az elektromos kéziszerszámokat, tartozékokat, betétszerszámokat stb. csak ezen előírásoknak használja. Vegye figyelembe a munkafeltételeket és a kivitelezendő munka sajátosságait.** Az elektromos kéziszerszám eredeti rendeltetésétől eltérő célokra való alkalmazása veszélyes helyzetekhez vezethet.
- 5) **SZERVIZ**
- a) **Az elektromos kéziszerszámot csak szakképzett személyzet és csak eredeti pótalkatrészek felhasználásával javíthatja.** Ez biztosítja, hogy az elektromos kéziszerszám biztonságos szerszám maradjon.

## BIZTONSÁGI ELŐÍRÁSOK CSISZOLÓKHOZ

- Ügyeljen arra, hogy a munkadarabban lévő csavar, szög vagy hasonló sérüléseket ne okozhasson; a munka megkezdése előtt eltávolítandó
- A gép mozgó részétől mindig tartsa távol az elektromos kábelt; terelje a tápkábelt a gép hátulja felé, a géptől elfelé
- **Rögzítse a munkadarabot** (befogókészülékkel vagy satuval befogott munkadarabot sokkal biztonságosabban lehet rögzíteni mint a kézzel tartottat)
- A gépet soha ne hagyja bekapcsolt állapotban, ha már nem dolgozik vele
- Használjon teljesben letekerés és biztonságos hosszabbítókábel, 16 A-es teljesítménnyel
- Normálístól eltérő működés valamint szakatlan, idegen hangok esetén a készüléket azonnal kapcsolja ki és a kábelt húzza ki a falı dugaszoló aljzatból
- SKIL cég kizárólag eredeti alkatrészek és kiegészítők alkalmazása esetén tudja garantálni a gép problémamentes működését
- A készüléket csak 16 éven felüli személyek használják
- Munka közben a zaj meghaladhatja a 85 dB(A); használjon fülvédőt
- Ha a kábel munka közben megsérül vagy el van vága, ne érjen a kábelhoz, hanem azonnal húzza ki a konektorból
- Soha ne használja a szerszámot ha a kábel sérült; cseréltesse ki szakértő által
- Mindig ellenőrizze, hogy a hálózati feszültség megegyezik-e a gép adattábláján feltüntetett értékkel (a 230V vagy 240V jelzésű gépek 220V feszültségre is csatlakoztathatók)
- Ez a készülék nedves csiszolási munkálatokhoz nem használható
- **Ne munkáljon meg a berendezéssel azbesztet tartalmazó anyagokat** (az azbesztnek rákkeltő hatása van)
- Az anyagból származó por (mint például az ólomot, néhány fafajtát, ásványi anyagokat és fémeket tartalmazó festékek) káros lehet (a por érintése vagy belégzése allergiás reakciókat és/vagy légzőszervi betegségeket okozhat a kezelő, illetve a közelben állók esetében); **viseljen pormaszkot és amennyiben csatlakoztatható, dolgozzon porelszívó berendezéssel**

- Bizonyos porfajták rákkeltő besorolással rendelkeznek (ilyen például a tölgy- és a bükkfa pora), különösen a fa kondicionálására szolgáló adalékokkal együtt; **viseljen pormaszkot és amennyiben csatlakoztatható, dolgozzon porelszívó berendezéssel**
- Kövesse a por kezelésével kapcsolatos helyi előírásokat azon termékekkel kapcsolatban, amellyel dolgozni kíván
- Fém csiszolásakor szikra keletkezik; ne használjon porzsákot/porszivót; ügyeljen arra, hogy senki ne tartózkodjon a munkaterületen, és ne legyen a közelben gyúlékony anyag
- Ne nyúljon a mozgásban lévő csiszoló papír
- Ne üzemeltesse a csiszológépet kopott, szakadt vagy erősen szoruló csiszoló papírral
- Viseljen védőkesztyűt, védőszemüveget, testhez álló ruházatot és ügyeljen haja védelmére (hosszú haj esetén)
- **Mindig húzza ki a dugaszolóaljzatot mielőtt tartozékok cserélné vagy bármit változtatna a gép beállításán**

## KEZELÉS

- Csiszolótányér
  - soha ne használja a gépet az A vagy B tányér vagy az C alapelem nélkül
  - mindig a munkának megfelelő tányért használja (Isd. Használat)
- ! **a sérült tányért azonnal cserélje ki**
- A tányérok (4) cseréje
  - távolítsa el a VELCRO csiszolóvázsztat
  - távolítsa el a D tányér rögzítő csavart az E hatszögletű kulccsal
  - az ábra szerint szerelje föl az A vagy a B tányért
  - szükség esetén a tányért előtte tisztítsa le
  - húzza meg a D tányért rögzítő csavart a E hatszögletű kulccsal
- ! **A D csavar lazítása/meghúzása közben tartsa erősen a tányért**
- ! **a tányér eltávolítása előtt áramtalanítsa a gépet**
- ! **használat közben a tányér D csavarja felmelegszik; ne érintse meg, amíg le nem hűlt**
- Csiszolópapír rögzítés (5)
  - ! **húzzuk ki a kábel dugóját a csatlakozóaljzatból**
  - helyezze fel a VELCRO csiszolópapírt az ábra alapján
  - ! **a porelszíváshoz perforált, lyukacsos csiszolópapírra van szüksége**
  - ! **a csiszolópapíron lévő perforálásoknak a csiszolóalpon lévő lyukakkal egybe kell esniük**
  - ! **az elhasznált csiszolópapírt időben ki kell cserélni**
  - ! **a készüléket mindig úgy használja, hogy a csiszolópapír fedje a teljes felületet**
- Két-sebességes kapcsoló (6)
  - a gépet az F (2) kapcsoló előre/hátranyomásával kapcsolhatja be/ki (3 pozíció)
    - 0 = ki
    - 1 = alacsony fordulatszám
    - 2 = nagy fordulatszám
  - válassza az 1-es állást a precíz csiszoláshoz (a G delta alakú talp vagy a H, J vagy K speciális csiszoló tartozékok esetében)
  - a 2-es állást a gyors csiszoláshoz
- ! **először kapcsoljuk be a gépet, és csak azután vezessük a munkadarabra**

## ! kikapcsolás előtt készülékét távolítsa el a munkadarabtól

- Speciális csiszoló tartozékok felszerelése (**nem standard tartozék**) ⑦
    - szerelje fel az C alaplapot (a tányérokhoz hasonlóan)
    - szerelje fel a H, J vagy K tartozékat a C alaplapra és rögzítse a L gomb óramutató járásával megegyező elfordításával
    - helyezze fel a megfelelő VELCRO csiszolóvásznat a tartozékra
    - távolítsa el a tartozékokat vagy változtassa meg a pozíciójukat a L gomb óramutató járásának ellenkező irányba történő elfordításával
    - 5 csiszolópozíció
  - Por elszívás ⑧
    - a porzsákot M időben történő ürítése segíti a tökéletes porgyűjtést
- Porszívó használata
- a N gomb megnyomásával távolítsa el a porzsákot M és tartsa ugyanabba a helyzetbe a porzsák hátrafele húzása közben
  - az P adapterre a legkedvezőbb porfelvételhez

## ! ne használjon porzsákot/porszívót fém csiszolásakor

- A gép vezetése és tartása ⑨
    - a gépet tartsa párhuzamosan a megmunkálandó felülettel
- ! ne gyakoroljon túl nagy nyomást a gépre; hagyja azt egyedül dolgozni
- mindig a teljes felülettel csiszoljon, hogy a nemkívánatos csiszolási nyomokat elkerülje
- ! munka közben mindvégig tartsa gépet a szürke színű markolati terület(ek)en
- a szellőzőnyílásokat Q ② mindig tartsa szabadon

## HASZNÁLAT

- Használja a készüléket a delta fej előre mutató részével sarkak, keskeny és nehezen hozzáférhető felületek csiszolásához ⑩
- Használja a készüléket az egyenes részével előre muatatóan, hosszú csiszolásokhoz széles felületeken ⑪
- Görbe munkadarabok csiszolásához és nagyteljesítményű csiszolás esetén használja a szerszámot a A ② tányérral
- Nehezebben hozzáférhető helyek esetén használja a speciális csiszoló tartozékokat ⑫
- A rugalmas csiszoló tartozékok a következőket szolgálják:
  - sarkas felületek kerekítése ⑬a
  - maximum 10 cm átmérőjű gömbölyű felületek csiszolása ⑬b
- Amikor a delta alakú talp G lévő habszivacs éle megkopik vagy megsérül, annak élettartama kétszeresen meghosszabbítható, ha távolítsuk és azt 120°-os szögben elfordítva visszahelyezzük a talpra (ez a megoldás a delta alakú csiszolópapír esetén is alkalmazható) ⑭
- Soha ne használjuk ugyanazt a csiszoló papírt fa és fém esetén
- Ajánlott szemcsefinomságok:
  - durva - festék eltávolításához;különösen nyers fa csiszolásához
  - közepes - nyers fa vagy közönséges facsiszolásához

- finom - fa simításához;kezeletlen fa csiszolásához;régi festékes fafelület simításához
- Nyers felület megmunkálásánál használjunk különböző szemcse nagyságú csiszolópapírt:
  - először durva vagy közepes szemcse nagyságú
  - végül finom szemcse
- A [www.skil.com](http://www.skil.com) címen még több ötletet és javaslatot talál

## KARBANTARTÁS / SZERVIZ

- A szerszám nem professzionális használatra készült
- Mindig tartsa tisztán a gépet és a vezetékét (különös tekintettel a szellőzőnyílásokra Q ②)
- kefe segítségével távolítsa el a szerszámra tapadt csiszolóport
- ! **tisztítás előtt húzza ki a csatlakozódugót**
- Ha a gép a gondos gyártási és ellenőrzési eljárás ellenére egyszer mégis meghibásodna, akkor a javítással csak SKIL elektromos kéziszerszám-műhely ügyfélszolgálatát szabad megbízni
  - küldje az **összeszerelt** gépet a vásárlást bizonyító számlával együtt a kereskedő vagy a legközelebbi SKIL szervizállomás címére (a címlista és a gép szervizdiagramja a [www.skil.com](http://www.skil.com) címen található)

## KÖRNYEZET

- **Az elektromos kéziszerszámokat, tartozékokat és csomagolást ne dobja a háztartási szemétkébe** (csak EU-országok számára)
  - a használt villamos és elektronikai készülékekről szóló 2002/96/EK irányelv és annak a nemzeti jogba való átültetése szerint az használt elektromos kéziszerszámokat külön kell gyűjteni, és környezetbarát módon újra kell hasznosítani
  - erre emlékeztet a ⑮ jelzés, amennyiben felmerül az intézkedésre való igény

## CE MEGFELELŐSÉGI NYILATKOZAT

- Teljes felelősségünk tudatában kijelentjük, hogy jelen termék a következő szabványoknak vagy kötelező hatósági előírásoknak megfelel: EN 60745, EN 61000, EN 55014, a 2004/108/EK, 2006/42/EK, 2011/65/EU előírásoknak megfelelően
- **A műszaki dokumentáció a következő helyen található:** SKIL Europe BV (PT-SEU/ENG1), 4825 BD Breda, NL

Marijn van der Hoofden  
Operations & Engineering

Olaf Dijkgraaf  
Approvals Manager



SKIL Europe BV, 4825 BD Breda, NL  
19.08.2013



## ZAJ/REZGÉS

- Az EN 60745 alapján végzett mérések szerint ezen készülék hangnyomás szintje 75 dB(A) a hangteljesítmény szintje 86 dB(A) (normál eltérés: 3 dB), a rezgésszám 10,7 m/s<sup>2</sup> (kézre-ható érték; szórás K = 1,5 m/s<sup>2</sup>)

- A rezgés-kibocsátási szint mérése az EN 60745 szabványban meghatározott szabványosított teszttel összhangban történt; ez egy eszköznek egy másik eszközzel történő összehasonlítására, illetve a rezgésnek való kitettség előzetes felmérésére használható fel az eszköznek az említett alkalmazásokra történő felhasználása során
  - az eszköznek eltérő alkalmazásokra, vagy eltérő, illetve rosszul karbantartott tartozékokkal történő felhasználása jelentősen **emelheti** a kitettség szintjét
  - az idő, amikor az eszköz ki van kapcsolva, vagy amikor ugyan működik, de ténylegesen nem végez munkát, jelentősen **csökkentheti** a kitettség szintjét
- ! **az eszköz és tartozékai karbantartásával, kezének melegen tartásával, és munkavégzésének megszervezésével védje meg magát a rezgések hatásaitól**

CE

## Multifunkční bruska

7220

### ÚVOD

- Toto nářadí je určené pro broušení za sucha a pro konečnou úpravu dřeva, natřených povrchů, plastických hmot a kitovaných ploch
- Tento nástroj není určen k profesionálnímu použití
- Tento návod s pokyny si pečlivě přečtěte a uschovejte

③

### TECHNICKÉ ÚDAJE ①

#### SOUČÁSTI NÁSTROJE ②

- A Unašeč pro různé druhy broušení
- B Unašeč pro kruhové broušení
- C Základová deska pro brusné příslušenství\*
- D Útažná matka
- E Šestihranný klíč
- F Dvourychlostní přepínač
- G Trojúhelníková patka
- H Drážkové příslušenství\*
- J Pružné brusné příslušenství\*
- K Prstové příslušenství\*
- L Knoflík pro montáž brusného příslušenství\*
- M Lapač prachu
- N Tlačítko pro odejmnutí lapače prachu
- Q Nástavec pro vysavač
- P Větrací šterbiny

\* NENÍ STANDARDNÍ SOUČÁSTÍ

### BEZPEČNOST

#### VŠEOBECNÉ BEZPEČNOSTNÍ PŘEDPISY

**⚠ POZOR! Čtěte všechna varovná upozornění a pokyny.** Zanedbání při dodržování varovných upozornění a pokynů mohou mít za následek úder elektrickým proudem, požár a/nebo těžká poranění. **Všechna varovná upozornění a pokyny do budoucna uschovejte.** Ve

varovných upozorněních použitý pojem "elektronářadí" se vztahuje na elektronářadí provozované na el. síti (se síťovým kabelem) a na elektronářadí provozované na akumulátoru (bez síťového kabelu).

#### 1) BEZPEČNOST PRACOVNÍHO MÍSTA

- a) **Udržujte Vaše pracovní místo čisté a uklizené.** Nepořádek nebo neosvětlené pracovní oblasti mohou vést k úrazům.
- b) **Se strojem nepracujte v prostředích ohrožených explozí, kde se nacházejí hořlavé kapaliny, plyny nebo prach.** Elektronářadí vytváří jiskry, které mohou prach nebo páry zapálit.
- c) **Děti a jiné osoby udržujte při použití elektronářadí daleko od Vašeho pracovního místa.** Při rozptýlení můžete ztratit kontrolu nad strojem.

#### 2) ELEKTRICKÁ BEZPEČNOST

- a) **Připojovací zástrčka stroje musí lícovat se zásuvkou. Zástrčka nesmí být žádným způsobem upravena. Společně se stroji s ochranným uzemněním nepoužívejte žádné adaptérové zástrčky.** Neupravené zástrčky a vhodné zásuvky snižují riziko elektrického úderu.
- b) **Zabraňte kontaktu těla s uzemněnými povrchy, jako např. potrubí, topení, sporáky a chladničky.** Je-li Vaše tělo uzemněno, existuje zvýšené riziko elektrického úderu.
- c) **Chraňte stroj před deštěm a vlhkem.** Vniknutí vody do elektrického stroje zvyšuje nebezpečí elektrického úderu.
- d) **Dbejte na účel kabelu, nepoužívejte jej k nošení či zavěšení stroje nebo vytažení zástrčky ze zásuvky. Udržujte kabel daleko od tepla, oleje, ostrých hran nebo pohyblivých dílů stroje.** Poškozené nebo spletené kabely zvyšují riziko elektrického úderu.
- e) **Pokud pracujete s elektronářadím venku, použijte pouze takové prodlužovací kabely, které jsou schváleny i pro venkovní použití.** Použití prodlužovacího kabelu, jež je vhodný pro použití venku, snižuje riziko elektrického úderu.
- f) **Pokud se nelze vyhnout provozu elektronářadí ve vlhkém prostředí, použijte ochranný jistič.** Nasazení ochranného jističe snižuje riziko úderu elektrickým proudem.

#### 3) BEZPEČNOST OSOB

- a) **Bud'te pozorní, dávejte pozor na to, co děláte a přistupujte k práci s elektronářadím rozumně. Stroj nepoužívejte pokud jste unaveni nebo pod vlivem drog, alkoholu nebo léků.** Moment nepozornosti při použití elektronářadí může vést k vážným poraněním.
- b) **Noste osobní ochranné pomůcky a vždy ochranné brýle.** Nošení osobních ochranných pomůcek jako maska proti prachu, bezpečnostní obuv s protiskluzovou podrážkou, ochranná přilba nebo sluchátka, podle druhu nasazení elektronářadí, snižují riziko poranění.
- c) **Zabraňte neúmyslnému uvedení do provozu. Přesvědčte se, že je elektronářadí vypnuté dříve než jej uchopíte, poneseťe či připojíte na zdroj proudu a/nebo akumulátor.** Máte-li při nošení elektronářadí prst na spínači nebo pokud stroj připojíte ke zdroji proudu zapnutý, pak to může vést k úrazům.
- d) **Než stroj zapnete, odstraňte seřizovací nástroje**

- nebo šroubovák. Nástroj nebo klíč, který se nachází v otáčivém dílu stroje, může vést k poranění.
- e) **Nepřeceňujte se. Zajistěte si bezpečný postoj a vždy udržujte rovnováhu.** Tím můžete stroj v neočekávaných situacích lépe kontrolovat.
  - f) **Noste vhodný oděv. Nenoste žádný volný oděv nebo šperky. Vlasy, oděv a rukavice udržujte daleko od pohyblivých se dílů.** Volný oděv, šperky nebo dlouhé vlasy mohou být zachyceny pohyblivými se díly.
  - g) **Lze-li namontovat odsávací či zachycující přípravky, přesvědčte se, že jsou připojeny a správně použity.** Použití odsávání prachu může snížit ohrožení prachem.
- #### 4) SVĚDOMITÉ ZACHÁZENÍ A POUŽÍVÁNÍ ELEKTRONÁRAĐÍ
- a) **Stroj nepřetěžujte. Pro svou práci použijte k tomu určený stroj.** S vhodným elektronářadím budete pracovat v udané oblasti výkonu lépe a bezpečněji.
  - b) **Nepoužívejte žádné elektronářadí, jehož spínač je vadný.** Elektronářadí, které nelze zapnout či vypnout je nebezpečné a musí se opravit.
  - c) **Než provedete seřízení stroje, výměnu dílů příslušenství nebo stroj odložíte, vytáhněte zástrčku ze zásuvky a/nebo odstraňte akumulátor.** Toto preventivní opatření zabrání neúmyslnému zapnutí stroje.
  - d) **Uchovávejte nepoužívané elektronářadí mimo dosah dětí. Nenechte stroj používat osobám, které se strojem nejsou seznámeny nebo nečetly tyto pokyny.** Elektronářadí je nebezpečné, je-li používáno nezkušenými osobami.
  - e) **Pečujte o stroj svědomitě. Zkontrolujte, zda pohyblivé díly stroje bezvadně fungují a nevzpříčují se, zda díly nejsou zlomené nebo poškozené tak, že je omezena funkce stroje. Poškozené díly nechte před nasazením stroje opravit.** Mnoho úrazů má příčinu ve špatně udržovaném elektronářadí.
  - f) **Rezné nástroje udržujte ostré a čisté.** Pečlivě ošetřované rezné nástroje s ostrými reznými hranami se méně vzpříčují a dají se lehčeji vést.
  - g) **Používejte elektronářadí, příslušenství, nasazovací nástroje apod. podle těchto pokynů. Respektujte přitom pracovní podmínky a prováděnou činnost.** Použití elektronářadí pro jiné než určující použití může vést k nebezpečným situacím.
- #### 5) SERVIS
- a) **Nechte Váš stroj opravit pouze kvalifikovaným odborným personálem a pouze s originálními náhradními díly.** Tím bude zajištěno, že bezpečnost stroje zůstane zachována.

#### BEZPEČNOSTNÍ PŘEDPISY PRO BRUSKY

- Vrtačku nepoužívejte je-li navhlá a nepracujte v blízkosti snadno zápalných nebo výbušných materiálů; před zahájením práce je odstraňte
- Šňůru udržujte vždy mimo dosah pohyblivých částí nástroje; šňůru nasměrujte dozadu, pryč od nástroje
- **Zajistěte obráběný díl** (obráběný díl uchycený pomocí upínacích zařízení nebo ve svěráku je mnohem bezpečnější než v ruce)
- Jakmile se hodláte vzdálit od nářadí, měl byste ho vypnout a vyčkat, dokud se pohyblivé části nezastaví

- Používejte zcela rozvinuté a bezpečné prodlužovací šňůry o kapacitě 16 ampér
- V případě atypického chování nebo cizích hluků ihned vypněte nářadí a vytáhněte zástrčku
- SKIL zajistí bezvadnou funkci nářadí pouze tehdy, používáte-li původní značkové
- Tento nástroj nesmí používat osoby mladší 16 let
- Hladina hluku může při práci přesáhnout 85 dB(A); vhodným prostředkem si chraňte udi
- Jestliže původní šňůru při práci podkóдите nebo proříznete, nedotýkejte se jí a okamžitě ji vytáhněte ze síťové zásuvky
- Pila se nesmí používat, je-li její původní šňůra poškozená; nechte si je kvalifikovaným pracovníkem vyměnit
- Vždy zkontrolujte, zda je napájecí napětí stejné jako napětí uvedené na typovém štítku nástroje (nářadí určené k napájení 230V nebo 240V lze použít též v síti 220V)
- Tento nářadí není vhodné k broušení za mokra
- **Nepracovávajte žádný materiál obsahující azbest** (azbest je karcinogenní)
- Prach z látek, jako jsou barvy obsahující olovo, některé druhy dřeva, minerály a kovy, může být škodlivý (kontakt s prachem nebo jeho vdechnutí může způsobit alergickou reakci a/nebo vyvolat respirační choroby u obsluhy nebo přihlížejících); **nošte protiprachovou masku a pracujte se zařízením na odsávání prachu, pokud je možné jej připojit**
- Některé druhy prachu jsou klasifikovány jako karcinogenní (například dubový a bukový prach) zejména ve spojení s přísadami pro úpravu dřeva; **nošte protiprachovou masku a pracujte se zařízením na odsávání prachu, pokud je možné jej připojit**
- Dodržujte stanovená nařízení pro práci v prašném prostředí
- Při broušení vznikají jiskry; nepoužívejte lapač prachu/odsávání a pracoviště udržujte čisté a nepouštějte k němu neoprávněné osoby
- Nedotýkejte se pohyblivého se brusného papíru
- Opatřebovaný, natřazený nebo zanesený brusný papír vždy ihned vyměňte
- Při práci použijte ochranné rukavice, ochranné brýle, sítku na vlasy (dlouhé) a oděv, který se nástrojem nemůže zachytit
- **Před seřízením, měněním pilových listů a příslušenství, vždy vytáhněte zástrčku nářadí z el. sítě**

#### OBSLUHA

- Unášec
  - v žádném případě nepoužívejte přístroj bez unášče A nebo B nebo základové desky C
  - vždy zvolte odpovídající unášec k jeho použití (viz: Uživatelské Pokyny)
- ! **poškozený unášec ihned nahradte novým**
- Výměna unášců ④
  - sejměte brusný papír VELCRO
  - povolte útažnou matku unášče D pomocí imbusového klíče E
  - namontujte unášec A nebo B tak, jak je uvedeno na obrázku
  - vždy je nutné unášec nejprve očistit
  - utáhněte útažnou matku unášče D pomocí imbusového klíče E

- ! při povolování/utahování útažné matky unašeče D unašeč pevně držte
- ! před sejmutím unašeče, vytáhněte zástrčku ze zásuvky
- ! útažná matka unašeče D se během používání velmi zahřívá; nedotýkejte se jí, dokud nevychladne
- Připevňování brusného papíru ⑤
  - ! rozpojte přívodní šňůru
  - upevněte brusný papír VELCRO podle obrázku
  - ! pro odsávání je nutné používat perforovaný brusný papír
  - ! otvory v brousící papíru musí souhlasit s otvory v brousící desu
  - ! opotřebovaný papír včas vyměňte
  - ! vždy nařadí tak, že celý brusný povrch pokryjete brusným papírem
- Dvourychlostní přepínač ⑥
  - zapněte/vypněte nářadí pomocí spínače F ② posunutím dopředu/směru (3 polohy)
    - 0 = vypnuto
    - 1 = nízká rychlost
    - 2 = vysoká rychlost
  - pro přesné broušení zvolte polohu 1 (pokud pracujete s trojúhelníkovým nástavcem G nebo speciálním brusným příslušenstvím H, J nebo K)
  - pro rychlé broušení zvolte polohu 2
  - ! brusku nejprve zapněte a pak přiložte brousící plochy na obráběný předmět
  - ! před vypnutím nářadí nejprve odejměte od obrobku
- Upevnění speciálního brusného příslušenství (není standardní součástí příslušenství) ⑦
  - namontujte základovou desku C (podobně jako u montáže unašečů)
  - namontujte příslušenství H, J nebo K na základovou desku C a upevněte je otočením knoflíkem L ve směru hodinových ručiček
  - k brusnému příslušenství upevněte příslušný brusný papír VELCRO
  - odejměte příslušenství nebo je změňte jeho polohu otočením knoflíkem L proti směru hodinových ručiček
  - 5 brusné polohy
- Odsávání prachu ⑧
  - k zajištění optimálního odsávání prachu pravidelně vyprázdňete lapač prachu M
  - Při použití odsávání
    - odstraňte lapač prachu M stisknutím tlačítka N, přidržte tlačítko v této poloze a vytáhněte lapač prachu směrem dozadu
    - odsávací hadice nasazená na adaptér P
    - ! při broušení kovů lapač prachu/vysavač nepoužívejte
- Držení a vedení nástroje ⑨
  - udržujte brusku rovnoběžně s obráběnou plochou
  - ! na nářadí přilid netlačte, nechte pracovat brousící plochu za vás
  - zabráníte tak vzniku nežadoucích rýh na obráběném materiálu
  - ! při práci vždy držte nástroj v šedě zabarvené oblasti rukojeti
  - udržujte větrací štěrbiny Q ② nezakryté

## NÁVOD K POUŽITÍ

- V rozích, zúžených a jiných těžko dostupných místech bruste špičkou ⑩
- Rovné povrchy bruste plochou částí ⑪
- Při broušení zakřivených obrobků a také při broušení v režimu vysokého výkonu odstraňování používejte nástroj spolu s unašečem A ②
- Použijte nástroj se speciálním brusným příslušenstvím k opracování těžko přístupných míst ⑫
- Pružné brusné příslušenství je určeno k opracování
  - ploch se zaoblenými okraji ⑬a
  - zakulacených ploch sřmaximálním průměrem 10 cm ⑬b
- Když se se trojúhelníková patka G na povrchu opotřebí nebo podkodí, její životnost můžete prodloužit dvakrát tím, že ji sejmíte, otočíte o 120° a vložíte zpátky (totéž platí pro trojúhelníkový list brusného papíru) ⑭
- Dřevo a kovy se nesmí brousit stejným brusným papírem
  - Doporučená zrnitost brousícího papíru
 

hrubý	- k odstranění barev;k broušení velmi hrubého dřeva
střední	- k broušení hrubého nebo hladkého dřeva
jemný	- k vyhlazování dřeva;k zabroušení neopracovaných hladkých ploch na dřevě; k vyhlazování ploch se zbytky staré barvy
- Použijte různé zrnění, jestliže je opracovaná plocha hrubá
  - z počátku použijte papír se hrubým nebo středním zrněním
  - práci dokončete papírem s jemným zrněním
- Další tipy najdete na [www.skil.com](http://www.skil.com)

## ÚDRŽBA / SERVIS

- Tento nástroj není určen k profesionálnímu použití
- Nástroj a přívodní šňůru udržujte čisté (zejména větrací štěrbiny Q ②)
  - brusný prach Inoucí k nástroji odstraňte kartáčem
  - ! před čištěním odpojte zástrčku
- Pokud dojde i přes pečlivou výrobu a náročné kontroly k poruše nástroje, svěřte provedení opravy autorizovanému servisnímu středisku pro elektronářadí firmy SKIL
  - zašlete nástroj **nerozebraný** spolu s potvrzením o nákupu své prodejné nebo nejbližšímu servisu značky SKIL (adresy a servisní schéma nástroje najdete na [www.skil.com](http://www.skil.com))

## ŽIVOTNÍ PROSTŘEDÍ

- Elektrické nářadí, doplňky a balení nevyhazujte do komunálního odpadu (jen pro státy EU)
  - podle evropské směrnice 2002/96/EG o nakládání s použitými elektrickými a elektronickými zařízeními a odpovídajících ustanovení právních předpisů jednotlivých zemí se použitá elektrická nářadí, musí sbírat odděleně od ostatního odpadu a podrobit ekologicky šetrnému recyklování
  - symbol ⑮ na to upozorňuje



## PROHLÁŠENÍ O SHODĚ CE

- Potvrzujeme na odpovědnost, že tento výrobek odpovídá následujícím normám nebo normativním podnikům: EN 60745, EN 61000, EN 55014, podle ustanovení směrnice 2004/108/ES, 2006/42/ES, 2011/65/EU
- **Technická dokumentace u:** SKIL Europe BV (PT-SEU/ENG1), 4825 BD Breda, NL

Marijn van der Hoofden      Olaf Dijkgraaf  
Operations & Engineering      Approvals Manager

SKIL Europe BV, 4825 BD Breda, NL  
19.08.2013

### HLUČNOSTI/VIBRACÍ

- Měřeno podle EN 60745 činní tlak hlukové vlny tohoto přístroje 75 dB(A) a dávka hlučnosti 86 dB(A) (standardní odchylka: 3 dB), a vibrací 10,7 m/s<sup>2</sup> (metoda ruka-paže; nepřesnost K = 1,5 m/s<sup>2</sup>)
  - Úroveň vibrací byla měřena v souladu se standardizovaným testem podle EN 60745; je možné ji použít ke srovnání jednoho přístroje s druhým a jako předběžné posouzení vystavování se vibracím při používání přístroje k uvedeným aplikacím
    - používání přístroje k jiným aplikacím nebo s jiným či špatně udržovaným příslušenstvím může zásadně **zvýšit** úroveň vystavení se vibracím
    - doba, kdy je přístroj vypnutý nebo kdy běží, ale ve skutečnosti není využíván, může zásadně **snižit** úroveň vystavení se vibracím
- ! chraňte se před následky vibrací tak, že budete dbát na údržbu přístroje a příslušenství, budete si udržovat teplé ruce a uspořádáte si své pracovní postupy**

TR

## Multi zimpára

7220

### GİRİŞ

- Bu alet kuru zimpáralama işlemi ve ahşap yüzeyleri, boyalı yüzeyleri, plastik yüzeyleri ve boşluk doldurucu maddeleri zimpáralama amaçlıdır
- Bu alet profesyonel kullanıma yönelik değildir
- Bu kullanma kılavuzunu okuyun ve saklayın ③

### TEKNİK VERİLER ①

#### ALET BİLEŞENLERİ ②

- A Çok amaçlı zimpáralama için zimpára tablası
- B Rastgele orbit zimpáralama için zimpára tablası
- C Zimpáralama donanımları için taban plakası\*
- D Tabla somunu
- E Altıgen anahtar
- F İki devirli düğme
- G Üçgen uç
- H "Louvre" donanım\*

- J Esnek zimpáralama donanımı\*
- K Parmak donanımı\*
- L Zimpáralama donanımlarını takma düğmesi\*
- M Toz torbası
- N Toz torbasını çıkarma düğmesi
- P Elektrikli süpürge yuvası
- Q Havalandırma yuvaları

\* STANDART OLARAK DAHİL DEĞİLDİR

## GÜVENLİK

### GENEL GÜVENLİK TALIMATI

**⚠ DİKKAT!** Bütün uyarıları ve talimat hükümlerini okuyun. Açıklanan uyarılara ve talimat hükümlerine uyulmadığı takdirde elektrik çarpmalarına, yangınlara ve/veya ağır yaralanmalara neden olunabilir. **Bütün uyarıları ve talimat hükümlerini ileride kullanmak üzere saklayın.** Uyarı ve talimat hükümlerinde kullanılan "elektrikli el aleti" kavramı, akım şebekesine bağlı (şebeke bağlantı kablosu ile) aletlerle akü ile çalışan aletleri (akım şebekesine bağlantısı olmayan aletler) kapsamaktadır.

#### 1) ÇALIŞMA YERİ GÜVENLİĞİ

- Çalıştığınız yeri temiz ve düzenli tutun.** İşyerindeki düzensizlik veya yetersiz aydınlatma kazalara neden olabilir.
- Yanıcı sıvıların, gazların veya tozların bulunduğunu patlama tehlikesi olan yer ve mekânlarda aletinize çalışmayın.** Elektrikli el aletleri, toz veya buharların tutuşmasına veya yanmasına neden olan kıvılcıklar çıkarırlar.
- Elektrikli el aletinize çalışırken çocukları ve başkalarını çalışma alanınızın uzağında tutun.** Yakınızdaki bulunan kişiler dikkatinizi dağıtabilir ve bu da alet üzerindeki kontrolünüzü kaybetmenize neden olabilir.

#### 2) ELEKTRİKSEL GÜVENLİK

- Aletinize bağlantı fişi prize uymalıdır. Fişi hiçbir şekilde değiştirmeyin. Koruyucu topraklamalı aletlerle adaptörlü fiş kullanmayın.** Değiştirilmemiş, orijinal fiş ve uygun prizler elektrik çarpması tehlikesini azaltır.
- Borular, kalorifer tesisatı, ısıtıcılar ve buzdolapları gibi topraklanmış yüzeylerle bedensel temasa gelmekten kaçının.** Eğer bedeniniz topraklanacak olursa yüksek bir elektrik çarpması tehlikesi ortaya çıkar.
- Aletinizi yağmur ve nemden koruyun.** Elektrikli el aletinin içine suyun sızması elektrik çarpması tehlikesini yükseltir.
- Kabloyu kendi amacı dışında kullanmayın; örneğin aleti kablodan tutarak taşımayın, aleti kablo ile asmayın veya kablodan çekerek fişi prizden çıkarmayın. Kabloyu aşırı sıcaktan, yağlardan, keskin kenarlı cisimlerden veya aletin hareketli parçalarından uzak tutun.** Hasarlı veya dolaşmış kablo elektrik çarpması tehlikesini yükseltir.
- Elektrikli el aletinize açık havada çalışırken mutlaka açık havada kullanılmaya müsadeeli uzatma kablosu kullanın.** Açık havada kullanılmaya uygun ve müsadeeli uzatma kablosunun kullanılması elektrik çarpması tehlikesini azaltır.
- Elektrikli el aletinin nemli ortamlarda çalıştırılması**

**şartsa, mutlaka toprak kaçacağı devre kesicisi kullanın.** Toprak kaçacağı devre kesicisi kullanımı elektrik çarpmaya tehlikesini azaltır.

### 3) KİŞİLERİN GÜVENLİĞİ

- a) **Dikkatli olun, ne yaptığınıza dikkat edin ve elektrikli el aletinizle çalışırken makul hareket edin.** Yorgunsanız, hap, ilaç veya alkol almışsanız aletinizi kullanmayın. Aletinizi kullanırken bir anlık dikkatsizliğinizin ciddi yaralanmalara yol açabilir.
- b) **Daima kişisel korunma donanımları ve bir koruyucu gözlük kullanın.** Elektrikli el aletinin türü ve kullanımına uygun olarak kullanacağınız toz maskesi, kaymayan sağlam iş ayakkabıları, koruyucu kask veya koruyucu kulaklık gibi kişisel korunma donanımlarını kullanmanız yaralanma tehlikesini büyük ölçüde azaltır.
- c) **Aleti yanlışlıkla çalıştırmaktan kaçının. Akım ikmal şebekesine ve/veya aküye bağlanmadan, elinize alıp taşımadan önce elektrikli el aletinin kapalı durumda olduğundan emin olun.** Elektrikli el aletini parmağınız şalter üzerinde dururken taşırsanız ve alet açıkken fişi prize sokarsanız kazalara neden olabilirsiniz.
- d) **Aleti çalıştırmadan önce ayar aletlerini veya tornavidaları aletten uzaklaştırın.** Dönen alet parçasına temas halinde bulunan bir uç veya anahtar yaralanmalara neden olabilir.
- e) **Kendinize çok fazla güvenmeyin. Duruşunuzun güvenli olmasına dikkat edin ve daima dengenizi koruyun.** Bu sayede aletinizi beklenmedik durumlarda daha iyi kontrol edersiniz.
- f) **Uygun iş giysileri giyin. Çalışırken çok bol giysiler giymeyin ve takı takmayın. Saçlarınızı, giysilerinizi ve eldivenlerinizi aletin hareketli parçalarından uzak tutun.** Bol giysiler, takılar veya uzun saçlar aletin hareketli parçaları tarafından tutulabilir.
- g) **Aletimize toz emme donanımı ve toz tutma donanımı takılabiliyorsa, bunların bağlı olup olmadığını ve doğru işlev görüp görmediklerini kontrol edin.** Toz emme donanımının kullanımı tozdan kaynaklanabilecek tehlikeleri azaltır.
- 4) **ELEKTRİKLİ EL ALETLERİYLE DİKKATLİ ÇALIŞMAK VE ALETİ DOĞRU KULLANMAK**
- a) **Aletinizi aşırı ölçüde zorlamayın. İşinize uygun elektrikli el aletini kullanın.** Uygun elektrikli el aleti ile belirtilen performans alanında daha iyi ve daha güvenli çalışırsınız.
- b) **Açma/kapama şalteri arızalı olan elektrikli el aletini kullanmayın.** Açılıp kapanamayan bir elektrikli el aleti tehlikelidir ve onarılması gerekir.
- c) **Alette bir ayarlama işleme başlamadan ve/veya aküyü çıkarmadan önce, herhangi bir aksesuarı değiştirirken veya aleti elinizden bırakırken fişi prizden çekin.** Bu önlem, aletin kontrolünüz dışında ve istenmeden çalışmasını önler.
- d) **Kullanım dışında iken elektrikli el aletinizi çocukların ulaşamayacağı bir yerde saklayın. Aleti kullanmayı bilmeyen veya bu güvenlik talimatını okumayan kişilerin aleti kullanmasına izin vermeyin.** Deneyimsiz kişiler tarafından kullanıldıkları takdirde elektrikli el aletleri tehlikeli olabilirler.
- e) **Aletinizin bakımını özenle yapın. Aletin hareketli parçalarının kusursuz işlev görüp görmediklerini ve sıkışmadıklarını, parçalarını kırık veya hasarlı olup olmadıklarını kontrol edin, aksi takdirde alet işlevini**

**tam olarak yerine getiremez. Aletinizi kullanmadan önce hasarlı parçaları onartın.** Birçok iş kazası aletlerin kötü ve yetersiz bakımından kaynaklanır.

- f) **Kesici uçları keskin ve temiz tutun.** İyi bakım görmüş kesici uçlar daha ender sıkışır ve daha iyi yönlendirilirler.
- g) **Elektrikli el aletlerini, aksesuarı, uçları ve benzerlerini bu güvenlik talimatına uygun olarak kullanın. Aletinizi kullanırken çalışma koşullarını ve yaptığınız işi daima dikkate alın.** Elektrikli el aletlerini kendileri için öngörülen işlerin dışında kullanmak tehlikeli durumların ortaya çıkmasına neden olabilir.
- 5) **SERVİS**
- a) **Aletinizi sadece uzman bir elemana ve orijinal yedek parçalar kullanılarak onartın.** Böylelikle aletin güvenliğini korumuş olursunuz.

### ZIMPARALARA İÇİN GÜVENLİK TALİMATI

- İş parçasının vida, çivi ve benzeri malzeme tarafından hasar görmemesi için dikkatli olun; çalışmaya başlamadan önce bunları çıkartın
- Kabloyu her zaman aletin hareketli parçalarından uzak tutun; kabloyu arka tarafta araçtan uzakta bulundurun
- **Çalıştığınız parçayı sabitleyin** (kıskaçlarla ya da mengeneyle sabitlenmiş bir iş parçası elle tutulan işten daha güvenlidir)
- Aletinizi bırakıp gitmeden önce mutlaka kapatın ve döner parçaların tam olarak durmasını bekleyin
- Tamamen kusursuz ve güvenli 16 Amp uzatma kabloları kullanın
- Elektriksel veya mekaniksel hatalı çalışma durumunda aleti hemen kapatın ve fişi çekin
- SKIL sadece orijinal aksesuarlar kullanıldığında aletin düzgün çalışmasını garanti eder
- Bu alet 16 yaşının altındaki kişiler tarafından kullanılmamalıdır
- Cihaz çalışırken gürültü seviyesi 85 dB(A) desibel kadar çıkabilir; kulak koruyucu kullanınız
- Eğer cihazı kullanırken kordona hasar görür yada kesilirse, kordona kesinlikle dokunmayınız ve derhal fişi çekiniz
- Kordona hasarlı iken cihazı kesinlikle kullanmayınız; uzman bir kişi tarafından değiştiriniz
- Güç geriliminin, aletin özellik plakasında belirtilen voltaj değeriyle aynı olduğunu sık sık kontrol edin (230V veya 240V aletler 220V kaynağa bağlanabilir)
- Bu alet sulu zımparalama işlerine uygun değildir
- **Bu aletle asbest içeren malzemeleri işlemeyin** (asbest kanserojen bir madde kabul edilir)
- Kurşun içeren boya, bazı ahşap türleri, mineral ve metal gibi malzemelerden çıkan toz zararlı olabilir (tozla temasta bulunulması veya solunması operatörde veya yakında bulunan kişilerde alerjik reaksiyonlara ve/veya solunum yolu hastalıklarına neden olabilir); **toz maskesi takın ve toz ekstraksiyon cihazıyla çalışın (bağlanabiliyorsa)**
- Bazı toz tipleri (örneğin meşe ve kayın ağacı tozu), bilhassa ahşap yenileme katkı maddeleriyle birlikte, kansinojenik olarak sınıflandırılır; **toz maskesi takın ve toz ekstraksiyon cihazı ile çalışın (bağlanabiliyorsa)**
- Çalışmak istediğiniz malzemelerin, toz ile ilgili ulusal taleplerini takip edin
- Metalleri zımparalarken sırasında kıvılcımlar oluşur; toz torbası/elektrik süpürgesi kullanmayın ve diğer

çalışanları ve yanıcı malzemeleri çalışma alanınızdan uzak tutunuz

- Hareket halindeki zımpara kağıdını dokunmayın
- Aşınmış, yırtılmış veya gözenekleri aşırı ölçüde dolmuş zımpara kağıtlarını kullanmayın
- Koruyucu iş eldivenleri giyin, koruyucu gözlük, dar giysiler ve saç koruyucu (saçlarınız uzunsa)
- **İstedığınız ayar değişikliklerini ve aksesuar değişikliklerini yapmadan önce mutlaka şebeke fişini prizden çekin**

## KULLANIM

- Zımpara tablası
  - aleti hiçbir zaman zımpara tablası A veya B, veya taban plakası C olmadan çalıştırmayın
  - uygun zımpara tablasını uygun işlerde kullanın (bakınız: Kullanım)
- **! hasar gören zımpara tablasını hemen değiştirin**
- Zımpara tablalarını değiştirmek ④
  - VELCRO zımpara kağıdını çıkarın
  - tabla somununu D alyen anahtar E ile çıkarın
  - zımpara tablasını A veya B gösterildiği gibi takın
  - eğer gerekiyorsa önceden zımpara tablasını temizleyin
  - tabla somununu D alyen anahtar E ile sıkın

**! tabla somununu gevşetirken/sıkarken zımpara tablasını sıkıca tutun D**

**! zımpara tablasını çıkarmadan önce şebeke bağlantı kablosu fişini prizden çekin**  
**! kullanım sırasında tabla somunu D aşırı ısınabilir; soğuyana kadar elle temas etmeyiniz**

- Zımpara kağıdı tespiti ⑤
  - **! şebeke fişini çekin**
  - VELCRO zımpara kağıdını gösterilen şekilde takın
  - ! toz emdirme için delikli zımpara kağıtlarına ihtiyacınız vardır**
  - ! zımpara kağıdının delikleri zımpara levhasının deliklerine uymalıdır**
  - ! aşınmış zımpara kağıtlarını zamanında yenileyin**
  - ! aletin daima tüm zımparalama yüzeyini zımpara kağıdı ile kaplayarak kullanın**

- İki devirli düğme ⑥
  - aleti açık/kapalı konuma F ② şalterini ileriye/geriye getirerek çalıştırabilirsiniz (3 konum)  
0 = kapama  
1 = düşük devir  
2 = yüksek devir
  - doğru zımparalama için pozisyon 1'i seçin (üçgen uç G veya özel zımparalama donanımları H, J ya da K ile çalışırken)
  - hızlı zımparalamak için pozisyon 2'yi seçin
  - ! aletin zımparalama yüzeyi iş parçasına temas etmeden önce aletin çalıştırılması gerekir**
  - ! aleti kapatmadan önce iş parçası üzerinden kaldırın**
- Özel zımparalama donanımlarının takılması (standart olarak dahil değildir) ⑦
  - taban plakasını takın C (zımpara tablalarını takmaya benzer)
  - H, J veya K donanımını taban plakası C üzerine takın ve düğmeyi L saat yönünde çevirerek sıkın
  - uygun VELCRO zımpara kağıdını zımparalama donanımına takın
  - düğmeyi L saat yönünün tersine doğru çevirerek

donanımları çıkarın veya donanımların pozisyonunu değiştirin

- 5 zımparalama pozisyonu
- Toz emme ⑧
  - toz torbasının M düzenli olarak temizlenmesi toz tutma kapasitesini optimal düzeyde tutar
- Elektrik süpürgesi kullanırken
  - düğmeyi N sola iterek toz torbasını M çıkarın ve toz torbasını geriye doğru çekerken düğmeyi aynı konumda tutun
  - üzerine emme elektrik süpürgesinin hortumunu adaptörü P takın
- **! metalleri zımparalarken toz torbası/elektrik süpürgesini kullanmayın**
- Aletin tutulması ve kullanılması ⑨
  - aleti, işlediğiniz yüzeye paralel olarak tutun
  - ! alet üzerinde fazla baskı uygulamayın; bırakın aletin zımparalama yüzeyi sizin için çalışsın**
  - aletin yüzeye olan paralellliğini bozmayın, aksi takdirde işlenen yüzeyde istenmeyen zımpara izleri oluşur
  - ! çalışma esnasında, aleti daima gri renkli bölge(ler)den tutunuz**
  - havalandırma yuvalarını Q ② açık tutun

## UYGULAMA

- Aleti dar ve zor yerlerde kullanırken üçgen levhanın sıvrı ucunu öne getirerek kullanın ⑩
- Aleti kullanırken üç köşesinde oturmuş olmasına dikkat ediniz ⑪
- Kıvrımlı iş parçalarını zımparalamanın yanı sıra yüksek sökme performansı ile zımparalama için aleti zımpara tablası A ② ile kullanın
- Erişimi güç yerler için aleti özel zımparalama donanımlarıyla kullanın ⑫
- Esnek zımparalama donanımı kullanılacak durumlar
  - kenar yüzeylerin yuvarlatılması ⑬a
  - en fazla 10 cm çaplı bütün yuvarlatılmış yüzeyler ⑬b
- Üçgen uçtaki G köpük taban aşındığında yada zarar gördüğünde çıkartıp 120 derece döndürüp tekrar yerine takarak ömrünü uzatabilirsiniz (üçgen zımpara kağıdında da kullanılabilir) ⑭
- Ayın zımpara kağıdını ile hiçbir zaman hem tahta, hem de metalleri zımparalamayın
- Önerilen zımpara kağıdı kum kalınlıkları
  - kaba
    - boyaların kazınması için;hiç işlenmemiş tahtanın zımparalanması için
  - orta
    - kaba veya basit tahtanın zımparalanması için
  - ince
    - tahtanın parlatılması için;işlenmemiş tahtanın işlenmesi için;eski boyalı yüzeylerin parlatılması için
- İşlediğiniz yüzey ham ise çeşitli kum büyüklüğündeki zımpara kağıtları kullanın:
  - başlangıçta iri veya orta kum büyüklüğündeki zımpara kağıtları ile çalışın
  - işin sonunda ince kum kalınlığındaki zımpara kağıtları kullanın
- Daha fazla ipucu için www.skil.com sitesini gezin

## BAKIM / SERVİS

- Bu alet profesyonel kullanıma yönelik değildir
- Aleti ve kablosunu daima temiz tutun (özellikle

havalandırma yuvalarını Q ②)

- yapışan zımpara tozunu bir fırça ile temizleyin

**! temizlemeden önce, cihazın fişini prizden çekin**

- Dikkatli biçimde yürütülen üretim ve test yöntemlerine rağmen aleti arıza yapacak olursa, onarım SKIL elektrikli aletleri için yetkili bir serviste yapılmalıdır
- aleti ambalajıyla birlikte satın alma belgenizde ekleyerek satıcınıza veya en yakın SKIL servisine ulaştırın (adresler ve aletin servis şemaları www.skil.com adresinde listelenmiştir)

## ÇEVRE

- **Elektrikli aletlerini, aksesuarları ve ambalajları evdeki çöp kutusuna atmayınız** (sadece AB ülkeleri için)
- kullanılmış elektrikli aletleri, elektrik ve elektrikli eski cihazlar hakkındaki 2002/96/EC Avrupa yönergelerine göre ve bu yönergeler ulusal hukuk kurallarına göre uyulararak, ayrı olarak toplanmalı ve çevre şartlarına uygun bir şekilde tekrar değerlendirmeye gönderilmelidir
- sembol 15 size bunu anımsatmalıdır

## CE UYGUNLUK BEYANI

- Yeğane sorumlu olarak, bu ürünün aşağıdaki standartlara veya standart belgelerine uygun olduğunu beyan ederiz: EN 60745, EN 61000, EN 55014, yönetmeliği hükümleri uyarınca 2004/108/EG, 2006/42/EG, 2011/65/EU
- **Teknik belgelerin bulunduğu merkez:** SKIL Europe BV (PT-SEU/ENG1), 4825 BD Breda, NL

Marijn van der Hoofden  
Operations & Engineering

Olaf Dijkgraaf  
Approvals Manager

SKIL Europe BV, 4825 BD Breda, NL

19.08.2013

## GÜRÜLTÜ/TİTREŞİM

- Ölçülen EN 60745 göre ses basıncı bu makinanın seviyesi 75 dB(A) ve çalışma sırasındaki gürültü 86 dB(A) (standart sapma: 3 dB), ve titreşim 10,7 m/s<sup>2</sup> (el-kol metodu; tolerans K = 1,5 m/s<sup>2</sup>)
- Titreşim emisyon seviyesi EN 60745'te sunulan standart teste göre ölçülmüştür; bu seviye, bir aleti bir başkasıyla karşılaştırmak amacıyla ve aletin söz konusu uygulamalarda kullanılması sırasında titreşime maruz kalma derecesinin ön değerlendirmesi olarak kullanılabilir
- aletin farklı uygulamalar için veya farklı ya da bakımı yetersiz yapılmış aksesuarlarla kullanılması, maruz kalma seviyesini belirgin biçimde **arttırabilir**
- aletin kapalı olduğu veya çalıştığı ancak gerçek anlamda iş yapmadığı zamanlarda, maruz kalma seviyesi belirgin biçimde **azalabilir**
- ! aletin ve aksesuarlarının bakımını yaparak, ellerinizi sıcak tutarak ve iş modellerinizi düzenleyerek kendinizi titreşimin etkilerinden koruyun**

PL

## Szlifierki wielofunkcyjnej

7220

## WSTĘP

- Niniejsze elektronarzędzie przeznaczone jest do szlifowania na sucho i obróbki końcowej drewna, powierzchni malowanych, plastiku i kitu
- Narzędzie nie jest przeznaczone do zastosowań profesjonalnych
- Przeczytać i zachować niniejszą instrukcję obsługi ③

## PARAMETRY TECHNICZNE ①

### ELEMENTY NARZĘDZIA ②

- A Talerz szlifierski do szlifowania wielofunkcyjnego
- B Talerz szlifierski do szlifowania mimośrodowego
- C Płyta podstawy do nasadek szlifujących\*
- D Śruba talerza
- E Klucz sześciokątny
- F Przełącznik drugiej prędkości
- G Końcówka trójkątna
- H Nasadka szczelinowa "Louvre"™
- J Elastyczna nasadka szlifująca\*
- K Nasadka na palec\*
- L Pokrętko do mocowania nasadek szlifujących\*
- M Odpylnik
- N Przycisk wyjmowania odpylnika
- P Króciec do węża odkurzacza
- Q Szczeliny wentylacyjne

\* NIEDOSTĘPNA W STANDARDZIE

## BEZPIECZEŃSTWO

### OGÓLNE PRZEPISY BEZPIECZEŃSTWA

**! UWAGA! Należy przeczytać wszystkie wskazówki i przepisy.** Błędy w przestrzeganiu poniższych wskazówek mogą spowodować porażenie prądem, pożar i/lub ciężkie obrażenia ciała. **Należy starannie przechowywać wszystkie przepisy i wskazówki bezpieczeństwa dla dalszego zastosowania.** Użyte w poniższym tekście pojęcie "elektronarzędzie" odnosi się do elektronarzędzi zasilanych energią elektryczną z sieci (z przewodem zasilającym) i do elektronarzędzi zasilanych akumulatorami (bez przewodu zasilającego).

### 1) BEZPIECZEŃSTWO MIEJSCA PRACY

- Miejsce pracy należy utrzymywać w czystości i dobrze oświetlone.** Nieporządek lub nie oświetlone miejsce pracy mogą doprowadzić do wypadków.
  - Nie należy pracować tym narzędziem w otoczeniu zagrożonym wybuchem, w którym znajdują się np. łatwopalne ciecze, gazy lub pyły.** Elektronarzędzia wytwarzają iskry, które mogą podpalić ten pył lub pary.
  - Elektronarzędzie trzymać podczas pracy z daleka od dzieci i innych osób.** Przy nieuwadze można stracić kontrolę nad narzędziem.
- ### 2) BEZPIECZEŃSTWO ELEKTRYCZNE
- Wtyczka urządzenia musi pasować do gniazda. Nie**

- wolno modyfikować wtyczki w jakikolwiek sposób. Nie należy używać wtyczek adapterowych razem z uzziemnionymi narzędziami. Niezmienione wtyczki i pasujące gniazda zmniejszają ryzyko porażenia prądem.
- b) **Należy unikać kontaktu z uzziemnionymi powierzchniami jak rury, grzejniki, piece i lodówki.** Istnieje zwiększone ryzyko porażenia prądem, gdy Państwa ciało jest uzziemnione.
- c) **Urządzenie należy przechowywać zabezpieczone przed deszczem i wilgocią.** Wniknięcie wody do elektronarzędzia podwyższa ryzyko porażenia prądem.
- d) **Nigdy nie należy używać kabla do innych czynności. Nigdy nie używać kabla do noszenia urządzenia za kabel, zawieszenia lub do wyciągania wtyczki z gniazda. Kabel należy trzymać z daleka od wysokich temperatur, oleju, ostrych krawędzi lub ruchomych części urządzenia.** Uszkodzone lub poplątane kable zwiększają ryzyko porażenia prądem.
- e) **W przypadku, kiedy elektronarzędziem pracuje się na świeżym powietrzu należy używać kabla przedłużającego, który dopuszczony jest do używania na zewnątrz.** Użycie dopuszczonego do używania na zewnątrz kabla przedłużającego zmniejsza ryzyko porażenia prądem.
- f) **Jeżeli nie da się uniknąć zastosowania elektronarzędzia w wilgotnym otoczeniu, należy użyć wyłącznika ochronnego różnicowo-prądowego.** Zastosowanie wyłącznika ochronnego różnicowo-prądowego zmniejsza ryzyko porażenia prądem.
- 3) BEZPIECZEŃSTWO OSÓB**
- a) **Należy być uważnym, uważać na to co się robi i pracę elektronarzędziem rozpoczynać z rozsądkiem. Nie należy używać urządzenia gdy jest się zmęczonym lub pod wpływem narkotyków, alkoholu lub lekarstw.** Moment nieuwagi przy użyciu urządzenia może doprowadzić do poważnych urażeń ciała.
- b) **Należy nosić osobiste wyposażenie ochronne i zawsze okulary ochronne.** Noszenie osobistego wyposażenia ochronnego jak maska przeciwpyłowa, nie ślizgające się buty robocze, hełm ochronny lub ochrona słuchu, w zależności od rodzaju i zastosowania elektronarzędzia zmniejsza ryzyko obrażeń ciała.
- c) **Należy unikać niezamierzonego uruchomienia narzędzia. Przed włożeniem wtyczki do gniazdka i/lub podłączeniem do akumulatora, a także przed podniesieniem lub przeniesieniem elektronarzędzia, należy upewnić się, że elektronarzędzie jest wyłączone.** Trzymanie palca na wyłączniku podczas przenoszenia elektronarzędzia lub podłączenie do prądu włączonego narzędzia, może stać się przyczyną wypadków.
- d) **Zanim urządzenie zostanie włączone należy usunąć narzędzia nastawcze lub klucze.** Narzędzie lub klucz, które znajdują się w ruchomych częściach urządzenia mogą doprowadzić do obrażeń ciała.
- e) **Nie należy przeceniać swoich możliwości. Należy dbać o bezpieczną pozycję pracy i zawsze utrzymywać równowagę.** Przez to możliwa jest lepsza kontrola urządzenia w nieprzewidzianych sytuacjach.
- f) **Należy nosić odpowiednie ubranie. Nie należy**
- nosić luźnego ubrania lub biżuterii. Włosa, ubranie i rękawice należy trzymać z daleka od ruchomych elementów.** Luźne ubranie, biżuteria lub długie włosy mogą zostać pociągnięte przez poruszające się części.
- g) **W przypadku, kiedy możliwe jest zamontowanie urządzeń odsysających lub podchwytyjących należy upewnić się, czy są one właściwie podłączone i prawidłowo użyte.** Użycie urządzenia odsysającego pył może zmniejszyć zagrożenie pyłami.
- 4) UWAŻNE OBCOWANIE ORAZ UŻYCIE ELEKTRONARZĘDZIA**
- a) **Nie należy przeciążać urządzenia. Do pracy używać należy elektronarzędzia, które jest do tego przewidziane.** Odpowiednim narzędziem pracuje się lepiej i bezpieczniej w podanym zakresie sprawności.
- b) **Nie należy używać elektronarzędzia, którego włącznik/wyłącznik jest uszkodzony.** Elektronarzędzie, którego nie można włączyć lub wyłączyć jest niebezpieczne i musi zostać naprawione.
- c) **Przed regulacją urządzenia, wymianą osprzętu lub po zaprzestaniu pracy narzędziem, należy wyciągnąć wtyczkę z gniazda i/lub usunąć akumulator.** Ten środek ostrożności zapobiega niezamierzonemu włączeniu się urządzenia.
- d) **Nie używane elektronarzędzia należy przechowywać poza zasięgiem dzieci. Nie należy udostępniać narzędzia osobom, które jego nie umieją lub nie przeczytały tych przepisów.** Używane przez niedoświadczonych osoby elektronarzędzia są niebezpieczne.
- e) **Urządzenie należy starannie konserwować. Należy kontrolować, czy ruchome części urządzenia funkcjonują bez zarzutu i nie są zablokowane, czy części nie są pęknięte lub uszkodzone, co mogłoby mieć wpływ na prawidłowe funkcjonowanie urządzenia. Uszkodzone narzędzie należy przed użyciem urządzenia oddać do naprawy.** Wiele wypadków spowodowanych jest przez niewłaściwą konserwację elektronarzędzi.
- f) **Osprzęt tnący należy utrzymywać ostry i czysty.** Starannie pielęgnowany osprzęt tnący z ostrymi krawędziami tnącymi blokuje się rzadziej i łatwiej się używa.
- g) **Elektronarzędzia, osprzęt, narzędzia itd. należy używać odpowiednio do tych przepisów. Uwzględnić należy przy tym warunki pracy i czynność do wykonania.** Użycie elektronarzędzi do innych niż przewidziane prace może doprowadzić do niebezpiecznych sytuacji.
- 5) SERWIS**
- a) **Naprawę urządzenia należy zlecić jedynie kwalifikowanemu fachowcowi i przy użyciu oryginalnych części zamiennych.** To gwarantuje, że bezpieczeństwo użytkowania zostanie zachowane.

#### PRZEPISY BEZPIECZEŃSTWA SZLIFIEREK

- Uwaga na gwoździe, śruby i inne twarde przedmioty; przed przystąpieniem do obróbki powinny być usunięte z obrabianego przedmiotu; usunąć je przed rozpoczęciem pracy
- Kabel zasilający powinien stale znajdować się w bezpiecznej odległości od wirującej części

- elektronarzędzia; kabel zasilający zawsze prowadzić z tyłu elektronarzędzia
- **Należy zabezpieczyć miejsce przeznaczone do zszycia** (miejsce przeznaczone do zszycia umieszczone w zaciskach lub imadle jest utrzymywane w miejscu bezpieczniej niż w ręku)
  - Przed pozostawieniem elektronarzędzia należy odłączyć zasilanie elektryczne i odczekać do całkowitego zatrzymania się wrzeciona
  - W przypadku korzystania z kabla przedłużającego należy zwrócić uwagę, aby był maksymalnie nawinięty na bęben oraz był przystosowany do przewodzenia prądu o natężeniu przynajmniej 16 A
  - W przypadku wadliwego działania mechanicznych lub elektrycznych elementów urządzenia, należy bezzwocznie odłączyć narzędzie i wyjąć wtyczkę
  - SKIL może zagwarantować bezawaryjne działanie narzędzia tylko przy korzystaniu z oryginalnego wyposażenia dodatkowego
  - Narzędzie nie powinny używać dzieci poniżej 16 roku życia
  - Poziom hałasu podczas pracy może przekraczać 85 dB(A); używać nauszniaki do ochrony słuchu
  - W przypadku uszkodzenia lub przecięcia przewodu podczas pracy, nie wolno go dotykać, tylko należy natychmiast wyciągnąć z gniazdka wtyczkę
  - Pod żadnym pozorem nie wolno korzystać z narzędzia z uszkodzonym przewodem; zleć jego wymianę wykwalifikowanej osobie
  - Każdorazowo należy sprawdzać, czy napięcie zasilania jest zgodne z napięciem podanym na tabliczce znamionowej urządzenia (narzędzia na napięcie znamionowe 230V lub 240V zasilają także napięciem 220V)
  - Elektronarzędzie nie jest przystosowane do szlifowania na mokro
  - **Nie należy obrabiać materiału zawierającego azbest** (azbest jest rakotwórczy)
  - Pył pochodzący z takich materiałów, jak farby zawierające ołów, niektóre gatunki drzewa, minerały i metal może być szkodliwy (kontakt z nim lub wdychanie takiego pyłu może powodować reakcje alergiczne i/lub niewydolność oddechową u operatora lub osób towarzyszących); **należy zakładać maskę przeciwpyłową i pracować z urządzeniem odsysającym, jeżeli można je podłączyć**
  - Niektóre rodzaje pyłu są zaklasyfikowane jako rakotwórcze (takie, jak pył dębu i buka) szczególnie w połączeniu z dodatkami do kondycjonowania drewna; **należy zakładać maskę przeciwpyłową i pracować z urządzeniem odsysającym pył, jeżeli można je podłączyć**
  - Należy stosować się do lokalnych wymogów dotyczących pracy w otoczeniu pyłu powstającego podczas obróbki materiału
  - Przy szlifowaniu metalu występuje iskrzenie; nie wolno wtedy korzystać z odpalnika/odkurzacza a z obszaru pracy należy usunąć wszelkie materiały palne i zabronić tam wstępu osobom trzecim
  - Nie wolno dotykać poruszającego się papieru ściernego
  - Nie należy korzystać ze zużytych podartych albo mocno zapachanych papierów ściernych
  - Do pracy należy nosić rękawice ochronne, okulary ochronne, dopasowane ubranie, oraz nakrycie głowy (w przypadku długich włosów)

- **Przed przystąpieniem do wykonywania jakichkolwiek czynności przy narzędziu, w czasie przerw w pracy jak również po jej zakończeniu wyjąć wtyczkę z gniazda sieciowego**

## UŻYTKOWANIE

- Talerz szlifierski
  - elektronarzędzie w żadnym wypadku nie powinno być uruchamiane bez zamontowanego talerza szlifierskiego A lub B, lub płyty podstawy C
  - stosować odpowiedni talerz szlifierski w zależności od rodzaju zastosowania (patrz Wskazówki użytkowania)
  - ! **uszkodzony talerz szlifierski natychmiast wymienić**
- Wymiana talerzy szlifierskich ④
  - zdjąć arkusz ścierny VELCRO ("narzępe")
  - odkręć śrubę talerza D kluczem sześciokątnym E
  - zamontuj talerz szlifierski A lub B zgodnie z rysunkiem
  - w razie konieczności powierzchnię talerza szlifierskiego wcześniej oczyścić
  - dokręć śrubę talerza D kluczem sześciokątnym E
  - ! **przytrzymaj mocno talerz szlifierski podczas luzowania/dokręcania śruby talerza D**
  - ! **przed przystąpieniem do wymiany talerza szlifierskiego wyjąć wtyk z gniazda sieciowego**
  - ! **śruba talerza D nagrzewa się podczas pracy narzędzia; nie należy jej dotykać przed ostygnięciem**
- Mocowanie papieru ściernego ⑤
  - ! **wyjąć wtyk z gniazda sieciowego**
  - założyć papier ścierny VELCRO ("narzępe"), jak pokazano
  - ! **w przypadku wykorzystywania odsysania mocowane papiery ściernie powinny posiadać otwory**
  - ! **rozміщення otworów w papierze powinno być zgodne z położeniem odpowiednich otworów w płycie szlifierskiej elektronarzędzia**
  - ! **zużyte papiery ściernie natychmiast wymienić**
  - ! **podczas korzystania z elektronarzędzia całą jego powierzchnia szlifierską musi być pokryta papierem ściernym**
- Przełącznik drugiej prędkości ⑥
  - uruchomić elektronarzędzie przesuwając włącznik/wyłącznik F ② do przodu/do tyłu (3 prędkości)
  - 0 = wyłącznik
  - 1 = niska prędkość
  - 2 = wysoka prędkość
  - ustaw w pozycji 1 dla dokładnego szlifowania (podczas pracy z końcówką trójkątną G lub do pracy ze specjalnymi nasadkami szlifującymi H, J lub K)
  - ustaw w pozycji 2 dla szybkiego szlifowania
  - ! **przed przystąpieniem taśmy ścierniej do powierzchni obrabianego przedmiotu należy uprzednio uruchomić elektronarzędzie**
  - ! **przed wyłączeniem narzędzia należy unieść je ponad obrabiany przedmiot**
- Mocowanie nasadek specjalnych (nie należy do standardowego wyposażenia) ⑦
  - zamocuj płytę podstawy C (analogicznie do mocowania talerzy szlifierskich)
  - zamocuj nasadkę H, J lub K na płycie podstawy C i dokręć ją, obracając pokrętko L zgodnie z ruchem

- wskazówek zegara
  - założyć odpowiedni arkusz VELCRO na nasadkę szlifującą
  - usunąć nasadki lub zmienić ich pozycję poprzez obracanie pokrętki L w kierunku przeciwnym do ruchu wskazówek zegara
  - 5 pozycje szlifowania
  - Odsysanie pyłu ⑧
    - w celu zapewnienia optymalnego odpylania należy regularnie opróżniać odpylnika M
- W celu stosowania odkurzacza zewnętrznego
- wyjąć odpylnik M przesuwając przycisk N w lewo, należy przytrzymać go w tej pozycji do momentu umieszczenia odpylnika z powrotem na miejscu
  - waga odkurzacza przylączyć do króćca P
- ! nie używać odpylnika/odkurzacza przy szlifowaniu metalu**
- Utrzymywanie i prowadzenie narzędzia ⑨
    - elektronarzędzie prowadzić równoległe do powierzchni obrabianego przedmiotu
- ! nie wywierać zbyt dużego nacisku na elektronarzędzie; pozwólmy maszynie pracować za nas**
- nie należy przechylać elektronarzędzia dzięki czerni unikniemy wyszlifowywania niepożądanych zagłębień
- ! podczas pracy zawsze trzymać narzędzie za uchwyt(y) ograniczone szarym kolorem**
- szczeliny wentylacyjne Q ② powinny być odkryte

## WSKAZÓWKI UŻYTKOWANIA

- Używaj narzędzia z ustawioną przystawką delta do przodu, przy pracach w wąskich i trudnodostępnych miejscach ⑩
- Używaj narzędzia płaską stroną przystawki do przodu, przy pracy na długich i płaskich powierzchniach ⑪
- Do szlifowania materiału krzywoliniowego oraz do szlifowania z usuwaniem dużej ilości materiału z powierzchni użyj elektronarzędzia z talerzem szlifierskim A ⑫
- Do szlifowania miejsc trudnodostępnych należy korzystać z nasadek specjalnych ⑬
- Nasadka giętka jest przeznaczona do
  - zaokrąglania krawędzi ⑬a
  - wszelkich zaokrąglonych krawędzi o maksymalnym promieniu 10 cm ⑬b
- Jeżeli końcówka trójkątna G podkładki piankowej jest zużyta lub zniszczona, można przedłużyć okres jej użytkowania poprzez zdarcie jej, obrócenie o 120° i ponowne umocowanie (dotyczy to również trójkątnego papieru ściernego) ⑭
- Nie należy nigdy korzystać z tego samego papieru do szlifowania drewna i metalu
- Zalecane granulacje papierów
 

gruba	- do usuwania farb; do szlifowania skrajnie nieobrobionych powierzchni surowych
średnia	- do oszlifowywania powierzchni surowych
drobna	- do szlifowania powierzchni drewnianych; do oszlifowywania drewna nieobrobianego; do wygładzania powierzchni pokrytych starą powłoką malarską

- W przypadku obróbki powierzchni surowej należy stosować różne granulacje papierów:
  - należy rozpoczynać od granulacji grubej lub średniej
  - zakończyć obróbkę stosując papiery o granulacji drobnej
- Więcej wskazówek można znaleźć pod adresem [www.skil.com](http://www.skil.com)

## KONSERWACJA / SERWIS

- Narzędzie nie jest przeznaczone do zastosowań profesjonalnych
- Zawsze dbać o czystość narzędzia i przewodu zasilającego (a szczególnie otworów wentylacyjnych Q ②)
  - usunąć nagromadzony pył posługując się szczotką
- **! przed przystąpieniem do czyszczenia należy wyjąć wtyk z gniazda sieciowego**
- Jeśli narzędzie, mimo dokładnej i wszechstronnej kontroli produkcyjnej ulegnie kiedykolwiek awarii, naprawę powinien przeprowadzić autoryzowany serwis elektronarzędzi firmy SKIL
  - odesłać **nierozebrany** narzędzie, wraz z dowodem zakupu, do dealera lub do najbliższego punktu usługowego SKIL (adresy oraz diagram serwisowy narzędzenia znajdują się na stronach [www.skil.com](http://www.skil.com))

## ŚRODOWISKO

- **Nie wyrzucaj elektronarzędzi, akcesoriów i opakowania wraz z odpadami z gospodarstwa domowego** (dotyczy tylko państw UE)
  - zgodnie z Europejską Dyrektywą 2002/96/WE w sprawie zużytego sprzętu elektrotechnicznego i elektronicznego oraz dostosowaniem jej do prawa krajowego, zużyte elektronarzędzia należy posegregować i zutylizować w sposób przyjazny dla środowiska
  - w przypadku potrzeby pozbycia się narzędzia, akcesoriów i opakowania - symbol ⑮ przypomni Ci o tym

## DEKLARACJA ZGODNOŚCI CE

- Niniejszym oświadczamy ponosząc osobistą odpowiedzialność, że produkt wykonany jest zgodnie z następującymi normami i dokumentami normalizującymi: EN 60745, EN 61000, EN 55014, z godnie z wytycznymi 2004/108/EU, 2006/42/EU, 2011/65/UE
- **Dokumentacja techniczna:** SKIL Europe BV (PT-SEU/ENG1), 4825 BD Breda, NL

Marijn van der Hoofden  
Operations & Engineering

Olaf Dijkgraaf  
Approvals Manager

SKIL Europe BV, 4825 BD Breda, NL  
19.08.2013

## HAŁASU/WIBRACJE

- Pomiarów dokonano zgodnie z normą EN 60745 ciśnienie akustyczne narzędzia wynosi 75 dB(A) zaś poziom mocy akustycznej 86 dB(A) (poziom odchylenie:

3 dB), zaś wibracje 10,7 m/s<sup>2</sup> (метода dłoń-ręka; błąd pomiaru K = 1,5 m/s<sup>2</sup>)

- Poziom emisji wibracji został zmierzony zgodnie z testem standaryzowanym podanym w EN 60745; może służyć do porównania jednego narzędzia z innym i jako ocena wstępna narażenia na wibracje w trakcie używania narzędzia do wymienionych zadań
    - używanie narzędzia do innych zadań, lub z innymi albo źle utrzymanymi akcesoriami, może znacząco **zwiększyć** poziom narażenia
    - przypadki, kiedy narzędzie jest wyłączone lub jest czynne, ale aktualnie nie wykonuje zadania, mogą znacząco **zmniejszyć** poziom narażenia
- ! należy chronić się przed skutkami wibracji przez konserwację narzędzia i jego akcesoriów, zakładanie rękawic i właściwą organizację pracy**

RU

## Многофункциональная шлифовальная машина 7220

### ВВЕДЕНИЕ

- Этот инструмент предназначен для сухой шлифовки и окончательной обработки древесины, окрашенных поверхностей, пластмасс и наполнителей
- Данный инструмент не подходит для промышленного использования
- Прочитайте и сохраните с данной инструкцией ③

### ТЕХНИЧЕСКИЕ ДАННЫЕ ①

#### ДЕТАЛИ ИНСТРУМЕНТА ②

- A Опорная колодка для универсального шлифования
- B Опорная колодка для произвольного кругового шлифования
- C Основание для шлифовальных приспособлений\*
- D Винт для опорного колодки
- E Ключ-шестигранник
- F Двухпозиционный переключатель скорости
- G Дельтаобразный наконечник
- H Вентиляционное приспособление\*
- J Гибкое шлифовальное приспособление\*
- K Пальцевое приспособление\*
- L Ручка для крепления шлифовальных приспособлений\*
- M Пылеприёмник
- N Ручка для снятия пылеприёмника
- P Удлинитель для пылесоса
- Q Вентиляционные отверстия

\* СТАНДАРТНО В КОМПЛЕКТ НЕ ВКЛЮЧАЕТСЯ

## БЕЗОПАСНОСТЬ

### ОСНОВНЫЕ ИНСТРУКЦИИ ПО ТЕХНИКЕ БЕЗОПАСНОСТИ

**⚠ ВНИМАНИЕ!** Прочтите все указания и инструкции по технике безопасности. Упущения, допущенные при соблюдении указаний и инструкций

по технике безопасности, могут стать причиной электрического поражения, пожара и тяжелых травм. **Сохраняйте эти инструкции и указания для будущего использования.** Использованное в настоящих инструкциях и указаниях понятие "электроинструмент" распространяется на электроинструмент с питанием от сети (с кабелем питания от электросети) и на аккумуляторный электроинструмент (без кабеля питания от электросети).

#### 1) БЕЗОПАСНОСТЬ РАБОЧЕГО МЕСТА

- a) **Соблюдайте чистоту и поддерживайте надлежащую освещенность на рабочем месте.** Беспорядок на рабочем месте или его плохое освещение могут привести к несчастным случаям.
- b) **Не используйте с электроинструментом во взрывоопасной среде, т.е. в непосредственной близости от легковоспламеняющихся жидкостей, газов или пыли.** В процессе работы электроинструмент искрит и искры могут воспламенить газы или пыль.
- c) **При работе с электроинструментом не допускайте детей или посторонних на Ваше рабочее место.** Отвлечение Вашего внимания может привести к потере контроля над работой инструмента.

#### 2) ЭЛЕКТРИЧЕСКАЯ БЕЗОПАСНОСТЬ

- a) **Штепсельная вилка кабеля питания электроинструмента должна соответствовать розетке электросети. Не вносите никаких изменений в конструкцию вилки. Не используйте адапторы для электроинструмента с защитным заземлением.** Заводские штепсельные вилки и соответствующие им сетевые розетки существенно снижают вероятность электрошока.
- b) **Избегайте механических контактов с такими заземленными поверхностями, как трубопроводы, системы отопления, плиты и холодильники.** При соприкосновении человека с заземленными предметами во время работы инструментом вероятность электрошока существенно возрастает.
- c) **Оберегайте электроинструмент от воздействия дождя и влаги.** Попадание воды в электроинструмент повышает вероятность электрического удара.
- d) **Используйте кабель строго по назначению. Не допускайте тянуть и передвигать электроинструмент за кабель или использовать кабель для вытягивания вилки из розетки. Оберегайте кабель инструмента от воздействия высоких температур, масла, острых кромок или движущихся частей электроинструмента.** Поврежденный или спутанный кабель повышает возможность электрического удара.
- e) **При работе на улице используйте удлинитель, предназначенный для работы вне помещения.** Использование такого удлинителя снижает вероятность электрического удара.
- f) **Если невозможно избежать применения электроинструмента в сыром помещении, то**



устанавливайте устройство защиты от утечки в землю. Использование устройства защиты от утечки в землю снижает риск электрического поражения.

### 3) ЛИЧНАЯ БЕЗОПАСНОСТЬ

- a) Будьте внимательны, следите за тем, что Вы делаете и выполняйте работу обдуманно. Не пользуйтесь электроинструментом, если Вы устали или находитесь под воздействием транквилизаторов, алкоголя или медицинских препаратов. Секундная потеря концентрации в работе с электроинструментом может привести к серьезным травмам.
  - b) Используйте средства индивидуальной защиты. Защитные очки обязательны. Средства индивидуальной защиты, такие как противопылевой респиратор, нескользящая защитная обувь, шлем-каска, средства защиты органов слуха применяются в соответствующих условиях работы обстоятельствах и минимизируют возможность получения травм.
  - c) Предотвращайте непреднамеренное включение электроинструмента. Перед подключением электроинструмента к электропитанию и/или к аккумулятору убедитесь в выключенном состоянии электроинструмента. Если Вы при транспортировке электроинструмента держите палец на выключателе или включенный электроинструмент подключаете к сети питания, то это может привести к несчастному случаю.
  - d) Во избежание травм перед включением инструмента удалите регулировочный или гаечный ключ из вращающейся части инструмента.
  - e) Не переоценивайте свои возможности. Твердо стойте на ногах и удерживайте равновесие. В таком положении вы сможете лучше контролировать инструмент в неожиданных ситуациях.
  - f) Используйте подходящую рабочую одежду. Не надевайте свободную одежду и украшения. Волосы, одежда и перчатки должны находиться подальше от движущихся частей электроинструмента. Свободная одежда, украшения или длинные волосы легко могут попасть в движущиеся части электроинструмента.
  - g) При наличии пылеотсасывающих и пылесборных приспособлений убедитесь в том, что они подсоединены и используются надлежащим образом. Применение пылесоса может снизить опасность, создаваемые пылью.
- ### 4) ЭКСПЛУАТАЦИЯ И УХОД ЗА ЭЛЕКТРОИНСТРУМЕНТОМ
- a) Не перегружайте инструмент. Используйте тот инструмент, который предназначен для данной работы. С подходящим инструментом Вы выполните работу лучше и надежней, используя весь диапазон его возможностей.
  - b) Не используйте инструмент с неисправным выключателем. Инструмент с неисправным выключателем опасен и подлежит ремонту.
  - c) До начала наладки электроинструмента, замены принадлежностей или прекращения

работы отключайте штепсельную вилку от розетки сети и/или выньте аккумулятор. Данная мера предосторожности предотвращает случайное включение инструмента.

- d) Храните неиспользуемый электроинструмент в недоступном для детей месте и не позволяйте использовать его лицам, не умеющим с ним обращаться или не ознакомленным с инструкцией по эксплуатации. Электроинструменты представляют собой опасность в руках неопытных пользователей.
  - e) Электроинструмент требует надлежащего ухода. Проверяйте безупречность функции подвижных частей, лёгкость их хода, целостность всех частей и отсутствие повреждений, которые могут негативно сказаться на работе инструмента. При обнаружении повреждений сдайте инструмент в ремонт. Большое число несчастных случаев связано с неудовлетворительным уходом за электроинструментом.
  - f) Режущие части инструмента необходимо поддерживать в заточенном и чистом состоянии. При надлежащем уходе за режущими принадлежностями с острыми кромками они реже заклиниваются и инструмент лучше поддается контролю.
  - g) Используйте электроинструмент, принадлежности, биты и т.д. в соответствии с данными инструкциями, исходя из особенностей условий и характера выполняемой работы. Использование электроинструмента не по назначению может привести к опасным последствиям.
- ### 5) СЕРВИСНОЕ ОБСЛУЖИВАНИЕ
- a) Передавайте инструмент на сервисное обслуживание только квалифицированному персоналу, использующему только подлинные запасные части. Это обеспечит сохранение безопасности электроинструмента.

### УКАЗАНИЯ ПО БЕЗОПАСНОСТИ ДЛЯ ШЛИФОВАЛЬНЫХ МАШИН

- Избегайте повреждений, которые могут быть вызваны винтами, гвоздями и прочими элементами, находящимися в обрабатываемом предмете; перед началом работы их нужно удалить
- Следите за тем, чтобы сетевой шнур не находился рядом с движущимися деталями инструмента; нужно всегда направлять электрический шнур к задней части инструмента, исключая его захват инструментом
- Закрепите обрабатываемую деталь (обрабатываемая деталь, зафиксированная посредством зажимных устройств или тисков, закрепляется лучше, нежели при помощи рук)
- Перед тем как положить инструмент, выключите двигатель и убедитесь в том, что все движущиеся детали полностью остановились
- Используйте полностью размотанные и безопасные удлинители, рассчитанные на ток не менее 16 А
- В случае любой электрической или механической

- неисправности немедленно выключите инструмент и выньте вилку из розетки
- SKIL обеспечивает надёжную работу инструмента только при использовании соответствующих приспособлений
  - Инструмент нельзя использовать лицам в возрасте до 16 лет
  - Поскольку уровень шума при работе данного инструмента может превышать 80 dB(A); всегда используйте защиту для ушей
  - При повреждении или разрезании сетевого шнура во время работы не прикасайтесь к нему, и немедленно выньте вилку из розетки
  - Никогда не используйте инструмент, если сетевой шнур повреждён; необходимо, чтобы квалифицированный специалист заменил сетевой шнур
  - Обязательно убедитесь, что напряжение питания соответствует напряжению, указанному на фирменном штампе инструмента (инструменты, рассчитанные на напряжение 230 В или 240 В, можно подключать к питанию 220 В)
  - Данный инструмент не подходит для шлифования влажных поверхностей
  - **Не обрабатывайте материалы с содержанием асбеста** (асбест считается канцерогеном)
  - Пыль от таких материалов, как свинцовосодержащая краска, некоторые породы дерева, минералы и металл, может быть вредна (контакт с такой пылью или ее вдыхание может стать причиной возникновения у оператора или находящихся рядом лиц аллергических реакций и/или респираторных заболеваний); **надевайте респиратор и работайте с пылеудаляющим устройством при включении инструмента**
  - Некоторые виды пыли классифицируются как канцерогенные (например, дубовая или буковая пыль), особенно в сочетании с добавками для кондиционирования древесины; **надевайте респиратор и работайте с пылеудаляющим устройством при включении инструмента**
  - Следуйте принятым в вашей стране требованиям/нормативам относительно пыли для тех материалов, с которыми вы собираетесь работать
  - При обработке металлической поверхности наблюдается искрение; не следует использовать пылеприёмник/пылесос, а также нельзя допускать в рабочую зону посторонних людей и воспламеняемые материалы
  - Не следует прикасаться к движущейся шлифовальной листа
  - Не следует использовать изношенную, порванную или сильно загрязнённую шлифовальные листы
  - Необходимо носить защитные перчатки, защитные очки, плотно прилегающую одежду и защиту для волос (для длинных волос)
  - **Перед регулировкой или сменой принадлежностей обязательно выньте вилку из сетевой розетки**

## ИСПОЛЬЗОВАНИЕ

- Опорный круг
  - пользование инструментом без опорной колодки А или В, или основания С не допускается
  - используйте опорный круг, соответствующий

выполняемой операции (см. "Советы по использованию")

### **! немедленно замените поврежденные опорные круги**

- Замена опорных колодок ④
  - снимите наждачный лист VELCRO
  - при помощи шестигранного ключа D выкрутите винт колодки E
  - установите опорную колодку А или В как показано
  - в случае необходимости предварительно очистите опорный круг
  - при помощи шестигранного ключа D закрутите винт колодки E

### **! откручивая/закручивая винт, надёжно удерживайте опорную колодку D**

### **! перед снятием и установкой опорного круга выньте вилку из розетки**

### **! во время работы D винт колодки нагревается; не касайтесь его, пока не остынет**

- Установка шлифовочного листа ⑤
  - **разъединить штепсельный разъём**
  - установите наждачный лист VELCRO как показано
  - **система отсасывания пыли требует использования перфорированных шлифовочных листов**

### **! перфорация в шлифовочных листах должна соответствовать перфорации в основании шлифмашины**

### **! меняйте стертые шлифовочные листы вовремя**

### **! всегда используйте инструмент при условии, что шлифовочный лист не накрывает всю шлифовочную поверхность инструмента**

- Двухпозиционный переключатель скорости ⑥
  - включите/отключите инструмент, нажав переключатель F ② вперед/назад (3 положений)
  - 0 = выключение
  - 1 = низкая скорость
  - 2 = высокая скорость

- для шлифования с высокой точностью переведите его в положение 1 (работая с клиновидной насадкой G или специальными шлифовальными приспособлениями, H, J или K)
- для быстрого шлифования переведите в позицию 2

### **! инструмент следует включить до того момента, когда шлифовальная поверхность достигнет обрабатываемого изделия**

### **! перед тем как выключить инструмент, его следует поднять над обрабатываемым изделием**

- Установка специальных шлифовальных приспособлений (**не входит в стандартный комплект поставки**) ⑦
  - установите основание С (точно так же, как опорную колодку)
  - установите приспособление H, J или K на основание С и закрепите его, вращая ручку L по часовой стрелке
  - установите соответствующий наждачный лист VELCRO на шлифовальное приспособление
  - чтобы снять приспособление или изменить его положение, поворачивайте ручку L против часовой стрелки

- 5 положения шлифования
- Отсасывание пыли ⑧
  - опустошайте пылеприёмник M регулярно для обеспечения оптимального отсоса пыли

Для использования пылесоса

- снимите пылеприёмник M сдвинув ручку N влево и удерживая ее в этом положении, одновременно оттягивая пылеприёмник назад
- подсоедините пылесос к удлинителю P
- ! не используйте пылеприёмник/пылесос при шлифовке металла**
- Удерживание и направление инструмента ⑨
  - вести инструмент параллельно рабочей поверхности
  - ! не прикладывайте излишнего давления на инструмент; позволить шлифовальной поверхности работать за вас**
  - не наклоняйте инструмент во избежание появления нежелательных глубоких царапин
  - ! во время работы, всегда держите инструмент за места правильного хвата, которые обозначены серым цветом**
  - содержите вентиляционные отверстия Q ② не закрытыми

## СОВЕТЫ ПО ИСПОЛЬЗОВАНИЮ

- Для работы в узких и труднодоступных местах используйте дельтавидную насадку ⑩
- Для работы на гладких поверхностях большой площади используйте инструмент без насадки ⑪
- Для шлифовки фасонных заготовок, а также при интенсивной зачистке применяйте инструмент в сочетании с опорной колодкой A ②
- Используйте машину со специальными шлифовальными приспособлениями для труднодоступных мест ⑫
- Гибкое шлифовальное приспособление предназначено для:
  - закругления кромок ⑬a
  - всех закруглённых поверхностей с максимальным диаметром 10 см ⑬b
- При износе или повреждении подкладки в верхней части клиновидной насадки G можно продолжать использовать её, установив её повернув на 120 градусов (это также относится к клиновидным шлифовальным листам) ⑭
- Никогда не следует использовать одни и те же шлифовальные листы для обработки металлических и деревянной поверхностей
- Рекомендуемая зернистость шлифовального листа
 

грубый	- для удаления краски; для шлифования совершенно необработанной древесины
средний	- для шлифования необработанной или обработанной древесины
тонкий	- для сглаживания древесины; для отделки необработанной древесины; для выравнивания поверхностей со старой краской
- При обработке неровных поверхностей следует пользоваться шлифовальным листом разной зернистости:
  - начинать шлифование грубым или средним листом

- отделять тонким листом
- См дополнительную информацию на сайте [www.skil.com](http://www.skil.com)

## ТЕХОБСЛУЖИВАНИЕ / СЕРВИС

- Данный инструмент не подходит для промышленного использования
- Всегда содержите инструмент и его шнур в чистоте (особенно вентиляционные отверстия Q ②)
  - счистить прилипший материал обработки с инструмента с помощью щётки
  - ! перед чисткой инструмента выньте вилку из розетки**
- Если инструмент, несмотря на тщательные методы изготовления и испытания, выйдет из строя, то ремонт следует производить силами авторизованной сервисной мастерской для электроинструментов фирмы SKIL
  - отправьте **неразобранный** инструмент со свидетельством покупки Вашему дилеру или в ближайшую станцию обслуживания фирмы SKIL (адреса и схема обслуживания инструмента приведены в вебсайте [www.skil.com](http://www.skil.com))

## ОХРАНА ОКРУЖАЮЩЕЙ СРЕДЫ

- **Не выкидывайте электроинструмент, принадлежности и упаковку вместе с бытовым мусором** (только для стран ЕС)
  - во исполнение европейской директивы 2002/96/EC об утилизации отслужившего свой срок электрического и электронного оборудования и в соответствии с действующим законодательством, утилизация электроинструментов производится отдельно от других отходов на предприятиях, соответствующих условиям экологической безопасности
  - значок ⑮ напомним Вам об этом, когда появится необходимость сдать электроинструмент на утилизацию

## ДЕКЛАРАЦИЯ О СООТВЕТСТВИИ СТАНДАРТАМ СЕ

- Мы с полной ответственностью заявляем, что это изделие соответствует следующим стандартам или стандартизованным документам: EN 60745, EN 61000, EN 55014, в соответствии с инструкциями 2004/108/EC, 2006/42/EC, 2011/65/EC
- **Техническая документация у:** SKIL Europe BV (PT-SEU/ENG1), 4825 BD Breda, NL

Marijn van der Hoofden      Olaf Dijkgraaf  
Operations & Engineering      Approvals Manager




SKIL Europe BV, 4825 BD Breda, NL  
19.08.2013

- Информация о сертификате соответствия расположена на последней странице настоящей Инструкции

- Сертифікати відповідності зберігаються по адресу: ООО "Роберт Бош" ул. Акад. Королєва, 13, стр. 5 Россия, 129515, Москва  
**С январа 2014 г.**  
Вашутинское шоссе, влад. 36 Россия, 141446 г.о. Химки
- Дата виробництва вказана на табличке інструмента в форматі ММ/ГГГГ (місяць/год)

## ШУМНОСТІ/ВІБРАЦІЇ

- При виміренні в відповідності со стандартом EN 60745 урєвень звукового тавлення для цього інструмента становить 75 дБ (А) и урєвень звукової потужності - 86 дБ (А) (стандартное відхилення: 3 дБ), и вібрації - 10,7 м/с<sup>2</sup> (по методу для рук; недостоверность К = 1,5 м/с<sup>2</sup>)
- Урєвень вібрації був вимірен в відповідності со стандартизованим випробуванням, зберігаючимся в EN 60745; данна характеристика може використовуватися для порівняння одного інструмента с другим, а также для попередньої оцінки впливу вібрації при використанні данного інструмента для вказаних цілей
  - при використанні інструмента в других цілях или с другими/неисправными допоміжними пристосуваннями урєвень впливу вібрації може значительно **підвищатися**
  - в періоди, когда інструмент відключен или функціонує без фактичного виконання роботи, урєвень впливу вібрації може значительно **знижуватися**

**! захищайте себе от впливу вібрації, підтримуючи інструмент и его допоміжні пристосування в исправном стані, підтримуючи руки в тепле, а также правильно організуйте свій робочий процес**

UA

## Універсальна шліфувальна машинка 7220

### ВСТУП

- Цей інструмент призначений для сухого шліфування і обробки дерева, фарбованих поверхонь, пластиків і шпаклівки
- Цей інструмент не придатний для промислового використання
- Прочитайте і збережіть цю інструкцію з експлуатації ③

## ТЕХНІЧНІ ДАНІ ①

### ЕЛЕМЕНТИ ІНСТРУМЕНТА ②

- A** Опорна накладка для універсального шліфування
- B** Опорна накладка для довільного кругового шліфування
- C** Основна панель для шліфувальних пристосувань\*
- D** Болт накладки

- E** Шестигранний ключ
- F** Двопозиційний перемикач швидкості
- G** Трикутний наконечник
- H** Заслінка\*
- J** Гнучке шліфувальне пристосування\*
- K** Пальцеве пристосування\*
- L** Ручка для кріплення шліфувальних пристосувань\*
- M** Пиловловлювач
- N** Ручка для зняття пиловловлювача
- P** Подовжувач для пилососа
- Q** Вентиляційні отвори

\* СТАНДАРТНО В КОМПЛЕКТ НЕ ВКЛЮЧАЄТЬСЯ

## БЕЗПЕКА

### ЗАГАЛЬНІ ВКАЗІВКИ З ТЕХНІКИ БЕЗПЕКИ

**⚠ УВАГА! Прочитайте всі попередження і вказівки.** Недодержання попереджень і вказівок може призводити до удару електричним струмом, пожежі та/або серйозних травм. **Добре зберігайте на майбутнє ці попередження і вказівки.** Під поняттям "електроприлад" в цих попередженнях мається на увазі електроприлад, що працює від мережі (з електрокабелем) або від акумуляторної батареї (без електрокабелю).

### 1) БЕЗПЕКА НА РОБОЧОМУ МІСЦІ

- а) Приймайте своє робоче місце в чистоті та прибирайте його.** Безлад або погане освітлення на робочому місці можуть призводити до нещасних випадків.
- б) Не працюйте з приладом у середовищі, де існує небезпека вибуху внаслідок присутності горючих рідин, газів або пилу.** Електроприлади можуть породжувати іскри, від яких може займатися пил або пари.
- в) Під час працювання з приладом не підпускайте до робочого місця дітей та інших людей.** Ви можете втратити контроль над приладом, якщо Ваша увага буде відвернута.

### 2) ЕЛЕКТРИЧНА БЕЗПЕКА

- а) Штепсель приладу повинен пасувати до розетки. Не дозволяється що-небудь міняти в штепселі. Для роботи з приладами, що мають захисне заземлення, не використовуйте адаптери.** Використання оригінального штепселя та належної розетки зменшує ризик удару електричним струмом.
- б) Уникайте контакту частей тіла із заземленими поверхнями, як напр., трубами, батареями опалення, печами та холодильниками.** Коли Ваше тіло заземлене, існує збільшена небезпека удару електричним струмом.
- в) Захищайте прилад від дощу та вологи.** Попадання води в електроінструмент збільшує ризик удару електричним струмом.
- г) Не використовуйте кабель для перенесення приладу, підвішування або витягування штепселя з розетки. Захищайте кабель від жару, олії, гострих країв та деталей приладу, що рухаються.** Пошкоджений або закручений кабель

- збільшує ризик удару електричним струмом.
- e) **Для зовнішніх робіт обов'язково використовуйте лише таний подовжувач, що допущений для зовнішніх робіт.** Використання подовжувача, що розрахований на зовнішні роботи, зменшує ризик удару електричним струмом.
- f) **Якщо не можна запобігти використанню електроприладу у вологому середовищі, використовуйте пристрій захисту від витоку в землю.** Використання пристрою захисту від витоку в землю зменшує ризик удару електричним струмом.

### 3) БЕЗПЕКА ЛЮДЕЙ

- a) **Будьте уважними, слідкуйте за тим, що Ви робите, та розсудливо поведіться під час роботи з електроприладом. Не користуйтеся приладом, якщо Ви стомлені або знаходитесь під дією наркотиків, спиртних напоїв або лік.** Мить неувважності при користуванні приладом може призводити до серйозних травм.
- b) **Вдягайте особисте захисне спорядження та обов'язково вдягайте захисні окуляри.** Вдягання особистого захисного спорядження, як напр., - в залежності від виду робіт - захисної маски, спецвзуття, що не ковзається, наски або навушників, зменшує ризик травм.
- c) **Уникайте ненавмисного вмикання. Перш ніж вмикати електрприлад в електромережу або встромяти акумуляторну батарею, брати його в руки або переносити, впевніться в тому, що електроприлад вимкнений.** Тримання пальця на вимикачі під час перенесення електроприладу або встромяння в розетку увімкненого приладу може призводити до травм.
- d) **Перед тим, як вмикати прилад, приборіть налагоджувальні інструменти та гайковий ключ.** Знаходження налагоджувального інструмента або ключа в деталі, що обертається, може призводити до травм.
- e) **Не переоцінюйте себе. Зберігайте стійке положення та завжди зберігайте рівновагу.** Це дозволить Вам краще зберігати контроль над приладом у несподіваних ситуаціях.
- f) **Вдягайте придатний одяг. Не вдягайте просторий одяг та прикраси. Не підставляйте волосся, одяг та рукавиці близько до деталей приладу, що рухаються.** Просторий одяга, прикраси та довге волосся можуть попадати в деталі, що рухаються.
- g) **Якщо існує можливість монтувати пиловідсмоктувальні або пилоуловлювальні пристрої, перенаяйтеся, щоб вони були добре під'єдані та правильно використовувалися.** Використання пиловідсмоктувального пристрою може зменшити безпеки, зумовлені пилом.
- 4) **ПРАВИЛЬНЕ ПОВЕДІННЯ ТА КОРИСТУВАННЯ ЕЛЕКТРОПРИЛАДАМИ**
- a) **Не перевантажуйте прилад. Використовуйте таний прилад, що спеціально призначений для певної роботи.** З придатним приладом Ви з меншим ризиком отримаєте кращі результати роботи, якщо будете працювати в зазначеному діапазоні потужності.
- b) **Не користуйтеся приладом з пошкодженим**

**вимикачем.** Прилад, який не можна увімкнути або вимкнути, є небезпечним і його треба відремонтувати.

- c) **Перед тим, як регулювати що-небудь на приладі, міняти приладдя або ховати прилад, витягніть штепсель із розетки та/або витягніть акумуляторну батарею.** Ці попереджувальні заходи з техніки безпеки зменшують ризик ненавмисного запуску приладу.
- d) **Зберігайте електроприлади, якими Ви саме не користуетесь, далеко від дітей.** Не дозволяйте користуватися електроприладом особам, що не знайомі з його роботою або не читали ці вказівки. У разі застосування недосвідченими особами прилади несуть в собі безпеку.
- e) **Старанно дглядайте за приладом. Перевірте, щоб рухомі деталі приладу бездоганно працювали та не заїдали, не були поламаними або настільки пошкодженими, щоб це могло вплинути на функціонування приладу.** Пошкоджені деталі треба відремонтувати в авторизованій майстерні, перш ніж ними можна знову користуватися. Велика кількість нещасних випадків спричиняється поганим доглядом за електроприладами.
- f) **Тримайте різальні інструменти добре нагостреними та в чистоті.** Старанно доглянуті різальні інструменти з гострим різальним краєм менше застряють та їх легше вести.
- g) **Використовуйте електроприлади, приладдя до них, робочі інструменти т.і. відповідно до цих вказівок. Беріть до уваги при цьому умови роботи та специфіку виконуваної роботи.** Використання електроприладів для робіт, для яких вони не передбачені, може призводити до небезпечних ситуацій.

### 5) СЕРВІС

- a) **Відавайте свій прилад на ремонт лише кваліфікованим фахівцям та лише з використанням оригінальних запчастин.** Це забезпечить безпечність приладу на довгий час.

### ПРАВИЛА ТЕХНІКИ БЕЗПЕКИ ДЛЯ ШЛІФУВАЛЬНОЇ МАШИНИ

- Не допускайте пошкоджень, які можуть нанести шрупи, цвяхи і інші елементи вашою виробу; видаліть їх перед початком роботи
- Не дозволяйте шнуру живлення стикатися з рухомими частинами інструменту; завжди викладайте шнур за задньою частиною інструменту
- **Зафіксуйте оброблювану деталь** (оброблювана деталь, зафіксована за допомогою затискних пристроїв або лещат, закріплюється краще, ніж вручну)
- Коли ви закінчили роботу з інструментом, вимкніть мотор і переконайтеся, що всі рухомі частини повністю зупинилися
- Використовуйте повністю розгорнений шнур подовжувача, який може витримувати навантаження в 16 Ампер
- У разі електричної або механічної несправності, негайно відключите інструмент і вимкніть з розетки

- SKIL гарантує надійну роботу інструмента тільки при використанні відповідного приладдя
- Цей інструмент не можна використовувати особам віком до 16 років
- Рівень шуму при роботі може перевищувати 85 дБ(а); використовуйте навушки
- Якщо шнур пошкоджений або порізаний при роботі, не доторкайтесь до нього і негайно витягніть його з розетки
- Ніколи не використовуйте інструмент з пошкодженим шнуром; його повинен замінити кваліфікований фахівець
- Перед роботою перевірте відповідність струму в мережі із струмом, позначені на інструменті (інструменти, розраховані на 230В або 240В, також можуть підключатися до мережі 220В)
- Цей інструмент не підходить для мокрої шліфовки
- **Не обробляйте матеріали, що містять асбест** (асбест вважається канцерогенним)
- Пил від таких матеріалів, як свинцовоутримуюча фарба, деякі породи дерева, мінерали й метал, може бути шкідливим (контакт із таким пилом або його вдихання може стати причиною виникнення в оператора або осіб, що перебувають поруч, алергійних реакцій і/або респіраторних захворювань); **надягайте респіратор і працюйте з пиловидальним пристроєм під час увімкнення інструмента**
- Деякі види пилу класифікуються як канцерогенні (наприклад, дубовий або буковий пил), особливо в сполученні з добавками для кондиціонування деревини; **надягайте респіратор і працюйте з пиловидальним пристроєм під час увімкнення інструмента**
- Слідуйте інструкціям по роботі з матеріалами, продуцуючими пил
- При обробці металу можуть з'являтися іскри; не використовуйте пиловловлювач/пилосос і видаліть займісті матеріали з робочої зони
- Не торкайтесь до рухомого наждачного листа
- Не використовуйте зношені, порвані або засмічені наждачні листи
- Надягайте захисні рукавички, окуляри безпеки, щільно облягаючий одяг і захисну шапочку (для довгого волосся)
- **Перед регулюванням або заміною приладдя обов'язно вийміть вилку із сіткової розетки**

## ВИКОРИСТАННЯ

- Опорні накладки
  - не користуйтеся інструментом без опорної накладки А або В, або основи С
  - підбирайте накладку у відповідності до виконуваної роботи (див. "Поради із застосування")
- **Негайно міняйте накладку у разі пошкодження**
- Заміна опорних накладок ④
  - видаліть наждачний папір VELCRO
  - за допомогою шестигранного ключа D викрутіть гвинт накладки Е
  - встановіть опорну накладку А або В як зображено
  - у разі необхідності перед цим почистіть опорну накладку
  - за допомогою шестигранного ключа D затягніть гвинт накладки Е

- **Відкручуючи або закручуючи гвинт, надійно утримуйте опорну накладку D**
- **Від'єднайте інструмент від розетки перш ніж знімати або встановлювати опорну накладку**
- **Під час роботи D гвинт накладки розігрівається; не доторкайтесь до нього доки він не охолоне**
- Встановка наждачного листа ⑤
  - **Вийняти вилку з розетки**
  - встановіть наждачний лист VELCRO як показано на малюнку
  - **Для засмонтування пилу потрібні перфоровані наждачні листи**
  - **Перфорація в наждачному листі повинна співпадати з перфорацією в робочій пластині**
  - **Своєчасно замінійте наждачні листи**
  - **Завжди повністю закривайте робочу пластину наждачним папером**
- Двопозиційний перемикач швидкості ⑥
  - влючає і вимикає інструмент натисненням перемикача F ② вперед/назад (3 положень)
  - 0 = вимикання
  - 1 = низька швидкість
  - 2 = висока швидкість
  - для шліфування з високою точністю переведіть його в положення 1 (працюючи з трикутним наконечником G або спеціальними шліфувальними пристосуваннями H, J або K)
  - для швидкісного шліфування переведіть його в положення 2
  - **Перш ніж прикласти робочу поверхню до виробу потрібно включити інструмент**
  - **Перш ніж вимкнути інструмент, його треба відвести від оброблюваного виробу**
- Встановіть особливі аксесуари для обробки (**не включається в стандартний комплект поставки**) ⑦
  - встановіть основу С (саме так, як опорну накладку)
  - встановіть пристосування Н, J або К на основу С і закріпіть, повертаючи ручку L за годинниковою стрілкою
  - встановіть відповідний наждачний папір VELCRO на аксесуар
  - щоб зняти пристосування або змінити його положення, повертайте ручку L проти годинникової стрілки
  - 5 положення для обробки
- Пиловловлювання ⑧
  - регулярно спорожняйте пиловловлювач М для оптимального засмонтування пилу
  - Щоб користуватись пилососом необхідно
  - зніміть пиловловлювач М зрушивши ручку N вліво й утримуючи її в цьому положенні, водночас відтягаючи пиловловлювач назад
  - під'єднайте пилосос до подовжувача Р
  - **Не використовуйте пиловловлювач/пилосос при шліфуванні металу**
- Утримування і робота інструментом ⑨
  - направляйте інструмент паралельно робочій поверхні
  - **Не прикладайте до інструменту дуже великий тиск**

- не нахилийте інструмент, щоб уникати небажаних ділянок

**! під час роботи, завжди тримайте інструмент за частини захвату сірого кольору**

- тримайте вентиляційні отвори Q ② незащитними

## ПОРАДИ ПО ВИКОРИСТАННЮ

- використовуйте інструмент з трикутною насадкою для роботи на гострих, вузьких та інших важкодоступних місцях ⑩
- використовуйте інструмент з плоскою насадкою для довгих штрихів на плоских поверхнях ⑪
- Для шліфування фасонних заготовок, а також при інтенсивній зачистці застосуйте інструмент у поєднанні з опорною накладкою A ②
- Використовуйте інструмент із спеціальними аксесуарами для труднодоступних місць ⑫
- Гнучке пристосування для обробки призначене - закруглення краєвих поверхонь ⑬a  
- повністю круглих поверхонь з максимальним діаметром 10 см ⑬b
- Коли платформа трикутного наконечника G зноситься або буде пошкоджена, ви можете продовжити її термін служби, знявши її, повернувши на 120° і поставивши назад (також може застосовуватися до трикутної пластини) ⑭
- Ніколи не використовуйте один і той же наждачний лист для дерева і металу
- Рекомендовані наждачні листи:  
крупний - для видалення фарби; для шліфовки необробленого дерева поганої якості  
середній - для шліфовки необробленого або простого дерева  
дрібний - для остаточної шліфовки дерева; для обробки необробленої деревини; для шліфовки поверхонь із старою фарбою
- Використовуйте різні наждачні листи для необробленої поверхні:  
- починайте шліфувати крупним або середнім листом  
- завершуйте дрібним
- Див додаткову інформацію на [www.skil.com](http://www.skil.com)

## ДОГЛЯД/ОБСЛУГОВУВАННЯ

- Цей інструмент не придатний для промислового використання
- Завжди тримайте інструмент та його шнур в чистоті (особливо вентиляційні отвори Q ②)  
- видаліть налиплий пил щіткою  
**! перед чисткою інструменту необхідно роз'єднати штепсельний роз'єм**
- Якщо незважаючи на ретельну технологію виготовлення і перевірки інструмент все-таки вийде з ладу, його ремонт дозволяється виконувати лише в авторизованій сервісній майстерні для електроприладів SKIL  
- надішліть **нерозібраний** інструмент разом з доказом купівлі до Вашого дилера або до

найближчого центру обслуговування SKIL (адреси, а також діаграма обслуговування пристрою, подаються на сайті [www.skil.com](http://www.skil.com))

## ОХОРОНА НАВКОЛИШНЬОЇ СЕРЕДИ

- **Не викидайте електроінструмент, принадленності та упаковку разом зі звичайним сміттям** (тільки для країн ЄС)  
- відповідно до європейської директиви 2002/96/ЄС щодо утилізації старих електричних та електронних приладів, в залежності з місцевим законодавством, електроінструмент, який перебував в експлуатації повинен бути утилізований окремо, безпечним для навколишнього середовища шляхом  
- малюнок ⑮ нагадає вам про це

## ДЕКЛАРАЦІЯ ПРО ВІДПОВІДНІСТЬ СТАНДАРТАМ СЕ

- Ми заявляємо, що відповідність даного продукту наступним стандартам і регулюючим документам повністю нашої відповідальністю: EN 60745, EN 61000, EN 55014, відповідно до положень директив 2004/108/EG, 2006/42/EG, 2011/65/EC
- **Технічні документи в:** SKIL Europe BV (PT-SEU/ENG1), 4825 BD Breda, NL

Marijn van der Hoofden  
Operations & Engineering

Olaf Dijkgraaf  
Approvals Manager

SKIL Europe BV, 4825 BD Breda, NL

19.08.2013

## ШУМ/ВІБРАЦІЯ

- Зміряний відповідно до EN 60745 рівень тиску звуку даного інструменту 75 дБ(A) і потужність звуку 86 дБ(A) (стандартне відхилення: 3 дБ), і вібрація 10,7 м/с<sup>2</sup> (ручна методика; похибка K = 1,5 м/с<sup>2</sup>)
- Рівень вібрації було виміряно у відповідності зі стандартизованим випробуванням, що міститься в EN 60745; дана характеристика може використовуватися для порівняння одного інструмента з іншим, а також для попередньої оцінки впливу вібрації під час застосування даного інструмента для вказаних цілей  
- при використанні інструмента в інших цілях або з іншими/несправними допоміжними пристосуваннями рівень впливу вібрації може значно **підвищуватися**  
- у періоді, коли інструмент вимкнений або функціонує без фактичного виконання роботи, рівень впливу вібрації може значно **знижуватися**  
**! захищайте себе від впливу вібрації, підтримуйте інструмент і його допоміжні пристосування в справному стані, підтримуючи руки в теплі, а також правильно організовуючи свій робочий процес**

## ΕΙΣΑΓΩΓΗ

- Αυτό το εργαλείο χρησιμοποιείται για την ξηρή λείανση και το φινιρίσμα ξύλου, βαμμένων επιφανειών, πλαστικών και στόκου
- Αυτό το εργαλείο δεν προορίζεται για επαγγελματική χρήση
- Διαβάστε και φυλάξτε αυτές τις οδηγίες χρήσεως ③

## ΤΕΧΝΙΚΑ ΧΑΡΑΚΤΗΡΙΣΤΙΚΑ ①

## ΜΕΡΗ ΤΟΥ ΕΡΓΑΛΕΙΟΥ ②

- A** Δίσκος συγκράτησης για γενική λείανση  
**B** Δίσκος συγκράτησης για έκκεντρη λείανση  
**C** Πλάκα βάσης για εξαρτήματα λείανσης\*  
**D** Βίδα δίσκου  
**E** Εξάγωνο κλειδί  
**F** Διακόπτης δύο ταχυτήτων  
**G** Δέλτα  
**H** Προσάρτημα "περσίδα"\*  
**J** Εύκαμπτο εξάρτημα λείανσης\*  
**K** Γλώσσα εξάρτημα λείανσης\*  
**L** Κουμπί στερέωσης εξαρτημάτων λείανσης\*  
**M** Δοχείο συλλογής σκόνης  
**N** Κουμπί για την αφαίρεση του δοχείου συλλογής σκόνης  
**P** Προέκταση ηλεκτρικής σκούπας  
**Q** Σχισμές αερισμού

\* ΔΕΝ ΠΕΡΙΛΑΜΒΑΝΕΤΑΙ ΣΤΗ ΣΤΑΝΤΑΡ ΣΥΣΚΕΥΑΣΙΑ

## ΑΣΦΑΛΕΙΑ

## ΓΕΝΙΚΕΣ ΥΠΟΔΕΙΞΕΙΣ ΑΣΦΑΛΕΙΑΣ

**⚠ ΠΡΟΕΙΔΟΠΟΙΗΣΗ!** Διαβάστε όλες τις προειδοποιητικές υποδείξεις. Αμέλειες κατά την τήρηση των προειδοποιητικών υποδείξεων μπορεί να προκαλέσουν ηλεκτροπληξία, κίνδυνο πυρκαγιάς ή/και σοβαρούς τραυματισμούς. **Φυλάξτε όλες τις προειδοποιητικές υποδείξεις και οδηγίες για κάθε μελλοντική χρήση.** Ο ορισμός "ηλεκτρικό εργαλείο" που χρησιμοποιείται στις προειδοποιητικές υποδείξεις αναφέρεται σε ηλεκτρικά εργαλεία που τροφοδοτούνται από το ηλεκτρικό δίκτυο (με ηλεκτρικό καλώδιο) καθώς και σε ηλεκτρικά εργαλεία που τροφοδοτούνται από μπαταρία (χωρίς ηλεκτρικό καλώδιο).

## 1) ΑΣΦΑΛΕΙΑ ΣΤΟ ΧΩΡΟ ΕΡΓΑΣΙΑΣ

- Διατηρείτε το χώρο που εργάζεσθε καθαρό και καλά φωτισμένο.** Αταξία στο χώρο που εργάζεσθε ή μη φωτισμένες περιοχές εργασίας μπορεί να οδηγήσουν σε ατυχήματα.
- Μην εργάζεσθε με το ηλεκτρικό εργαλείο σε περιβάλλον που υπάρχει κίνδυνος έκρηξης, στο οποίο υπάρχουν εύφλεκτα υγρά, αέρια ή σκόνη.** Τα ηλεκτρικά εργαλεία μπορεί να δημιουργήσουν σπινθηρισμό ο οποίος μπορεί να αναφλέξει τη σκόνη ή τις αναθυμιάσεις.

- Όταν χρησιμοποιείτε το ηλεκτρικό εργαλείο κρατάτε τα παιδιά κι άλλα τυχόν πρόσωπα μακριά από το χώρο που εργάζεσθε.** Σε περίπτωση που άλλα άτομα αποσπάσουν την προσοχή σας μπορεί να χάσετε τον έλεγχο του μηχανήματος.
- ΗΛΕΚΤΡΙΚΗ ΑΣΦΑΛΕΙΑ**
  - Το φως του καλωδίου του ηλεκτρικού εργαλείου πρέπει να ταυρίζεται στην αντίστοιχη πρίζα. Δεν επιτρέπεται με κανένα τρόπο η μετασκευή του φως. Μην χρησιμοποιείτε προσαρμοστικά φως σε συνδυασμό με ηλεκτρικά εργαλεία συνδεδεμένα με τη γη (γειωμένα).** Αθικτα φως και κατάλληλες πρίζες μειώνουν τον κίνδυνο ηλεκτροπληξίας.
  - Αποφεύγετε την επαφή του σώματος σας με γειωμένες επιφάνειες όπως σωλήνες, θερμαντικά σώματα (καλοριφέρ), κουζίνες και ψυγεία.** Όταν το σώμα σας είναι γειωμένο αυξάνεται ο κίνδυνος ηλεκτροπληξίας.
  - Μην εκθέτετε το ηλεκτρικό εργαλείο στη βροχή ή την υγρασία.** Η διείσδυση νερού στο ηλεκτρικό εργαλείο αυξάνει τον κίνδυνο ηλεκτροπληξίας.
  - Μην χρησιμοποιείτε το καλώδιο για να μεταφέρετε ή ν'αναρτήσετε το ηλεκτρικό εργαλείο ή για να βγάλετε το φως από την πρίζα. Κρατάτε το καλώδιο μακριά από υψηλές θερμοκρασίες, λάδια, κοφτερές ακμές ή κινούμενα εξαρτήματα.** Τυχόν χαλασμένα ή μπερδεμένα καλώδια αυξάνουν τον κίνδυνο ηλεκτροπληξίας.
  - Όταν εργάζεσθε με το ηλεκτρικό εργαλείο στο ύπαιθρο χρησιμοποιείτε πάντοτε καλώδια επιμήκυνσης (μπαλανάτες) που έχουν εγκριθεί για χρήση σε εξωτερικούς χώρους.** Η χρήση καλωδίων επιμήκυνσης εγκριμένων για εργασία σε εξωτερικούς χώρους μειώνει τον κίνδυνο ηλεκτροπληξίας.
  - Όταν η χρήση του ηλεκτρικού εργαλείου σε υγρό περιβάλλον είναι αναπόφευκτη, τότε χρησιμοποιήστε έναν προστατευτικό διακόπτη διαρροής.** Η χρήση ενός προστατευτικού διακόπτη διαρροής ελαττώνει τον κίνδυνο ηλεκτροπληξίας.
- ΑΣΦΑΛΕΙΑ ΠΡΟΣΩΠΩΝ**
  - Να είσθε πάντοτε προσεκτικός/προσεκτική, να δίνετε προσοχή στην εργασία που κάνετε και να χειρίζεσθε το ηλεκτρικό εργαλείο με περίσκεψη.** Μην κάνετε χρήση του ηλεκτρικού εργαλείου όταν είσθε κουρασμένος/κουρασμένη ή όταν βρίσκεσθε υπό την επιρροή ναρκωτικών, ομοινοενυμωτών ή φαρμάκων. Μια στιγμιαία απροσεξία κατά το χειρισμό του ηλεκτρικού εργαλείου μπορεί να οδηγήσει σε σοβαρούς τραυματισμούς.
  - Φοράτε προστατευτικά ενδύματα και πάντοτε προστατευτικά γυαλιά.** Όταν φοράτε ενδύματα ασφαλείας, ανάλογα με το υπό χρήση ηλεκτρικό εργαλείο, όπως προστατώδια προστασίας από σκόνη, αντιολισθητικά παπούτσια ασφαλείας, κράνη ή ωασιπίδες, μειώνεται ο κίνδυνος τραυματισμών.
  - Αποφεύγετε την αθέλητη εκκίνηση. Βεβαιωθείτε ότι το ηλεκτρικό εργαλείο έχει αποζευχτεί πριν το συνδέσετε με το ηλεκτρικό δίκτυο ή/και με την μπαταρία καθώς και πριν το παραλάβετε ή το μεταφέρετε.** Όταν μεταφέρετε το ηλεκτρικό



- εργαλείο έχοντας το δάχτυλό σας στο διακόπτη ή όταν συνδέσετε το μηχάνημα με την πηγή ρεύματος όταν αυτό είναι ακόμη συζευγμένο, τότε δημιουργείται κίνδυνος τραυματισμών.
- d) **Αφαιρείτε από τα ηλεκτρικά εργαλεία πριν τα θέσετε σε λειτουργία τυχόν συναρμολογημένα χρησιμοποιήσιμα εργαλεία ή κλειδιά.** Ενα εργαλείο ή κλειδί συναρμολογημένο στο περιστρεφόμενο εξάρτημα ενός ηλεκτρικού εργαλείου μπορεί να οδηγήσει σε τραυματισμούς.
- e) **Μην υπερκτιμάτε τον εαυτό σας. Φροντίζετε για την ασφαλή στήριξη του σώματος σας και διατηρείτε πάντοτε την ισορροπία σας.** Αυτό σας επιτρέπει τον καλύτερο έλεγχο το ηλεκτρικού εργαλείου σε περιπτώσεις απροσδόκων καταστάσεων.
- f) **Φοράτε κατάλληλη ενδυμασία εργασίας. Μη φοράτε φαρδιά ενδύματα ή κοσμήματα. Κρατάτε τα μαλλιά σας, τα ενδύματα σας και τα γάντια σας μακριά από τα κινούμενα εξαρτήματα.** Χαλαρή ενδυμασία, κοσμήματα και μακριά μαλλιά μπορεί να εμπλακούν στα κινούμενα εξαρτήματα.
- g) **Αν υπάρχει η δυνατότητα συναρμολόγησης διατάξεων αναρρόφησης ή συλλογής σκόνης, βεβαιωθείτε αν οι διατάξεις αυτές είναι συνδεδεμένες καθώς κι αν χρησιμοποιούνται σωστά.** Η χρήση μιας αναρρόφησης σκόνης μπορεί να ελαττώσει τον κίνδυνο που προκαλείται από τη σκόνη.
- 4) ΧΡΗΣΗ ΚΙ ΕΠΙΜΕΛΗΣ ΧΕΙΡΙΣΜΟΣ ΤΩΝ ΗΛΕΚΤΡΙΚΩΝ ΕΡΓΑΛΕΙΩΝ**
- a) **Μην υπερφορτώνετε το ηλεκτρικό εργαλείο. Χρησιμοποιείτε για την εκάστοτε εργασία σας το ηλεκτρικό εργαλείο που προορίζεται γι'αυτήν.** Με το κατάλληλο ηλεκτρικό εργαλείο εργάζεσθε καλύτερα και ασφαλέστερα στην αναφερόμενη περιοχή ισχύος.
- b) **Μη χρησιμοποιήσετε ποτέ ένα ηλεκτρικό εργαλείο το οποίο ο διακόπτης ON/OFF είναι χαλασμένος.** Ενα ηλεκτρικό εργαλείο το οποίο δεν μπορεί να τεθεί πλέον σε ή εκτός λειτουργίας είναι επικίνδυνο και πρέπει να επισκευαστεί.
- c) **Βγάzte το φιλ από την πρίζα και/ή αφαιρέστε την μπαταρία πριν διεξάγετε στο εργαλείο μια οποιαδήποτε εργασία ρύθμισης, πριν αλλάξετε ένα εξάρτημα ή όταν πρόκειται να διαφυλάξετε/ να αποθηκεύσετε το εργαλείο.** Αυτά τα προληπτικά μέτρα ασφαλείας μειώνουν τον κίνδυνο από τυχόν αβέλητη εκκίνηση του ηλεκτρικού εργαλείου.
- d) **Διαφυλάγετε τα ηλεκτρικά εργαλεία που δε χρησιμοποιείτε μακριά από παιδιά. Μην αφήνετε άτομα που δεν είναι εξοικειωμένα με το ηλεκτρικό εργαλείο ή δεν έχουν διαβάσει αυτές τις οδηγίες χρήσης να το χρησιμοποιήσουν.** Τα ηλεκτρικά εργαλεία είναι επικίνδυνα όταν χρησιμοποιούνται από άπειρα πρόσωπα.
- e) **Να περιποιήστε προσεκτικά το ηλεκτρικό σας εργαλείο και να ελέγχετε, αν τα κινούμενα τμήματα του λειτουργούν άψογα και δεν μπλοκάρουν, ή μήπως έχουν χαλάσει ή οι σπασί εξαρτήματα, τα οποία επηρεάζουν έτσι αρνητικά τον τρόπο λειτουργίας του ηλεκτρικού εργαλείου. Δώστε τυχόν χαλασμένα εξαρτήματα του ηλεκτρικού εργαλείου για επισκευή πριν το**

**χρησιμοποιήσετε πάλι.** Η ανεπαρκής συντήρηση των ηλεκτρικών εργαλείων αποτελεί αιτία πολλών ατυχημάτων.

- f) **Διατηρείτε τα κοπτικά εργαλεία κοφτερά και καθαρά.** Τα κοπτικά εργαλεία που συντηρούνται με προσοχή μπορούν να οδηγηθούν εύκολα και να ελεγχθούν καλύτερα.
- g) **Χρησιμοποιείτε τα ηλεκτρικά εργαλεία, τα εξαρτήματα, τα χρησιμοποιήσιμα εργαλεία κτλ. σύμφωνα με τις παρούσες οδηγίες καθώς. Λαμβάνετε ταυτόχρονα υπόψη σας τις συνθήκες εργασίας και την υπό εκτέλεση εργασία.** Η χρήση του ηλεκτρικού εργαλείου για άλλες εκτός από τις προβλεπόμενες εργασίες μπορεί να δημιουργήσει επικίνδυνες καταστάσεις.
- 5) SERVICE**
- a) **Δίνετε το ηλεκτρικό σας εργαλείο για επισκευή από άριστα ειδικευμένο προσωπικό, μόνο με γνήσια ανταλλακτικά.** Ετσι εξασφαλίζεται η διατήρηση της ασφάλειας του ηλεκτρικού εργαλείου.

#### ΥΠΟΔΕΙΞΕΙΣ ΑΣΦΑΛΕΙΑΣ ΓΙΑ ΤΡΙΒΕΙΑ

- Προφυλάξτε το εργαλείο από τυχόν φθορές από ξένα σώματα (βίδες, καρφιά ή άλλα) που ίσως είναι μέσα στο κομμάτι που θα δουλέψετε - αφαιρέστε τα πριν αρχίσετε την εργασία
- Να κρατάτε πάντα το καλώδιο μακριά από τα κινούμενα μέρη του εργαλείου σας - κρατάτε το καλώδιο προς τα πίσω, μακριά από το εργαλείο
- **Στερεώστε το κομμάτι εργασίας** (το κομμάτι εργασίας συγκρατείται καλύτερα με σφιγκτήρες ή σε μέγνηνη παρά με το χέρι)
- Όταν τελειώνετε την δουλειά σας και ακουμπάτε το εργαλείο στο πλάι, κλείστε τον διακόπτη και βεβαιωθείτε ότι όλα τα κινούμενα μέρη του έχουν σταματήσει εντελώς
- Χρησιμοποιείτε ασφαλείς, τελείως ξετυλιγμένες προεκτάσεις καλωδίου με χωρητικότητα 16 Amps
- Σε περίπτωση ηλεκτρικής ή μηχανικής δυσλειτουργίας, σταματήστε αμέσως το εργαλείο και βγάλτε το από την πρίζα
- Η SKIL εγγυάται την τέλεια λειτουργία του εργαλείου μόνο όταν χρησιμοποιούνται αυθεντικά εξαρτήματα
- Αυτό το εργαλείο δεν πρέπει να χρησιμοποιείται από άτομα κάτω των 16 ετών
- Η ηχητική στάθμη κατά την εργασία ενδέχεται να ξεπεράσει τα 85 dB(A) - γι' αυτό θα πρέπει να φοράτε προστασία ακοής
- Σε περίπτωση που υποστεί βλάβη ή κοπεί το καλώδιο κατά την εργασία, μην αγγίζετε το καλώδιο, αλλά αποσυνδέστε αμέσως το φις από την πρίζα
- Ποτέ μη χρησιμοποιείτε το εργαλείο όταν έχει υποστεί βλάβη το καλώδιο - το καλώδιο θα πρέπει να αντικατασταθεί από έναν εξειδικευμένο τεχνίτη
- Βεβαιωθείτε ότι η τάση του παρεχόμενου ρεύματος είναι ίδια με την τάση που υποδεικνύεται στην πινακίδα δεδομένων του εργαλείου (εργαλεία που φέρουν την ένδειξη 230V ή 240V μπορούν να συνδεθούν επίσης σε πρίζα 220V)
- Αυτό το εργαλείο δεν είναι κατάλληλο για λείανση με γρήση υγρών
- **Μην κατεργάζεστε υλικά που περιέχουν αμιάντο** (το αμιάντο θεωρείται σαν καρκινογόνο υλικό)

- Η σκόνη από υλικά όπως μπιγιές που περιέχουν μόλυβδο, ορισμένα είδη ξύλου, ανόργανα στοιχεία και μέταλλα μπορεί να είναι επιβλαβής (η επαφή ή η εισπνοή της σκόνης μπορεί να προκαλέσει αλλεργικές αντιδράσεις ή/και αναπνευστικές ασθένειες στον χειριστή ή σε άτομα που παρίστανται) - **να φοράτε προστασία από τη σκόνη και να εργάζεστε με συσκευή αφαίρεσης σκόνης όταν είναι δυνατό**
- Ορισμένα είδη σκόνης ταξινομούνται ως καρκινογόνα (όπως η σκόνη από τη δρυ ή την οξιά) ιδιαίτερα σε συνδυασμό με πρόσθετα συντήρησης ξύλου - **να φοράτε προστασία από τη σκόνη και να εργάζεστε με συσκευή αφαίρεσης σκόνης όταν είναι δυνατό**
- Ακολουθήστε τις σχετικές με σκόνη εθνικές διατάξεις για τα υλικά που θέλετε να εργαστείτε
- Όταν λειανείτε μέταλλα παράγονται σπινθήρες - μη χρησιμοποιείτε το δοχείο συλλογής σκόνης/την ηλεκτρική σκούπα και απομακρύνετε άλλα άτομα και εύφλεκτα υλικά από τον χώρο εργασίας
- Μην έρχεστε σε επαφή με το κινούμενο γυαλόχαρτο
- Δεν επιτρέπεται η περαιτέρω χρήση γυαλόχαρτων που έχουν φθαρεί, σχιστεί ή έχουν χάσει τη λειαντική τους ικανότητα
- Φοράτε προστατευτικά γάντια, προστατευτικά γυαλιά, εφαρμοστά ενδύματα και κάλυμμα μαλλιών (για μακριά μαλλιά)
- **Πάντα να αποσυνδέεται την πρίζα από το ηλεκτρικό δίκτυο πριν κάνετε κάποια ρύθμιση ή αλλάξετε εξάρτημα**

## ΧΡΗΣΗ

- Δίσκοι συγκράτησης γυαλόχαρτου
  - μην χρησιμοποιείτε ποτέ το εργαλείο σας χωρίς δίσκο συγκράτησης A ή B, ή πλάκα βάσης C
  - να χρησιμοποιείτε το σωστό δίσκο συγκράτησης ανάλογα με τη δουλειά που κάνετε (δείτε: Οδηγίες εφαρμογής)
- ! **να αντικαθιστάτε αμέσως τους φθαρμένους δίσκους συγκράτησης**
- Αλλαγή δίσκων συγκράτησης ④
  - αφαιρέστε το αυτοκόλλητο γυαλόχαρτο
  - αφαιρέστε τη βίδα δίσκου D με το εξάγωνο κλειδί E
  - τοποθετήστε το δίσκο συγκράτησης A ή B όπως εικονίζεται
  - αν χρειάζεται καθαρίστε το δίσκο συγκράτησης
  - προσδέστε τη βίδα δίσκου D με το εξάγωνο κλειδί E
- ! **κρατήστε γερά το δίσκο συγκράτησης και ταυτόχρονα λασκάρτε/στερεώστε τη βίδα δίσκου D**
- ! **βγάλτε το εργαλείο από την πρίζα πριν αφαιρέσετε ή τοποθετήσετε το δίσκο συγκράτησης**
- ! **η βίδα δίσκου D ζεσταίνεται κατά την χρήση, γι' αυτό μην την αγγίζετε μέχρι να κρυώσει**
- Τοποθέτηση γυαλόχαρτου ⑤
  - ! **βγάλτε το φιλ από την πρίζα**
  - τοποθετήστε το αυτοκόλλητο γυαλόχαρτο (VELCRO) όπως δείχνει η εικόνα
  - ! **το σύστημα απορρόφησης σκόνης απαιτεί τη χρήση διάτρητων φύλλων γυαλόχαρτου**
  - ! **η διάτρηση στο γυαλόχαρτο πρέπει να**

## αντιστοιχεί στη διάτρηση του λειαντικού πέλματος

- ! **αλλάζετε έγκαιρα το φθαρμένο γυαλόχαρτο**
- ! **χρησιμοποιείτε το εργαλείο πάντα καλύπτοντας ολόκληρη τη λειαντική επιφάνεια με γυαλόχαρτο**
- Διακόπτης δύο ταχυτήτων ⑥
  - ξεκινείτε/σταματήστε το εργαλείο σπρώχνοντας το διακόπτη F ② προς τα εμπρός/πίσω (3 θέσεις)
  - 0 = σταση
  - 1 = χαμηλή ταχύτητα
  - 2 = υψηλή ταχύτητα
  - επιλέξτε τη θέση 1 για λείανση ακριβείας (κατά την εργασία με προέκταση δέλτα G ή ειδικά εξαρτήματα λείανσης H, J ή K)
  - επιλέξτε τη θέση 2 για γρήγορη λείανση
  - ! **πρέπει να ξεκινήσετε το εργαλείο πριν η λειαντική επιφάνεια (το γυαλόχαρτο) φθάσει το κομμάτι που κατεργάζεσθε**
  - ! **προτού σταματήσετε το εργαλείο πρέπει να το ανασήκωστε από το κατεργαζόμενο κομμάτι**
- Τοποθέτηση ειδικών προσαρτημάτων λείανσης (**δεν περιλαμβάνεται στη στάνταρ συσκευασία**) ⑦
  - τοποθετήστε την πλάκα βάσης C (παρόμοια με την τοποθέτηση ενός δίσκου συγκράτησης)
  - τοποθετήστε το εξάρτημα H, J ή K επάνω στην πλάκα βάσης C και στερεώστε το στρέφοντας το κουμπί L δεξιόστροφα
  - προσαρτήστε το αντίστοιχο αυτοκόλλητο φύλλο γυαλόχαρτου στο προσάρτημα λείανσης
  - αφαιρέστε τα εξαρτήματα ή αλλάξτε την θέση τους στρέφοντας το κουμπί L αριστερόστροφα
  - 5 θέσεις λείανσης
- Απορρόφηση σκόνης ⑧
  - να αδειάζετε κανονικά το δοχείο συλλογής σκόνης M για καλύτερη απορρόφηση της σκόνης
  - Για να χρησιμοποιήσετε ηλεκτρική σκούπα
  - αφαιρέστε το δοχείο συλλογής σκόνης M πατώντας τον διακόπτη N προς τα αριστερά και κρατώντας τον σε αυτή τη θέση καθώς τραβάτε το δοχείο συλλογής σκόνης προς τα πίσω
  - συνδέστε την ηλεκτρική σας σκούπα στην υποδοχή P
  - ! **μη χρησιμοποιείτε το δοχείο συλλογής σκόνης/την ηλεκτρική σκούπα όταν λειανείτε μέταλλα**
- Πώς να κρατάτε και να οδηγείτε το εργαλείο ⑨
  - οδηγήστε το εργαλείο σας παράλληλα προς την επιφάνεια εργασίας
  - ! **μην εφαρμόζετε υπερβολική πίεση στο εργαλείο - αφήστε την λειαντική επιφάνεια να δουλέψει για σας**
  - μην κινείτε απότομα και μη γέρνετε το εργαλείο για να αποφύγετε σημάδια στη λειανόμενη επιφάνεια
  - ! **ενώ εργάζεστε, να κρατάτε πάντα το εργαλείο από τη/τις λαβή/ές με γκρι χρώμα**
  - κρατάτε τις σχισμές αερισμού Q ② ακάλυπτες

## ΟΔΗΓΙΕΣ ΕΦΑΡΜΟΓΗΣ

- Χρησιμοποιήστε το εργαλείο με τη μητερή πλευρά της πλάκας για άκρες, στενά ή δύσβατα σημεία ⑩
- Χρησιμοποιήστε το εργαλείο με τη φαρδιά πλευρά της πλάκας για μεγάλες διαδρομές σε επίπεδες επιφάνειες ⑪
- Για τη λείανση καμπυλωτών κομματιών εργασίας

καθώς και για λείανση υψηλής απόδοσης χρησιμοποιήστε το εργαλείο σε συνδυασμό με το δίσκο συγκράτησης A ②

- Χρησιμοποιείτε το εργαλείο με τα ειδικά προσαρτήματα λείανσης για να φτάσετε σε δυσπρόσιτα μέρη ⑫
- Ο εύκαμπτο προσάρτημα λείανσης προορίζεται για
  - το στρογγύλεμα γωνιών ⑬a
  - όλες τις στρογγυλεμένες επιφάνειες με μέγιστη διάμετρο 10 cm ⑬b
- Όταν το δέλτα G έχει φθαρεί ή έχει υποστεί βλάβη στη μύτη, μπορείτε να αυξάνετε δύο φορές τη διάρκεια ζωής του αφαιρώντας το, περιστρέφοντάς το 120° και επανατοποθετώντας το (το ίδιο ισχύει επίσης και για το τριγωνικό φύλλο γυαλόχαρτου) ⑭
- Ποτέ μην κατεργάζεστε ξύλα και μέταλλα με το ίδιο γυαλόχαρτο
- Συνιστώμενες ποιότητες γυαλόχαρτου:
  - χονδρόκοκκο - για την αφαίρεση χρωμάτων, για λείανση εξαιρετικά άγριου ξύλου
  - μεσαίων κόκκων - για λείανση άγριου ή μαλακού ξύλου
  - λεπτόκοκκο - για λεπτή λείανση επιφάνειας ξύλου, για φινιρίσμα γυμνού ξύλου, για λείανση επιφανειών με παλλή στρώμα χρώματος
- Να χρησιμοποιείτε διάφορα μεγέθη κόκκων όταν η επιφάνεια που κατεργάζεστε είναι άγρια:
  - Ξεκινήστε τη λείανση με χονδρούς κόκκους ή μεσαίου μεγέθους κόκκους
  - τελειώστε την κατεργασία με λεπτούς κόκκους
- Για περισσότερες συμβουλές δείτε [www.skil.com](http://www.skil.com)

## ΣΥΝΤΗΡΗΣΗ / ΣΕΡΒΙΣ

- Αυτό το εργαλείο δεν προορίζεται για επαγγελματική χρήση
- Κρατάτε πάντοτε το εργαλείο και το καλώδιο καθαρά (και ιδιαίτερα τις θυρίδες αερισμού Q ②)
  - απομακρύνετε την κολλημένη σκόνη μ' ένα πινέλο
- ! αφαιρέστε την πρίζα πριν το καθάρισμα**
- Αν παρ' όλες τις επιμελημένες μεθόδους κατασκευής κι ελέγχου το εργαλείο σταματήσει κάποτε να λειτουργεί, τότε η επισκευή του πρέπει να ανατεθεί σ' ένα εξουσιοδοτημένο συνεργείο για ηλεκτρικά εργαλεία της SKIL
  - στείλτε το εργαλείο **χωρίς να το αποσυναρμολογήσετε** μαζί με την απόδειξη αγοράς στο κατάστημα από το οποίο το αγοράσατε ή στον πλησιέστερο σταθμό τεχνικής εξυπηρέτησης της SKIL (θα βρείτε τις διευθύνσεις και το διάγραμμα συντήρησης του εργαλείου στην ιστοσελίδα [www.skil.com](http://www.skil.com))

## ΠΕΡΙΒΑΛΛΟΝ

- Μην πετάτε τα ηλεκτρικά εργαλεία, εξαρτήματά και συσκευασία στον κάδο οικιακών απορριμμάτων** (μόνο για τις χώρες της ΕΕ)
  - σύμφωνα με την ευρωπαϊκή οδηγία 2002/96/ΕΚ περί ηλεκτρικών και ηλεκτρονικών συσκευών και την ενσωμάτωσή της στο εθνικό δίκαιο, τα ηλεκτρικά εργαλεία πρέπει να συλλέγονται ξεχωριστά και να επιστρέφονται για ανακύκλωση με τρόπο φιλικό προς το περιβάλλον

- το σύμβολο ⑮ θα σας το θυμίσει αυτό όταν έλθει η ώρα να πετάξετε τις

## ΔΗΛΩΣΗ ΣΥΜΜΟΡΦΩΣΗΣ CE

- Δηλώνουμε υπευθύνως ότι το προϊόν αυτό είναι κατασκευασμένο σύμφωνα με τους εξής κανονισμούς ή κατασκευαστικές συστάσεις: EN 60745, EN 61000, EN 55014, κατά τις διατάξεις των κανονισμών της Κοινής Αγοράς 2004/108/ΕΚ, 2006/42/ΕΚ, 2011/65/ΕΕ
- Τεχνικός φάκελος από:** SKIL Europe BV (PT-SEU/ENG1), 4825 BD Breda, NL

Marijn van der Hoofden  
Operations & Engineering

Olaf Dijkgraaf  
Approvals Manager

SKIL Europe BV, 4825 BD Breda, NL  
19.08.2013

## ΘΟΡΥΒΟ/ΚΡΑΔΑΣΜΟΥΣ

- Μετρημένη σύμφωνα με EN 60745 η στάθμη ακουστικής πίεσης αυτού του εργαλείου ανέρχεται σε 75 dB(A) και η στάθμη ηχητικής ισχύος σε 86 dB(A) (κοινή απόκλιση: 3 dB), και ο κραδασμός σε 10,7 m/s<sup>2</sup> (μεθοδος χειρός/βραχίονα - ανασφάλεια K = 1,5 m/s<sup>2</sup>)
  - Το επίπεδο παραγωγής κραδασμών έχει μετρηθεί σύμφωνα με μια τυποποιημένη δοκιμή που αναφέρεται στο πρότυπο EN 60745 - μπορεί να χρησιμοποιηθεί για τη σύγκριση ενός εργαλείου με ένα άλλο, καθώς και ως προκαταρκτική αξιολόγηση της έκθεσης στους κραδασμούς όταν το εργαλείο χρησιμοποιείται για τις εφαρμογές που αναφέρονται
    - η χρήση του εργαλείου για διαφορετικές εφαρμογές ή με διαφορετικά ή κακοσυντηρημένα εξαρτήματα μπορεί να **αυξήσει** σημαντικά το επίπεδο έκθεσης
    - όταν το εργαλείο είναι απενεργοποιημένο ή δουλεύει αλλά δεν εκτελεί την εργασία, το επίπεδο έκθεσης μπορεί να **μειωθεί** σημαντικά
- ! προστατευτείτε από τις επιδράσεις των κραδασμών συντηρώντας σωστά το εργαλείο και τα εξαρτήματά του, διατηρώντας τα χέρια σας ζεστά και οργανώνοντας τον τρόπο εργασίας σας**

RO

Şlefuitor multifuncțional

7220

## INTRODUCERE

- Această sculă se utilizează pentru şlefuirea uscată şi finisarea lemnului unor suprafeţe vopsite, plastic şi chit
- Această sculă nu este destinată utilizării profesionale
- Citiţi şi păstraţi acest manual de instrucţiuni ③

## CARACTERISTICI TEHNICE ①

## ELEMENTELE SCULEI ②

- A Platau de şlefuit multifuncțional
- B Platau de şlefuit pentru şlefuire excentrică

- C Placă de bază pentru accesorii de șlefuire\*
- D Șurub platoului
- E Cheia hexagonală
- F Întrerupător cu două viteze
- G Vârf delta
- H Accesoriu Louvre\*
- J Accesoriu de șlefuire flexibil\*
- K Accesoriu tip deget\*
- L Buton de prindere a accesoriilor de șlefuit\*
- M Casetă pentru praf
- N Manetă pentru demontarea casetă pentru praf
- P Extensie pentru aspirator
- Q Fantele de ventilație

\* NU ESTE INCLUS ÎN VERSIUNEA STANDARD

## SIGURANȚA

### INSTRUCȚIUNI DE SIGURANȚĂ GENERALE

**⚠ ATENȚIE!** Citiți toate indicațiile de avertizare și instrucțiunile. Nerespectarea indicațiilor de avertizare și a instrucțiunilor poate provoca electrocutare, incendii și/ sau răniiri grave. **Păstrați toate indicațiile de avertizare și instrucțiunile în vederea utilizărilor viitoare.** Termenul de "sculă electrică" folosit în indicațiile de avertizare se referă la sculele electrice alimentate de la rețea (cu cablu de alimentare) și la sculele electrice cu acumulator (fără cablu de alimentare).

#### 1) SIGURANȚA LA LOCUL DE MUNCĂ

- a) **Păstrați-vă locul de muncă curat și bine iluminat.** Dezordinea la locul de muncă sau existența unor sectoare de lucru neiluminate poate duce la accidente.
- b) **Nu folosiți mașina în medii cu pericol de explozie, acolo unde există lichide, gaze sau pulberi inflamabile.** Sculele electrice pot produce scânteii care să aprindă pulberile sau vaporii.
- c) **Nu permiteți accesul copiilor și al altor persoane în timpul lucrului cu mașina.** Dacă vi se distrage atenția puteți pierde controlul asupra mașinii.

#### 2) SECURITATE ELECTRICĂ

- a) **Ștecherul de racordare a mașinii trebuie să se potrivească cu priza de alimentare. Nu este permisă în nici-un caz modificarea ștecherului. Nu folosiți adaptoare pentru ștechere la mașinile legate la pământ.** Ștecherele nemodificate și prizele de curent adecvate acestora reduc riscul de electrocutare.
- b) **Evitați contactul corporal cu suprafețe legate la pământ ca țevi, radiatoare, plite electrice și frigider.** Există un risc crescut de electrocutare atunci când corpul dv. este și el legat la pământ.
- c) **Nu lăsați mașina afară în ploaie sau în mediu umed.** Riscul de electrocutare crește atunci când într-o sculă electrică pătrunde apă.
- d) **Nu trageți niciodată mașina de cordonul de alimentare pentru a o transporta, a o atârna sau a scoate ștecherul din priza de curent. Feriți cordonul de alimentare de căldură, ulei, muchii ascuțite sau de subsansamble aflate în mișcare.** Un cordon de alimentare deteriorat sau înfășurat mărește riscul de electrocutare.
- e) **Atunci când lucrați cu scula electrică în aer**

**liber, folosiți numai cordoane prelungitoare autorizate pentru exterior.** Întrebuințarea unu cordon prelungitor adecvat utilizării în aer liber reduce riscul de electrocutare.

- f) **Atunci când nu poate fi evitată utilizarea sculei electrice în mediu umed, folosiți un întrerupător de circuit cu împământare.** Folosirea unei întrerupător de circuit cu împământare reduce riscul de electrocutare.
- #### 3) SECURITATEA PERSOANELOR
- a) **Fiți vigilenți, fiți atenți la ceea ce faceți și procedați rațional atunci când lucrați cu scula electrică. Nu folosiți mașina dacă sunteți oboșiți sau vă aflați sub influența drogurilor, alcoolului sau a medicamentelor.** Un moment de neatenție în timpul lucrului cu mașina poate duce la răniiri grave.
  - b) **Purtați echipament de protecție personală și întotdeauna ochelari de protecție.** Folosirea echipamentelor de protecție a persoanei ca mască de protecție împotriva prafului, încălțăminte antiderapantă, cască de protecție sau aparat de protecție auditivă, în funcție de tipul și domeniul de folosire al sculei electrice, reduce riscul răniirilor.
  - c) **Evitați o punere în funcțiune involuntară. Înainte de a introduce ștecherul în priză și/sau de a introduce acumulatorul în scula electrică, de a o ridica sau de a o transporta, asigurați vă că aceasta este oprită.** Dacă atunci când transportați scula electrică țineți degetul pe întrerupător sau dacă porniți scula electrică înainte de a o racorda la rețeaua de curent, puteți provoca accidente.
  - d) **Înainte de a pune mașina în funcțiune scoateți afară cheile reglabile și fixe.** O cheie reglabilă sau fixă, aflată într-o componentă de mașină care se rotește, poate provoca răniiri.
  - e) **Nu vă supraapreciați. Asigurați-vă o poziție stabilă și păstrați-vă întotdeauna echilibrul.** Astfel veți putea controla mai bine mașina în situații neașteptate.
  - f) **Purtați îmbrăcăminte de lucru adecvată. Nu purtați haine largi sau podoabe. Țineți părul, îmbrăcăminte și mănușile departe de componente aflate în mișcare.** Îmbrăcăminte largă, podoabe și părul lung pot fi prinse de piesele aflate în mișcare.
  - g) **Dacă există posibilitatea montării de echipamente și instalații de aspirare și colectare a prafului, asigurați-vă că acestea sunt conectate și folosite corect.** Folosirea unei instalații de aspirare a prafului poate duce la reducerea poluării cu praf.
- #### 4) MANEVRAȚI ȘI FOLOSIȚI CU GRIJĂ SCULELE ELECTRICE
- a) **Nu suprasolicitați mașina. Folosiți scula electrică destinată executării lucrării dumneavoastră.** Cu scula electrică potrivită lucrați mai bine și mai sigur în domeniul de putere specificat.
  - b) **Nu folosiți scula electrică dacă are întrerupătorul defect.** O sculă electrică, care nu mai poate fi pornită sau oprită este periculoasă și trebuie reparată.
  - c) **Scoateți ștecherul afară din priză și/sau îndepărtați acumulatorul, înainte de a executa reglaje, a schimba accesorii sau de a pune mașina la o parte.** Această măsură preventivă reduce riscul unei porniri involuntare a mașinii.
  - d) **În caz de nefolosire păstrați mașinile la loc inaccesibil copiilor. Nu permiteți persoanelor care**

- nu sunt familiarizate cu mașina sau care n-au citit prezentele instrucțiuni, să folosească mașina. Sculele electrice sunt periculoase atunci când sunt folosite de persoane fără experiență.
- e) **Întrețineți-vă cu grijă mașina. Controlați dacă componentele mobile funcționează corect și dacă nu se blochează, dacă nu există piese defecte sau deteriorate, care să afecteze funcționarea mașinii. Înainte de a repune în funcțiune mașina, duceți-o la un atelier de asistență service pentru repararea sau înlocuirea pieselor deteriorate.** Multe accidente s-au datorat întreținerii defectuoase a sculelor electrice.
- f) **Păstrați accesoriile bine ascuțite și curate.** Accesoriile atent întreținute, cu muchii tăietoare bine ascuțite se blochează mai greu și pot fi conduse mai ușor.
- g) **Folosiți sculele electrice, accesoriile, dispozitivele de lucru etc. conform prezentelor instrucțiuni. Țineți seama de condițiile de lucru și de lucrarea care trebuie executată.** Întrebuițarea unor scule electrice destinate altor utilizări decât cele preconizate, poate duce la situații periculoase.
- 5) **SERVICE**
- a) **Permiteți repararea mașinii dumneavoastră numai de către un specialist calificat și numai cu piese de schimb originale.** În acest mod este garantată menținerea siguranței de exploatare a mașinii.

## INSTRUCȚIUNI DE SIGURANȚĂ PENTRU ȘLEFUITOARE

- Evitați daunele provocate de șuruburi, țiște și alte elemente din timpul lucrului; înlăturați aceste elemente înainte de a trece la acțiune
- Feriți întotdeauna cordonul de părțile în mișcare ale sculei; orientați cordonul spre spate, la distanță de sculă
- **Securizați piesa de lucru** (o piesă de lucru fixată cu clame sau într-o menhință este ținută mult mai în siguranță decât manual)
- Când puneți instrumentul la o parte, deconectați motorul și asigurați-vă că toate elementele mobile și-au oprit complet mișcarea
- Folosiți cabluri de prelungire derulate complet, protejate/izolate, cu o capacitate de 16 amperi
- În cazul unor defecțiuni electrice sau mecanice deconectați imediat instrumentul și scoateți șnurul din priză
- SKIL garantează funcționarea perfectă a aparatului numai dacă sunt folosite accesoriile originale
- Această sculă nu trebuie să fie folosit de persoane sub 16 ani
- Când este utilizat, nivelul de zgomot poate depăși 85 dB(A); este necesar să purtați echipament de protecție pentru urechi
- În cazul în care cordonul este deteriorat sau secționat în timpul lucrului, nu atingeți cordonul, dar deconectați imediat de la priză
- Nu folosiți scula atunci când cordonul sau prezintă defecțiuni; înlocuirea lor se va efectua de o persoană autorizată
- Verificați întotdeauna dacă tensiunea de alimentare este aceeași cu tensiunea indicată pe plăcuța de identificare a sculei (sculele cu o specificație de 230V și 240V pot fi conectate și la alimentare de 220V)

- Această sculă nu este destinată pentru șlefuire umedă
- **Nu prelucrați materiale care conțin azbest** (azbestul este considerat a fi cancerigen)
- Praful rezultat din materiale precum vopseaua care conține plumb, unele specii de lemn, minerale și metale poate fi periculos (contactul cu praful sau inhalarea acestuia poate provoca reacții alergice și/sau afecțiuni respiratorii operatorului sau persoanelor care stau în apropiere); **purtați o mască de praf și lucrați cu un dispozitiv de extragere a prafului când poate fi conectat**
- Anumite tipuri de praf sunt clasificate ca fiind cancerigene (cum ar fi praful de stejar și fag) în special în combinație cu aditivi pentru tratarea lemnului; **purtați o mască de praf și lucrați cu un dispozitiv de extragere a prafului când poate fi conectat**
- Respectați reglementările naționale referitoare la aspirația prafului în funcție de materialele de lucru folosite
- În timpul șlefuirii de metale sunt împrăștiate scântei; nu folosiți casetă pentru praf/aspiratorul și nu permiteți prezența altor persoane sau a unor materiale inflamabile în perimetrul de activitate
- Nu atingeți benzii mobile de șlefuire
- Nu continuați să folosiți benzile de șlefuire uzate, rupte sau extrem de înbăcșite
- Utilizați întotdeauna mănuși de protecție, ochelari de protecție, îmbrăcăminte strânsă pe corp și articole de protecție a părului (în caz de păr lung)
- **Decuplați întotdeauna ștecherul de la sursa de alimentare înainte de a face o reglare sau o schimbare de accesorii**

## UTILIZAREA

- Platouri de șlefuit
  - nu folosiți niciodată unealta fără platoul de șlefuit A sau B, sau placa de bază C
  - folosiți platoul de șlefuit corect pentru utilizarea corespunzătoare (vezi Sfaturi pentru utilizare)
- **! înlocuiți imediat platourile de șlefuit deteriorate**
- Schimbarea platourilor de șlefuire ④
  - îndepărtați coala abrazivă VELCRO
  - desfaceți șurubul D cu o cheie hexagonală E
  - montați platoul de șlefuire A sau B conform ilustrației
  - dacă este necesar curățați mai întâi platoul de șlefuit
  - strângeți șurubul platoului D cu o cheie hexagonală E
- **! țineți ferm platoul de șlefuire în timp ce slăbiți/strângeți șurubul D acestuia**
- **! scoateți aparatul din priză înainte de a îndepărta/monta platourile de șlefuit**
- **! șurubul platoului de șlefuire D devine fierbinte în timpul utilizării; nu-l atingeți până nu s-a răcit**
- Montarea benzii de șlefuire ⑤
  - ! **deconectați priza**
  - montați benzii de șlefuire VELCRO conform ilustrației
  - ! **pentru aspirarea a prafului este necesară folosirea benzilor de șlefuire perforate**
  - ! **perforațiile de pe benzii de șlefuire trebuie să corespundă cu perforațiile din stativul de șlefuire**
  - ! **înlocuiți la timp benzile de șlefuire uzate**
  - ! **folosiți întotdeauna suprafața de șlefuire a instrumentului acoperiți în totalitate cu hârtie de șlefuire**

- Întrerupător cu două viteze ⑥
  - schimbați întrerupătorul instrumentului în poziția conectat/deconectat prin apăsarea întrerupătorului F ② înainte/înapoi (3 poziții)
  - 0 = oprit
  - 1 = viteză scăzută
  - 2 = viteză maximă
  - selectați poziția 1 pentru șlefuire de precizie (când lucrați cu vârful delta G sau accesoriul de șlefuire special H, J sau K)
  - selectați poziția 2 pentru șlefuire rapidă
  - ! înainte ca suprafața de șlefuire să atingă piesa de prelucrat, va trebui să porniți instrumentul**
  - ! înainte de oprirea sculei, trebuie să o ridicați de pe piesa de prelucrat**
- Montarea accesoriilor speciale de șlefuire (nu este inclus în dotarea standard) ⑦
  - montați placa de bază C (asemănător cu montarea plăcilor de șlefuire)
  - montați accesoriul H, J sau K pe placa de bază C și fixați-l prin rotirea butonului L în sens orar
  - așezați coala abrazivă VELCRO corespunzătoare pe accesoriul de șlefuire
  - îndepărtați sau schimbați poziția accesoriilor prin întoarcerea butonului L în sens antiorar
  - 5 poziții de șlefuire
- Aspirarea a prafului ⑧
  - goliți regulat casetă pentru praf M pentru realizarea unui randament optimal de aspirare a prafului în cazul folosirii unui aspirator de praf
  - scoateți casetă pentru praf M apăsând butonul N la stânga și menținându-l în acea poziție în timp ce trageți casetă pentru praf înapoi
  - conectați aspiratorul la extensia P
  - ! nu folosiți casetă pentru praf/aspiratorul când slefuiți metale**
- Mănuirea și dirijarea sculei ⑨
  - dirijați instrumentul paralel cu suprafața de prelucrat
  - ! nu aplicați presiune prea mare asupra instrumentului; lăsați ca suprafața de șlefuire să lucreze pentru dumneavoastră**
  - nu înclinați instrumentul, pentru a evita semne nedorite de șlefuire
  - ! în timp ce lucrați, țineți întotdeauna scula de zonă (zonele) de prindere colorate gri**
  - mențineți fantele de ventilație Q ② neacoperite

## SFATURILE PENTRU UTILIZARE

- Folosiți talpa prelungitoare pentru lamele împreună cu limba de șlefuit în cazul suprafețelor cu multe muchii, înguste sau greu accesibile ⑩
- Folosiți talpa orientată cu vârful în direcția de înaintare în cazul prelucrării suprafețelor mari ⑪
- Pentru șlefuirea pieselor curbate cât și pentru șlefuirea cu performanțe ridicate utilizați unealta în combinație cu platoul de șlefuire A ⑫
- Folosiți scula cu accesoriile speciale de șlefuit pentru lucrurile greu accesibile ⑬
- Accesoriul flexibil de șlefuit este destinat pentru
  - rotunjirea suprafețelor cu muchii ⑬a
  - toate suprafețele rotunjite cu un diametru maxim de 10 cm ⑬b

- Dacă vârful delta G este uzată sau deteriorată pe partea de sus, o îndepărtați, crescând durata de utilizare la dublu, dacă o rotiți cu 120° și o amplasați pe locul inițial (se aplică și la hârție de șlefuit delta) ⑭
- Nu folosiți niciodată aceeași benzi de șlefuit pentru lemn și metal
- Granulația recomandată a foilor de șlefuire:
 

aspră	- pentru înlăturarea vopselei; pentru șlefuirea lemnului extrem de brut
medie	- pentru șlefuirea lemnului brut sau neted
fin	- pentru finisarea lemnului; pentru finisarea lemnului neprelucrat; pentru finisarea suprafețelor cu vopsea veche
- Utilizați diferite granulații când suprafața de prelucrat este brută:
  - începeți șlefuirea cu o granulație aspră sau medie
  - finisați cu o granulație fină
- A se vedea alte recomandări la [www.skil.com](http://www.skil.com)

## ÎNTREȚINERE / SERVICE

- Această sculă nu este destinată utilizării profesionale
- Păstrați aparatul și cablul curat (mai ales fantele de ventilație Q ②)
  - înlăturați cu o perie praful rămas de la șlefuire
  - ! deconectați de la priză înainte de a curăța**
- Dacă în ciuda procedurilor de fabricație și control riguroase scula are totuși o pană, repararea acesteia se va face numai la un atelier de asistență service autorizat pentru scule electrice SKIL
  - trimiteți scula **în totalitatea lui** cu bonul de cumpărare la distribuitorul sau la centrul de service SKIL cel mai apropiat (adrese și diagrame de service se găsesc la [www.skil.com](http://www.skil.com))

## MEDIUL

- **Nu aruncați sculele electrice, accesoriile sau ambalajele direct la pubelele de gunoi** (numai pentru țările din Comunitatea Europeană)
  - Directiva Europeană 2002/96/EC face referire la modul de aruncare a echipamentelor electrice și electronice și modul de aplicare a normelor în conformitate cu legislația națională; sculele electrice în momentul în care au atins un grad avansat de uzură și trebuie aruncate, ele trebuie colectate separat și reciclate într-un mod ce respectă normele de protecție a mediului inconjurător
  - simbolul ⑮ vă va reaminti acest lucru

## DECLARAȚIE DE CONFORMITATE CE

- Declaram pe proprie răspundere că acest produs este conform cu următoarele standarde sau documente standardizate: EN 60745, EN 61000, EN 55014, în conformitate cu regulile 2004/108/CE, 2006/42/CE, 2011/65/UE

- **Документація техніка Іа:** SKIL Europe BV (PT-SEU/ENG1), 4825 BD Breda, NL

Marijn van der Hoofden      Olaf Dijkgraaf  
Operations & Engineering      Approvals Manager

SKIL Europe BV, 4825 BD Breda, NL

19.08.2013

## ZGOMOT/VIBRAȚII

- Мăсурат в конформитате сu EN 60745 нивелу де presiune а sunetului generat de acest instrument este de 75 dB(A) iar нивелу де putere а sunetului 86 dB(A) (abaterea standard: 3 dB), iar нивелу vibraȚiilor 10,7 m/s<sup>2</sup> (metoda мінă-браȚ; incertitudine K = 1,5 m/s<sup>2</sup>)
- Нивелу emisiilor де vibraȚii а fost мăсурат в конформитате сu un test standardizat precizat в EN 60745; poate fi folosit pentru а compara о sculă сu alta și ca evaluare preliminară а expunerii la vibraȚii atunci cănd folosiȚi scula pentru aplicaȚiile menȚionate
  - utilizarea sculei pentru aplicaȚii diferite sau сu accesorii diferite și prost втреȚинуте poate crește semnificativ нивелу де expunere
  - моменте в care scula este оprită sau căнд funcționează dar nu execută nicio lucrare, pot reduce semnificativ нивелу де expunere

**! protejaȚi-vă вmpotriva efectelor vibraȚiilor prin втреȚинerea sculei și а accesoriiilor sale, păstrăнд мăиниле calde și organizăнд procesele де lucru**

BG

**Мулти-шлайф 7220**

## УВОД

- Уредът се използва за сухо шлифоване и полиране на дърво, боядисани повърхности, пластмаса и запълващ материал
- Този инструмент не е предназначен за професионална употреба
- Прочетете и пазете това ръководство за работа ③

## ТЕХНИЧЕСКИ ПАРАМЕТРИ ①

## ЕЛЕМЕНТИ НА ИНСТРУМЕНТА ②

- A Подложки за мулти шлифоване
- B Подложки за шлифоване по случайни орбити
- C Основа плоча за шлифовъчни приставки\*
- D Винта на подложката
- E Шестостенен ключ
- F Двускоростен превключвател
- G Делтовиден връх
- H Предпазна приставка\*
- J Гъвкава шлифовъчна приставка\*
- K Пръстовидна приставка\*
- L Копче за монтиране на шлифовъчни приставки\*
- M Колектор за прах
- N Бутон за демантиране на колектор за прах

- P Удължение за прахосмукачка
- Q Вентиляционните отвори

\* НЕ Е ВКЛЮЧЕНА СТАНДАРТНО

## БЕЗОПАСНОСТ

### ОБЩИ УКАЗАНИЯ ЗА БЕЗОПАСНА РАБОТА

**⚠ ВНИМАНИЕ!** Прочетете внимателно всички указания. Неспазването на приведените по долу указания може да доведе до токов удар, пожар и/или тежки травми. **Съхранявайте тези указания на сигурно място.** Използваният по-долу термин "електроинструмент" се отнася до захранвани от електрическата мрежа електроинструменти (със захранващ кабел) и до захранвани от акумулаторна батерия електроинструменти (без захранващ кабел).

### 1) БЕЗОПАСНОСТ НА РАБОТНОТО МЯСТО

- a) **Поддържайте работното си място чисто и подредено.** Безпорядъкът или недостатъчното осветление могат да спомогнат за възникването на трудова злополука.
- b) **Не работете с електроинструмента в среда с повишена опасност от възникване на експлозия, в близост до леснозапалими течности, газове или прахообразни материали.** По време на работа в електроинструментите се отделят искри, които могат да възпламенят прахообразни материали или пари.
- c) **Дръжте деца и странични лица на безопасно разстояние, докато работите с електроинструмента.** Ако вниманието Ви бъде отклонено, може да загубите контрола над електроинструмента.

### 2) БЕЗОПАСНОСТ ПРИ РАБОТА С ЕЛЕКТРИЧЕСКИ ТОН

- a) **Щепселът на електроинструмента трябва да е подходящ за ползвания контакт. В никакъв случай не се допуска изменение на конструкцията на щепсела. Когато работите със занулени електроуреди, не използвайте адаптери за щепсела.** Ползването на оригинални щепсели и контакти намалява риска от възникване на токов удар.
- b) **Избягвайте допира на тялото Ви до заземен тел, напр. тръби, отоплителни уреди, печи и хладилници.** Когато тялото Ви е заземено, рискът от възникване на токов удар е по-голям.
- c) **Предпазвайте електроинструмента си от дъжд и влага.** Проникването на вода в електроинструмента повишава опасността от токов удар.
- d) **Не използвайте захранващия кабел за цели, за които той не е предвиден, напр. за да носите електроинструмента за кабела или да извадите щепсела от контакта. Предпазвайте кабела от нагряване, омасляване, допир до остри ръбове или до подвижни звена на машини.** Повредени или усукани кабели увеличават риска от възникване на токов удар.
- e) **Когато работите с електроинструмент навън, използвайте само удължителни кабели, предназначени за работа на открито.**

- Използването на удължител, предназначен за работа на открито, намалява риска от възникване на токов удар.
- f) **Ако се налага използването на електроинструмента във влажна среда, използвайте предпазен прекъсвач за утечни токове.** Използването на предпазен прекъсвач за утечни токове намалява опасността от възникване на токов удар.
- 3) **БЕЗОПАСЕН НАЧИН НА РАБОТА**
- a) **Бъдете концентрирани, следете внимателно действията си и постъпвайте предпазливо и разумно. Не използвайте електроинструмента, когато сте уморени или под влиянието на наркотични вещества, алкохол или упойващи лекарства.** Един миг разсеяност при работа с електроинструмент може да има за следствие изключително тежки наранявания.
- b) **Работете с предпазващо работно облекло и винаги с предпазни очила.** Носенето на подходящи за ползвания електроинструмент и извършваната дейност лични предпазни средства, като дихателна маска, здрави плътнотзатворени обувки със стабилен грайфер, защитна каска или шумозаглушители (антифони), намалява риска от възникване на трудова злополука.
- c) **Избягвайте опасността от включване на електроинструмента по невнимание. Преди да включите щепсела в захранващата мрежа или да поставите акумулаторната батерия, се уверявайте, че пусковият прекъсвач е в положение изключено.** Ако, когато носите електроинструмента, държите пръста си върху пусковия прекъсвач, или ако подавате захранващо напрежение на електроинструмента, когато е включен, съществува опасност от възникване на трудова злополука.
- d) **Преди да включите електроинструмента, се уверявайте, че сте отстранили от него всички помощни инструменти и гаечни ключове.** Помощен инструмент, забравен на въртящо се звено, може да причини травми.
- e) **Не надценявайте възможностите си. Работете в стабилно положение на тялото и във всеки момент поддържайте равновесие.** Така ще можете да контролирате електроинструмента по-добре и по-безопасно, ако възникне неочаквана ситуация.
- f) **Работете с подходящо облекло. Не работете с широки дрехи или украшения. Дръжте косата си, дрехите и ръкавици на безопасно разстояние от въртящи се звена на електроинструментите.** Широките дрехи, украшенията, дългите коси могат да бъдат захванати и увлечени от въртящи се звена.
- g) **Ако е възможно използването на външна аспирационна система, се уверявайте, че тя е включена и функционира изправно.** Използването на аспирационна система намалява рисковете, дължащи се на отделящата се при работа прах.
- 4) **ВНИМАТЕЛНО ОТНОШЕНИЕ НЪМ ЕЛЕКТРОИНСТРУМЕНТИ**
- a) **Не претоварвайте електроинструмента. Използвайте електроинструментите само съобразно тяхното предназначение.** Ще работите по-добре и по-безопасно, когато използвате подходящия електроинструмент в зададения от производителя диапазон на натоварване.
- b) **Не използвайте електроинструмент, чиито пусков прекъсвач е повреден.** Електроинструмент, който не може да бъде изключван и включван по предвидения от производителя начин, е опасен и трябва да бъде демонтиран.
- c) **Преди да промените настройките на електроинструмента, да замените работни инструменти и допълнителни приспособления, канто и когато продължително време няма да използвате електроинструмента, изключвайте щепсела от захранващата мрежа и/или изваждайте акумулаторната батерия.** Тази мярка премахва опасността от задействане на електроинструмента по невнимание.
- d) **Съхранявайте електроинструментите на места, където не могат да бъдат достигнати от деца. Не допускате те да бъдат използвани от лица, които не са запознати с начина на работа с тях и не са прочели тези инструкции.** Когато са в ръцете на неопитни потребители, електроинструментите могат да бъдат изключително опасни.
- e) **Поддържайте електроинструментите си грижливо. Проверявайте дали подвижните звена функционират безупорно, дали не заклинват, дали има счупени или повредени детайли, които нарушават или изменят функциите на електроинструмента. Преди да използвате електроинструмента, се погрижете повредените детайли да бъдат ремонтирани.** Много от трудовите злополуки се дължат на недобре поддържани електроинструменти и уреди.
- f) **Поддържайте режещите инструменти винаги добре заточени и чисти.** Добре поддържаните режещи инструменти с остри ръбове оказват по-малко съпротивление и се водят по-леко.
- g) **Използвайте електроинструментите, допълнителните приспособления, работните инструменти и т.н., съобразно инструкциите на производителя. С дейности и процедури, евентуално предписани от различни нормативни документи.** Използването на електроинструменти за различни от предвидените от производителя приложения повишава опасността от възникване на трудова злополука.
- 5) **ПОДДЪРЖАНЕ**
- a) **Допускате ремонтът на електроинструментите Ви да се извършва само от квалифицирани специалисти и само с използването на оригинални резервни части.** По този начин се гарантира съхраняване на безопасността на електроинструмента.



## УКАЗАНИЯ ЗА БЕЗОПАСНА РАБОТА ЗА ШЛИФОВЪЧНА МАШИНИ

- Избягвайте повреди, които могат да бъдат причинени от винтове, гвоздеи и други метални елементи в обработвания детайл; отстранете ги преди да започнете работа
- Винаги отвеждайте захранващият кабел далеч от движещите се звена на електроинструмента; прехвърлете кабела отзад, далеч от електроинструмента
- **Обезопасете работния материал** (материал, затегнат в затягащ инструмент или в менгеме е по-устойчив, отколкото ако се държи в ръка)
- Преди да приберете инструмента, изключете мотора и се уверете, че всички движещи се части са преустановили движението
- Използвайте напълно развити и обезопасени разклонители с капацитет 16 А
- В случай на електрическа или механична неизправност, изключете незабавно апарата и прекъснете контакта с електрическата мрежа
- SKIL може да осигури безаварийна работа на електроинструмента само ако се използват оригинални допълнителни приспособления
- Машината не трябва да се използва от лица под 16 години
- При работа нивото на шума може да надвиши 85 dB(A); носете анттифони
- Ако кабелът се повреди или среже по време на работа, не го докосвайте, веднага изключете щепсела, никога не използвайте инструмента с повреден кабел
- Не използвайте инструмента, когато е повреден шнурът; замаяната му следва да се извърши от квалифицирано лице
- Преди включване на инструмента в контакта се уверете, че мрежовото напрежение отговаря на напрежението, обозначено на фирмената табелка на инструмента (инструменти с номинално напрежение 230V или 240V могат да бъдат включени и към захранване с напрежение 220V)
- Уредът не е подходящ за мокро шлифоване
- **Не обработвайте азбестосъдържащ материал** (азбестът е канцерогенен)
- Прахът от някои материали, като например съдържаща олово боя, някои видове дървесина, минерали и метали може да бъде вреден (контакт или вдихване на такъв прах могат да причинят алергични реакции и/или респираторни заболявания на оператора или стоящите наблизо лица); **използвайте противопрахова маска и работете с аспиращо прахта устройство, когато такова може да бъде свързано**
- Определени видове прах са класифицирани като карциногенни (като прах от дъб и бук) особено когато са комбинирани с добавки за подобряване на състоянието на дървесината; **използвайте противопрахова маска и работете с аспиращо прахта устройство, когато такова може да бъде свързано**
- Следвайте дефинираните по БДС изисквания относно запаршеността за материалите, които желаете да обработвате
- При шлифоване на метал се образуват искри; не използвайте колектор за прах/прахосмукачката и

държете други лица и възпламеняващ се материал извън обсега на действие

- Не докосвайте шлифовъчния лист
- Не използвайте износени, разкъсани или силно замърсени шлифовъчни листове
- Носете предпазни ръкавици, очила за безопасност, прилепащо по тялото облекло и вземете предпазни мерки за косата си (при дълга коса)
- **Преди извършването на кивато и да било настройка или смяна на принадлежност винаги изваждайте щепсела от контакта на електрозахранването**

## УПОТРЕБА

- Подложки
  - никога не ползвайте инструмента без подложка А или В, или основа плоча С
  - използвайте правилната подложка за съответната операция (виж Препоръка за приложение)
- **! сменяйте незабавно повредените подложки**
- Смяна на подложки ④
  - отстранете шлифовъчния лист от ВЕЛКРО
  - свалете винта на подложката D с шестограден ключ E
  - монтирайте подложката А или В както е показано
  - ако е необходимо, преди това почистете подложката
  - затегнете винта на подложката D с шестограден ключ E
- **! държете здраво подложката, докато развивате/затягате винта на подложката D**
- **! изключете устройството от контакта преди демониране/монтиране на подложките**
- **! винтът на подложката D се загрява в процеса на използване; не го докосвайте, докато не изстине напълно**
- Поставяне на шлифовъчния лист ⑤
  - **! изключете щепсела**
  - монтирайте шлифовъчния лист от ВЕЛКРО, както е показано
  - **! прахоизсмукването изисква използването на перфорирани шлифовъчни листове**
  - **! перфорацията на шлифовъчния лист трябва да съвпадне с перфорацията в шлифовъчната основа**
  - **! сменяйте своевременно износените шлифовъчни листове**
  - **! използвайте апарата с цялата шлифовъчна повърхност винаги напълно покрита с шлифовъчен лист**
- Двускоростен превключвател ⑥
  - включвайте/изключвайте апарата като придвижвате ключ F ② съответно напред/назад (3 позиции)
  - 0 = изключване
  - 1 = ниска скорост
  - 2 = висока скорост
  - изберете позиция 1 за прецизно шлифоване (когато работите с делтовиден връх G или специални шлифовъчни приставки H, J или K)
  - изберете позиция 2 за бързо шлифоване
  - **! включете апарата преди да докосне работната повърхност**

- ! **преди да изключите инструмента, трябва да я вдигнете от работната повърхност**
  - Монтиране на специални шлифовъчни приставки **(не е стандартен аксесоар)** ⑦
    - монтирайте опорна плоча С (подобно на монтирането на подложки)
    - монтирайте приставка Н, J или К на опорната плоча С и я затегнете, като завъртите копчето L по посока на часовниковата стрелка
    - монтирайте съответния шлифовъчен лист от ВЕЛКРО към шлифовъчната приставка
    - свалете приставките или сменете тяхната позиция, като завъртите копчето L обратно на часовниковата стрелка
    - 5 положения на шлифване
  - Изсмукване на праха ⑧
    - изпразвайте колектор за прах М редовно за оптимален резултат при прахоизсмукването
- При използване на прахосмукачка
- свалете колектор за прах М като натиснете бутон А наляво и го задържите в тази позиция, докато издърпвате колектор за прах назад
  - включете прахосмукачката към щуцера Р
- ! **не използвайте колектор за прах/прахосмукачка при шлифване на метал**
- Държане и насочване на инструмента ⑨
    - движете апарата успоредно на работната повърхност
- ! **не упражнявайте особен натиск върху апарата; оставете шлифовъчната повърхност сама да върши работа**
- не повдигайте апарата за да предотвратите нежелателни следи по работната повърхност
- ! **по време на работа, винаги дръжте уреда за оцветената(ите) в сиво зона(и) за хващане**
- оставете вентилационните отвори Q ② непокрити

## УКАЗАНИЯ ЗА РАБОТА

- Използвайте инструмента с делта-приставката за работа в ъгли, тесни и трудно достъпни места ⑩
- Използвайте инструмента с плоска приставка за работа на големи и плоски повърхнини ⑪
- За шлифване на заоблени детайли, както и за шлифване с висока производителност, използвайте инструмента в комбинация с подложка А ②
- Използвайте инструмента със специалните приставки за шлифване за труднодостъпни места ⑫
- Гъвкавата шлифовъчна приставка е предназначена за
  - повърхности със заоблени ръбове ⑬а
  - изцяло заоблени повърхности с максимален диаметър 10 см ⑬б
- В случай, че делтовиден връх G се износи или повреди на върха, можете да отстраните и като я завъртите под ъгъл от 120° и я поставите обратно (приложимо и при триъълния) ⑭
- Не използвайте никога един и същи шлифовъчен лист за дърво и метал

- Препоръчва се шлифовъчна хартия със следната зърнистост:
 

едра	- за отстраняване на боя; за шлифване на много грубо дърво
средна	- за шлифване на грубо и гладко дърво
фина	- за полиране на дърво; за окончателно изглаждане на голо дърво; за полиране на повърхности със стара боя
- Използвайте при грапава повърхност различна зърнистост на шлифовъчната хартия
  - започнете с едра и средна зърнистост
  - завършете политурата с фина зърнистост
- За повече полезни указания вж. [www.skil.com](http://www.skil.com)

## ПОДДРЪЖКА / СЕРВИЗ

- Този инструмент не е предназначен за професионална употреба
- Поддържайте винаги електроинструмента и захранващия кабел чисти (особено вентилационните отвори Q ②)
  - почиствайте полепил се срутков прах с четка
- ! **преди почистване изключете щепсела**
- Ако въпреки прецизното производство и внимателно изпитване възникне повреда, инструмента да се занесе за ремонт в оторизиран сервиз за електроинструменти на SKIL
  - занесете инструмента в неразглобен вид заедно с доказателство за покупката му в търговския обект, откъдето сте го закупили, или в най-близкия сервиз на SKIL (адресите, както и схемата за сервизно обслужване на електроинструмента, можете да намерите на адрес [www.skil.com](http://www.skil.com))

## ОПАЗВАНЕ НА ОКОЛНАТА СРЕДА

- **Не изхвърляйте електроуредите, приспособленията и опаковките заедно с битови отпадъци** (само за страни от ЕС)
  - съобразно Директивата на ЕС 2002/96/EG относно износени електрически и електронни уреди и отразяването ѝ в националното законодателство износените електроуреди следва да се събират отделно и да се предават за рециклиране според изискванията за опазване на околната среда
  - за това указва символът ⑮ тогава когато трябва да бъдат унищожени

## ДЕКЛАРАЦИЯ ЗА СЪОТВЕТСТВИЕ

- Декларираме на изцяло наша отговорност, че това изделие е съобразено със следните стандарти или стандартизирани документи: EN 60745, EN 61000, EN 55014, в съответствие с нормативната уредба на 2004/108/EG, 2006/42/EG, 2011/65/EC

- **Подробни технически описания при:** SKIL Europe BV (PT-SEU/ENG1), 4825 BD Breda, NL

Marijn van der Hoofden      Olaf Dijkgraaf  
Operations & Engineering      Approvals Manager




SKIL Europe BV, 4825 BD Breda, NL

19.08.2013

## ШУМ/ВИБРАЦИИ

- Измерено в съответствие с EN 60745 нивото на звуково налягане на този инструмент е 75 dB(A) а нивото на звукова мощност е 86 dB(A) (стандартно отклонение: 3 dB), а вибрациите са 10,7 м/с<sup>2</sup> (метод ръка-рамо; неопределеност K = 1,5 м/с<sup>2</sup>)
  - Нивото на предадените вибрации е измерено в съответствие със стандартизирания тест, определен в EN 60745; то може да се използва за сравнение на един инструмент с друг и като предварителна оценка на подлагането на вибрации при използването на инструмента за посочените приложения
    - използването на инструмента за различни от тези приложения или с други, или лошо поддържани аксесоари може значително **да повиши** нивото на което сте подложени
    - периодите от време, когато инструмента е изключен или съответно включен, но с него не се работи в момента могат значително **да намалят** нивото на което сте подложени
- ! предпазвайте се от ефектите от вибрациите, като поддържате инструмента и аксесоарите му, пазите ръцете си топли и организирате вашите модели на работа**

SK

## Multifunkční brúska 7220

### ÚVOD

- Tento nástroj je určený na suché brúsenie a úpravu drevených, lakovaných plastických a vyplnených povrchov
- Tento nástroj nie je vhodný pre profesionálne použitie
- Prečítajte a uschovajte tento návod na použitie ③

## TECHNICKÉ ŠPECIFIKÁCIE ①

### ČASTI NÁSTROJA ②

- A Brúsný tanier pre viacnásobné brúsenie
- B Brúsný tanier pre nepravidelné kruhové brúsenie
- C Platňa základne pre príslušenstvo na brúsenie\*
- D Tanier skrutka
- E Imbusový kľuč
- F Dvojriehlostný spínač
- G Trojuholníkový hrot
- H Mriežkové príslušenstvo\*
- J Flexibilné príslušenstvo na brúsenie\*

- K Prstové príslušenstvo\*
- L Koliesko na montáž príslušenstva na brúsenie\*
- M Prachová schránka
- N Gombík na odstránenie prachová schránka
- P Adaptér pre vysávač
- Q Vetracie štrbiny

\* NEOSBAHUJE ŠTANDARD

## BEZPEČNOSŤ

### VŠEOBECNÉ BEZPEČNOSTNÉ POKYNY

**⚠ POZOR! Prečítajte si všetky výstražné upozornenia a bezpečnostné pokyny.** Zanedbanie dodržiavania výstražných upozornení a pokynov uvedených v nasledujúcom texte môže mať za následok zásah elektrickým prúdom, spôsobiť požiar a/alebo ťažké poranenie. **Tieto výstražné upozornenia a bezpečnostné pokyny starostlivo uschovajte na budúce použitie.**

Pojem ručné "elektrické náradie" používaný v nasledujúcom texte sa vzťahuje na ručné elektrické náradie napájané zo siete (s prívodnou šnúrou) a na ručné elektrické náradie napájané akumulátorovou batériou (bez prívodnej šnúry).

### 1) BEZPEČNOSŤ NA PRACOVISKU

- a) **Udržiavajte svoje pracovisko čisté a upratané.** Neporiadok na pracovisku alebo neosvetlené časti pracoviska môžu viesť k úrazom.
- b) **Nepracujte elektrickým náradím v prostredí ohrozenom výbuchom, v ktorom sa nachádzajú horľavé kvapaliny, plyny alebo prach.** Elektrické náradie produkuje iskry, ktoré môžu prach alebo pary zapáliť.
- c) **Deti a iné osoby udržiavajte počas práce od ručného elektrického náradia v dostatočnej vzdialenosti.** V prípade odpútania Vašej pozornosti by ste mohli stratiť kontrolu nad náradím.

### 2) ELEKTRICKÁ BEZPEČNOSŤ

- a) **Zástrčka prívodnej šnúry sa musí hodiť do napájacej zásuvky. Zástrčka sa v žiadnom prípade nesmie meniť. Pri uzemnených spotrebičoch nepoužívajte spolu s nimi žiadne adaptéry.** Nezmenená zástrčka a vhodná zásuvka znižujú riziko zásahu elektrickým prúdom.
- b) **Vyhýbajte sa telesnému kontaktu s povrchovými plochami uzemnených spotrebičov, ako sú elektrické rúry, vyhrievacie telesá, sporáky a chladničky.** Keď je Vaše telo uzemnené, riziko zásahu elektrickým prúdom je vyššie.
- c) **Chráňte ručné elektrické náradie pred dažďom a vlhkom.** Vniknutie vody do ručného elektrického náradia zvyšuje riziko zásahu elektrickým prúdom.
- d) **Nepoužívajte prívodnú šnúru na prenášanie náradia, na jeho vešanie, ani za ňu nevyťahujte zástrčku zo zásuvky. Prívodnú šnúru chráňte pred horúčkovou, olejom, ostrými hranami alebo pohybujúcimi sa časťami náradia.** Poškodené alebo zauzlené šnúry zvyšujú riziko zásahu elektrickým prúdom.
- e) **Ak pracujete s ručným elektrickým náradím vonku, používajte len také predĺžovacie šnúry, ktoré sú schválené pre používanie vo vonkajších**

- priestoroch.** Používanie predlžovacej šnúry určenej do vonkajšieho prostredia znižuje riziko zásahu elektrickým prúdom.
- f) **Ak sa nedá vyhnúť použitiu ručného elektrického náradia vo vlhkom prostredí, použite prerušovač uzemňovacieho obvodu.** Používanie prerušovača uzemňovacieho obvodu znižuje riziko zásahu elektrickým prúdom.
- 3) BEZPEČNOSŤ OSÔB**
- a) **Buďte pozorní, dávajte pozor na to, čo robíte a k práci s elektrickým náradím pristupujte rozumne. Nepoužívajte elektrické náradie, keď ste unavení alebo keď ste pod vplyvom drog, alkoholu alebo liekov.** Chvilka nepozornosti pri používaní náradia môže viesť k vážnym poraneniam.
- b) **Noste osobné ochranné pomôcky, ochranný odev a vždy majte nasadené ochranné okuliare.** Nosenie pracovného odevu a používanie ochranných pomôcok ako ochrannej dýchacej masky, bezpečnostných protišmykových topánok, prilby alebo chrániča sluchu, podľa druhu elektrického náradia, znižuje riziko poranenia.
- c) **Vyhýbajte sa neúmyselnému uvedeniu ručného elektrického náradia do činnosti. Pred zasunutím zástrčky do zásuvky a/alebo pred pripojením akumulátora, pred chytením alebo prenášaním ručného elektrického náradia sa vždy presvedčte sa, či je ručné elektrické náradie vypnuté.** Ak budete mať pri prenášaní ručného elektrického náradia prst na vypínači, alebo ak ručné elektrické náradie pripojíte na elektrickú sieť zapnuté, môže to mať za následok nehodu.
- d) **Skôr ako ručné elektrické náradie zapnete, odstráňte nastavovacie a montážne nástroje.** Nástroj alebo kľúč, ktorý sa nachádza v pohyblivej časti náradia, môže spôsobiť poranenie.
- e) **Neprecaňte sa. Zabezpečte si pevný postoj a neprestajne udržiavajte rovnováhu.** Takto budete môcť ručné elektrické náradie v neočakávaných situáciách lepšie kontrolovať.
- f) **Pri práci noste vhodný pracovný odev. Noste široké odevy a nemajte na sebe šperky. Dbajte na to, aby ste mali vlasy, odev a rukavice v dostatočnej vzdialenosti od pohyblivých sa častí náradia.** Pohybujúce sa časti náradia by mohli zachytiť voľné oblečenie, šperky alebo dlhé vlasy.
- g) **Ak možno namontovať zariadenie na odsávanie alebo zachytávanie prachu, presvedčte sa, či je pripojené a správne používané.** Používanie odsávacieho zariadenia a zariadenia na zachytávanie prachu znižuje riziko ohrozenia zdravia prachom.
- 4) STAROSTLIVÉ ZAOBCHÁDZANIE S ELEKTRICKÝM NÁRADÍM A JEHO POUŽÍVANIE**
- a) **Náradie nepreťažujte. Pre svoju prácu používajte určené elektrické náradie.** Pomocou vhodného ručného elektrického náradia budete môcť v uvedenom rozsahu výkonu pracovať lepšie a bezpečnejšie.
- b) **Nepoužívajte žiadne ručné elektrické náradie, ktoré má pokazený vypínač.** Ručné elektrické náradie, ktoré sa už nedá zapínať alebo vypínať, je nebezpečné a treba ho dať opraviť.
- c) **Skôr ako začnete náradie nastavovať alebo prestavovať, vymieňajte príslušenstvo alebo skôr,**
- ako odložíte náradie, vždy vytiahnite zástrčku sieťovej šnúry zo zásuvky.** Toto bezpečnostné opatrenie zabráňuje neúmyselnému spusteniu náradia.
- d) **Používané ručné elektrické náradie uschovávajú mimo dosahu detí. Nedopusťte, aby ručné elektrické náradie používali osoby, ktoré s nimi nie sú dôkladne oboznámené, alebo ktoré si neprečítali tento Návod na používanie.** Ak ručné elektrické náradie používajú neskúsené osoby, stáva sa nebezpečným nástrojom.
- e) **Elektrické náradie starostlivo ošetrujte. Skontrolujte, či pohyblivé súčiastky náradia bezchybne fungujú a neblokujú a či nie sú zlomené alebo poškodené niektoré súčiastky, ktoré by mohli negatívne ovplyvniť fungovanie ručného elektrického náradia. Pred použitím ručného elektrického náradia dajte poškodené súčiastky opraviť.** Nejednen úraz bol spôsobený zle udržiavaným náradím.
- f) **Používané nástroje udržiavajte ostré a čisté.** Starostlivo ošetrované nástroje s ostrými reznými hranami sa menej často zablokujú a ich vedenie je podstatne ľahšie.
- g) **Používajte ručné elektrické náradie, príslušenstvo, pracovné nástroje a pod. podľa týchto pokynov. Zohľadnite pritom konkrétne pracovné podmienky a činnosť, ktorú máte vykonať.** Používanie ručného elektrického náradia na iné ako určené účely môže viesť k nebezpečným situáciám.
- 5) SERVIS**
- a) **Ručné elektrické náradie zverte do opravy len kvalifikovanému personálu a používajte len originálne náhradné súčiastky.** Tým sa zabezpečí zachovanie bezpečnosti ručného elektrického náradia.

## BEZPEČNOSTNÉ POKYNY PRE BRÚSKY

- Zabráňte poškodeniu náradia skrutkami, klincami a inými kovovými predmetmi v obrobku; zoberte ich dole prv než začnete pracovať
- Elektrickú šnúru udržiajte vždy mimo pohyblivých sa častí nástroja; elektrickú šnúru vždy smerujte dozadu, mimo nástroja
- **Zaisťte obrábaný diel** (obrábaný diel uchytený pomocou upínacích zariadení alebo vo zveráku je oveľa bezpečnejší kým v ruke)
- Skôr než nástroj položíte, presvedčte sa že je motor vypnutý a že sú všetky pohyblivé súčiastky zastavené
- Používajte úplne odmontánu a bezpečnú predlžovaciu šnúru s kapacitou 16 A
- V prípade elektrickej alebo mechanickej poruchy zastavte okamžite nástroj a vytiahnite zástrčku z nástannej zásuvky
- SKIL zabezpečí hladký chod nástroja len ak sa používa pôvodné príslušenstvo
- Tento nástroj by nemali používať osoby mladšie ako 16 rokov
- Hlasitosť zapnutého prístroja môže byť viac aké 85 dB(A); chráňte si uši ochrannými krycimi prostriedkami
- Ak je sieťová šnúra poškodená alebo ak sa prereže počas prevádzky, nedotýkajte sa jej ale ju ihneď odpojte z hlavnej elektrickej siete
- Nikdy nepoužívajte nástroj ak je šnúra poškodená; šnúru musí vymeniť kvalifikovaná osoba

- Vždy skontrolujte či je napájacie napätie rovnaké ako napätie uvedené na štítku nástroja (nástroj s menovitým napätím 230V alebo 240V môžete pripojiť aj do siete s napätím 220V)
- Tento nástroj sa nehodí na brúsenie vlhkého povrchu
- **Neobrábajte materiál, ktorý obsahuje azbest** (azbest sa považuje za rakovinotvorný materiál)
- Prach z materiálu, akým je náter obsahujúci olovo, niektoré druhy dreva, minerály a kovy môže byť škodlivý (styk alebo nadýchanie prachu môže spôsobiť alergické reakcie a/alebo respiračné ochorenia obsluhy a okolostojacích osôb); **používajte ochrannú masku tváre a pracujte so zariadením na odsávanie prachu, ak je takéto zariadenie možné pripojiť**
- Určité druhy prachu sú klasifikované ako karcinogénne (akým dubový a bukový prach), a to hlavne v spojení s prísadami pre úpravu dreva; **používajte ochrannú masku tváre a pracujte so zariadením na odsávanie prachu, ak je takéto zariadenie možné pripojiť**
- Dodržujte stanovené nariadenia pre prácu v prašnom prostredí
- Pri brúsení sa tvoria iskry; nepoužívajte prachová schránka/vysávač a dbajte na to, aby sa v pracovnom priestore nezdržovala iná osoba a nebol horľavý materiál
- Nedotýkajte sa pohyblivej brúsnej plochy
- Nepoužívajte opotrebené, potrhane alebo silne znečistené brúsne plochy
- Používajte ochranné rukavice, ochranné okuliare, priliehavý oblek a v prípade dlhých vlasov aj pokrývku hlavy
- **Pri nastavovaní alebo výmene príslušenstva vždy vytiahnite prírodný kábel zo zásuvky**

## POUŽITIE

- Brúsne taniere
  - nikdy nepoužívajte nástroje bez brúsneho taniera A alebo B, alebo základnej dosky C
  - použite správny brúsny tanier podľa zvoleného použitia nástroja (pozrite Rada na použitie)
- **! okamžite vymeňte poškodený brúsny tanier**
- Výmena brúsnych tanierov ④
  - odmontujte brúsiacu plochu VELCRO
  - skrutku taniera odstráňte D pomocou imbusového kľúča E
  - brúsny tanier A alebo B namontujte podľa obrázku
  - pred osadením nového brúsneho listu očistite brúsny tanier od prachu a iných nečistôt
  - skrutku taniera upevnite D pomocou imbusového kľúča E
- **! brúsny tanier počas uvoľňovania/pripevňovania skrutky pevne držte D**
- **! pred demontážou/montážou odpojte nástroje od zroja elektrického prúdu**
- **! skrutka taniera D sa počas práce veľmi zohreje; nedotýkajte sa jej, až kým nevychladne**
- Namontovanie brúsiacich plôch ⑤
  - **! odpojte zástrčku**
  - podľa obrázku namontujte brúsiacu plochu VELCRO
  - **! používanie odsávania prachu vyžaduje používanie perforovaných brúsnych papierov**
  - **! perforácie na brúsiacich plochách sa majú zhodovať s perforáciami na brúsiacej nohe**

**! na čas vymeňte opotrebené brúsiace plochy**  
**! nástroj vždy použite tak, aby celá brúsna plocha bola pokrytá brúsnym papierom**

- Dvojrychlostný spínač ⑥
  - nástroj vypnite/zapnite stlačením vypínača F ② dopredu/dozadu (3 poloh)
  - 0 = vypínanie
  - 1 = pomalá rýchlosť
  - 2 = vysoká rýchlosť
  - vyberte polohu 1 pre presné brúsenie (pri práci s trojuholníkovým hrotom G alebo špeciálnym príslušenstvom na brúsenie H, J alebo K)
  - vyberte polohu 2 pre rýchle brúsenie
- **! nástroj je treba zapnúť predtým než sa dotkne povrchu brúseného kusu**
- **! pred vypnutím nástroja by ste ho mali zdvihnúť z miesta obrábania**
- Montáž špeciálneho brúsneho príslušenstva (**nedodáva sa štandardne**) ⑦
  - namontujte základnú dosku C (podobne ako montáž brúsnych tanierov)
  - príslušenstvo H, J alebo K namontujte k základnej doske C a pripevnite otáčaním regulátora L v smere hodinových ručičiek
  - namontujte príslušnú brúsiacu plochu VELCRO na brúsiace príslušenstvo
  - príslušenstvo odstráňte alebo zmeníte jeho polohu otáčaním regulátora L proti smeru hodinových ručičiek
  - 5 brúsne polohy
- Odsávanie prachu ⑧
  - vyprázdnite prachová schránka M pravidelne aby sa čo najviac zvýšil výkon sania prachu
- Pri používaní vysávača
  - vyberte prachová schránka M stlačením gombíka N do ľava a podržte ho v tejto polohe pri súčasnom vytiahnutí prachová schránka
  - na adaptér P nasuňte odsávaciu hadicu
- **! nepoužívajte prachová schránka/vysávač keď brúsíte kov**
- Držanie a vedenie nástroja ⑨
  - nástrojom pohybujte rovnoobežne s pracovným kusom
  - **! pri práci netlačte príliš silno na nástroj, nechajte ho voľne pohybovať po brúsenom kuse**
  - nástroj sa nemá klopiť lebo týmto dôjde k tvorbe rýh na brúsenej ploche
  - **! počas práce vždy držte nástroj v oblasti sivého držadla(iel)**
  - vetracie štrbiny Q ② udržiajte nezakryté

## RADU NA POUŽITIE

- Lamelový brúsny nástavec používajte na kraje, tesne a iné ťažko dostupné miesta ⑩
- Ploché brúsny jazyk používajte na rovné úzke plochy ⑪
- Pri brúsení zakrivených obrobkov a pri brúsení s vysokým brúsnym výkonom použite nástroj v kombinácii s brúsnym tanierom A ②
- Nástroj používajte so špeciálnym brúsnym príslušenstvom na miestach s obťažnou dostupnosťou ⑫
- Flexibilné brúsne príslušenstvo je určené na
  - povrchy s kruhovými rohmi ⑬a
  - všetky kruhové povrchy s maximálnym priemerom 10 cm ⑬b

- Keď sa trojuholníkový hrot G opotrebí alebo poškodí na vrchu, je možné zdvojnásobiť jej životnosť tak, že ju odmontujete, otožite o 120° a vložíte ju späť (dá sa to použiť aj na brúsiacom papieri delta) ⑭
- Nikdy sa nesmie používať tá istá brúsna plocha aj na drevo aj na kov
- Doporučené druhy brúsnych pásov:
 

hrubý	- k odstráneniu farby; k brúseniu výjimočne hrubého dreva
stredný	- k brúseniu hrubého alebo hladkého dreva
jemný	- k vyhladeniu dreveného povrchu; konečná úprava hladkého dreveného povrchu; k vyhladeniu starých farbených povrchov
- K úprave hrubých povrchov používajte brúsne pásy s rôznou zrnnou veľkosťou
  - najprv použijte hrubozrnný alebo stredozrnný pás
  - k dokončeniu slúži jemnozrnný pás
- Viac rád nájdete na [www.skil.com](http://www.skil.com)

## ÚDRŽBA / SERVIS

- Tento nástroj nie je vhodný pre profesionálne použitie
- Nástroj a sieťovú šnúru udržiavajte stále čisté (zvlášť vetracie štrbiny Q ②)
  - pomocou kefky odstráňte nalepený brúsny prach
- **! pred čistením odpojte z elektrickej siete**
- Ak by nástroj napriek starostlivej výrobe a kontrole predsa len prestal niekedy fungovať, treba dať opravu vykonať autorizovanej servisnej opravovni elektrického náradia SKIL
  - pošlite nástroj **bez rozmontovania** spolu s dôkazom o kúpe; vášmu dilerovi alebo do najbližšieho servisného strediska SKIL (zoznam adries servisných stredísk a servisný diagram nástroja sú uvedené na [www.skil.com](http://www.skil.com))

## ŽIVOTNÉ PROSTREDIE

- **Elektrické náradie, príslušenstvo a balenia nevyhadzujte do komunálneho odpadu** (len pre štáty EU)
  - podľa európskej smernice 2002/96/EG o nakladaní s použitými elektrickými a elektronickými zariadeniami a zodpovedajúcich ustanovení právnych predpisov jednotlivých krajín sa použité elektrické náradie musí zbierať oddelene od ostatného odpadu a podrobiť ekologicky šetrnej recyklácii
  - pripomenie vám to symbol ⑮, keď ju bude treba likvidovať

## VYHLÁSENIE O ZHODE CE

- Výhradne na našu vlastnú zodpovednosť prehlasujeme, že tento výrobok zodpovedá nasledujúcim normám alebo normovaným dokumentom: EN 60745, EN 61000, EN 55014, v súlade s predpismi 2004/108/EG, 2006/42/EG, 2011/65/EU

- **Súbor technickej dokumentácie sa nachádzajú na adrese:** SKIL Europe BV (PT-SEU/ENG1), 4825 BD Breda, NL

Marijn van der Hoofden  
Operations & Engineering

Olaf Dijkgraaf  
Approvals Manager




SKIL Europe BV, 4825 BD Breda, NL  
19.08.2013

## HLUKU/VIBRÁCIÁCH

- Merané podľa EN 60745 je úroveň akustického tlaku tohto nástroja 75 dB(A) a úroveň akustického výkonu je 86 dB(A) (štandardná odchýlka: 3 dB), a vibrácie sú 10,7 m/s<sup>2</sup> (metóda ruka - paža; nepresnosť K = 1,5 m/s<sup>2</sup>)
- Hladina emisií od vibrácií bola nameraná v súlade s normalizovaným testom uvedeným v norme EN 60745; môže sa používať na vzájomné porovnanie náradí a na predbežné posúdenie vystavenia účinkom vibrácií pri používaní náradia pre uvedené aplikácie
  - používanie náradia na rôzne aplikácie, alebo v spojení s rôznymi alebo nedostatočne udržiavanými doplnkami môže značne **zvýšiť** úroveň vystavenia
  - časové doby počas ktorých je je náradie vypnuté alebo počas ktorých náradie beží ale v skutočnosti nevykonáva prácu môžu značne **znižiť** úroveň vystavenia
- **! chráňte sa pred účinkami vibrácií tak, že budete náradie a jeho príslušenstvo správne udržiavať, tak že nebudete pracovať so studenými rukami a tak že si svoje pracovné postupy správne zorganizujete**

HR

## Vísefunkcionalni uredaj za 7220 brušenje

### UVOD

- Ovaj je uredaj predviđen za suho brušenje i završnu obradu drva, obojanih površina, plastike i punila
- Ovaj uredaj nije namijenjen profesionalnoj upotrebi
- Pažljivo pročitajte i sačuvajte ove upute za rukovanje ③

### TEHNIČKI PODACI ①

### DIJELOVI ALATA ②

- A** Brusni tanjur za višestruko brušenje
- B** Brusni tanjur za rotacijsko-orbitalno brušenje
- C** Osnovna ploča za dodatke za brušenje
- D** Matica tanjura
- E** Šesterokutni ključ
- F** Dvobrzinski prekidač
- G** Trokutni vrh
- H** Dodatak "Louvre"
- J** Fleksibilni dodatak za brušenje
- K** Dodatak za prste
- L** Gumb za ugradnju dodatka za brušenje

- M Dodatak za prašinu
- N Gumb za izvlačenje dodatak za prašinu
- P Nastavak za usisivač
- Q Otvori za strujanje zraka

\* NIJE U STANDARDNOJ OPREMI

## SIGURNOST

### OPĆE UPUTE ZA SIGURAN RAD

**PAŽNJA!** Treba pročitati sve napomene o sigurnosti i upute. Ako se ne bi poštivale napomene o sigurnosti i upute to bi moglo uzrokovati strujni udar, požar i/ili teške ozljede. Sačuvajte sve napomene o sigurnosti i upute za buduću primjenu. U daljnjem tekstu korišten pojam "električni alat" odnosi se na električne alate s priključkom na električnu mrežu (s mrežnim kabelom) i na električne alate s napajanjem iz aku baterije (bez mrežnog kabela).

#### 1) SIGURNOST NA RADNOM MJESTU

- a) **Vaše radno područje održavajte čisto i uredno.**  
Nered ili neosvijetljeno radno područje mogu doći do nezgoda.
- b) **S uređajem ne radite u okolini ugroženoj eksplozijom, u kojoj se nalaze zapaljive tekućine, plinovi ili prašina.** Električni alati proizvode iskre koje mogu zapaliti prašinu ili pare.
- c) **Djecu i ostale osobe držite dalje tijekom korištenja električnog alata.** Ako bi skrenuli pozornost sa posla mogli bi izgubiti kontrolu nad uređajem.

#### 2) ELEKTRIČNA SIGURNOST

- a) **Priključni utikač uređaja treba odgovarati utičnici.** Na utikaču se ni u kojem slučaju ne smiju izvoditi izmjene. Ne koristite adapterske utikače zajedno sa uređajima koji su zaštićeni uzemljenjem. Originalni utikač i odgovarajuće utičnice smanjuju opasnost od električnog udara.
- b) **Izbjegavajte dodir tijela s uzemljenim površinama kao što su cijevi, centralno grijanje, štednjaci i hladnjaci.** Postoji povećana opasnost od električnog udara ako je vaše tijelo uzemljeno.
- c) **Držite uređaj dalje od kiše ili vlage.** Prodiranje vode u električni uređaj povećava opasnost od električnog udara.
- d) **Priključni kabel ne koristite za nošenje, vješanje ili za izvlačenje utikača iz utičnice.** Držite kabel dalje od izvora topline, ulja, oštih rubova ili pomičnih dijelova uređaja. Oštećen ili usukan kabel povećava opasnost od električnog udara.
- e) **Ako s električnim uređajem radite na otvorenom, koristite samo produžni kabel odobren za uporabu na otvorenom.** Primjena produžnog kabela prikladnog za uporabu na otvorenom smanjuje opasnost od električnog udara.
- f) **Ako se ne može izbjeći uporaba električnog alata u vlažnoj okolini, upotrijebite sigurnosna sklopka za propuštanje u zemlju.** Upotrebom sigurnosne sklopke za propuštanje u zemlju smanjuje se opasnost od električnog udara.

#### 3) SIGURNOST LJUDI

- a) **Budite oprezni, pazite što činite i postupajte razumno kod rada s električnim alatom. Ne koristite**

**uređaj ako ste umorni ili pod utjecajem opojnih sredstava, alkohola ili lijekova.** Trenutak nepažnje kod uporabe uređaja može doći do ozbiljnih ozljeda.

- b) **Nosite sredstva osobne zaštite i uvijek zaštitne naočale.** Nošenje sredstava osobne zaštite, kao što je zaštitna maska, sigurnosne cipele koje ne klize, zaštitne kacige ili štitnika za sluh, ovisno od vrste i primjene električnog alata, smanjuje opasnost od nezgoda.
  - c) **Izbjegavajte nehotično puštanje u rad. Prije nego što ćete utaknuti utikač u utičnicu i/ili staviti aku bateriju, provjerite je li električni alat isključen.** Ako kod nošenja električnog alata imate prst na prekidaču ili se uključen uređaj priključi na električno napajanje, to može dovesti do nezgoda.
  - d) **Prije nego što uređaj uključite, uklonite alate za podešavanje ili vijčane ključeve.** Alat ili ključ koji se nalazi u rotirajućem dijelu uređaja može doći do nezgoda.
  - e) **Ne precjenjujte svoje sposobnosti. Zauzmite siguran i stabilan položaj tijela i držite u svakom trenutku ravnotežu.** Na taj način možete uređaj bolje kontrolirati u neočekivanim situacijama.
  - f) **Nosite prikladnu odjeću. Ne nosite široku odjeću ili nakit.** Neka vaša kosa, odjeća i rukavice budu što dalje od pomičnih dijelova. Mlohavu odjeću, nakit ili dugu kosu mogu zahvatiti pomični dijelovi uređaja.
  - g) **Ako se mogu montirati naprave za usisavanje i hvatanje prašine, provjerite da li su iste priključene i da li se pravilno koriste.** Primjena naprave za usisavanje može smanjiti ugroženost od prašine.
- 4) **BRIŽLJIVA UPORABA ELEKTRIČNIH ALATA**
    - a) **Ne preopterećujte uređaj. Koristite za vaše radove za to predviđen električni alat.** S odgovarajućim električnim alatom radit ćete bolje i sigurnije, u navedenom području učinka.
    - b) **Ne koristite električni alat čiji je prekidač neispravan.** Električni alat koji se više ne može uključiti ili isključiti, opasan je i treba se popraviti.
    - c) **Izvučite utikač iz mrežne utičnice i/ili izvadite aku bateriju prije podešavanja uređaja, zamjene pribora ili odlaganja uređaja.** Ovim mjerama opreza spriječit će se nehotično pokretanje uređaja.
    - d) **Nekoristene električne alate spremite izvan dosega djece. Ne dopustite da uređaj koriste osobe koje s njim nisu upoznate ili koje nisu pročitale upute za uporabu.** Električni alati su opasni ako ih koriste neiskusne osobe.
    - e) **Uređaj održavajte s pažnjom. Kontrolirajte da li pomični dijelovi uređaja besprijekorno rade i da nisu zaglavljivi, te da li su dijelovi polomljeni ili tako oštećeni da negativno djeluju na funkciju uređaja. Popravite oštećene dijelove prije uporabe uređaja.** Mnoge nezgode imaju svoj uzrok u loše održavanim uređajima.
    - f) **Rezne alate održavajte oštirim i čistim.** Pažljivo održavani rezni alati s oštirim oštricama neće se zaglaviti i lakši su za vođenje.
    - g) **Koristite električne alate, pribor, radne alate, itd., prema navedenim uputama. Pri tome uzmite u obzir radne uvjete i radove koje se izvode.** Uporaba električnih alata za neke druge primjene različite od predviđenih, može doći do opasnih situacija.

## 5) SERVIS

- a) **Popravak uređaja prepustite samo kvalificiranom stručnom osoblju i samo s originalnim rezervnim dijelovima.** Na taj će se način postići održanje stalne sigurnosti uređaja.

### UPUTE ZA SIGURAN RAD S BRUSILICAMA

- Izbjegavajte oštećenja od vijaka, čavala i sličnih predmeta na vašem izratku; prije početka rada ih izvadite
- Kabel uvijek držati dalje od rotirajućih dijelova uređaja; kabel povlačiti iza uređaja
- Osigurajte izradak** (izradak je sigurnije pričvršćen pomoću stezaljke ili škripa nego da ga držite rukom)
- Čim se odmaknete od alata trebate ga isključiti, a pomoćni se dijelovi trebaju potpuno zaustaviti
- Upotrebljavajte samo neodmotane i zaštićene produžne kabele kapaciteta 16 ampera
- U slučaju neobičajenog ponašanja uređaja ili neobičnih šumova, uređaj treba odmah isključiti i izvući utikač iz mrežne utičnice
- SKIL može osigurati besprijekoran rad uređaja samo ako se koristi originalni pribor
- Uređaj ne bi smjele koristiti osobe mlađe od 16 godina
- Razina buke kod rada može premašiti 85 dB(A); nositi štitnike za sluh
- Ako se tijekom rada priključni kabel ošteti ili odreže, ne dirati priključni kabel, nego odmah izvući mrežni utikač
- Nikad ne upotrebljavajte alat kad su kabel oštećeni; neka iz zamijeni kvalificirana osoba
- Uvijek provjerite je li napon napajanja isti kao onaj naveden na tipskoj pločici uređaja (uređaji označeni s 230V ili 240V mogu raditi i na 220V)
- Ovaj je uređaj nije prikladan za mokro brušenje
- Ne obrađujte materijal koji sadrži azbest** (azbest se smatra kancerogenim)
- Prašina od materijala kao što su boje koje sadrže olovo, neke vrste drveća, minerali i metal mogu biti opasne (dodir s prašinom ili njeno udisanje mogu prouzročiti alergične reakcije i/ili respiratorna oboljenja rukovatelja ili posmatrača); **nosite masku za zaštitu od prašine i radite s uređajem za ekstrakciju prašine ukoliko ga možete priključiti**
- Određene vrste prašine klasificiraju se kao karcinogenske (kao što su prašina hrastovine i bukovine), osobito u sudejstvu s aditivima za kondicioniranje drveta; **nosite masku za zaštitu od prašine i radite s uređajem za ekstrakciju prašine ukoliko ga možete priključiti**
- Nacionalni uvjeti za materijale s kojima želite raditi
- Kod brušenja metala dolazi od iskrenja; ne koristite dodatak za prašinu/usisavač prašine, a ostale osobe kao i zapaljive materijale držite dalje od radnog područja
- Ne dirati brusni papir koji je u pokretu
- Ne koristiti više istrošene, napukle ili jako začepjene brusne papire
- Nosite zaštitne rukavice, zaštitne naočale, tijesno pripijenu odjeću i mrežicu za kosu (ako nosite dugu kosu)
- Prije svih radova održavanja, podešavanja ili izmjene alata i pribora treba izvući utikač iz mrežne utičnice**

## POSLUŽIVANJE

- Brusni tanjur
  - ni u kojem slučaju uređaj ne puštajte u rad bez brusnog tanjura A ili B, ili osnovne ploče C
  - koristiti odgovarajući tanjur za odgovarajući slučaj primjene (vidjeti: Primjena)
- ! oštećeni brusni tanjur odmah zamijeniti**
- Izmjena brusnih tanjura ④
  - ukloniti VELCRO brusni papir
  - skinite vijak na tanjuru D s šesterokutnim ključem E
  - postavite brusni tanjur A ili B kao što je prikazano
  - ukoliko je potrebno, brusni tanjur treba najprije očistiti
  - odvijte vijak na tanjuru D s šesterokutnim ključem E
- ! lagano pridržavajte brusni tanjur kod otpuštanja/stezanja vijka na tanjuru D**
- ! prije uklanjaња brusnog tanjura izvući mrežni utikač**
- ! vijak na tanjuru D se zagrije prilikom uporabe; ne dirajte ga prije nego što se ohladi**
- Pričvršćenje brusnog papira ⑤
  - ! izvući mrežni utikač**
  - VELCRO brusni papir staviti kao na ilustraciji
  - ! za usisavanje prašine trebate perforirani brusni papir**
  - ! rupe u perforiranom papiru trebaju se podudarati s onima za brusnu ploču**
  - ! istrošeni brusni papir treba pravovremeno zamijeniti**
- ! uređaj koristite samo ako je kompletna površina brušenja pokrivena brusnim papirom**
- Dvobrzinski prekidač ⑥
  - uređaj uključiti/isključiti pomicanjem prekidača F ② prema naprijed/natrag (3 brzina)
  - 0 = isključivanje
  - 1 = mali broj okretaja
  - 2 = veliki broj okretaja
  - odaberite položaj 1 za precizno brušenje (pri radu s trokutnim vrhom G ili posebnim dodacima za brušenje H, J ili K)
  - odaberite položaj 2 za brzo brušenje
- ! prije nego što brusna površina trake dodirne izradak, uređaj se treba prvo uključiti**
- ! prije isključivanja alata, isti se treba skinuti sa izratka**
- Ugradnja posebnih dodataka za brušenje (nije dio standardne opreme) ⑦
  - postavite osnovnu ploču C (isti postupak postavljanja kao i brusnog tanjura)
  - stavite nastavak H, J ili K na osnovnu ploču C i učvrstite ga okretanjem gumba L u smjeru kazaljki na satu
  - na dodatak pričvrstite odgovarajući VELCRO brusni papir
  - skinite nastavke ili promijenite njihov položaj okretanjem gumba L suprotno od smjera kazaljki na satu
  - 5 položaja za brušenje
- Usisavanje prašine ⑧
  - redovito prazniti dodatak za prašinu M jamči se optimalno usisavanje prašine
  - Kada se koristi usisavač prašine
  - izvadite dodatak za tanjuru M pritiskom prekidača N



na lijevu stranu i držeći ga u tom položaju, istovremeno unatrag izvlačeći dodatak za prašinu  
- priključiti usisavač na nastavak P

**! dodatak za prašinu/usisavač ne koristiti kod brušenja metala**

- Držanje i vođenje uređaja ⑨
- držite vaš uređaj paralelno s obrađivanom površinom
- ! kod obrade površine ne djelovati prevelikim pritiskom na uređaj**
- ne nagibajte uređaj, na taj će se način izbjeći neželjeni tragovi brušenja
- ! alat kod primjene, držati samo na sivo označenim područjima**
- otvore za strujanje zraka Q ② držite nepokriveno

## SAVJETI ZA PRIMJENU

- Koristiti uređaj s delta-vrhom usmjerenim naprijed, za mjesta s rubovima, uska mjesta i ostala teško dostupna mjesta ⑩
- Koristiti uređaj s plosnatom stranom usmjerenom naprijed, za dugačke hodove na ravnim površinama ⑪
- Za brušenje zakrivljenih predmeta te brušenje s visokom učinkovitošću uklanjanja koristite uređaj u kombinaciji s brusnim tanjurom A ⑫
- Pri radu na teško dostupnim mjestima uređaj upotrebljavajte s posebnim dodacima za brušenje ⑬
- Gibljivi dodatak za brušenje namijenjen je  
- zaobljavanju oštirih površina ⑬a  
- vim oblim površinama čiji promjer ne prelazi 10 cm ⑬b
- Kada se istroši ili ošteti trokutni vrh G na vrhu, njenu trajnost možete dva puta produljiti tako da je uklonite, okrenete za 120° i ponovno stavite (odnosi se i na trokutne brusne listove) ⑭
- Nikada sa istom brusnom trakom ne obrađivati drvo i metal
- Preporučena zrnatost brusnog papira:  
grubi - za skidanje stare boje; za brušenje izuzetno hrapavog drva  
srednji - za brušenje sirovog drva  
fini - za glačanje drva; za brušenje neobrađenog drva; za glačanje površina sa starom bojom
- Ako je obrađivana površina hrapava, koristite različite veličine zrnatosti:  
- u početku brusite s grubom i srednjom zrnatošću  
- završite sa finom zrnatošću
- Dodatne savjete možete naći na adresi [www.skil.com](http://www.skil.com)

## ODRŽAVANJE / SERVISIRANJE

- Ovaj uređaj nije namijenjen profesionalnoj upotrebi
- Održavajte čistim uređaj i kabel (osobito otvore za hlađenje Q ②)  
- nakupljenu prašinu od brušenja očistite četkom
- ! prije čišćenja treba izvući mrežni utikač**
- Ako bi uređaj unatoč brižljivih postupaka izrade i ispitivanja ipak prestao raditi, popravak treba prepustiti ovlaštenom servisu za SKIL električne alate  
- uređaj treba **nerastavljeno** predati, zajedno s računom o kupnji u najbližu SKIL ugovornu servisnu radionicu (popise servisa, kao i oznake rezervnih dijelova uređaja možete naći na adresi [www.skil.com](http://www.skil.com))

## ZAŠTITA OKOLIŠA


- **Električne alate, pribor i ambalažu ne bacajte u kućni otpad** (samo za EU-države)  
- prema Europskoj direktivi 2002/96/EG o staroj električnoj i elektroničkoj opremi i njenoj primjeni u skladu sa nacionalnim zakonom, istrošeni električni alati moraju se sakupljati odvojeno i odvesti u posebne pogone za reciklažu  
- na to podsjeća simbol ⑮ kada se javi potreba za odlaganjem

## CE DEKLARACIJA O SUKLADNOSTI

- Izjavljujemo uz punu odgovornost da je ovaj proizvod usklađen sa slijedećim normama i normativnim dokumentima: EN 60745, EN 61000, EN 55014, prema odredbama smjernica 2004/108/EG, 2006/42/EG, 2011/65/EU
- **Tehnička dokumentacija se može dobiti kod:** SKIL Europe BV (PT-SEU/ENG1), 4825 BD Breda, NL

Marijn van der Hoofden  
Operations & Engineering

Olaf Dijkgraaf  
Approvals Manager

  
SKIL Europe BV, 4825 BD Breda, NL  
19.08.2013

## BUCI/VIBRACIJAMA

- Mjereno prema EN 60745 prag zvučnog tlaka ovog električnog alata iznosi 75 dB(A) a jakost zvuka 86 dB(A) (standardna devijacija: 3 dB), a vibracija 10,7 m/s<sup>2</sup> (postupkom na šaci-ruci; nesigurnost K = 1,5 m/s<sup>2</sup>)
- Razina emitiranja vibracija izmjerena je sukladno normiranom testu danom u EN 60745; ona se može koristiti za usporedbu jedne alatke s drugom, te preliminarnu procjenu izloženosti vibracijama pri uporabi alatke za navedene namjene  
- uporaba ove alatke za druge namjene ili s drugim ili slabo održavanim nastavcima, može u značajnoj mjeri **uvećati** razinu izloženosti  
- vrijeme tokom kojega je alatka isključena, ili je uključena ali se njome ne radi, može značajno **umanjiti** razinu izloženosti
- ! zaštitite se od posljedica vibracija održavanjem alatke i njezinih nastavaka, održavanjem Vaših ruku toplima, te organiziranjem Vaših obrazaca rada**

SRB

Višenamenska brusilica

7220

## UPUTSTVO

- Ovaj alat je namenjen za suvo brušenje i finu obradu drveta, obojenih površina, plastike i materijala za ispunu
- Ovaj alat nije namenjen za profesionalnu upotrebu
- Pažljivo pročitajte i sačuvajte ova uputstva za rukovanje ③

## TEHNIČKI PODACI ①

### ELEMENTI ALATA ②

- A Potporni jastučić za višenamensko brušenje
- B Potporni jastučić za nasumično kružno brušenje
- C Osnovna ploča za dodatke za brušenje\*
- D Šraf jastučića
- E Imbus ključa
- F Prekidač dve brzine
- G Trougaoni vrh
- H Dodatak "Louvre"
- J Fleksibilni dodatak za brušenje\*
- K Dodatak za prst\*
- L Dugme za montiranje dodatka za brušenje\*
- M Dodatak za prašinu
- N Brava za uklanjanje dodatka za prašinu
- P Proružetak za usisivač
- Q Prorezi za hlađenje

\* NIJE UKLJUČENA U STANDARDNU PONUDU

## SIGURNOST

### OPŠTA UPUTSTVA O SIGURNOSTI

**PAŽNJA!** Čitajte sva upozorenja i uputstva. Propusti kod pridržavanja upozorenja i uputstava mogu imati za posledicu električni udar, požar i/ili teške povrede. Čuvajte sva upozorenja i uputstva za budućnost. Pojam upotrebljen u upozorenjima "električni alat" odnosi se na električne alate sa radom na mreži (sa mrežnim kablom) i na električne alate sa radom na akumulator (bez mrežnog kabla).

#### 1) SIGURNOST NA RADNOM MESTU

a) **Držite Vaše područje rada čisto i pospremljeno.**

Nered ili neosvetljena radna područja mogu voditi nesrećama.

b) **Ne radite sa aparatom u okolini ugroženoj od eksplozija u kojoj se nalaze zapaljive tečnosti, gasovi ili prašine.** Električni alati proizvode varnice, koje mogu zapaliti prašinu ili isparenja.

c) **Za vreme korišćenja električnog alata držite podalje decu i druge osobe.** Kod skretanja možete izgubiti kontrolu nad aparatom.

#### 2) ELEKTRIČNA SIGURNOST

a) **Utičak za priključak aparata mora odgovarati utičnoj kutijici. Utičak se nesme nikako menjati.**

**Ne upotrebljavajte adaptere utikača zajedno sa aparatima sa uzemljenom zaštitom.** Ne promenjani utikači i odgovarajuće utičnice smanjuju rizik od električnog udara.

b) **Izbegavajte telesni kontakt sa uzemljenim gornjim površinama, kao što su cevi, grejanja, šporeti i rashladni ormani.** Postoji povećani rizik od električnog udara, ako je Vaše telo uzemljeno.

c) **Držite aparat podalje od kiše ili vlage.** Prodiranje vode u električni aparat povećava rizik od električnog udara.

d) **Ne koristite kabl da bi aparat nosili, obesili ili ga izvlačili iz utičnice. Držite kabl dalje od vreline, ulja, oštih ivica ili pokretnih delova aparata.** Oštećeni ili

zamršeni kablovi povećavaju rizik od električnog udara.

e) **Ako sa nekim električnim alatom radite u prirodi, upotrebljavajte samo produžne kablove koji su dozvoljeni za spoljno područje.** Upotreba produžnog kabla pogodnog za spoljno područje smanjuje rizik od električnog udara.

f) **Ako rad električnog alata ne može da se izbegne u vlažnoj okolini, koristite prekidač strujne zaštite pri kvaru.** Upotreba prekidača strujne zaštite pri kvaru smanjuje rizik od električnog udara.

#### 3) SIGURNOST OSOBA

a) **Budite pažljiviji, pazite na to, šta radite i idite razumno na posao sa električnim alatom. Ne upotrebljavajte aparat, kada ste umorni ili pod uticajem droga, alkohola ili lekova.** Momenat nepažnje kod upotrebe aparata može voditi do ozbiljnih povreda.

b) **Nosite ličnu zaštitnu opremu i uvek zaštitne naočare.** Nošenje lične zaštitne opreme, kao maske za prašinu, sigurnosne cipele koje ne klizaju, zaštitni šlem ili zaštitu za sluh, zavisno od vrste i upotrebe električnog alata, smanjujete rizik od povreda.

c) **Izbegavajte nenamerno puštanje u rad. Uverite se da je električni alat isključen, pre nego što ga priključite na struju i/ili na akumulator, uzmete ga ili nosite.** Ako prilikom nošenja električnog alata držite prst na prekidaču ili aparat uključen priključujete na struju, može ovo voditi nesrećama.

d) **Uklonite alate za podešavanje ili ključeve za zavrtnje, pre nego što uključite aparat.** Alat ili ključ koji se nalazi u delu aparata koji se okreće, može voditi povredama.

e) **Ne precenjujte sebe. Pobrinite se da sigurno stojite i održavajte u svako doba ravnotežu.** Na taj način možete bolje kontrolisati aparat u neočekivanim situacijama.

f) **Nosite pogodno odelo. Ne nosite široko odelo ili nakit. Držite kosu, odelo i rukavice podalje od pokretnih delova.** Opušteno odelo, nakit ili duža kosa mogu biti zahvaćeni od rotirajućih delova.

g) **Ako se mogu montirati uredjaji za usisavanje prašine i uredjaji za hvatanje prašine, uverite se da li su priključeni i ispravno koriste.** Upotreba usisavanja prašine može smanjiti opasnosti od prašine.

#### 4) BRIŽLJIVO OPHODNENJE I KORIŠĆENJE ELEKTRIČNIH ALATA

a) **Ne preopterećujte aparat. Upotrebljavajte za Vaš posao električni alat odredjen za to.** Sa odgovarajućim električnim alatom radićete bolje i sigurnije u navedenom području rada.

b) **Ne upotrebljavajte električni alat, čiji je prekidač u kvaru.** Električni alat koji više ne može da se uključi ili isključi je opasan i mora da se popravi.

c) **Izvučite utikač iz utičnice i/ili uklonite akumulator pre nego što preduzmete podešavanja na aparatu, promenu delova pribora ili ostavite aparat.** Ova mera opreza sprečava nenamernan start aparata.

d) **Čuvajte nekorisćene električne alate izvan domašaja dece. Ne dopustite osobama da koriste aparat, koje ga ne poznaju ili nisu pročitali ova uputstva.** Električni alati su opasni, ako ih koriste neiskusne osobe.

- e) **Održavajte aparat brižljivo. Kontrolišite, da li pokretni delovi aparata funkcionišu besprekorno i ne splepljuju, da li su delovi slomljeni ili tako oštećeni, da je funkcija aparata oštećena. Popravite oštećene delove pre upotrebe aparata.** Mnoge nesreće imaju svoj uzrok u loše održanim električnim alatima.
- f) **Držite alate za sečenja oštre i čiste.** Brižljivo negovani alati za sečenje sa oštrim sečivima manje splepljuju i lakše se vode.
- g) **Upotrebljavajte električne alate, pribor, alate koji se umeću itd. prema ovim uputstvima. Obratite pažnju pritom na uputstva za rad i posao koji treba izvesti.** Upotreba električnih alata za druge od propisanih namena može voditi opasnim situacijama.
- 5) **SERVIS**
- a) **Neka Vam Vaš aparat popravlja samo kvalifikovano stručno osoblje i samo sa originalnim rezervnim delovima.** Na taj način se obezbeđuje da ostane sačuvana sigurnost aparata.

## UPUTSTVA O SIGURNOSTI SA BRUSILICOM

- Izbegavajte oštećenja od šrafova, eksera i drugih predmeta na vašem području rada; uklonite ih pre nego što započnete rad
- Kabl uvek držite podalje od pokretnih delova alata; uvek ga treba držati iza alata
- Obezbedite radni predmet** (radni predmet stegnut pomoću stega ili nečeg sličnog je mnogo stabilniji nego kada se drži rukom)
- Kada završite rad sa alatom, isključite motor i proverite da li su se zaustavili svi pokretni delovi
- Produžni kabl koji koristite mora da bude sasvim odmotan i siguran, sa kapacitetom od 16 A
- U slučaju da dođe do električnog ili mehaničkog kvara, odmah isključite alat i iskopčajte ga iz utičnice
- SKIL može priznati garanciju samo ukoliko je korišćen originalni pribor
- Ovaj alat ne treba da koriste osobe ispod 16 godina
- Buka koju alat proizvodi tokom rada može da premaši 85 dB(A); nosite zaštitu za sluh
- Ako se kabl ošteti ili preseče u toku rada, odmah ga iskopčajte i nemojte ga dodirivati
- Nikada nemojte da koristite alat ako je kabl oštećen; zamenu kabla mora da obavi stručno lice
- Uvek se uverite da je napon struje isti kao i napon naveden na pločici sa nazivom alatu (alati na kojima je naveden napon od 230V ili 240V mogu da rade i na 220V)
- Ovaj alat nije podesan za mokro brušenje
- Ne obradjujte nikakav materijal koji sadrži azbest** (azbest važi kao izazivač raka)
- Prašina od materijala, kao što su boja koja sadrži olovo, neke vrste drveta, minerali i metal, može biti opasna (dodir ili udisanje prašine može prouzrokovati alergijske reakcije i/ili respiratorna oboljenja rukovaoca i lica u blizini); **nosite masku protiv prašine i radite uz uključeni uređaj za ekstrakciju prašine kada radite na mestima gde ju je moguće priključiti**
- Određene vrste prašine su klasifikovane kao kancerogene (kao što su prašina hrastovine i bukovine), posebno u sadejstvu sa aditivima za pripremu drveta; **nosite masku protiv prašine i radite uz uključeni**

## uređaj za ekstrakciju prašine kada radite na mestima gde ju je moguće priključiti

- Prati nacionalne propise vezane za prašinu koja se proizvodi prilikom rada na obrađivanim materijalima
- Kod brušenja metala, dolazi do varničenja; nemojte da koristite dodatak za prašinu/usisivač, a ostale osobe i zapaljivi materijali treba da budu dalje od područja rada
- Nemojte da dirate brusni papir koji je u pokretu
- Nemojte da koristite istrošen, pohaban ili veoma zapušen brusni papir
- Nosite zaštitne rukavice, zaštitne naočari, odeću pripijenu uz telo i zaštitu za kosu (ukoliko je dugačka)
- Obavezno iskopčajte alat iz električne utičnice pre nego što izvršite bilo kakva podešavanja ili zamenu pribora**

## UPUTSTVO ZA KORIŠĆENJE

- Potporni jastučici
  - nikada nemojte koristiti alat bez potpornog jastučica A ili B, ili osnovne ploče C
  - koristite odgovarajući potporni jastučić za određenu primenu (pogledajte odeljak „Saveti za primenu“)
  - ! odmah zamenite oštećene potporne jastučice**
- Promena potpornih jastučica ④
  - uklonite VELCRO brusni papir
  - uklonite šraf jastučica D pomoću imbus ključa E
  - postavite potporno jastuče A ili B kao što je prikazano na ilustraciji
  - ako je potrebno, prvo očistite potporni jastučić
  - pritegnite šraf jastučica D pomoću imbus ključa E
  - ! čvrsto držite potporno jastuče tokom otpuštanja/pritezanja šrafa jastučeta D**
  - ! iskopčajte alat pre uklanjanja/postavljanja potpornih jastučica**
  - ! šraf jastučeta D zagreva se prilikom upotrebe; ne dodirujte ga dok se ne ohladi**
- Postavljanje brusnog papira ⑤
  - ! iskopčajte utikač**
  - postavite VELCRO brusni papir kao što je prikazano na slici
  - ! za usisavanje prašine je potreban perforiran brusni papir**
  - ! perforacija brusnog papira treba da se podudara sa perforacijom brusne ploče**
  - ! pravovremeno zamenite istrošen brusni papir**
  - ! čitava površina brušenja treba da bude prekrivena brusnim papirom kada koristite alat**
- Prekidač dve brzine ⑥
  - alat uključuje/isključuje pomeranjem prekidača F ② napred/nazad (3 pozicija)
  - 0 = isključivanje
  - 1 = mala brzina
  - 2 = visoka brzina
  - izaberite poziciju 1 za precizno brušenje (kada se radi sa delta vrhom G ili specijalnim dodacima za brušenjem H, J ili K)
  - izaberite poziciju 2 za brzo brušenje
  - ! alat treba da uključite pre nego što brusna površina dodirne područje rada**
  - ! uređaj treba da ga podignete sa područja rada pre nego što ga isključite**
- Postavljanje posebnih dodataka za brušenje (**ne dobija se zajedno sa alatom**) ⑦

- montirajte osnovnu ploču C (slično postavljanju potpornih jastučića)
- montirajte dodatak H, J ili K na osnovnu ploču C i pričvrstite ga okretanjem dugmeta L u smeru kazaljke na satu
- na dodatak za brušenje postavite odgovarajući VELCRO brusni papir
- uklonite dodatke ili promenite njihov položaj okretanjem dugmeta L suprotno od kretanja kazaljke na satu
- 5 položaja za brušenje
- Usisavanje prašine ⑧
  - radi optimalnog usisavanja prašine redovno praznite dodatak za prašinu M

Ako želite da koristite usisivač

- skinite dodatak za prašinu M tako što ćete pravicu gurnuti N na levo i zadržati u toj poziciji, povlačeći pritom dodatak za prašinu unazad
- priključite usisivač na produžetak P

**! nemojte da koristite dodatak za prašinu/usisivač kada brusite metal**

- Držanje i upravljanje alata ⑨
  - držite alat paralelno sa površinom koju obrađujete
- ! nemojte mnogo da pritiskate električni alat na površinu za brušenje**
- nemojte da naginjete alat, da biste izbegli pojavljivanje neželjenih tragova brušenja
- ! dok radite, uvek držite alat za mesto(a) koje(a) su označena sivom bojom**
- prerezi za hlađenje Q ② moraju da budu otvoreni

## SAVETI ZA PRIMENU

- Koristite alat sa napred postavljenim delta vrhom za ivice, uska i teško dostupna mesta ⑩
- Koristite alat sa napred postavljenom ravnom stranom za duže poteze na ravnim površinama ⑪
- Za brušenje okruglih radnih delova kao i za brušenje sa uspešnim uklanjanjem koristite alatku u kombinaciji sa potpornim jastučetom A ②
- Za obradu teško dostupnih mesta, alat koristite sa posebnim dodacima za brušenje ⑬
- Savitljiviji dodatak za brušenje je namenjen za
  - zaobljavanje ivica ⑬a
  - sve oble površine sa prečnikom do 10 cm ⑬b
- Kada se delta vrh G istroši ili ošteti na vrhu, možete da udvostručite njeno trajanje tako što ćete je ukloniti, okrenuti za 120° i vratiti (isto važi i za delta brusni list) ⑭
- Nemojte nikada da koristite isti brusni list za drvo i metal
- Preporučena zrnastost brusnog papira:
 

grubi	- za uklanjanje boje; za brušenje veoma hrapavog drveta
srednji	- za brušenje hrapavog ili sirovog drveta
fini	- za glačanje drveta; za finalnu obradu neoobrađenog drveta; za glačanje površina sa starom bojom
- Koristite različit stepen zrnastosti kada je površina za obradu hrapava:
  - brušenje započnite papirom sa grubom ili srednjom zrnastošću
  - završite papirom sa finom zrnastošću
- Za više saveta pogledajte [www.skil.com](http://www.skil.com)

## ODRŽAVANJE / SERVIS

- Ovaj alat nije namenjen za profesionalnu upotrebu
- Alat i kabl uvek održavajte čistim (posebno otvore za hlađenje Q ②)
  - četkicom uklonite nakupljenu prašinu od brušenja
- ! pre čišćenja iskopčajte kabl iz utičnice**
- Ako bi alat i pored brižljivog postupka izrade i kontrole nekada otkazao, popravku mora vršiti neki autorizovani servis za SKIL-električne alate
  - pošaljite **nerastavljeni** alat zajedno sa potvrdom o kupovini vašem nabavljaču ili najbližem SKIL servisu (adrese i oznake rezervnih delova možete naći na [www.skil.com](http://www.skil.com))

## ZAŠTITA OKOLINE

- **Električne alate, pribora i ambalaže ne odlažite u kućne otpatke** (samo za EU-države)
  - prema Evropskoj direktivi 2002/96/EG o staroj električnoj i elektronskoj opremi i njenoj upotrebi u skladu sa nacionalnim pravom, električni alati koji su istrošeni moraju biti sakupljeni odvojeno i dostavljeni pogonu za reciklažu
  - simbol ⑮ će vas podsetiti na to

## DEKLARACIJA O USKLAĐENOSTI CE

- Pod punom odgovornošću izjavljujemo da je ovaj proizvod usklađen sa sledećim standardima ili standardizovanim dokumentima: EN 60745, EN 61000, EN 55014, u skladu sa odredbama smernica 2004/108/EG, 2006/42/EG, 2011/65/EU
- **Tehnička dokumentacija kod:** SKIL Europe BV (PT-SEU/ENG1), 4825 BD Breda, NL

Marijn van der Hoofden  
Operations & Engineering

Olaf Dijkgraaf  
Approvals Manager




SKIL Europe BV, 4825 BD Breda, NL  
19.08.2013

## BUKA/VIBRACIJE

- Mereno u skladu sa EN 60745 nivo pritiska zvuka ovog alata iznosi 75 dB(A) a jačina zvuka 86 dB(A) (normalno odstupanje: 3 dB), a vibracija 10,7 m/s<sup>2</sup> (mereno metodom na šaci-ruci; nesigurnost K = 1,5 m/s<sup>2</sup>)
- Nivo emisije vibracija izmeren je u skladu sa standardizovanim testom datim u EN 60745; on se može koristiti za upoređenje jedne alatke sa drugom, kao i za preliminarnu procenu izloženosti vibracijama pri korišćenju ove alatke za pomenute namene
  - korišćenje alatke u drugačije svrhe ili sa drugačijim ili slabo održavanim nastavcima može značajno **povećati** nivo izloženosti
  - vreme kada je alatka isključena ili kada je uključena, ali se njome ne radi, može značajno **smanjiti** nivo izloženosti
- ! zaštitite se od posledica vibracija održavanjem alatke i njenih nastavaka, održavajući Vaše ruke toplim i organizovanjem Vaših radnih obrazaca**

## UVOD

- To orodje je namenjeno za suho brušenje in končni obdelavi lesa, barvanih površin, plastike in polnil
- Orodje ni namenjeno profesionalni uporabi
- Preberite in shranite navodila za uporabo ③

## LASTNOSTI ①

## DELI ORODJA ②

- A Brusilni krožnik za večvrstno peskanje
- B Brusilni krožnik za naključno orbitalno peskanje
- C Osnovna plošča za priključke za peskanje\*
- D Vijak za krožnik
- E Imbus ključ
- F Dvohitrostno stikalo
- G Trikoten vrh
- H Dodatek Louvre\*
- J Gibljiv brusilni priključek\*
- K Prstni priključek\*
- L Gumb za nameščanje priključkov za peskanje\*
- M Dodatek za prah
- N Gumb za odstranitev dodatka za prah
- P Priključek za sesalnik
- Q Ventilacijske reže

\* NI DEL STANDARNE OPREME

## VARNOST

## SPLOŠNA VARNOSTNA NAVODILA

## ⚠ OPOZORILO! Preberite vsa opozorila in napotila.

Napake zaradi neupoštevanja spodaj navedenih opozoril in napotil lahko povzročijo električni udar, požar in/ali težke telesne poškodbe. **Vsa opozorila in napotila shranite, ker jih boste v prihodnje še potrebovali.** Pojem "električno orodje", ki se pojavlja v nadaljnjem besedilu, se nanaša na električna orodja z električnim pogonom (z električnim kablom) in na akumulatorska električna orodja (brez električnega kabla).

## 1) VARNOST NA DELOVNEM MESTU

- a) **Poskrbite, da bo Vaše delovno mesto vedno čisto in urejeno.** Nered ali neosvetljena delovna področja lahko povzročijo nezgode.
- b) **Prosimo, da orodja ne uporabljate v okolju, kjer je nevarnost za eksplozije in v katerem se nahajajo gorljive tekočine, plini in prah.** Električna orodja povzročajo iskenje, zato se gorljivi prah ali pare lahko vnamejo.
- c) **Ne dovolite otrokom in drugim osebam, da bi se medtem ko delate, približali električnemu orodju.** Druge osebe lahko odvrnejo Vašo pozornost drugam in izgubili boste nadzor nad orodje.

## 2) ELEKTRIČNA VARNOST

- a) **Vtič mora ustrezati električni vtičnici in ga pod nobenim pogojem ne smete spreminjati. Uporaba**

**adapterskih vtičev v kombinaciji z ozemljena orodja ni dovoljena.** Originalni oziroma nespremenjeni vtiči in ustrezne vtičnice zmanjšujejo tveganje električnega udara.

- b) **Izogibajte se telesnemu stiku z ozemljenimi površinami, na primer s cevmi, grelci, štedilniki in hladilniki.** Če je ozemljeno tudi vaše telo, obstaja povečano tveganje električnega udara.
- c) **Zavarujte orodje pred dežjem ali vlago.** Vdor vode v električno orodje povečuje tveganje električnega udara.
- d) **Električnega kabla ne uporabljajte za prenašanje ali obešanje orodja in ne vlecite vtič iz vtičnice tako, da vlečete za kabel. Zavarujte kabel pred vročino, oljem, ostrimi robovi in premikajočimi se deli orodja.** Poškodovani ali prepleteni kabli povečujejo tveganje električnega udara.
- e) **Če z električnim orodjem delate na prostem, uporabljajte izključno kabelski podaljšek, ki je atestiran za delo na prostem.** Uporaba kabelskega podaljška, primernega za delo na prostem, zmanjšuje tveganje električnega udara.
- f) **Če je uporaba električnega orodja v vlažnem okolju neizogibna, uporabljajte prekinjevalec električnega tokokroga.** Prekinjevalca električnega tokokroga zmanjšuje tveganje električnega udara.

## 3) OSEBNA VARNOST

- a) **Bodite zbrani in pazite, kaj delate. Dela z električnim orodjem se lotite razumno. Nikoli ne uporabljajte orodja, če ste utrujeni in če ste pod vplivom mamil, alkohola ali zdravil.** En sam trenutek nepazljivosti pri uporabi orodja ima lahko za posledico resne telesne poškodbe.
- b) **Uporabljajte osebna zaščitna sredstva in vedno nosite zaščitna očala.** Uporaba osebnih zaščitnih sredstev, na primer maske proti prahu, nedrsečih zaščitnih čevljev, zaščitne čelade in glušnikov, odvisno od vrste in uporabe električnega orodja, zmanjšuje tveganje telesnih poškodb.
- c) **Izogibajte se nenamernemu zagonu. Pred priključitvijo električnega orodja na električno omrežje in/ali na akumulator in pred dviganjem ali nošenjem se prepričajte, če je električno orodje izklopljeno.** Prenašanje naprave s prstom na stikalo ali priključitev vklopljenega električnega orodja na električno omrežje je lahko vzrok za nezgodo.
- d) **Pred vklopom orodja odstranite z nje nastavitvena orodja ali vijaki ključ.** Orodje ali ključ, ki se nahajata na vrtečem se delu električnega orodja, lahko povzročita nezgodo.
- e) **Ne precenjujte se in poskrbite za varno stojišče in stalno ravnotežje.** Tako boste lahko v nepričakovani situaciji bolje obvladali orodje.
- f) **Nosite primerno obleko, ki naj ne bo preohlapna. Ne nosite nakita. Lasje, oblačilo in rokavice naj se ne približujejo premikajočim se delom orodja.** Premikajoči se deli orodja lahko zgrabijo ohlapno obleko, nakit, ali dolge lasce.
- g) **Če je možno na orodje namestiti priprave za odsesavanje in prestrezanje prahu, pričrajte se, ali so le-te priključene in, če jih pravilno uporabljate.** Uporaba priprave za odsesavanje prahu zmanjšuje zdravstveno ogroženost zaradi prahu.

#### 4) RAVNANJE IN NEGA ROČNEGA ORODJA

- a) **Ne preobremenjujte orodja. Za določeno delo uporabljajte električno orodje, ki je predvideno za opravljanje tega dela.** Z ustreznim električnim orodjem boste delo opravili boljše in varneje, ker je bilo v ta namen tudi konstruirano.
- b) **Električno orodje, ki ima pokvarjeno stikalo, ne uporabljajte.** Električno orodje, ki ga ni možno vklopiti ali izklopiti, je nevarno in ga je potrebno popraviti.
- c) **Pred nastavljanjem naprave, zamenjavo delov pribora ali odlaganjem naprave izvlecite vtičnik iz električne vtičnice in/ali odstranite akumulator.** Ta previdnostni ukrep onemogoča nepredviden zagon orodja.
- d) **Kadar orodja ne uporabljate ga shranjujte izven dosega otrok. Osebam, ki orodja ne poznajo ali niso prebrale teh navodil, orodja ne dovolite uporabljati.** Električna orodja so nevarna, če jih uporabljajo neizkušene osebe.
- e) **Skrbno negujte orodje. Preverite, če premikajoči se deli orodja delujejo brezhibno in če se ne zatikajo, oziroma, če kakšen del orodja ni zlomljen ali poškodovan do te mere, da bi oviral njegovo delovanje. Pred nadaljnjo uporabo je potrebno poškodovani del popraviti.** Vzrok za številne nezgode so ravno slabo vzdrževana električna orodja.
- f) **Rezalna orodja naj bodo ostra in čista.** Skrbno negovana rezalna orodja z ostrimi rezili se manj zatikajo in so bolj vodljiva.
- g) **Električna orodja, pribor, nastavke in podobno uporabljajte v skladu s temi navodili. Pri tem upoštevajte delovne pogoje in vrsto dela, ki ga nameravate opraviti.** Zaradi uporabe električnega orodja v druge, nepredvidene namene, lahko nastanejo nevarne situacije.

#### 5) SERVIS

- a) **Popravilo orodja lahko opravi samo usposobljena strokovna oseba in to izključno s originalnimi nadomestnimi deli.** Le tako bo ohranjena nadaljnja varnost orodja.

#### VARNOSTNA NAVODILA ZA UPORABO BRUSILNIKA

- Izogibajte se poškodb zaradi vijakov, žebeljev ali drugih elementov v obdelovancu; odstranite jih pred začetkom dela
- Kabel naj bo vedno odmaknjen od gibljivih delov stroja; usmerite ga proti zadnjemu delu, stran od stroja
- **Zavarujte obdelovanec** (obdelovanec stisnjen v prižemi ali prirežu je bolj varen kot v roki)
- Ko orodje postavite v stran, izklopite motor in pazite, da se vsi premikajoči se deli orodja popolnoma zaustavijo
- Uporabljajte povsem iztegnjene in varne električne podaljške, z jakostjo 16 amperov
- Če pride do električnih ali mehanskih okvar, takoj izklopite stroj in izvlecite vtičnik iz vtičnice
- SKIL zagotavlja brezhibno delovanje orodja le z uporabo originalnega dodatnega pribora
- Orodja naj ne bi uporabljale osebe mlajše od 16 let
- Med delom lahko nivo hrupa presega 85 dB(A); uporabljajte zaščito proti hrupu
- Če je priključni kabel poškodovan ali se med delom pretрга se ga ne dotikajte, temveč takoj potegnite električni vtičnik iz vtičnice

- Nikoli ne uporabljajte orodja, če je kabel poškodovan; okvaro naj odpravi strokovnjak
- Vedno preverite, če je napetost omrežja enaka napetosti, ki je navedena na tablici orodja (orodje z nazivno napetostjo 230V ali 240V lahko priključite tudi na napetost 220V)
- To orodje ni primerno za uporabo v mokrih okoljih
- **Ne obdelujte materiala, ki vsebuje azbest** (azbest povzroča rakasta obolenja)
- Prah materialov, kot so barve, ki vsebujejo svinec, nekatere vrste lesa, mineralov ali kovin so lahko škodljivi (ob stiku ali vdihavanju lahko prah pri delavcu ali pri drugih prisotnih povzroči alergijsko reakcijo in/ali boleznijo dihal); **nosite masko za prah in pri delu uporabljajte napravo za odsesavanje prahu, kjer je le-to možno priključiti**
- Nekatere vrste prahu so klasificirane kot kancerogene (kot npr. prah hrasta in bukke) še posebno bo sočasni uporabi z dodatki za obdelavo lesa; **nosite masko za prah in pri delu uporabljajte napravo za odsesavanje prahu, kjer je le-to možno priključiti**
- Upoštevajte nacionalne zahteve glede prahu za materiale katere želite obdelovati
- Pri brušenju kovinskih delov se iskri; ne uporabljajte dodatka za prah/sesalnika z delovnega področja odstranite vnetljive materiale in ne dovolite, da se področju dela približujejo druge osebe
- Ne dotikajte se premikajoče se brusnega papirja
- Ne uporabljajte izrabljenih in raztrganih brusnih papirjev, ki so že močno grudasti
- Uporabljajte zaščitne rokavice, zaščitna očala, tesno oprijeta oblačila in zaščitno za lase (velja za dolge lase)
- **Vedno izvlecite električni vtičnik iz vtičnice preden spreminjate nastavitve ali menjate pribor**

#### UPORABA

- Brusni krožnik
  - nikoli ne vklaplajte orodja brez brusilnega krožnika A ali B, ali osnovne plošče C
  - uporabite pravi brusilni krožnik za ustrezno uporabo (glejte Uporabni nasveti)
  - ! **poškodovan brusilni krožnik takoj zamenjajte**
- Zamenjava brusilnih krožnikov (4)
  - odstranite brusni papir VELCRO
  - odstranite vijak D s ključem inbus E
  - namestite brusilni krožnik A ali B, kot je prikazano
  - če je potrebno, najprej očistite brusilni krožnik
  - privijte vijak D s ključem inbus E
  - ! **medtem ko vijak odvijate/privijate, trdno držite brusilni krožnik D**
  - ! **izključite orodje iz vtičnice pred odstranitvijo/namestitvijo brusilnega krožnika**
  - ! **vijak D se med uporabo segreva; ne dotikajte se ga, dokler se ne ohladi**
- Namestitev brusnega papirja (5)
  - ! **izključite vtičnik**
  - namestite brusni papir VELCRO, kot kaže slika
  - ! **za sesanje prahu potrebujete perforiran brusni papir**
  - ! **perforirani deli na brusnem papirju bi se morali ujemati s perforiranimi deli na brusni plošči**
  - ! **pravočasno zamenjajte brusne papirje**
  - ! **vedno uporabljajte orodje tako, da je celotna brusna površina prekrita z brusnim papirjem**

- Dvohitrostno stikalo ⑥
  - vklopite/izklopite orodje, tako da potisnete stikalo F ② naprej/nazaj (3 stopenji)
  - 0 = izklop
  - 1 = majhna hitrost
  - 2 = večja hitrost
  - za natančno peskanje izberite položaj 1 (kadar delate z delta-konico G ali posebnimi priključki za peskanje H, J ali K)
  - za hitro peskanje izberite položaj 2
- ! **orodje bi morali vklopiti, preden se z brusno površino dotaknete predmeta, ki ga obdelujete**
- ! **preden orodje izklopite, bi ga morali odmakniti od predmeta, ki ga obdelujete**
- Vgradnja posebnih brusnih dodatkov (ni vključeno v standardno opremo) ⑦
  - namestite osnovno ploščo C (podobno kot pri nameščanju brusilnih krožnikov)
  - namestite priključek H, J ali K na osnovno ploščo C in ga privijte tako, da gumb zasučete L v smeri urinega kazalca
  - na brusni dodatek namestite ustrezen brusni papir VELCRO
  - odstranite priključke ali spremenite njihov položaj tako, da gumb zasučete L v nasprotni smeri urinega kazalca
  - 5 položaji brušenja
- Odsesavanje prahu ⑧
  - redno praznite dodatka za prah M za najboljše delovanje
- Pri uporabi sesalnika
  - odstranite dodatek za prah M tako da potiskate gumb N v levo in ga držite v tem položaju, obenem pa vlecite dodatek za prah nazaj
  - priključite sesalnik na stranski priključek P
- ! **dodatka za prah/sesalnika ne uporabljajte pri brušenju kovine**
- Držanje in vodenje orodja ⑨
  - orodje naj teče vzporedno z delovno površino
- ! **na brusilnik ne pritiskajte premočno; naj to namesto vas naredi brusna površina**
- da bi se izognili neželenim brusnim madežem, orodja med delom ne nagibajte
- ! **med delom vedno držite orodje za sivo obarvano mesto prijema**
- ventilacijske reže Q ② morajo biti nepokrite

## UPORABNI NASVETI

- Uporabite orodje z delta konico naprej za robove in v ozkih ter težko dostopnih mestih ⑩
- Uporabite orodje z ravno stranjo naprej za daljše potege pri brušenju ali pri ravnih površinah ⑪
- Za peskanje ukrivljenih obdelovancev ter za visoko učinkovito peskanje uporabite orodje skupaj z brusilnim krožnikom A ⑫
- Za obdelavo mest na delovni površini, ki so težko dosegljiva, uporabljajte orodje s posebnimi brusnimi dodatki ⑬
- Gibljiv brusni dodatek je namenjen
  - obljenu ostrih površin ⑬a
  - vsem zaobljenim površinam, katerih premer ni večji od 10 cm ⑬b
- Ko je trikoten vrh G izrabljena ali poškodovana na vrhu, lahko njeno delovno dobo podaljšate dvakrat, tako da jo

odstranite, jo obrnete za 120 stopinj in namestite nazaj (velja tudi za trikoten brusni papir) ⑭

- Nikoli ne uporabljajte istega brusnega papirja za les in kovino
- Priporočljiva zrnatost brusnega papirja:
 

groba	- za odstranjevanje barv; za brušenje izredno hrapavega lesa
srednja	- za brušenje hrapavega ali ravnega lesa
fina	- za gladko brušenje lesa; za končno obdelavo samega lesa; za gladko brušenje površin s staro barvo
- Če je delovna površina hrapava, uporabljajte različno zrnatost brusnega papirja:
  - začnite brusiti z brusnim papirjem grobe ali srednje grobe zrnatosti
  - zaključite z brusnim papirjem fine zrnatosti
- Za več nasvetov glejte pod [www.skil.com](http://www.skil.com)

## VZDRŽEVANJE/SERVISIRANJE

- Orodje ni namenjeno profesionalni uporabi
- Priključni kabel in orodje naj bosta vedno čista (posebej še prezačevalne odprtine Q ②)
  - brusni prah odstranjujte s ščetko
- ! **izvlecite vtičak iz vtičnice pred čiščenjem**
- Če bi kljub skrbnim postopkom izdelave in preizkušanja prišlo do izpada delovanja orodja, naj popravilo opravi servisna delavnica, pooblaščenca za popravila SKILevih električnih orodij
  - pošljite **nerazstavljeno** orodje skupaj s potrdilom o nakupu pri vašemu prodajalcu v najbližjo SKIL servisno delavnico (naslovi, kot tudi spisek rezervnih delov se nahajajo na [www.skil.com](http://www.skil.com))

## OKOLJE

- **Električnega orodja, pribora in embalaže ne odstranjujte s hišnimi odpadki** (samo za države EU)
  - v skladu z Evropsko direktivo 2002/96/EG o odpadni električni in elektronski opremi in z njenim izvajanjem v nacionalni zakonodaji je treba električna orodja ob koncu njihove življenjske dobe ločeno zbirati in jih predati v postopek okolju prijaznega recikliranja
  - ko je potrebno odstranjevanje, naj vas o načinu spomni simbol ⑮

## IZJAVA O SKLADNOSTI CE

- Odgovorno izjavljamo, da je ta izdelek v skladu z naslednjimi standardi ali standardnimi dokumenti: EN 60745, EN 61000, EN 55014, v skladu s predpisi navodil 2004/108/ES, 2006/42/ES, 2011/65/EU
- **Tehnična dokumentacija se nahaja pri:** SKIL Europe BV (PT-SEU/ENG1), 4825 BD Breda, NL

Marijn van der Hoofden  
Operations & Engineering

Olaf Dijkgraaf  
Approvals Manager

SKIL Europe BV, 4825 BD Breda, NL  
19.08.2013

## HRUP/VIBRACIJA

- Izmerjeno v skladu s predpisom EN 60745 je raven zvočnega pritiska za to orodje 75 dB(A) in jakosti zvoka 86 dB(A) (standarden odmik: 3 dB), in vibracija 10,7 m/s<sup>2</sup> (metoda dlan-roka; netočnost K = 1,5 m/s<sup>2</sup>)
- Raven oddajanja vibracij je bila izmerjena v skladu s standardiziranimi testi, navedenimi v EN 60745; uporabiti jo je mogoče za primerjavo različnih orodij med seboj in za predhodno primerjavo izpostavljenosti vibracijam pri uporabi orodja za namene, ki so omenjeni
  - uporaba orodja za drugačne namene ali uporaba skupaj z drugimi, slabo vzdrževanimi nastavki lahko znatno **poveča** raven izpostavljenosti
  - čas, ko je orodje izklopljeno ali ko teče, vendar z njim ne delamo, lahko znatno **zmanjša** raven izpostavljenosti

**! pred posledicami vibracij se zaščitite z vzdrževanjem orodja in pripadajočih nastavkov, ter tako, da so vaše roke tople, vaši delovni vzorci pa organizirani**

EST

## Mitmeotstarbeline lihvmasin 7220

### SISSEJUHATUS

- Tööriist on ette nähtud puudu, värvitud pindade, plastmaterjalist pindade ja pahlitsseguga kaetud pindade kuivilhvimiseks ja pinnaviimistluseks
- Tööriist pole mõeldud professionaalseks kasutamiseks
- Palun lugege käesolevat kasutusjuhend hoolikalt läbi ja hoidke alles ③

## TEHNILISED ANDMED ①

### SEADME OSAD ②

- A Alusketas erinevate pindade lihvimiseks
- B Alusketas igasuguse talla lihvimiseks
- C Alusplaat lihvimistarvikute jaoks\*
- D Kettamutri
- E Kuuskantvõtme
- F Kahe kiirusega lüliti
- G Delta-otsik
- H Aukudega lihvimistarvik\*
- J Paindlik lihvimistarvik\*
- K Sõrmtarvik\*
- L Nupp lihvimistarvikute paigaldamiseks\*
- M Tolmukott
- N Nupp tolmuoti eemaldamiseks
- P Tolmuimeja adapter
- Q Õhutusavad

\* EI KUULU STANDARDKOMPLEKTI

## OHUTUS

### ÜLDISED OHUTUSJUHISED

**⚠ TÄHELEPANU!** Kõik ohutusnõuded ja juhised tuleb läbi lugeda. Ohutusnõuete ja juhiste eiramise tagajärjeks võib olla elektrilöök, tulekahju ja/või rasked vigastused.

## Hoidke kõik ohutusnõuded ja juhised edasiseks

**kasutamiseks hoolikalt alles.** Allpool kasutatud mõiste "elektriline tööriist" käib võrgutoitega (toitejuhtmega) elektriliste tööriistade ja akutoitega (ilma toitejuhtmata) elektriliste tööriistade kohta.

### 1) OHUTUSNÕUDED TÕÕPIIRKONNAS

- a) **Hoidke töökoht puhas ja korras.** Segadus või valgustamata tööpiirkonnad võivad põhjustada õnnetusi.
- b) **Ärge kasutage seadet plahvatusohtlikus keskkonnas, kus leidub tuleohtlikke vedelikke, gaase või tolm.** Elektrilistest tööriistadest lööb sädemeid, mis võivad tolm või aurd süüdata.
- c) **Kui kasutate elektrilist tööriista, hoidke lapsed ja teised isikud töökohast eemal.** Kui Teie tähelepanu kõrvale juhitakse, võib seade Teie kontrolli alt väljuda.

### 2) ELEKTROIHUTUS

- a) **Seadme pistik peab pistikupesaga sobima.** Pistiku kallal ei tohi teha mingeid muudatusi. Ärge kasutage kaitsemaandusega seadmete puhul adapterpistikuid. Muutmata pistikut ja sobivad pistikupesad vähendavad elektrilöögi saamise riski.
  - b) **Vältige kehakontakti maandatud pindadega, nagu torud, radiaatorid, pliidid ja külmikud.** Kui Teie keha on maandatud, on elektrilöögi risk suurem.
  - c) **Hoidke seadet vihma ja niiskuse eest.** Kui elektriseadmesse on sattunud vett, on elektrilöögi saamise risk suurem.
  - d) **Ärge kasutage toitejuhet selleks mitte ettenähtud otstarbel seadme kandmiseks, ülesriputamiseks ega pistiku pistikupesast väljatõmbamiseks.** Hoidke toitejuhet kuumuse, õli, teravate servade ja seadme liikuvate osade eest. Kahjustatud või keerduläänud toitejuhtmed suurendavad elektrilöögi saamise riski.
  - e) **Kui töotate elektrilise tööriistaga vabas õhus, kasutage ainult selliseid pikendusjuhtmeid, mida on lubatud kasutada ka välistingimustes.** Välistingimustes kasutamiseks sobiva pikendusjuhtme kasutamine vähendab elektrilöögi saamise riski.
  - f) **Kui elektrilise tööriista kasutamine niiskes keskkonnas on vältimatu, kasutage maandusega lekkevoolukaitset.** Maandusega lekkevoolukaitse kasutamine vähendab elektrilöögi ohtu.
- ### 3) INIMESTE TURVALISUS
- a) **Olge tähelepanelik, jälgige, mida Te teete, ning toimige elektrilise tööriista töötades mõistlikult.** Ärge kasutage seadet, kui olete väsinud või uimastite, alkoholi või ravimite mõju all. Hetkeline tähelepanematus seadme kasutamisel võib põhjustada tõsiseid vigastusi.
  - b) **Kandke isikukaitsevahendeid ja alati kaitseprille.** Isikukaitsevahendite, nagu tolmu mask, libisemiskindlad turvajalatsid, kaitsekiiver või kuulmiskaitsevahendid, kandmine – sõltuvalt elektrilise tööriista tüübist ja kasutusala – vähendab vigastuste riski.
  - c) **Vältige seadme tahtmatut käivitamist.** Enne pistiku ühendamist pistikupesaga, aku ühendamist seadme külge, seadme ülestõstmist ja kandmist veenduge, et elektriline tööriist on välja lülitatud. Kui hoiate elektrilise tööriista kandmisel sõrme lüliti või ühendate vooluvõrku sisselülitatud seadme, võivad tagajärjeks olla õnnetused.



- d) **Enne seadme sisselülitamist eemaldage selle küljest reguleerimis- ja mutrivõtmed.** Seadme pöörleva osa küljes olev reguleerimis- või mutrivõti võib põhjustada vigastusi.
- e) **Ärge hinnake end üle. Võtke stabiilne tööasend ja hoidke kogu aeg tasakaalu.** Nii saate seadet ootamatutes olukordades paremini kontrollida.
- f) **Kandke sobivat rõivastust. Ärge kandke laiu riideid ega ehteid. Hoidke juuksed, rõivad ja kindad seadme liikuvatest osadest eemal.** Lotendavad riided, ehted või pikad juuksed võivad sattuda seadme liikuvate osade vahele.
- g) **Kui on võimalik paigaldada tolmueemaldus- ja tolmukogumisseadiseid/seadmeid, veenduge, et need oleksid kasutamega ühendatud ja et neid kasutatakse õigesti.** Tolmueemaldusseadise kasutamine vähendab tolmust põhjustatud ohte.
- 4) ELEKTRILISTE TÖÖRIISTADE HOOLIKAS KÄSITSEMINE JA KASUTAMINE**
- a) **Ärge koormake seadet üle. Kasutage töö tegemiseks selleks ettenähtud elektrilist tööriista.** Sobiva elektrilise tööriistaga töötate paremini ja turvalisemalt ettenähtud võimsusvahemikus.
- b) **Ärge kasutage elektrilist tööriista, mille lüüti on rikkis.** Elektriline tööriist, mida ei ole enam võimalik sisse ja välja lülitada, on ohtlik ning seda tuleb remontida.
- c) **Tõmmake pistik pistikupesast välja ja/ või eemaldage seadmest aku enne seadme reguleerimist, tarvikute vahetamist ja seadme ärapanekut.** See ettevaatusabinõu väldib seadme tahtmatud käivitamist.
- d) **Kasutusvälisel ajal hoidke elektrilisi tööriistu lastele kättesaamatult. Ärge laske seadet kasutada isikutel, kes seda ei tunne või pole siintoodud juhiseid lugenud.** Kogenematute kasutajate käes kujutavad elektrilised tööriistad ohtu.
- e) **Hoolitsege seadme eest. Kontrollige, kas seadme liikuvad osad funktsioneerivad korralikult ja ei kiildu kinni, ning ega mõned osad ei ole katki või sel määral kahjustatud, et võiksid mõjutada seadme töökindlust. Laske kahjustatud osad enne seadme kasutamist parandada.** Paljude õnnetuste põhjuseks on halvasti hooldatud elektrilised tööriistad.
- f) **Hoidke lõiketarvikud teravad ja puhtad.** Hoolikalt hoitud, teravate lõikeservadega lõiketarvikud kiilduvad harvemini kinni ja neid on lihtsam juhtida.
- g) **Kasutage elektrilist tööriista, lisavarustust, tarvikuid jne vastavalt siintoodud juhistele. Arvestage seejuures töötingimuste ja teostatava töö iseloomuga.** Elektriliste tööriistade kasutamine mitte ettenähtud otstarbel võib põhjustada ohtlikke olukordi.
- 5) TEENINDUS**
- a) **Laske seadet parandada ainult kvalifitseeritud spetsialistidel ja ainult originaalvaruosadega.** Nii tagate seadme püsimise turvalisena.

## OHUTUSJUHISED LIHVASINATE KOHTA

- Vältige töödeldavas esemes olevatest kruvidest, naeltest vms põhjustatud kahjustusi; eemaldage need enne töö alustamist

- Vältige toitejuhtme kokkupuutumist seadme pöörlevate osadega; hoidke toitejuhet alati tööriistast eemal, tagapool
- Fikseerige toorik** (fiksaatoriga kinnitatud või kruustangide vahele pandud toorik püsib kindlamini paigal kui lihtsalt käega hoides)
- Enne tööriista juurest lahkumist lülitage see välja ning oodake, kuni selle liikuvad osad on täielikult seiskunud
- Pikendusjuhtmete kasutamisel jälgige, et juhe oleks lõpuni lahti keritud ja vastaks 16 A voolutugevusele
- Seadme elektrilise või mehhaanilise häire korral lülitage seade viivitamatult välja ja eemaldage pistik vooluvõrgust
- SKIL tagab seadme häireteta töö üksnes originaalitarvikute kasutamisel
- Tööriista kasutaja peab olema vähemalt 16 aastat vana
- Töötamise ajal võib müratase ületada 85 dB(A); kandke kuulmiskaitsevahendeid
- Kui toitejuhe saab töötamise ajal kahjustada või see lõigatakse läbi, ärge toitejuhet puutuge, vaid eemaldage koheselt pistik vooluvõrgust
- Ärge kunagi kasutage kahjustatud toitejuhtmega tööriista; laske toitejuhe remonditöökojas välja vahetada
- Kontrollige alati, kas võrgupinge ühtib tööriista andesiltil toodud pingega (andesiltil toodud 230V või 240V korral võib tööriistad kasutada ka 220V võrgupinge puhul)
- See tööriist ei sobi märglihvimiseks
- Asbestisisaldava materjali töötlemine on keelatud** (asbest võib tekitada vähki)
- Värviga kaetud juhtmed, mõned puiduliigid, mineraalid ja metall eraldavad tolm, mis võib olla kahjulik (kokkupuude tolmuga või selle sissehingamine võib seadme kasutajal või läheduses viibvatel inimestel põhjustada allergilisi reaktsioone ja/ või hingamisteede haigusi); **kandke tolmumaski ja vajaduse korral töötaga külgeühendatava tolmueemaldusseadmega**
- Teatud tüüpi tolm on klassifitseeritud kantserogeensena (nt tammest ja kasest eralduv tolm), eriti koos puidu niiskuse reguleerimiseks kasutatavate lisanditega; **kandke tolmumaski ja vajaduse korral töötaga külgeühendatava tolmueemaldusseadmega**
- Erinevate materjalide töötlemisel tekkiva tolmuga käitlemisel tuleb järgida kehtivaid nõudeid
- Metallide lihvimisel lendub sademeid; ärge kasutage tolmukotti/toilmumeijat ning jälgige, et läheduses ei oleks teisi inimesi ega tuleohtlikke materjale
- Vältige kokkupuudet liikuva lihvapaberiga
- Ärge kasutage ülemäärast kulunud, rebenenud või muul viisil vigastatud lihvapabereid
- Kandke kaitsekindaid ja kaitseprille, pikad juuksed kaitseke ni peakattega; ärge kandke töö ajal laiu, lotendavaid riideid
- Enne seadme reguleerimist või tarviku vahetust eemaldage seade vooluvõrgust (tõmmake pistik pistikupesast välja)**

## KASUTAMINE

- Alusketas
  - seadet ei tohi kasutada ilma alusketata A või B, või alusplaadita C
  - kasutage sobivat alusketast (vt: Kasutusjuhised)
- ! kahjustatud alusketad tuleb koheselt välja vahetada**

- Alusketaste vahetamine ④
  - eemaldage VELCRO lihvpaper
  - eemaldage kettamutri D kuuskantvõtmega E
  - paigaldage alusketas A või B, nagu pildil näidatud
  - vajaduse korral tuleb alusketas kõigepealt puhastada
  - pingutage kettamutri D kuuskantvõtmega E
  - ! **hoidke alusketast tugevalt kinni, kui pingutate lahti/ pingutate kettamutri D**
  - ! **enne alusketta eemaldamist tõmmake pistik pistikupesast välja**
  - ! **kettamutri D muutub töö käigus väga kuumaks; ärge puutuge seda enne, kui see on maha jahtunud**
- Lihvpaberi kinnitamine ⑤
  - ! **eemaldage seade vooluvõrgust**
  - paigaldage vastavalt joonisele VELCRO lihvpaper
  - ! **tolmu eemaldamiseks vajate aukudega lihvpaperit**
  - ! **lihvpaperi augud peaksid lihvplaadi omadega ühtima**
  - ! **vahetage kulunud lihvpaper õigeaegselt välja**
  - ! **kasutage tööriista ainult siis, kui kogu lihvimisepind on lihvpaperiga kaetud**
- Kahe kiirusega lüliti ⑥
  - seadme sisselülitamiseks lükake tööüliti F ② ettepoole, väljalülitamiseks tahapoole (3 asendit) 0 = välja
  - 1 = aeglane kiirus
  - 2 = kõrged pöörded
  - valige asend 1 täpseks lihvimiseks (kui töötate delta-otsikuga G või spetsiaalsete lihvimistarvikutega H, J või K)
  - valige asend 2 kiirlihvimiseks
  - ! **enne lihvitava pinna kokkupuutumist töödeldava esemega tuleb tööriist sisse lülitada**
  - ! **enne tööriista väljalülitamist tuleb see töödeldavalt esemelt eemaldada**
- Spetsiaalsete lihvimistarvikute paigaldus (ei sisaldu standardvarustuses) ⑦
  - paigaldage alusplaat C (sarnaneb alusketaste paigaldusega)
  - paigaldage tarvik H, J või K alusplaadile C ja kinnitage see, keerates nuppu L päripäeva
  - paigaldage vastav VELCRO-lihvpaper lihvimistarviku külge
  - eemaldage tarvikud või muutke nende asendit, keerates nuppu L vastupäeva
  - 5 lihvimisasendit
- Tolmu eemaldamine ⑧
  - tühjendage tolmuoti M regulaarselt, see tagab optimaalse tolmuimeamisvõimsuse säilimise Tolmuimeja kasutamisel
  - eemaldage tolmuoti M lükates nuppu N vasakule ja hoides seda selles asendis ning tõmmates samal ajal tolmuoti tahapoole
  - ühendage tolmuimeamisvoolik adapteriga P
  - ! **ärge kasutage tolmuoti/tolmuimejat metalli lihvimisel**
- Tööriista hoidmine ja juhtimine ⑨
  - hoidke tööriista paralleelselt töödeldava pinnaga
  - ! **ärge suruge tööriistale liigselt; laske lihvitava pinnal enda heaks töötada**
  - vältimaks soovimatuid lihvimisjärgi ärge kallutage tööriista

- ! **töötamise ajal hoidke tööriista kinni korpuse ja käepideme halli värvi osadest**
- hoidke õhutusavad Q ② kinnikatmata

## TÖÖJUHISED

- Kasutage seadet, kolmnurkne ots ees, raamistatud, kitsaste ja teiste raskesti ligipääsetavate pindade töötlemiseks ⑩
- Kasutage seadet, lame külg ees, lamedatel pindadel pikemate tõmmete tegemiseks ⑪
- Kumerate materjalide ning värvitud pindade lihvimiseks kasutage seda tööriista koos aluskettaga A ②
- Spetsiaalsete lihvimistarvikuid kasutage raskesti ligipääsetavate kohtade lihvimiseks ⑫
- Paindlik lihvimistarvik on ette nähtud
  - ümarate servade lihvimiseks ⑬a
  - kõikide maksimaalselt 10 cm läbimõõduga ümarate pindade lihvimiseks ⑬b
- Kui delta-otsik G on ülal kulunud või kahjustatud, siis saate selle kasutusaega kaks korda pikendada, võttes katte küljest ära, pöörates seda 120° võrra ja asetades siis uuesti kohale (sama käib ka delta-lihvpaperi kohta) ⑭
- Ärge kunagi töödelge ühe ja sama lihvpaperiga puitu ja metalli
- Lihvpaberi soovitatav karedus:
 

jäme	- värvi eemaldamiseks; äärmiselt kareda puidu lihvimiseks
keskmine	- toorpuidu või tavalise puidu lihvimiseks
peen	- puidu silendamiseks; töötlemata puidu lihvimiseks; vana värviga kaetud pindade silendamiseks
- Kui töödeldav pind on kare, kasutage erineva karedusega lihvpaperid:
  - lihvige algul jämeda või keskmise karedusega lihvpaperiga
  - lõpetage vähekedra lihvpaperiga
- Rohkem nõuandeid leiate aadressil [www.skil.com](http://www.skil.com)

## HOOLDUS/TEENINDUS

- Tööriist pole mõeldud professionaalseks kasutamiseks
- Hoidke seade ja toitejuhe alati puhtad (eriti õhutusavad Q ②)
  - külgekleepunud lihvimistolm eemaldage pintsliga
- ! **enne puhastamist eemaldage seade vooluvõrgust**
- Tööriist on hoolikalt valmistatud ja testitud; kui tööriist sellest hoolimata rikki läheb, tuleb see lasta parandada SKILI elektriliste käsitööriistade volitatud remonditöökojas
  - toimetage **lahitmonteerimata** seade koos ostukviitungiga tarnijale või lähimasse SKILI lepingulisse töökotta (aadressid ja tööriista varuosade joonise leiate aadressil [www.skil.com](http://www.skil.com))

## KESKKOND

- **Ärge visake kasutuskoõlmatuks muutunud elektrilisi tööriistu, lisatarvikuid ja pakendeid ära koos olmejäätmetega** (üksnes EL liikmesriikidele)
  - vastavalt Euroopa Parlamendi ja nõukogu direktiivile 2002/96/EÜ elektri- ja elektroonikaseadmete jäätmete kohta ning direktiivi nõuete kohaldamisele liikmesriikides tuleb kasutuskoõlmatuks

muutunud elektrilised tööriistad koguda eraldi ja keskkonnasäästlikult korduvkasutada või ringluse võtta

- seda meenutab Teile sümbol 15

## CE VASTAVUSDEKLARATSIOON

- Kinnitame ainuvastutajana, et see toode vastab järgmistele standarditele või normdokumentidele: EN 60745, EN 61000, EN 55014 vastavalt direktiivide 2004/108/EÜ, 2006/42/EÜ, 2011/65/EL nõuetele
- **Tehniline toimik saadaval aadressil:** SKIL Europe BV (PT-SEU/ENG1), 4825 BD Breda, NL

Marijn van der Hoofden  
Operations & Engineering

Olaf Dijkgraaf  
Approvals Manager

SKIL Europe BV, 4825 BD Breda, NL  
19.08.2013

## MÜRA/VIBRATSIOON

- Vastavalt kooskõlas normiga EN 60745 läbi viidud mõõtmistele on tööriista helirõhk 75 dB(A) ja helitugevus 86 dB(A) (standardkõrvalekalle: 3 dB), ja vibratsioon 10,7 m/s<sup>2</sup> (kääe-randme-meetod; mõõtemääramatus K = 1,5 m/s<sup>2</sup>)
  - Tekkiva vibratsiooni tase on mõõdetud vastavalt standardis EN 60745 kirjeldatud standarditud testile; seda võib kasutada tööriistade võrdlemiseks ja tööriista kasutamisel ettenähtud töödeks esineva vibratsiooni esialgseks hindamiseks
    - tööriista kasutamisel muudeks rakendusteks või teiste/halvasti hooldatud tarvikute kasutamisel võib vibratsioon märkimisväärselt **suurened**
    - ajal, kui tööriist on väljalülitatud või on küll sisselülitatud, kuid tegelikult seda ei kasutata, võib vibratsioon märkimisväärselt **vähened**
- ! enda kaitsmiseks vibratsiooni eest hooldage tööriista ja selle tarvikuid korralikult, hoidke oma käed soojad ja tagage sujuv töökorraldus**

LV

## Daudzfunkcionāla slīpmašīna 7220 IEVADS

- Šis instruments ir paredzēts koka, krāsotu virsmu, plastmasas un pildvielu sausai slīpēšanai un gala apstrādei
- Šis instruments nav paredzēts profesionālai lietošanai
- Izlasiet un saglabājiet šo pamācību ③

## TEHNISKIE PARAMETRI ①

### INSTRUMENTA ELEMENTI ②

- A Slīpēšanas pamatne dažāda pielietojuma slīpēšanai
- B Slīpēšanas pamatne nejausinātai orbitālai slīpēšanai
- C Pamatplātnē slīpēšanas uzgaļu pievienošanai\*
- D Stiprinājuma skrūve

- E Sešstūra stienpatslēga
- F Divu ātrumu slēdzis
- G Deltas veida uzliktnis
- H Mēles veida uzliktnis\*
- J Elastīgs slīpēšanas uzgalis\*
- K Pirksta slīpēšanas uzgalis\*
- L Poga slīpēšanas uzgaļu piestiprināšanai\*
- M Putekļu konteiners
- N Poga putekļu konteina noņemšanai
- P Putekļsūcēja savienotājelements
- Q Ventilācijas atveres

\* NAV STANDARTA KOMPLEKTĀCIJĀ

## DROŠĪBA

### VISPĀRĒJIE DARBA DROŠĪBAS NOTEIKUMI

**⚠ UZMANĪBU!** Rūpīgi izlasiet visus drošības noteikumus. Šeit sniegto drošības noteikumu un norādījumu neievērošana var izraisīt aizdegšanos un būt par cēloni elektriskajam triecienam vai nopietnam savainojumam. **Pēc izlasīšanas uzglabājiet šos noteikumus turpmākai izmantošanai.** Turpmākajā izklāstā lietotais apzīmējums "elektroinstruments" attiecas gan uz tīkla elektroinstrumentiem (ar elektrokabeļi), gan arī uz akumulatora elektroinstrumentiem (bez elektrokabeļa).

### 1) DROŠĪBA DARBA VIETĀ

- a) **Sekojiet, lai darba vieta būtu tīra un sakārtota.** Nekārtīgā darba vieta vai sliktā apgaismojumā var viegli notikt nelaimes gadījums.
- b) **Nelietojiet elektroinstrumentu eksplozīvu vai ugunsdrošu vielu tuvumā un vietās ar paaugstinātu gāzes vai putekļu saturu gaisā.** Darba laikā instruments nedaudz dzirksteļo, un tas var izsaukt viegli degošu putekļu vai tvaiku aizdegšanos.
- c) **Lietojot elektroinstrumentu, neļaujiet nepiederošām personām un jo īpaši bērniem tuvoties darba vietai.** Citu personu klātbūtne var novērst uzmanību, un tā rezultātā jūs varat zaudēt kontroli pār instrumentu.

### 2) ELEKTRODROŠĪBA

- a) **Elektroinstrumenta kontaktdakšai jābūt piemērotai elektrotīkla kontaktligzdai. Kontaktdakšas konstrukciju nedrīkst nekādā veidā mainīt.** Nelietojiet kontaktdakšas salāgotājus, ja elektroinstruments caur kabeli tiek savienots ar aizsargzemējuma ķēdi. Neizmainītas konstrukcijas kontaktdakša, kas piemērota kontaktligzdai, ļauj samazināt elektriskā trieciena saņemšanas risku.
- b) **Darba laikā nepieskarieties saņemtiem priekšmetiem, piemēram, caurulēm, radiatoriem, plītim vai ledusskapjiem.** Pieskaroties saņemtiem virsmām, pieaug risks saņemt elektrisko triecienu.
- c) **Nelietojiet elektroinstrumentu lietus laikā, neturiet to mitrumā.** Mitrumam iekļūstot instrumentā, pieaug risks saņemt elektrisko triecienu.
- d) **Nenesiet un nepiekariet elektroinstrumentu aiz elektrokabeļa. Neraujiet aiz kabeļa, ja vēlaties atvienot instrumentu no elektrotīkla kontaktligzdas. Sargājiet elektrokabeļi no karstuma, eļļas, asām šķautnēm un instrumenta kustīgajām daļām.** Bojāts

- vai samezģlojies elektrokabelis var būt par cēloni elektriskajam triecienam.
- e) **Darbinot elektroinstrumentu ārpus telpām, izmantojiet tā pievienošanai vienīgi tādus pagarinātājkabeļus, kuru lietošana ārpus telpām ir atļauta.** Lietojot elektrokabēli, kas piemērots darbam ārpus telpām, samazinās risks saņemt elektrisko triecienu.
- f) **Ja elektroinstrumentu tomēr nepieciešams lietot vietās ar paaugstinātu mitrumu, izmantojiet tā pievienošanai noplūdes strāvas aizsargreleju.** Lietojot noplūdes strāvas aizsargreleju, samazinās risks saņemt elektrisko triecienu.
- 3) PERSONISKĀ DROŠĪBA**
- a) **Darba laikā saglabājiet paškontroli un rīkojieties saskaņā ar veselo saprātu. Pārtrauciet darbu, ja jūtaties noguris vai atrodaties alkohola, narkotiku vai medikamentu izraisītā reibumā.** Strādājot ar elektroinstrumentu, pat viens neuzmanības mirklis var būt par cēloni nopietnam savainojumam.
- b) **Izmantojiet individuālos darba aizsardzības līdzekļus un darba laikā vienmēr nēsājiet aizsargbrilles.** Individuālo darba aizsardzības līdzekļu (putekļu maskas, neslīdošu apavu un aizsargķiveres vai ausu aizsargu) pielietošana atbilstoši elektroinstrumenta tipam un veicamā darba raksturam ļauj izvairīties no savainojumiem.
- c) **Nepieļaujiet elektroinstrumenta patvaļīgu ieslēgšanos. Pirms elektroinstrumenta pievienošanas elektrotīklam, akumulatora ievietošanas vai izņemšanas, kā arī pirms elektroinstrumenta pārnesšanas pārliecinieties, ka tas ir izslēgts.** Pārnesot elektroinstrumentu, ja pirksts atrodas uz ieslēdzēja, kā arī pievienojot to elektrobarošanas avotam laikā, kad elektroinstrumentis ir ieslēgts, var viegli notikt nelaimes gadījums.
- d) **Pirms instrumenta ieslēgšanas neaizmirstiet izņemt tā regulējošos instrumentus vai skrūvjatslēgas.** Patronatslēga vai skrūvjatslēga, kas instrumenta ieslēgšanas brīdī nav izņemta no tā, var radīt savainojumu.
- e) **Strādājot ar elektroinstrumentu, ieturiet stingru stāju. Darba laikā vienmēr saglabājiet līdzsvaru un centieties nepaslidēt.** Tas atvieglos instrumenta vadību neparedzētās situācijās.
- f) **Izvēlieties darbam piemērotu apģērbu. Darba laikā nenēsājiet brīvi plandošas drēbes un rotaslietas. Netuviniet matus, apģērbu un aizsargcimdus instrumenta kustīgajām daļām.** Valīgas drēbes, rotaslietas un garī mati var iekļerties instrumenta kustīgajās daļās.
- g) **Ja elektroinstrumenta konstrukcija ļauj tam pievienot ārējo putekļu uzsūkšanas vai savākšanas/uzkrāšanas ierīci, sekojiet, lai tā tiktu pievienota elektroinstrumentam un pareizi darbotos.** Pielietojot putekļu uzsūkšanu vai savākšanu/uzkrāšanu, samazinās to kaitīgā ietekme uz strādājošās personas veselību.
- 4) ELEKTROINSTRUMENTU LIETOŠANA UN APKOPE**
- a) **Nepārslogojiet elektroinstrumentu. Katram darbam izvēlieties piemērotu instrumentu.** Elektroinstrumentus darbosies labāk un drošāk pie nominālās slodzes.

- b) **Nelietojiet elektroinstrumentu, ja ir bojāts tā ieslēdzējs.** Elektroinstrumentis, ko nevar ieslēgt un izslēgt, ir bīstams lietošanai un to nepieciešams remontēt.
- c) **Pirms elektroinstrumenta apkopes, regulēšanas vai darbinstrumenta nomaiņas atvienojiet tā kontaktakšu no barojošā elektrotīkla vai izņemiet to tā akumulatoru.** Šādi iespējams samazināt elektroinstrumenta nejaušas ieslēgšanās risku.
- d) **Elektroinstrumentu, kas netiek darbināts, uzglabājiet piemērotā vietā, kur tas nav sasniedzams bērniem un personām, kuras neprot rīkoties ar instrumentu.** Ja elektroinstrumentu lieto nekompetentas personas, tas var apdraudēt cilvēku veselību.
- e) **Rūpīgi veiciet elektroinstrumenta apkalpošanu. Pārbaudiet, vai kustīgās daļas darbojas bez traucējumiem un nav iespīlētas, vai kāda no daļām nav salauzta vai bojāta, vai katra no tām pareizi funkcionē un pilda tai paredzēto uzdevumu. Nodrošiniet, lai bojātās daļas tiktu savlaicīgi nomainītas vai remontētas pilnvarotā remontu darbnīcā.** Daudzi nelaimes gadījumi notiek tāpēc, ka elektroinstrumentis pirms lietošanas nav pienācīgi apkalpots.
- f) **Savlaicīgi notīriet un uzasiniet griezošos darbinstrumentus.** Rūpīgi kopti instrumenti, kas apgādāti ar asiem griežņinstrumentiem, ļauj strādāt daudz ražīgāk un ir vieglāk vadāmi.
- g) **Lietojiet vienīgi tādus elektroinstrumentus, papildpiederumus, darbinstrumentus utt., kas paredzēti attiecīgajam pielietojuma veidam. Bez tam jāņem vērā arī konkrētie darba apstākļi un pielietojuma īpatnības.** Elektroinstrumentu lietošana citiem mērķiem, nekā to ir paredzējusi ražotājfirma, ir bīstama un var novest pie neparedzamām sekām.
- 5) APKALPOŠANA**
- a) **Nodrošiniet, lai Instrumenta remontu veiktu kvalificēts personāls, nomaīnai izmantojot oriģinālās rezerves daļas un piederumus.** Tikai tā iespējams panākt instrumenta ilgstošu un nevainojamu darbību bez atteikumiem.

## DARBA DROŠĪBAS NOTEIKUMI SLĪPMAŠĪNĀM

- Izvairieties no instrumenta bojājumiem, ko var radīt apstrādājamajā priekšmetā esošās skrūves, naglas vai citi līdzīgi objekti; pirms darba uzsākšanas atbrīvojiet apstrādājamo materiālu no šādiem priekšmetiem
- Darba laikā sekojiet, lai elektrokabelis atrastos drošā attālumā no instrumenta kustīgajām daļām un stieptos prom no darba vietas virzienā uz aizmuguri
- **Nostipriniet apstrādājamo detaļu** (to ir drošāk nostiprināt ar spailēm vai skrūvspīlēm, nevis turēt rokā)
- Pirms instrumenta novietošanas izslēdziet tā elektrodzinēju un nogaidiet, līdz ir pilnīgi apstājušās visas instrumenta kustīgās daļas
- Lietojiet pilnīgi atīttus un drošus pagarinātājkabeļus, kas paredzēti 16 A strāvai
- Elektriska vai mehāniska rakstura kļūmes gadījumā nekavējoties izslēdziet instrumentu un atvienojiet kabeļa kontaktakšu no elektrotīkla
- Firma SKIL garantē instrumenta nevainojamu darbību tikai tad, ja tiek lietoti oriģinālie papildpiederumi

- Šo instrumentu nedrīkst izmantot personas, kas jaunākas par 16 gadiem
- Darba laikā instrumenta radītā trokšņa līmenis var pārsniegt 85 dB(A); lietojiet ausu aizsargus
- Ja darba laikā tiek pārgriezti vai citādi mehāniski bojāti instrumenta elektrokabelis, nepieskarieties tam, bet nekavējoties atvienojiet elektrokabeļa kontaktdakšu no barojošā elektrotīkla
- Neizmantojiet instrumentu, ja tam ir bojāts elektrokabelis; tā nomaīņu drīkst veikt tikai pieredzējis speciālists
- Vienmēr pārliecinieties, ka spriegums, kas uzrādīts uz instrumenta marķējuma plāksnītes, atbilst padeves spriegumam elektrotīklā (230V vai 240V spriegumam paredzētie instrumenti var darboties arī no 220V elektrotīkla)
- Šis instruments nav paredzēts mitrai slīpēšanai
- **Neapstrādājiet materiālus, kas satur azbestu** (azbestam piemīt kancerogēnas īpašības)
- Materiāla (piemēram, svīnu saturošas krāsas, dažu koka šķirņu, minerālu un metāla) putekļi var būt kaitīgi (saskare ar putekļiem vai to ieelpošana var izraisīt alerģiskas reakcijas un/vai elpošanas ceļu saslimšanas operatoram vai klātesošajiem); **izmantojiet putekļu masku un putekļsūcēju, ja to iespējams pievienot**
- Dažu veidu putekļi ir klasificēti kā kancerogēni (piemēram, ozola vai dižskābarža putekļi), jo īpaši apvienojumā ar koksnes kondicionēšanas piedevām; **izmantojiet putekļu masku un putekļsūcēju, ja to iespējams pievienot**
- Ievērojiet ar putekļu savākšanu saistītos nacionālos noteikumus, kas attiecas uz apstrādājamajiem materiāliem
- Slīpējot metālu, veidojas dzirksteles; šādā gadījumā neizmantojiet putekļu konteineru/putekļsūcēju un sekojiet, lai darba vietas tuvumā neatrastos citas personas vai ugunsdrošī materiāli
- Nepieskarieties kustīgajai slīpēšanas loksnei
- Nelietojiet nolietotas, deformētas vai stipri piesārņotas slīpēšanas loksnes
- Darba laikā nēsājiet aizsargcimdus un aizsargbrilles, uzvelciet piegulošas drēbes un nosedziet matus ar saturošu galvassegu (ja jums ir gari mati)
- **Pirms instrumenta regulēšanas vai piederumu nomainīšanas atvienojiet to no barojošā elektrotīkla**

## DARBS

- Slīpēšanas pamatne
  - nedarbiniet ierīci, ja tajā nav iestiprināts slīpēšanas pamatne A vai B, vai pamatplātne C
  - izmantojiet tikai tādu slīpēšanas pamatni, kas atbilst veicamā darba raksturam (skatīt šīs Pamācības nodaļu "Praktiski padomi")
  - ! **nekavējoties nomainiet bojātu slīpēšanas pamatni**
- Slīpēšanas disku nomaīņa ④
  - noņemiet slīpēšanas loksni ar VELCRO tipa pārklājumu
  - atskrūvējiet diska skrūvi D ar sešstūra stienatslēgu E
  - piestipriniet slīpēšanas disku A vai B, kā parādīts
  - vajadzības gadījumā vispirms notīriet slīpēšanas pamatni
  - pieskrūvējiet diska skrūvi D ar sešstūra stienatslēgu E
  - ! **atskrūvējot/pieskrūvējot diska skrūvi, cieši turiet slīpēšanas disku D**

- ! **pirms slīpēšanas pamatnes nomainīšanas atvienojiet instrumentu no elektrotīkla**
- ! **darba gaitā diska skrūve D stipri sakarst; tāpēc nepieskarieties tai, pirms tā nav atdzisusi**
- Slīpēšanas loksnes nostiprināšana ⑤
  - ! **atvienojiet instrumentu no elektrotīkla**
  - nostipriniet VELCRO tipa (pašnoturošās) slīpēšanas loksnes, kā parādīts attēlā
  - ! **ja vēlaties pielietot putekļu uzsūkšanu, lietojiet perforētas slīpēšanas loksnes**
  - ! **atvērumiem slīpēšanas loksnē jāsakrīt ar atvērumiem slīpēšanas pamatnē**
  - ! **savlaicīgi nomainiet nolietotās slīpēšanas loksnes**
  - ! **strādājiet ar instrumentu vienīgi tad, ja visa tās pamatne ir nosepta ar slīpēšanas loksni**
- Divu ātrumu slēdzis ⑥
  - ieslēdziet/izslēdziet instrumentu, pārvietojot ieslēdzēju F ② uz priekšu/atpakaļ (3 pozīcijas)
    - 0 = izslēgšana
    - 1 = mazs ātrums
    - 2 = lielāks ātrums
  - precīzai slīpēšanai izvēlieties 1. iestatījumu (strādājot ar deltveida G vai īpašiem slīpēšanas uzgaļiem H, J vai K)
  - ātrai slīpēšanai izvēlieties 2. pozīciju
  - ! **instrumentam jābūt ieslēgtam jau pirms slīpēšanas loksnes saskarsšanās ar apstrādājamā priekšmeta virsmu**
  - ! **pirms instrumenta izslēgšanas paceliet to no apstrādājamā priekšmeta virsmas**
- Speciālo slīpēšanas piederumu nostiprināšana (neietilpst standarta piegādes komplektā) ⑦
  - nostipriniet pamatplātni C (līdzīgi kā slīpēšanas diska nostiprināšana)
  - nostipriniet uzgali H, J vai K uz pamatplātnes C un piestipriniet to, pagriežot pogu L pulksteņrādītāja kustības virzienā
  - nostipriniet uz slīpēšanas piederuma piemērotu slīpēšanas loksni ar VELCRO tipa pārklājumu
  - noņemiet uzgaļus vai izmainiet to pozīciju, pagriežot pogu L pretēji pulksteņrādītāja kustības virzienam
  - izvēlieties vienu no 5 slīpēšanas piederuma stāvokļiem
- Putekļu uzsūkšana ⑧
  - lai nodrošinātu optimālu putekļu uzsūkšanu, regulāri iztukšojiet putekļu konteineru M
  - Lai putekļu uzsūkšanai izmantotu putekļsūcēju, rīkojieties šādi
    - noņemiet putekļu konteineru M nospiežot pogu N pa kreisi, un, turot to šādā stāvoklī, velciet putekļu konteineru atpakaļ
    - pievienojiet putekļsūcēju instrumenta savienotājam P
  - ! **nelietojiet putekļu konteineru/putekļsūcēju, slīpējot metālu**
- Instrumenta turēšana un vadīšana ⑨
  - darba laikā virziet instrumentu paralēli apstrādājamajai virsmai
  - ! **neizdariet uz instrumentu pārāk lielu spiedienu; ļaujiet slīpēšanas loksnei darīt darbu jūsu vietā**
  - lai novērstu nevēlamu šķīvu veidošanos uz apstrādājamās virsmas, darba laikā nenolieciet instrumentu sānu virzienā

**! darba laikā vienmēr turiet instrumentu aiz pelēkās krāsas noturvirsmas(ām)**

- nenosprostojiet instrumenta ventilācijas atveres Q ②

## PRAKTISKI PADOMI

- Apstrādājot šauras un grūti pieejamas virsmas, pagrieziet slīpmašīnas pamatni tā, lai tās deltas veida uzgalis būtu vērstis uz priekšu ⑩
- Apstrādājot virsmas ar lielu laukumu, pagrieziet slīpmašīnas pamatni tā, lai tās taisnā mala būtu vērsta uz priekšu ⑪
- Lai slīpētu izliektu materiālu, kā arī lai panāktu augstu noslīpēšanas sniegumu, izmantojiet rīku kopā ar slīpēšanas disku A ②
- Apstrādājot grūti sasniedzamas vietas, nostipriniet uz instrumenta speciālos slīpēšanas piederumus ⑫
- Lokanais slīpēšanas uzliktnis ir paredzēts - malu noapaļošanai ⑬a  
- liektu virsmu apstrādei priekšmetiem ar diametru līdz 10 cm ⑬b
- Ja deltas veida uzliktnis G ir nodilis vai bojāts tās gals, uzliktna kalpošanas ilgumu var divkāršot, to noņemot, pagriežot par 120° un no jauna nostiprinot uz instrumenta (tas pats attiecas arī uz deltas veida slīpēšanas loksni) ⑭
- Nekādā gadījumā nelietojiet vienu un to pašu slīpēšanas loksni koka un metāla apstrādei
- Ieteicamā slīpēšanas lokšņu graudainība:  
rupja - krāsas noņemšanai no virsmām; ļoti rupjas koksnes slīpēšanai  
vidēja - raupjas koksnes vai lielu koka virsmu slīpēšanai  
smalka - koka virsmu nogludināšanai; nekrāsotus koka virsmu gala apstrādei; vecu krāsojuma slāņu nogludināšanai
- Raupju virsmu slīpēšanu veiciet pakāpeniski, izmantojot dažādas graudainības slīpēšanas loksnes:  
- uzsāciet slīpēšanu, izmantojot slīpēšanas loksnes ar rupju vai vidēju graudainību  
- nobeidziet slīpēšanu, izmantojot slīpēšanas loksnes ar smalku graudainību
- Papildu ieteikumi ir sniegti datortīkla vietnē [www.skil.com](http://www.skil.com)

## APKALPOŠANA / APKOPE

- Šis darbarīks nav paredzēts profesionālai lietošanai
- Uzturiet tīru instrumentu un elektrokabeli (īpaši ventilācijas atveres Q ②)  
- ar suku notīriet no instrumenta tam pielīpušos putekļus  
**! pirms instrumenta tīrīšanas atvienojiet to no elektrotilkla**
- Ja, neraugoties uz augsto izgatavošanas kvalitāti un rūpīgo pēcražošanas pārbaudi, instruments tomēr sabojājas, tas jānogādā remontam firmas SKIL pilnvarotā elektroinstrumentu remonta darbnīcā  
- nogādājiet instrumentu **neizjauktā veidā** kopā ar iegādes dokumentiem tuvākajā tirdzniecības vietā vai firmas SKIL pilnvarotā piegādes apkalpošanas un remonta iestādē (adreses un instrumenta apkalpošanas shēma ir sniegta interneta vietnē [www.skil.com](http://www.skil.com))

## APKĀRTĒJĀS VIDES AIZSARDZĪBA


- **Neizmetiet elektroiekārtas, piederumus un iesaiņojuma materiālus sadzīves atkritumos** (tikai ES valstīm)  
- saskaņā ar Eiropas Savienības direktīvu 2002/96/ES par nolietotajām elektriskajām un elektroniskajām iekārtām un tās atspoguļojumiem nacionālajā likumdošanā, nolietotās elektroiekārtas ir jāsavāc, jāizjauca un jānogādā atbilstoši pārstrādei apkārtējai videi nekaitīgā veidā  
- īpašs simbols ⑮ atgādina par nepieciešamību izstrādājumus izmantot videi nekaitīgā veidā

## CEĀTILSTĪBAS DEKLARĀCIJA

- Mēs ar pilnu atbildību paziņojam, ka šis izstrādājums atbilst standartiem vai standartizācijas dokumentiem EN 60745, EN 61000, EN 55014 un ir saskaņā ar direktīvām 2004/108/EK, 2006/42/EK, 2011/65/ES
- **Tehnisks dokumentācija no:** SKIL Europe BV (PT-SEU/ENG1), 4825 BD Breda, NL

Marijn van der Hoofden  
Operations & Engineering

Olaf Dijkgraaf  
Approvals Manager

  
SKIL Europe BV, 4825 BD Breda, NL  
19.08.2013

## TROKSNIS/VIBRĀCIJA

- Saskaņā ar standartu EN 60745 noteiktais instrumenta radītā trokšņa skaņas spiediena līmenis ir 75 dB(A) un skaņas jaudas līmenis ir 86 dB(A) (pie tipiskās izkliedes 3 dB), un vibrācijas paātrinājums ir 10,7 m/s<sup>2</sup> (roku-delnu metode; izkliede K = 1,5 m/s<sup>2</sup>)
- Vibrācijas līmenis ir noteikts, izmantojot standartā EN 60745 paredzēto procedūru; to var izmantot, lai salīdzinātu instrumentus un provizoriski izvērtētu vibrācijas iedarbību, lietojot instrumentu minētajiem mērķiem  
- instrumenta izmantošana citiem mērķiem vai ar citiem vai nepietiekami koptiem piederumiem var ievērojami **palielināt** kopējo vibrācijas iedarbības pakāpi  
- laika periodi, kad instruments ir izslēgts vai arī ir ieslēgts, taču darbs ar to nenotiek, var ievērojami **samazināt** kopējo vibrācijas iedarbības pakāpi  
**! pasargājiet sevi no vibrācijas iedarbības, veicot instrumenta un tā piederumu tehnisko apkopi, novēršot roku atdzīšanu un pareizi organizējot darbu**

LT

## Daugiafunkcē šlīfavimo mašina 7220

### ĪVADAS

- Šis prietaiss skirtas sausuju būdu šlīfuoti medžio ruošinius, lakuotus paviršius, plastikā ir glaistā, o taip pat atlikti jū baigiamajj apdirbimā
- Šis prietaiss neskirtas profesionāliam naudojimui
- Perskaitykite ir išsaugokite šią naudojimo instrukciją ③

# TECHNINĖS CHARAKTERISTIKOS ①

## PRIETAISO ELEMENTAI ②

- A Šlifavimo padas keliems šlifavimams
- B Šlifavimo padas atsitiktiniam orbitiniam šlifavimui
- C Pagrindo plokštė šlifavimo priedams\*
- D Pado tvirtinimo varžtas
- E Šešiabriaunis raktas
- F Dviejų greičių jungiklis
- G Trikampis antgalis
- H Antgalis žaliuzėms šlifuoti\*
- J Lankstus šlifavimo priedas\*
- K Piršto priedas\*
- L Rankenėlė montuoti šlifavimo priedus\*
- M Dulkių surinkimo dėžutė
- N Dulkių surinkimo dėžutės išėmimo rankenėlė
- P Dulkių siurblio adapteris
- Q Ventilicinės angos

\* NĖRA STANDARTINIAME KOMPLEKTE

## SAUGA

### BENDROSIOS DARBO SAUGOS INSTRUKCIJOS

**⚠ DĖMESIO! Perskaitykite visas šias saugos nuorodas ir reikalavimus.** Jei nepaisysite žemiau pateiktų saugos nuorodų ir reikalavimų, gali trenkti elektros smūgis, kilti gaisras ir/arba galite sunkiai susižaloti arba sužaloti kitus asmenis. **Išsaugokite šias saugos nuorodas ir reikalavimus, kad ir ateityje galėtumėte jais pasinaudoti.** Toliau pateiktame tekste vartojama sąvoka "elektrinis įrankis" apibūdina įrankius, maitinamus iš elektros tinklo (su maitinimo laidu), ir akumuliatorinius įrankius (be maitinimo laido).

#### 1) DARBO VIETOS SAUGUMAS

- a) **Darbo vieta turi būti švari ir tvarkinga.** Tinkama ar blogai apšviesta darbo vieta gali tapti nelaimingų atsitikimų priežastimi.
- b) **Nedirbkite tokioje aplinkoje, kur yra degių skysčių, dujų ar dulkių.** Elektriniai įrankiai gali kibirkščiuoti, o nuo kibirkščių dulkės arba susikaupę garai gali užsidegti.
- c) **Dirbdami su elektriniu įrankiu neleiskite šalia būti žiūrovams, vaikams ir lankytojams.** Nukreipę dėmesį į kitus asmenis galite nebesuvaldyti prietaiso.

#### 2) ELEKTROSAUGA

- a) **Maitinimo laido kištukas turi atitikti tinklo rozetės tipą.** Kištuko jokių būdu negalima modifikuoti. **Nenaudokite jokių kištuko adapterių su įžemintais prietaisais.** Originalūs kištukai, tiksliai tinkantys elektros tinklo rozetei, sumažina elektros smūgio pavojų.
- b) **Venkite kūno kontakto su įžemintais paviršiais, tokiais kaip vamzdžiai, šildytuvai, viryklės ar šaldytuvai.** Egzistuoja padidinta elektros smūgio rizika, jei Jūsų kūnas bus įžemintas.
- c) **Saugokite prietaisą nuo lietaus ir drėgmės.** Jei vanduo patenka į elektrinį prietaisą, padidėja elektros smūgio rizika.
- d) **Nenaudokite maitinimo laido ne pagal paskirtį, t. y. neneškite prietaiso paėmę už laido, nekabinkite**

prietaiso už laido, netraukite už jo, norėdami išjungti kištuką iš rozetės. Laidą klokite taip, kad jo neveiktų karštis, jis neišsitemptų alyva ir jo nepažeistų aštrios detalės ar judančios prietaiso dalys. Pažeisti arba susipynę laidai gali tapti elektros smūgio priežastimi.

- e) **Jeį su elektriniu įrankiu dirbate lauke, naudokite tik tokius ilginimo kabelius, kurie tinka lauko darbams.** Naudojant lauko darbams pritaikytus ilginimo kabelius, sumažinamas elektros smūgio pavojus.
  - f) **Jeį su elektriniu įrankiu neišvengiamai reikia dirbti drėgnoje aplinkoje, naudokite įžeminimo grandinės pertraukiklį.** Naudojant įžeminimo grandinės pertraukiklį, sumažėja elektros smūgio pavojus.
- #### 3) ŽMONIŲ SAUGA
- a) **Būkite atidūs, sutelkite dėmesį į tai, ką Jūs darote ir, dirbdami su elektriniu įrankiu, vadovaukitės sveiku protu. Nedirbkite su prietaisu, jei esate pavargę arba vartojote narkotikus, alkoholį ar medikamentus.** Akimirksnio neatidumas naudojant prietaisą gali tapti rimtų sužalojimų priežastimi.
  - b) **Naudokite asmenines apsaugos priemones ir visuomet užsidėkite apsauginius akinius.** Naudojant asmenines apsaugos priemones, pvz., respiratorių ar apsauginę kaukę, neslystančius batus, apsauginį šalną, klausos apsaugos priemones ir kt., rekomenduojamas dirbant su tam tikros rūšies įrankiais, sumažėja rizika susižeisti.
  - c) **Saugokitės, kad neįjungtumėte prietaiso atsitiktinai. Prieš prijungdami elektrinį įrankį prie elektros tinklo ir/arba akumuliatoriaus, prieš pakeldami ar nešdami įsitikinkite, kad jis yra išjungtas.** Jeigu nešdami elektrinį įrankį pirštą laikysite ant jungiklio arba prietaisą įjungsitė į elektros tinklą, kai jungiklis yra įjungtas, gali įvykti nelaimingas atsitikimas.
  - d) **Prieš įjungdami prietaisą pašalinkite reguliavimo įrankius arba veržlių raktus.** Prietaiso besisukančioje dalyje esantis įrankis ar raktas gali tapti sužalojimų priežastimi.
  - e) **Nepervertinkite savo galimybių. Dirbdami atsistokite patikimai ir visada išlaikykite pusiausvyrą.** Patikima stovėseną ir tinkama kūno laikysena leis geriau kontroliuoti prietaisą netikėtose situacijose.
  - f) **Dėvėkite tinkamą aprangą. Nedėvėkite plačių drabužių ir papuošalų. Saugokite plaukus, drabužius ir pirštines nuo besisukančių prietaiso dalių.** Laisvus drabužius, papuošalus bei ilgus plaukus gali įtraukti besisukančios dalys.
  - g) **Jeį yra numatyta galimybė prijungti dulkių nusiurbimo ar surinkimo įrenginius, visada įsitikinkite, ar jie yra prijungti ir ar teisingai naudojami.** Naudojant dulkių nusiurbimo įrenginius sumažėja kenksmingas dulkių poveikis.
- #### 4) RŪPESTINGA ELEKTRINIŲ ĮRANKIŲ PRIEŽIŪRA IR NAUDOJIMAS
- a) **Neperkraukite prietaiso. Naudokite Jūsų darbui tinkamą elektrinį įrankį.** Su tinkamu elektriniu įrankiu Jūs dirbsite geriau ir saugiau, jei neviršysite nurodyto galingumo.
  - b) **Nenaudokite elektrinio įrankio su sugedusiu jungikliu.** Elektrinis įrankis, kurio nebe galima įjungti ar išjungti, yra pavojingas ir jį reikia remontuoti.

- c) **Prieš reguliuodami prietaisą, keisdami darbo įrankius ar prieš valydami prietaisą, iš elektros tinklo lizdo ištraukite kištuką ir/arba išimkite akumulatorių.** Ši saugomo priemonė apsaugos jus nuo netikėto prietaiso įsijungimo.
- d) **Nenaudojamą prietaisą sandėliuokite vaikams ir nemokantiems juo naudotis asmenims neprieinamoje vietoje.** Elektriniai įrankiai yra pavojingi, kai juos naudoja nepatyrę asmenys.
- e) **Rūpestingai prižiūrėkite prietaisą. Tikrinkite, ar besisukančios prietaiso dalys tinkamai veikia ir niekur nekliūva, ar nėra sulūžusių ar šiaip pažeistų dalių, kurios įtakotų prietaiso veikimą.** Prieš vėl naudojant prietaisą pažeistos prietaiso dalys turi būti suremontuotos. Daugelio nelaimingų atsitikimų priežastis yra blogai prižiūrimi elektriniai įrankiai.
- f) **Pjovimo įrankiai turi būti aštrūs ir švarūs.** Rūpestingai prižiūrėti pjovimo įrankiai su aštriomis pjaunamosiomis briaunomis mažiau stringa ir juos yra lengviau valdyti.
- g) **Elektrinį įrankį, papildomą įrangą, darbo įrankius ir t. t. naudokite taip, kaip nurodyta šioje instrukcijoje. Taip pat atsižvelkite į darbo sąlygas bei atliekamo darbo pobūdį.** Naudojant elektrinius įrankius ne pagal jų paskirtį galima sukelti pavojingas situacijas.
- 5) **APTARNAVIMAS**
  - a) **Prietaisą turi remontuoti tik kvalifikuotas specialistas ir naudoti tik originalias atsargines dalis.** Taip galima garantuoti, jog prietaisas išliks saugus.

## SAUGOS NUORODOS DIRBANTIEMS SU ŠLIFAVIMO PRIETAISAI

- Saugokite, kad nepažeistumėte prietaiso į ruošinyje esančius varžtus, vinis ir pan; prieš pradėdami darbą juos pašalinkite
- Pasirūpinkite, kad maitinimo kabelis nebūtų arti besisukančių prietaiso dalių; klokite jį kuo toliau už prietaiso
- **Saugiai laikykite tvirtinamą dirbinį** (dirbinį, kuris segamas ar kalamas kabių kalimo įrankiais, saugiau laikyti spaustuvu nei ranka)
- Prieš padėdami prietaisą jį išjunkite ir palaukite, kol visos besisukančios jo dalys visiškai sustos
- Naudodami ilginamuosius kabelius atkreipkite dėmesį j tai, kad kabelis būtų iki galo išvyniotas ir būtų pritaikytas 16 A elektros srovei
- Atsiradus mechaninio ar elektrinio pobūdžio trukdžiams, tuojau pat išjunkite prietaisą ir ištraukite kištuką iš elektros tinklo lizdo
- SKIL gali garantuoti neprikaištingą prietaiso veikimą tik tuo atveju, jei naudojama originali papildoma įranga ir priedai
- Šį prietaisą turėtų naudoti tik asmenys, kuriems 16 ir daugiau metų
- Darbo metu triukšmo lygis gali viršyti 85 dB(A); naudoti klausos apsaugos priemones
- Jei dirbant bus pažeistas ar nutrauktas kabelis, būtina noliečiant kabelio tuojau pat ištraukti kištuką iš elektros tinklo lizdo
- Prietaisą su pažeistu kabeliu naudoti draudžiama; jį turi pakeisti kvalifikuotas elektrikas

- Visada patikrinkite, ar elektros tinklo įtampa sutampa su įtampos dydžiu, nurodytu prietaiso vardinėje lentelėje (prietaisus su nurodyta įtampa 230V ir 240V galima jungti į 220V įtampos elektros tinklą)
- Šis prietaisas netinka ruošiniams šlifuoti šlapiuoju būdu
- **Draudžiama apdirbti medžiagas, kurių sudėtyje yra asbesto** (asbestos pasižymi vėžį sukeliančiu poveikiu)
- Kai kurių medžiagų, kaip antai dažų, kurių sudėtyje yra švino, kai kurių medžių rūšių medienos, mineralų ir metalo dulkės gali būti kenksmingos (kontaktas su šiomis dulkėmis arba įkvėptos dulkės gali sukelti operatoriui arba šalia esantiems žmonėms alergines reakcijas ir/arba kvėpavimo sistemos susirgimus); **mūvėkite priešdulkinę puskaukę arba dirbdami naudokite dulkių ištraukimo įrenginį, jei jį galima prijungti**
- Kai kurių rūšių dulks priskiriamos kancerogeninėms (pvz., ažuolo arba buko medienos dulkės), ypač susimaišiusios su medienos taurinimui naudojamais priedais; **mūvėkite priešdulkinę puskaukę arba dirbdami naudokite dulkių ištraukimo įrenginį, jei jį galima prijungti**
- Vadovaukitės Jūsų šalyje taikomų direktyvų reikalavimais, skirtais medžiagoms, su kuriomis norite dirbti
- Šlifuojant metalą kyla kibirkštys; nenaudokite dulkių surinkimo dėžutės/dulkių siurblio ir pasirūpinkite, kad Jums dirbant aplink nebūtų kitų asmenų, kuriuos galėtų sužeisti lekiančios kibirkštys, o taip pat - degių medžiagų
- Nelieskite rankomis švytuojančio šlifavimo popieriaus lapelio
- Draudžiama naudoti nusidėvėjusius, įplyšusius ar labai užterštus šlifavimo popieriaus lapelius
- Užsidėkite apsauginius pirštines, užsidėkite apsauginius akinius, dėvėkite priglundusius drabužius ir apsauginę kepuraitę (jei Jūsų plaukai ilgi)
- **Prieš reguliuojant prietaisą arba keičiant darbo įrankius, ištraukite kištuką iš el. tinklo lizdo**

## NAUDOJIMAS

- Šlifavimo padas
  - joku būdu nenaudokite prietaiso neuždėję šlifavimo pado A arba B, arba pagrindo plokštės C
  - kiekvienam konkrečiam atvejui naudokite atitinkamą šlifavimo padą (žr. Naudojimo Nuorodos)
- **! pažeistą šlifavimo padą tuoj pat pakeiskite**
- Šlifavimo padų keitimas ④
  - nuimkite VELCRO šlifavimo popierį
  - nuimkite pado tvirtinimo varžtas D šešiabriauniu raktu E
  - montuokite šlifavimo padą A arba B, kaip pavaizduota
  - jei reikia, šlifavimo padą pirmiausia nuvalykite
  - priveržkite pado tvirtinimo varžtas D šešiabriauniu raktu E
- **! atlaisvindami/priverždami pado tvirtinimo varžtas tvirtai laikykite šlifavimo padą D**
- **! prieš nuimdami šlifavimo padą ištraukite kištuką iš elektros tinklo lizdo**
- **! darbo metu pado tvirtinimo varžtas D labai įkaista; nelieskite jų rankomis, kol neatauš**
- Šlifavimo popieriaus tvirtinimas ⑤
  - **! ištraukite kištuką iš elektros lizdo**
  - uždėkite VELCRO (kibus sujungimas) šlifavimo popieriaus lapelį, kaip parodyta paveikslėlyje



- ! norint, kad dulkės būtų nusiurbiamos, reikia naudoti skylėtą šlifavimo popieriaus lapelį
- ! šlifavimo popieriaus skylės turi sutapti su skylėmis šlifavimo plokštėje
- ! laiku pakeiskite nusidėvėjusį šlifavimo popieriaus lapelį
- ! prietaisą leidžiama naudoti tik tuomet, kai šlifavimo popierius uždengia visą šlifavimo plokštę
- Dviejų greičių jungiklis ⑥
  - prietaisas įjungiamas ir išjungiamas jungiklį F ② perstumiant į priekį arba atgal (3 padėties)
    - 0 = išjungimas
    - 1 = mažas greitis
    - 2 = didelis greitis
  - pasirinkite 1 padėtį šlifuoti tiksliai (kai dirbate su trikampių antgaliu G arba specialiais šlifavimo priedais H, J arba K)
  - pasirinkite 2 padėtį šlifuoti greitai
- ! visų pirma įjunkite prietaisą ir tik po to pradėkite šlifuoti, t.y. šlifavimo plokštę ruošinį turi paliesti prietaisui esant jau įjungtam
- ! prieš išjungdami prietaisą atitraukite jį nuo ruošinio
- Specialių šlifavimo antgalių sumontavimas (nėra standartiniame komplekte) ⑦
  - montuokite pagrindo plokštę C (panašiai kaip montuojant šlifavimo padus)
  - montuokite priedą H, J arba K ant pagrindo plokštės C ir priveržkite pasukdami rankenėlę L pagal laikrodžio rodyklę
  - ant šlifavimo antgalio uždėkite atitinkamą VELCRO šlifavimo popieriaus lapelį
  - nuimkite priedus arba pakeiskite jų padėtį sukdami rankenėlę L prieš laikrodžio rodyklę
  - 5 šlifavimo padėties
- Dulkių nusiurbimas ⑧
  - reguliariai išvalykite dulkių surinkimo dėžutę M, tuomet dulkių nusiurbimas bus optimalus
  - Jei naudojate dulkių siurbį
    - išimkite dulkių surinkimo dėžutę M paspaudę rankenėlę N į kairę ir laikydami ją šioje padėtyje, kol stumsite dulkių surinkimo dėžutę atgal
    - užmaukite nusiurbimo žarną ant adapterio P
  - ! nenaudokite dulkių surinkimo dėžutės/dulkių siurblio šlifudami metalą
- Prietaiso laikymas ir valdymas ⑨
  - prietaisą laikykite lygiagrečiai apdirbamam paviršiui
- ! nespaukite prietaiso per stipriai; leiskite šlifavimo plokštei atlikti darbą už jus
- nevartykite prietaiso, nes šlifuojant gali likti įbrėžimų
- ! dirbdami laikykite prietaisą už pilkos spalvos suėmimo vietas(-ų)
- ventiliacines angas Q ② laikykite neuždengtas

## NAUDOJIMO PATARIMAI

- Prietaisą naudokite uždėję šlifavimo plokštę smailiuoju kampu į priekį sunkiai prieinamoms, siauroms vietoms šlifuoti (langų rėmams, laiptams, baldams ir pan.) ⑩
- Prietaisą naudokite uždėję šlifavimo plokštę lygiąja briauna į priekį šlifudami didesnius plotus (medinius stalo paviršius, grindis, duris, laiptus ir pan.) ⑪

- Šlifuoti lenktus dirbinius ar šlifuoti sunkiai nuimamus paviršius naudokite prietaisą kartu su šlifavimo padu A ⑫
- Su specialiais antgaliais prietaisą naudokite tik sunkiai prieinamoms, siauroms vietoms šlifuoti ⑬
- Lankstus šlifavimo antgalis yra skirtas
  - kamputiems paviršiams suapvalinti ⑬a
  - visiems suapvalintiems paviršiams, kurių diametras nėra didesnis, kaip 10 cm ⑬b
- Kuomet iš minkštos medžiagos pagaminto trikampių antgalio G viena viršūnė susidėvi ar pažeidžiama, jūs galite pailginti jos tarnavimo laiką dvigubai, ją nuimdami, pasukdami 120° kampu ir vėl uždėdami (tas pats tinka ir trikampių šlifavimo popieriaus lakštui) ⑭
- Nenaudokite to paties šlifavimo popieriaus medžio ir metalo ruošinių apdirbimui
- Rekomenduojamas šlifavimo popieriaus rupumas:
 

didelis	- jei reikia pašalinti dažus; jei šlifujete ypąč šiurkštų medį
vidutinis	- jei šlifujete žalią medieną arba paprastą medieną
smulkus	- glotniam medienos šlifavimui; jei glotniai šlifujete gryną medieną; jei lyginate seniai dažytus paviršius
- Šlifudami grubius paviršius naudokite skirtingo rupumo šlifavimo popierių:
  - iš pradžių šlifokite rupiu arba vidutinio rupumo popieriumi
  - baigdami šlifuoti naudokite smulkaus rupumo popierių
- Daugiau patarimų rasite internete [www.skil.com](http://www.skil.com)

## PRIEŽIŪRA / SERVISAS

- Šis prietaisas neskirtas profesionaliam naudojimui
- Periodiškai valykite prietaisą ir kabelį (ypač ventiliacines angas Q ②)
  - susikaupusias šlifavimo dulkes išvalykite šepetėliu
- ! prieš valydami ištraukite kištuką iš elektros tinklo lizdo
- Jeigu prietaisas, nepaisant gamykloje atliekamo kruopštaus gamybos ir kontrolės proceso, vis dėlto sugestų, jo remontas turi būti atliekamas įgaliotose SKIL elektrinių įrankių remonto dirbtuvėse
  - neišardytą prietaisą kartu su pirkimo čekiu siųskite tiekėjui arba į artimiausią SKIL firmos įgaliotą elektros prietaisų techninio aptarnavimo tarnybą (adresus bei atsarginių dalių brėžinius rasite [www.skil.com](http://www.skil.com))

## APLINKOSAUGA

- Nemeskite elektrinių įrankių, papildomos įrangos ir pakuočių į buitinių atliekų kontenerius (galioja tik ES valstybėms)
  - pagal ES Direktyvą 2002/96/EG dėl naudotų elektrinių ir elektroninių prietaisų atliekų utilizavimo ir pagal vietinius valstybės įstatymus atitarnavę elektriniai įrankiai turi būti surenkami atskirai ir gabenami į antrinių žaliavų tvarkymo vietas, kur jie turi būti sunaikinami ar perdirbami aplinkai nekenksmingu būdu
  - apie tai primins simbolis ⑮, kai reikės išmesti atitarnavusį prietaisą

## CE ATITIKTIES DEKLARACIJA

- Mes atsakingai pareiškiame, kad šis gaminys atitinka tokius standartus ir normatyvinius dokumentus: EN 60745, EN 61000, EN 55014 pagal reglamentų 2004/108/EB, 2006/42/EB, 2011/65/ES nuostatas
- Techninė byla laikoma:** SKIL Europe BV (PT-SEU/ENG1), 4825 BD Breda, NL

Marijn van der Hoofden  
Operations & Engineering

Olaf Dijkgraaf  
Approvals Manager

SKIL Europe BV, 4825 BD Breda, NL

19.08.2013

## TRIUKŠMINGUMAS/VIBRACIJA

- Šio prietaiso triukšmingumas buvo išmatuotas pagal EN 60745 reikalavimus; keliamo triukšmo garso slėgio lygis siekia 75 dB(A) ir akustinio galingumo lygis 86 dB(A) (standartinis nuokrypis: 3 dB), ir vibracijos pagreitis rankos plaštakos srityje tipiniu atveju yra mažesnis, kaip  $10,7 \text{ m/s}^2$  (paklaida  $K = 1,5 \text{ m/s}^2$ )
- Vibracijos sklaidos lygis išmatuotas pagal standarte EN 60745 išdėstytus standartizuoto bandymo reikalavimus; ši vertė gali būti naudojama vienam įrankiui palyginti su kitu bei išankstiniam vibracijos poveikiui įvertinti, kai įrankis naudojamas paminėtais būdais
  - naudojant įrankį kitokiais būdais arba su kitokiais bei netinkamai prižiūriniais priedais, gali žymiai padidėti poveikio lygis
  - laikotarpiams, kai įrankis išjungtas arba yra įjungtas, tačiau juo nedirbama, gali žymiai sumažėti poveikio lygis

**! apsisaugokite nuo vibracijos poveikio prižiūrėdami įrankį ir jo priedus, laikydami rankas šiltai ir derindami darbo ciklus su pertraukėlėmis**

MK

## Брусилица

7220

## УПАТСТВО

- Овој алат е наменет за суво брусење и фина обработка на дрво, обоени површини, пластика, и гитувани површини
- Овој алат не е наменет за професионална употреба
- Внимателно прочитајте го и зачувајте го ова упатство за ракување ③

## ТЕХНИЧКИ СПЕЦИФИКАЦИИ ①

### ЕЛЕМЕНТИ НА АЛАТОТ ②

- A** Потпорна подлошка за повеќенаменско брусење
- B** Потпорна подлошка за кружно брусење по случаен избор
- C** Основна потпора за додатоците за брусење\*
- D** Штраф на перничината
- E** Инбус
- F** Прекинувач со две брзини

- G** Делта-врв
- H** Приклучок за лајсни\*
- J** Флексибилен додаток за брусење\*
- K** Додаток во вид на прст\*
- L** Копче за поставување додаточи за брусење\*
- M** Кутија за прашина
- N** Копче за извлекување на додатокот за прашина
- P** Продолжение за правосмукалка
- Q** Отвори за вентилација

\* НЕ Е СТАНДАРДНО ВКЛУЧЕНО

## БЕЗБЕДНОСТ

### ОПШТИ УПАТСТВА ЗА БЕЗБЕДНОСТ

**⚠ ПРЕДУПРЕДУВАЊЕ!** Сите упатства мора да се прочитаат. Непочитување на долу наведените упатства може да предизвика струен удар, пожар и/или тешки повреди. **Чувајте ги сите предупредувања и напатствија за во иднина.** Поимот "електричен алат", кој се користи во понатамошниот текст, се однесува на вашиот електричен алат (со приклучен кабел) и на електрични алати со погон на батерии (без приклучен кабел).

### 1) БЕЗБЕДНОСТ НА РАБОТНОТО МЕСТО

- a) **Одржувајте го вашето работно место чисто и уредно.** Неуреден или темен работен простор може да предизвикаат незгоди.
- b) **Немојте да работите со уредот во средина во која има опасност од експлозија, во која има запалливи течности, гасови и прашина.** Електричните алати произведуваат искри кои можат да запалат прашина или пареа.
- c) **За време на употребата на електричниот алат, децата и останатите лица држете ги подалеку од местото каде работите.** Одвračање, би можеле да изгубите контрола врз уредот.

### 2) ЕЛЕКТРИЧНА СИГУРНОСТ

- a) **Утикач мора да одговара на приклучокот.** Никано не смее да се прават измени на штекерот. Не користете адаптерски штекер заедно со уредот кој е заштитно заземјен. Не променети штекери и соодветни приклучоци го намалуваат ризикот од електричен удар.
- b) **Избегнувајте допир на телото со заземјени површини, како што се цевни, радијатори, рерни и фрижидери.** Постои зголемена опасност од струен удар, доколку Вашето тело е заземјено.
- c) **Чувајте го уредот подалеку од дожд и влага.** Продирањето на вода во електричниот уред ја зголемува опасноста од струен удар.
- d) **Не злоупотребувајте го приклучниот кабел за носење, бесење на уредот или за извлекување на штекерот од мрежниот приклучок.** Чувајте го кабелот подалеку од топлина, масло, остри рабови или деловите на апаратот кои се движат. Оштетени или заплеткани кабли ја зголемуваат опасноста од струен удар.
- e) **Кога го употребувате полначот надвор, користете продолжен кабел кој е соодветен**

- за употреба на отворен простор. Примената на продолжен кабел соодветен за работа на отворен простор ја намалува опасноста од струен удар.
- f) **Доколку не може да се избегне работа со електричниот алат во влажна средина, користете прекинувач за струјна заштита при технички проблеми.** Употребата на прекинувачот за струјна заштита при технички проблеми го намалува ризикот од електричен удар.
- 3) **БЕЗБЕДНОСТ НА ЛУЃЕ**
- a) **Бидете внимателни, внимавајте што правите и постапувајте внимателно додека работите со електричниот алат. Не работете со уредот доколку сте уморни или под дејство на дрога, алкохол или лекови.** Еден момент на невнимание при употребата може да доведе до сериозни повреди.
- b) **Носете ја личната заштитна опрема и сегоднешните носете заштитни очила.** Носењето на личната заштитна опрема, како што е маската за прашина, безбедносната облека која не се лизга, заштитен шлем или штитник за слух, зависно од видот и примената на електричниот алат, ја намалува опасноста од повреда.
- c) **Избегнувајте невнимателно вклучување за време на работата. Осигурајте се прекинувачот да биде во "OFF" позиција пред да го ставите штекерот во приклучокот.** Доколку го носите електричниот алат со прстот на прекинувачот или го приклучувате апаратот кој е приклучен со напојување на струја, може да предизвикате незгоди.
- d) **Пред вклучување на уредот, тргнете ги алатите за подесување или клучот за навртување.** Алатот или клучот кој се наоѓа во вртливиот дел на уредот, може да предизвика незгода.
- e) **Не ги преценувајте своите способности. Завземете сигурен и стабилен став и во секој момент одржувајте рамнотежа.** На тој начин можете подобро да го контролирате уредот во неочекувани ситуации.
- f) **Носете соодветна облека. Не носете широка облека или накит. Косата, облената и ранавиците држете ги подалеку од деловите кои се движат.** Комотната облека, накитот или долгата коса може да бидат фатени во деловите кои се движат.
- g) **Доколку може да се монтираат направи за вшмукување и фајање прашина, проверете дали се вклучени и дали можат исправно да се користат.** Примената на овие направи ја намалува опасноста од прашината.
- 4) **ВНИМАТЕЛНА УПОТРЕБА И РАКУВАЊЕ СО ЕЛЕКТРИЧНИТЕ АЛАТИ**
- a) **Не го преоптеретувајте уредот. При вашата работа користете го предвидениот електричен алат за таа употреба.** Со соодветниот електричен алат ќе работите подобро и посигурно во наведената функционална област.
- b) **Не користете електричен алат чиј прекинувач е неисправен.** Електричниот алат кој повеќе не може да се вклучува и исклучува е опасен и мора да се поправи.
- c) **Извлечете го штекерот од приклучокот пред извршување на било какви подесувања на апаратот, замена на приборот или складирање.** Со овие мерки на внимателност ќе се избегне невнимателното вклучување на уредот.
- d) **Тргнете го електричниот алат кој не го користите од допирот на децата. Не допуштајте работа со уредот на лица кои не се запознаени со него или кои го немаат прочитано ова упатство.** Електричните алати се опасни доколку со нив работат неискусни лица.
- e) **Одржувајте го уредот со внимание. Имајте контрола околу тоа дали движечките делови на уредот работат беспрекорно и дали не се заглавени, дали деловите се сриршени или оштетени до таа мерка што не може да се обезбеди функционирање на уредот. Пред примената, овие оштетени делови треба да се поправат.** Причина за многу незгоди е лошо одржуваниот електричен алат.
- f) **Алатите за сечење одржувајте ги остри и чисти.** Внимателно одржуваните алати за сечење со остри оттрици помалку ќе се заглавуваат и со нив работата ќе биде полесна.
- g) **Електричниот алат, прибор, работни алати итн., треба да ги користите според овие упатства, и на начин кој е опишан за соодветниот тип на уред. При тоа, земете ги предвид работните услови и работата која се извршува.** Употребата на електричните алати за други цели кои не се предвидени, може да предизвика опасни ситуации.
- 5) **СЕРВИСИРАЊЕ**
- a) **Поправката на Вашиот уред препуштете им ја само на обучен, стручен кадар на овластен сервисер, и само со оригиналните резервни делови.** На тој начин ќе се обезбеди уредот да остане со зачувана безбедност.

#### БЕЗБЕДНОСНИ УПАТСТВА ЗА БРУСИЛКА

- Избегнувајте оштетувања од штрафови, шајки и други предмети во местото каде работите; тргнете ги пред да почнете со работа
- Кабелот сегоднеш држете го подалеку од деловите на алатот кои се движат; кабелот држете го на задната страна, на страна од алатот
- **Зацврстете го материјалот кој го обработувате** (обработка која е зацврстена со стеги или во менгема е побезбедна отколку да ја држите со раце)
- Кога ќе ја завршите работата со алатот, исклучете го моторот и проверете дали сите подвижни делови се застанати
- Продолжениот кабел кој го користите, мора да биде сосема одмотан и безбеден, со капацитет од 16 А
- Во случај да дојде до електричен или механички дефект, веднаш исклучете го алатот и исклучете го од приклучокот
- SKIL може да признае гаранција само доколку е користен оригинален прибор
- Овој алат не треба да го користат лица под 16 години
- Нивото на бучава додека работите може да изнесува повеќе од 85 dB(A); носете заштита за ушите

- Ако кабелот се оштети или пресече за време на работата, веднаш исклучете го и не го допирајте
- Никогаш не користете алат ако кабелот е оштетен; замената на кабелот мора да ја изврши стручно лице
- Секогаш проверувајте напонот да е ист со оној кој е назначен на плочката на алатот (алатите за напон од 230V или 240V исто така може да се поврзат и на напон од 220V)
- Овој алат не е соодветен за брусење во влажна средина
- **Не обработувајте никаков материјал кој содржи азбест** (азбестот важи за предизвикувач на рак)
- Прашината од материјали како боја која содржи олово, некои видови дрво, минерали и метали, може да биде штетна за здравјето (контактот со прашината или нејзиното вдишување може да шредизвика алергии и/или болести на дишните органи за оној кој работи со алатот или луѓето во близина); **носете маска за прашина и работете со правосмукалки доколку можете да ги поврзете**
- Некои видови на прашина се канцерогени (како на пример прашината од даб или бука), особено заедно со адитиви за одржување на дрвото; **носете маска за прашина и работете со правосмукалки доколку можете да ги поврзете**
- Следете ги процедурите на вашата земја за прашина која се јавува како резултат од материјалите со кои работите
- При брусење на метал доаѓа до појава на искри; не користете кутија за прашина/правосмукалка а останатите лица и запалливи материјали треба да се наоѓаат подалеку од местото каде се работи
- Не допирајте ја брусната хартија која се движи
- Не користете истрошена, избена или многу зачепена брусна хартија
- Носете заштитни ракавици, заштитни очила, тесна облека и заштита за коса (доколку имате долга коса)
- **Обезбедете се алатот да е исклучен од струја пред да вршите било какво подесување или замена на приборот**

## УПОТРЕБА

- Потпорни перничиа
  - никогаш не користете го алатот без потпорната подлошка А или В, или основната плоча С
  - користете ја точната потпорна подлошка за соодветната апликација (видете Совети за апликациите)
  - ! **заменете ги оштетените потпорни перничиа веднаш**
- Менување потпорни подлошки ④
  - извадете ја шмирглата за пескарее од ВЕЛКРО
  - извадете го шрафот на перничето D со инбус Е
  - поставете ја потпорната подлошка А или В како што е прикажано
  - доколку е потребно, најпрво исчистете го потпорното перниче
  - затегнете го шрафот на перничето D со инбус Е
  - ! **држете ја потпорната подлошка цврсто додека го разлабавувате/затегнувате шрафот на перничето D**
  - ! **исклучете го алатот од струја пред**

**отстранување/вметнување на потпорните перничиа**

- ! **шрафот на перничето D се вжештува во тенот на работата; не допирајте го пред да се излади**
- Поставување на брусната хартија ⑤
  - ! **извлечете го приклучокот ако кабелот**
  - поставете шмиргла за пескарее од ВЕЛКРО како што е прикажано
  - ! **за вшмукување на прашина е потребна перфорирана брусна хартија**
  - ! **перфорацијата на брусната хартија треба да е соодветна на перфорацијата на брусната плоча**
  - ! **навремено заменете ја истрошената брусна хартија**
  - ! **целосната површина за брусење треба да биде прекриена со брусна хартија кога ќе го користите алатот**
- Прекинувач со две брзини ⑥
  - алатот вклучете/исклучете го со поместување на прекинувачот F ② напред/назад (3 позиции)
    - 0 = исклучено
    - 1 = пониска брзина
    - 2 = повисока брзина
  - изберете ја позицијата 1 за прецизно брусење (кога работите со делта-врв G или специјални додатоци за брусење H, J или K)
  - изберете ја позицијата 2 за брзо брусење
  - ! **алатот треба да го вклучите пред брусната површина да го допре местото каде ќе работите**
  - ! **уредот треба да се подигне од работната површина пред тој да биде исклучен**
- Поставување специјални приклучоци за пескарее (не се вклучени во приборот) ⑦
  - поставете ја основната потпора C (слично на поставување на потпорните подлошки)
  - поставете го додатокот H, J или K на основната потпора C и затегнете со вртење на копчето L во правецот на стрелките на часовникот
  - поставете ја соодветната шмиргла за пескарее од ВЕЛКРО на приклучокот за пескарее
  - извадете ги додатоците или сменете ја нивната позиција со вртење на копчето L во правец обратно од стрелките на часовникот
  - 5 позиции за пескарее
- Вшмукување прашина ⑧
  - редовно празнете ја кутијата за прашина M за оптимално собирање на прашина
  - За употреба на правосмукалка
    - извадете ја вреќата за прашина M со притискање на копчето N и држете го во таа позиција додека ја влечете вреќата наназад
    - поврзете ја правосмукалната за продолжетокот P
    - ! **не користете ја кутијата за прашина/ правосмукалната за собирање прашина кога брусите метал**
- Држење и насочување на алатот ⑨
  - држете го алатот паралелно со површината која ја обработувате
  - ! **не применувајте многу притисок врз алатот и оставете ја површината за чистеење да ја заврши работата за вас**

- не го навалувајте алатот за да избегнете појава на несакани траги од брусењето

**! додена работите, секогаш држете го алатот за местото (местата) кое (кои) се означени со сива боја**

- отворите за ладење Q ② држете ги отворени

## СОВЕТИ ЗА ПРИМЕНА

- Користете го алатот со делта-врвот насочен напред за закосени, тесни и други тешко достапни места ⑩
- Користете го алатот со рамната страна насочена напред за долги потези на рамни површини ⑪
- За брусење закривени површини како и за брусење со голема моќ за отстранување, користете го алатот во комбинација со потпорна подлошка A ②
- Користете го алатот со специјалните приклучоци за пескареење за недостапни места ⑫
- Флексибилната шмиргла за пескареење е наменета за
  - заоблување на површини со рабови ⑬а
  - сите заоблени површини со максимален дијаметар од 10 см ⑬б
- Кога делта-врвот G е изабен или оштетен на врвот, може да му го продолжите рокот на употреба за двапати ако го извадите, го свртите за 120° и да го вратите на место (применливо е и за делта-шмирглата за пескареење) ⑭
- Никогаш не користете ја истата брусна хартија и за дрво и за метал
- Препорачана рапавост на брусната хартија
  - груба - за отстранување боја, за пескареење исклучително грубо дрво
  - средна - за пескареење грубо или рамно дрво
  - фина - за мазнење дрво, за завршување на површината на оголено дрво, за мазнење површини со стара боја
- Користете разни големини на шмиргли кога површината е груба:
  - започнете да пескарите со груба или средна шмиргла
  - завршете со фината шмиргла
- Многу други совети можете да најдете на [www.skil.com](http://www.skil.com)

## ОДРЖУВАЊЕ/СЕРВИСИРАЊЕ

- Овој алат не е наменет за професионална употреба
- Алатот и кабелот секогаш да се одржуваат чисти (особено отворите за ладење Q ②)
  - со четкичка отстранете ја насобраната прашина од брусењето
- **! пред чистење извадете го алатот од приклученост**
- Доколку алатот и покрај внимателното работење и контрола некогаш откаже, поправката мора да ја изврши некој овластен SKIL сервис за електрични алати
  - во случај на примедба, испратете го алатот **нерасклопен**, заедно со сметкопотврдата, до вашиот продавач или најблискиот SKIL сервис (адресите се наведени на [www.skil.com](http://www.skil.com))

## ЗАШТИТА НА ЖИВОТНАТА СРЕДИНА


- **Не се ослободувајте од електрични алати, уреди или амбалажа преку нивно фрлање во домашното ѓубре** (само за земјите на ЕУ)
  - според Европската Директива 2002/96/EC за ослободување од електрична и електронска опрема и нејзина имплементација во согласност со националните закони, електричните алати кои го достигнале крајот на својот животен век мора да бидат собрани посебно и да бидат вратени во соодветен објект за рециклирање
  - симболот ⑮ ќе ве потсетува на ова кога ќе дојде време алатот да го фрлите

## ДЕКЛАРАЦИЈА ЗА УСОГЛАСЕНОСТ СЕ

- Со целосната наша одговорност изјавуваме дека овој производ е во согласност со следниве стандарди или стандардизирани документи: EN 60745, EN 61000, EN 55014, во согласност со одредбите од директивите 2004/108/EG, 2006/42/EG, 2011/65/EU
- **Технично досие во:** SKIL Europe BV (PT-SEU/ENG1), 4825 BD Breda, NL

Marijn van der Hoofden  
Operations & Engineering

Olaf Dijkgraaf  
Approvals Manager

  
SKIL Europe BV, 4825 BD Breda, NL  
19.08.2013

## БУЧАВА/ВИБРАЦИИ

- Мерено во согласност со EN 60745 нивото на звучен притисок е 75 dB(A) а нивото на звучна моќност 86 dB(A) (стандардно отстапување: 3 dB), и вибрација 10,7 m/c<sup>2</sup> (hand-arm метода; несигурност K = 1.5 m/c<sup>2</sup>)
- Нивото на емитирање на вибрации кое е наведено на задниот дел на ова упатство е измерено во согласност со стандардизираниот тест даден во EN 60745; може да се користи за да се спореди еден алат со друг, и како првична оценка за изложеноста на вибрации кога се користи алатот за споменатите примени
  - користењето на алатот за разни примени, или со различни или неправилно чувани делови, може да доведе до значајно **зголемување** на нивото на изложеност
  - кога алатот е исклучен или кога алатот е вклучен но не врши некаква работа, може да дојде до значително **намалување** на нивото а изложеност
- **! заштитете се од ефектите на вибрациите преку одржување на алатот и неговите делови, одржување на топлината во вашите раце, и организирање на вашата работа**

## Smeriluese me shumë funksione 7220

### HYRJE

- Kjo pajisje është e projektuar për smerilimin në të thatë dhe lustrimin e drurit, sipërfaqeve të lyera, plastikës dhe materialeve mbushëse
- Kjo vegël nuk është e projektuar për përdorim profesional
- Lexoni dhe ruani këtë manual të përdorimit ③

### TË DHËNAT TEKNIKE ①

#### ELEMENTET E PAJISJES ②

- A Fleta mbështetëse për smerilimin e shumëfishtë
- B Fleta mbështetëse për smerilimin në orbitë të rastësishme
- C Pllaka e bazës për lidhjet e mjeteve të smerilimit\*
- D Vida e fletës
- E Çelësi heksagonal
- F Çelësi me dy shpejtësi
- G Maja delta
- H Lidhja louvre\*
- J Mjeti shtesë elastik i smerilimit\*
- K Mjeti shtesë i gishtit\*
- L Çelësi për montimin e mjeteve shtesë të smerilimit\*
- M Kutia e pluhurave
- N Çelësi për heqjen e kutisë së pluhurave
- P Zgjatimi për fshesën me korrent
- Q Të çarat e ajrosjes

\* JO STANDARDE E PËRFSHIRË

## SIGURIA

### UDHËZIMET E PËRGJITHSHME PËR SIGURINË

**⚠ PARALAJMËRIM! Lexoni të gjitha paralajmërimet e sigurisë dhe të gjitha udhëzimet.** Mosrespektimi i paralajmërimeve dhe udhëzimeve mund të rezultojë në goditje elektrike, zjarr dhe/ose dëmtime të rënda. **Ruani të gjitha paralajmërimet dhe udhëzimet për referencë në të ardhmen.** Termi "pajisje elektrike" në paralajmërimi i referohet pajisjes elektrike që përdoret nga priza (me kablo) ose pajisjes elektrike me bateri (pa kablo).

#### 1) SIGURIA E ZONËS SË PUNËS

- a) **Mbajeni zonën e punës të pastër dhe të ndriçuar mirë.** Zonat e çrregullta ose të errëta janë një ftesë për aksidente.
- b) **Mos i përdorni pajisjet elektrike në situata me mundësi shpërthimi, si në prani të lëngjeve, gazeve ose pluhurave të djegshëm.** Pajisjet elektrike shkaktojnë shkëndija që mund të ndezin pluhurat ose avujt.
- c) **Mbajini fëmijët dhe personat e tjerë larg gjatë përdorimit të veglës së punës.** Tërheqja e vëmendjes mund të shkaktojë humbjen e kontrollit.

#### 2) SIGURIA ELEKTRIKE

- a) **Spinat e veglës së punës duhet të përputhen me**

**prizën. Mos modifikoni kurrë spinën në asnjë mënyrë. Mos përdorni asnjë spinë përshtatëse me veglat e punës me tokëzim.** Spinat e pamodifikuara dhe prizat përshtatëse do të zvogëlojnë rrezikun e goditjes elektrike.

- b) **Shmangni kontaktin trupor me sipërfaqe të tokëzuara si tuba, radiatorë, soba dhe frigoriferë.** Ka një rrezik më të madh të goditjeve elektrike nëse trupi është i tokëzuar.
- c) **Mos ekspozoni veglat e punës në shi ose në kushte me lagështi.** Uji që hyn në veglën e punës do të rritë rrezikun e goditjes elektrike.
- d) **Mos abuzoni me kordonin. Mos e përdorni kurrë kordonin për transportin, tërheqjen ose heqjen e spinës së veglës së punës.** Mbajeni kordonin larg nga nxehtësia, vaji, anët e mprehta ose pjesët që lëvizin. Kordonët e dëmtuar ose e bllokuar rrisin rrezikun e goditjes elektrike.
- e) **Kur përdorni një vegël pune në mjedise të jashtme, përdorni një kordon zgjatues të përshtatshëm për përdorim në mjedise të jashtme.** Përdorimi i një kordoni të përshtatshëm për përdorime në mjedise të jashtme zvogëlon rrezikun e goditjes elektrike.
- f) **Nëse përdorimi i veglës së punës në një vend me lagështi është i pashmangshëm, përdorni një automat qarku me shkarkesë me tokëzim.** Përdorimi i një automati me shkarkesë me tokëzim zvogëlon rrezikun e goditjes elektrike.

#### 3) SIGURIA PERSONALE

- a) **Qëndroni në gatishmëri, shikoni se çfarë po bëni dhe përdorni gjykimin kur përdorni një vegël pune.** Mos e përdorni një vegël pune kur jeni i lodhur ose nën ndikimin e ilaçeve, alkoolit ose mjekimit. Një moment humbje e vëmendjes gjatë përdorimit të veglave të punës mund të shkaktojë dëmtime të rënda personale.
- b) **Përdorni pajisje personale mbrojtëse. Mbani gjithmonë pajisje për mbrojtjen e syve.** Pajisjet mbrojtëse si maska kundër pluhurit, këpucët që nuk rrëshqasin, kaskat ose pajisjet për mbrojtjen e veshëve për kushtet përkatëse do të zvogëlojnë dëmtimet personale.
- c) **Parandaloni ndezjen e rastësishme. Sigurohuni që çelësi është në pozicionin fikur para se të lidhni burimin e energjisë dhe/ose baterinë, para se të merrni ose të transportoni pajisjen.** Transportimi i veglave të punës me gishtin në çelës ose aktivizimi i veglave të punës që kanë çelësin të ndezur është një ftesë për aksidente.
- d) **Hiqni çdo çelës ose çelës përshtatës para ndezjes së veglës së punës.** Një çelës i lënë i lidhur me një pjesë rrotulluese të veglës së punës mund të shkaktojë dëmtime personale.
- e) **Mos u zgjasni. Mbani një vendosje të mirë të këmbëve dhe një ekuilibër të mirë në çdo moment.** Kjo gjë bën të mundur një kontroll më të mirë të veglës së punës në situata të papritura.
- f) **Vishuni në mënyrën e duhur. Mos vishni veshje të gjera ose bizhuteri. Mbani flokët, veshjet dhe dorashkat larg nga pjesët lëvizëse.** Veshjet e gjera, bizhuteritë ose flokët e gjatë mund të kapen nga pjesët në lëvizje.
- g) **Nëse janë ofruar pajisje për lidhjen e pajisjeve të**

**mbledhjes dhe nxjerrjes së pluhurave, sigurohuni që ato të jenë të lidhura dhe të përdoren si duhet.**

Përdorimi i mbledhjes së pluhurave mund të zvogëlojë rrezikun në lidhje me pluhurat.

#### 4) PËRDORIMI DHE KUJDESI PËR VEGLËN E PUNËS

- a) **Mos ushtroni forcë mbi veglën e punës.** Përdorni veglën e punës të duhur për përdorimin tuaj. Vegla e punës e duhur do të realizojë një punë më të mirë dhe më të sigurt dhe me shpejtësinë që ajo është e projektuar.
- b) **Mos përdorni veglën e punës nëse çelësi nuk e ndez apo e fik.** Çdo vegël pune që nuk mund të kontrollohet me anë të çelësit është e rrezikshme dhe duhet të riparohet.
- c) **Shkëputni spinën nga burimi i energjisë dhe/ose baterinë nga vegla e punës para se të bëni rregullime të tjera, të ndryshoni aksesorët ose të ruani veglat e punës.** Këto masa parandaluese të sigurisë ulin rrezikun e ndezjes aksidentale të veglës së punës.
- d) **Mbani veglat e punës larg fëmijëve dhe mos lejoni personat e pamësuar me veglën e punës ose këto udhëzime për përdorimin e pajisjes.** Veglat e punës janë të rrezikshme në duart e përdoruesve të patrajnuar.
- e) **Mirëmbani veglat e punës. Kontrolloni për mospërshtatje ose bllokim të pjesëve lëvizëse, thyerje të pjesëve dhe gjendje të tjera që mund të ndikojnë në funksionimin e veglës së punës.** Nëse dëmtohet, riparoheni veglën e punës para përdorimit. Shumë aksidente shkaktohen nga veglat e punës jo të mirëmbajtura si duhet.
- f) **Mbajni pajisjet prerëse të pastra dhe të mprehta.** Pajisjet e prerjes të mirëmbajtura dhe me anë të mprehta kanë më pak mundësi për t'u bllokuar dhe janë më të lehta për t'u kontrolluar.
- g) **Përdorni veglat e punës, aksesorët dhe puntot, etj. në përputhje me këto udhëzime, duke marrë parasysh kushtet e punës dhe punën që do të kryhet.** Përdorimi i veglave për përdorime të ndryshme nga ato të përcaktuara mund të shkaktojë rreziqe.

#### 5) SHËRBIMI

- a) **Shërbimi i veglës së punës duhet të kryhet nga një person i kualifikuar për riparimet duke përdorur vetëm pjesë ndërrimi identike.** Kjo gjë do të sigurojë ruajtjen e sigurisë së veglave të punës.

#### UDHËZIMET PËR SIGURINË PËR SMERILUESET

- Shmangni dëmtimet që mund të shkaktohen nga vidat, gozhdët dhe elementet e tjera në materialin e punës; hiqni ato para se të filloni punën
- Mbajeni gjithmonë kordonin larg nga pjesët e lëvizshme të veglës; drejtojeni kordonin në anën e pasme, larg nga vegla
- **Sigurori materialin e punës** (një material i shtrenguar me një pajisje shtrengimi ose morskë mbahet në mënyrë më të sigurt se sa me dorë)
- Kur ta largoni pajisjen, fikeni motorin dhe sigurohuni që të gjitha pjesët lëvizëse të kenë nduar plotësisht
- Përdorni kordonë të pahapur dhe të sigurt për zgjatime, me një kapacitet 16 amper
- Në rast të një defekti elektrik ose mekanik, fikni menjëherë pajisjen dhe hiqni spinën
- SKIL mund të garantojë funksionimin pa probleme të

veglës vetëm kur përdoren aksesorët origjinalë

- Kjo pajisje nuk duhet të përdoret nga personat nën moshën 16 vjeç
- Niveli i zhurmës gjatë punës mund të kalojë 85 dB(A); mbani mbrojtëse për veshët
- Nëse kordoni dëmtohet ose pritët gjatë punës, mos e prekni kordonin por hiqni menjëherë spinën
- Mos e përdorni kurrë veglën kur kordoni është i dëmtuar; zëvendësojeni nga një person i kualifikuar
- Kontrolli gjithmonë që voltazhi i energjisë të jetë i njëjtë si voltazhi që tregohet në etiketën e veglës (veglat me klasifikimin 230 V ose 240 V mund të lidhen po ashtu me një burim 220 V)
- Kjo vegël nuk është e përshtatshme për smerilim në lagështi
- **Mos punoni me materiale që përmbajnë asbest** (asbesti konsiderohet kancerogjen)
- Pluhurat nga materialet si boja me plumb, disa lloje drurësh, mineralësh dhe metalësh mund të jenë të dëmshme (kontakti ose thithja e pluhurave mund të shkaktojë reagime alergjike dhe/ose sëmundje respiratore për përdoruesin ose personat përreth); **mbani një maskë për pluhurat dhe punoni me një pajisje për heqjen e pluhurave kur mund të lidhet**
- Disa lloje pluhurash skanë klasifikuar si kancerogjene (si pluhuri i lisit dhe i ahut) veçanërisht në ndërthurje me lëndët shtesë për kondicionimin e drurit; **mbani një maskë për pluhurat dhe punoni me një pajisje për heqjen e pluhurave kur mund të lidhet**
- Respektoni kërkesat kombëtare në lidhje me pluhurat për materialet me të cilat dëshironi të punoni
- Kur smeriloni metale, krijohen shkëndija; mos përdorni kuti pluhurash/fshesë me korrent dhe mbajini personat tjerë dhe materialet e djegshme larg nga zona e punës
- Mos e prekni fletën e smerilimit në lëvizje
- Mos vazhdoni të përdorni fletët e smerilimit të konsumuara, të çara ose shumë të bllokua
- Mbani doreza mbrojtëse, syze mbrojtëse, rroba të ngushta dhe mbrojtëse për flokët (për flokët e gjatë)
- **Shkëputni gjithmonë spinën nga burimi i energjisë para kryerjes së rregulimeve ose ndryshimeve të aksesorëve**

#### PËRDORIMI

- Mbështetëset
  - mos e përdorni kurrë pajisjen pa fletën mbështetëse A apo B, apo pllakën e bazës C
  - përdorni fletën e duhur mbështetëse për përdorimin përkatës (shikoni Këshilla për përdorimin)
- ! **zëvendësoni menjëherë fletat mbështetëse të dëmtuara**
- Ndërrimi i fletëve mbështetëse ④
  - hiqni fletën e smerilimit VELCRO
  - hiqni vidën e fletës D me çelësin heksagonal E
  - montoni fletën mbështetëse A ose B si në ilustrim
  - nëse është e nevojshme, pastroni fillimisht fletën mbështetëse
  - shtrëngoni vidën e fletës D me çelësin heksagonal E
- ! **mbajeni fort fletën mbështetëse ndërsa lironi/shtrengoni vidën e fletës D**
- ! **hiqeni veglën nga spina para se të hiqni/montoni fletat mbështetëse**
- ! **vida e fletës D nxehet gjatë përdorimit; mos e prekni para se të jetë ftohur**

- Montomi i fletës së smerilimit ⑤  
! **hiqni spinën**  
- montoni fletën e smerilimit VELCRO si në ilustrim  
! **thithja e pluhurit kërkon përdorimin e fletëve të smerilimit me vrima**  
! **vrimat në fletën e smerilimit duhet të përputhen me vrimat në këmbën e smerilimit**  
! **ndërrojini fletët e konsumuara të smerilimit në kohën e duhur**  
! **përdorni gjithmonë pajisjen me të gjithë sipërfaqen e smerilimit të mbuluar me letërën e smerilimit**
- Çelësi me dy shpejtësi ⑥  
- ndizeni/fikeni pajisjen duke e shtyrë çelësin F ② përpara/prapa (3 pozicione)  
0 = fikje  
1 = shpejtësi e ulët  
2 = shpejtësi e lartë  
- zgjidhni pozicionin 1 për smerilim me saktësi (kur punoni me majën delta G ose me mjetet e veçanta të smerilimit H, J ose K)  
- zgjidhni pozicionin 2 për smerilim të shpejtë  
! **para se sipërfaqja e smerilimit të arrijë të materiali i punës, duhet ta ndizeni pajisjen**  
! **para se ta fikni veglën, ju duhet ta ngrini atë nga materiali i punës**
- Montimi i lidhjeve të veçanta të smerilimit (**nuk janë perfshire**) ⑦  
- montoni pllakë e bazës C (e ngjashme me montimin e fletëve mbështetëse)  
- montoni mjetin shtesë H, J ose K në pllakë e bazës C dhe shtrëngojeni duke e rrotulluar çelësin L në drejtim orar  
- montoni fletën përkatëse VELCRO të smerilimit te pajisja shtesë e smerilimit  
- hiqni mjetet shtesë ose ndryshoni pozicionin e tyre duke rrotulluar çelësin L në drejtim antiorar  
- 5 pozicionet e smerilimit
- Thithja e pluhurave ⑧  
- boshatisni rregullisht kutinë e pluhurave M për një rendiment optimal në mbledhjen e pluhurave  
Për përdorimin e fshesës me korrent  
- hiqni kutinë e pluhurave M duke shtypur dorezën N dhe mbajeni në atë pozicion ndërsa tërhiqni kutinë e pluhurave prapa  
- lidhni fshesën me korrent në pjesën e zgjatimit P  
! **mos përdorni kutinë e pluhurave/fshesën me korrent kur smeriloni materiale**
- Mbajtja dhe drejtimi i veglës ⑨  
- lëizeni pajisjen paralel me sipërfaqen e punës  
! **mos ushtroni shumë trysni mbi pajisje; lëreni sipërfaqen e smerilimit që të punojë për ju**  
- mos e anoni veglën për të shmangur shenja të padëshiruara nga smerilimi  
! **gjatë punës, mbajeni gjithmonë veglën në zonën(at) e dorezës me ngjyrë gri**  
- mbajini të çarët e ajrimit Q ② të pambuluara

## KËSHILLË PËR PËRDORIMIN

- Përdorni veglën me majën delta përpara për cepa, vende të ngushta ose vende të vështira për t'i arritur ⑩
- Përdorni veglën me anën e rrafshët përpara për lëvizje të gjata në sipërfaqe të rrafshëta ⑪

- Për smerilimin e materialeve të harkuara si dhe smerilimin me një rendiment të lartë në heqje, përdorni veglën në kombinim me fletën mbështetëse A ⑫
- Përdorni veglën me pajisjet speciale shtesë të smerilimit për vendet e vështira për t'i arritur ⑬
- Pajisja shtesë elastike e smerilimit është e projektuar për  
- rumbullakosjen e sipërfaqeve në anë ⑬a  
- të gjitha sipërfaqet e rumbullakosura me një diametër maksimal prej 10 cm ⑬b
- Kur maja delta G konsumohet ose dëmtohet në majë, mund ta zgjasni jetëgjatësinë e saj duke e hequr, duke e rrotulluar 120° dhe duke e vendosur përsëri (e vlefshme edhe për fletën e smerilimit delta) ⑭
- Mos përdorni kurrë të njëjtën fletë smerilimi për dru dhe për metale
- Aftësitë gërryese të rekomanduara për fletën e smerilimit:  
i ashpër - për heqjen e bojës; për smerilimin e drurit jashtëzakonisht të ashpër  
mesatar - për smerilimin e drurit të ashpër ose të thjeshtë  
i imët - për zbutjen e drurit; për lustrimin e drurit të zhveshur; për lustrimin e sipërfaqeve me bojë të vjetër
- Përdorni nivele të ndryshme të aftësisë gërryese kur sipërfaqja e punës është e ashpër:  
- filloni smerilimin me aftësi gërryese të ashpër ose mesatare  
- lustroni me aftësi gërryese të imët
- Për më shumë këshilla, vizitoni [www.skil.com](http://www.skil.com)

## MIRËMBAJTJA / SHËRBIMI

- Kjo vegël nuk është e projektuar për përdorim profesional
- Mbajeni gjithmonë veglën dhe kordonin të pastër (veçanërisht të çarët e ajrosjes Q ②)  
- hiqni pluhurin e smerilimit që ngjitet me anë të një furçe  
! **shkëputni spinën para pastrimit**
- Nëse pajisja ka defekt pavarësisht kujdesit në prodhim dhe qendërat e provave, riparimi duhet të kryhet nga një qendër e shërbimit pas shitjes për veglat e punës të SKIL  
- dërgoni veglën të çmontuar së bashku me vërtetimin e blerjes të shitësi ose te qendra më e afërt e shërbimit e SKIL (adresat si dhe diagrami i shërbimit i veglës janë të paraqitura në [www.skil.com](http://www.skil.com))

## MJEDISI

- **Mos i hidhni veglat elektrike, aksesoret dhe paketimin së bashku me materialet e mbeturinave familjare** (vetëm për vendet e BE-së)  
- në respektim të Direktivës evropiane 2002/96/EC për pajisjet elektrike dhe elektronike si mbetje dhe zbatimin e saj në përputhje me ligjet kombëtare, pajisjet elektrike që kanë arritur në fund të jetëgjatësisë së tyre duhet të mblihen të ndara dhe të kthehen në një objekt riciklimi në përputhje me mjedisin.  
- simboli ⑮ do t'ju kujtojë për këtë gjë kur të jetë nevoja për t'i hedhur



## DEKLARATA E KONFORMITETIT CE

- Ne deklarojmë me përgjegjësinë tonë të vetme se ky produkt është në përputhje me standardet dhe dokumentet e standardizuara si më poshtë: EN 60745, EN 61000, EN 55014 në përputhje me dispozitat e direktivave 2004/108/EC, 2006/42/EC, 2011/65/EU
- **Dosja teknike në:** SKIL Europe BV (PT-SEU/ENG1), 4825 BD Breda, Holandë

Marijn van der Hoofden  
Operations & Engineering

Olaf Dijkgraaf  
Approvals Manager



SKIL Europe BV, 4825 BD Breda, NL

19.08.2013

### ZHURMA/VIBRIMI

- E matur në përputhje me EN 60745, niveli i trysnisë së tingullit i kësaj pajisje është 75 dB(A) dhe niveli i fuqisë së tingullit 86 dB(A) (shmangia standarde: 3 dB) dhe vibrimi 10,7 m/s<sup>2</sup> (metoda e krahut-dorës; pasiguria K = 1,5 m/s<sup>2</sup>)
- Niveli i emetimit të vibrimit është matur në përputhje me një provë të standardizuar të dhënë në EN 60745; ajo mund të përdoret për të krahasuar një vegël me një tjetër dhe si një vlerësim paraprak i ekspozimit ndaj vibrimit kur përdorni pajisjen për proceset e përmendura
  - përdorimi i pajisjes për procese të ndryshme, ose me aksesorë të ndryshëm dhe të mirëmbajtur keq, mund të rritë ndjeshëm nivelin e ekspozimit
  - kohët kur pajisja është e fikur dhe kur është e ndezur por jo në punë, mund të zvogëlojnë ndjeshëm nivelin e ekspozimit

**! mbronni veten nga efektet e vibrimit duke mirëmbajtur pajisjen dhe aksesorët e saj, duke mbajtur duart e ngrohta dhe duke organizuar mënyrën tuaj të punës**

#### صد ارتعاشات

- اندازه گیری ها بر اساس استاندارد EN ۱۰۷۴۵ انجام و مشخص شد که میزان فنشار صوتی این ابزار ۷۵ دسی بل و میزان توان صوتی آن ۸۶ دسی بل (با انحراف استاندارد: ۳ دسی بل) و میزان ارتعاشات ۱۰,۷ متر/مجدور ثانیه می باشد (شیوه دست-بازو، عدم قطعیت  $K = 1,5$  متر/مجدور ثانیه)
  - میزان انتشار ارتعاشات بر اساس تست استاندارد شده ای که در EN ۱۰۷۴۵ معرفی شده است اندازه گیری گردید: از این ارقام می توان برای مقایسه یک ابزار با دیگری و بعنوان ارزیابی اولیه در معرض قرارگیری ارتعاشات هنگام کار با ابزار در کاربری های فوق استفاده کرد
  - استفاده کردن از ابزار برای کاربردهای متفاوت، یا با لوازم و متعلقات متفاوتنفرقه یا لوازم و متعلقاتی که بد نگهداری شده اند، می تواند میزان در معرض قرارگیری را بطور قابل ملاحظه ای افزایش دهد
  - مواقعی که ابزار خاموش است یا روشن است ولی کاری با آن انجام نمی شود. میزان در معرض قرارگیری بطور قابل توجهی کاهش می یابد
- !** با نگهداری مناسب از ابزار و لوازم و متعلقات آن، گرم نگهداشتن دست های خود، و سازمان دهی طرح های کاری می توانید خود را در برابر اثرات ارتعاش محافظت کنید

- برای حرکت های بلند روی سطوح تخت از قسمت تخت ابزار رو به جلو استفاده کنید (1)
- برای سنباده زنی قطعه کارهای انحادار و نیز برای اینکه حجم برداشت سنباده زنی افزایش یابد از ابزار همراه با صفحه زیرین استفاده کنید (A) (2)
- برای نقاطی که دسترسی به آنها دشوار است از ضمامم ویژه سنباده زنی استفاده کنید (1)
- ضمیمه منقطع سنباده زنی برای
  - گرد کردن سطوح لبه دار طراحی شده است (P)
  - کلیه سطوح گرد شده با حداکثر قطر 10 سانتیمتر (b)
- هنگامی که بالای نوک مثلثی G ابزار فرسوده یا خراب می شود، می توانید آنرا بردارید. 120 درجه بچرخانید و در جای خود قرار دهید تا برای مدتی دیگر کار کند (همین کار را می توان برای کاغذ سنباده های مثلثی نیز انجام داد) (4)
- هرگز از یک کاغذ سنباده یکسان برای چوب و فلزات استفاده نکنید
- درجه بندی پیشنهادی کاغذ سنباده:
  - زبر - برای برداشتن رنگ: برای سنباده زنی چوب های بسیار زمخت
  - متوسط - برای سنباده زنی چوب زمخت یا هوار
  - نرم - برای سنباده زنی چوب: پرداخت کاری چوب تخت: نرم کردن سطوحی که رنگ کهنه دارند
- اگر سطح خیلی زمخت است از چند نوع درجه بندی استفاده کنید:
  - ابتدا با درجه بندی زیر یا متوسط سنباده بزنید
  - کار را با درجه بندی نرم به پایان برید
- برای نکات بیشتر به [com.skil.www](http://com.skil.www) مراجعه کنید

## نگهداری / سرویس - خدمات

- این ابزار برای مصارف حرفه ای مناسب نیست
- همیشه ابزار و سیم برق را تمیز نگهدارید (بخصوص شیارهای تهویه (Q) (1))
- گردهای چسبیده سنباده را با یک برس پاک کنید
- **پیش از تمیز کردن سیم برق را از برق بکشید**
- اگر ابزار علیرغم تمام وقت و مراقبتی که در فرایندهای تولید و تست بکار برده شده از کار افتاد، تعمیرات باید فقط در مراکز خدمات پس از فروش ابزارهای برقی SKIL انجام شود
- ابزار را بصورت بازنشده همراه با رسید خرید به فروشنده یا نزدیک ترین مرکز خدمات رسانی SKIL بفرستید (آدرسها به همراه نمودار نقشه های سرویس ابزار در [com.skil.www](http://com.skil.www) موجود است)

## محیط زیست

- ابزارهای برقی، لوازم و مللعلیقات و بسته بندی آنها را نباید همراه با زباله های عادی خانگی دور انداخت (فقط مخصوص کشورهای عضو اتحادیه اروپا)
- با توجه به مصوبه اروپایی 2002/96/EC اروپا درباره لوازم برقی و الکترونیکی مستعمل و اجرای این مصوبه مطابق با قوانین کشوری، ابزارهای برقی که به پایان عمر مفید خود رسیده اند باید جداگانه جمع آوری شده و به یک مرکز بازیافت مناسب و سازگار با محیط زیست انتقال یابند
- نمادعلامت (1) یادآور این مسئله در هنگام دور انداختن است

## اعلامیه مبنی بر رعایت استاندارد (C)

- ما بر اساس مسئولیت انحصاری خود اعلام می نمایم که این محصول با استانداردهای ایمنی مستند است. استاندارد شده زیر سازگاری و تطابق دارد: EN 10745, EN 11000, EN 55014 مطابق با مفاصصوبات 2004/10/EC, 2006/12/EC, EU/01/11
- پرونده فنی در: NL, Breda BD 4825, SKIL Europe BV (PT-SEU/ENG)

Marijn van der Hoofden Olaf Dijkgraaf  
Operations & Engineering Approvals Manager




SKIL Europe BV, 4825 BD Breda, NL  
19.08.2013

- عوض کردن صفحات زیرین (4)
- کاغذ سنباده چسبی را بردارید
- پیچ صفحه D را با آچار آلن E باز کنید
- صفحه زیرین A یا B را مطابق شکل سوار کنید
- در صورت لزوم، ابتدا صفحه زیرین را تمیز کنید
- پیچ صفحه D را با آچار آلن E سفت کنید
- ! **هنگام شل کردن/بستن پیچ صفحه D باید صفحه زیرین را محکم بگیرد**
- ! **قبل از برداشتن/قرار دادن صفحات زیرین سیم برق ابزار را بکشید**
- ! **پیچ صفحه D در حین استفاده بسیار داغ می شود؛ قبل از خنک شدن به آن دست نزنید**
- سوار کردن کاغذ سنباده (5)
- ! **سیم برق را از برق جدا کنید/بکشید**
- کاغذ سنباده چسبی را مطابق شکل قرار دهید
- به دلیل قابلیت مکش گرد و غبار این دستگاه باید حتماً از کاغذ سنباده های سوواخدار استفاده کنید
- ! **سوواخهای روی کاغذ سنباده باید با سوواخهای زیره دستگاه سنباده زن هماهنگی داشته باشند**
- ! **کاغذ سنباده های مستعمل را به موقع عوض کنید**
- ! **همیشه موقع استفاده از ابزار باید کل سطح سنباده زنی آن با کاغذ سنباده پوشیده شده باشد**
- کلید دو سرعته (1)
- با فشار دادن کلید F (2) وضعیت 3 (وضعیت می توان ابزار را روشن/ خاموش کرد
  - 0 = خاموش
  - 1 = دور پایین
  - 2 = دور بالا
- برای سنباده زنی دقیق وضعیت 1 را انتخاب کنید (هنگام کار با نوک مثلثی G یا ضمامم ویژه سنباده زنی L, H یا K)
- برای سنباده زنی سریع وضعیت 2 را انتخاب کنید
- ! **شما باید ابزار را پیش از رسیدن سطح سنباده به قطعه کاری روشن کنید**
- ! **ابزار را باید قبل از خاموش کردن از روی قطعه کاری برداشت**
- قرار دادن ضمامم ویژه سنباده زنی (غیر استاندارد گنجانده شده) (V)
- صفحه پایه C را قرار دهید (مشابه قرار دادن صفحات زیرین)
- ضمیمه L, H یا K را روی صفحه پایه C قرار داده و سپس با چرخاندن کلید گردان L در جهت عقربه های ساعت آنرا محکم کنید
- کاغذ سنباده چسبی متناظر را روی ضمیمه سنباده زنی قرار دهید
- با چرخاندن کلید گردان L در جهت مکس حرکت عقربه های ساعت، ضمیمه ها را برداشته یا وضعیت آنها را تغییر دهید
- 5 وضعیت سنباده زنی
- مکش گرد و غبار (A)
- به منظور حفظ کیفیت بهینه جمع آوری باید جعبه جمع آوری گرد و غبار M را بطور مرتب خالی کنید
- برای استفاده از دستگاه مکش
- جعبه جمع آوری گرد و غبار M را با فشار دادن کلید گردان N و نگهداشتن آن در همان وضعیت و کشیدن همزمان جعبه جمع آوری گرد و غبار به عقب باز کنید
- جاروبرقی را به رابط P وصل کنید
- ! **هنگام سنباده زنی فلزات نباید از جعبه جمع آوری گرد و غبار/جاروبرقی استفاده کنید**
- نگهداشتن و هدایت ابزار (4)
- ابزار را موازی سطح کار حرکت دهید
- ! **فشار بیش از حد به ابزار وارد نکنید؛ بگذارید سطح سنباده به جای شما کار کند**
- برای جلوگیری از ایجاد ردهای ناخواسته سنباده هرگز ابزار را کج نکنید
- ! **هنگام کار باید همیشه ابزار را از جاهاهی دست خاکستری رنگ بگیرد**
- شیارهای تهویه (F) را مسدود نکنید

## توصیه های کاربردی

- برای قسمت های لبه دار، باریک و سایر نقاطی که دسترسی به آنها دشوار است از قسمت نوک مثلثی ابزار رو به جلو استفاده کنید (10)

ث) از سیم به درستی استفاده کنید. از سیم دستگاه برای کارهای چون حمل ابزار الکتریکی، ایوان کردن آن و یا خارج کردن دوشاخه از برق استفاده نکنید. دستگاه را در مقابل حرارت، روغن، لبه های تیز و بخش های متحرک دستگاه دور نگهدارید. کابل های آسیب دیده و یا گره خورده خطر شوک الکتریکی را افزایش می دهند.

ج) در صورتیکه با ابزار الکتریکی در محیط باز کار می کنید، تنها از کابل را بطی استفاده کنید که برای محیط باز مناسب باشد. کابل های رابط مناسب برای محیط باز، خطر برق گرفتگی را کم می کنند.

ح) در صورت لزوم کار با ابزار الکتریکی در محیط و اماکن مرطوب. در اینصورت باید از یک کلید حفاظتی جریان خطا و نشستی زمین (کلید قطع کننده اتصال با زمین) استفاده کنید. استفاده از کلید حفاظتی جریان خطا و نشستی زمین خطر برق گرفتگی را کمتر می کند.

۳) رعایت ایمنی اشخاص

ا) حواس خود را خوب جمع کنید، به کار خود دقت کنید و با فکر و هوش کامل با ابزار الکتریکی کار کنید. در صورت تکمیل و یا در صورتیکه مواد مخدر، الکل و دارو استفاده کرده اید، با ابزار الکتریکی کار نکنید. یک خطه بی توجهی هنگام کار با ابزار الکتریکی، می تواند جراحت های شدیدی به همراه داشته باشد.

ب) همواره از تجهیزات ایمنی شخصی استفاده کنید. همواره از عینک ایمنی استفاده کنید. استفاده از تجهیزات ایمنی مانند ماسک ایمنی، کفش های ایمنی ضد لغزش، کلاه ایمنی و گوشی ایمنی متناسب با نوع کار با ابزار الکتریکی، خطر مجروح شدن را تقلیل می دهد.

ت) مواظب باشید که ابزار الکتریکی بطور ناخواسته بکار نیفتد. قبل از وارد کردن دوشاخه دستگاه در پریز برق، اتصال آن به باطری برداشتن آن و یا حمل دستگاه، باید دقت کنید که ابزار الکتریکی خاموش باشد. در صورتیکه هنگام حمل دستگاه انگشت شما روی دکمه قطع و وصل باشد و یا دستگاه را در حالت روشن به برق بزنید، ممکن است سوانح کاری پیش آید.

ث) قبل از روشن کردن ابزار الکتریکی، باید همه ابزار های تنظیم کننده و آچار ها را از روی دستگاه بردارید. ابزار آچارهایی که روی بخش های چرخنده دستگاه قرار دارند، می توانند باعث ایجاد جراحت شوند.

ج) پیش از حد به آنها نزدیک نشوید. برای کار جای مطمئن برای خود انتخاب کرده و تعداد خود را از هم جدا کنید. به این ترتیب می توانید ابزار الکتریکی را در وضعیت های غیر منتظره بهتر تحت کنترل داشته باشید.

ح) لباس مناسب بپوشید. از پوشیدن لباس های فراخ و حمل زینت آلات خود داری کنید. موها، لباس و دستکش ها را از بخش های درحال چرخش دستگاه دور نگهدارید. لباس های فراخ، موی بلند و زینت آلات ممکن در قسمت های درحال چرخش دستگاه گیر کنند.

خ) در صورتیکه می توانید وسایل مکش گرد و غبار و یا وسیله جذب زائده را به دستگاه نصب کنید، باید مطمئن شوید که این وسایل نصب و درست استفاده می شوند. استفاده از وسایل مکش گرد و غبار، مصونیت شما را در برابر گرد و غبار زیاد تر می کند.

۴) استفاده صحیح از ابزار الکتریکی و مراقبت از آن

ا) از وارد کردن فشار زیاد روی دستگاه خود داری کنید. برای هر کاری، از ابزار الکتریکی مناسب با آن استفاده کنید. بکار گرفتن ابزار الکتریکی مناسب باعث می شود که بتوانید از توان دستگاه بهتر و با اطمینان بیشتری استفاده کنید.

ب) در صورت ایراد در کلید قطع و وصل ابزار برقی، از دستگاه استفاده نکنید. ابزار الکتریکی که نمی توان آنها را قطع و وصل کرد، خطرناک بوده و باید تعمیر شوند.

ت) قبل از تنظیم ابزار الکتریکی، تعویض متعلقات و یا کنار گذاشتن آن، دوشاخه را از برق کشیده و یا باطری آنرا خارج کنید. رعایت این اقدامات پیشگیری ایمنی از راه افقانه ناخواسته ابزار الکتریکی جلوگیری می کند.

ث) ابزار الکتریکی را در صورت عدم استفاده، از دسترس کودکان دور نگهدارید. اجازه ندهید که افراد نا وارد و یا اشخاصی که این دفتر چه راهنما را خوانده اند، با این دستگاه کار کنند. قرار گرفتن ابزار الکتریکی در دست افراد ناوارد و بی تجربه خطرناک است.

ج) از ابزار الکتریکی خوب مراقبت کنید. مواظب باشید که قسمت های متحرک دستگاه خوب کار کرده و گیر نکنند. همچنین دقت کنید که قطعات ابزار الکتریکی شکسته و یا آسیب دیده نباشند. قطعات آسیب دیده را قبل از شروع به کار تعمیر کنید. علت بسیاری از سوانح کاری، عدم مراقبت کامل از ابزارهای الکتریکی می باشد.

ح) ابزار برش را تیز و تمیز نگهدارید. ابزار برشی که خوب مراقبت شده و از لبه های تیز برخوردارند، کمتر در قطعه کار گیر کرده و بهتر قابل هدایت می باشند.

خ) ابزارهای الکتریکی، متعلقات، ابزار که روی دستگاه نصب می شوند و غیره را مطابق دستورالعمل این جزوه راهنما بطوری به کار بگیرید که با مدل این دستگاه تناسب داشته باشند. همچنین به شرایط کاری و نوع کار توجه کنید. کاربرد ابزار برقی برای موارد کاری که برای آن در نظر گرفته نشده است، می تواند شرایط خطرناکی را منجر شود.

۵) سرویس

ا) برای تعمیر ابزار الکتریکی فقط به متخصصین حرفه ای رجوع کرده و از وسایل بدکی اصل استفاده کنید. این باعث خواهد شد که ایمنی دستگاه شما تضمین گردد.

#### هشدارهای ایمنی برای دستگاه های سنبله زن

- پیچ ها، میخ ها و سایر اجزا دیگر می توانند به قطعه کاری شما آسیب بزنند؛ بنابراین پیش از شروع کار آنها را بردارید
- همیشه سیم برق را از بخشهای متحرک ابزار دور بگیرید؛ سیم را به سمت پشت، و دور از ابزار بگیرید
- قطعه کاری را به محکم کنید (اگر قطعه کاری را با گیره های یا گیره های رومیز ثابت کنید بسیار مطمئن تر از گرفتن آن با دست خواهد بود)
- وقتی که کار شما با ابزار تمام شد، حتماً موتور آنرا خاموش کرده و مطمئن شوید که تمام بخشهای متحرک آن از حرکت ایستاده اند
- سیم های رابط برق باید کاملاً باز شده و ایمن باشند. از سیم های با رده بندی 11 آمپر

در صورت بروز اشکالات برقی می توانید، فوراً ابزار را خاموش کرده و سیم برق آنرا از پریز بکشید

از پریز بکشید SKIL در صورتی که از متعلقات اصلی استفاده کنید عملکرد بدون مشکل ابزار را تضمین می نماید

افراد کمتر از 16 سال نباید با این دستگاه کار کنند

میزان صدای تولید شده توسط این ابزار در حین کار می تواند از 85 دسی بل بیشتر شود؛ از گوشی های محافظ استفاده کنید

اگر سیم برق آسیب دیده یا بریده شده باشد، هرگز به سیم دست نزنید. اما فوراً آنرا از پریز بکشید

وقتی که سیم برق ابزار آسیب دیده هرگز از آن استفاده نکنید و از یک فرد متخصص بخواهید آنرا برای عوض کند

همیشه مطمئن شوید که ولتاژ ورودی دستگاه برابر ولتاژی باشد که روی پلاک دستگاه نوشته شده است (ابزارهایی که ولتاژ ورودی آنها 230 یا 240 ولت مشخص شده است می توانند با برق 220 ولت هم کار کنند)

این ابزار برای سنبله زنی تر مناسب نیست

با موادی حاوی آزنیتس کار نکنید (آزنیتس سرطان زا است)

گرد و خاکی که از موادی مانند رنگ های حاوی سرب، برخی گونه های چوب، مواد معدنی و فلزات بلند می شود می تواند خطرناک باشد (ماس با این گرد و خاکی یا تنفس آنها می تواند در کاربران ابزار یا افراد نزدیک به محل کار واکنش های حساسیتی و یا بیماری های تنفسی ایجاد کند)؛ یک ماسک مخصوص گرد و خاک بزنید و در صورت امکان از یک وسیله مکش گرد و خاک استفاده کنید

برخی از گرد و خاکیها (مانند گرد و خاکی که از چوب بلوط یا راش بلند می شود) علی الخصوص در مجاورت افزودنی های مخصوص چوب، سرطان زا هستند؛ یک ماسک مخصوص گرد و خاک بزنید و در صورت امکان از یک وسیله مکش گرد و خاک استفاده کنید

از مقررات ملی مربوط به گرد و خاک موادی که می خواهید با آنها کار کنید پیروی نمایید

هنگام سنبله زنی فلزات، جرقه تولید می شود؛ از جعبه جمع آوری گرد و غبار/ جاروبرقی استفاده نکرده و افراد دیگر و مواد قابل اشتعال را از محل کار دور نگه دارید

به کافتن متحرک سنبله دست نزنید

از کاغذ سنبله های مستعمل، پاره یا انباشته از ذرات استفاده نکنید

از دستکش محافظ عینک ایمنی، لباسهای غیر گشاد و محافظ مو (برای موهای بلند)، استفاده کنید

قبل از هرگونه تنظیم یا تعویض کردن لوازم و ملحقهات حتماً باید سیم برق قطع را از پریز کشید

#### استفاده

- صفحات زیرین
- هرگز بدون فرار دادن صفحه زیرین A یا B، یا صفحه پایه C ابزار را روشن نکنید
- از صفحه زیرین مناسب برای کاربرد خود استفاده کنید (به توصیه های کاربردی مراجعه کنید)

! صفحات زیرین آسیب دیده را فوراً عوض کنید

## سنباده چند کاره

## مقدمه

- این ابزار صرفاً برای سنباده زنی خشک و پرداخت کاری چوب، سطوح رنگ شده، پلاستیک و بتونه طراحی شده است
- این ابزار برای مصارف حرفه ای مناسب نیست
- لطفاً این دفترچه راهنما را مطالعه کرده و نگهدارید (۳)

## مشخصات فنی (۱)

## اجزای ابزار (۲)

- A صفحه زیرین برای سنباده کاری چندمنظوره  
B صفحه زیرین برای سنباده کاری گرد لوزان  
C صفحه پایه برای ضمانت سنباده زنی\*  
D پیچ صفحه  
E آچار آلن  
F کلید دو سرعت  
G نوک مثلثی  
H ضمیمه حائل\*  
J ضمیمه معطف سنباده زنی\*  
K ضمیمه انگشتی\*  
L کلید گردان برای سوار کردن ضمانت سنباده زنی\*  
M جعبه جمع آوری گرد و غبار  
N دکمه باز کردن جعبه جمع آوری گرد و غبار  
P رابط اتصال جاروبرقی  
Q شماره ای تهویه

\* بصورت استاندارد ارائه نشده است

## ایمنی

## راهنمای ایمنی عمومی

**⚠ هشدار!** همه دستورات ایمنی و راهنمایی ها را بخوانید. احتیاطات ناشی از عدم رعایت این دستورات ایمنی ممکن است باعث برق گرفتگی، سوختگی و یا سایر جراحات های شدید شود. همه هشدار های ایمنی و راهنمایی ها را برای آینده خوب نگهداری کنید. هر جا در این راهنما از "ابزار الکتریکی" صحبت میشود، منظور ابزارهای الکتریکی (باسیم برق) و یا ابزارهای الکتریکی باتری دار (بدون سیم برق) می باشد.

## ایمنی محل کار

- (۱) محل کار خود را تمیز مرتب و مجهز به نور کافی نگهدارید. محیط کار نامرتب و کم نور میتواند باعث سوانح کاری شود.  
(ب) با ابزار الکتریکی در محیط هایی که در آن خطر انفجار وجود داشته و حاوی مایعات، گازها و غبارهای محترقه باشد، کار نکنید. ابزارهای الکتریکی جرقه های ایجاد می کنند که می توانند باعث آتش گرفتن گرد و بخار های موجود در هوا شوند.  
(ت) هنگام کار با ابزار الکتریکی، کودکان و سایر افراد را از دستگاه دور نگهدارید. در صورتیکه حواس شما پرت شود، ممکن است کنترل دستگاه از دست شما خارج شود.  
(۲) ایمنی الکتریکی  
(أ) دوشاخه ابزار الکتریکی باید با پریز برق تناسب داشته باشد. هیچگونه تغییری در دوشاخه ندهید. مبدل دوشاخه نباید همراه با ابزار الکتریکی دارای اتصال به زمین (ارت شده) استفاده شود. مبدل دوشاخه نباید همراه با ابزار الکتریکی دارای اتصال به زمین (ارت شده) استفاده شود.  
(ب) از تماس بدنی با قطعات دارای سیم اتصال به زمین (ارت شده) مانند لوله، شومیز، اجاق برقی و یخچال خود داری کنید. در صورتیکه بدن شما با سیم دارای اتصال به زمین (ارت شده) تماس پیدا کند، خطر برق گرفتگی بیشتر خواهد شد.  
(ت) دستگاه را با از بارن و رطوبت دور نگهدارید. نفوذ آب به ابزار الکتریکی، خطر شوک الکتریکی را افزایش می دهد.

ناعمه

- لتنعيم سطح الأخشاب؛ لتشطيب الأخشاب غير المزخرفة؛ لتنعيم الأسطح ذات الطلاء القديم
- استخدم أحجام صخور رميلية مختلفة عندما يكون سطح العمل خشن:
- ابدأ الصنفرة باستخدام الصخور الرملية الخشنة أو المتوسطة:
- قم بالتشطيب باستخدام صخور رميلية ناعمة:
- لزيد من النصائح زر موقعنا com.skil.www

## الصيانة / الخدمة

- لا يتم تصميم هذه الأداة للاستخدام الاحترافي:
- احرص دائماً على نظافة الأداة والسلك (وخصوصاً فتحات التهوية Q):
- قم بإزالة الغبار المتساقط من الخشب باستخدام فرشاة:
- ! أفضل القابس قبل التنظيف
- إذا تعذر تشغيل الأداة على الرغم من الحذر الشديد في إجراءات التصنيع والاختبار، فيجب القيام بالإصلاحات بواسطة مركز خدمة ما بعد البيع لأدوات الطاقة التابع لشركة SKIL.
- قم بإرسال الأداة دون تفكيكها بالإضافة إلى إثبات الشراء إلى البائع أو أقرب محطة خدمة SKIL (العناوين بالإضافة إلى مخطط الخدمة متاح على com.skil.www)

## البيئة المحيطة

- لا تتخلص من الأدوات الكهربائية والملحقات ومواد التغليف مع النفايات المنزلية (الدول الإتحاد الأوروبي فقط):
- وفقاً للتوجيه الأوروبي 2002/96/EC حول نفايات المعدات الكهربائية والإلكترونية وتطبيقه بالتوافق مع القانون المحلي، يجب جمع الأدوات الكهربائية منتهية الصلاحية بشكل منفصل وإرسالها إلى أحد منشآت إعادة التصنيع المتوافقة مع البيئة:
- سيذكر الرمز (E) بهذا عند الحاجة إلى التخلص من أية أداة:

## إعلان توافقة (C)

- إننا نعلن خت مسؤوليتنا وحدنا أن هذا المنتج مطابق للمعايير التالية أو الوثائق القياسية: EN 10745، EN 11000، EN 10145، وفقاً لأحكام توجيهات 2002/96/EC، 2002/95/EC، 2011/65/EC
- الملف الفني على: SKIL Europe BV (PT-SEU/ENG) 1، Breda BD 4825، NL

Marijn van der Hoofden  
Operations & Engineering

Olaf Dijkgraaf  
Approvals Manager

SKIL Europe BV, 4825 BD Breda, NL  
19.08.2013

## الضوضاء/الاهتزاز

- عند القياس بالتوافق مع EN 10745 يكون مستوى ضغط صوت هذه الأداة هو 75 ديسيبل (أ) ومستوى طاقة الصوت 82 ديسيبل (أ) (الانحراف المعياري: 3 ديسيبل، والاهتزاز 1.07 م/ث² (طريقة امتزاز اليد: K غير مؤكد = 1.5 م/ث²):
- تم قياس مستوى الاهتزازات بالتوافق مع الاختبار المعياري المحدد في EN 10745. يمكن استخدامه لقياس أداة بأداة أخرى وكتقييم تمهيدى للتعرض للاهتزاز عند استخدام الأداة في التطبيقات الموضحة:
- قد يؤدي استخدام الأداة في تطبيقات مختلفة أو مع ملحقات مختلفة أو ذات صيانة رديئة إلى زيادة مستوى التعرض بصورة كبيرة:
- إن الفترة الزمنية التي يتم خلالها إيقاف تشغيل الأداة أو عندما تكون قيد التشغيل لكنها لا تؤدي أية مهام، تؤدي إلى تقليل مستوى التعرض بصورة كبيرة:
- ! قم بحماية نفسك من تأثيرات الاهتزاز من خلال صيانة الأداة وملحقاتها. والحفاظ على بيديك دافنتين وتنظيم أحمال العمل لديك:

## تعليمات السلامة الخاصة بأدوات الصنفرة الرملية

- تجنب التلوث الذي قد تتسبب فيه البراغبي والمسامير والعناصر الأخرى الموجودة في القطعة التي تعمل بها. قم بفكهم قبل بدء العمل.
- حافظ دائمًا على بقايا السلك بعيدًا عن الأجزاء المتحركة بالأداة. ووجه السلك للخلف بعيدًا عن الأداة.
- ثبت قطعة العمل (الإسماك) بقطعة عمل مثبتة بأجهزة تثبيت أو في ملزمة أكثر أمانًا من مسكها باليد.
- عندما تضع الأداة جانبًا، أوقف تشغيل المحرك وتأكد من توقف جميع الأجزاء المتحركة بشكل تام
- استخدم أسلاك تمديد مفكوكة تمامًا وأمنة سعة ١٦ أمبير (١٣ أمبير في بريطانيا العظمى)
- في حالة حدوث خلل كهربائي أو ميكانيكي، أوقف تشغيل الأداة فورًا وأفضل القابض:
- تضمن SKIL التشغيل السليم للأداة فقط عند استخدام الملحقات الأصلية.
- لا يجب استخدام هذه الأداة من قبل الأشخاص الأقل من ١٦ عام.
- قد يزيد مستوى الضوضاء أثناء العمل عن ٨٥ ديسيبل (أ). لذا قم بارتداء واقبات للأذن
- في حالة تعرض السلك للتلوث أو لقطع أثناء العمل، لا تلمس السلك وأفضل القابض فورًا
- يحظر نهائيًا استخدام الأداة في حالة تلف السلك. بل قم باستبداله من قبل أحد الأفراد المؤهلين
- تأكد دائمًا من أن الفولت الزود هو نفسه المشار اليه على اللوحة الخاصة بالأداة (يمكن كذلك توصيل الأدوات ذات التصنيف ٢٣٠ فولت أو ٢٤٠ فولت بمصدر إمداد ٢٢٠ فولت):
- هذه الأداة غير مناسبة للصنفرة الرطبة
- لا تعمل باستخدام مواد تشتمل على الألبستوس (يعتبر الألبستوس مادة مسرطنة).
- الغبار الناتج من المواد كالطلاء الذي يحتوي على رصاص وبعض أنواع الأخشاب والمعادن والمكونات المعدنية قد يكون ضارًا (املاصة أو استنشاق الغبار قد تتسبب في إصابة المشغل أو من يجاوره بأمراض الحساسية وأو أمراض الجهاز التنفسي):
- قم بارتداء قناع الغبار مع العمل باستخدام جهاز شفط للغبار. طالما أمكن توصيله
- ثمة أنواع معينة من الغبار تُصنّف على أنها مواد مسببة للسرطان (مثل غبار خشب البليوط والزنان) خاصة عند استخدامها مع مواد مضافة لمعالجة الخشب: قم بارتداء قناع الغبار مع العمل باستخدام جهاز شفط للغبار. طالما أمكن توصيله
- التزم بالمتطلبات الوطنية الخاصة بالغبار عند العمل باستخدام المواد المطلوبة عند صنفرة المعادن. تتولد شرارة: لا تقم باستخدام صندوق الغبار/المكنسة الكهربائية واحرص على بقاء الأفراد والمواد الأخرى القابلة للاشتعال بعيدًا عن منطقة العمل:
- لا تلمس لوح الصنفرة المتحرك
- لا تستمر في استخدام ألواح الصنفرة التالفة أو المبرقة أو المسدودة بشكل كبير:
- قم بارتداء قفازات واقية ونظارات واقية وملابس محكمة على الجسم وواقفي الشعر (الشعر الطويل):
- احرص دائمًا على فصل القابض من مصدر الطاقة قبل القيام بأية عمليات ضبط أو تغيير أية ملحقات:

## الاستخدام

- حشيات داعمة
- لا تقم مطلقًا بتشغيل الأداة بدون استخدام الحشية الداعمة A أو B أو اللوحة الأساسية C:
- قم باستخدام الحشية الداعمة الصحيحة للاستخدام ذو الصلة (انظر توصيات الاستخدام):
- ! استبدل الحشيات الداعمة التالفة على الفور
- تغيير الحشيات الداعمة ④
- قم بإزالة لوح الصنفرة من VELCRO
- قم بإزالة مسمار الحشية D باستخدام مفتاح مسدس E:
- قم بتثبيت الحشية الداعمة A أو B كما هو موضح:
- وإذا لزم الأمر قم بتنظيف الحشية أولًا:
- قم بربط مسمار الحشية D باستخدام مفتاح مسدس E:
- ! قم بالإسماك بالحشية الداعمة بإحكام أثناء ربط مسمار الحشية D:
- ! أفضل الأداة قبل إزالة/تركيب الحشيات الداعمة:
- ! يصبح مسمار الحشية D ساخنًا أثناء الاستخدام، فلا تلمسه قبل أن يبرد:

## تركيب لوح الصنفرة ⑤

- ! أفضل القابض:
- قم بتثبيت لوح صنفرة فلكرو كما هو موضح في الشكل:
- ! يتطلب شطف الأثرية استخدام ألواح صنفرة مثقوبة:
- ! يجب أن تتوافق ثقب ألواح الصنفرة مع الثقوب الموجودة في طرف الصنفرة:
- ! قم باستبدال ألواح الصنفرة التالفة في الحال:
- ! قم دائمًا باستخدام الأداة أثناء تغطية سطح الصنفرة بالكامل بورق الصنفرة:
- مفتاح يسرعين ①
- قم بتشغيل/إيقاف تشغيل الأداة من خلال دفع الفتح F للأمام/للخلف ٣ أوضاع:
- ٠ = إيقاف التشغيل
- ١ = سرعة منخفضة
- ٢ = سرعة عالية
- اختر النوع ١ لصنفرة دقيقة (عند العمل باستخدام ملحقات الصنفرة ذات الطرف المثلث G أو الخاصة H و K):
- اختر النوع ٢ لصنفرة سريعة:
- ! قبل ملاصقة سطح الصنفرة لقطعة العمل، يجب عليك القيام بتشغيل الأداة:
- ! قبل إيقاف تشغيل الأداة، يجب أن ترفعها عن قطعة العمل:
- تركيب ملحقات الصنفرة الخاصة (لا تتوفر قياسيًا مع الأداة) ⑥
- تركيب اللوحة الأساسية C (بشكل مشابه لتركيب الحشيات الداعمة):
- تركيب الحلقة H أو J أو K على اللوحة الأساسية C وتثبيتها من خلال تدوير المقبض L في اتجاه عقارب الساعة:
- قم بتركيب لوح صنفرة VELCRO المتوافق لمحرك الصنفرة:
- إزالة الملحقات أو تغيير موضعها من خلال تدوير المقبض L في عكس اتجاه عقارب الساعة:
- ثلاثة أوضاع للصنفرة:
- شطف الغبار ⑦
- قم بتفريغ صندوق الغبار M بانتظام للحصول على أفضل أداء لالتقاط الغبار:
- لاستخدام المكنسة الكهربائية:
- قم بإزالة صندوق الغبار M من خلال الضغط على المقبض N وتثبيتته في هذا الوضغ مع جذب صندوق الغبار للخلف:
- وصل المكنسة الكهربائية بموضع التوصيل P
- ! لا تستخدم صندوق الغبار/المكنسة الكهربائية عند صنفرة المعادن:
- إمساك الأداة وتوجيهها ⑧
- قم بتوجيه الأداة بشكل موزي لسطح العمل:
- ! لا تضغط بشدة على الأداة، ودع سطح الصنفرة يقوم بالعمل:
- لا تقم بإزالة الأداة حتى تنفادى حدوث علامات صنفرة غير مرغوبة:
- ! أثناء العمل، امسك الأداة دائمًا من منطقة (مناطق) المقبض رمادية اللون:
- احرص على أن تكون فتحات التهوية Q غير مغطاة:

## توصيات الاستخدام

- قم باستخدام الأداة مع توجيه الطرف المثلث للأمام للمواضع ذات الحواف والضيقة والتي يصعب الوصول إليها ⑩:
- قم باستخدام الأداة مع توجيه الجانب المسطح للأمام للأشواط الطويلة على أسطح مسطحة ⑪:
- لصنفرة قطع العمل المنحنية وللصنفرة ذات القدرة العالية على الكشط قم باستخدام الأداة مع الحشية الداعمة A ⑫:
- قم باستخدام الأداة مع مرفقات الصنفرة الخاصة من أجل المواضع التي يصعب الوصول إليها ⑬:
- ملحق الصنفرة المرن مصمم من أجل
- أسطح ذات حواف مستديرة ⑭ a:
- جميع الأسطح المستديرة بحد أقصى للقطر مقداره ١٠ سم ⑮ b:
- عندما يتآكل الطرف المثلث G أو يتعرض للتلوث في الجزء العلوي، يمكنك مدّ عمُر الخدمة الخاص به بمقدار مرتين عن طريق إزالته وتدويره بزاوية ١٢٠ درجة ثم إعادته إلى موضعه (وبتطبيق الأمر كذلك على لوحة الصنفرة مثلثة الشكل) ⑯:
- لا تقم مطلقًا باستخدام نفس لوح الصنفرة للأخشاب والمعادن:
- صخور لوح الصنفرة الموصى بها:
- خشنة - لإزالة الطلاء: لصنفرة الأخشاب شديدة الخشونة
- متوسطة - لصنفرة الأخشاب الخشنة أو المسام

## مقدمة

- تم تصميم هذه الأداة للصنفرة الجافة وتنظيف الأخشاب والأسطح المطلية والبلاستيك والخشوات.
- لم يتم تصميم هذه الأداة للاستخدام الاحترافي؛
- اقرأ دليل التعليمات هذا واحفظ به (٣)

## المواصفات الفنية ①

## مكونات الأداة ②

- A الخشبة الداعمة للصنفرة متعددة الاستخدامات
- B الخشبة الداعمة للصنفرة الحادة العشوائية
- C اللوحة الأساسية للملحقات الصنفرة\*
- D مسامير الخشبة\*
- E مفتاح مسدس
- F مفتاح بيسرعتين
- G الطرف المثث
- H ملحق فتحات التهوية\*
- J ملحق الصنفرة المرن\*
- K ملحق الإصبع\*
- L مقبض لتثبيت ملحقات الصنفرة\*
- M صندوق الغبار؛
- N مقبض لإزالة صندوق الغبار؛
- P موضع توصيل المنسنة الكهربائية
- Q فتحات التهوية

- \* لا يتوفر قياسيًا مع الأداة

## أمان

## تعليمات السلامة العامة

**⚠ تحذير!** اقرأ جميع الملاحظات التحذيرية والتعليمات. إن ارتكاب الأخطاء عند تطبيق الملاحظات التحذيرية والتعليمات قد يؤدي إلى الصدمات الكهربائية. إلى نشوب الحرائق أو/أو الإصابة بجروح خطيرة. احتفظ بجميع الملاحظات التحذيرية والتعليمات للمستقبل. يقصد مصطلح "العدة الكهربائية" المستخدم في الملاحظات التحذيرية. العدة الكهربائية الموصولة بالشبكة الكهربائية بواسطة كابلات الشبكة الكهربائية) والبطارية الزائدة ببطارية (دون كابلات الشبكة الكهربائية).

## ① الأمان بمكان الشغل

- أ) حافظ على نظافة وحسن إضاءة مكان شغلك. الفوضى في مكان الشغل ومجاها العمل الغير خضاه قد تؤدي إلى حدوث الحوادث.
- ب) لا تشغل بالعدة الكهربائية في محيط معرض خطر الانفجار والذي تتوفر فيه السوائل أو الغازات أو الأغبرة القابلة للاشتعال. العدة الكهربائية تشكل الشر الذي قد يتطاير. فينشغل الأغبرة والأبخرة.
- ت) حافظ على بقاء الأطفال وغيرهم من الأشخاص على بعد عندما تستعمل العدة الكهربائية. قد تفقد السيطرة على الجهاز عند التلهي.

## ② الأمان الكهربائي

- أ) يجب أن يتلامس قابس وصل العدة الكهربائية مع القابس. لا يجوز تغيير القابس بأي حال من الأحوال. لا تستعمل القوابس المهيأنة مع العدة الكهربائية المؤرضة تأريض وقائي. تخفض القوابس التي لم يتم تغييرها والقابس الملائمة من خطر الصدمات الكهربائية.
- ب) تجنب ملامسة السطوح المؤرضة كالألأابيب ورايداتوات التدفئة والمدافئ أو البرادات بواسطة جسمك. يزداد خطر الصدمات الكهربائية عندما يكون جسمك موزر.
- ت) أبعد العدة الكهربائية عن الأمطار أو الرطوبة. يزداد خطر الصدمات الكهربائية إن تسرب الماء إلى داخل العدة الكهربائية.

- ت) يجب عدم إساءة استخدام الكابل. لا تسنّ استعمال الكابل لحمل العدة الكهربائية أو لتعليقها أو لسحب القابس من المقبس. حافظ على إبعاد الكابل عن الحرارة والزيت والحواف الحادة أو عن أجزاء الجهاز المتحركة. تزيد الكابلات التالفة أو المتشابكة من خطر الصدمات الكهربائية.
- ج) استخدم فقط كوابل التمديد الصالحة للإستعمال الخارجي أيضا عندما تشغل بالعدة الكهربائية في الحلاء. يخفض استعمال كابل تمديد مخصص للإستعمال الخارجي من خطر الصدمات الكهربائية.
- ح) إن لم يكن بالإمكان عدم تشغيل العدة الكهربائية في الأجواء الرطبة. فاستخدم مفتاح للوقاية من التيار المتردد. إن استخدام مفتاح للوقاية من التيار المتردد يقلل خطر الصدمات الكهربائية.

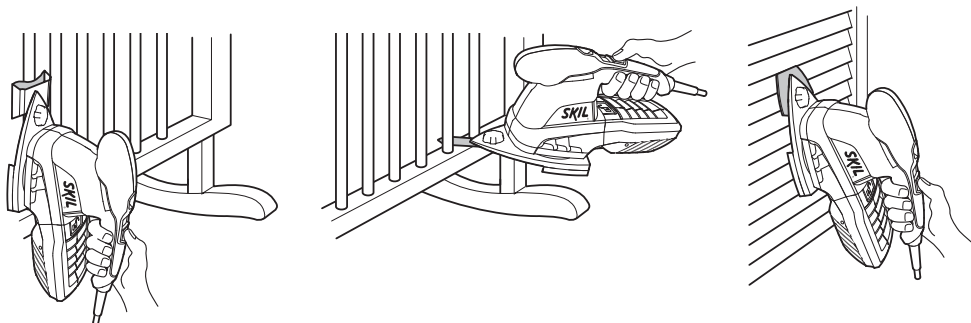
## ③ أمان الأشخاص

- أ) كن يقظا وأنتبه إلى ما تفعله وقم بالعمل بواسطة العدة الكهربائية بتعقل. لا تستخدم عدة كهربائية عندما تكون متعب أو عندما تكون تحت تأثير المخدرات أو الكحول أو الأدوية. عدم الإنتباه للحظة واحدة عند إستخدام العدة الكهربائية قد يؤدي إلى إصابة خطيرة.
- ب) ارتد عتاد الوقاية الخاص. وارتد دائما نظارات واقية. يجب إرتداء عتاد الوقاية الخاص. كتنظيف القوالب من الغبار وأخذية الأمان الواقية من الإرتطاق والحوذ واقية الأذنين. حسب نوع وإستعمال العدة الكهربائية. من خطر الإصابة بجروح.
- ت) تجنب التشغيل بشكل غير مقصود. تأكد من كون العدة الكهربائية مطفأة قبل وصلها بإمهاد التيار الكهربائي و/أو بالمركم. وقبل رفعها أو حملها. إن كنت تضع إصبعك على المفتاح أثناء حمل العدة الكهربائية أو إن وصلت الجهاز بالشبكة الكهربائية عندما يكون قيد التشغيل. فقد يؤدي ذلك إلى حدوث الحوادث.
- ث) انزع عنك الضبط أو مفتاح الربط قبل تشغيل العدة الكهربائية. قد تؤدي العدة أو الفتح المتواجد في جزء دوار من الجهاز إلى الإصابة بجروح.
- ج) تجنب أوضاع الجسم غير الطبيعية. قف بأمان وحافظ على توازنك دائما. سيسمح لك ذلك من السيطرة على الجهاز بشكل أفضل في المواقف غير المتوقعة.
- ح) ارتد ملابس مناسبة. لا ترتدي الثياب الضففاضة أو الخلي. حافظ على إبقاء الشعر والثياب والقفازات على بعد عن أجزاء الجهاز المتحركة. قد تتشابك الثياب الضففاضة والخلي والشعر الطويل بالأجزاء المتحركة.
- خ) إن جاز تركيب جهاز شفط وجميع الغبار فتأكد من أنها موصولة وأنه يتم استخدامها بشكل سليم. قد يقلل إستخدام جبهرات لشفط الأغبرة من المخاطر الناتجة عن الأغبرة.

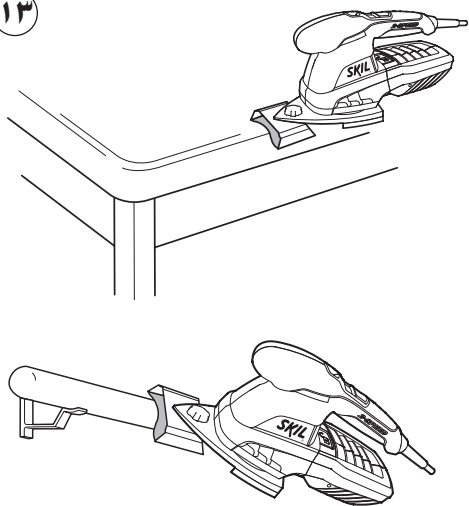
## ④ حسن معاملة واستخدام العدة الكهربائية

- أ) لا تفرط في تحميل الجهاز. إستخدم لتنفيذ أشغالك العدة الكهربائية المخصصة لذلك. إنك تعمل بشكل أفضل وأكثر أمانا بواسطة العدة الكهربائية الملائمة في مجال الأداء المذكور.
- ب) لا تستخدم العدة الكهربائية إن كان مفتاح تشغيلها تالف. العدة الكهربائية التي لم تعد تسمح بتشغيلها أو بإطافئها خطيرة ويجب أن يتم تصليحها.
- ت) اسحب القابس من المقبس و/أو انزع المركم قبل ضبط الجهاز وقبل إستبدال التوابع أو قبل وضع الجهاز جانباً. تمنع إجراءات الاحتياط هذه تشغيل العدة الكهربائية بشكل غير مقصود.
- ث) احتفظ بالعدد الكهربائية التي لا يتم إستخدامها بعيدا عن متناول الأطفال. لا تسمح بإستخدام العدة الكهربائية لمن لا خبرة له بها أو لمن لم يقرأ تلك التعليمات. العدة الكهربائية خطيرة إن تم استخدامها من قبل أشخاص دون خبرة.
- ج) اعتن بالعدة الكهربائية بشكل جيد. تفحص عما إذا كانت أجزاء الجهاز المتحركة تعمل بشكل سليم وأنها غير مستعصبة عن الحركة أو إن كانت هناك أجزاء مكسورة أو تالفة لدرجة تؤثر فيها على حسن أداء العدة الكهربائية. ينبغي تصليح هذه الأجزاء التالفة قبل إعادة تشغيل الجهاز. الكثير من الحوادث مصدرها العدة الكهربائية التي تم صيانتها بشكل ردي.
- ح) حافظ على إبقاء عدد القطع نظيفة وحادة. إن عدد القطع ذات حواف القطع الحادة التي تم صيانتها بعناية تتكليس بشكل أقل ويمكن توجيهها بشكل أيسر.
- خ) استخدم العدة الكهربائية والتوابع وعدد الشغل والرخ حسب هذه التعليمات. تراعى أثناء ذلك شروط الشغل والعمل المراد تنفيذه. استخدام العدة الكهربائية لتغير الأشغال المخصصة لأجلها قد يؤدي إلى حدوث الحالات الخطيرة.
- هـ) اخدمته
- أ) اسمح بتصليح عدتك الكهربائية فقط من قبل المتخصصين فقط باستخدام قطع الغيار الأصلية. يؤمن ذلك المحافظة على أمان الجهاز.

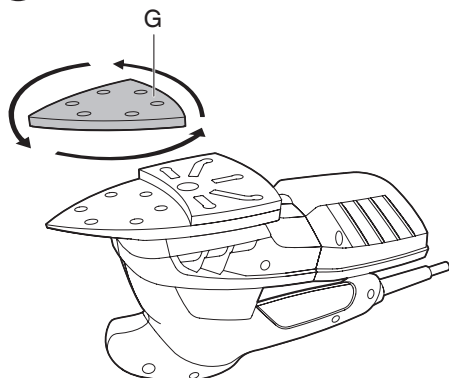
١٢



١٣



١٤



١٥

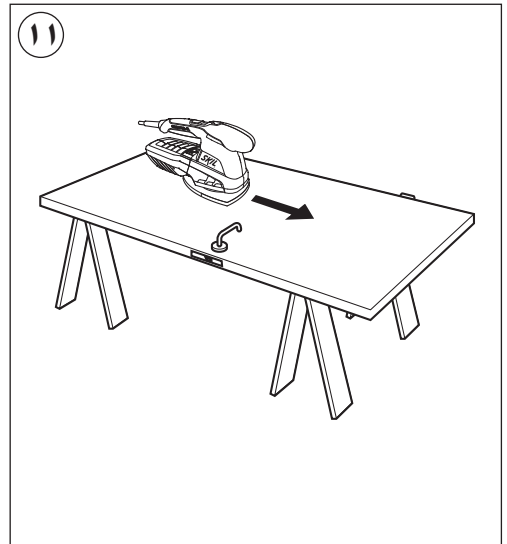
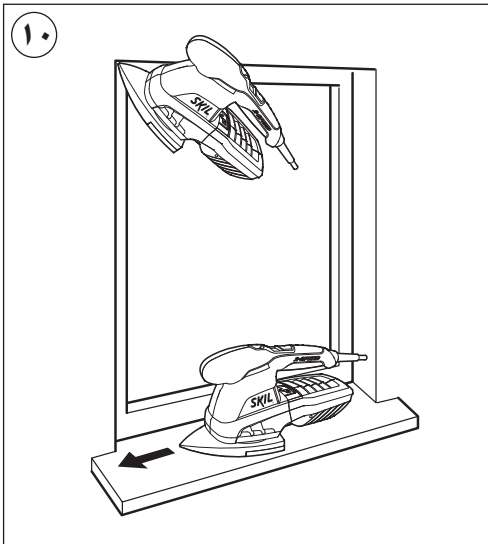
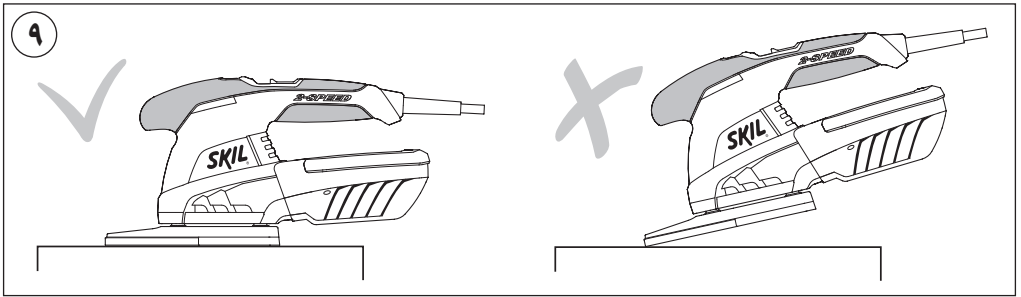
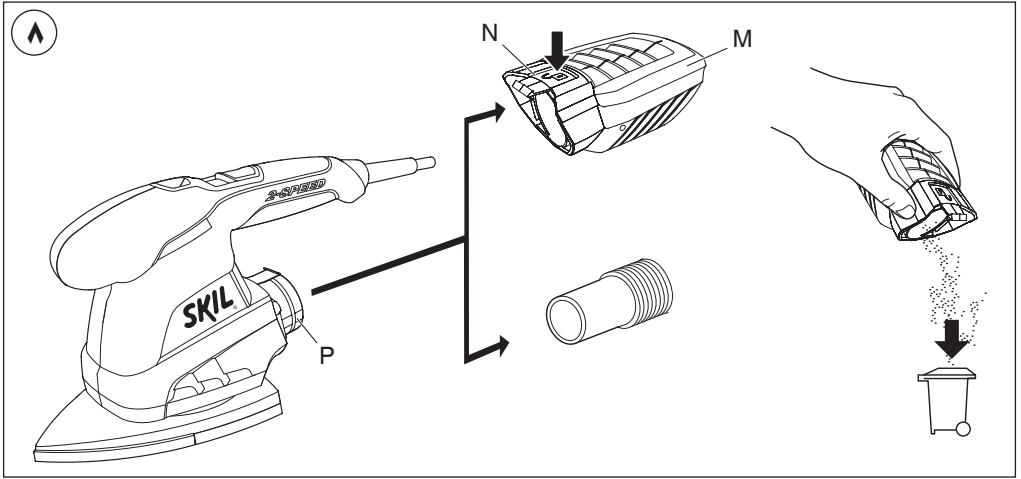


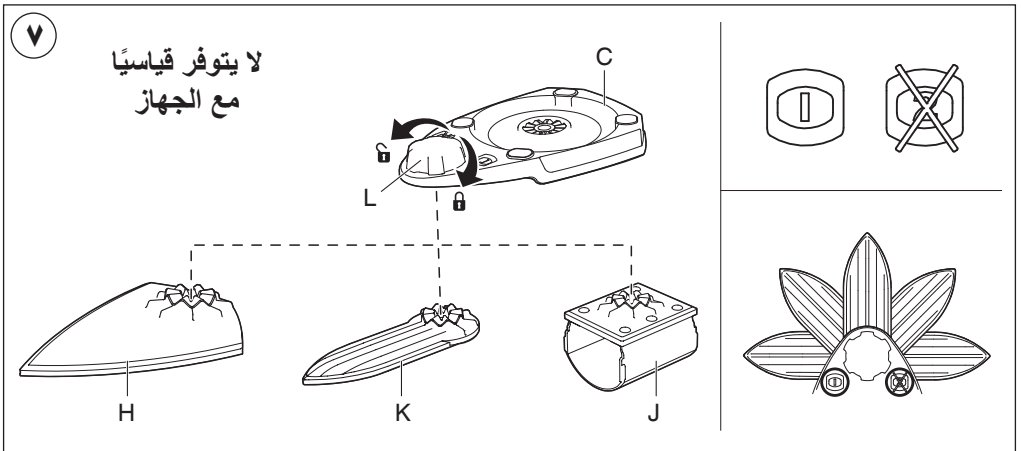
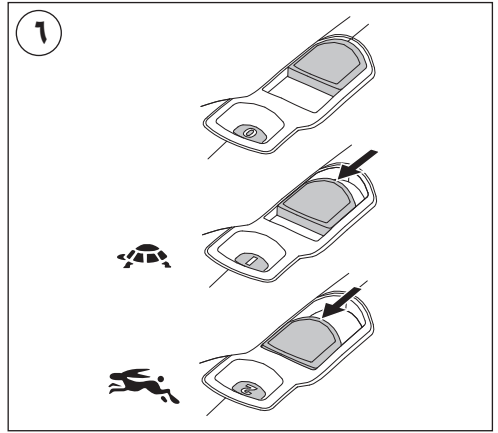
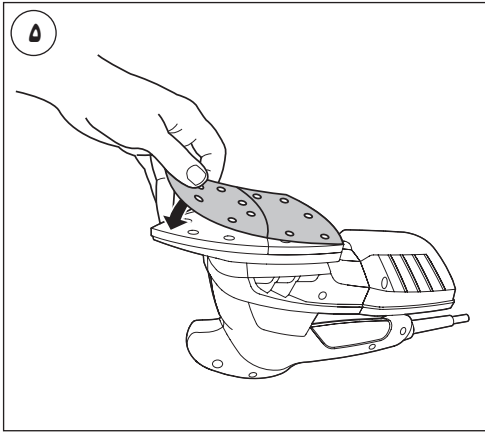
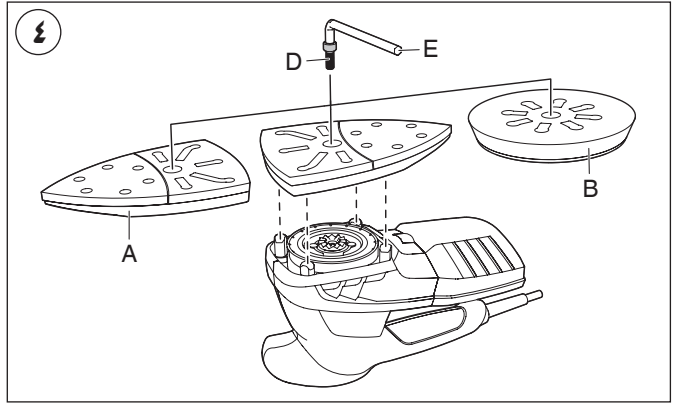
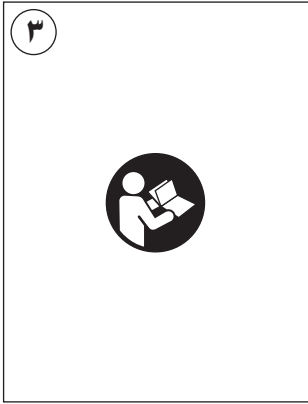
COM.SKIL.WWW



الملحقات



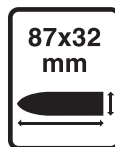
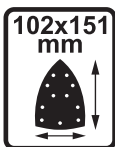
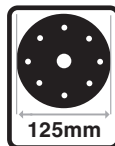
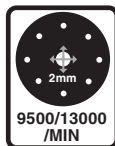
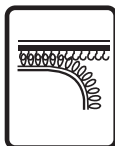




7220

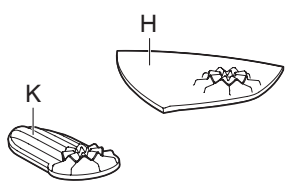
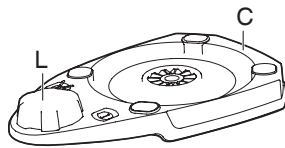
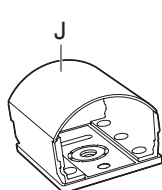
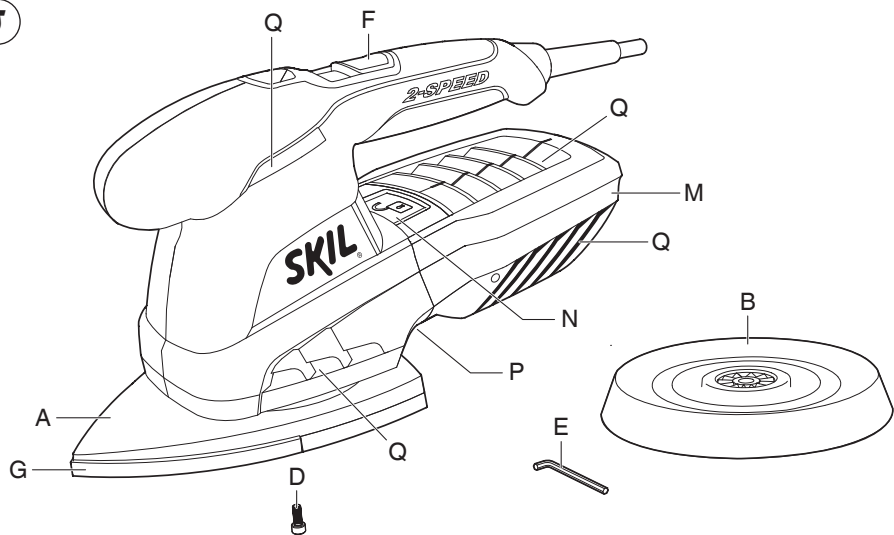
250  
Watt

1,3 kg  
EPTA 01/2003



230  
-  
240  
V~  
50-60 Hz

2



لا يتوفر قياسياً  
مع الجهاز

أداة الصنفرة المتعددة الاستخدامات

7220

**SKIL**



دليل الاستعمال

AR

راهنماي اصلي

FA



2610Z03780

08/13

سكيل أوروبا ب.د. - كونينانبرج 60  
4825 ب.د. بريدا - هولندا



Сертификат о соответствии  
RU C-NL.ME77.B.00494  
Срок действия сертификата о соответствии  
по 25.06.2018  
ООО «Центр по сертификации  
стандартизации и систем качества  
электро-машиностроительной продукции»  
141400, Химки Московской области  
ул. Ленинградская, 29