

Playing with the wind has become not only easy and comfortable, it's a lot of fun too! The senz° xl is the greatest performer of the senz° family. It easily slices its way through all winds, from an afternoon breeze to strong autumn gusts and does not go inside out. Apparently, size does matter!

Due to its aerodynamic design, the senz° storm umbrellas always find the most comfortable position in the wind. The smart design prevents the umbrella from turning inside out and makes it windproof up to 100 km/h! The senz° xl has especially been designed for the visionary golfer: it's perfect for following your golf partner's ball flight, and its use requires barely any strength!

The senz° xl is the bigger brother of the senz° original umbrella, winner of multiple international design awards! Not only do you see better with the senz° xl, but you also look better!

## features

### canopy

The water repellent pongee fabric provides UV protection, while the drops of rain easily slide off.

### flexible ribs

The patented construction allows the senz° storm umbrellas to withstand winds up to 100 km/h, without going inside out!

### eyesaver

The eyes of fellow pedestrians are protected by these unique rib tips. Finally, no more umbrella eye-poking!

### elastic cord

The flexible senz° cord provides an easy and comfortable carrying experience.

### aerodynamic shape

The aerodynamic shape of the senz° storm umbrella allows you to play with the wind with unmatched comfort, while maintaining the best possible rain protection.

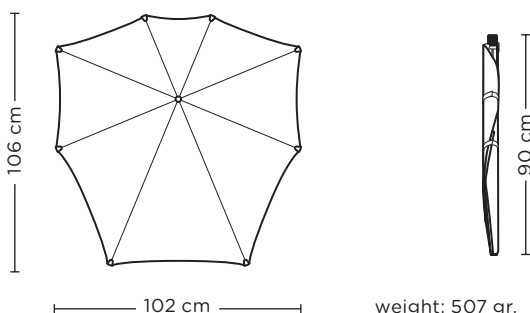
### vision

The shorter front end provides great visibility, so bumping into other umbrella users is a thing of the past!

### handle

The oversized handle combines a comfortable grip with an innovative pull down opening system.

## dimensions



## materials

