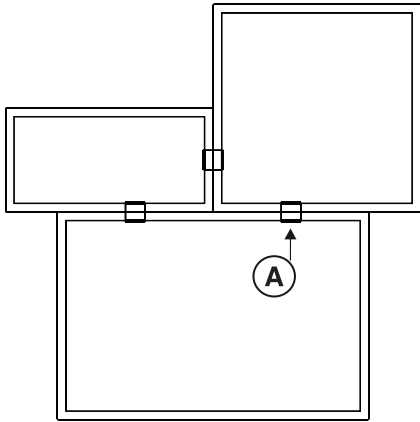


ASSEMBLY INSTRUCTION

STACKED BY JDS ARCHITECTS



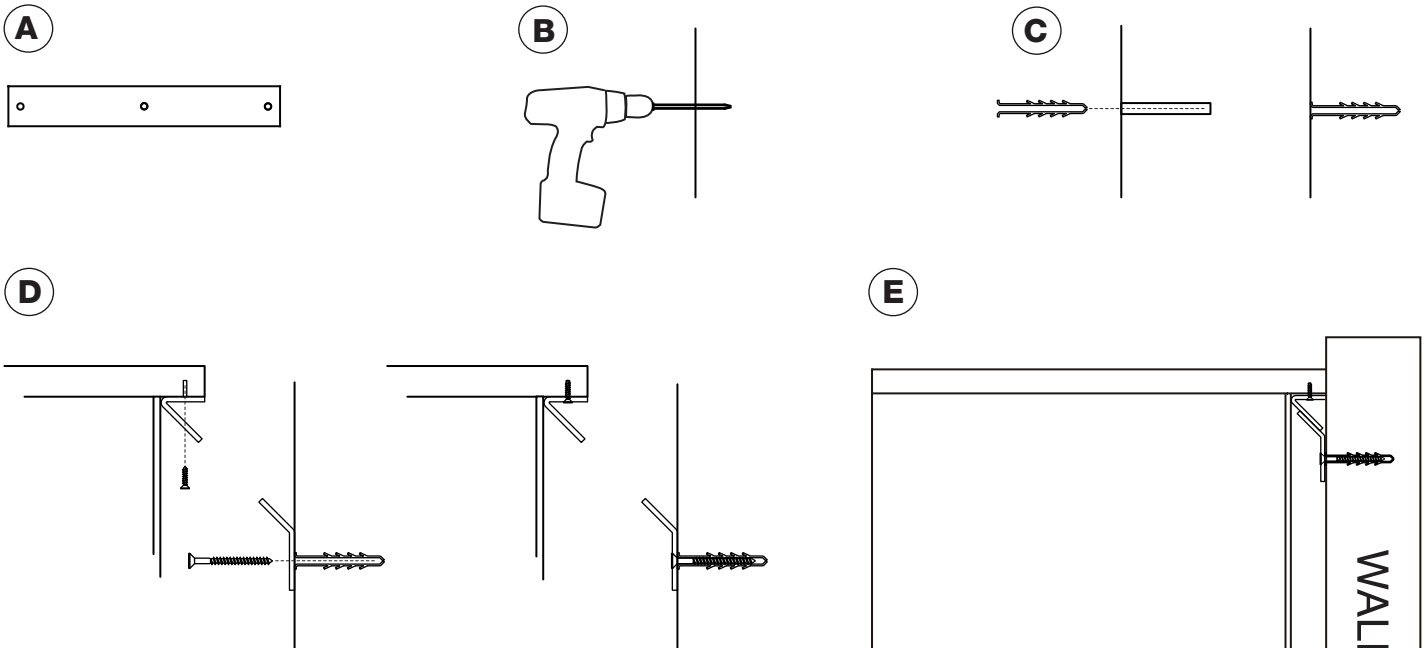
STACKED - FLOOR VERSION

ARRANGE THE MODULES ACCORDING TO YOUR PREFERENCES

CLIPS CAN BE USED TO STRENGTHEN THE SYSTEM

ENSURE THAT THE MODULES ARE STABLE BEFORE ADDING THE CLIPS

CLIPS CAN BE PLACED VISIBLY IN THE FRONT OR HIDDEN IN THE BACK OF THE MODULES



STACKED - WALL MOUNTED

USE RAIL TO MARK DRILLING POSITIONS (A)

DRILL THE HOLES (B)

USE PLUGS (C)

RAIL MOUNTING ON STACKED CUBES

PLACE THE RAILS AS SHOWN AND FASTEN WITH THE SCREWS (D)

PLACE THE STACKED MODULE ON TOP OF THE WALL RAIL (E)