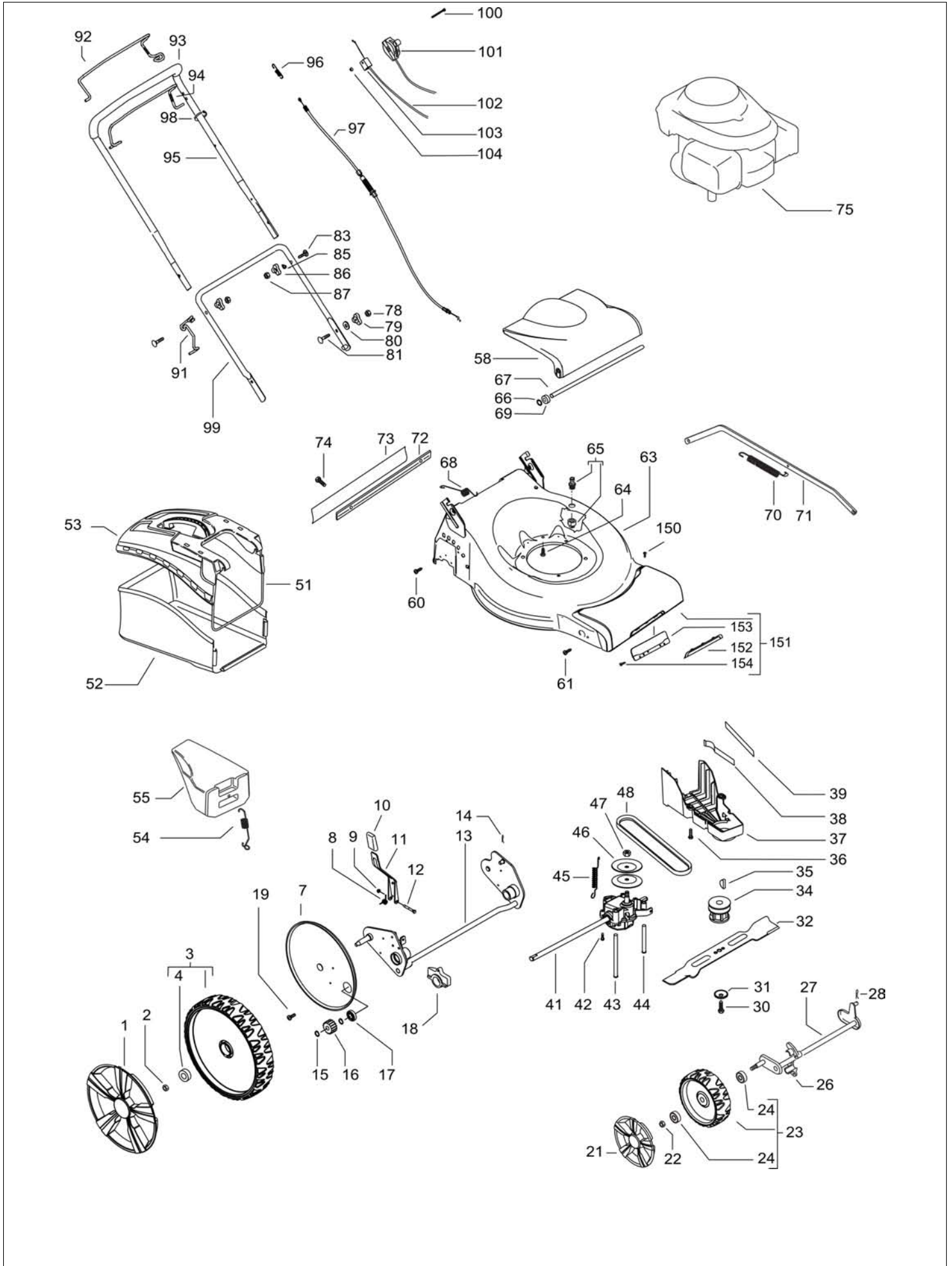


<b>PNC</b>	<b>ML</b>	<b>Model</b>	<b>Brand</b>
966654001	00	M53-875CMDW-R	McCulloch

**Number of Pages 1 of 3**

<b>Factory:</b>	<b>IIQ - Valmadrera</b>	<b>Product Group:</b>	<b>OP 93</b>
<b>Publication Number:</b>	<b>MIPL2011_V060000002</b>	<b>Petrol Portable</b>	
<b>Publication Date:</b>	<b>07/02/11</b>	<b>Sub Group</b>	<b>1071</b>

HUSQVARNA ITALIA SPA



## HUSQVARNA ITALIA SPA

Item	PN	Description	Qty	Item	PN	Description	Qty
1	574 39 66-01	wheel cover Ø280	2	60	531 20 66-77	screw 4.8x19, self threading	2
2	504 85 78-01	nut M8, self locking, flanged	2	61	525 43 31-01	screw 4x16, self threading	4
3	574 45 12-01	wheel assy Ø280	2	63	576 93 56-02	deck	1
4	504 54 82-01	ball bearing	4	64	531 21 28-51	screw 3/8" + split washer	3
7	504 53 99-01	dust shield Ø280	2	65	531 20 58-48	snap on connector 1/2"	1
8	531 21 08-17	spring, wheel regulator lever	1	66	531 20 76-57	starlock	2
9	531 20 84-92	nut M5, self locking	1	67	531 20 50-60	safety flap bar	1
10	574 61 05-01	handle, wheel regulator	1	68	531 20 59-99	spring	1
11	501 97 99-01	wheel regulator lever	1	69	531 20 57-32	spacer	1
12	538 23 58-07	screw M5x45	1	70	531 20 61-73	wheel regulation spring	1
13	576 71 72-01	rear axle	1	71	531 20 61-71	wheel regulation bar	1
14	531 20 66-53	cotter pin	1	72	577 48 24-01	rail skirt	1
15	531 20 87-72	seeger	4	73	577 48 25-01	skirt	1
16	544 34 23-01	gear	2	74	531 20 78-56	screw 5x10	2
17	531 20 87-78	ball bearing	2	75	————	engine, Briggs & Stratton, model number 122R020120	1
18	531 20 59-44	rear axle housing	2	78	531 20 79-82	nut M8	2
19	531 20 78-56	screw M5x10	4	79	531 20 49-23	knob	2
21	574 39 64-01	wheel cover Ø190	2	80	531 20 49-22	washer	2
22	504 85 78-01	nut M8, self locking, flanged	2	81	531 20 49-21	screw M8x25	2
23	574 45 09-01	wheel assy Ø190	2	83	531 20 70-89	screw M8X50	2
24	504 54 82-01	ball bearing	2	85	531 20 70-90	washer	2
26	531 20 50-57	front axle housing	4	86	531 20 49-23	knob	2
27	573 97 60-01	front axle	1	87	531 20 79-82	nut M8	2
28	531 20 66-53	cotter pin	1	91	504 70 86-01	starter cable guide	1
30	531 20 80-08	screw, 3/8"	1	92	504 70 84-01	clutch lever	1
31	531 20 72-37	spring washer	1	93	531 20 59-89	handle sheat	1
32	531 21 16-46	mulching blade	1	94	504 70 83-04	brake lever	1
34	504 59 12-01	blade support	1	95	504 85 34-01	handle, upper half	1
35	504 59 14-01	key	1	96	531 21 05-73	clutch spring	1
36	531 20 78-56	screw 5x10	3	97	544 90 80-02	clutch cable	1
37	505 40 82-01	belt cover	1	98	531 20 55-81	binder	2
38	504 04 61-01	belt guide	1	99	531 20 51-18	handle, lower half	1
39	544 46 25-01	belt guide	1	100	576 13 60-01	screw M6x65	1
41	577 11 74-01	gear box	1	101	574 36 14-05	throttle lever+cable	1
42	510 03 75-01	screw 4x16, self threading	2	102	531 21 35-22	brake cable	1
43	577 92 85-01	belt guide	1	103	531 20 80-43	cable support	1
44	544 93 43-01	belt guide	1	104	531 20 80-63	nut M6	1
45	544 93 47-01	gear box spring	1	150	576 04 74-01	screw	2
46	504 54 79-01	pulley plate	2	151	575 56 23-02	front cover	1
47	504 54 80-01	nut	1	152	574 37 52-01	front cover plate	1
48	531 21 31-31	belt Z31	1	153	574 72 17-01	back plate	1
48	577 86 69-01	belt Z30 1/2	1	154	575 95 57-01	screw	2
51	531 21 35-88	sack frame	1				
52	577 58 66-04	sack	1				
53	577 87 67-99	hard top	1				
54	531 21 11-91	spring, mulching plug	1				
55	531 21 06-16	mulching plug	1				
58	544 25 55-01	safety flap	1				