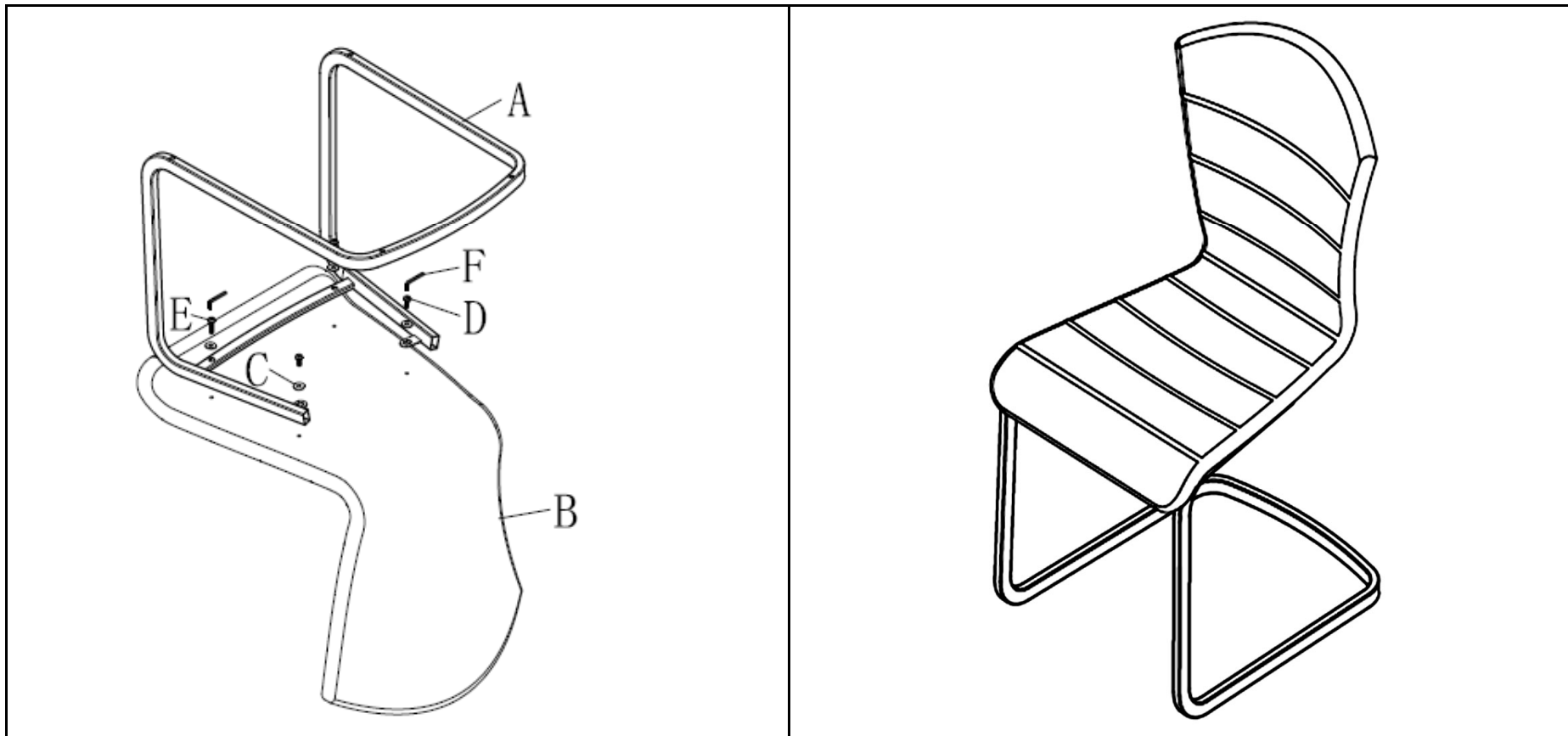
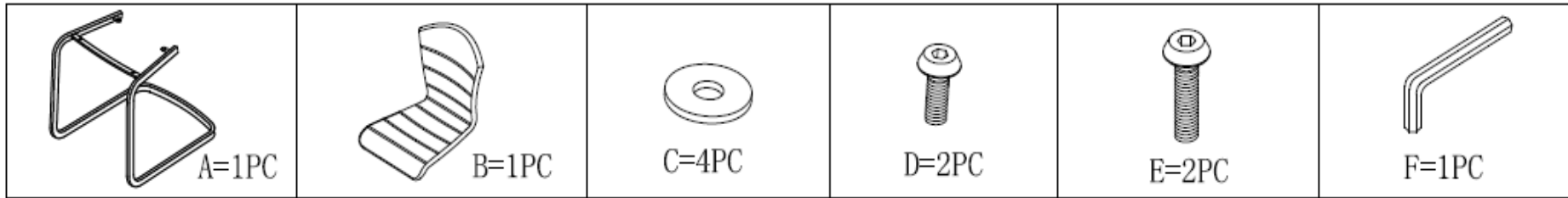


# BOSS

BOSS SILLA CROMADO  
BOSS CHAIR CHROMED



La Forma® es una marca registrada propiedad de Julià Grup Furniture Solutions S.L. / La Forma® is a registered brand property of Julià Grup Furniture Solutions S.L.