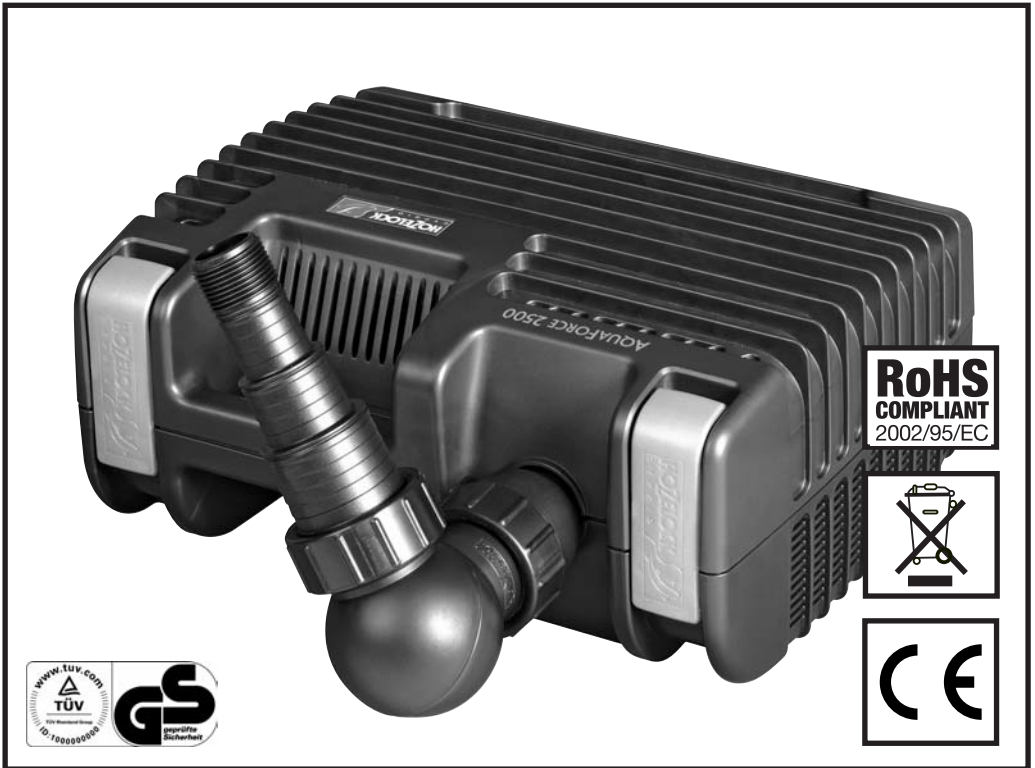
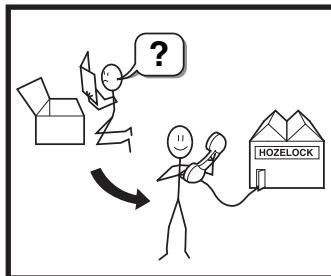


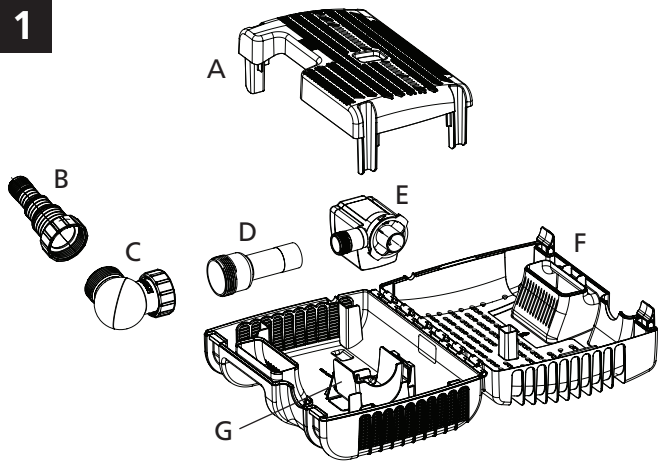
# AQUAFORCE 1000, 2500 & 4000



Hozelock Ltd.  
Midpoint Park,  
Birmingham B76 1AB. England  
Tel: +44 (0) 121 313 1122  
info@hozelock.com  
www.hozelock.com  
43388-002

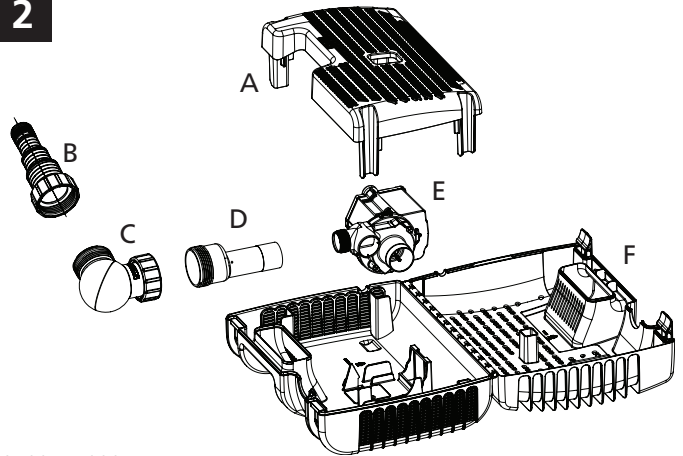


1



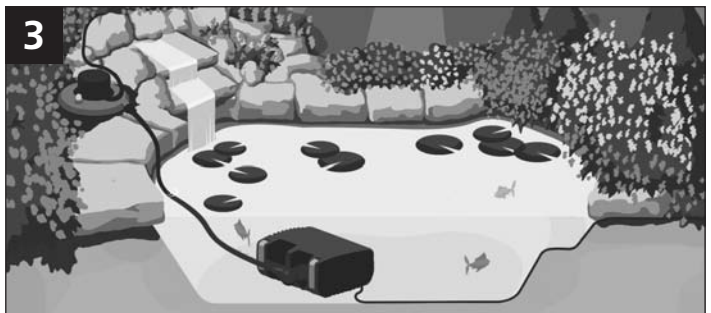
1000

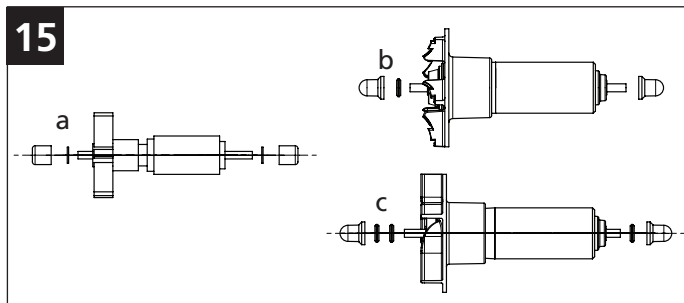
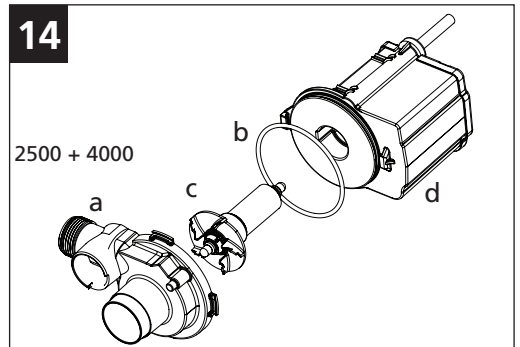
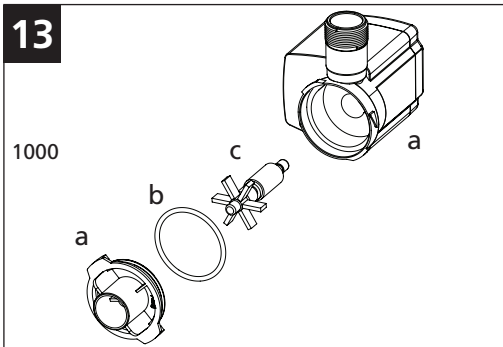
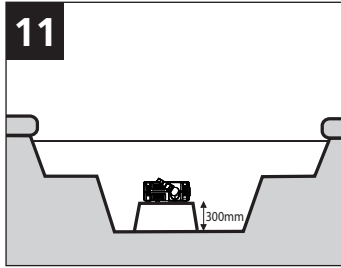
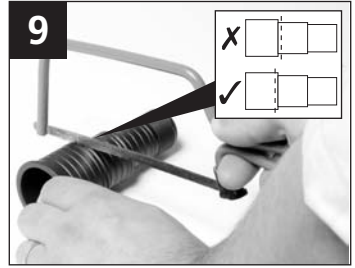
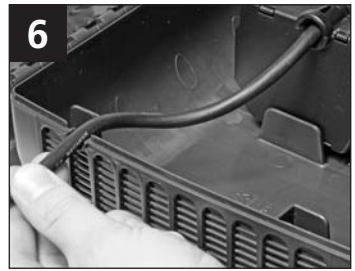
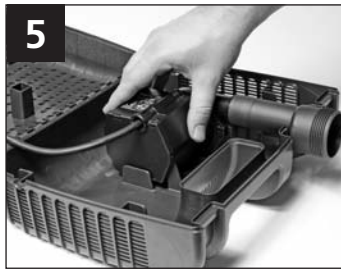
2



2500 + 4000

3







**INSTALLATION AND OPERATING INSTRUCTIONS. READ INSTRUCTIONS CAREFULLY BEFORE ATTEMPTING INSTALLATION. KEEP THESE INSTRUCTIONS FOR FUTURE REFERENCE**

- a. Wildlife Protection system
- b. Hosetail & Nut
- c. Ball Joint
- d. Outlet adaptor
- e. Pump
- f. Filter Cage
- g. Pump cradle (Aquaforce 1000 only)

## Introduction

The pump is electrically operated and is designed to pump solid particles up to 6mm in diameter with minimal pre-strainer maintenance.

These types of pumps are particularly suitable for pumping water to external filters or for use in high flow waterfalls or watercourse applications where low maintenance is important. The pump does not use oil or grease for lubrication and can be used safely in ponds containing fish or plants. The motor consists of a sealed stator and water-cooled rotor. All electrical components are isolated from the water.

### ATTENTION

#### AUTOMATIC CUT-OUT

To help ensure your pump's long life and to prevent damage, it is fitted with automatic thermal overload protection. This switches off the pump if it overheats. If this occurs, switch off the power at the mains supply to the pump. Check for the cause. Usually it will be debris blocking the inlets of the pump or obstructing the impeller. Remove the obstruction and wait for the pump to cool down. Then switch on the pump again.

**NOTE (AQUAFORCE 2500 & 4000): YOU MUST SWITCH OFF THE MAINS SUPPLY BEFORE THE PUMP WILL RESET.**

## General Safety Guidelines

**Failure to observe the following notices may result in injury, product damage or loss of fish.**

1. This pump has been designed for the use with ponds only. Only use this pump for the operation of pond filter systems, water displays, waterfalls etc. Do not use this pump for any other use (i.e. do not use this pump in swimming pools, bathrooms, central heating systems etc). Using the product for any other application may result in injury or product damage.
2. This appliance is not intended for use by persons (including children) with reduced physical, sensory or mental capabilities, or lack of experience and knowledge, unless they have been given supervision or instruction concerning use of the appliance by a person responsible for their safety. Children should be supervised to ensure that they do not play with the appliance. **(Australia & NZ only)** This appliance is not intended for use by young children or infirm persons unless they have been adequately supervised by a responsible person to ensure that they can use the

appliance safely. Young children should be supervised to ensure that they do not play with the appliance.

3. **WARNING:** Always unplug or disconnect all appliances in the pond from the electricity supply before putting your hands in the water whilst equipment is being installed, repaired, maintained or handled.
4. Never use the mains supply cable to lift the pump, as this may cause damage. We recommend fitting a lifting cord to the handle on the strainer cage when the pump is installed in deep water.
5. Do not operate or leave the pump in freezing conditions.
6. Protect the pump from direct sunlight. Direct sunlight may overheat the motor.
7. Never allow the pump to run dry.
8. Do not operate this pump without the strainer cage properly attached. Using the pump without the strainer cage may invalidate your warranty.
9. **ATTENTION:** This product is not suitable for water temperatures above 35°C.
10. **ATTENTION:** Do not operate this product if the mains supply cable or the motor has become damaged in any way. The supply cable cannot be replaced as it is permanently encased in the motor housing and should therefore be disposed of according to local regulations.
11. If you live in a hard water area (water with high calcium or limescale content), the pump, rotor assembly and inside of motor should be cleaned at regular intervals (See MAINTENANCE).
12. Only use accessories which have been designed for use with this product. The use of any other accessories may invalidate your guarantee.

**UK ONLY:** Installing this product in the garden is classed as 'notifiable' in the revised Building Regulations for England and Wales. The Regulations require you to tell your local authority building control department that you intend to install this product before installation.

Your local authority will let you know how you can get your installation approved.

## Electrical Connections

1. **WARNING:** Always unplug or disconnect all appliances in the pond from the electricity supply before putting your hands in the water whilst equipment is being installed, repaired, maintained or handled.
2. Check that the voltage marked on the unit corresponds to the mains supply.
3. The pump is supplied with 10m of 3 core electric cable which is permanently connected and sealed to the motor.  
The supply cable cannot be replaced. If the cable is damaged, the pump should be discarded.  
The plug supplied with this product is not waterproof and must be housed in a dry, waterproof enclosure.
4. A 10mA or 30mA Residual Current Device (RCD) must be fitted to the mains supply.
5. The installation must conform to the National and Local wiring regulations which could include the use of plastic or metal conduit to protect the cable.
6. **WARNING:** This appliance must be connected to an earthed supply.
7. The pump cable (and extension cable) should be positioned and adequately protected against damage especially where contact with gardening equipment,

(lawn mowers, forks etc..) children and domestic animals may occur.

## Typical Installation

(Fig 3)

## Pump Assembly & Installation

### ASSEMBLY

1. Open the clips at either end of the strainer cage and open the cage.
  2. Remove the Wildlife Protection system (Fig 1 – a).
  3. Remove & unpack the ball joint, hositails & outlet adaptor (Fig 1 – b, c & d).
  4. Remove the mains supply cable and unwind.
  5. Screw the outlet adaptor onto the outlet of the pump. Do not over tighten (Fig 4).
  6. Locate the pump onto its mounting area ensuring that the outlet adaptor rests in the recess in the lower part of the cage (Fig 5).
- Note:** 1000 model: The pump locates into a cradle that is fixed to the lower cage (Fig 1 - g).
7. Locate the mains supply cable into the recess on the side of the cage. Ensure it is seated in the correct position so that the cable does not get trapped when the cage is closed. (Fig 6).
  8. Close the cage lid and secure by pressing in the centre of the clips (Fig 7).
  9. Checking that the ball joint's inlet and outlet bosses are in line, firmly screw the nut on to the screw thread on the outlet adaptor (Fig 8).

10. Using small bore hoses leads to excessive restriction of the water flow. The larger the diameter of hose that you use the better the performance of the pump will be, especially over long hose runs. The hositail supplied with this unit will accommodate 25mm (1"), 32mm (1.25") and 40mm (1.6") hose as well as ¾" BSP screw thread for attaching fountain accessories. We would always recommend that on pumps of this size, that the 40mm diameter hose should be used when using the pump as a waterfall pump or in combination with a filter (Fig 3). Once you have selected the hose diameter you wish to use, cut the steps off the hositail which are smaller than the hose diameter to eliminate restriction (Fig 9). Attach a suitable length hose to the hositail and secure with a suitable hose clip and position the outlet end of the hose in the desired position.
11. Screw the hositail directly onto the outlet boss of the ball joint (Fig 10). The ball joint can be rotated to allow the hose to be directed away from the pump.

### Pond Pump Position

12. For the best results, the pump should be positioned in the deepest part of the pond.

This will ensure the best circulation of water in the pond and when being used as a filtration pump, its solids handling capability will be maximised.

For best results, the pump should not be placed directly on the bottom of the pond. We recommend that the pump be installed on a flat level platform which is raised approximately 300mm above the bottom of pond. This will ensure that sufficient water remains in the pond in the event of accidental leakage of pond water (See fig 11).

Never use the mains supply cable to lift the pump, as this may cause damage. We recommend fitting a lifting cord to

the handle on the strainer cage when the pump is installed in deep water.

### Wildlife Protection System (WPS)

13. If you have fish or other wildlife in your pond, there are periods in the year during which they may breed. At this time the fish 'fry' are small and can be sucked into the pump. To minimise this possibility, the Aquaforce range of pumps has a unique Wildlife Protection System (WPS), which reduces the inlet strainer hole size down to 2mm at this critical time in fishes' life cycle. To use this feature, locate the WPS's 4 legs into the corresponding area in the lower cage as shown in Fig 12 ensuring that the WPS is the correct way round. Close the top of the cage and secure the clips. Whilst the WPS is in use, you may need to unblock the Strainer Cage more frequently. Once the fish or other wildlife have grown to a sufficient size you can then remove the WPS from your pump's cage and return the strainer size to its maximum 6mm size.

## Maintenance

The Hozelock Cyprio range of Aquaforce pumps have been designed to allow fast and easy maintenance. To prolong the life of your pump and keep your pump in peak condition, you should follow these maintenance guidelines.

**Caution:** Always unplug or disconnect ALL appliances in the pond from the electricity supply before putting your hands in the water or starting maintenance.

1. When the pump is newly installed, you should check your pump daily that it is performing correctly.
2. If you notice a drop in performance (low flow) you should clean the strainer cage. Cleaning intervals will vary depending on the condition of your pond's water. This could be as often as weekly in the summer months. To clean the strainer cage, open the clips and remove the pump. The cage can then be wiped clean of debris blocking the strainer holes and washed in clean water. You should also check that the pump chamber & rotor are not blocked with debris.
3. At least once a year you should completely disassemble the pump including the rotor assembly as described below and wash all components in clean, fresh water. Replace worn or broken parts.

### Pump Dismantling & Assembly

(Fig. 13 (1000) - Fig 14 (2500 & 4000))

- a. Switch off the pump and remove the strainer cage as described above and remove the pump.
- b. Ensure the pump is cool before dismantling it.
- c. Release the pump chamber (a) by rotating it until the two retaining tongues are clear of the lugs on the motor body.
- d. Gently pull the pump chamber squarely away from the motor body (d).
- e. Pull the rotor assembly (c) out of the motor body (d).

**Important!** Take extra care so as to not drop any of the small components. See Fig 15-a for assembly of the 1000 rotor, Fig 15-b for the assembly of the 2500 rotor and Fig 15-c for assembly of the 4000 rotor.

- f. Wash out all of the components in clean water. Do not use detergents or other chemical cleaners.
- g. Replace the rotor assembly into the motor body, refit the pump chamber and return the pump to the strainer cage.

4. If you live in a hard water area (water with high levels of calcium or limescale content), the pump, rotor assembly

and the inside of the motor should be cleaned at regular intervals. The cleaning interval required will vary depending on the hardness of your water, so you should inspect for signs of calcium build up regularly.

To clean off calcium or limescale deposits a small nylon bristled brush (such as a toothbrush) may be used. Dismantle the pump as described above and remove the rotor. Clean the limescale deposits from the rotor using fresh clean water.

If excessive calcium deposits build up, the thermal overload protection may be activated (See INTRODUCTION).

## Winter Care

1. Your pump should be removed from your pond during the autumn.
2. Clean the pump as described above.
3. During winter, we recommend storing the pump in a bucket of water. This is to prevent the bearings from drying out and potentially seizing. This is especially important if you have been using your pump in a hard water area. The bucket of water containing the pump should be stored in a frost protected area.

## Troubleshooting / Fault Finding

**Important** - Please keep this section for reference.

### LOW FLOW FROM PUMP

1. Ensure that the strainer cage is clean.
2. A small diameter outlet pipe will restrict outlet flow.
3. Ensure that there is no blockage within the pump chamber.

### NO FLOW FROM PUMP

1. Check the power supply is on.
2. Check the fuse, RCD and wiring.
3. Check that the rotor assembly is not jammed, blocked, damaged or showing signs of excessive wear.
4. Ensure that the strainer cage is clean.
5. The thermal overload protection has tripped. (see INTRODUCTION).

## Hozelock Cyprio 3+2 Year Guarantee

If this pump, excluding the rotor assembly, becomes unserviceable within 3 years of the date of purchase it will be repaired or replaced at our option free of charge, unless in our opinion it has been damaged or misused. To extend this guarantee to 5 years please register at <http://register.hozelock.com>.

Liability is not accepted for damage due to accident, improper installation or use. Liability is limited to replacement of a faulty pump.

This guarantee is not transferable. It does not affect your statutory rights. To obtain the benefits of the guarantee, firstly contact

Hozelock Cyprio Consumer Services who may request that the pump is sent along with proof of purchase directly to the address below.

Hozelock Cyprio Ltd.

Midpoint Park, Birmingham  
B76 1AB. England  
Telephone: 0121 313 1122  
[www.hozelock.com](http://www.hozelock.com)

## SPARE PARTS

Contact the Consumer Services Helpline on 0121 313 1122

Model no.	Part No		
	1000	2500	4000
<b>Spares</b>			
1. Pump Chamber Assembly and Seal.	Z10005	Z10006	Z10007
2. Rotor Assembly.	1680	1681	Z10000
3. Threaded Outlet Adaptor	1682	1682	1682
4. Ball Joint	Z10013	Z10013	Z10013
5. Stepped Hosetail & Nut	Z10012	Z10012	Z10012

## Performance\*

Aquaforce	1000	2500	4000	6000	8000	12000	15000
Saleable Part number	1580	1581	1582	1583	1584	1585	1586
Volts (V)	230V 50Hz	230V 50Hz	230V 50Hz	230V 50Hz	230V 50Hz	230V 50Hz	230V 50Hz
Power (W)	25	30	50	65	95	130	180
Max Flow, QMax, (l/hr)	1000	2500	4000	6000	8000	12000	15000
Max Head, HMax, (m)	1.5	2.1	2.5	3.5	4.0	5.0	5.7
IP Rating	IPX8	IPX8	IPX8	IPX8	IPX8	IPX8	IPX8
Max submersion depth, (m)	2.5	2.5	2.5	2.0	2.0	2.0	2.0
Max Water Temperature TMax, (°C)	35°C	35°C	35°C	35°C	35°C	35°C	35°C
Amphibious use	X	X	X	✓	✓	✓	✓

\*Measured under controlled conditions

**MODE D'EMPLOI POUR L'INSTALLATION ET LE FONCTIONNEMENT. LISEZ CES INSTRUCTIONS ATTENTIVEMENT AVANT D'ENTREPRENDRE L'INSTALLATION. CONSERVEZ CES INSTRUCTIONS POUR REFERENCE**

a. Système de protection de la vie aquatique

b. Queue de tuyau et écrou

c. Joint sphérique

d. Adaptateur de sortie

e. Pompe

f. Cage de filtre

g. Logement de pompe (Aquaforce 1000 seulement)

## Introduction

La pompe fonctionne à l'électricité et est conçue pour pomper des matières solides allant jusqu'à 6mm de diamètre, avec un entretien pré-filtre minimum. Ces pompes conviennent particulièrement pour pomper l'eau vers les filtres externes ou pour une utilisation dans les cascades ou des cours d'eau à fort débit où il est important que l'entretien soit réduit au minimum. La pompe n'a pas besoin d'huile ou de graisse pour sa lubrification et peut être utilisée en toute sécurité dans les bassins contenant des poissons et des plantes. Le moteur comprend un stator scellé et un rotor à refroidissement par eau. Tous les composants électriques sont isolés de l'eau.

### AVERTISSEMENT

#### COUPE-CIRCUIT AUTOMATIQUE

Afin d'assurer la longévité de votre pompe et éviter tout dommage, elle est équipée d'une protection de surcharge thermique automatique. Ceci arrête la pompe en cas de surchauffe. Si cela se produit, coupez l'alimentation secteur de la pompe. Vérifiez la cause de la surchauffe. Ce sont généralement des débris qui bloquent les entrées de la pompe ou bien qui obstruent la roue. Retirez le blocage et attendez 15 minutes pour que la pompe refroidisse, puis rallumez-la.

**NOTE (AQUAFORCE 2500 & 4000): VOUS DEVEZ FERMER L'ALIMENTATION SECTEUR POUR PERMETTRE À LA POMPE DE SE RÉINITIALISER.**

## Conseils de Sécurité

Tout non-respect des dispositions ci-dessous peut entraîner des blessures, endommager le produit ou la perte de poissons.

1. Cette pompe a été conçue uniquement pour une utilisation dans des bassins. N'utilisez cette pompe que pour le fonctionnement de systèmes de filtre de bassin, des jeux d'eau, des cascades etc. N'utilisez jamais cette pompe pour d'autres applications (par exemple dans les piscines, les salles de bain, les systèmes de chauffage central etc.). L'utilisation de ce produit dans toute autre

application, peut entraîner des blessures ou des dommages au produit.

2. Cet appareil ne doit pas être utilisé par des personnes (y compris des enfants) dont les capacités physiques, sensorielles ou mentales sont réduites ou qui manquent d'expérience et de connaissances, à moins qu'elles ne soient supervisées ou renseignées sur la manière d'utiliser cet appareil par la personne responsable de leur sécurité. Les enfants doivent être supervisés pour s'assurer qu'ils ne jouent pas avec l'appareil.

**(Pour l'Australie & la Nouvelle Zélande seulement).** Cet appareil n'est pas destiné à être utilisé par des jeunes enfants ou des personnes handicapées, à moins qu'ils ne soient supervisés par une personne responsable pour s'assurer qu'ils utilisent l'appareil de manière sûre. Les jeunes enfants doivent être supervisés pour s'assurer qu'ils ne jouent pas avec l'appareil.

3. **AVERTISSEMENT** : Il est impératif de débrancher ou déconnecter de l'alimentation électrique tous les équipements qui se trouvent dans le bassin, avant de mettre vos mains dans l'eau pendant que vous installez, réparez, faites l'entretien ou manipulez de tout équipement se trouvant dans l'eau.

4. Ne jamais soulever la pompe hors de l'eau en se servant du câble d'alimentation électrique, cela pourrait endommager l'appareil. Nous vous recommandons, pour soulever la pompe, de passer une corde dans l'anse de la cage de filtre, lors de l'installation en eaux profondes de la pompe.

5. Ne pas faire fonctionner la pompe lorsqu'il gèle et ne la laisser dehors en cas de gel.

6. Protéger la pompe de l'exposition directe au soleil qui peut causer une surchauffe du moteur.

7. Ne jamais laisser la pompe fonctionner sans eau.

8. Ne pas faire fonctionner la pompe sans la cage de filtre fixée correctement. Toute utilisation de la pompe sans la cage de filtre peut rendre votre garantie invalide.

9. **ATTENTION** : ce produit ne convient pas pour des eaux d'une température supérieure à 35°C.

10. **ATTENTION** : ne pas faire fonctionner ce produit si le câble de l'alimentation secteur ou le moteur est endommagé de quelque façon que ce soit. Le câble d'alimentation fourni ne peut pas être remplacé, car il est logé de manière permanente dans le compartiment moteur. Il faut donc en disposer conformément à la réglementation locale.

11. Si vous vivez dans une zone où l'eau est très calcaire (une eau avec à forte teneur en calcaire ou tartre), la pompe, l'assemblage du rotor et l'intérieur du moteur devront être nettoyés à intervalles réguliers (Voir ENTRETIEN).

12. N'utilisez que des accessoires qui ont été conçus pour une utilisation avec ce produit. L'utilisation d'autres accessoires peut rendre votre garantie invalide.

## Les Connexions Électriques

1. **AVERTISSEMENT** : Il est impératif de débrancher ou de déconnecter de l'alimentation électrique tous les équipements qui se trouvent dans le bassin, avant de mettre vos mains dans l'eau pendant que vous installez, réparez, faites l'entretien ou manipulez tout équipement se trouvant dans l'eau.

2. Vérifiez que le voltage indiqué sur l'unité correspond à

l'alimentation secteur.

3. La pompe est fournie avec un câble électrique de 10m à 3 fils, connecté en permanence et scellé au moteur.

Le câble secteur ne peut pas être changé. S'il est endommagé, la pompe doit être mise au rebut.

La prise de ce produit n'étant pas imperméable, elle devra être placée dans un boîtier étanche et sec.

4. Un dispositif de courant résiduel (RCD) de 10mA ou 30mA doit être monté sur l'alimentation secteur.
5. L'installation doit être conforme à la réglementation nationale et locale en matière de câblage qui peut nécessiter l'utilisation d'un conduit en plastique ou en métal pour protéger le câble.
6. **AVERTISSEMENT** : cet appareil doit être connecté sur une alimentation mise à la terre
7. Le câble de la pompe (et le câble de rallonge) doit être positionné et protégé de manière adéquate contre les dommages, que pourraient causer, en particulier, les équipements de jardin (les tondeuses à gazon, les fourches etc.), les enfants et les animaux domestiques.

## Installation

(Fig 3)

## Assemblage & Installation de la Pompe

### ASSEMBLAGE

1. Ouvrez les attaches à chaque extrémité de la cage de filtre et ouvrez la cage.
  2. Retirez le système de protection pour les animaux aquatiques (Fig1 – a).
  3. Retirez & déballez le joint sphérique, la queue de tuyau & l'adaptateur de sortie (Fig 1 – b, c & d).
  4. Retirez le câble d'alimentation secteur et déroulez-le.
  5. Vissez l'adaptateur de sortie sur la sortie de la pompe. Ne serrez pas de trop (Fig 4).
  6. Placez la pompe sur sa zone de montage et assurez-vous que l'adaptateur de la sortie repose dans l'encastrement situé dans la partie inférieure de la cage (Fig 5).
- Note:** modèle 1000 : la pompe s'installe dans un logement qui se trouve sur la cage inférieure (Fig 1 - g).
7. Introdisez le câble d'alimentation secteur dans l'évidement sur le côté de la cage. Assurez-vous qu'il est dans la position correcte afin qu'il ne soit pas coincé lors de la fermeture de la cage. (Fig 6).
  8. Refermez le couvercle de la cage, et fixez-le en place en appuyant au milieu des attaches (Fig 7).
  9. Vérifiez que les bossages d'entrée et de sortie du joint sphérique sont alignés, vissez fermement l'écrou sur le pas de vis de l'adaptateur de sortie (Fig 8).

10. L'utilisation de tuyaux de petit diamètre crée une restriction excessive du débit de l'eau. Plus le diamètre du tuyau utilisé est grand, plus les performances de la pompe sont meilleures, en particulier, lorsque la longueur du tuyau est importante. La queue de tuyau fournie avec cette unité convient à des tuyaux de diamètre de 25mm, 32mm et 40mm ainsi qu'à des pas de vis de 3/4" BSP pour y fixer les accessoires de fontaine. Nous recommandons toujours, sur les pompes de cette taille et quand elles sont utilisées comme pompe de cascade ou combinées à un filtre (Fig 3), que le diamètre du tuyau utilisé soit de 40mm. Une fois

que vous avez sélectionné le diamètre du tuyau que vous désirez utiliser, coupez les parties de la queue de tuyau dont le diamètre est inférieur à celui du tuyau, ceci afin d'éviter toute restriction (Fig 9). Fixez un tuyau d'une longueur suffisante sur la queue de tuyau et fixez en place à l'aide d'une attache de tuyau qui appropriée, puis positionnez la sortie de tuyau dans la position désirée.

11. Screw the hose tail directly onto the outlet boss of the ball joint (Fig 10). The ball joint can be rotated to allow the hose to be directed away from the pump.

### La position de la pompe de bassin

12. Pour obtenir les meilleurs résultats, la pompe doit être placée dans la partie la plus profonde du bassin. Ceci permettra d'obtenir la meilleure circulation possible de l'eau du bassin et lorsqu'elle est utilisée comme pompe de filtration, la capacité de la pompe à traiter les particules solides est maximisée.

Pour obtenir les meilleurs résultats, la pompe ne doit pas être placée directement sur le fond du bassin. Nous recommandons d'installer la pompe sur une plate-forme horizontale, à une hauteur d'environ 300mm du fond du bassin. Ceci empêchera la pompe d'aspirer les saletés directement du fond du bassin et assurera aussi qu'il reste suffisamment d'eau dans le bassin, dans le cas d'une fuite accidentelle de l'eau du bassin (Voir fig 11).

Ne jamais soulever la pompe en utilisant le câble d'alimentation secteur fourni, car cela peut entraîner des dommages. Nous vous recommandons pour la soulever, d'attacher une corde à la poignée sur la cage de filtre, lorsque la pompe est installée dans des eaux profondes.

### Le WPS (Système de Protection de la vie aquatique)

13. Si vous possédez des poissons ou d'autres animaux aquatiques dans votre bassin, il y a des périodes de l'année au cours desquelles ceux-ci se reproduisent. Pendant cette période, les alevins sont petits et peuvent être aspirés dans la pompe. Pour réduire au minimum cette éventualité, la gamme des pompes Aquaforce est équipée d'un Système de Protection de la vie aquatique (WPS) unique en son genre, qui réduit le diamètre des trous d'entrée du filtre à 2mm à ce stade critique du cycle de vie des poissons. Pour utiliser ce système, placez les quatre pieds du WPS dans la zone correspondante dans la cage inférieure comme indiqué dans la Fig 12 et assurez-vous que le WPS est tourné dans le bon sens. Fermez le dessus de la cage ainsi que les attaches. Quand le WPS est utilisé, il peut être nécessaire de nettoyer les blocages de la cage de filtre plus souvent. Une fois que les poissons ou les autres animaux aquatiques ont atteint une taille suffisante, vous pouvez retirer le WPS de la cage de votre pompe et remettre les trous du filtre à leur diamètre maximum de 6mm.

## Entretien

La gamme des pompes Aquaforce d'Hozelock Cyprio a été conçue pour permettre un entretien rapide et facile. Pour prolonger la vie utile de votre pompe et la conserver dans le meilleur état possible, vous devez respecter les conseils d'entretien qui suivent :

**Avertissement** : Il est impératif de débrancher ou de déconnecter de l'alimentation électrique TOUS les équipements qui se trouvent dans le bassin, avant de mettre vos mains dans l'eau, ou d'entreprendre des travaux d'entretien.

1. Quand la pompe vient d'être installée, vous devez vérifier son bon fonctionnement quotidiennement.
2. Si vous vous apercevez d'une baisse des performances (un débit faible) vous devez nettoyer la cage de filtre. Les intervalles entre le nettoyage varient selon les conditions de l'eau de votre bassin. Ce nettoyage peut devenir



hebdomadaire pendant les mois d'été. Pour nettoyer la cage de filtre, ouvrez les attaches et retirez la pompe. La cage peut être ensuite essuyée pour retirer tous les débris qui bloquent les trous du filtre, puis lavez-la dans de l'eau propre. Vérifiez qu'il n'y a pas de débris dans la chambre de la pompe et le rotor

3. Au moins une fois par an, vous devez entièrement démonter la pompe, y compris l'assemblage du rotor, comme décrit ci-dessous et lavez tous les composants dans de l'eau claire et propre. Remplacez les pièces usées ou cassées.

### Démontage & Assemblage de la pompe (Fig. 13 (1000) & Fig 14 (2500 & 4000))

- Éteignez la pompe et retirez la cage de filtre comme décrit ci-dessus puis retirez la pompe.
- Assurez-vous que la pompe a refroidi avant d'entreprendre de la démonter.
- Retirez la chambre de la pompe (a) en la faisant pivoter jusqu'à ce que les deux languettes de retenue soient dégagées des pattes sur le corps du moteur.
- Tirez doucement la chambre de la pompe tout droit en l'éloignant du corps du moteur (d).
- Tirez l'assemblage du rotor (c) pour le dégager du corps du moteur (d).

Important! Prenez soin de ne laisser tomber aucun des petits composants. Voir Fig 15-a pour l'assemblage du rotor 1000, Fig 15-b pour l'assemblage du rotor 2500 et Fig 15-c pour l'assemblage du rotor 4000.

f. Lavez tous les composants dans de l'eau propre. N'utilisez pas de détergents ou des produits chimiques

g. Remplacez l'assemblage rotor dans le corps du moteur, remontez la chambre de pompe et remettez la pompe dans la cage de filtre.

4. Si vous habitez une zone où l'eau est très calcaire (une eau avec une forte teneur en calcaire ou tartre), la pompe, l'assemblage du rotor et l'intérieur du moteur devront être nettoyés à intervalles réguliers. L'intervalle entre les nettoyages varie selon le degré de calcaire de l'eau dans votre région. Vous devez donc surveiller régulièrement les signes de dépôts de calcaire.

Pour nettoyer les dépôts de calcaire ou de tartre, utilisez une petite brosse en nylon (une brosse à dent par exemple). Démontez la pompe comme décrit ci-dessus et retirez le rotor. Nettoyez les dépôts de tartre sur le rotor en utilisant de l'eau propre.

Si le dépôt de calcaire s'accumule, la protection de surcharge thermique risque de se déclencher (Voir INTRODUCTION).

## Rangement d'hiver

- Vous devez retirer votre pompe du bassin pendant l'automne.
- Nettoyez la pompe comme décrit ci-dessus.
- Pendant l'hiver, nous vous recommandons d'entreposer

la pompe dans un seau d'eau. Ceci pour empêcher les roulements à billes de sécher et de se gripper. Ceci est particulièrement important si vous avez utilisé la pompe dans une zone où l'eau est très calcaire. Le seau d'eau qui contient la pompe doit être entreposé dans un endroit protégé du gel.

## Depistage des Pannes/Problèmes

Important –Conservez cette section comme future référence.

### FAIBLE DÉBIT DE LA POMPE

- Assurez-vous que la cage de filtre est propre.
- Un tuyau de sortie de petit diamètre réduira le débit de sortie.
- Assurez-vous qu'il n'y a pas de blocage dans la chambre de la pompe.

### PAS DE DÉBIT DE LA POMPE

- Vérifiez que l'alimentation secteur est allumée.
- Vérifiez le fusible, le RCD et le câblage.
- Vérifiez que l'assemblage du rotor n'est pas coincé, bloqué, endommagé ou donne des signes d'usure excessive.
- Assurez-vous que la cage de filtre est propre.
- La protection de surcharge thermique s'est déclenchée. (voir INTRODUCTION).

## Garantie de 3+2 ans Hozelock Cyprio

S'il devient impossible, à l'exception de l'assemblage du rotor, de faire fonctionner cette pompe dans les 3 ans à compter de la date de l'achat, elle sera réparée ou remplacée selon l'option que nous choisirons, ceci gratuitement, à moins que selon nous, elle ait été endommagée ou utilisée à mauvais escient. Pour faire passer cette garantie de 3 à 5 ans, veuillez vous inscrire à <http://register.hozelock.com>.

Aucune responsabilité pour des dommages dus à un accident, une mauvaise installation ou utilisation n'est pas acceptée. La responsabilité est limitée au remplacement d'une pompe défectueuse.

Cette garantie n'est pas cessible. Elle ne porte pas atteinte à vos droits légaux. Pour obtenir bénéficiaire de la garantie, vous devez en premier lieu, contacter le service client d'Hozelock Cyprio qui peut vous demander de lui envoyer la pompe avec les justificatifs de son achat à l'adresse indiquée ci-dessous.

[www.hozelock.com](http://www.hozelock.com)

## PIÈCES DÉTACHÉES

Numéro de modèle	Part No		
	1000	2500	4000
<b>Pièces détachées</b>			
1. Assemblage de chambre de pompe et joint	Z10005	Z10006	Z10007
2. Assemblage du rotor	1680	1681	Z10000
3. Adaptateur de sortie fileté	1682	1682	1682
4. Joint sphérique	Z10013	Z10013	Z10013
5. Queue de tuyau à extrémité dégressive & écrou	Z10012	Z10012	Z10012

## Performances\*

Aquaforce	1000	2500	4000	6000	8000	12000	15000
Numéro des pièces vendables	1580	1581	1582	1583	1584	1585	1586
Volts (V)	230V 50Hz	230V 50Hz	230V 50Hz	230V 50Hz	230V 50Hz	230V 50Hz	230V 50Hz
Puissance (W)	25	30	50	65	95	130	180
Débit Max, QMax, (l/hr)	1000	2500	4000	6000	8000	12000	15000
Hauteur d'eau maxi, HMax, (m)	1.5	2.1	2.5	3.5	4.0	5.0	5.7
Indice de protection IP	IPX8	IPX8	IPX8	IPX8	IPX8	IPX8	IPX8
Profondeur de submersion maxi. (m)	2.5	2.5	2.5	2.0	2.0	2.0	2.0
Température de l'eau maxi. TMax, (°C)	35°C	35°C	35°C	35°C	35°C	35°C	35°C
Utilisation amphibie	X	X	X	✓	✓	✓	✓

\*Mesures faites sous contrôle

D



**INSTALLATIONS- UND BEDIENUNGSANLEITUNG. LESEN SIE DIESE ANLEITUNG SORGFÄLTIG DURCH, BEVOR SIE MIT DER INSTALLATION BEGINNEN. HEBEN SIE DIESE ANLEITUNG AUF, DAMIT SIE BEI BEDARF JEDERZEIT WIEDER DARAUF ZURÜCKGREIFEN KÖNNEN.**

- System zum Schutz von Wildleben
- Schlauchstutzen und Mutter
- Kugelgelenk
- Auslassadapter
- Pumpe
- Filterkäfig
- Pumpenhalterung (nur Aquaforce 1000)

## Einführung

Die Pumpe ist elektrisch betrieben und zum Pumpen von Partikeln mit einem Durchmesser von bis zu 6 mm ausgelegt. Der Wartungsaufwand für den Vorsieb ist minimal. Diese Arten von Pumpen sind besonders geeignet, um Wasser zu Außenfiltern zu pumpen. Sie eignen sich außerdem hervorragend für Wasserfälle, durch die viel Wasser läuft, sowie für Wasserläufe, bei denen ein geringer Wartungsaufwand wichtig ist. Da die Pumpe weder mit Öl noch mit Fett geschmiert ist, kann sie bedenkenlos in Teichen mit Fischen oder Pflanzen verwendet werden. Der Motor besteht aus einem dicht gekapselten Stator und einem wassergekühlten Rotor. Alle elektrischen Teile sind gegen das Wasser abgedichtet.

### ACHTUNG

#### AUTOMATISCHE ABSCHALTUNG

Damit Sie viele Jahre lang Freude an Ihrer Pumpe haben und um Schäden vorzubeugen, ist die Pumpe mit einem

automatischen thermischen Überlastschutz versehen. Dieser schaltet die Pumpe ab, wenn sie überhitzt. Die Pumpe in diesem Fall ausschalten und den Stecker der Pumpe aus der Steckdose ziehen. Nach der Ursache suchen. In der Regel sind die Einlässe der Pumpe verstopft oder das Laufrad kann sich nicht drehen. Das Problem beseitigen und warten, bis die Pumpe abgekühlt ist. Dann die Pumpe wieder einschalten.

**HINWEIS (AQUAFORCE 2500 und 4000): SIE MÜSSEN DEN STECKER AUS DER STECKDOSE ZIEHEN, DA SICH DIE PUMPE ANSONSTEN NICHT ZURÜCKSETZT.**

## Allgemeine Sicherheitshinweise

**Eine Nichtbeachtung der folgenden Hinweise kann zu Verletzungen, Schäden am Produkt oder zum Verlust von Fischen führen.**

- Diese Pumpe wurde speziell für Teiche entwickelt. Die Pumpe nur für den Betrieb von Teichfiltersystemen, Wasserspielen, Wasserfällen etc. verwenden. Die Pumpe nicht für andere Zwecke benutzen (z. B. in Swimming-Pools, Badezimmern, Zentralheizungsanlagen etc.) Wird das Produkt anderweitig verwendet, besteht die Gefahr einer Verletzung bzw. einer Beschädigung des Produkts.
- Dieses Gerät ist nicht für den Gebrauch durch Personen (einschließlich Kinder) mit verminderter physischer, sensorischer oder mentaler Kapazität bzw. mangelnder Erfahrung und mangelnden Kenntnissen vorgesehen, außer sie werden von einer Person, die für ihre Sicherheit verantwortlich ist, bei der Benutzung des Geräts beaufsichtigt bzw. wurden von dieser Person unterwiesen. Kinder müssen beaufsichtigt werden, um sicherzustellen, dass sie nicht mit dem Gerät spielen.

**(nur Australien und Neuseeland)** Dieses Gerät ist nicht für den Gebrauch durch kleine Kinder oder Personen mit verminderter Kapazität vorgesehen, außer sie werden von einer Person, die für sie verantwortlich ist, angemessen beaufsichtigt, um zu gewährleisten, dass sie das Gerät sicher verwenden können. Kleine Kinder müssen beaufsichtigt werden, um sicherzustellen, dass sie nicht mit dem Gerät spielen.

- ACHTUNG:** Immer alle Stecker von Geräten, die sich im Teich befinden, aus der Steckdose herausziehen, und erst dann die Hände ins Wasser strecken, um Geräte zu installieren, zu reparieren, zu warten oder zu bedienen.
- Die Pumpe niemals am Netzkabel hochziehen, da dies zu Schäden führen kann. Wenn die Pumpe in tiefem Wasser installiert wird, empfehlen wir, eine Schnur am Griff auf dem Siebkäfig zu befestigen, damit die Pumpe leichter aus dem Wasser gehoben werden kann.
- Die Pumpe nicht bei Frost betreiben oder in frostiger Umgebung belassen.
- Die Pumpe vor direktem Sonnenlicht schützen. Durch direktes Sonnenlicht kann der Motor überhitzen.
- Die Pumpe niemals trocken laufen lassen.
- Diese Pumpe nicht ohne den ordnungsgemäß angebrachten Siebkäfig laufen lassen. Wenn die Pumpe ohne den Siebkäfig verwendet wird, kann Ihre Garantie nichtig werden.
- ACHTUNG:** Dieses Produkt ist nicht für Wassertemperaturen über 35°C geeignet.
- ACHTUNG:** Dieses Produkt nicht betreiben, wenn das Netzkabel oder der Motor in irgendeiner Weise beschädigt wurde. Das Netzkabel kann nicht ersetzt werden, da es fest mit dem Motorgehäuse verbunden ist. Bei einem beschädigten Netzkabel muss die komplette Pumpe entsprechend der örtlichen Vorschriften entsorgt werden.
- Wenn Sie in einer Hartwassergegend wohnen, sollten die Pumpe, die Rotorbaugruppe und die Innenseite des Motors in regelmäßigen Abständen gereinigt werden (siehe WARTUNG).
- Nur Zubehör verwenden, das speziell für dieses Produkt entwickelt wurde. Die Verwendung anderer Zubehör kann Ihre Garantie nichtig machen.

(Rasenmähern, Forken usw.), Kindern und Haustieren möglichst ist.

## Installation

(Abb. 3)

## Montage und Installation der Pumpe

### MONTAGE

- Klemmen an einem beliebigen Ende des Siebkäfigs öffnen und den Käfig öffnen.
  - System zum Schutz von Wildleben herausnehmen (Abb. 1 - a).
  - Kugelgelenk, Schlauchstutzen und Auslassadapter herausnehmen und auspacken (Abb. 1 - b, c und d).
  - Netzkabel herausnehmen und abwickeln.
  - Auslassadapter auf den Auslass der Pumpe schrauben. Nicht zu fest anziehen (Abb. 4).
  - Pumpe auf ihren Montagebereich setzen. Der Auslassadapter muss in der Vertiefung im unteren Teil des Käfigs liegen (Abb. 5).
  - Hinweis für Modell 1000: Die Pumpe wird in eine Halterung eingesetzt, die am unteren Käfig befestigt ist (Abb. 1 - g).
  - Netzkabel in die Vertiefung an der Seite des Käfigs legen. Das Netzkabel muss so in der Vertiefung liegen, dass es beim Schließen des Käfigs nicht eingeklemmt wird. (Abb. 6).
  - Käfigdeckel schließen und durch Eindrücken der Mitte der Klemmen befestigen (Abb. 7).
  - Prüfen, ob die Einlass- und Auslassvorsprünge des Kugelgelenks aufeinander ausgerichtet sind. Dann die Mutter fest auf das Schraubgewinde am Auslassadapter schrauben (Abb. 8).
  - Wenn Schläuche mit kleinen Durchmessern verwendet werden, wird der Wasserdurchlauf übermäßig eingeschränkt. Je größer der Durchmesser des verwendeten Schlauches, desto höher die Pumpenleistung. Dies gilt insbesondere für lange Schläuche. Der mitgelieferte Schlauchstutzen eignet sich für Schläuche mit einem Durchmesser von 25 mm (1"), 32 mm (1,25") und 40 mm (1,6") sowie für 3/4"-BSP-Schraubgewinde zum Anbringen von Fontänenzubehör. Wir würden immer empfehlen, dass bei Pumpen dieser Größe der 40-mm-Durchmesser-Schlauch verwendet werden sollte, wenn die Pumpe als Wasserfallpumpe oder in Kombination mit einem Filter eingesetzt wird (Abb. 3). Nach Auswahl des gewünschten Schlauchdurchmessers die Stücke am Schlauchstutzen abschneiden, die kleiner als der Schlauchdurchmesser sind. Auf diese Weise kann das Wasser ungehindert durch den Schlauch laufen (Abb. 9). Einen Schlauch in geeigneter Länge an den Schlauchstutzen anschließen und mit einer geeigneten Schlauchklemme befestigen. Auslassende des Schlauches in die gewünschte Richtung legen.
  - Den Schlauchstutzen direkt auf den Auslassvorsprung des Kugelgelenks schrauben (Abb. 10). Das Kugelgelenk kann gedreht werden, um den Schlauch von der Pumpe weg zu verlegen.
- ### Aufstellen der Pumpe im Teich
- Um die besten Ergebnisse zu erzielen, sollte die Pumpe an der tiefsten Stelle im Teich aufgestellt werden. Dadurch wird die beste Zirkulation des Wassers im Teich gewährleistet. Wenn die Pumpe zum Filtern verwendet wird, maximiert sich hierdurch die Leistung beim Filtern

## Netzanschluss

- ACHTUNG:** Immer alle Stecker von Geräten, die sich im Teich befinden, aus der Steckdose herausziehen, und erst dann die Hände ins Wasser strecken, um Geräte zu installieren, zu reparieren, zu warten oder zu bedienen.
- Die Pumpe darf nur an einer Steckdose angeschlossen werden, deren Netzspannung mit der auf dem Typenschild der Pumpe angegebenen Netzspannung übereinstimmt.
- Die Pumpe wird mit einem 10 m langen dreidradigen Netzkabel ausgeliefert, das fest am Motor angeschlossen und isoliert ist.  
Das Netzkabel kann nicht ersetzt werden. Wenn das Kabel beschädigt ist, muss die Pumpe weggeworfen werden.  
Der mitgelieferte Stecker ist nicht wasserdicht und muss in einem trockenen und wasserdichten Gehäuse untergebracht werden.
- An der Netzstromversorgung muss ein Fehlerstrom-Schutzschalter mit 10 mA oder 30 mA angebracht sein.
- Die Installation muss den nationalen und örtlichen Verdrahtungsvorschriften entsprechen; hierin kann die Verwendung eines Kunststoff- oder Metallisolierrohrs zum Schutz des Kabels eingeschlossen sein.
- ACHTUNG:** Dieses Gerät muss an eine geerdete Steckdose angeschlossen werden.
- Das Pumpenkabel (und das Verlängerungskabel) sollten so verlegt werden, dass sie angemessen vor einer Beschädigung geschützt sind, insbesondere in Bereichen, wo ein Kontakt mit Gartengeräten

von Partikeln.

Um die besten Ergebnisse zu erzielen, sollte die Pumpe nicht direkt auf dem Grund des Teiches aufgestellt werden. Wir empfehlen, die Pumpe auf einer geraden Plattform zu installieren, die ca. 300 mm über dem Grund des Teiches aufgestellt wird. Hierdurch wird verhindert, dass die Pumpe direkt vom Grund des Teiches Schmutz ansaugt. Außerdem wird hierdurch gewährleistet, dass im Falle eines unbeabsichtigten Auslaufens des Teichwassers genügend Wasser im Teich bleibt (siehe Abb. 11).

Die Pumpe niemals am Netzkabel hochziehen, da dies zu Schäden führen kann. Wenn die Pumpe in tiefem Wasser installiert wird, empfehlen wir, eine Schnur am Griff auf dem Siebkäfig zu befestigen, damit die Pumpe leichter aus dem Wasser gehoben werden kann.

### System zum Schutz von Wildleben

13. Wenn Sie Fische oder anderes Wildleben in Ihrem Teich haben, kann es zu einer bestimmten Zeit im Jahr passieren, dass die Fische laichen. In dieser Zeit befinden sich viele sehr kleine Fische im Teich, die leicht in die Pumpe gesogen werden können. Um dieses Risiko zu minimieren, verfügt das Aquaforce-Pumpensortiment über ein einzigartiges System zum Schutz von Wildleben, das die Größe der Öffnungen am Einlasssieb in dieser kritischen Zeit im Lebenszyklus der Fische auf bis zu 2 mm verkleinert. Zur Verwendung dieser Funktion die 4 Stangen des Systems zum Schutz von Wildleben im entsprechenden Bereich im unteren Käfig wie in Abb. 12 gezeigt einsetzen. Dabei darauf achten, dass das System richtig herum eingesetzt wird. Käfigdeckel schließen und Klemmen befestigen. Während das System zum Schutz von Wildleben benutzt wird, muss der Siebkäfig unter Umständen häufiger gereinigt werden. Sobald die Fische oder anderes Wildleben groß genug sind, kann das System zum Schutz von Wildleben aus dem Pumpenkäfig entfernt und die Siebgröße wieder auf die maximale Größe von 6 mm eingestellt werden.

## Wartung

Das Hozelock Cyprio-Sortiment an Aquaforce-Pumpen wurde so konzipiert, dass eine schnelle und leichte Wartung möglich ist. Um die Lebensdauer Ihrer Pumpe zu verlängern und Ihre Pumpe im allerbesten Zustand zu erhalten, sollten die folgenden Wartungshinweise befolgt werden.

**Vorsicht:** Bevor Sie die Hände ins Wasser strecken oder mit der Wartung beginnen, immer die Stecker ALLER Geräte, die sich im Teich befinden, herausziehen.

1. Wenn die Pumpe neu installiert ist, sollte sie täglich kontrolliert werden, um sicherzugehen, dass sie ordnungsgemäß funktioniert.
2. Wenn die Leistung abnimmt (geringer Durchfluss), sollte der Siebkäfig gereinigt werden. Reinigungsabstände variieren je nach dem Zustand des Teichwassers. In den Sommermonaten ist unter Umständen eine wöchentliche Reinigung erforderlich. Zum Reinigen des Siebkäfigs die Klemmen öffnen und die Pumpe herausnehmen. Der Käfig kann jetzt ausgewischt werden, um Partikel zu entfernen, die die Sieblöcher verstopfen, und anschließend in sauberem Wasser ausgespült werden. Es sollte auch geprüft werden, ob die Pumpenkammer und der Rotor frei von Partikeln sind.
3. Mindestens einmal pro Jahr sollte die Pumpe einschließlich der Rotorbaugruppe wie nachstehend beschrieben vollständig auseinandergebaut werden und alle Teile sollten in sauberem, frischem Wasser ausgespült werden. Abgenutzte oder zerbrochene Teile ersetzen.

### Demontage und Montage der Pumpe

### (Abb. 13 (1000) und Abb. 14 (2500 und 4000))

- a. Pumpe ausschalten und den Siebkäfig wie oben beschrieben herausnehmen. Anschließend die Pumpe herausnehmen.
- b. Pumpe erst auseinanderbauen, wenn sie abgekühlt ist.
- c. Die Pumpenkammer (a) lösen, indem Sie sie so lange drehen, bis die beiden Sicherungszungen am Motorgehäuse frei liegen.
- d. Die Pumpenkammer vorsichtig im rechten Winkel vom Motorgehäuse (d) wegziehen.
- e. Die Rotorbaugruppe (c) aus dem Motorgehäuse (d) herausziehen.

**Wichtig!** Aufpassen, dass keine kleinen Teile herunterfallen. Siehe Abb. 15-a für die Montage des Rotors Modell 1000, Abb. 15-b für die Montage des Rotors Modell 2500 und Abb. 15-c für die Montage des Rotors Modell 4000.

- f. Alle Teile in sauberem Wasser auswaschen. Keine Lösungs- oder anderen chemischen Reinigungsmittel verwenden.
  - g. Die Rotorbaugruppe wieder im Motorgehäuse einbauen, die Pumpenkammer wieder einsetzen und anschließend die Pumpe wieder in den Siebkäfig einsetzen.
4. Wenn Sie in einer Hartwassergegend wohnen, sollten die Pumpe, die Rotorbaugruppe und die Innenseite des Motors in regelmäßigen Abständen gereinigt werden. Der erforderliche Reinigungsabstand hängt von der Wasserhärte ab; Sie sollten die Pumpe daher regelmäßig auf Anzeichen von Kalkablagerungen inspizieren.

Zum Entfernen von Kalkablagerungen kann eine kleine Nylonhaarbürste (z. B. eine Zahnbürste) verwendet werden. Pumpe wie oben beschrieben demontieren und den Rotor herausnehmen. Kalkablagerungen auf dem Rotor mit frischem, sauberem Wasser entfernen.

Wenn sich zu viel Kalk abgelagert, kann der thermische Überlastschutz ausgelöst werden (siehe EINFÜHRUNG).

## Winterpflege

1. Die Pumpe sollte im Herbst aus dem Teich herausgenommen werden.
2. Pumpe wie oben beschrieben reinigen.
3. Über den Winter empfehlen wir, die Pumpe in einem Eimer mit Wasser zu lagern. Hierdurch wird verhindert, dass die Lager austrocknen und sich möglicherweise festfressen. Dies ist besonders wichtig, wenn Sie Ihre Pumpe in einer Hartwassergegend benutzt haben. Der Wassereimer mit der Pumpe sollte in einem frostgeschützten Bereich gelagert werden.

## Fehlersuche/Problemlösung

**Wichtig** – Heben Sie diesen Abschnitt auf, damit Sie bei Bedarf jederzeit wieder darauf zurückgreifen können.

### PUMPE FÖRDERT KAUM WASSER

1. Prüfen, ob der Siebkäfig sauber ist.
2. Ein Auslassrohr mit einem kleinen Durchmesser schränkt die Fördermenge der Pumpe ein.
3. Nachsehen, ob die Pumpenkammer verstopft ist.

### PUMPE FÖRDERT NICHT

1. Prüfen, ob die Pumpe eingeschaltet ist.
2. Sicherung, Fehlerstrom-Schutzschalter und Verdrahtung prüfen.

- Prüfen, ob die Rotorbaugruppe klemmt, verstopft, beschädigt oder abgenutzt ist.
- Prüfen, ob der Siebkäfig sauber ist.
- Der thermische Überlastschutz wurde ausgelöst. (siehe EINFÜHRUNG)

## 3+2-Jährige Garantie von Hozelock Cyprio

Sollte diese Pumpe ausschließlich der Rotorbaugruppe innerhalb von 3 Jahren ab Kaufdatum funktionsuntüchtig werden, wird sie nach unserem eigenen Ermessen kostenlos repariert oder ersetzt, sofern sie unserer Ansicht nach nicht beschädigt oder falsch verwendet

wurde. Um diese 3-jährige Garantie auf 5 Jahre zu verlängern, registrieren Sie sich bitte unter <http://register.hozelock.com>.

Es wird keine Haftung für Schäden durch Unfälle, unsachgemäße Installation oder Benutzung übernommen. Die Haftung beschränkt sich auf den Austausch einer defekten Pumpe.

Diese Garantie ist nicht übertragbar. Diese Garantie gilt zusätzlich zu den gesetzlichen Sachmängelrechten und sonstigen Rechten des Käufers. Bei Garantieansprüchen zunächst

an den Kundendienst von Hozelock Cyprio wenden. U. U. muss die Pumpe zusammen mit dem Kaufbeleg direkt an die unten angegebene Adresse gesendet werden.

[www.hozelock.com](http://www.hozelock.com)

### ERSATZTEILE

Ersatzteile	Modellnummer		
	1000	2500	4000
1. Pumpenkammerbaugruppe und Dichtung	Z10005	Z10006	Z10007
2. Rotorbaugruppe	1680	1681	Z10000
3. Auslassadapter mit Gewinde	1682	1682	1682
4. Kugelgelenk	Z10013	Z10013	Z10013
5. Eng zulaufender Schlauchstutzen und Mutter	Z10012	Z10012	Z10012

Leistung*	1000	2500	4000	6000	8000	12000	15000
Aquaforce	1000	2500	4000	6000	8000	12000	15000
Verkäufliche Art.-Nr.	1580	1581	1582	1583	1584	1585	1586
Volt (V)	230V 50Hz	230V 50Hz	230V 50Hz	230V 50Hz	230V 50Hz	230V 50Hz	230V 50Hz
Leistung (W)	25	30	50	65	95	130	180
Maximale Fördermenge, QMax, (l/h)	1000	2500	4000	6000	8000	12000	15000
Maximale Förderhöhe, HMax, (m)	1.5	2.1	2.5	3.5	4.0	5.0	5.7
IP-Schutzart	IPX8	IPX8	IPX8	IPX8	IPX8	IPX8	IPX8
Maximale Tauchtiefe (m)	2.5	2.5	2.5	2.0	2.0	2.0	2.0
Maximale Wassertemperatur TMax, (°C)	35°C	35°C	35°C	35°C	35°C	35°C	35°C
Amphibischer Einsatz	X	X	X	✓	✓	✓	✓

\*Unter kontrollierten Bedingungen gemessen

NL



**INSTALLATIE- EN BEDIENINGSHANDLEIDING.  
LEES DEZE HANDLEIDING AANDACHTIG  
DOOR ALVORENS HET APPARAAT TE  
INSTALLEREN. BEWAAR DE HANDLEIDING VOOR  
LATER GEBRUIK.**

- Dierbeschermingssysteem
- Slangkoppeling & moer
- Kogelscharnier
- Uitlaatadapter
- Pomp
- Filterhuis
- Pompframe (alleen Aquaforce 1000)

## Inleiding

De pomp wordt elektrisch aangedreven en is ontworpen om vaste deeltjes tot een diameter van 6 mm te verpompen met minimaal onderhoud aan de voorzeef. Dit soort pompen is met name geschikt voor het verpompen van water naar externe filters, voor gebruik in watervallen met een hoog debiet of voor waterlooptoepassingen waarbij minimaal onderhoud belangrijk is. De pomp gebruikt geen olie of vet voor smering en kan veilig worden gebruikt in vijvers met vissen of planten. De motor bestaat uit een afgesloten stator en een watergekoelde rotor. Alle elektrische componenten zijn van het water geïsoleerd.

## LET OP

### AUTOMATISCHE AFSLAG

Teneinde een lange levensduur van uw pomp te garanderen en schade te voorkomen, is deze uitgerust met een automatische beveiliging tegen oververhitting. Deze schakelt de pomp uit als hij oververhit raakt. Wanneer dit gebeurt, dient u de stroomtoevoer naar de pomp uit te schakelen. Kijk wat de oorzaak is. Dit komt meestal doordat vuildeeltjes de inlaten van de pomp verstopten of het rotorblad blokkeren. Verwijder het obstakel en wacht tot de pomp is afgekoeld. Zet de pomp dan weer aan.

**N.B. (AQUAFORCE 2500 & 4000): DE POMP ZAL ZICH NIET RESETTEN ALS U DE STROOM NIET VOLLEDIG UITSCHAKELT.**

## Algemene Veiligheidsinstructies

Het niet opvolgen van onderstaande instructies kan verwondingen, productschade of verlies van vissen tot gevolg hebben.

1. Deze pomp is alleen ontworpen voor gebruik in vijvers. Gebruik deze pomp alleen voor het aandrijven van filtersystemen voor vijvers, waterpartijen, watervallen, etc. Gebruik deze pomp niet voor andere dingen (m.a.w. gebruik deze pomp niet voor zwembaden, badkamers, CV-installaties, etc.). Gebruik van dit product voor andere toepassingen kan verwondingen of productschade tot gevolg hebben.

2. Dit apparaat is niet bedoeld voor gebruik door personen (incl. kinderen) die verminderde fysieke, zintuiglijke of mentale capaciteiten, of te weinig ervaring en kennis hebben, tenzij ze van iemand, die verantwoordelijk is voor hun veiligheid, toezicht krijgen of instructies hebben gehad over het gebruik van dit apparaat. Houd toezicht op jonge kinderen om ervoor te zorgen dat ze niet met het apparaat spelen.

**(Alleen Australië & NZ)** Dit apparaat is niet bedoeld voor gebruik door jonge kinderen of zwakkere personen, tenzij een verantwoordelijke hun adequaat begeleidt om ervoor te zorgen dat zij het apparaat veilig kunnen gebruiken. Er moet toezicht worden gehouden op jonge kinderen om ervoor te zorgen dat ze niet met het apparaat spelen.

3. **PAS OP:** Ontkoppel alle apparaten in de vijver of schakel de stroomtoevoer uit, voordat u met uw handen in het water gaat bij het installeren, herstellen, onderhouden of verplaatsen van apparatuur.

4. Gebruik nooit de stroomkabel om de pomp op te tillen; dit kan schade veroorzaken. Wij adviseren om een ophaalkoord aan het handvat op de zeefkooi vast te maken als de pomp diep onder water wordt geïnstalleerd.

5. Gebruik de pomp niet bij vorst en laat deze ook niet in die condities achter.

6. Bescherm de pomp tegen direct zonlicht. Direct zonlicht kan de motor oververhitten.

7. Laat de pomp nooit droog lopen.

8. Gebruik deze pomp niet zonder dat de zeefkooi goed eraan vast zit. Als u de pomp zonder de zeefkooi gebruikt, kan uw garantie vervallen.

9. **LET OP:** Dit product is niet geschikt voor water warmer dan 35°C.

10. **LET OP:** Gebruik dit product niet als de stroomkabel of de motor op enigerlei wijze beschadigd is. De stroomkabel kan niet worden vervangen aangezien deze vast zit in de motorbehuizing en dient derhalve volgens

plaatselijke regelgeving te worden verwijderd.

11. Als u in een gebied woont met hard water (water met een hoog gehalte calcium of kalk), dienen de pomp, de rotoeenheid en de binnenkant van de motor regelmatig te worden gereinigd (zie ONDERHOUD).

12. Gebruik alleen accessoires die zijn ontworpen voor gebruik met dit product. Als u andere accessoires gebruikt, kan uw garantie vervallen.

## Elektrische Aansluitingen

1. **PAS OP:** Ontkoppel alle apparaten in de vijver of schakel de stroomtoevoer uit voordat u met uw handen in het water gaat bij het installeren, herstellen, onderhouden of verplaatsen van apparatuur.

2. Controleer of het op het apparaat aangegeven voltage overeenkomt met de netstroom.

3. De pomp wordt geleverd met een 3-aderige stroomkabel van 10m die permanent en geseald is aangesloten op de motor.

De stroomkabel kan niet worden vervangen. Als de kabel beschadigd is, dient de pomp te worden weggedaan.

De met dit product meegeleverde stekker is niet waterdicht en dient te worden ondergebracht in een droge, waterdichte behuizing.

4. Er dient zich in de stroomtoevoer een aardlekschakelaar van 10 mA of 30 mA te bevinden.

5. De installatie dient te voldoen aan de Nationale en Plaatselijke bedradingsvoorschriften, die mogelijk het gebruik van kunststof of metalen pijpen kunnen bevatten om de kabel te beschermen.

6. **PAS OP:** Dit apparaat moet worden aangesloten op een geaard stopcontact.

7. De pompkabel (en verlengkabel) dient juist te worden geplaatst en voldoende tegen beschadiging te worden beschermd, vooral als deze in contact kan komen met tuingereedschap (grasmaaiers, vorken, etc.), kinderen en huisdieren.

## Installatie

(Fig 3)

## Montage & Installatie Pomp

### MONTAGE

1. Open de klemmen aan beide kanten van de zeefkooi en open de kooi.

2. Verwijder het dierbeschermingssysteem (Fig 1 – a).

3. Verwijder & pak het kogelscharnier, slangkoppeling & uitlaatadapter uit (Fig 1 – b, c, & d).

4. Verwijder de stroomkabel en rol deze af.

5. Schroef de uitlaatadapter op de uitlaat van de pomp. Draai deze niet te vast aan (Fig 4).

6. Plaats de pomp op de montageplaats en zorg ervoor dat de uitlaatadapter in de uitsparing in het onderste deel van de kooi valt (Fig 5).

**NB:** 1000 model: De pomp zit in een frame die aan het onderste deel van kooi vast zit (Fig 1 – g).

7. Plaats de stroomkabel in de uitsparing aan de zijkant van de kooi. Zorg ervoor dat deze in de juiste positie zit, zodat de kabel niet vastklemt als de kooi wordt dichtgemaakt.

(Fig 6).

8. Sluit het deksel van de kooi en zet deze vast door in het midden van de klemmen te drukken (Fig 7).

9. Controleer of de in- en uitlaatnokken van het kogelscharnier op één lijn liggen en draai de moer stevig op het schroefdraad van de uitlaataapter (Fig 8).

10. Gebruik uw slangen met kleine doorlaat leidt tot overmatige restrictie van de waterstroom. Hoe groter de diameter van de slang die u gebruikt, des te beter zullen de prestaties van de pomp zijn, vooral bij grotere slanglengtes. De slangkoppeling die met dit apparaat wordt meegeleverd is geschikt voor slangen van 25 mm (1"), 32 mm (1,25") en 40 mm (1,6"), alsmede een ¾" BSP-schroefdraad voor het bevestigen van fonteinaccessoires. Wij adviseren altijd om voor pompen van deze grootte de slang met een diameter van 40 mm te gebruiken als de pomp wordt gebruikt als watervalpomp of in combinatie met een filter (Fig 3). Zodra u de slangdiameter die u wilt gebruiken heeft geselecteerd, dient u de stappen van de slangkoppeling af te snijden die kleiner zijn dan de slangdiameter om restrictie te voorkomen (Fig 9). Schuif een slang van geschikte lengte om de slangkoppeling, zet deze vast met een geschikte slangklem en plaats het uiteinde van de slang in de gewenste locatie.

11. Schroef de slangkoppeling direct op de uitlaatkop van het kogelscharnier (Fig 10). Het kogelscharnier kan worden gedraaid, zodat de slang bij de pomp vandaan kan worden gehouden.

#### Locatie vijverpomp

12. Voor het beste resultaat dient de pomp in het diepste deel van de vijver te worden geplaatst. Dit zorgt voor de beste circulatie van water in de vijver en bij gebruik als filtratiepomp wordt de capaciteit om vaste deeltjes te transporteren gemaximaliseerd.

Voor het beste resultaat dient de pomp niet direct op de bodem van de vijver te worden geplaatst. Wij adviseren om de pomp op een vlakke, horizontale verhoging te installeren die ongeveer 300 mm boven de bodem van de vijver uitsteekt. Dit voorkomt dat de pomp modder direct van de bodem van de vijver aanzuigt en zorgt er ook voor dat er voldoende water in de vijver blijft staan bij onbedoelde lekkage van vijverwater (zie fig 11).

Gebruik nooit de stroomkabel om de pomp op te tillen; dit kan schade veroorzaken. Wij adviseren om een ophaalkoord aan het handvat op de zeefkooi vast te maken als de pomp diep onder water wordt geïnstalleerd.

#### Dierbeschermingssysteem (DBS)

13. Als u vissen of andere dieren in uw vijver heeft, zijn er periodes tijdens het jaar dat deze zich kunnen voortplanten. Op dat moment zijn de jonge vissen klein en kunnen deze door de pomp worden opgeslokt. Om deze mogelijkheid te minimaliseren heeft de Aquaforce-pompserie een uniek Dierbeschermingssysteem (DBS), dat de grootte van de inlaatzeef tijdens deze cruciale periode in de levenscyclus van de vissen verlaagt naar 2 mm. Om deze functie te gebruiken dient u de 4 pootjes van het DBS zoals beschreven in Fig 12 op de juiste plek in het onderste deel van de kooi te plaatsen en ervoor te zorgen dat het DBS de juiste oriëntatie heeft. Maak de bovenkant van de kooi dicht en zet de klemmen vast. Tijdens gebruik van het DBS kan het zijn dat u de zeefkooi vaker dient schoon te maken. Zodra de vissen of andere dieren voldoende gegroeid zijn, kunt u het DBS uit uw pompkooi verwijderen en de zeefgrootte terugbrengen naar de maximale grootte van 6 mm.

voor snel en eenvoudig onderhoud. Om de levensduur van uw pomp te verlengen en uw pomp in optimale conditie te houden, dient u deze onderhoudsrichtlijnen te volgen.

**Let op:** Ontkoppel of schakel altijd de stekkers van ALLE apparaten in de vijver uit voordat u met uw handen in het water gaat of met het onderhoud begint.

1. Als de pomp pas is geïnstalleerd, dient u dagelijks te controleren of de pomp correct functioneert.
2. Als u merkt dat de prestaties afnemen (laag debiet), dient u de zeefkooi schoon te maken. Schoonmaakintervallen kunnen verschillen, afhankelijk van de kwaliteit van het water in uw vijver. Het kan soms wekelijks zijn tijdens de zomermaanden. Om de zeefkooi te reinigen dient u de klemmen te openen en de pomp te verwijderen. Vuildeeltjes die de gaten van de zeef verstoppen kunnen dan uit de kooi worden verwijderd en de kooi kan in schoon water worden gewassen. U dient ook te controleren of de pompkamer & rotor niet verstopt zijn met vuildeeltjes.
3. Tenminste eenmaal per jaar dient u de pomp inclusief de rotor zoals hieronder beschreven volledig te demonteren en alle componenten in schoon, vers water te wassen. Vervang alle versleten of kapotte onderdelen.

#### Demonteren & monteren pomp (Fig 13 (1000) & Fig 14 (2500 & 4000))

- a. Schakel de pomp uit, verwijder de zeefkooi zoals hierboven beschreven en verwijder de pomp.
- b. Let op dat de pomp is afgekoeld voordat u deze demonteert.
- c. Haal de pompkamer (a) los door deze te roteren totdat de twee klempijpjes niet meer onder de uitsteeksels van de motorbehuizing zitten.
- d. Houd de pompkamer recht en trek deze voorzichtig los van de motorbehuizing (d).
- e. Trek de rotor (c) uit de motorbehuizing (d).

**Let op!** Wees extra voorzichtig dat u geen kleine onderdelen laat vallen. Zie Fig 15-a voor montage van de 1000 rotor, Fig 15-b voor montage van de 2500 rotor en Fig 15-c voor montage van de 4000 rotor.

- f. Was alle onderdelen uit met schoon water. Gebruik geen detergents of andere chemische schoonmaakmiddelen.
  - g. Plaats de rotor terug in de motorbehuizing, zet de pompkamer terug en plaats de pompkamer terug in de zeefkooi.
  4. Als u in een gebied woont met hard water (water met een hoog gehalte calcium of kalk), dienen de pomp, de rotor en de binnenkant van de motor regelmatig te worden gereinigd. Het benodigde reinigingsinterval varieert, afhankelijk van de hardheid van uw water. U dient daarom regelmatig te controleren op tekenen van kalkafzetting.
- Om calcium- of kalkafzettingen te verwijderen kunt u een kleine Nylon borstel gebruiken (zoals een tandenborstel). Ontmantel de pomp zoals boven beschreven en verwijder de rotor. Verwijder met vers, schoon water de kalkafzettingen van de rotor.

Als er zich te veel kalk ophoopt, kan het zijn dat de thermische beveiliging wordt geactiveerd (zie INLEIDING).

## Zorg Tijdens de Winter

1. U dient uw pomp tijdens de herfst uit uw vijver te verwijderen.
2. Maak de pomp zoals boven beschreven schoon.
3. Tijdens de winter adviseren wij om de pomp in een

## Onderhoud

De Hozelock Cyprio-serie Aquaforce-pompen is ontworpen

emmer water te bewaren. Dit is om te voorkomen dat de lagers uitdrogen en mogelijk vastlopen. Dit is vooral van belang als u de pomp in een gebied met hard water heeft gebruikt. De emmer water met de pomp dient te worden opgeslagen in een vorstvrije ruimte.

## Opsporen van Storingen/ Oplossen van Fouten

Belangrijk – Bewaar dit gedeelte voor referentie.

### LAGE STROMING UIT POMP

1. Zorg ervoor dat de zeefkooi schoon is.
2. Een uitlaatpijp met een kleine diameter zal het uitlaatdebiet verkleinen.
3. Zorg ervoor dat er geen verstoppingen zijn in de pompkamer.

### GEEN STROMING UIT POMP

1. Controleer of de stroom is ingeschakeld.
2. Controleer de zekering, aardlekschakelaar en bedrading.
3. Controleer of de rotor niet vast zit, verstopt is, beschadigd is of tekenen vertoont van overmatige slijtage.
4. Zorg ervoor dat de zeefkooi schoon is.
5. De thermische beveiliging is geactiveerd. (zie INLEIDING).

## 3+2 -Jarige Garantie op Hozelock Cyprio

Als deze pomp, exclusief de rotoeenheid, binnen 3 jaar na de aankoopdatum onbruikbaar wordt, zal deze gratis worden gerepareerd of vervangen (door ons te bepalen), tenzij de pomp volgens ons is beschadigd of verkeerd is gebruikt. Om deze 3-jarige garantie te verlengen naar 5 jaar dient u zich te registreren op <http://register.hozelock.com>.

Wij accepteren geen aansprakelijkheid voor schade vanwege ongelukken, onjuiste installatie of onjuist gebruik. Onze aansprakelijkheid beperkt zich tot het vervangen van een kapotte pomp.

Deze garantie is niet overdraagbaar. Het heeft geen gevolgen voor uw wettelijke rechten. Om te profiteren van de garantie, dient u eerst contact op te nemen met de Hozelock Cyprio Klantenservice. Die kan u verzoeken om de pomp met aankoopbewijs direct op te sturen naar onderstaand adres.

[www.hozelock.com](http://www.hozelock.com)

## RESERVEONDERDELEN

	Modelnummer		
	1000	2500	4000
<b>Reserveonderdelen</b>			
1. Pompkamer en afdichting.	Z10005	Z10006	Z10007
2. Rotoeenheid.	1680	1681	Z10000
3. Uitlaadaptar met draad	1682	1682	1682
4. Zorg ervoor dat de zeefkooi schoon is.	Z10013	Z10013	Z10013
5. De thermische beveiliging is geactiveerd. (zie INLEIDING).	Z10012	Z10012	Z10012

## Prestaties\*

Aquaforce	1000	2500	4000	6000	8000	12000	15000
Verkoopbaar onderdeelnummer	1580	1581	1582	1583	1584	1585	1586
Volt (V)	230V 50Hz	230V 50Hz	230V 50Hz	230V 50Hz	230V 50Hz	230V 50Hz	230V 50Hz
Vermogen (W)	25	30	50	65	95	130	180
Max debiet, QMax, (l/uur)	1000	2500	4000	6000	8000	12000	15000
Max drukhoogte, HMax, (m)	1.5	2.1	2.5	3.5	4.0	5.0	5.7
IP-klasse	IPX8	IPX8	IPX8	IPX8	IPX8	IPX8	IPX8
Max diepte voor onderwatergebruik, (m)	2.5	2.5	2.5	2.0	2.0	2.0	2.0
Max watertemperatuur TMax, (°C)	35°C	35°C	35°C	35°C	35°C	35°C	35°C
Amfibisch gebruik	X	X	X	✓	✓	✓	✓

\*Gemeten bij gecontroleerde omstandigheden





**ISTRUZIONI PER L'INSTALLAZIONE E L'USO.  
LEGGERE ATTENTAMENTE LE ISTRUZIONI  
PRIMA DI EFFETTUARE L'INSTALLAZIONE.  
CONSERVARE LE ISTRUZIONI PER FUTURE  
CONSULTAZIONI.**

- Sistema di protezione fauna selvatica
- Raccordo e dado
- Raccordo sferico
- Adattatore uscita
- Pompa
- Gabbietta filtro
- Culla pompa (solo Aquaforce 1000)

## Introduzione

La pompa è alimentata elettricamente ed è stata progettata per pompare particelle solide di 6mm max di diametro, con una pre-manutenzione minima della gabbietta del filtro. Questi tipi di pompe sono particolarmente idonee per il pompaggio dell'acqua ai filtri esterni o per l'utilizzo con cascate o applicazioni con corsi d'acqua ad alta portata dove la ridotta manutenzione è importante. La pompa non utilizza olio o grasso come lubrificanti e quindi può essere impiegata con sicurezza in laghetti contenenti pesci o piante. Il motore consiste di uno statore sigillato e di un rotore raffreddato ad acqua. Tutti i componenti elettrici sono a tenuta stagna.

### ATTENZIONE

#### DISPOSITIVO D'INTERRUZIONE AUTOMATICA

Per assicurare una durata ottimale della pompa e per prevenire possibili danni, la pompa è dotata di un sistema di protezione automatico contro il sovraccarico, che disattiva la pompa in caso di surriscaldamento della stessa. Se ciò dovesse avvenire, scollegare la pompa dall'alimentazione elettrica e verificare la possibile causa. In genere, il disinnesto è causato dall'accumulo di detriti che bloccano l'entrata della pompa o che ostruiscono il girante. Rimuovere l'ostruzione e attendere che la pompa si raffreddi. Riavviare la pompa.

**NOTA (AQUAFORCE 2500 e 4000): PER RESETTARSI, LA POMPA DEVE ESSERE SCOLLEGATA DALLA RETE ELETTRICA.**

## Linee Guida Sulla Sicurezza

**La mancata osservazione delle seguenti avvertenze può risultare in lesioni, danni al prodotto o morte della fauna ittica.**

- Questa pompa deve essere utilizzata solo nei laghetti. Utilizzare questa pompa solo per l'azionamento di sistemi di filtraggio per laghetti, giochi d'acqua, cascate, ecc. Non utilizzare questa pompa per altri scopi (per esempio, in piscine, bagni, impianti di riscaldamento centralizzati, ecc.). L'uso del prodotto per altri scopi può risultare in lesioni personali o danni al prodotto.
- Questo apparecchio non deve essere utilizzato da persone (bambini inclusi) con disabilità fisiche, sensoriali o mentali, o prive dell'esperienza necessaria, tranne nel caso che tali persone siano sotto la supervisione o abbiano ricevuto le necessarie istruzioni da parte di una

persona responsabile della loro sicurezza. I bambini vanno sempre supervisionati per assicurare che non giochino con l'apparecchio.

**(Solo Australia e Nuova Zelanda)** Questo apparecchio non deve essere usato da bambini o persone inferme senza l'adeguata supervisione da parte di una persona responsabile che si assicuri che sappiano utilizzare l'apparecchio in modo sicuro. I bambini vanno sempre supervisionati per assicurare che non giochino con l'apparecchio.

- ATTENZIONE:** Staccare la spina o scollegare dalla rete elettrica tutte le apparecchiature nel laghetto prima di immergere le mani nell'acqua durante l'installazione, la riparazione, il maneggio o la manutenzione delle stesse.
- Non utilizzare il cavo di alimentazione per sollevare la pompa, in quanto si potrebbe danneggiarla. Se la pompa viene installata in acque profonde, consigliamo di usare una fune di sollevamento, fissata alla maniglia sulla gabbietta del filtro.
- Non azionare la pompa in caso di gelo e non lasciarla esposta a temperature rigide.
- Riparare dalla luce diretta del sole. La luce diretta del sole potrebbe causare il surriscaldamento del motore.
- Non azionare la pompa in assenza di acqua.
- Non azionare la pompa senza la gabbietta del filtro. L'utilizzo della pompa priva di filtro potrebbe invalidare la garanzia.
- ATTENZIONE:** questo prodotto non è adatto per temperature dell'acqua superiori ai 35°C.
- ATTENZIONE:** non azionare il prodotto se il cavo dell'alimentazione elettrica o il motore sono danneggiati. Il cavo dell'alimentazione non può essere sostituito, in quanto è racchiuso nell'alloggiamento del motore, e deve essere quindi smaltito secondo le normative locali.
- In caso di acqua dura (ad alto contenuto di calcio o calcare), la pompa, il complessivo rotore e l'interno del motore devono essere puliti a intervalli regolari (vedere MANUTENZIONE).
- Utilizzare solo accessori prodotti per l'uso con questo apparecchio. L'uso di altri accessori potrebbe invalidare la garanzia.

## Collegamenti Elettrici

- ATTENZIONE:** staccare sempre la spina o scollegare dalla rete elettrica tutte le apparecchiature nel laghetto prima di immergere le mani nell'acqua durante l'installazione, la riparazione, il maneggio o la manutenzione delle stesse.
- Verificare che la tensione riportata sull'unità corrisponda a quella dell'alimentazione elettrica.
- La pompa è fornita con un cavo elettrico a tre conduttori di 10 m, permanentemente collegato e sigillato al motore. Il cavo di alimentazione elettrico non può essere sostituito. In caso di danni al cavo, bisognerà sostituire l'intera pompa.
- La spina in dotazione con questo prodotto non è impermeabile e deve essere posizionata in un alloggiamento asciutto e a prova di intemperie.
- Un dispositivo di corrente residua da 10 mA o 30 mA deve essere collegato alla rete elettrica.
- L'installazione deve essere conforme alle normative elettriche locali e nazionali, che possono prevedere l'uso di tubi di plastica o di metallo a protezione del cavo.
- ATTENZIONE:** Questo apparecchio deve essere collegato

a un'alimentazione elettrica messa a terra.

7. Il cavo della pompa (e il cavo della prolunga) deve essere posizionato e protetto in modo adeguato contro danni, soprattutto laddove potrebbe venire in contatto con attrezzature da giardino (tosatrici, forconi, ecc.), bambini o animali domestici.

## Installazione

(Fig. 3)

## Assemblaggio e Installazione della Pompa

### ASSEMBLAGGIO

1. Aprire le clip sui lati della gabbietta del filtro e aprire la gabbietta.
2. Rimuovere il sistema di protezione della fauna selvatica (Fig. 1 – a).
3. Rimuovere e disimballare il giunto sferico, il raccordo e l'adattatore dell'uscita (Fig. 1 – b, c & d).
4. Rimuovere il cavo dell'alimentazione elettrica e svolgere.
5. Avvitare l'adattatore dell'uscita all'uscita della pompa. Non serrare eccessivamente (Fig. 4).
6. Posizionare la pompa sull'area di montaggio, assicurandosi che l'adattatore riposi nella rientranza sulla parte inferiore della gabbietta (Fig. 5).

**Nota** – modello 1000: la pompa s'innesta nella "culla" montata sulla gabbietta inferiore (Fig. 1 - g).

7. Inserire il cavo dell'alimentazione nella rientranza sul lato della gabbietta. Assicurarsi che sia inserito nella posizione corretta e che non rimanga intrappolato quando si chiude la gabbietta (Fig. 6).
8. Chiudere il coperchio della gabbietta esercitando pressione sulla parte centrale delle clip (Fig. 7).
9. Controllando che le borchie dell'ingresso e dell'uscita del giunto sferico siano allineate, avvitare il dado sulla filettatura dell'adattatore dell'uscita (Fig. 8).
10. Flessibili di diametro ridotto limitano eccessivamente il flusso di portata dell'acqua. Maggiore è il diametro del flessibile utilizzato migliori saranno le prestazioni della pompa, soprattutto se si usano flessibili molto lunghi. Il raccordo per il flessibile fornito con questa unità è idoneo per tubi di 25 mm, 32 mm e 40mm di diametro, oltre a filettature da ¾" BSP per il montaggio di accessori da fontana. Per pompe di queste dimensioni, raccomandiamo sempre di utilizzare un flessibile di 40 mm di diametro se si la pompa viene usata per una cascata o in combinazione con un filtro (Figg. 3). Una volta selezionato il diametro desiderato, rimuovere le sezioni del raccordo più piccole, per evitare restrizioni al flusso di portata (Fig. 9). Attaccare un flessibile di lunghezza adeguata al raccordo e assicurarlo con una clip. Disporre la parte terminale del flessibile nella posizione desiderata.
11. Avvitare il raccordo direttamente sulla borchia d'uscita del raccordo sferico (Fig. 10). Il raccordo sferico può essere ruotato per posizionare il tubo nella direzione desiderata.

### Posizionamento della pompa nel laghetto

12. Per un risultato ottimale, la pompa va posizionata nel punto più profondo del laghetto. In questo modo si assicurerà un'efficiente circolazione dell'acqua nel laghetto e, se utilizzata come pompa di filtraggio, le sue capacità di gestione dei solidi saranno massimizzate.

Per un risultato ottimale, la pompa va posizionata direttamente sul fondo del laghetto. Raccomandiamo di

installare la pompa su una piattaforma piana e orizzontale, a circa 30 cm dal fondo del laghetto. In questo modo si impedirà che la pompa risucchi detriti dal fondo del laghetto e si assicurerà che una quantità sufficiente di acqua rimanga nel laghetto nel caso di una perdita accidentale di acqua dal laghetto stesso (vedere Fig. 11).

Non utilizzare il cavo di alimentazione per sollevare la pompa, in quanto si potrebbe danneggiarla. Se la pompa viene installata in acque profonde, consigliamo di usare una fune di sollevamento, fissata alla maniglia sulla gabbietta del filtro.

### Sistema di protezione della fauna selvatica

13. Se il laghetto ospita pesci o altri animali, questi si riprodurranno in determinati mesi dell'anno. In questi periodi, i piccoli, a causa delle loro dimensioni minute, possono essere risucchiati nella pompa. Per minimizzare al massimo questa possibilità, le pompe della gamma Aquaforce sono dotate di un sistema di protezione della fauna selvatica (WPS) che consente di ridurre il diametro del foro d'entrata del filtro a soli 2 mm durante il periodo più critico del ciclo vitale della fauna ittica. Per utilizzare il sistema, basta inserire le quattro gambe del WPS nell'area corrispondente sulla gabbietta inferiore, come mostrato nella Fig. 12, assicurandosi che il WPS sia orientato nella direzione corretta. Chiudere la parte superiore della gabbietta e quindi le clip. Con il WPS in uso, la gabbietta dovrà essere pulita più frequentemente. Una volta che la fauna ittica o di altro tipo ha raggiunto le dimensioni ottimali, si potrà rimuovere il WPS dalla gabbietta e ritornare all'apertura massima di 6mm.

## Manutenzione

La gamma di pompe Aquaforce Hozelock Cyprio è stata ideata per consentire una manutenzione rapida e facile. Per prolungare la vita in servizio della pompa e mantenerla nei migliori condizioni possibili, attenersi a queste linee guida.

**Attenzione:** staccare la spina o scollegare TUTTE le apparecchiature nel laghetto prima di immergere le mani nell'acqua o eseguire la manutenzione.

1. Se la pompa è stata installata da poco, controllarne il funzionamento quotidianamente.
2. Se si nota una caduta nelle prestazioni (portata ridotta), pulire la gabbietta del filtro. Gli intervalli di pulizia dipenderanno dalle condizioni dell'acqua del laghetto. Nei mesi estivi, ciò potrebbe essere anche settimanalmente. Per pulire la gabbietta, aprire le clip e rimuovere la pompa. I detriti che ostruiscono i fori del filtro possono ora essere rimossi. Lavare il complessivo in acqua pulita. Controllare inoltre che la camera e il rotore della pompa non siano ostruiti.
3. Una volta all'anno, smontare completamente la pompa, incluso il gruppo rotore, come spiegato di seguito, e sciacquare tutti i componenti in acqua pulita. Sostituire le parti usurate o danneggiate.

### Smontaggio e assemblaggio della pompa (Fig. 13 [1000] e Fig. 14 [2500 & 4000])

- a. Spegnerla la pompa e rimuovere la gabbietta del filtro, come descritto sopra, e rimuovere la pompa.
- b. Assicurarsi che la pompa si sia raffreddata prima di smontarla.
- c. Sganciare la camera della pompa ruotandola fino a quando i due oggetti a baionetta non siano fuoriusciti dal corpo del motore.
- d. Rimuovere delicatamente la camera della pompa dal corpo motore (d).

e. Estrarre il gruppo rotore (c) dal corpo motore (d).

Importante! Fare attenzione a non far cadere i componenti piccoli. Vedere la Fig. 15-a per l'assemblaggio del rotore della 1000, la Fig. 15-b per l'assemblaggio del rotore della 2500 e la Fig. 15-c per l'assemblaggio del rotore della 4000.

f. Sciacquare tutti i componenti in acqua pulita. Non utilizzare prodotti detergenti o chimici.

g. Rimontare il complessivo rotore nel corpo motore, rimontare la camera della pompa e quindi la pompa nella gabbietta del filtro.

4. In caso di acqua dura (ad alto contenuto di calcio o calcare), la pompa, il complessivo rotore e l'interno del motore devono essere puliti a intervalli regolari.

L'intervallo di pulizia dipenderà dalla durezza dell'acqua; si raccomanda di ispezionare la pompa regolarmente per possibili accumuli di calcio.

Per rimuovere i depositi di calcio o calcare, utilizzare una piccola spazzola dotata di setole di nylon (come uno spazzolino da denti). Smontare la pompa come descritto sopra e rimuovere il motore. Rimuovere i depositi di calcare dal rotore con acqua pulita.

In caso di un eccessivo accumulo di calcio, la protezione contro il surriscaldamento termico potrebbe attivarsi (vedere INTRODUZIONE).

## Manutenzione Invernale

1. La pompa va rimossa dal laghetto nei mesi autunnali.

2. Pulire la pompa, come descritto sopra.

3. In inverno, raccomandiamo di riporre la pompa in un secchio d'acqua per prevenire che i cuscinetti si asciughino completamente e grippino. Ciò è particolarmente importante se la pompa è stata utilizzata in un'area dall'acqua dura. Il secchio d'acqua contenente la pompa va immagazzinato in un ambiente non soggetto a gelate.

## Ricerca Guasti/Risoluzione dei Problemi

Importante – conservare questa sezione per eventuali consultazioni future.

### PORTATA RIDOTTA DALLA POMPA

1. Controllare che la gabbietta del filtro sia pulita.
2. Un flessibile di diametro ridotto impedirà il normale flusso di uscita dalla pompa.
3. Assicurarsi che la camera della pompa non sia ostruita.

### PORTATA ASSENTE DALLA POMPA

1. Controllare che la pompa sia collegata alla rete elettrica.
2. Controllare il fusibile, l'interruttore differenziale e le connessioni elettriche.
3. Controllare che il gruppo rotore non si sia inceppato, bloccato, danneggiato o eccessivamente usurato.
4. Controllare che la gabbietta del filtro sia pulita.
5. Attivazione della protezione termica (vedere INTRODUZIONE).

## Garanzia 3+2 Hozelock Cyprio

Se la pompa, gruppo rotore escluso, dovesse diventare inutilizzabile entro 3 anni dalla data dell'acquisto, sarà riparata o sostituita a nostra scelta, gratuitamente, sempre che, a nostro parere, l'unità non sia stata danneggiata o utilizzata in modo improprio. Per estendere la garanzia triennale a 5 anni, basta registrarsi presso <http://register.hozelock.com>.

Non si accettano responsabilità per danni causati da incidenti, installazione o uso impropri. La responsabilità è limitata alla sostituzione di una pompa difettosa.

Questa garanzia non è trasferibile e non incide sui diritti statutari del consumatore. Per beneficiare di questa garanzia, contattare il servizio consumatori di Hozelock Cyprio, che potrà richiedere la spedizione della pompa, con prova di acquisto, direttamente all'indirizzo qui sotto.

[www.hozelock.com](http://www.hozelock.com)

### Prestazioni \*


Aquaforce	1000	2500	4000	6000	8000	12000	15000
Numero parte vendibile	1580	1581	1582	1583	1584	1585	1586
Volt (V)	230V 50Hz	230V 50Hz	230V 50Hz	230V 50Hz	230V 50Hz	230V 50Hz	230V 50Hz
Potenza (W)	25	30	50	65	95	130	180
Portata massima, QMax, (l/hr)	1000	2500	4000	6000	8000	12000	15000
Prevalenza massima, HMax, (m)	1.5	2.1	2.5	3.5	4.0	5.0	5.7
Rating IP	IPX8	IPX8	IPX8	IPX8	IPX8	IPX8	IPX8
Profondità massima immersione, (m)	2.5	2.5	2.5	2.0	2.0	2.0	2.0
Temperatura acqua massima TMax, (°C)	35°C	35°C	35°C	35°C	35°C	35°C	35°C
Uso anfibo	X	X	X	✓	✓	✓	✓

\*Misurato in condizioni controllate

## RICAMBI

Parti di ricambio	Numero modello		
	1000	2500	4000
1. Gruppo alloggiamento pompa e guarnizione	Z10005	Z10006	Z10007
2. Gruppo rotore	1680	1681	Z10000
3. Adattatore uscita filettata	1682	1682	1682
4. Giunto sferico	Z10013	Z10013	Z10013
5. Raccordo a gradini e dado	Z10012	Z10012	Z10012

## E

 **ISTRUZIONI DI INSTALLAZIONE E OPERAZIONE. LEGGERE LE ISTRUZIONI CON ATTENZIONE PRIMA DI COMINCIARE L'INSTALLAZIONE. CONSERVARE QUESTE ISTRUZIONI PER CONSULTA FUTURA.**

- a. Sistema di protezione della fauna
- b. Accoppiamento di estremità di tubo e flange
- c. Giunzione di valvola
- d. Adattatore di uscita
- e. Bomba
- f. Gabbia del filtro
- g. Supporto della pompa (Aquaforce 1000 solo)

## Introduzione

Questa pompa funziona a base di elettricità, ed è stata progettata con l'intento di consentire di pompare particelle solide con un diametro massimo di 6 mm, con un minimo di manutenzione del filtro. Le pompe di questo tipo sono particolarmente adatte per pompare acqua verso i filtri esterni o per applicazioni in cascate o canali con un alto flusso dove sia importante poter contare su un basso livello di manutenzione. Non è richiesto olio né grasso per la manutenzione della pompa, e si può utilizzare senza pericolo in un serbatoio che contenga pesci o piante. Il motore è costituito da un motore sigillato e un rotore raffreddato con acqua. Tutti i componenti elettrici sono isolati dall'acqua.

### AVVISO IMPORTANTE

#### DISCONNESSIONE AUTOMATICA

Per garantire che la pompa duri a lungo, viene fornito con un sistema incorporato di protezione contro il sovraccarico termico, che spegne la pompa in caso di surriscaldamento. Se ciò accadesse, deve essere disconnessa l'elettricità dalla fonte di energia della rete che va alla pompa, e verificare la causa. Questa situazione si verifica a causa della presenza di rifiuti che ostruiscono l'ingresso della pompa o il motore. Rimuovere l'ostruzione, e attendere che la pompa si raffreddi. Quindi si può riconnettere la pompa nuovamente.

**NOTA (AQUAFORCE 2500 Y 4000): PER LA POMPA RITORNARE ALLO STATO DI FUNZIONAMENTO, È NECESSARIO DISCONNETTERE LA ELETTRICITÀ DELLA RETE CHE ALIMENTA LA POMPA.**

## Linee Guida Generali di Sicurezza

Il mancato rispetto delle seguenti avvertenze può causare lesioni, danni o la morte di pesci.

- Questa pompa è progettata per essere utilizzata solo in serbatoi. Deve essere utilizzata solo per sistemi di filtrazione di serbatoi, decorazioni acquatiche, cascate d'acqua, ecc. Non deve essere utilizzata per altri scopi. (Ad esempio, non utilizzare questa pompa in piscine, bagni, sistemi di riscaldamento centrale, ecc.) Se il prodotto viene utilizzato per un'altra applicazione, può causare lesioni o danni al prodotto.
- Questo apparecchio non è progettato per essere utilizzato da persone (tra cui, per età, per minore età) che abbiano ridotta capacità fisica, sensoriale o mentale, o da persone che non abbiano esperienza e conoscenze, o da persone che non abbiano supervisione o istruzione in merito all'uso dell'apparecchio, o da parte di una persona responsabile della sua sicurezza. Si deve supervisionare i bambini per evitare che giochino con questo apparecchio.

**(Australia e Nuova Zelanda solo)** Questo apparecchio non è progettato per essere utilizzato da bambini di corta età o da persone inferme o da persone che non abbiano supervisione adeguata con l'intento di garantire che possano utilizzarlo in sicurezza. Si deve supervisionare i bambini per evitare che giochino con questo apparecchio.

- AVVERTENZA:** Prima di introdurre le mani nell'acqua durante l'installazione, la riparazione, la manutenzione o la manipolazione dell'equipaggiamento, sempre si deve scollegare o disconnettere la fonte di energia da tutti gli apparecchi che si trovano nell'acquario.
- Non si deve utilizzare il cavo elettrico per sollevare la pompa, poiché si può danneggiare. Per sollevare la pompa quando è in acqua profonda, si raccomanda di installare una corda nella gabbia del filtro.
- Non si deve far funzionare la pompa durante le gelate, o lasciarla in un luogo esposto alle stesse.
- Si deve proteggere la pompa dalla luce solare diretta, che può surriscaldare il motore.
- Non si deve lasciare che la pompa funzioni a secco.
- Non si deve far funzionare questa pompa senza installarla prima nella gabbia del filtro. Può rimanere senza garanzia se si utilizza la pompa senza la gabbia del filtro.
- AVVISO IMPORTANTE:** Questo prodotto non è adatto per essere utilizzato in acqua la cui temperatura superi i 35°C.
- AVVISO IMPORTANTE:** Non si deve far funzionare questo prodotto se si danneggia il motore o il cavo che trasporta l'elettricità dalla rete alla pompa. Il cavo elettrico non può essere sostituito perché viene fornito in forma permanente nella carcassa del motore, e per questo deve

desecharse de acuerdo a los reglamentos de la autoridad local.

11. Si Ud. reside en una zona de agua dura (agua con un elevado contenido de calcio o de cal), se debe limpiar regularmente la bomba, en conjunto del rotor y la parte inferior del motor. (Ver MANTENIMIENTO).

12. Debe usar únicamente aquellos accesorios que hayan sido diseñados para uso con este producto. Se puede invalidar su garantía si se usan otros accesorios.

## Conexiones Eléctricas

- ADVERTENCIA:** Antes de introducir las manos en el agua durante la instalación, reparación, mantenimiento o manipulación del equipo, siempre hay que desenchufar o desconectar de la fuente de energía todos los aparatos que se encuentren en el estanque.
- Se debe comprobar que el voltaje que se señala en la bomba corresponda al voltaje del suministro de la red.
- La bomba viene con un cable eléctrico de 3 almas, con una longitud de 10 m, que viene sellado y conectado en forma permanente con el motor.  
No se puede cambiar el cable eléctrico. En caso de que el cable se dañara, habría que desechar la bomba.  
El enchufe que viene con este producto no es impermeable, y se debe colocarlo en una caja protectora seca y a prueba de intemperie.
- Es imprescindible instalar en la fuente de suministro de la red un dispositivo de corriente residual de 10mA o 30mA.
- La instalación debe cumplir con los reglamentos de las autoridades nacionales y locales de electricidad, lo cual puede incluir el uso de un conducto de plástico o metal para proteger el cable.
- ADVERTENCIA:** Es imprescindible que la fuente de energía de este aparato cuente con una conexión a tierra.
- El cable de la bomba (y el cable de extensión) debe contar con protección apropiada para que no se dañe, especialmente en caso de existir la posibilidad de contacto con equipos de jardinería (cortacéspedes, horquillas etc.), niños y animales domésticos.

## Instalación

(Fig 3)

## Ensamblaje e Instalación de la Bomba

### ENSAMBLAJE

- Abra los ganchos que se hallan en ambos extremos de la jaula del tamiz, y abra la jaula.
- Saque el sistema de protección de la fauna acuática (Fig – a).
- Saque la articulación de rótula, acoplamiento de extremo de de manguera y adaptador de la salida (Fig 1 – b, c y d).
- Saque y desenrolle el cable de suministro de la red.
- Atornille el adaptador de salida en la salida de la bomba. No lo debe ajustar excesivamente. (Fig 4).
- Coloque la bomba en su posición, procurando que el adaptador de salida quede en el nicho en la parte inferior de la jaula (Fig 5).

**Nota:** Modelo 1000: La bomba se instala en un soporte que está sujeto en la jaula inferior (Fig 1 - g).

- Coloque el cable de suministro de la red en el nicho que se halla en el lado de la jaula. Se debe procurar que el cable se sitúe en posición correcta, de tal manera que el cable no quede atrapado al cerrar la jaula. (Fig 6).
- Cierre la tapa de la jaula, apriete la parte del medio de los ganchos para sujetarla. (Fig 7).
- Compruebe que la salida y entrada de la articulación de rótula estén en la posición correspondiente, y atornille la tuerca firmemente sobre la rosca del adaptador de salida (Fig 8).
- El flujo del agua se restringe demasiado si se usan mangueras de diámetro pequeño. Cuanto mayor sea el diámetro de la manguera que se use, mejor será el rendimiento de la bomba, especialmente cuando se trata de largos tramos de manguera. El acoplamiento de extremo de manguera que viene con esta unidad soporta mangueras de 25 mm, 32 mm y 40 mm, y además viene con una rosca de 20 mm para instalar accesorios para fuente. Siempre recomendamos que con bombas de este tamaño se use una manguera con diámetro de 40 mm cuando se usa la bomba para una cascada o en combinación con un sistema de filtración (Fig 3). Una vez que haya determinado el diámetro de la manguera que va a usar, para que no haya restricción, debe cortar aquellas graduaciones del acoplamiento de extremo de manguera que sean más pequeñas que el diámetro de la manguera (Fig 9). Conecte al acoplamiento de extremo de manguera un tramo de manguera de la longitud correspondiente, y sujételo con un gancho de manguera apropiado, colocando la salida de la manguera en la posición requerida.
- Atornille el acoplamiento de extremo de manguera determinado sobre el saliente de la salida de la articulación de rótula (Fig 10). Se puede hacer girar la articulación de rótula para permitir orientar la manguera en sentido contrario a la posición de la bomba.

### Posición de la bomba del estanque

12. Para óptimos resultados, se debe colocar la bomba en parte más profunda del estanque. De esta manera, se puede optimizar la circulación del agua dentro del estanque, y cuando se usa como bomba de filtración, se optimiza su capacidad de manipulación de partículas sólidas.

Para óptimos resultados, no se debe colocar la bomba directamente sobre el fondo del estanque, recomendamos instalar la bomba en una plataforma nivelada que esté a unos 300 mm del fondo del estanque. De esta manera, se puede evitar que la bomba succione suciedad directamente del fondo del estanque, y también se garantiza que quede suficiente agua en el estanque en caso de algún escape imprevisto del agua del estanque (Ver la fig 11).

No se debe usar el cable eléctrico para levantar la bomba, porque se puede dañar. Para poder levantar la bomba cuando está en agua profunda, recomendamos instalar una cuerda en la jaula del filtro.

### Sistema de protección de la fauna acuática

13. Si su estanque contiene peces u otra fauna acuática, es posible que haya determinadas épocas del año en que estas especies se reproducen. En estas épocas, los peces son pequeños, y pueden ser aspirados por la bomba. Para reducir al mínimo esta posibilidad, la gama de bombas Aquaforce cuenta con un sistema exclusivo para proteger la fauna acuática, reduciendo la entrada al filtro, en esta época crítica del ciclo vital de los peces, a 2 mm. Para usar este sistema, introduzca las 4 patas del sistema de protección de la fauna acuática en la parte correspondiente de la jaula inferior, tal como se demuestra en la Fig 12, procurando que el sistema tenga una orientación correcta. Cierre la tapa de la jaula, y sujete los ganchos. Cuando se

esté usando este sistema de protección, es posible que sea necesario destapar más frecuentemente la jaula del sistema de filtración. Una vez que los peces u otra fauna acuática hayan alcanzado el tamaño suficiente, se puede sacar el sistema de protección de la jaula de la bomba, reajustando el diámetro del tamiz, dejándolo en su tamaño máximo de 6 mm.

## Mantenimiento

La gama de bombas Aquaforce de Hozelock Cyprío ha sido diseñada para permitir mantenimiento rápido y fácil. Para prolongar la vida útil de su bomba, conservándola en óptimas condiciones de funcionamiento, debe observar las siguientes directrices para su mantenimiento.

**Precaución:** Antes de introducir las manos en el agua o empezar trabajos de mantenimiento, siempre hay que desenchufar o desconectar de la fuente de energía TODOS los aparatos que se encuentren en el estanque.

1. Cuando la bomba esté recién instalada, se debe revisar todos los días para constatar que esté funcionando correctamente.
2. Si observara una baja de rendimiento (poco caudal), debe limpiar la jaula del tamiz. La frecuencia de la limpieza varía según la condición del agua del estanque. En los meses de verano, puede ser hasta una vez a la semana. Para limpiar la jaula del tamiz, abra los ganchos y saque la bomba para poder sacar los desechos que estén tapando los orificios del filtro, y luego lavar con agua limpia. También debe comprobar que no exista ningún obstáculo por desechos en la cámara de la bomba ni en el rotor.
3. Por lo menos una vez al año, debe desarmar la bomba completamente, lo cual incluye el conjunto del rotor, tal como se señala a continuación, y lavar todos los componentes en agua limpia y fresca. Cambiar cualquier pieza desgastada o rota.

### Desmantelamiento y ensamblaje de la bomba (Fig. 13 (1000) y Fig 14 (2500 y 4000))

- a. Apague la bomba y saque la jaula del tamiz, tal como se señala más arriba, y luego saque la bomba.
- b. Espere que la bomba se enfríe antes de desmantelarla.
- c. Para soltar la cámara de la bomba (a) hágala girar hasta que las dos lengüetas de sujeción salgan de los sujetadores que se encuentran en el motor.
- d. Tire suavemente de la cámara de la bomba para separarla del motor (d).
- e. Tire del conjunto del rotor © para sacarlo del motor (d). ¡Importante! Tenga cuidado especial de no dejar caer ninguno de los componentes pequeños. Para ensamblaje del rotor del modelo 1000, ver la Fig 15-a, para el rotor del 2500, ver la Fig 15-b, y para el rotor del 4000 ver la Fig 15-c.
- f. Lave todos los componentes con agua limpia. No debe usar detergentes ni productos químicos de limpieza.
- g. Vuelva a instalar el conjunto del rotor en el motor y la cámara de la bomba, y vuelva a instalar la bomba en la jaula del tamiz.
4. Si Ud. reside en una zona de agua dura (agua con un elevado contenido de calcio o de cal), se debe limpiar regularmente la bomba, el conjunto del rotor y la parte interior del motor. La frecuencia de la limpieza que se requiere varía según la dureza del agua, de manera que se debe revisar el equipo regularmente para constatar si hay indicios de acumulación de calcio.

Se puede usar una pequeña escobilla de nylon (como un cepillo dental) para sacar los depósitos de calcio o cal. Desmantele la bomba de la manera que se señala más

arriba, y saque el rotor. Use agua fresca y limpia para sacar depósitos de cal en el rotor.

Si se acumularan en exceso los depósitos de calcio, es posible que se active el sistema de protección contra sobrecarga térmica (Ver la INTRODUCCIÓN).

## Cuidado Durante el Invierno

1. En el otoño se debe sacar la bomba del estanque.
2. Limpie la bomba de la manera señalada más arriba.
3. Durante el invierno, recomendamos guardar la bomba en un cubo de agua, para evitar que se sequen, y potencialmente se agarroten los cojinetes. Esto es especialmente importante si Ud. ha usado la bomba en una zona con agua dura. El cubo de agua que contiene la bomba debe guardarse en un lugar protegido contra las heladas.

## Identificación/Resolución de Averías

Importante – Debe guardar esta sección para consulta futura.

### POCO CAUDAL DE LA BOMBA

1. Compruebe que esté limpia la jaula del tamiz.
2. Se limita el caudal de salida si el tubo de salida es de diámetro pequeño.
3. Procure que no exista ningún obstáculo en la cámara de la bomba.

### NO FLUYE AGUA DE LA BOMBA

1. Compruebe que esté encendido el suministro de electricidad.
2. Revise el fusible, el dispositivo de corriente residual y el cableado.
3. Compruebe que el conjunto del rotor no se encuentre atascado, bloqueado, dañado ni excesivamente desgastado.
4. Procure que la jaula del tamiz esté limpia.
5. Es posible que se haya activado el sistema de protección contra sobrecarga térmica. (ver la INTRODUCCIÓN).

## Garantía de 3+2 Años de Hozelock Cyprío

Si dentro de 3 años de la fecha de compra, esta bomba quedara fuera de servicio, se reparará o se reemplazará gratuitamente, a nuestra discreción, a menos que, a nuestro juicio, haya sido dañada o usada inapropiadamente. Para extender esta garantía a 5 años, rogamos subscribirse en <http://register.hozelock.com>.

No se acepta responsabilidad por daños que se hayan producido por accidente, instalación o uso inapropiados. La empresa acepta responsabilidad solamente para reemplazar una bomba defectuosa.

Esta garantía no es transferible. No afecta sus derechos estatutarios. Para aprovechar los beneficios que ofrece la garantía, debe contactar primero al Servicio de Atención al Cliente de Hozelock Cyprío, que puede solicitar se remita la bomba junto con el recibo de compra, directamente a la dirección que se señala a continuación.

[www.hozelock.com](http://www.hozelock.com)

## PIEZAS DE REPUESTO

	Número del modelo		
	1000	2500	4000
<b>Piezas de repuesto</b>			
1. Conjunto de cámara y sello de la bomba	Z10005	Z10006	Z10007
2. Conjunto del rotor	1680	1681	Z10000
3. Adaptador roscado de salida	1682	1682	1682
4. Articulación de rótula	Z10013	Z10013	Z10013
5. Acoplamiento de extremo de manguera graduado y tuerca	Z10012	Z10012	Z10012

## Rendimiento\*

Aquaforce	1000	2500	4000	6000	8000	12000	15000
Número des pièces vendables	1580	1581	1582	1583	1584	1585	1586
Voltios (v)	230V 50Hz	230V 50Hz	230V 50Hz	230V 50Hz	230V 50Hz	230V 50Hz	230V 50Hz
Vatios (V.)	25	30	50	65	95	130	180
Caudal máximo, QMax, (l/h)	1000	2500	4000	6000	8000	12000	15000
Presión máxima, HMax, (m)	1.5	2.1	2.5	3.5	4.0	5.0	5.7
Calificación IP	IPX8	IPX8	IPX8	IPX8	IPX8	IPX8	IPX8
Profundidad máxima de sumersión (m)	2.5	2.5	2.5	2.0	2.0	2.0	2.0
Temperatura máxima del agua TMax, (°C)	35°C	35°C	35°C	35°C	35°C	35°C	35°C
Uso anfíbio	X	X	X	✓	✓	✓	✓

\*Evaluada en condiciones de laboratorio

## S

### INSTRUCCIONES FÖR INSTALLATION OCH ANVÄNDNING – LÄS ANVISNINGARNA NOGA INNAN INSTALLATIONEN INLEDTS. SPARA DESSA INSTRUCCIONES FÖR FRAMTIDA BRUK.

- Skydd för djurlivet
- Slanganslutningstapp och mutter
- Kulled
- Utloppsadapter
- Pump
- Filterbur
- Pumpvagg (endast Aquaforce 1000)

## Inledning

Pumpen är eldriven och konstruerad för att pumpa fasta partiklar med upp till 6 mm diameter. Den kräver minimalt underhåll före silen. Denna pumptyp är speciellt lämplig för att pumpa vatten till externa filter eller för användning i kraftiga vattenfall eller vattenvägar, där det är viktigt att

det inte krävs mycket underhåll. Pumpen behöver inte smörjas med olja eller fett och kan användas utan risk i dammar med fisk eller växter. Motorn består av en förseglad stator och vattenkyld rotor. Alla elektriska komponenter är isolerade från vattnet.

## OBS!

### AUTOMATISKT FRÅNSLAGNINGSDON

För att göra pumpen hållbar och skydda mot skador är den utrustad med automatiskt överbelastningsskydd. Detta stänger av pumpen om den blir överhettad. Om detta inträffar ska du stänga av strömmen vid nätaggregatet till pumpen. Ta reda på orsaken. Ofta är det skräp som blockerar pumpinloppen eller hindrar pumpshjulet. Avlägsna blockeringen och vänta tills pumpen har svalnat. Koppla sedan på pumpen igen.

**ANM. (AQUAFORCE 2500 och 4000): DU MÅSTE STÄNGA AV NÄTAGGREGATET FÖR ATT PUMPEN SKA KUNNA ÅTERSTÄLLAS.**

## Allmänna Riktlinjer för Säkerhet

Om anvisningarna nedan inte följs, kan det medföra att personer eller produkter skadas eller att fisken förloras.

1. Denna pump är endast avsedd att användas i en damm.

Pumpen får bara användas till att driva dammfiltersystem, fontäner, vattenfall o.s.v. Använd inte pumpen till något annat ändamål (t.ex. simbassänger, badrum, centralvärmesystem o.s.v.). Om den används till något annat ändamål kan det leda till att personer eller pumpen skadas.

2. Pumpen är inte avsedd att användas av personer (inklusive barn) med nedsatt fysisk, sensorisk eller psykisk förmåga eller bristande erfarenhet och kunskap, såvida de inte övervakas eller har instruerats i pumpens användning av en person som har ansvar för deras säkerhet. Barn måste övervakas för att se till att de inte leker med pumpen.

(Endast Australien och Nya Zeeland) Pumpen är inte avsedd att användas av småbarn eller orkeslösa personer utan tillräcklig övervakning av en ansvarig person för att säkerställa att de använder apparaten på ett säkert sätt. Småbarn måste övervakas för att se till att de inte leker med pumpen.

3. **WARNING!** Bryt alltid strömmen till alla apparater i dammen innan du sätter ned händerna i vattnet när utrustningen ska installeras, repareras, underhålls eller hanteras.

4. Lyft aldrig pumpen med nätsladden eftersom det kan vålla skador. Bästa metoden är att fästa en lyftlina i handtaget på silburen när pumpen är installerad i djupt vatten.

5. Pumpen ska inte köras eller sitta i temperaturer under noll.

6. Skydda pumpen mot direkt solljus. Det kan göra att motorn överhettas.

7. Låt aldrig pumpen gå torr.

8. Kör inte pumpen utan att silburen är rätt påsatt. Om pumpen används utan silburen kan garantin bli ogiltig.

9. **OBS!** Denna produkt lämpar sig inte för vattentemperaturer över 35 °C.

10. **OBS!** Kör inte pumpen om nätsladden eller motorn har skadats på något sätt. Nätsladden kan inte bytas ut eftersom den är permanent inkapslad i motorhuset. Den måste därför bortskaffas enligt gällande bestämmelser.

11. Om du bor i ett område med hårt vatten (vatten med hög halt av kalcium eller kalkavkagringar) ska pumpen, rotorn och motorns inre rengöras regelbundet (se UNDERHÅLL).

12. Använd endast tillbehör som har konstruerats för att användas med denna produkt. Om andra tillbehör används kan det göra garantin ogiltig.

## Elektrisk Anslutning

1. **WARNING!** Bryt alltid strömmen till alla apparater i dammen innan du sätter ned händerna i vattnet när utrustningen ska installeras, repareras, underhålls eller hanteras.

2. Kontrollera att spänningen som anges på enheten stämmer med nätaggregatet.

3. Pumpen levereras med en 10 m lång 3-kärnig elkabel som är permanent ansluten och förseglad på motorn. Nätsladden kan inte bytas ut. Om sladden skadas måste pumpen kasseras.

Stickproppen som medföljer produkten är inte vattentät utan måste placeras i ett torrt, vattentätt hölje.

4. En 10 mA eller 30 mA restströmanordning (RCD) måste monteras på nätaggregatet.

5. Installationen måste stämma med alla gällande bestämmelser för ledningsdragning, vid behov med

skyddsdrövr av plast eller metall kring kabeln.

6. **WARNING!** Denna apparat måste anslutas till en jordad spänningskälla.

7. Pumpsledaden (och förlängningskabeln) ska dras och skyddas väl mot skador, i synnerhet där det finns risk för kontakt med trädgårdsutrustning (gräsklippare, grep o.s.v.), barn och husdjur.

## Installation

(Fig. 3)

## Pumpens Hopmontering och Installation

### HOPMONTERING

1. Öppna klämmorna i vardera änden på silburen och öppna buren.

2. Ta ut djurskyddet (Fig. 1a).

3. Ta ut och packa upp kullelden, slanganslutningstappen och adaptern (fig. 1b, c och d).

4. Ta ut nätsladden och linda av den.

5. Skruva fast utloppsadaptern på pumputloppet. Dra inte åt för hårt (fig. 4).

6. Placera pumpen på monteringsplatsen och se efter att utloppsadaptern vilar i nedre delen av buren (fig. 5).

**Anm.** modell 1000: Pumpen sitter i en vagga som är fäst på burens nedre del (fig. 1g).

7. Placera nätsladden i försänkningen på sidan av buren. Se efter att den sitter i rätt läge så att sladden inte fastnar när buren stängs. (Fig 6)

8. Stäng burlocket och fäst genom att trycka mitt på klämmorna (fig. 7).

9. Kontrollera att kulleldens in- och utloppsnav är i linje och skruva fast muttern på utloppsadapters skruvgånga (fig. 8).

10. Om man använder smala slangar leder det till för stor åtstrykning av vattenflödet. Ju större slangdiametern är desto bättre fungerar pumpen, speciellt över långa slanglängder. Slanganslutningstappen som medföljer pumpen kan ta 25 mm, 32 mm och 40 mm slang samt en 3/4" BSP skruvgånga för montering av fontäntillbehör. För pumpar i den här storleken rekommenderar vi alltid slangen med 40 mm diameter när pumpen används som vattenfallspump eller i kombination med ett filter (fig. 2 och 3). När du har valt vilken slangdiameter du vill använda, ska du kapa av de steg på slanganslutningstappen som är smalare än slangdiametern för att undvika åtstrykning (fig. 9). Sätt fast en lämplig slanglängd på slanganslutningstappen, säkra med en lämplig slangklämma och placera slangens utloppsände i önskat läge.

11. Skruva fast slanganslutningstappen direkt på kulleldens utloppsnav (fig. 10). Kullelden kan vridas så att slangen kan riktas bort från pumpen.

### Pumpens läge i dammen

12. För bästa resultat ska pumpen placeras i dammens djupaste del. Detta garanterar bästa vattencirkulation i dammen, och när pumpen används som filtreringspump maximeras dess kapacitet att hantera fast material.

För bästa resultat ska pumpen inte placeras direkt på botten av dammen. Vi rekommenderar att pumpen installeras på en plan, jämn plattform som står cirka 30 cm ovanför dammens botten. Detta hindrar att pumpen suger



in jord direkt från dammens botten och garanterar att det finns tillräckligt mycket vatten kvar i dammen om det skulle börja läcka vatten ur dammen (se fig. 11).

Lyft aldrig pumpen med nätsladden eftersom det kan vålla skador. Bästa metoden är att fästa en lyftlina i handtaget på silburen när pumpen är installerad i djupt vatten.

### Djurskyddssystem

13. Om det finns fisk eller annat djurliv i dammen kanske de fortplanter sig under vissa delar av året. Under dessa perioder är ynglen små och kan sugas in i pumpen. För att minska den risken har pumparna i Aquaforce-serien ett unikt djurskyddssystem som minskar hälens storlek i inloppssilen till 2 mm vid denna kritiska tidpunkt i fiskarnas livscykel. Om du vill utnyttja denna funktion ska du placera skyddssystemets 4 ben i motsvarande ställen i burens nedre del, se fig. 12. Se till att skyddssystemet är vänt åt rätt håll. Stäng filterlocket och fäst klämmorna. Medan skyddssystemet är i bruk måste du avlägsna blockeringar i silburen oftare. När fisk eller andra djur har vuxit sig tillräckligt stora kan du ta bort skyddssystemet från pumpens bur och återföra silstorleken till dess maximala 6 mm.

## UNDERHÅLL

Aquaforce-pumparna i serien Hozelock Cyprio är konstruerade för att underhållsarbetet ska gå snabbt och lätt. Följ dessa riktlinjer för underhållet så att pumpen håller längre och är i bästa möjliga skick.

**Obs!** Bryt alltid strömmen till ALLA apparater i dammen innan du sätter ned händerna i vattnet eller påbörjar underhållsarbetet.

1. När pumpen är nyinstallerad ska du kontrollera varje dag att den fungerar rätt.

2. Om du märker att prestationen försämras (dåligt flöde) ska silburen rengöras. Rengöringsintervallet varierar med kvaliteten på vattnet i dammen. Under sommarmånaderna kan det krävas rengöring varje vecka. Öppna klämmorna och ta ut pumpen för att rengöra silburen. Buren kan sedan torkas ren för att få bort skräp som blockerar silhålen. Skölj den i rent vatten. Kontrollera även att pumpens kammare och rotor inte blockeras av skräp.

3. Minst en gång om året ska pumpen tas isär helt och hållet, inklusive rotorn, enligt beskrivningen nedan. Tvätta alla komponenter i rent, friskt vatten. Ersätt slitna eller trasiga delar.

### Pumpens demontering och hopmontering (Fig. 13 (1000) och Fig. 14 (2500 och 4000))

a. Stäng av pumpen, ta bort silburen enligt beskrivningen ovan och ta bort pumpen.

b. Kontrollera att pumpen har svalnat innan den tas isär.

c. Frigör pumpkammaren (a) genom att vrida den tills de två fästtungorna går fria från klackarna på motorhuset.

d. Dra försiktigt bort pumpkammaren rakt från motorhuset (d).

e. Dra ut rotorn komplett (c) ur motorhuset (d).

**Viktigt!** Var särskilt försiktig för att inte tappa någon av smådelarna. Se fig. 15-a beträffande hopmontering av rotor 1000, Fig. 15-b för hopmontering av rotor 2500 och Fig. 15-c för hopmontering av rotor 4000.

f. Skölj ur alla komponenterna i rent vatten. Använd inte tvättmedel eller andra kemiska rengöringsmedel.

g. Sätt tillbaka rotorn i motorhuset, montera pumpkammaren och sätt tillbaka pumpen på silkorgen.

4. Om du bor i ett område med hårt vatten (vatten med hög halt av kalcium eller kalkavlagringar) ska pumpen, rotorn och motorns inre rengöras regelbundet. Vilket rengöringsintervall som krävs varierar enligt vattnets

hårdhet. Kontrollera därför regelbundet om det avsätts kalcium.

En liten nylonborste (t.ex. en tandborste) kan användas till att få bort avlagringar av kalcium eller kalk. Ta isär pumpen enligt beskrivningen ovan och ta bort rotorn. Tvätta bort kalkavlagringar från rotorn med friskt, rent vatten.

Om det blir för mycket avlagring kan det termiska överbelastningsskyddet aktiveras (se INLEDNING).

## Skötsel under Vintern

1. Ta upp pumpen ur dammen på hösten.
2. Rengör pumpen enligt beskrivningen ovan.
3. Under vintern rekommenderar vi att pumpen förvaras i en hink med vatten. Detta hindrar att lagren torkar ut och eventuellt kärvar. Detta är särskilt viktigt om pumpen har använts i ett hårdvattenområde. Vattenhinken med pumpen ska ställas på en frostskyddad plats.

## Felsökning

**Viktigt!** Spara detta avsnitt som referens.

### DÅLIGT FLÖDE FRÅN PUMPEN

1. Kontrollera att silburen är ren.
2. Ett smalt utloppsrör stryper utflödet.
3. Se till att det inte finns någon blockering i pumpkammaren.

### INGET FLÖDE FRÅN PUMPEN

1. Kontrollera att strömförsörjningen är på till pumpen.
2. Kontrollera säkring, RCD och ledningar.
3. Kontrollera att rotorn inte har fastnat, blockerats, skadats eller visar tecken på hårt slitage.
4. Kontrollera att silburen är ren.
5. Det termiska överbelastningsskyddet har utlöst (se INLEDNING).

## Hozelock Cyprio 3+2 Års Garanti

Om denna pump (med undantag av rotormontaget) blir obrukbar inom 3 år från inköpsdatum, repareras den eller byts ut gratis enligt vårt val, såvida den inte enligt vår åsikt har skadats eller missbrukats. För förlängning av denna 3-årsgaranti till 5 år, var vänlig registrera detta på <http://register.hozelock.com>.

Ingen skyldighet accepteras för skador på grund av olyckshändelse, felaktig installation eller användning. Skyldigheten begränsas till utbyte av en defekt pump. Denna garanti kan inte överlåtas. Den påverkar inte dina lagliga rättigheter För att erhålla garantiförmåner, kontakta i första hand

Hozelock Cyprio kundtjänst som kan be dig att skicka pumpen tillsammans med inköpsbevis direkt till nedanstående adress:

[www.hozelock.com](http://www.hozelock.com)

## RESERVDELAR

	Modellnummer		
	1000	2500	4000
<b>Reservdelar</b>			
1. Pumpkammare komplett plus tätning	Z10005	Z10006	Z10007
2. Rotor komplett	1680	1681	Z10000
3. Gängad utloppsadapter	1682	1682	1682
4. Kulled	Z10013	Z10013	Z10013
5. Stegad slanganslutningstapp och mutter	Z10012	Z10012	Z10012

## Prestanda \*

Aquaforce	1000	2500	4000	6000	8000	12000	15000
Säljbart reservdelsnummer	1580	1581	1582	1583	1584	1585	1586
Volt (V)	230V 50Hz	230V 50Hz	230V 50Hz	230V 50Hz	230V 50Hz	230V 50Hz	230V 50Hz
Effekt (W)	25	30	50	65	95	130	180
Max. flöde, QMax, (l/t)	1000	2500	4000	6000	8000	12000	15000
Max. tryckhöjd, HMax, (m)	1.5	2.1	2.5	3.5	4.0	5.0	5.7
IP-klass	IPX8	IPX8	IPX8	IPX8	IPX8	IPX8	IPX8
Max. nedsänkningsdjup (m)	2.5	2.5	2.5	2.0	2.0	2.0	2.0
Max. vattentemperatur TMax, (°C)	35°C	35°C	35°C	35°C	35°C	35°C	35°C
Amfibiefunktion	X	X	X	✓	✓	✓	✓

\*Mätt under kontrollerade förhållanden

## FIN

### ASENNUS- JA KÄYTTÖOHJEET. LUE OHJEET HUOLELLISESTI ENNEN LAITTEEN ASENTAMISTA. SÄILYTÄ NÄMÄ OHJEET MYÖHEMPÄÄ TARVETTA VARTEN.

- Eläimistöä suojaava järjestelmä
- Letkunjää ja mutteri
- Kuulanivel
- Ulostulosovitin
- Pumppu
- Suodin
- Pumpun pesä (vain Aquaforce 1000)

## Johdanto

Pumppu on sähkökäyttöinen, ja se on tarkoitettu halkaisijaltaan enintään 6 mm:n kiintojätteiden pumppaamiseen tarvitsematta nähdä paljon vaivaa suotimen huollossa. Tämmäntyyppiset pumput sopivat erityisen hyvin veden pumppaamiseen ulkoiisiin suotimiin tai käytettäväksi tehokkaasti virtaavissa vesiputouksissa tai vesiputouksissa, joissa huollon väliaikaisuus on tärkeää. Pumpussa ei käytetä öljyä eikä rasvaa voiteluun, joten sitä voidaan käyttää turvallisesti myös kaloja ja kasveja sisältävissä lammissa. Moottorin muodostavat suojattu staattori ja vesijäähdytteinen roottori. Kaikki sähköiset

komponentit on eristetty vedestä.

## HUOMIO

### AUTOMAATTIKATKAISU

Pumpun kestoajan pidentämiseksi ja vioittumisen estämiseksi siihen on asennettu automaattinen lämpökatkaisin. Katkaisin pysäyttää pumpun sen ylikuumentessa. Jos näin käy, katkaise pumpun virta päävirtalähteestä. Tarkista syy. Syynä on tavallisesti pumpun syöttöaukon tukkiva tai juoksupyörän toimintaa estävä lika. Poista esteet ja anna pumpun jäähtyä. Kytke sitten pumpun virta uudelleen.

**HUOMAA (AQUAFORCE 2500 JA 4000): PUMPPU NOLLAUTUU VASTA KUN PÄÄVIRTALÄHDE KATKAISTAAN.**

## Yleiset Turvallisuusohjeet

Seuraavien huomautusten noudattamatta jättäminen voi aiheuttaa vamman, tuotevaurion tai kalojen kuoleman.

- Tämä pumppu on tarkoitettu käytettäväksi vain lammissa. Käytä pumpua vain lammen suodinjärjestelmissä, suihkulähteissä, vesiputouksissa jne. Sitä ei saa käyttää mihinkään muuhun tarkoitukseen (esim. uima-altaissa, kylpyhuoneissa, keskuslämmitysjärjestelmissä jne.). Tuotteen käyttäminen muissa sovelluksissa saattaa aiheuttaa vamman tai tuotevaurion.
- Laitetta eivät saa käyttää henkilöt (ml. lapset), joiden henkinen tai ruumiillinen suorituskyky ei ole riittävä tai joilla ei ole riittävä kokemusta ja ymmärrystä asiasta, ellei heidän turvallisuudestaan vastuussa oleva henkilö ole valvomassa tai anna riittäviä ohjeita laitteen

käytöstä. Lapsia on valvottava ja estettävä leikkimästä laitteella.

**(Vain Australia ja Uusi-Seelanti)** Laitetta eivät saa käyttää lapset, sairaat tai vanhukset, ellei vastuuntuntoinen henkilö valvo heitä ja varmista, että he osaavat käyttää laitetta turvallisesti. Pieniä lapsia on valvottava ja estettävä leikkimästä laitteella.

3. **VAROITUS:** irrota kaikki lammessa olevat laitteet virtälähteestä ennen käsien työntämistä veteen välineitä asennettaessa, korjattaessa, huollettaessa tai käsiteltäessä.

4. Älä koskaan nosta pumppua sähköjohdosta, ettei se vioitu. Suosittelemme nostonarun kiinnittämistä imusuotimen päällä olevaan kahvaan, kun pumppu asennetaan syvälle veteen.

5. Älä käytä tai säilytä pumppua pakkasessa.

6. Suojaa pumppu suoralta auringonvaloilta. Suora auringonvalo saattaa aiheuttaa moottorin ylikuumenemisen.

7. Älä koskaan anna pumpun käydä kuivana.

8. Älä käytä pumppua, ellei suodin ole kunnolla paikallaan. Jos pumppua käytetään ilman suodinta, sen takuu saattaa mitätöityä.

9. **HUOMIO:** tuotetta ei saa käyttää vedessä, jonka lämpötila on yli 35 °C.

10. **HUOMIO:** älä käytä tuotetta, jos sähköjohdossa tai moottorissa on vaurioita. Sähköjohtoa ei voida vaihtaa, koska se on kiinnitetty pysyvästi moottorikoteloon, ja siksi se on hävitettävä paikallisten säädösten mukaisesti.

11. Jos asut kovan veden alueella (veden kalkki- tai kalkkikiviipitoisuus on korkea), pumppu, roottoriyksikkö ja moottorin sisätilat tulee puhdistaa säännöllisesti (ks. HUOLTO).

12. Käytä ainoastaan tätä tuotetta varten suunniteltuja lisälaitteita. Muiden lisälaitteiden käyttö saattaa mitätöidä takuun.

## Sähköliitännät

1. **VAROITUS:** irrota kaikki lammessa olevat laitteet virtälähteestä ennen käsien työntämistä veteen välineitä asennettaessa, korjattaessa, huollettaessa tai käsiteltäessä.

2. Tarkista, että yksikköön merkitty jännite vastaa verkon jännitettä.

3. Pumppu toimitetaan varustettuna 10 metrin 3-säikeisellä sähkökaapelilla, joka on kiinnitetty moottoriin pysyvästi ja suojattu.

Sähkökaapelia ei voida vaihtaa. Jos kaapeli vioittuu, pumppua ei saa enää käyttää.

Tuotteen mukana toimitettu pistoke ei ole vesitiivis, ja se on asetettava kuivana vesitiiviiseen koteloon.

4. 10 mA:n tai 30 mA:n vikavirtasuojakytkin täytyy liittää virtälähteeseen.

5. Asennus on tehtävä paikallisten sähkömääräysten mukaisesti, mikä saattaa merkitä kaapelin suojaamista muovii- tai metalliputkella.

6. **VAROITUS:** tämä laite on liitettävä maadoitettuun virtälähteeseen.

7. Pumpun kaapeli (ja jatko kaapeli) on asetettava paikkaan, jossa se on suojattu vioittumiselta, etenkin, jos se voi joutua kosketuksiin puutarhavälineiden (ruohonleikkureiden, hankojen jne.), lasten ja kotieläinten kanssa.

## Asentaminen

(Kuva 3)

## Pumpun Kokoaminen ja Asentaminen

### KOKOAMINEN

1. Avaa suotimen kummassakin päässä olevat pidikkeet ja avaa suodin.

2. Poista eläimistöä suojaava järjestelmä (kuva 1 – a).

3. Poista ja pura kuulanivel, letkunpää ja ulostulosovitin (kuva 1 – b, c ja d).

4. Poista sähköjohto ja avaa se kerältä.

5. Kierrä ulostulosovitin pumpun ulostuloon. Älä kiristä liikaa (kuva 4).

6. Sijoita pumppu asennusalueelle ja varmista, että ulostulosovitin on suotimen alaosassa olevassa aukossa (kuva 5).

**Huomaa:** 1000-malli: Pumppu asetetaan pesään, joka on kiinnitetty suotimen alaosaan (kuva 1 - g).

7. Aseta sähköjohto suotimen kyljessä olevaan aukkoon. Varmista, että se on oikeassa asennossa niin, ettei kaapeli jää puristuksiin, kun suodin suljetaan. (Kuva 6).

8. Sulje suotimen kansi ja kiinnitä se painamalla pidikkeiden keskeltä (kuva 7).

9. Tarkista, että kuulanivelen syöttö- ja ulostulosohokkeet ovat kohdakkain ja kierrä mutteri lujasti ulostulosovittimen ruuvin kierteeseen (kuva 8).

10. Pienellä halkaisijalla varustettujen letkujen käyttäminen rajoittaa veden virtausta liikaa. Mitä suurempi käyttämäsi letkun halkaisija on, sitä paremmin pumppu toimii, etenkin pitkiä letkuja käytettäessä. Tämän laitteen mukana toimitettuun letkunpähän sopii 25 mm:n (1"), 32 mm:n (1.25") ja 40 mm:n (1.6") letku sekä ¾" BSP-ruuviakierre suihkulähteen lisälaitteiden kiinnittämistä varten.

Suosittellemme aina, että tämänkokoisissa pumpeissa käytetään halkaisijaltaan 40 mm:n letkua, kun pumppua käytetään vesiputouksissa tai suotimen kanssa (kuvat 2 ja 3). Kun olet valinnut haluamasi letkunhalkaisijan, leikkaa letkunpäästä pois letkun halkaisijaa pienemmät portaat, ettei virtaus heikkene (kuva 9). Kiinnitä riittävän pitkä letku letkunpähän, kiristä sopivalla letkunkiristimellä ja aseta letkun ulostulopää haluttuun paikkaan.

11. Kierrä letkunpää suoraan kuulanivelen ulostulokohokkeeseen (kuva 10). Kuulaniveltä voidaan kiertää, ettei letku osoita pumppuun päin.

### Pumpun sijainti lammessa

12. Parhaat tulokset saadaan asettamalla pumppu lammen syvimpään kohtaan. Näin vesi pääsee kiertämään parhaiten lammessa, ja kun pumppua käytetään suodinpumppuna, sen kiintojätteiden käsittelykyky on parhaimmillaan.

Parhaat tulokset saadaan, jos pumppua ei aseteta suoraan lammen pohjaan. Suosittelemme pumpun asentamista tasaiselle alustalle, jonka pinta on noin 30 cm:n korkeudella lammen pohjasta. Tällöin pumppu ei pääse imemään likaa suoraan lammen pohjasta ja lampeen jää riittävästi vettä, jos sitä pääsee vahingossa vuotamaan (kuva 11).

Älä koskaan nosta pumppua sähköjohdosta, ettei se vioitu. Suosittelemme nostonarun kiinnittämistä imusuotimen päällä olevaan kahvaan, kun pumppu asennetaan syvälle veteen.

**Eläimistöä suojaava järjestelmä (WPS)**

13. Jos lammessa on kaloja tai muita eläimiä, ne kutevat tiettyinä vuodenaikoina. Tänä aikana kalanpoikaset ovat pieniä ja saattavat imeytyä pumppuun. Tämän ongelman vähentämiseksi Aquaforce-pumppussa on ainutlaatuinen eläimistöä suojaava järjestelmä (WPPS), joka pienentää syöttösiivilän reiän 2 mm:iin tänä kalojen elinkaaren kriittisenä aikana. Voit käyttää tätä toimintoa siirtämällä järjestelmän neljä jalkaa suotimen alaosan vastaavaan kohtaan kuvan 12 mukaisesti ja varmistamalla, että järjestelmä on oikein päin. Sulje suotimen yläosa ja kiinnitä pidikkeet. Kun järjestelmä ei ole käytössä, suotimesta joudutaan ehkä poistamaan tukkeita useammin. Kun kalat tai muut eläimet ovat kasvanee riittävästi, voit poistaa eläimistöä suojaavan järjestelmän pumpon suotimesta ja palauttaa suotimen koon 6 mm:iin.

## Huolto

Hozelock Cyprion Aquaforce-pumppujen huolto käy nopeasti ja helposti. Voit pidentää pumppusi käyttöikää ja pitää sen huippukunnossa noudattamalla seuraavia huolto-ohjeita.

**Huomio:** irrota KAIKKI lammessa olevat laitteet virtalähteestä ennen käsien työntämistä veteen tai huollon aloittamista.

1. Kun pumppu on vasta asennettu, sen oikea toiminta tulee tarkistaa päivittäin.
2. Jos huomaat tehon heikkenemistä (hidas virtaus), puhdistaa suodin. Puhdistustiheys vaihtelee lampiveden tilasta riippuen. Kesällä se voidaan joutua puhdistamaan joka viikko. Jotta voit puhdistaa suotimen, avaa pidikkeet ja poista pumppu. Suodin voidaan sitten pyyhkiä puhtaaksi reikiä tukkivista roskista ja pestä puhtaalla vedellä. Tarkista myös, etteivät pumppukammio ja roottori ole tukkeutuneet.
3. Pumppu, roottoriyksikkö mukaan lukien, tulee purkaa vähintään kerran vuodessa seuraavassa kuvatulla tavalla ja kaikki osat tulee pestä puhtaalla vedellä. Vaihda kuluneet tai rikkoutuneet osat.

### Pumpon purkaminen ja kokoaminen (Kuva 13 (1000) ja kuva 14 (2500 ja 4000))

- a. Kytke pumppu pois ja poista suodin edellä kuvatulla tavalla ja poista pumppu.
- b. Varmista, että pumppu on jäähtynyt ennen sen purkamista.
- c. Vapauta pumppukammio (a) kiinnittämällä sitä kunnes kaksi kiinnikettä irtoavat moottorirungon pidikkeistä.
- d. Vedä pumppukammio varovasti kohtisuorassa ulos moottorirungosta (d).
- e. Vedä roottoriyksikkö (c) ulos moottorirungosta (d).

**Tärkeää!** Varo erityisesti pudottamasta pieniä osia. Katso kuvasta 17-a tietoja 1000-roottorin kokoamisesta, kuvasta 17-b tietoja 2500-roottorin kokoamisesta ja kuvasta 17-c tietoja 4000 roottorin kokoamisesta.

- f. Pese kaikki komponentit puhtaalla vedellä. Älä käytä puhdistusaineita tai muita kemiallisia aineita.
- g. Asenna roottoriyksikkö takaisin moottorirunkoon, kiinnitä pumppukammio paikalleen ja palauta pumppu suotimeen.

4. Jos asut kovan veden alueella (veden kalkki- tai kalkkikivipitoisuus on korkea), pumppu, roottoriyksikkö ja moottorin sisätilat tulee puhdistaa säännöllisesti. Puhdistustiheyden tarve riippuu veden kovuudesta, joten on hyvä tarkistaa säännöllisesti, kerääntykö suotimeen kalkkia.

Kalkin tai kalkkikiven poistamiseen voidaan käyttää pientä

nailonharjaa (esim. hammasharjaa). Pura pumppu edellä kuvatulla tavalla ja poista roottori. Poista kalkkikivijäämät roottorista puhtaalla vedellä.

Jos kalkkia kertyy runsaasti, automaattinen lämpökatkaisin saattaa kytkeytyä päälle (katso JOHDANTO).

## Hoito Talvella

1. Pumppu tulee poistaa vedestä syksyllä.
2. Puhdista pumppu edellä kuvatulla tavalla.
3. Suosittelemme pumpon säilyttämistä vesiämpärisä talvella. Tämä estää laakereita kuivumasta ja mahdollisesti juuttumasta kiinni. Tämä on erityisen tärkeää, jos pumppua on käytetty kovan veden alueella. Pumpon sisältävää vesiämpäriä tulee säilyttää pakkaselta suojatuissa tiloissa.

## Vianetsintä

**Tärkeää** – säilytä tämä osa myöhempää tarvetta varten.

### HUONO VEDENTULO PUMPUSTA

1. Tarkista, että suodin on puhdas.
2. Pienellä halkaisijalla varustettu ulostuloletku rajoittaa ulostuloa.
3. Varmista, ettei pumppukammio ole tukossa.

### PUMPUSTA EI TULE VETTÄ

1. Tarkista, että virta on kytketty.
2. Tarkista sulake, vikavirtasuojakytkin ja sähkökaapelit.
3. Tarkista, ettei roottoriosaa ole juuttunut, tukkeutunut, viallinen eikä liian kulunut.
4. Tarkista, että suodin on puhdas.
5. Lämpökatkaisin on lauennut. (Katso JOHDANTO)

## Hozelock Cyprion 3+2 Vuoden Takuu

Jos pumppu, roottoriosaa mukaan lukien, lakkaa toimimasta 3 vuoden kulussa ostopäivästä, Hozelock korjaa tai vaihtaa sen uuteen maksutta harkintamme mukaisesti, elleimme katso, että sitä on voitettu tai käytetty väärin. Tämä 3 vuoden takuu voidaan pidentää 5 vuoteen rekisteröimällä se osoitteessa <http://register.hozelock.com>.

Takuu ei kata onnettomuuksien eikä väärän asennuksen tai käytön aiheuttamia vikoja. Takuu rajoittuu viallisen pumpon vaihtamiseen uuteen.

Takuuta ei voi siirtää toiselle. Se ei vaikuta laillisiin oikeuksiisi. Saat takuun edut ottamalla yhteyttä Hozelock Cyprion asiakaspalveluun, josta voidaan pyytää, että pumppu ja ostokuitti lähetetään seuraavaan osoitteeseen.

[www.hozelock.com](http://www.hozelock.com)

## VARAOSAT


	Mallinnumero		
	1000	2500	4000
<b>Varaosat</b>			
1. Pumppukammio ja tiiviste	Z10005	Z10006	Z10007
2. Roottoriosa	1680	1681	Z10000
3. Kierteinen ulostulosovitin	1682	1682	1682
4. Kuulanivel	Z10013	Z10013	Z10013
5. Porrastettu letkunpää ja mutteri	Z10012	Z10012	Z10012

## Suorituskyky\*

Aquaforce	1000	2500	4000	6000	8000	12000	15000
Myytävän osan numero	1580	1581	1582	1583	1584	1585	1586
Jännite (V)	230V 50Hz	230V 50Hz	230V 50Hz	230V 50Hz	230V 50Hz	230V 50Hz	230V 50Hz
Teho (W)	25	30	50	65	95	130	180
Enimmäisvuo, QMax, (l/h)	1000	2500	4000	6000	8000	12000	15000
Suurin nosto, HMax, (m)	1.5	2.1	2.5	3.5	4.0	5.0	5.7
IP-arvo	IPX8	IPX8	IPX8	IPX8	IPX8	IPX8	IPX8
Suurin upotussyvyys (m)	2.5	2.5	2.5	2.0	2.0	2.0	2.0
Korkein vesilämpötila TMax, (°C)	35°C	35°C	35°C	35°C	35°C	35°C	35°C
Käyttö maalla	✗	✗	✗	✓	✓	✓	✓

\*Mitattu ohjatuissa olosuhteissa

## N

 **INSTALLASJONS- OG DRIFTSINSTRUKSJONER. LES INSTRUKSJONENE NØYE FØR DU TAR FATT PÅ INSTALLASJON, OG TA VARE PÅ DEM TIL SENERE BRUK.**

a. System for dyrevern

b. Slangestuss og mutter

c. Kuleledd

d. Utløpsadapter

e. Pumpe

f. Filterbur

g. Pumpeholder (kun Aquaforce 1000)

Pumpen er elektrisk og er utformet for å pumpe partikler på opptil 6 mm i diameter med minimalt vedlikehold av forfilter. Disse pumpetyperne passer spesielt bra til å pumpe vann til eksterne filtre eller i vannfall med stor strømning eller vannløp der det er viktig med lite vedlikehold. Pumpen bruker ikke olje til smøring, og kan trygt brukes i dammer med fisk eller planter. Motoren består av en forseglet stator og en vannkjølt motor. Alle elektriske komponenter er isolert fra vannet.

## VIKTIG

### AUTOMATISK SPERRING

Pumpen har en automatisk termisk overlastbeskyttelse for å gi lang brukstid og forhindre skader. Pumpen slås av hvis den overopphetes. Hvis dette skjer, må du slå av strømmen til pumpen på hovednettforstyringen. Kontroller årsaken. Vanligvis er det rester som blokkerer inntaket i pumpen eller impelleren. Fjern hindringen og vent til pumpen har kjølt seg ned. Slå deretter på pumpen igjen.

**MERK (AQUAFORCE 2500 og 4000): DU MÅ SLÅ AV HOVEDNETTFORSYNINGEN FØR PUMPEN TILBAKESTILLES.**

## Generelle Sikkerhetsforskrifter

**Hvis du ikke følger instruksjonene nedenfor, kan det føre til personskader, produktskader eller tap av fisk.**

1. Pumpen er utviklet kun for bruk i dammer. Bare bruk denne pumpen i filtersystem for dammer, fontener, vannfall osv. Bruk ikke pumpen til noe annet (bruk for eksempel ikke pumpen i svømmebasseng, på badet, i sentralfyringsystemet osv.). Hvis du bruker produkter til noe annet, kan det føre til personskader eller produktskader.

2. Dette apparatet er ikke beregnet for bruk av personer (inkludert barn) med begrensete fysiske, sensoriske eller mentale evner, eller som mangler erfaring og kunnskap, med mindre de er under oppsyn eller har blitt gitt opplæring i bruk av apparatet av en person som er ansvarlig for deres sikkerhet. Pass på at barn ikke leker med maskinen.

**(Kun Australia og New Zealand)** Dette apparatet skal ikke brukes av små barn eller svake personer med mindre de har passende oppsyn fra en ansvarlig person som sikrer at de bruker apparatet på en sikker måte. Barn må ikke få leke med kjøleskapet.

3. **ADVARSEL:** Alltid koble fra alle apparater i dammen fra elektrisiteten før du tar hendene i vannet mens utstyret installeres, repareres, vedlikeholdes eller håndteres.

4. Bruk aldri hovedforsyningskabelen til å løfte pumpen ettersom dette kan forårsake skade. Vi anbefaler at du fester en løftesnor til håndtaket på filterburet når pumpen installeres i dypt vann.

5. Ikke bruk eller oppbevar pumpen i minustemperaturer.

6. Beskytt pumpen fra direkte sollys. Direkte sollys kan overopphete motoren.

7. La aldri pumpen kjøre seg tom.

8. Bruk ikke denne pumpen uten at filterburet er ordentlig festet. Hvis du bruker pumpen uten filterburet, kan garantien ugyldiggjøres.

9. **VIKTIG:** Dette produktet passer ikke i vanntemperaturer over 35 °C.

10. **VIKTIG:** Bruk ikke dette produktet hvis hovedforsyningskabelen eller motoren er skadet på noen som helst måte. Forsyningskabelen kan ikke erstattes ettersom den er permanent innkapslet i motorhuset og derfor må avhendes i henhold til lokale forskrifter.

11. Hvis du bor i et område med hardt vann (vann med mye kalk), bør pumpen, rotorenheten og innsiden av motoren rengjøres med jevne mellomrom (se **VEDLIKEHOLD**).

12. Bruk bare tilbehør som er utviklet for dette produktet. Hvis du bruker annet tilbehør, kan garantien ugyldiggjøres.

den er beskyttet mot skader, spesielt der det kan være kontakt med hageutstyr (plenklipper, gafler osv.), barn og husdyr.

## Installasjon

(Fig 3)

## Montering og Installasjon av Pumpen

### MONTERING

1. Åpne klipsene på begge ender av filterburet og åpne buret.
2. Fjern systemet for dyrevern (fig 1 – a).
3. Fjern og pakk ut kuleledd, slangestuss og utløpsadapter (fig 1 – b, c og d).
4. Fjern hovedforsyningskabelen og vikle ut.
5. Fest utløpsadapteren på utløpet på pumpen. Pass på at du ikke strammer for mye (fig 4).
6. Fest pumpen på monteringsområdet og pass på at utløpsadapteren hviler i fordypningen i den nedre delen av buret (fig. 5).

**Merk:** 1000-modell: Pumpen festes i holderen som er festet til det nedre buret (fig. 1 – g).

7. Plasser hovedforsyningskabelen i fordypningen på siden av buret. Pass på at den har rett posisjon slik at kablene ikke sitter fast når buret er lukket. (fig. 6).

8. Lukk burlokket og fest det ved å trykke inn midten av klipsen (fig. 7).

9. Kontroller at kuleleddets innløps- og utløpsnav er på linje og skru fast mutteren på skruegjengen på utløpsadapteren (fig. 8).

10. Bruk av slanger med liten diameter fører til omfattende restriksjoner av vannflyten. Jo større diameter slangen du bruker, har, jo bedre vil pumpens ytelse være, spesielt når slangen er lang. Slangestussen som følger med denne enheten, passer slanger på 25 mm, 32 mm og 40 mm samt 3/4 tommers BSP-skruegjenger for å feste fontenetilbehør. Vi anbefaler alltid å pumpe av denne størrelsen bør bruke slanger med en diameter på 40 mm når du bruker pumpen som en vannfallpumpe eller i kombinasjon med et filter (fig. 3). Når du har valgt ønsket slangediameter, kan du kutte av gjengene på slangestussen som er mindre enn slangediameteren for å eliminere restriksjoner (fig. 9). Koble en passende slangelengde til slangestussen og fest den med en passende slangeklips. Plasser utløpsenden til slangen i ønsket posisjon.

11. Skru slangestussen direkte på utløpsnavet på kuleleddet (fig. 10). Kuleleddet kan roteres slik at slangen kan styres vekk fra pumpen.

### Plassering av dampumpe

12. For å få best mulig resultat bør pumpen plasseres i den dypeste delen av dammen. Dette vil gi best sirkulasjon av vannet i dammen, og når pumpen brukes som en filtreringspumpe, maksimeres partikkelhåndteringsfunksjonen.

For å få best mulig resultat bør pumpen ikke plasseres direkte på bunnen av dammen. Vi anbefaler at pumpen installeres på en flat plattform som er hevet ca. 3000 mm over bunnen av dammen. Dette forhindrer at pumpen suger skitt direkte fra bunnen og sikrer også at det er nok vann i dammen hvis vannet i dammen ved et uhell skulle lekke (se fig. 11).

Bruk aldri hovedforsyningskabelen til å løfte pumpen

## Elektrisk Forbindelser

1. **ADVARSEL:** Alltid koble fra alle apparater i dammen fra elektrisiteten før du tar hendene i vannet mens utstyret installeres, repareres, vedlikeholdes eller håndteres.
2. Sjekk at spenningen som er merket på enheten, stemmer overens med hovednettforstyringen.
3. Pumpen har 10 m elektriske trelederkabler som er permanent tilkoblet og forseglet til motoren. Tilførselskabelen kan ikke skiftes ut. Hvis kabelen ødelegges, må pumpen kasseres. Pluggen som følger med dette produktet, er ikke vanntett og må oppbevares i en tørr og vanntett beholder.
4. En reststrømenhet på 10 mA eller 30 mA må monteres til hovednettforstyringen.
5. Installasjonen må overholde de nasjonale og lokale koblingsforskriftene som kan omfatte bruk av en plast- eller metalledder til å beskytte kabelen.
6. **ADVARSEL:** Apparatet må kobles til en jordet forsyning.
7. Pumpekabelen (og skjøteledningen) bør plasseres slik at

ettersom dette kan forårsake skade. Vi anbefaler at du fester en løftesor til håndtaket på filterburet når pumpen installeres i dypt vann.

### Systemet for dyreververn

13. Hvis du har fisk eller annet dyreliv i dammen, yngler de i visse perioder i året. På dette tidspunktet er fiskene små og kan suges inn i pumpen. Aquaforce-pumper har et unikt system for dyreververn som skal minimere denne faren ved å redusere innløpsfilterhullet til 2 mm på dette tidspunktet i fiskens livssyklus. Hvis du vil bruke denne funksjonen, plasserer du systemets fire bein i de tilhørende områdene i det nedre buret, som vist i figur 12. Pass på at systemet er plassert rett vei. Lukk toppen av buret og fest klipsene. Når dyrevernavsystemet brukes, kan det hende at du må fjerne blokkeringer i filterburet oftere. Når fisk eller annet dyreliv er store nok, kan du fjerne dyrevernavsystemet fra pumpens bur og stille filterstørrelsen tilbake til den maksimale størrelsen på 6 mm.

## Vedlikehold

Hozelock Cyprios Aquaforce-pumper er utviklet for å gi rask og enkel vedlikehold. Du kan forlenge pumpens levetid og holde den i topp stand ved å følge disse vedlikeholdsprosedyrene:

**Advarsel:** Alltid koble fra ALLE apparater i dammen fra elektrisiteten før du tar hendene i vannet eller begynner vedlikehold.

1. Når pumpen er nyinstallert, bør du sjekke pumpen hver dag for å kontrollere at den fungerer som den skal.
2. Hvis du legger merke til en reduksjon i prestasjonen (lite flyt), bør du rengjøre filterburet. Rengjøringsintervallene varierer med kvaliteten på vannet i dammen. Dette kan være så ofte som hver uke i sommermånedene. Hvis du vil rengjøre filterburet, åpner du klipsene og fjerner pumpen. Du kan deretter tørke vekk rester som blokkerer filterhullene og vaske med rent vann. Du bør også sjekke at pumpekammeret og rotoren ikke blokkeres av rester.
3. Minst én gang i året bør du demontere pumpen helt, inkludert rotoerenheten som beskrevet nedenfor, og vaske alle komponentene i rent, ferskt vann. Skift ut slitte eller ødelagte deler.

### Demontere og montere pumpen (Fig. 13 (1000) og fig. 14 (2500 og 4000))

- a. Slå av pumpen og fjern filterburet som beskrevet ovenfor, og fjern pumpen.
- b. Sørg for at pumpen er nedkjølt før du demonterer den.
- c. Utløs pumpekammeret (a) ved å rotere det til de to festefjærene ikke trekker motorkroppen.
- d. Dra forsiktig pumpekammeret rett ut fra motorkroppen (d).
- e. Dra rotoerenheten (c) ut av motorkroppen (d).

**Viktig!** Vær ekstra forsiktig så du ikke mister noen av de små komponentene i bakken. Se fig. 15-a for montering av 1000-rotoren, fig. 15-b for montering av 2500-rotoren og fig. 15-c for montering av 4000-rotoren.

- f. Vask alle komponentene i rent vann. Bruk ikke vaskemidler eller andre kjemiske rensedmidler.
- g. Sett rotoerenheten inn i motorkroppen igjen, sett pumpekammeret på plass og plasser pumpen i filterburet igjen.

4. Hvis du bor i et område med hardt vann (vann med mye kalk), bør pumpen, rotoerenheten og innsiden av motoren rengjøres med jevne mellomrom. Rengjøringsintervallet er avhengig av vannets hardhetsgrad, så du bør se etter tegn på kalk med jevne mellomrom.

Du kan rengjøre kalkbelegget med en liten nylonbørste (for eksempel en tannbørste). Demonter pumpen som beskrevet ovenfor, og fjern rotoren. Rengjøre kalkbelegget fra rotoren med fersk, rent vann.

Hvis det er mye kalkbelegg, kan den termiske overlastbeskyttelsen være aktivert (se INNLEDNING).

## Vinteromsorg

1. Pumpen bør fjernes fra dammen i løpet av høsten.
2. Rengjør pumpen som beskrevet ovenfor.
3. I løpet av vinteren anbefaler vi at du oppbevarer pumpen i en bøtte med vann. Det er for å forhindre at lageret tørker ut og eventuelt slutter å virke. Dette er spesielt viktig hvis du har brukt pumpen i et område med hard vannkvalitet. Vannbøtten med pumpen bør oppbevares på et frostbeskyttet sted.

## Feilsøking

**Viktig** - Oppbevar denne delen for referanse.

### LITE FLYT FRA PUMPEN

1. Pass på at filterburet er rent.
2. Et utløpsrør med liten diameter vil begrense utløpsflyten.
3. Pass på at det ikke er blokkering i pumpekammeret.

### IKKE FLYT FRA PUMPEN

1. Kontroller at strømmen er på.
2. Kontroller sikringen, reststrømenheten og koblingen.
3. Kontroller at rotoerenheten ikke sitter fast, er blokkert, skadet eller viser tegn på slitasje.
4. Pass på at filterburet er rent.
5. Den termiske overlastbeskyttelsen er utløst (se INNLEDNING).

## Hozelock Cyprio 3+2 -Årsgaranti

Hvis denne pumpen, unntatt rotoerenheten, blir ubrukelig innen tre år etter kjøpsdatoen, vil vi reparere eller bytte den vederlagsfritt, med mindre vi mener at den er blitt ødelagt eller misbrukt. Hvis du vil utvide denne 3-årsgarantien til 5 år, kan du registrere deg på <http://register.hozelock.com>.

Vi påtar oss intet ansvar for skader som oppstår på grunn av ulykker, feil installasjon eller bruk. Ansvar begrenses til utskifting av defekt pumpe-

Garantien kan ikke overføres. Den påvirker ikke andre lovbestemte rettigheter. Hvis du skal gjøre bruk av garantien, må du først ta kontakt med Hozelock Cyprios kundestøtte. Det kan hende at de ber deg sende inn pumpen som kjøpsbevis direkte til følgende adresse:

[www.hozelock.com](http://www.hozelock.com)

## RESERVEDELER

	Modellnummer		
	1000	2500	4000
<b>Reserve­de­ler</b>			
1. Pumpekammer og forse­gling	Z10005	Z10006	Z10007
2. Rotorenhet	1680	1681	Z10000
3. Gjenget utløpsadap­ter	1682	1682	1682
4. Kuleledd	Z10013	Z10013	Z10013
5. Gjenget slangestuss og mutter	Z10012	Z10012	Z10012

## Ytelse\*

Aquaforce	1000	2500	4000	6000	8000	12000	15000
Salgbart delenummer	1580	1581	1582	1583	1584	1585	1586
Spenning (V)	230V 50Hz	230V 50Hz	230V 50Hz	230V 50Hz	230V 50Hz	230V 50Hz	230V 50Hz
Effekt (W)	25	30	50	65	95	130	180
Maks. kapasitet, QMax, (l/t)	1000	2500	4000	6000	8000	12000	15000
Maks. løfte­høyde, HMax, (m)	1.5	2.1	2.5	3.5	4.0	5.0	5.7
IP-klassifisering	IPX8	IPX8	IPX8	IPX8	IPX8	IPX8	IPX8
Maks. undervannsdypde (m)	2.5	2.5	2.5	2.0	2.0	2.0	2.0
Maks. vann­temperatur TMax, (°C)	35°C	35°C	35°C	35°C	35°C	35°C	35°C
Amfibiebruk	✗	✗	✗	✓	✓	✓	✓

\*Målt under kontrollerte forhold

DK

### **INSTALLATIONS- OG DRIFTSVEJLEDNING. LÆS VEJLEDNINGEN GRUNDIGT IGENNEM FØR INSTALLATION FORSØGES. GEM DENNE VEJLEDNING TIL SENERE BRUG.**

- Beskyttelse af dyreliv-system
- Slangenippel & møtrik
- Kugleled
- Udløpsadap­ter
- Pumpe
- Filterbur
- Pumpestativ (Aquaforce 1000 kun)

overbelastningsbeskyttelse, der hjælper med til at sikre den en lang levetid, samt forhindre beskadigelse. Den slukker for pumpen, hvis denne overophedes. Hvis dette sker, skal der slukkes for strømmen ved strømforsyningen til pumpen. Tjek for årsagen hertil. Det vil normalt skyldes nedbrudt materiale, der blokerer pumpens indløb eller skaber forhindring ved skovlhjulet. Fjern forhindringen og vent på, at pumpen køler af igen. Tænd derefter for pumpen igen.

**BEMÆRK (AQUAFORCE 2500 & 4000): DU SKAL SLUKKE FOR STRØMMEN VED STRØMFORSYNINGEN, FØR PUMPEN VIL NULSTILLE.**

## Generelle Sikkerhedsretningslinier

Hvis ikke den følgende information følges, kan det medføre persons­kade, produkt­beskadigelse eller tab af fisk.

1. Denne pumpe er kun designet til brug med bassiner. Pumpen må kun bruges til drift af bassin­filtersystemer, vanddisplays, vandfald etc. Pumpen må ikke bruges til anden brug (dvs. den må ikke bruges i svømmebassiner, badeværelser, centralvarmesystemer etc). Hvis produktet bruges til andre applikationer, kan det medføre persons­kade eller produkt­beskadigelse.

2. Dette apparat er ikke beregnet til at blive brugt af personer (inklusive børn) med reducerede fysiske, sensoriske eller mentale evner, eller som ikke har erfaring med eller kendskab til det, med mindre de har modtaget supervision eller vejledning vedrørende brug af apparatet af en person, der er ansvarlig for deres

## Introduktion

Pumpen drives elektrisk og er designet til at pumpe faststoffpartikler op til 6mm i diameter med minimal før­filter­vedligeholdelse. Disse pumpetyper er særligt velegnede til at pumpe vand til eksterne filtre eller til brug i stærktstrømmende vandfald eller vandløbsapplikationer, hvor minimalt vedligehold er vigtigt. Pumpen bruger hverken olie eller smørefedt til smøring og er derfor sikker at bruge i bassiner med fisk og planter. Motoren består af en forse­glet stator og en vandafkølet rotor. Alle elektriske komponenter er isoleret fra vandet.

### OBS!

#### AUTOMATISK AFBRYDER

Pumpen er udstyret med automatisk termisk



sikkerhed. Børn skal overvåges for at sikre, at de ikke leger med apparatet.

**(Australien & New Zealand kun)** Dette apparat er ikke beregnet til at blive brugt af mindre børn eller svage personer, medmindre de er blevet tilstrækkeligt superviseret af en ansvarlig person for at sikre, at de kan bruge apparatet på sikker vis. Mindre børn skal overvåges for at sikre, at de ikke leger med apparatet.

3. **ADVARSEL:** Man skal altid koble alt udstyr i bassinet fra strømforsyningen, før man putter hænderne i vandet, mens udstyret installeres, repareres, vedligeholdes eller håndteres.

4. Strømkablet må aldrig bruges til at løfte pumpen, da dette kan forvolde skade. Vi anbefaler, at der monteres en løftesnor på håndtaget i bunden af sifilterburet, når pumpen installeres i dybt vand.

5. Pumpen må ikke drives eller efterlades i frostvej.

6. Beskyt pumpen mod direkte sollys. Direkte sollys kan overophede motoren.

7. Pumpen må aldrig køres tør.

8. Pumpen må kun drives, når sifilterburet er monteret korrekt. Hvis pumpen bruges uden sifilterburet, kan det ugyldiggøre garantien.

9. **OBS!** Dette produkt er ikke velegnet til vandtemperaturer over 35°C.

10. **OBS!** Dette produkt må ikke bruges, hvis strømkablet eller motoren er blevet beskadiget på nogen måde. Strømkablet kan ikke udskiftes, da det er permanent indkapslet i motorhuset og skal derfor bortskaffes i henhold til lokale forordninger.

11. Hvis du bor i et område med hårdt vand (vand med højt indhold af calcium/kalk), skal pumpe, rotorsamling og den indvendige del af motoren rengøres med jævne mellemrum (Se VEDLIGEHOLD).

12. Der må kun bruges tilbehør, der er blevet designet til brug med dette produkt. Brug af andet tilbehør kan ugyldiggøre garantien.

## Elektriske Forbindelser

1. **ADVARSEL:** Man skal altid koble alt udstyr i bassinet fra strømforsyningen, før man putter hænderne i vandet, mens udstyret installeres, repareres, vedligeholdes eller håndteres.

2. Tjek at spændingen, der er afmærket på enheden, svarer til netforsyningen.

3. Pumpen leveres med 10m trelederkabel, der er permanent tilsluttet og forseglet til motoren.

Strømkablet kan ikke udskiftes. Hvis kablet beskadiges, skal pumpen kasseres.

Ledningsstikket, som leveres med dette produkt, er ikke vandtæt og skal anbringes i en tør, vandtæt indkapsling.

4. En 10mA eller 30mA fejlstrømsafbryder (RCD) SKAL monteres til forsyningsnettet.

5. Installationen skal overholde de nationale og lokale forskrifter for ledningsføring, der kan omfatte brug af plast- eller metalrør til at beskytte kablet.

6. **ADVARSEL:** Dette apparat skal tilsluttes til en jordet strømforsyning.

7. Pumpekabel (og forlængerkabel) skal placeres og beskyttes således, at de ikke kan blive beskadiget, især ved kontakt med haveredskaber (græsslåmaskiner og gravegrebe) eller børn og husdyr.

## Installation

### INSTALLATION

(Fig 3)

## Pumpesamling & Installation

### SAMLING

1. Åbn clipsene i hver ende af sifilterburet og åbn buret.

2. Fjern 'Beskyttelse af dyreliv'-systemet (Fig 1 – a).

3. Tag kugleled, slangenippel og udløbsadapter ud & pak dem ud (Fig 1 – b, c & d).

5. Skru udløbsadapteren på pumpeudløbet. Den må ikke overspændes (Fig 4).

6. Placér pumpen på dens monteringsområde, idet det sikres, at udløbsadapteren hviler i fordybningen i den nederste del af buret (Fig 5).

**Bemærk:** 1000 model: Pumpen sidder i et stativ, der fastgøres til den nedre del af buret (Fig 1 - g).

7. Placér strømkablet i fordybningen i siden af buret. Sørg for, at det er placeret korrekt, så kablet ikke sidder i klemme, når buret bliver lukket. (Fig 6).

8. Luk burets låg og fastgør det ved at trykke i midten af clipsene (Fig 7).

9. Tjek at kugleledets indløbs- og udløbsstuds er på linie og skru møtrikken helt fast på udløbsadapterens skruegevind (Fig 8).

10. Hvis der bruges en slange med en for lille indvendig diameter, vil det medføre en stor begrænsning af vandgennemstrømningen. Jo større slangens indvendige diameter er, jo bedre vil pumpeydelsen være, især ved lange slangelængder. Den slangenippel, der leveres med enheden, passer til 25mm (1"), 32mm (1,25") og 40mm (1,6") slanger, såvel som til et 19,1mm (¾") BSP-skruegevind til tilslutning af springvandstilbehør. Vi vil altid anbefale, at en slange med en indvendig diameter på 40mm bruges til pumper af denne størrelse, hvis pumpen skal bruges som vandfaldspumpe eller i kombination med et filter (Fig 2 & 3). Når du har valgt den slangediameter, du ønsker at bruge, skal du afskære de slangenippeltrin, der er mindre end slangediameteren for at undgå strømningbegrænsning (Fig 9). Sæt en passende længde slange på slangestudsene, fastgør den med en passende slangeklemme og placér slangens udløbsende i den ønskede position.

11. Skru slangesniplen direkte ind i kugleledets udløbsstuds (Fig 10). Kugleledet kan drejes, så slangen kan vendes væk fra pumpen.

### Bassinpumpeplacering

12. For de bedste resultater skal pumpen placeres i den dybeste del af bassinet. Det vil sikre den bedste vandcirkulation i bassinet og hvis den bruges som filtreringspumpe, vil det maksimere dens tørstofhåndteringskapacitet.

For de bedste resultater skal pumpen ikke placeres direkte på bunden af bassinet. Vi anbefaler, at pumpen installeres på en flad platform, der er i niveau, og som er forhøjet ca. 300mm oven over bassinbunden. Det vil forhindre, at pumpen suger snavs direkte fra bunden af bassinet og vil også sikre, at der er tilstrækkeligt vand tilbage i bassinet, hvis bassinvandet ved et uheld skulle undslippe (Se fig 11).

Strømkablet må aldrig bruges til at løfte pumpen, da dette kan forvolde skade. Vi anbefaler, at der monteres en løftesnor på håndtaget i bunden af sifilterburet, når

pumpen installeres i dybt vand.

### Beskyttelse af dyreliv-systemet (WPS)

13. Hvis der er fisk eller andet dyreliv i dit bassin, er der perioder i løbet af året, hvor de kan yngle. På dette tidspunkt er fiskeynglen meget lille og kan suges ind i pumpen. For at minimere muligheden herfor, er Aquaforce-pumpeserien udstyret med et unikt 'Beskyttelse af dyreliv-system (Wildlife Protection System (WPS)), der reducerer indløbsfilteret hulstørrelse til 2mm på dette kritiske tidspunkt i fiskenes livscyklus. For at bruge denne funktion skal WPS'ets 4 ben placeres i det tilsvarende område i den nedre del af buret, som vist på Fig 12, idet det sikres, at WPS vender den rigtige vej. Luk toppen af buret og fastgør den med clipsene. Mens WPS er i brug, kan det være nødvendigt at rense sifilterburet noget oftere. Når fiskene eller dyrelivet er vokset til en tilstrækkelig stor størrelse, kan du fjerne WPS fra dit pumpebur og returnere sifilterstørrelse til dens maksimale 6mm størrelse.

## Vedligehold

Hozelock Aquaforce-pumpeserien er blevet designet til hurtigt og nemt vedligehold. For at forlænge pumpens levetid og holde den i optimal tilstand, skal denne vedligeholdelsesvejledning følges.

**Forsigtig:** Man skal altid koble ALT udstyr i bassinet fra strømforsyningen, for man putter hænderne i vandet eller starter på vedligeholdelse.

1. Når pumpen er nyinstalleret, skal den tjekkes dagligt for at sikre, at den fungerer korrekt.
2. Hvis du bemærker en ydelsesreduktion (lav gennemstrømning), skal du rengøre sifilterburet. Rengøringsintervaller vil variere alt afhængig af bassinvandets tilstand. Det kan være så ofte som en gang om ugen i sommermånederne. For at rengøre sifilterburet skal clipsene åbnes, hvorefter pumpen fjernes. Buret kan så tørres rent for nedbrudt materiale, der tilstopper sifilterets huller og vaskes i rent vand bagefter. Du skal også tjekke, at pumpekammeret & rotoren ikke er tilstoppet med nedbrudt materiale.
3. Mindst en gang om året skal pumpen skilles helt ad, inklusiv rotorsamlingen, som beskrevet nedenfor, hvorefter alle komponenter vaskes i rent frisk vand. Udskift slidte og ødelagte dele.

### Demontering & samling af pumpe (Fig. 13 (1000) & Fig 14 (2500 & 4000))

- a. Sluk for pumpen, fjern sifilterburet, som beskrevet ovenfor og fjern pumpen.
- b. Sørg for, at pumpen er afkølet, før den demonteres.
- c. Frigør pumpekammeret (a) ved at dreje det, indtil de to holdetunger er fri af taperne på motorhuset.
- d. Træk forsigtig pumpekammeret lige væk fra motorhuset (d).
- e. Træk rotorsamlingen (c) ud af motorhuset (d).

**Vigtigt!** Vær ekstra forsigtig med ikke at tabe nogen af de små komponenter. Se Fig 15-a for samling af 1000 rotor, Fig 15-b for samling af 2500 rotor og Fig 15-c for samling af 4000 rotor.

- f. Vask alle komponenter ud i rent vand. Der må hverken bruges vaskemidler eller andre kemiske rengøringsmidler.
- g. Sæt rotorsamlingen tilbage i motorhuset, genmonter pumpekammeret og sæt pumpen tilbage i sifilterburet.
4. Hvis du bor i et område med hårdt vand (vand med et højt indhold af calcium/kalk), skal pumpe, rotorsamling og den indvendige del af motoren rengøres med jævne

mellemrum. Det nødvendige rengøringsinterval afhænger af vandets hårdhed, så der skal tjekkes for tegn på kalkaflejring med jævne mellemrum.

Calcium-/kalkaflejring kan fjernes med en lille nylonbørste (som fx en tandbørste). Demonter pumpen som beskrevet ovenfor og fjern rotoren. Fjern kalkaflejring fra rotoren med rent frisk vand.

Hvis der er kraftige kalkaflejring, kan den termiske overbelastningsbeskyttelse blive aktiveret (Se INTRODUKTION).

## Vinterpleje

1. Pumpen skal fjernes fra bassinet i løbet af efteråret.
2. Rengør pumpen som beskrevet ovenfor.
3. Vi anbefaler, at pumpen opbevares i en spand vand om vinteren. Det er for at forhindre, at lejerne udtørres og potentielt sætter sig fast. Det er især vigtigt, hvis pumpen er blevet brugt i et område med hårdt vand. Spanden med vand, hvori pumpen er, skal opbevares på et sted, der er beskyttet mod frost.

## Fejlfinding/Problemløsning

**Vigtigt** – Gem denne sektion til senere brug.

### LAV PUMPEGENNEMSTRØMNING

1. Sørg for, at sifilterburet er rent.
2. Et udløbsrør med en lille indvendig diameter vil begrænse udløbsstrømningen.
3. Sørg for at der ikke er nogen tilstopning inden i pumpekammeret.

### INGEN PUMPEGENNEMSTRØMNING

1. Tjek at der er tændt for strømforsyningen.
2. Tjek sikring, fejlstrømsafbryder (RCD) og ledningsføring.
3. Tjek at rotorsamlingen ikke sidder fast, er blokeret, beskadiget eller viser tegn på kraftig slidage.
4. Sørg for, at sifilterburet er rent.
5. Den termiske overbelastningsbeskyttelse er blevet udløst. (se INTRODUKTION).

## Hozelock Cyprio 3+2 -Års Garanti

Hvis denne pumpe, eksklusiv rotorsamling, bliver ubrugelig indenfor 3 år efter indkøbsdatoen, vil vi alt efter vor vurdering reparere eller udskifte den gratis, medmindre den efter vor mening er blevet beskadiget eller misbrugt. For at forlænge denne 3 års garanti til 5 år bedes du registrere den på <http://register.hozelock.com>. Vi påtager os intet ansvar for skader, der skyldes uheld, ukorrekt installation eller brug. Vort ansvar er begrænset til udskiftning af en defekt pumpe.

Denne garanti kan ikke overføres. Den påvirker ikke dine lovmæssige rettigheder. For at gøre brug af garantien skal du først kontakte Hozelock Cyprio Consumer Services (forbrugerservice), som kan bede om at få pumpen tilsendt, sammen med indkøbsbevis, til nedenstående adresse.

[www.hozelock.com](http://www.hozelock.com)

## RESERVEDELE


	Modelnummer		
	1000	2500	4000
Reservevedele			
1. Pumpekammersamling og tætning	Z10005	Z10006	Z10007
2. Rotorsamling	1680	1681	Z10000
3. Gevindskåret udløbsadapter	1682	1682	1682
4. Kugleled	Z10013	Z10013	Z10013
5. Trininddelt slangenippel & møtrik	Z10012	Z10012	Z10012

## Ydeevne \*

Aquaforce	1000	2500	4000	6000	8000	12000	15000
Varenummer	1580	1581	1582	1583	1584	1585	1586
Volt (V)	230V 50Hz	230V 50Hz	230V 50Hz	230V 50Hz	230V 50Hz	230V 50Hz	230V 50Hz
Effekt (W)	25	30	50	65	95	130	180
Maks. gennemstrømning, QMax, (l/time)	1000	2500	4000	6000	8000	12000	15000
Maks. pumpehøjde, HMax, (m)	1.5	2.1	2.5	3.5	4.0	5.0	5.7
IP-klassificering	IPX8	IPX8	IPX8	IPX8	IPX8	IPX8	IPX8
Maks. nedsænkingsdybde (m)	2.5	2.5	2.5	2.0	2.0	2.0	2.0
Maks. vandtemperatur TMax, (°C)	35°C	35°C	35°C	35°C	35°C	35°C	35°C
Amfibisk brug	✗	✗	✗	✓	✓	✓	✓

\*Målt under kontrollerede forhold

P

 **INSTRUÇÕES PARA INSTALAÇÃO E FUNCIONAMENTO DO EQUIPAMENTO. LEIA ATENTAMENTE ESTAS INSTRUÇÕES ANTES DE TENTAR EFECTUAR A INSTALAÇÃO. GUARDE ESTAS INSTRUÇÕES PARA REFERÊNCIA FUTURA.**

- Sistema de protecção da fauna selvagem
- Peça de encaixe na mangueira e porca
- Rótula de engate
- Adaptador de descarga
- Bomba
- Caixa do filtro
- Berço de apoio da bomba (apenas na Aquaforce 1000)

## Introdução

A bomba funciona com energia eléctrica, tendo sido concebida para bombear partículas sólidas com um diâmetro máximo de 6 mm, com um mínimo de

manutenção do pré-coador. Estes tipos de bombas são especialmente adequadas para bombear água para filtros externos ou para empregar em cascatas com uma corrente forte ou em cursos de água onde seja importante ter um mínimo de manutenção. A bomba não necessita de óleo nem de massa lubrificante para se manter lubrificada, podendo ser utilizada com segurança nos lagos com peixes ou plantas. O motor consta de um estator vedado e um rotor arrefecido a água. Todos os componentes eléctricos se encontram isolados da água.

## ATENÇÃO

### CORTE AUTOMÁTICO

Para ajudar a assegurar que a sua bomba dure muito tempo e para não sofrer danos, a bomba inclui um elemento de protecção automática contra a sobrecarga térmica. O elemento desliga a bomba em caso de sobreaquecimento. Em tais casos, deve-se desligar a alimentação eléctrica e determinar qual a causa do sobreaquecimento. Geralmente o problema é causado por detritos que entopem os orifícios de admissão da bomba ou obstruem o impulsor. Remova a obstrução e aguarde algum tempo até a bomba arrefecer. Depois disso, ligue novamente a bomba.

**OBSERVAÇÃO (AQUAFORCE 2500 e 4000): É NECESSÁRIO DESLIGAR A ALIMENTAÇÃO ELÉCTRICA ANTES DA BOMBA SE REINICIALIZAR.**

# Diretrizes Gerais de Segurança

**A falta de cumprimento das instruções que se seguem pode provocar ferimentos, danificar o aparelho ou causar perda de peixes.**

1. Esta bomba foi concebida para ser utilizada apenas com lagos de jardim. Utilize esta bomba apenas para funcionamento de sistemas de filtração de lagos, atracções aquáticas, cascatas, etc. Não use a bomba para qualquer outro fim (ou seja, não utilize a bomba em piscinas, casas de banho, sistemas de aquecimento central, etc.) A utilização do produto para qualquer outro fim pode resultar em ferimentos ou danificar o aparelho.

2. Este aparelho não se destina a ser utilizado por pessoas (incluindo crianças) com uma capacidade física, sensorial ou mental reduzida, ou com falta de experiência e conhecimentos, a não ser que esteja sob a supervisão ou tenha recebido, de uma pessoa responsável pela sua segurança, instruções relativas à utilização do aparelho. As crianças devem ser sempre vigiadas e nunca se deve permitir que brinquem com o aparelho.

(Apenas na Austrália e NZ) Este aparelho não se destina a ser utilizado por crianças jovens ou pessoas enfermas a não ser que estejam a ser devidamente vigiadas por uma pessoa responsável, para assegurar a utilização segura do aparelho. As crianças jovens devem ser sempre vigiadas e nunca se deve permitir que brinquem com o aparelho.

3. **ADVERTÊNCIA:** Desligar ou desacoplar todos os aparelhos do lago da respectiva fonte de alimentação antes de colocar as mãos dentro de água durante a instalação, conserto, manutenção ou manuseamento do equipamento.

4. Não usar nunca o cabo de alimentação para elevar a bomba, pois que o cabo poderá sofrer danos. Recomendamos o encaixe de um cabo de elevação à pega da caixa do coador caso a bomba deva ser instalada em águas fundas.

5. Não utilize a bomba nem a deixe ficar exposta a condições de congelamento.

6. Proteja a bomba contra a luz solar directa. Esta pode sobreaquecer o motor.

7. Nunca permita que a bomba funcione em seco.

8. Não ponha a funcionar a bomba caso a caixa do coador não esteja devidamente acoplada. A utilização da bomba sem a caixa do coador poderá invalidar a sua garantia.

9. **ATENÇÃO:** Este produto não é próprio para utilizar em águas a temperaturas de mais de 35° C.

10. **ATENÇÃO:** Não fazer funcionar este produto caso o cabo de ligação à fonte de alimentação ou o motor tenha sofrido qualquer tipo de danificação. O cabo de alimentação não pode ser substituído pois está permanentemente encaixado na caixa do motor e deve portanto ser descartado em conformidade com os regulamentos locais.

11. Caso o cliente viva numa região de água dura (água com um teor elevado de cálcio ou depósitos de cal), a bomba, o conjunto do rotor e o interior do motor devem ser limpos a intervalos regulares (ver MANUTENÇÃO).

12. Utilizar apenas acessórios que tenham sido designados para serem utilizados com este produto. A utilização de quaisquer outros acessórios pode invalidar a sua garantia.

# Ligações Eléctricas

1. **ADVERTÊNCIA:** Desligar ou desacoplar sempre todos os aparelhos do lago da respectiva fonte de alimentação antes de colocar as mãos dentro de água durante a instalação, conserto, manutenção ou manuseamento do equipamento.
2. Verificar se a voltagem marcada na unidade corresponde à da fonte de alimentação.
3. A bomba é fornecida com 10 m de cabo eléctrico com 3 núcleos, que se encontra permanentemente ligado ao motor e vedado dentro dele.  
O cabo de alimentação não pode ser substituído. Se o cabo sofrer danos, a bomba deve ser descartada.  
A ficha fornecida com este produto não é impermeável e deve ser encerrada numa caixa seca e impermeável.
4. Um Interruptor da Corrente Residual (RCD, Residual Current Device) de 10mA ou 30mA deve ser ligado à fonte de alimentação.
5. A instalação deve aderir aos regulamentos locais e nacionais para as ligações eléctricas que possam incluir a utilização de condutores de plástico ou metal para proteger o cabo.
6. **ADVERTÊNCIA:** Este aparelho deve ser ligado a uma fonte de alimentação ligada à terra .
7. O cabo da bomba (e o cabo de extensão) devem ser posicionados e protegidos adequadamente contra quaisquer danos, em especial nos casos em que possa ocorrer o contacto com equipamento de jardinagem (cortadores de relva, forquilhas etc.), com crianças e com animais domésticos.

# Instalação

(Fig. 3)

# Montagem e Instalação da Bomba

## MONTAGEM

1. Abrir os cliques que se encontram em cada uma das extremidades da caixa do coador e abrir a caixa.
  2. Remover o sistema de protecção da fauna selvagem (Fig. 1 – a).
  3. Remover e desembalar a rótula de engate, a peça de encaixe na mangueira e o adaptador de descarga (Fig.1 – b, c e d).
  4. Remover o cabo de ligação à fonte de alimentação e desenrolar.
  5. Enroscar o adaptador de descarga ao local de descarga da bomba. Não apertar demasiado (Fig. 4).
  6. Posicionar a bomba sobre a área onde deve ficar montada verificando se o adaptador de descarga fica sobre o nicho da parte inferior da caixa (Fig. 5).
- Observação:** modelo 1000: A bomba fica localizada dentro de um berço que se encontra afixado à caixa inferior (Fig.1 - 9).
7. Posicionar o cabo de alimentação eléctrica dentro do nicho que se encontra na parte lateral da caixa. Certificar-se de que fica assente na posição correcta, de forma a que, ao fechar a caixa, o cabo não fique preso. (Fig. 6).
  8. Fechar a tampa da caixa e prender, carregando, para tal, na parte central de cada clipe (Fig. 7).
  9. Verificando se a parte da admissão da rótula de engate e os moentes da saída estão alinhadas, enroscar firmemente

a porca na rosca de parafuso do adaptador de descarga (Fig.8).

10. A utilização de mangueiras de diâmetros pequenos resulta numa restrição excessiva da corrente de água. Quanto maior for o diâmetro da mangueira que utilizar, melhor será o desempenho da bomba, especialmente nos casos em que haja grandes comprimentos de mangueira. A peça de encaixe na mangueira fornecida com esta unidade aceita mangueiras de 25 mm (1"), 32 mm (1,25") e 40 mm (1,6") bem como uma rosca de parafuso de 3/4" BSP para enroscar acessórios para fonte. Recomendamos sempre que, em bombas deste tamanho, se devem utilizar mangueiras de 40 mm de diâmetro sempre que a bomba em questão seja utilizada como bomba para cascata ou em conjugação com um filtro (Fig. 3). Uma vez que tenha seleccionado o diâmetro da mangueira que deseja utilizar, o utilizador deve cortar reentrâncias na peça de encaixe na mangueira, as quais devem ser de tamanho menor que o diâmetro da mangueira, a fim de eliminar qualquer restrição (Fig.9). Ligar um comprimento apropriado de mangueira à peça de encaixe na mangueira e prender com um clipe de mangueira apropriado, posicionando a extremidade de descarga da mangueira na posição desejada.

11. Enroscar a peça de encaixe na mangueira directamente ao moente de descarga da rótula de engate (Fig.10). Pode-se rodar a rótula de engate, para permitir o encaminhamento da mangueira para longe da bomba.

#### Posição da Bomba para Lago

12. Para obter os melhores resultados, a bomba deve ser posicionada na parte mais profunda do lago. Isto assegura a melhor circulação da água no lago e, quando a bomba está a ser utilizada como bomba de filtração, esta posição assegura a maximização da capacidade da bomba para processar sólidos.

Para obter melhores resultados, não convém colocar a bomba directamente no fundo do lago. Recomendamos que a bomba seja instalada sobre uma plataforma horizontal que fique cerca de 300 mm acima do fundo do lago. Isto evita que a bomba sugue solo directamente do fundo do lago, assegurando ainda que, se ocorrer um derrame accidental da água do lago, uma quantidade de água suficiente permanecerá no fundo do lago. (Ver a Fig. 11).

Não usar nunca o cabo de alimentação para elevar a bomba, pois que o cabo poderá sofrer danos. Recomendamos o encaixe de um cabo de elevação à pega da caixa do coador caso a bomba deva ser instalada em águas fundas.

#### Posicionamento do WPS

13. Se o lago tiver peixes ou outros tipos de fauna selvagem, há certos períodos do ano nos quais os animais se reproduzem. Nessas alturas os peixes são pequenos e podem ser sugados para dentro da bomba. Para minimizar essa possibilidade, a gama de bombas Aquaforce tem um sistema especial de protecção da fauna selvagem, o sistema WPS, que reduz as dimensões do orifício de admissão do coador para 2 mm durante esta fase crítica do ciclo de vida dos peixes. Para usar este sistema, o utilizador deve posicionar as 4 pernas do WPS na zona correspondente da caixa inferior, conforme ilustrado na Fig. 12, assegurando que o WPS fique virado para o lado correcto. Fechar a tampa da caixa e prender os cliques. Durante o período em que o WPS esteja a ser utilizado, poderá ser necessário desentupir mais vezes a caixa do coador. Uma vez que os peixes ou outros animais selvagens tenham alcançado um tamanho suficientemente grande, pode-se retirar o WPS da caixa da bomba, e o coador volta a ter o tamanho máximo de 6 mm.

## Manutenção

A gama de bombas Aquaforce da Hozelock Cypro foi concebida para permitir uma manutenção fácil e rápida. Para prolongar a duração da bomba e manter a mesma nos melhores condições possíveis, o utilizador deve aderir às seguintes directrizes de manutenção.

**Aviso:** Desligar ou desacoplar sempre TODOS os aparelhos do lago da respectiva fonte de alimentação antes de colocar as mãos dentro de água ou de iniciar a manutenção.

1. Se a bomba tiver sido instalada há pouco tempo, deve ser inspecionada diariamente para assegurar um desempenho correcto.
2. Se o utilizador verificar uma redução do desempenho (pouca corrente) deve limpar a caixa do coador. Os intervalos entre as limpezas variam e dependem das condições da água do lago. Por exemplo, no verão poderá ser necessário limpar a bomba uma vez por semana. Para limpar a caixa do coador, abrir os cliques e remover a bomba. Pode-se então limpar a caixa e retirar os detritos que estejam a entupir os orifícios do coador, lavando o mesmo em água limpa. Deve-se verificar também se a câmara da bomba e o rotor estão bloqueados com detritos.
3. Pelo menos uma vez por ano deve-se desmontar completamente a bomba, incluindo o conjunto do rotor, tal como descrito a seguir, e lavar todos os componentes em água limpa e fresca. Substituir as peças gastas ou partidas.

#### Desmontagem e montagem da bomba

(Fig. 13 (1000) e Fig. 14 (2500 e 4000))

- a. Desligar a bomba e remover a caixa do coador, tal como descrito acima, removendo a seguir a bomba.
- b. Deixar arrefecer a bomba antes de a desmontar.
- c. Soltar a câmara da bomba (a) rodando-a até que as duas línguas de retenção fiquem livres dos engates da parte principal do motor.
- d. Puxar cuidadosamente pela câmara da bomba até que a mesma saia da parte principal do motor (d).
- e. Puxar pelo conjunto do rotor (c) até sair da parte principal do motor (d).

Importante! Ter muito cuidado para não deixar cair nenhuma das peças mais pequenas. Ver a Fig. 15-a, que ilustra a montagem do rotor 1000, a Fig. 15-b, que ilustra a montagem do rotor 2500, e a Fig. 15-c, que ilustra a montagem do rotor 4000.

- f. Lavar todas as peças em água limpa. Não usar detergentes ou outros produtos de limpeza químicos.
- g. Voltar a inserir o conjunto do rotor na parte principal do motor, encaixar de novo a câmara da bomba e voltar a colocar a bomba na caixa do coador.
4. Caso o cliente viva numa região de água dura (água com um teor elevado de cálcio ou depósitos de cal), a bomba, o conjunto do rotor e o interior do motor devem ser limpos a intervalos regulares. O intervalo necessário entre os períodos de limpeza varia e depende da dureza da água, portanto o cliente deve inspecionar frequentemente a bomba, à procura de depósitos de cálcio.

Para limpar os depósitos de cálcio ou cal, pode utilizar-se uma pequena escova de cerda de nylon (como, por exemplo, uma escova de dentes). Desmontar a bomba, conforme descrito acima, e remover o rotor. Remover com a escova os depósitos de cal que se encontrem no rotor e lavar com água fresca e pura.

Os grandes depósitos de cálcio podem desencadear o disparo do sistema de protecção contra sobrecargas térmicas (ver INTRODUÇÃO).

# Cuidados Durante o Inverno

1. No Outono, deve-se tirar a bomba do lago.
2. Limpar a bomba tal como indicado acima.
3. Durante o Inverno, recomendamos que a bomba seja armazenada dentro de um balde de água. Isto evita que os rolamentos sequem, o que pode fazer com que eles fiquem presos. Isto é especialmente importante se o cliente estiver a utilizar a bomba numa região de água dura. O balde de água com a bomba dentro deve ser armazenado num local protegido contra a geada.

## Resolução de Problemas/ Localização de Defeitos

**Importante** – Guardar esta secção para futura referência.

### A CORRENTE DA BOMBA É BAIXA

1. Verificar se a caixa do coador está limpa.
2. Os canos de saída de diâmetros pequenos restringem a corrente de água.
3. Verificar se a câmara da bomba está entupida com detritos.

### A BOMBA NÃO TEM CORRENTE DE ÁGUA

1. Verificar se a bomba está ligada à fonte de alimentação.
2. Verificar se o fusível, o RCD e a cablagem não têm defeitos.

3. Verificar se o conjunto do rotor está engatado, bloqueado ou danificado, ou se está a mostrar sinais de uso excessivo.
4. Verificar se a caixa do coador está limpa.
5. O dispositivo de protecção contra a sobrecarga térmica disparou. (ver INTRODUÇÃO).

## Garantia de 3+2 Anos da Hozelock Cyprio

Se esta bomba, excluindo o conjunto do rotor, se tornar inútil no prazo de 3 anos a contar da data em que foi comprada, a bomba será consertada ou substituída, por opção nossa, gratuitamente, a não ser que, na nossa opinião, tenha sido danificada ou mal utilizada. Para aumentar esta garantia de 3 anos para 5 anos, o cliente deve registar-se em <http://register.hozelock.com>.

Não aceitamos responsabilidade por danos causados por acidentes ou por uma instalação ou utilização incorrecta. A nossa responsabilidade limita-se à substituição de uma bomba avariada.

Esta garantia não é transferível. Não afecta os seus direitos estatutários. Para obter as vantagens desta garantia, comece por contactar os Serviços ao Consumidor da Hozelock Cyprio, que poderão pedir-lhe para enviar directamente a bomba, juntamente com o elemento comprovativo da sua compra, para o endereço abaixo:

[www.hozelock.com](http://www.hozelock.com)

## PEÇAS SOBRESSELENTES

	Número do Modelo		
	1000	2500	4000
<b>Peças sobresselentes</b>			
1. Montagem da câmara da bomba e vedação	Z10005	Z10006	Z10007
2. O conjunto do rotor	1680	1681	Z10000
3. Adaptador de descarga roscado	1682	1682	1682
4. Rótula de engate	Z10013	Z10013	Z10013
5. Peça de encaixe na mangueira com reentrâncias e Porca	Z10012	Z10012	Z10012

## Desempenho\*

Aquaforce	1000	2500	4000	6000	8000	12000	15000
Número da peça à venda	1580	1581	1582	1583	1584	1585	1586
Volts (V)	230V 50Hz	230V 50Hz	230V 50Hz	230V 50Hz	230V 50Hz	230V 50Hz	230V 50Hz
Alimentação (W)	25	30	50	65	95	130	180
Corr Máx, QMax, (l/hr)	1000	2500	4000	6000	8000	12000	15000
Carga Máx, HMax, (m)	1.5	2.1	2.5	3.5	4.0	5.0	5.7
Qualificação IP	IPX8	IPX8	IPX8	IPX8	IPX8	IPX8	IPX8
Profundidade máx. submersão (m)	2.5	2.5	2.5	2.0	2.0	2.0	2.0
Temperatura máx. água TMax, (°C)	35°C	35°C	35°C	35°C	35°C	35°C	35°C
Uso anfíbio	X	X	X	✓	✓	✓	✓

\* Medido em condições controladas



## INSTRUKCJA INSTALACJI I OBSŁUGI. PRZED PRZYSTĄPIENIEM DO INSTALOWANIA NALEŻY UWAGAŃ PRZECZYTAĆ NINIEJSZĄ

### INSTRUKCJĘ.

### INSTRUKCJĘ NALEŻY ZACHOWAĆ NA PRZYSZŁY UŻYTEK.

- System ochrony przed organizmami wodnymi
- Końcówka do węża i nakrętka
- Złącze kulowe
- Złącze wylotowe
- Pompa
- Klatka filtrująca
- Łoże pompy (tylko Aquaforce 1000)

## Wstęp

Pompa jest zasilana elektrycznie i jest przeznaczona do przepompowywania ciał stałych o średnicy do 6 mm przy minimalnej konserwacji filtra wstępnego. Ten typ pomp nadaje się szczególnie do przepompowywania wody do filtrów zewnętrznych lub do użytku w wodospadach i strumieniach o dużym natężeniu przepływu tam, gdzie bardzo dużą rolę odgrywają niewielkie wymagania odnośnie konserwacji. Pompa nie wykorzystuje do smarowania olejów i smarów, można ją bezpiecznie używać w stawach rybnych i stawach z roślinnością wodną. Silnik składa się z uszczelnionego twornika i chłodzonego wodą wirnika. Wszystkie podzespoły elektryczne są zabezpieczone przed wodą.

### UWAGA

#### AUTOMATYCZNY WYŁĄCZNIK

Dla zapewnienia długiej trwałości użytkowej pompy oraz w celu zapobiegania jej uszkodzeniom, pompa została wyposażona w automatyczne zabezpieczenie na wypadek przeciążenia termicznego. Ten system wyłącza pompę w przypadku przegrzania. W przypadku pojawienia się takiej sytuacji, należy odłączyć pompę od zasilania. Sprawdzić przyczynę. Zazwyczaj przyczyną przegrzania są zanieczyszczenia blokujące otwory wlotowe pompy lub wirnika. Należy usunąć blokadę i odczekać do momentu ostygnięcia pompy. Następnie, ponownie włączyć pompę.

**UWAGA (AQUAFORCE 2500 i 4000): PRZED ZRESETOWANIEM POMPY NALEŻY ODŁĄCZYĆ JĄ OD ZASILANIA.**

## Ogólne Zalecenia Dotyczące Bezpieczeństwa

Nieprzebranie poniższych zaleceń może doprowadzić do obrażeń, uszkodzenia produktu lub utraty ryb.

1. Ta pompa została zaprojektowana w sposób pozwalający na jej użycie tylko w stawach. Używać pompy do obsługi systemów filtrów stawu, fontann, wodospadów, itp. Nie należy używać pompy do innych celów (np. nie używać pompy w basenach, faziarkach, systemach centralnego ogrzewania, itp.). Użycie pompy do innych celów może doprowadzić do obrażeń lub

uszkodzenia pompy.

2. To urządzenie nie jest przeznaczone do użycia przez osoby (również dzieci) z ograniczonymi możliwościami fizycznymi, sensorycznymi lub psychicznymi, osoby bez doświadczenia lub wiedzy, chyba, że znajdują się pod nadzorem lub zostały poinstruowane odnośnie obsługi urządzenia przez osobę odpowiedzialną za ich bezpieczeństwo. Dzieci należy pilnować, aby nie używały urządzenia do zabawy.

(Tylko Australia i NZ) Z urządzenia nie powinny korzystać dzieci ani osoby niepełnosprawne, o ile nie znajdują się one pod nadzorem osoby odpowiedzialnej, dbającej o ich bezpieczeństwo w trakcie użytkowania urządzenia. Dzieci powinny znajdować się pod nadzorem osób dorosłych. Urządzenie nie jest zabawką.

3. **OSTRZEŻENIE:** Zawsze przed włożeniem rąk do wody w celu przeprowadzenia instalacji, naprawy, konserwacji lub obsługi urządzenia, należy odłączyć od zasilania wszystkie urządzenia w stawie.

4. Nigdy nie należy podnosić pompy za kabel zasilania, może to doprowadzić do jej uszkodzenia. Jeżeli pompa jest instalowana w głębokiej wodzie, zalecamy zamontowanie do uchwyty na klatce filtrującej kabla do podnoszenia.

5. Nie należy używać i pozostawiać pompy w temperaturach poniżej zera.

6. Należy zabezpieczyć pompę przed bezpośrednim działaniem promieni słonecznych. Promienie słoneczne mogą doprowadzić do przegrzania silnika.

7. Nigdy nie należy dopuścić do pracy pompy na sucho.

8. Nie należy używać pompy bez prawidłowo zainstalowanej klatki filtrującej. Użycie pompy bez klatki filtrującej może doprowadzić do unieważnienia gwarancji.

9. **UWAGA:** Ten produkt nie jest przystosowany do (przetłaczania) wody o temperaturze przekraczającej 35°C

10. **UWAGA:** Nie należy używać urządzenia w przypadku uszkodzenia kabla zasilającego lub silnika. Nie można wymienić kabla zasilającego, ponieważ jest on na stałe zamknięty w obudowie silnika. Kabel należy wyrzucić zgodnie z miejscowymi przepisami.

11. Jeżeli woda w miejscu zamieszkania użytkownika ma wysoki stopień twardości (woda o wysokiej zawartości wapna lub kamienia), należy regularnie czyścić pompę, zespół wirnika oraz wnętrze silnika (patrz KONSERWACJA).

12. Używać tylko akcesoriów, które są przeznaczone do użycia z tym urządzeniem. Użycie innych akcesoriów może doprowadzić do unieważnienia gwarancji.

## Połączenia Elektryczne

1. **OSTRZEŻENIE:** Zawsze przed włożeniem rąk do wody w celu przeprowadzenia instalacji, naprawy, konserwacji lub obsługi urządzenia, należy odłączyć od zasilania wszystkie urządzenia w stawie.

2. Sprawdzić, czy napięcie zaznaczone na urządzeniu jest zgodne z napięciem sieci zasilającej.

3. Pompa jest dostarczana z 10 m trzyżyłowego kabla elektrycznego, który jest uszczelniony i na stałe podłączony do silnika.

Nie można wymienić kabla zasilającego. W razie uszkodzenia kabla, należy wyrzucić pompę.

Wtyczka dostarczana z produktem nie jest wodoszczelna i należy ją umieścić w suchej, wodoszczelnej obudowie.

4. Do sieci zasilającej należy podłączyć wyłącznik różnicowo-prądowy 10mA lub 30mA (RCD).
5. Instalacja musi być zgodna z krajowymi i miejscowymi przepisami dotyczącymi instalacji elektrycznych, które mogą obejmować wykorzystanie plastikowego lub metalowego przewodu do zabezpieczenia kabla.
6. **OSTRZEŻENIE:** To urządzenie należy podłączyć do zasilania z uziemieniem.
7. Kabel pompę (i przedłużacz) należy umieścić i zabezpieczyć na wypadek uszkodzenia, zwłaszcza w miejscach, w których kabel styka się ze sprzętem ogrodniczym (kosiarka, widły itp.) oraz tam, gdzie mają dostęp dzieci i zwierzęta.

## Instalacja

(Rys. 3)

## Montaż i Instalacja Pompy

### MONTAŻ

1. Otworzyć zaciski na jednym końcu klatki filtrującej i otworzyć klatkę.
  2. Wyjąć system ochrony przed organizmami wodnymi (rys. 1 – a).
  3. Wyjąć i rozpakować złącze kulowe, końcówkę do węża i złącze wylotowe (rys. 1 – b, c i d).
  4. Wyjąć i rozwinąć kabel zasilający.
  5. Przykręcić złącze wylotowe do wylotu pompy. Nie należy nadmiernie dociskać  $\epsilon$  (rys. 4).
  6. Umieścić pompę w miejscu instalacji upewniając się, że złącze wylotowe znajduje się we wgłębieniu dolnej części klatki (rys. 5).
- Uwaga:** model 1000 Pompa znajduje się w łożu, które jest przymocowane do dolnej klatki (rys. 1 - g).
7. Umieścić kabel zasilający we wgłębieniu z boku klatki. Upewnić się, że znajduje się w prawidłowej pozycji, aby nie zakleszczył się po zamknięciu klatki. (Rys. 6).
  8. Zamknąć pokrywę klatki i zabezpieczyć, wywierając nacisk na środkową część zacisku (rys. 7).
  9. Sprawdzić, czy występuje wlot i wylot złącza kulowego znajdują się w jednej linii, przykręcić nakrętkę do gwintu na złączu wylotowym (Fig 8).
  10. Używanie przewodów o małej średnicy prowadzi do ograniczenia przepływu wody. Im większa średnica przewodu, tym lepsza wydajność pompy, zwłaszcza podczas długich cykli pracy. Końcówka węża dostarczona razem z urządzeniem jest przeznaczona do węża 25 mm (1"), 32 mm (1,25") i 40 mm (1,6") oraz gwintów 3/4" BSP do przymocowania akcesoriów fontanny. Zalecamy, aby w pompach tej wielkości u używanych w wodospadach lub w połączeniu z filtrem wykorzystywany był w" o średnicy 40 mm (rys. 2 i 3). Po wybraniu urednicy w" a, aby wyeliminować ograniczenia, należy odciąć część końcówki węża, która jest mniejsza od średnicy węża (rys. 9). Przymocować wąż o odpowiedniej długości do końcówki do węża, zabezpieczyć za pomocą odpowiedniego zacisku węża i ustawić wylot węża w odpowiedniej pozycji.

11. Przykręcić końcówkę do węża bezpośrednio do zgrubienia wylotowego złącza kulowego (rys. 10). Złącze kulowe obraca się, umożliwiając ustawienie węża z dala od pompy.

### Położenie pompy do stawu

12. W celu uzyskania najlepszych wyników, pompę należy umieścić w najgłębszym miejscu stawu. Zapewni to najlepszy możliwy obieg wody w stawie i kiedy pompa będzie używana

jako pompa filtracyjna, wydajność przepompowywania ciał stałych zostanie maksymalizowana.

W celu uzyskania najlepszych wyników, nie należy umieszczać pompy bezpośrednio na dnie stawu. Zalecamy zainstalowanie pompy na płaskiej poziomej platformie, znajdującej się około 300 mm nad dnem stawu. Umożliwi to wysanie zanieczyszczeń bezpośrednio z dna stawu i w przypadku wycieku wody ze stawu, w stawie pozostanie wystarczająca ilość wody (patrz rys. 11).

Nigdy nie należy podnosić pompy za kabel zasilania, może to doprowadzić do jej uszkodzenia. Jeżeli pompa jest instalowana w głębokiej wodzie, zalecamy zamontowanie do uchwytu na klatce filtrującej kabla do podnoszenia.

### System ochrony przed organizmami wodnymi (WPS)

13. Należy pamiętać o okresach rozmnażania się organizmów wodnych i ryb przebywających w stawie. W tym czasie, narybek może zostać wciągnięty przez pompę. Aby zminimalizować ryzyko wciągnięcia narybku, gama pomp Aquaforce została wyposażona w unikalny system ochrony przed organizmami wodnymi (WPS), który pozwala na zmniejszenie wielkości wlotu ciał stałych do 2 mm. Aby skorzystać z tej funkcji, należy umieścić 4 wkładki systemu WPS w odpowiednim miejscu w dolnej klatce, w sposób przedstawiony na rysunku 12. Zamknąć górę klatki i zamocować zaciski. Jeżeli funkcja WPS zostanie aktywowana, może wystąpić konieczność częstszego odblokowywania klatki filtrującej. Kiedy narybek lub organizmy wodne osiągną wystarczającą wielkość, można wymontować system WPS z klatki filtrującej i ustawić wielkość wlotu na 6 mm.

## Konserwacja

Gama pomp Aquaforce firmy Cyprio Hozelock została zaprojektowana w sposób pozwalający na łatwą i szybką konserwację. Aby przedłużyć trwałość użytkową pompy i utrzymać wysoki poziom jej wydajności, należy przestrzegać zaleceń dotyczących konserwacji.

**Przeostrog:** Zawsze przed włożeniem rąk do wody i rozpoczęciem konserwacji należy odłączyć od zasilania WSZYSTKIE urządzenia.

1. Po zainstalowaniu pompy, codziennie należy sprawdzać ją pod kątem prawidłowego działania.
2. W przypadku spadku wydajności pompy (niskie natężenie przepływu), należy wyczyścić klatkę filtrującą. Odstępy w czyszczeniu zależą od stanu wody w stawie. W okresie letnim należy czyścić klatkę filtrującą raz w tygodniu. W celu wyczyszczenia klatki filtrującej należy otworzyć zaciski i wyjąć pompę. Następnie wyczyścić klatkę z zanieczyszczeń blokujących otwory filtra i wypłukać w czystej wodzie. Należy również sprawdzić komorę i silnik pompy pod kątem zablokowania zanieczyszczeniami.
3. Przynajmniej raz w roku należy całkowicie zdemontować pompę łącznie z zespołem wirnika w sposób opisany poniżej i umyć wszystkie jej podzespoły w czystej wodzie. Wymienić wszystkie uszkodzone lub zużyte elementy.

### Demontaż i montaż pompy

(Rys. 13 (1000) i Rys 14 (2500 i 4000))

- a. Wyłączyć pompę i wyjąć klatkę filtrującą w sposób opisany powyżej. Wyjąć pompę.
- b. Przed rozpoczęciem demontażu odczekać do momentu ostygnięcia pompy.
- c. Poluzować komorę pompy (a) obracając ją do momentu aż dwa wypusty zabezpieczające wysuną się ze wsporników korpusu silnika.
- d. Delikatnie wyciągnąć w linii prostej komorę pompy z korpusu silnika (d).
- e. Wyciągnąć zespół wirnika (c) z korpusu silnika (d).



**Ważne!** Należy uważać, aby nie upuścić małych podzespołów. Patrz rys. 15-a - montaż wirnika 1000, rys. 15-b montaż wirnika 2500 i rys. 15-c - montaż wirnika 4000.

f. Umyć wszystkie podzespoły w czystej wodzie. Nie należy używać detergentów ani innych środków chemicznych.

g. Włożyć zespół wirnika do korpusu silnika, ponownie zamontować komorę pompy i umieścić pompę w kratce filtrującej.

4. Jeżeli woda w miejscu zamieszkania użytkownika ma wysoki stopień twardości (woda o wysokiej zawartości wapna lub kamienia), należy regularnie czyścić pompę, zespół wirnika i wnętrze silnika. Odstępny w czyszczeniu zależą od stopnia twardości wody. Należy regularnie sprawdzać pompę pod kątem oznak nawarstwiania się kamienia.

Do usuwania wapna lub kamienia można używać małej nylonowej szczotki (np. szczoteczki do zębów). Zdemontować pompę w sposób opisany powyżej i wyjąć wirnik. Usunąć kamień z wirnika za pomocą czystej wody.

W przypadku dużej ilości osadu kamienia, można włączyć termiczną ochronę przed przeciążeniem (patrz WSTĘP).

## Konserwacja w Okresie Zimowym

1. W okresie jesiennym należy wyjąć pompę ze stawu.
2. Wyczyścić pompę w sposób opisany powyżej.
3. W okresie zimowym, zalecamy przechowywanie pompy w wiadrze wody. Pozwoli to uniknąć zatarć oraz wysuszenia łożysk. Jest to szczególnie ważne, jeżeli pompa jest używana w wodzie o wysokim stopniu twardości. Wiadro z pompą należy przechowywać w miejscu, w którym temperatura nie spada poniżej zera.

## Rozwiązywanie Problemów/ Wykrywanie Awarii

**Ważne** - Należy zachować ten rozdział instrukcji na wypadek korzystania z niego w przyszłości.

### NISKIE NATĘŻENIE PRZEPŁYWU WODY Z POMPY

1. Sprawdzić, czy kratka filtrująca jest czysta.
2. Wąż wylotowy o małej średnicy może ograniczać przepływ na wylocie.
3. Sprawdzić pod kątem blokady w komorze pompy.

### BRAK PRZEPŁYWU Z POMPY

1. Sprawdzić, czy pompa jest podłączona do zasilania.
2. Sprawdzić bezpiecznik, wyłącznik różnicowo-prądowy i okablowanie.
3. Sprawdzić, czy zespół wirnika nie został zakleszczony, zablokowany, uszkodzony i, czy nie jest nadmiernie zużyty.
4. Sprawdzić, czy kratka filtrująca jest czysta.
5. Ochrona termiczna przed przeciążeniem została włączona. (Patrz WSTĘP).

## Hozelock Cyprio, Gwarancja na 3+2 Lata

Jeżeli niniejsza pompa, z wyjątkiem zespołu wirnika, będzie niezdatna do użytku w ciągu 3 lat od daty jej zakupu, zostanie naprawiona lub wymieniona na nasz koszt, chyba, że nasza ekspertyza wykaże, że została uszkodzona lub była używana w sposób niewłaściwy. Aby przedłużyć 3 letnią gwarancję do 5 lat, prosimy o rejestrację pod adresem <http://register.hozelock.com>.

Zobowiązanie gwarancyjne traci swą moc w przypadku uszkodzenia pompy z powodu wypadku, nieprawidłowej instalacji lub użycia. Zobowiązanie gwarancyjne ogranicza się do wymiany wadliwej pompy.

Tej gwarancji nie można przenieść na inne osoby. Nie wpływa to na prawa klienta wynikające z przepisów. Aby skorzystać z prawa gwarancyjnego, najpierw należy skontaktować się z Centrum obsługi klienta Hozelock Cyprio, które może zażądać wysłania pompy razem z dowodem zakupu bezpośrednio na poniższy adres.

[www.hozelock.com](http://www.hozelock.com)

### Wydajność \*

Aquaforce	1000	2500	4000	6000	8000	12000	15000
Numer części	1580	1581	1582	1583	1584	1585	1586
Volty (V)	230V 50Hz	230V 50Hz	230V 50Hz	230V 50Hz	230V 50Hz	230V 50Hz	230V 50Hz
Moc (W)	25	30	50	65	95	130	180
Maks. natężenie przepływu, (l/hr)	1000	2500	4000	6000	8000	12000	15000
Maks. wysokość spadu, HMax, (m)	1.5	2.1	2.5	3.5	4.0	5.0	5.7
Ocena IP	IPX8	IPX8	IPX8	IPX8	IPX8	IPX8	IPX8
Maks. głębokość zanurzenia, (m)	2.5	2.5	2.5	2.0	2.0	2.0	2.0
Maks. temperatura wody TMax, (°C)	35°C	35°C	35°C	35°C	35°C	35°C	35°C
Użycie pod wodą i na lądzie	✗	✗	✗	✓	✓	✓	✓

\*Pomiary w kontrolowanych warunkach

## CZĘŚCI ZAMIENNE

	Numer modelu		
	1000	2500	4000
<b>Części zamienne</b>			
1. Zespół komory pompy i uszczelka	Z10005	Z10006	Z10007
2. Zespół wirnika	1680	1681	Z10000
3. Gwintowane złącze wylotowe	1682	1682	1682
4. Złącze kulowe	Z10013	Z10013	Z10013
5. Stopniowane końcówki do węży i nakrętka	Z10012	Z10012	Z10012





#### WEEE

Do not dispose of electrical appliances as unsorted municipal waste, use separate collection facilities. Contact your local government for information regarding the collection systems available. If electrical appliances are disposed of in landfills or dumps, hazardous substances can leak into the groundwater and get into the food chain, damaging your health and well-being. In the EU, when replacing old appliances with new ones, the retailer is legally obligated to take back your old appliance for disposal at least free of charge.

#### WEEE

Die Bedeutung der durchgestrichenen Mülletonne: Entsorgen Sie elektrische Gerate nicht im Hausmüll, nutzen Sie die Sammelstellen in Ihrer Gemeinde. Fragen Sie Ihre Gemeindeverwaltung nach deren Standorten der Sammelstellen. Wenn elektrische Gerate unkontrolliert entsorgt werden, koennen waehrend der Verwitterung gefaehrliche Stoffe ins Grundwasser und damit in die Nahrungskette gelangen, oder Flora und Fauna auf Jahre vergiftet werden. Wenn Sie das Gerat durch ein neues ersetzen, ist der Verkaufser gesetzlich verpflichtet, das alte mindestens kostenlos zur Entsorgung entgegenzunehmen.

#### DEEE

Ne pas jeter des appareils électriques avec les débris municipaux non triés, utiliser des installations de collecte séparées. Contacter votre municipalité pour plus d'informations concernant les systèmes de collecte disponibles. Si vous vous débarrassez d'appareils électriques sur les sites d'enfouissement des déchets ou des décharges municipales, des substances dangereuses peuvent s'infiltrer dans les eaux souterraines et contaminer la chaîne alimentaire, mettant ainsi en danger votre santé et votre bien-être. Dans l'UE, lorsqu'on remplace des anciens appareils par des nouveaux, le commerçant a l'obligation légale de reprendre votre ancien appareil, pour en disposer, au moins gratuitement.

#### WEEE

Elektrische apparaten mogen niet met het huishoudelijk restafval worden weggegooid; gebruik aparte inzamelingsfaciliteiten. Neem contact op met uw gemeente voor informatie over de beschikbare inzamelingsystemen. Als elektrische apparaten worden weggegooid in stortplaatsen of vuilnisbelten, dan kunnen gevaarlijke stoffen uitlekken, in het grondwater terechtkomen en de voedselketen binnendringen, waardoor uw gezondheid en welzijn worden geschaad. Als u oude apparaten vervangt door nieuwe, dan is binnen de EU de verkoper wettelijk verplicht om uw oude apparaat op zijn minst gratis terug te nemen voor verwijdering.

#### RAEE

Su producto está marcado con el símbolo especial del 'contenedor de basura tachado'. Este indica que: Los productos eléctricos usados no deberían mezclarse con los residuos domésticos generales y están sujetos al principio de recogida selectiva. Para obtener más información sobre cómo deshacerse de sus aparatos eléctricos viejos, póngase en contacto con su ayuntamiento. Si se desechan productos eléctricos en vertederos o botaderos, se corre el peligro de que sustancias peligrosas puedan filtrar al agua subterránea, e introducirse a la cadena alimenticia, perjudicando la salud y bienestar del público. En la UE, al cambiar aparatos usados por equipos nuevos, el detallista tiene la obligación legal de recibir su equipo viejo, por lo menos en forma gratuita, para que sea eliminado.

#### WEEE

Significato del simbolo della pattumiera con la croce: Non smaltire apparecchiature elettriche con i rifiuti domestici; utilizzare strutture di raccolta separate. Contattare le autorità locali per informazioni sui sistemi di raccolta disponibili. Se apparecchiature elettriche sono smaltite in discariche o sversatoi, sostanze pericolose possono penetrare nella falda acquifera e quindi nella catena alimentare, con possibili danni alla salute. Nell'UE, quando si sostituisce un'apparecchiatura con una nuova, il rivenditore è tenuto, per legge, a ritirare gratuitamente l'apparecchiatura esistente per lo smaltimento.

#### WEEE

Släng inte förbrukade elektriska apparater bland sorterat kommunalt avfall, använd separata återvinningstationer. Kontakta din kommunledning för information om tillgängliga uppsamlingsplatser. Om elektriska apparater slängs i naturen eller grävs ner kan farliga substanser läcka ut i grundvattnet och tas upp i näringskedjan och på så sätt skada din hälsa och välbefinnande. Inom EU är en återförsäljare skyldig att kostnadsfritt ta tillbaka dina gamla apparater för bortskaftande när du ersätter dem med nya.

#### WEEE

Kart ikke elektriske innretninger som usortert avfall. Lever dette til din lokale gjenvinningstasjon. Kontakt din kommune for informasjon angående lokale avfallshåndtering. Hvis elektriske innretninger blir kastet i naturen så kan det lekke ut farlige stoffer som kan gå i grunnvannet, noe som igjen kan forårsake nedbatt helse og trivsel. Når du i EU erstatter gamle innretninger med nye, så er forhandleren lovpålagt å ta den gamle innretningen i returen uten kostnad for deg som kunde.

#### WEEE

Smid ikke de elektriske apparater ud med din dagrenovation, men aflever dem på genbrugspladsen. Hozelock er tilmeldt renovation og genbrug af el-produkter i Danmark. Kontakt din lokale kommune for information om rigtig deponi. Hvis du smider dine elektriske apparater ud i naturen kan risikable substanser sive ned i grundvandet og dermed komme ind i fødekæden og ødelægge dit helbred. Når du erstatter gamle apparater med nye i EU så er din forhandler forpligtiget til at tage dine gamle apparater tilbage uden omkostninger.

#### WEEE

Ristillä ylivivatuun roska-astian merkitys: Älä hävittä sähkölaitteita sekajätteen mukana, käytä lajittelupisteitä. Palautta jätteesi muuttunut sähkölaite ELKER- keräyspisteeseen. Mikäli sähkölaitteita joutuu kaatopaikalle, niistä voi vapautua maaperään ja pohjaveteen terveydelle haitallisia yhdisteitä.

#### WEEE

Não descartar aparelhos elétricos dentro de um caixote de lixo com os resíduos caseiros indiscriminados; utilizar um recipiente separado para recolha. Contactar as autoridades locais para obter informações sobre os sistemas de recolha disponíveis. Se os aparelhos eléctricos forem descartados em lixeiras ou aterros, certas substâncias perigosas podem escoar para o lençol de água subterránea, penetrando na cadeia de alimentos e causando danos à sua saúde e bem-estar. Na UE, quando se substituem aparelhos eléctricos velhos por outros novos, o retalhista é legalmente obrigado a aceitar o aparelho velho e a descartar o mesmo gratuitamente.

#### WEEE

Urządzeri elektrycznych nie należy wyrzucać wraz z nieposortowanymi odpadami komunalnymi, ale do specjalnych pojemników lub punktów zbiórki. Należy zasięgnąć informacji w odpowiednim dziale lokalnych władz komunalnych na temat sposobów usuwania zużytego sprzętu. Wywożenie sprzętu elektrycznego na wysypiska grozi wyciekami niebezpiecznych substancji, które przedostają się do wód gruntowych i łańcucha żywności, co stanowi zagrożenie dla zdrowia. W krajach UE dostawca nowego sprzętu ma prawny obowiązek odebrać od klienta stary sprzęt, za co nie może pobierać od użytkownika opłaty za wywóz.



**Hozelock Cyprio**  
Midpoint Park, Birmingham B76 1AB, England.  
Tel: +44 (0)121 313 1122  
[www.hozelock.com](http://www.hozelock.com)

The Aquatics Division of Hozelock Group

43388-002