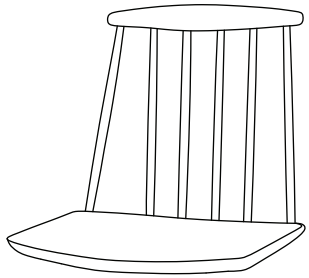


ASSEMBLY INSTRUCTION

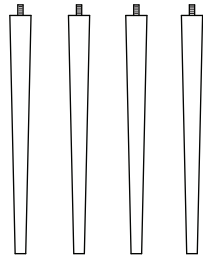
J77 Chair

* After a few weeks of use, remember to retighten the legs

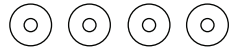
A x 1



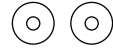
B x 4



C x 4



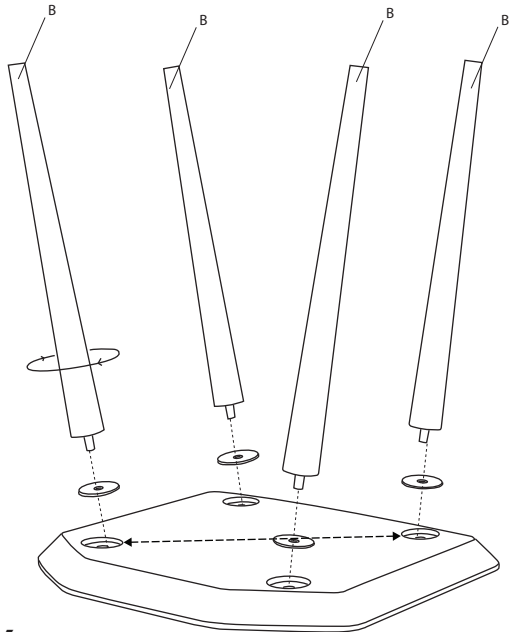
C* x 2



NOTE!

If the chair tilts

Place C* x 2 on two legs diagonally on each other



HAY

