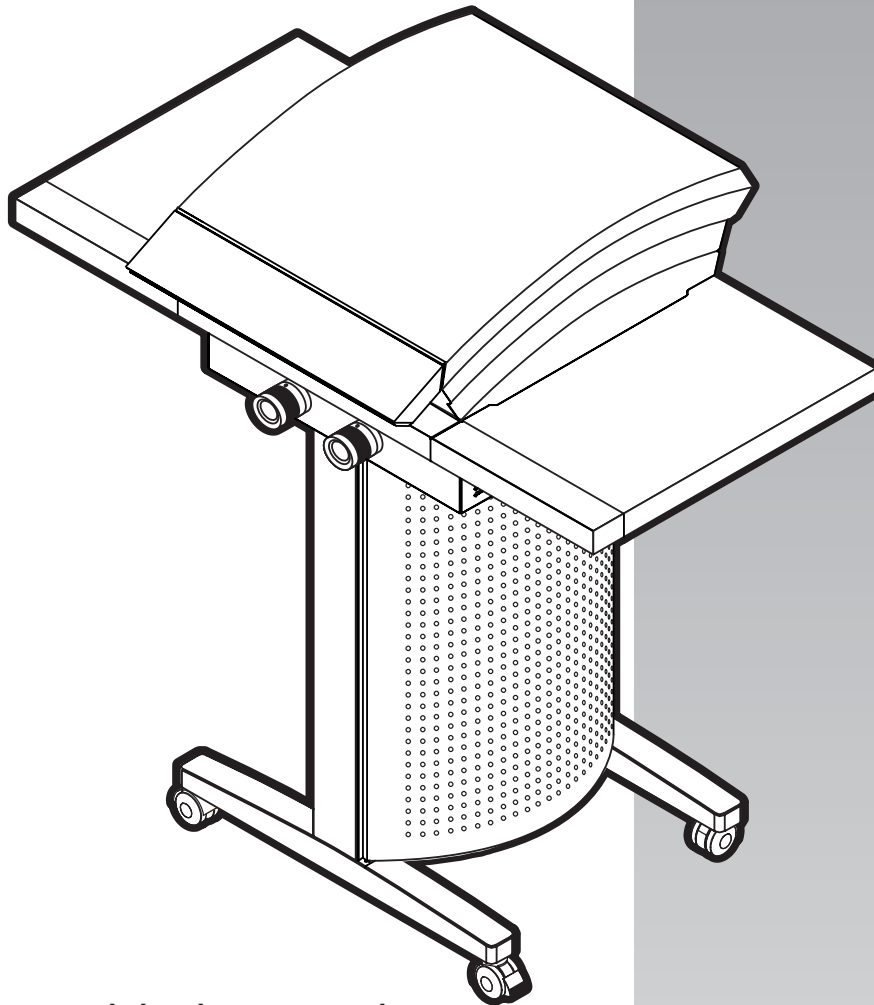


CE 0087

**grandhall**  
living style

# gas barbecue



- ⒾⒺ ⒸⒹ Assembly instructions
- ⒸⒽ ⒻⒼ Instructions d'assemblage
- ⒶⒿ ⒸⒽ ⒹⒺ Montageanweisungen
- ⒸⒽ ⒾⒿ Istruzioni per il montaggio
- ⒻⒸ ⒸⒺ ⒼⒹ Montage-instructies
- ⒸⒺ Montering
- ⒻⒾ Kokoamisohjeet
- ⒺⒾ Instrucciones de armado
- ⒻⒿ Instruções para Montagem
- ⒹⒼ Monteringsvejledning
- ⒼⒹ Montering



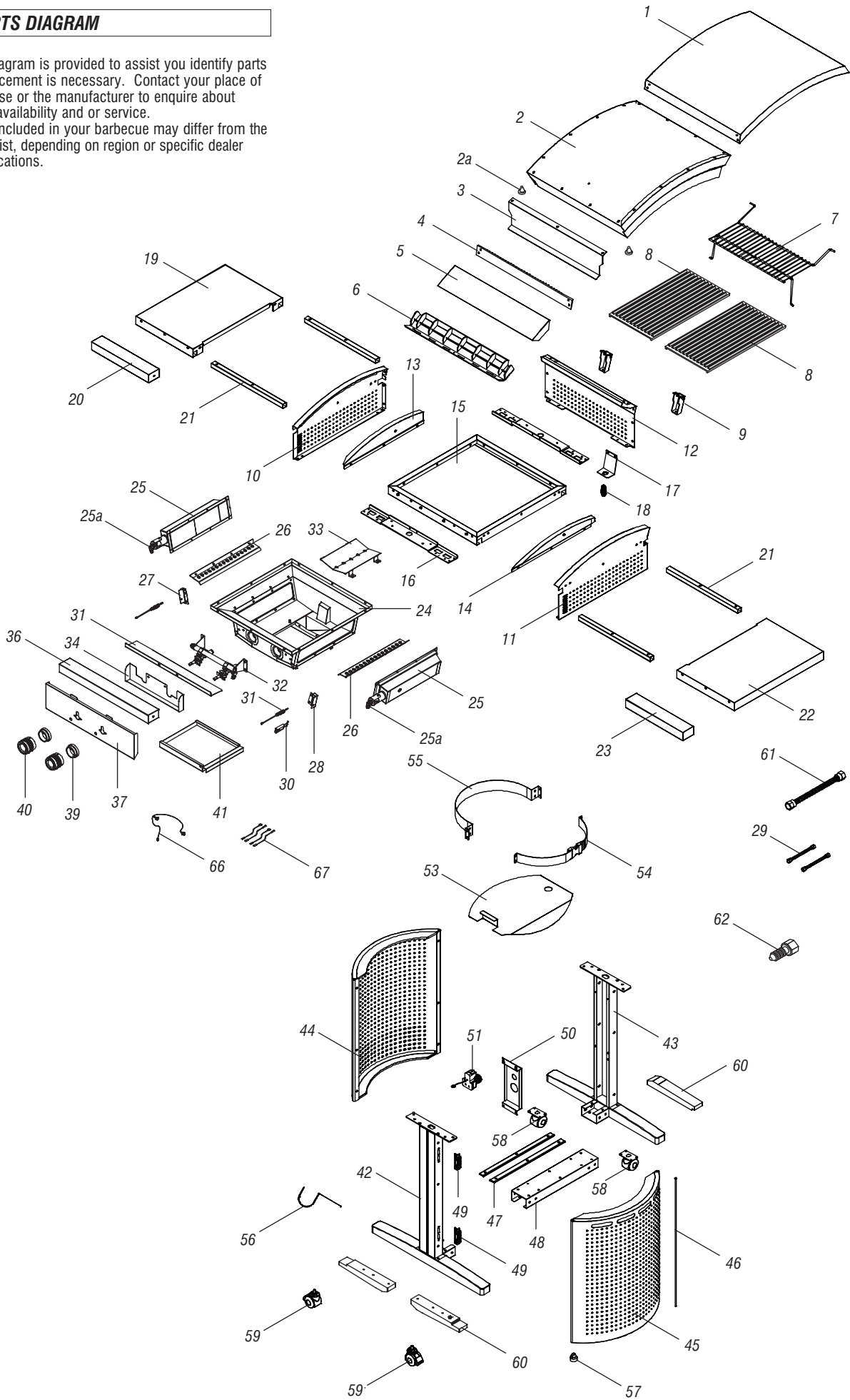
**GRILL™**

**PARTS LIST**

<b>Ref</b>	<b>Description</b>	<b>Part #</b>	<b>Qty</b>
1	Hood assembly – <i>outer</i>	P0015303IX	1
2	Hood assembly – <i>inner</i>	P0011440IK	1
2a	Protective pad – <i>hood</i>	P05518018I	2
3	Hood heat shield	P06916001B	1
4	Hood heat insulating spacer	P06917001S	1
5	Hood handle – <i>with screen print</i>	P00213023A	1
6	Hood handle lower plastic strip – <i>30 mbar</i> – <i>50 mbar</i>	P06802005A P06802005B	1 1
7	Cooking rack / secondary	P01503002I	1
8	Grill plate	P01615033F	2
9	Hood bracket	P03303114D	2
10	Bowl side panel – <i>left</i>	P0072086AM	1
11	Bowl side panel – <i>right</i>	P0072187AM	1
12	Bowl side panel – <i>rear</i>	P0072593AM	1
13	Bowl side trim plate – <i>left</i>	P0072087GA	1
14	Bowl side trim plate – <i>right</i>	P0072188GA	1
15	Bowl frame	P0073945AM	1
16	Bowl support bracket	P01306026D	2
17	Gas fitting bracket	P03324006D	1
18	Gas fitting	P03907007A	1
19	Side shelf – <i>left</i>	P01102054D	1
20	Decorative panel for side shelf – <i>left</i>	P07503018R	1
21	Side shelf bracket	P01215008C	4
22	Side shelf – <i>right</i>	P01103044D	1
23	Decorative panel for side shelf – <i>right</i>	P07502024R	1
24	Bowl assembly	P00739469A	1
25	Infrared burner assembly – <i>30 mbar</i> – <i>50 mbar</i>	Y0310036 Y0310037	1 1
25a	Jet – <i>30 mbar</i> – <i>50 mbar</i>	P06539006A P06539007A	2 2
26	Grease shield	P06901026A	2
27	Thermocouple bracket – <i>left</i>	P03327060C	1
28	Thermocouple bracket – <i>right</i>	P03327061C	1
29	$\frac{7}{16}$ " Connection hose	P03701027D	2
30	Electrode	P02614054A	2
31	Thermocouple for gas valve	P05305033D	2
32	Gas valve / manifold assembly – <i>30 / 50 mbar</i>	Y0060617	1
32aa	Gas valve without jet – <i>left, 30 / 50 mbar</i>	P03248003A	1
32ab	Gas valve without jet – <i>right, 30 / 50 mbar</i>	P03247003A	1
32c	Manifold	P05001312A	1
33	Grease tray heat shield	P06904046A	1
34	Gas valve heat shield – <i>upper</i>	P0300502CB	1
35	Gas valve heat shield – <i>lower</i>	P0300503CB	1
36	Decorative front cover	P02905623A	1
37	Control panel	P02905634E	1
39	Control knob seat	P03434015U	2
40	Control knob	P03435015C	2
41	Grease draining tray	P02717535B	1
42	Trolley frame – <i>front, with screen print</i>	P00927001H	1
43	Trolley frame – <i>rear</i>	P00927002D	1
44	Trolley panel – <i>left</i>	P04305024B	1
45	Trolley panel – <i>right / door</i>	P04306024B	1
46	Trolley panel axle / door axle	P05372001E	1
47	Gas cylinder protective pad	P03303112D	1
48	Trolley frame – <i>lower</i>	P03303113D	1
49	Door magnet	P05351003A	2
50	Trolley control panel	P03343012D	1
51	Electronic igniter – <i>2 port</i>	P02502302C	1
53	Gas cylinder heat shield	P01001067D	1
54	Cylinder fastening strap	P05314002V	1
55	Cylinder holder bracket	P04009031G	1
56	Lighting stick assembly	P05313009B	1
57	Protective pad – <i>door</i>	P055180163	1
58	Castor 2" – <i>fixed</i>	P05104005A	2
59	Castor 2" – <i>with brake</i>	P05104004A	2
60	Weight – <i>front / rear</i>	P05344012Q	3
61	$\frac{5}{8}$ " Connection hose	P03720001F	1
62	Universal hose barb	P03901024A	1
66	Electronic wire – <i>2 contact</i>	P02627003M	1
67	Electrode wire set	P02627004A	1
	Hardware pack	P06003111A	1
	Operation instructions	P80181021K	1

## PARTS DIAGRAM

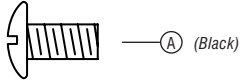
This diagram is provided to assist you identify parts if replacement is necessary. Contact your place of purchase or the manufacturer to enquire about parts, availability and or service. Items included in your barbecue may differ from the Parts List, depending on region or specific dealer specifications.



## ASSEMBLY

**CAUTION:** While possible for one person to assemble this barbecue, it is recommended obtaining assistance from a second person when handling some of the larger heavier pieces.

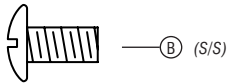
- ① Install side shelves.



Phillips pan-head screw  $\frac{3}{16}$ " x  $\frac{3}{8}$ "

Qty: 4

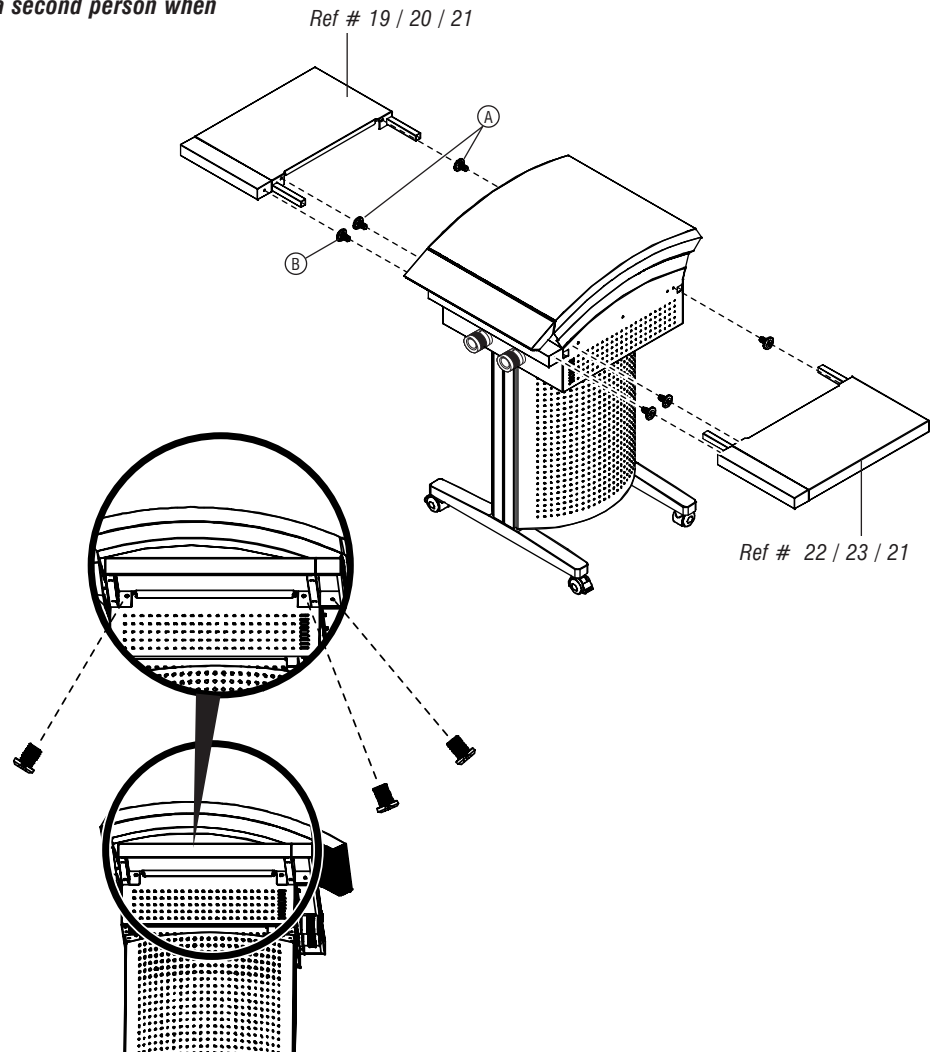
S182G03062



Phillips pan-head screw  $\frac{3}{16}$ " x  $\frac{3}{8}$ "

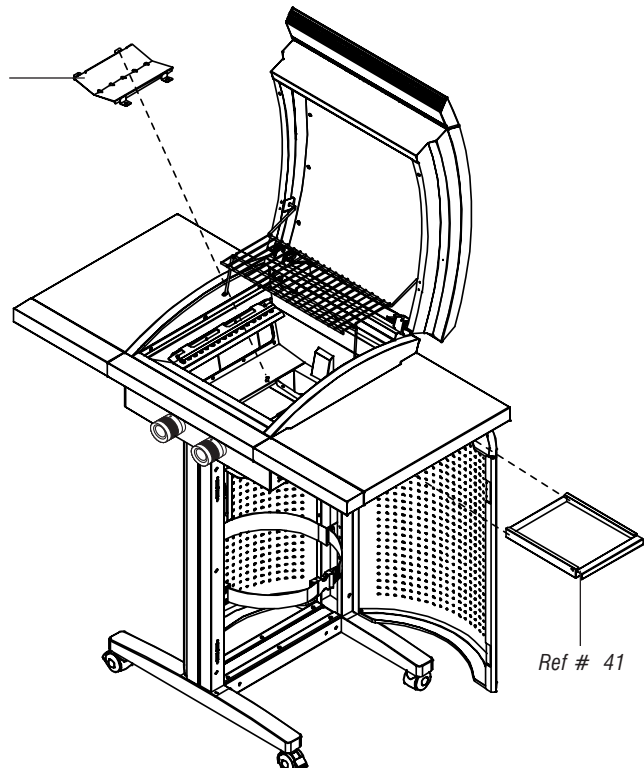
Qty: 2

S182G03061

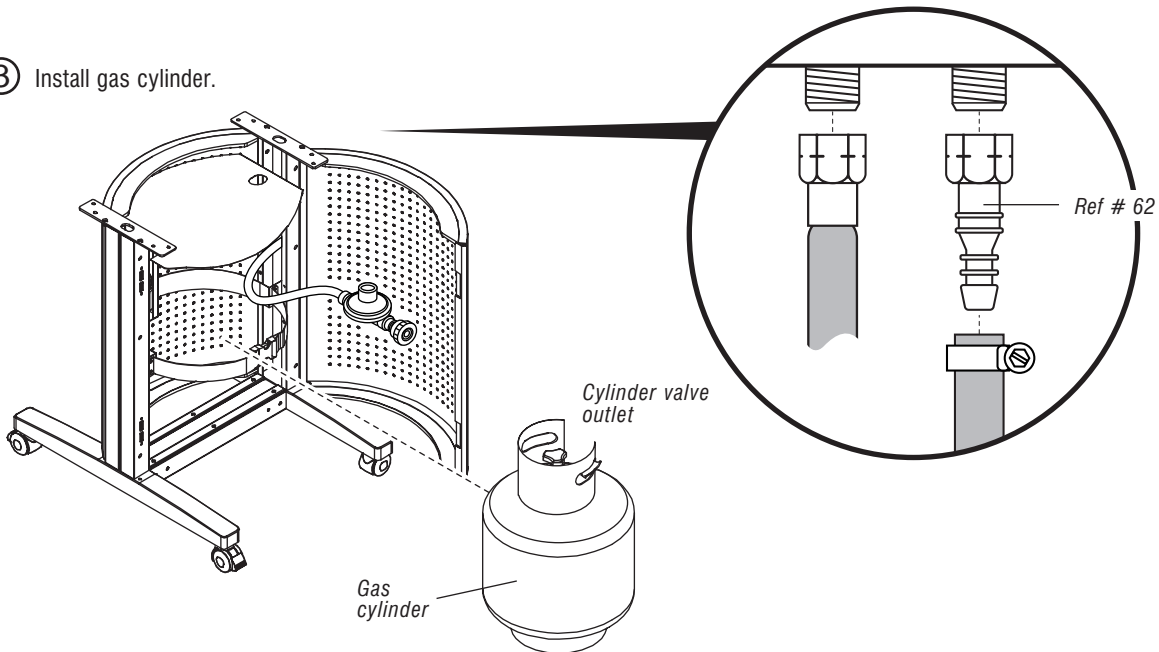


- ② Install grease heat shield and grease tray.

Ref # 33



③ Install gas cylinder.



**WARNINGS INFORMATION**

**(GB)** DO NOT OBSTRUCT THE VENTILATION OPENINGS IN THE TROLLEY.

**(FR)** NE PAS BOUCHER LES OUVERTURES DE VENTILATION DANS LE CHARIOT.

**(DE)** NICHT DIE VENTILATIONSÖFFNUNGEN IM WAGEN BLOCKIEREN.

**(IT)** NON OSTUIRE LE APERTURE DI VENTILAZIONE DEL CARRELLO.

**(NL)** DE VENTILATIEOPENINGEN IN DE TROLLEY NIET BLOKKEREN.

**(SE)** BLOCKERA EJ VENTILATIONSHÅLEN I GRILLBAREN.

**(FI)** KÄRRYN TUULETUSAUUKKOJA EI SAA PEITTÄÄ.

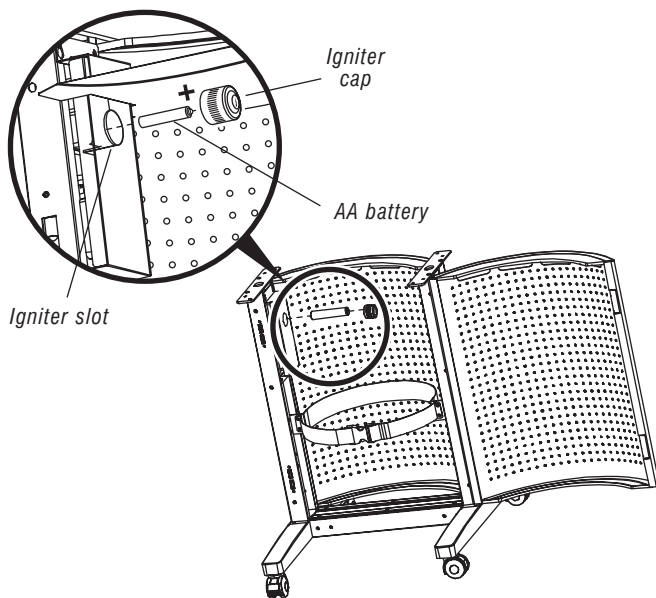
**(ES)** NO OBSTRUYA LAS ABERTURAS DE VENTILACIÓN DEL CARRITO.

**(PT)** NÃO OBSTRUA AS ABERTURAS DE VENTILAÇÃO NO TROLEI.

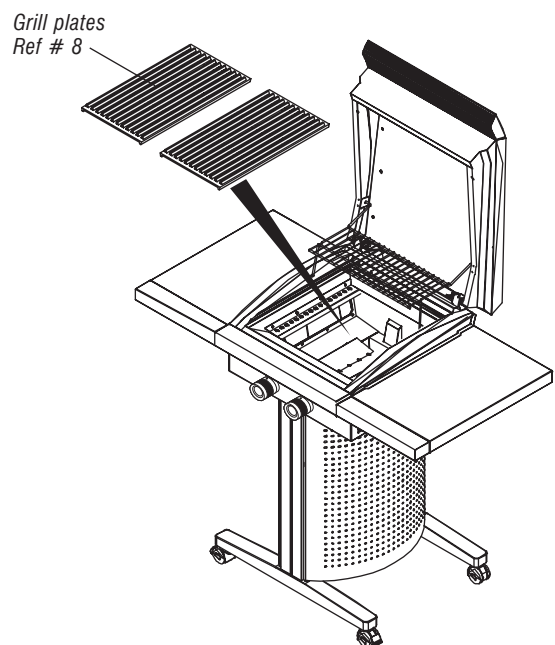
**(DK)** VENTILATIONSÅBNINGEN I TROLLEYEN MÅ IKKE SPÆRRES.

**(NO)** VENTILASJONSÅPNINGENE PÅ TRALLEN MÅ IKKE TILDEKKES.

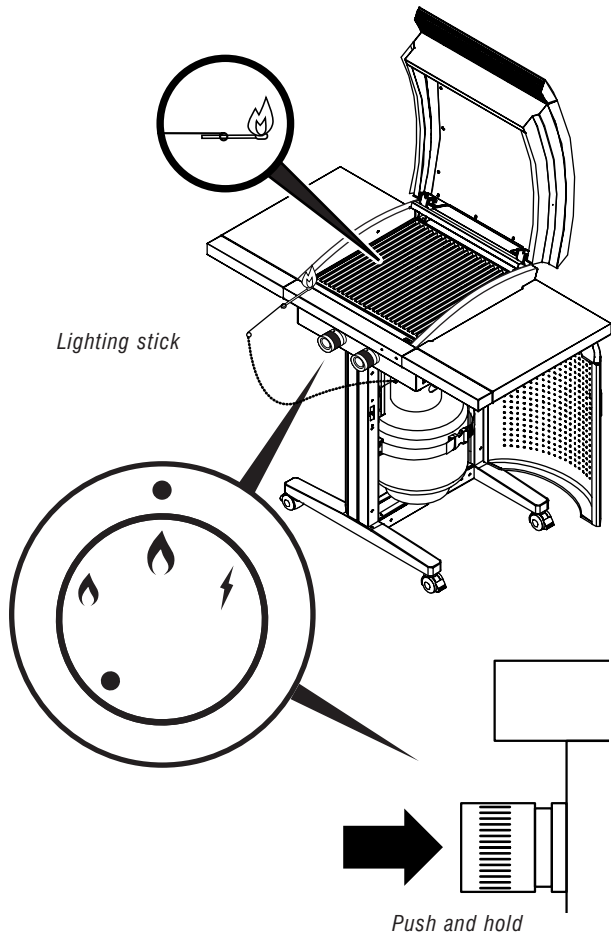
**IGNITION BATTERY**



**COOKING COMPONENT INSTALLATION**



**LIGHT BBQ WITH MATCH**



**INJECTOR**



0.91 mm	- I 3+ (28-30/37)
	- I 3B/P (30)
0.82 mm	- I 3B/P (50)

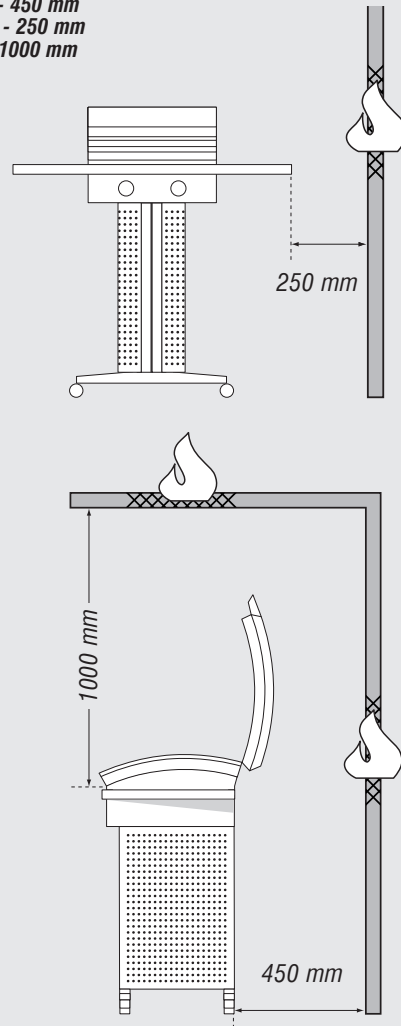
**INPUT**

3.5 kW	- 254 grams / h
--------	-----------------

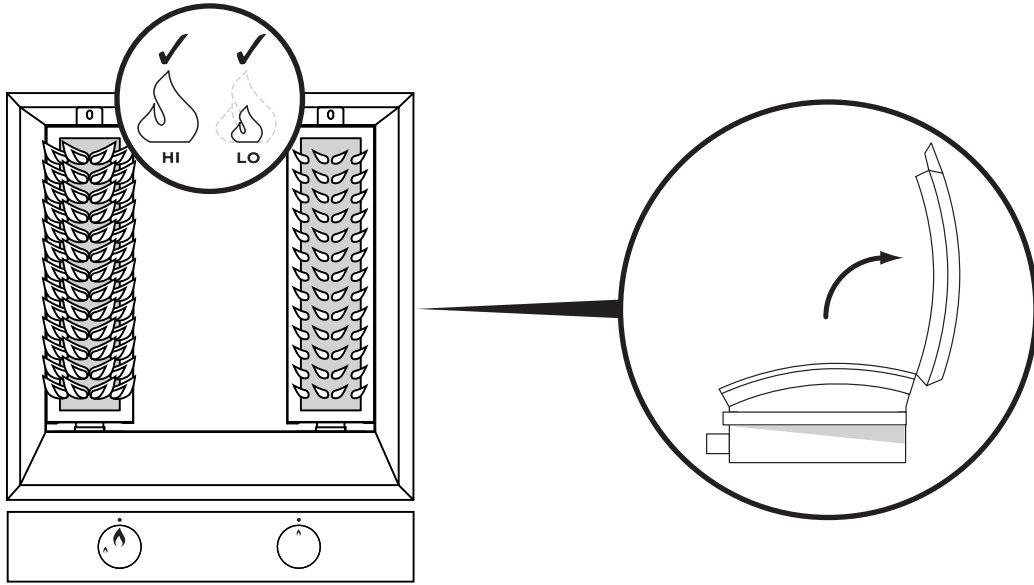


**WARNINGS INFORMATION**

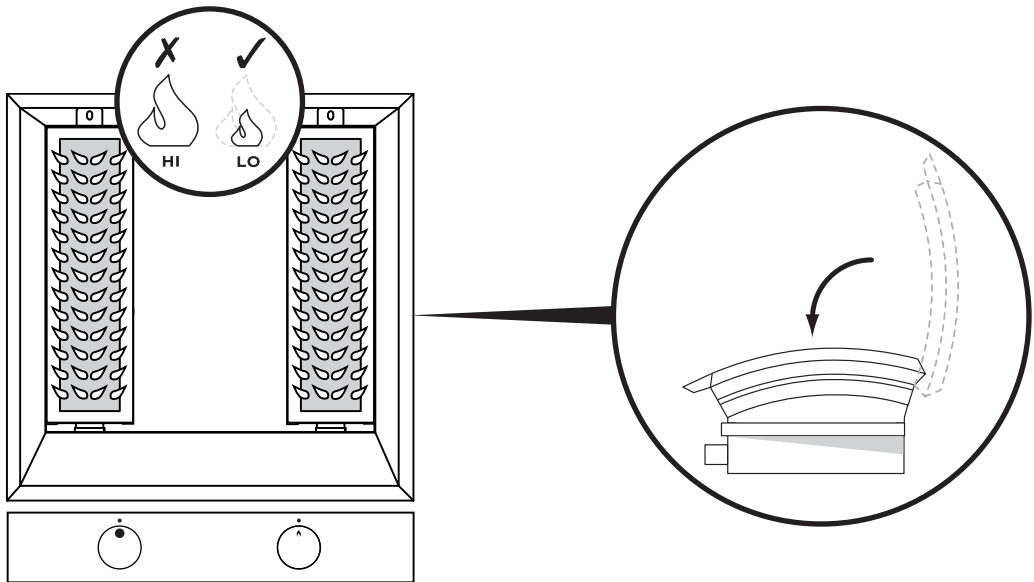
- **MINIMUM CLEARANCES FROM COMBUSTIBLE MATERIALS MUST BE:**  
**REAR - 450 mm**  
**SIDES - 250 mm**  
**TOP - 1000 mm**



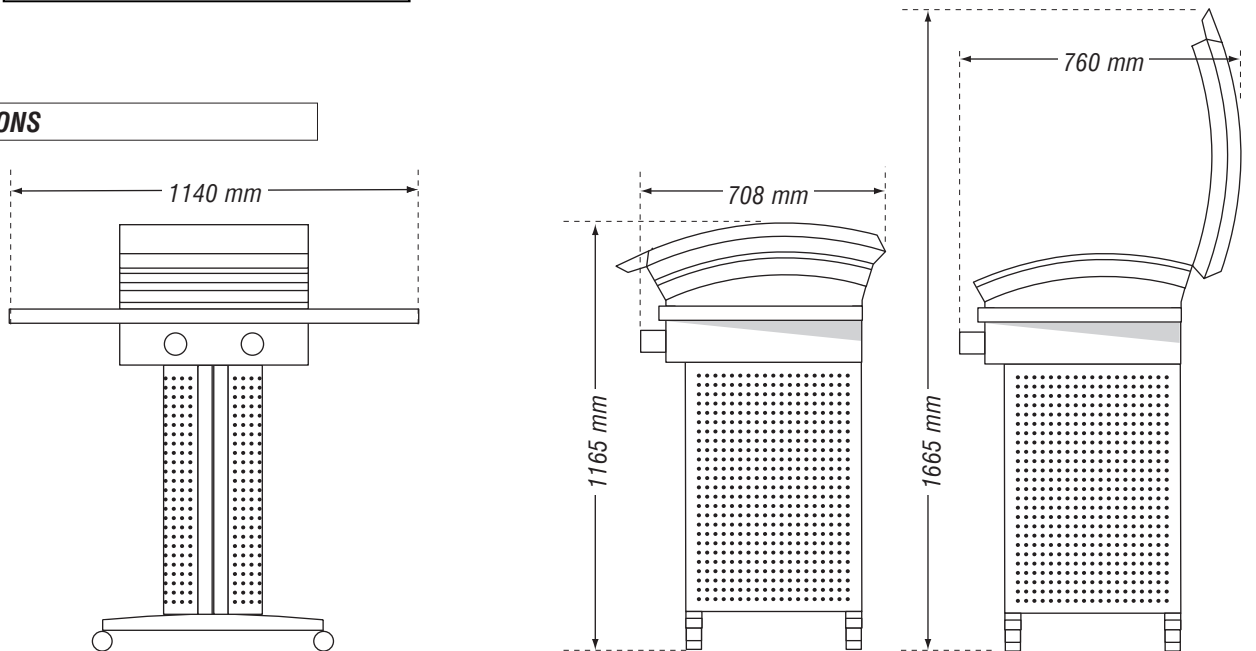
**COOKING WITH HOOD OPEN**



**COOKING WITH HOOD DOWN**



**DIMENSIONS**



Chinese Patent No. 960361  
German Patent No. 20 2006 012 212.5  
Australian Patent No. 2006100635  
U.S. Patent Pending

EU Design No. 000840186 (pending)  
AU Design No. 20607/2007 (pending)

Grand Hall Europe  
PO Box 431  
7570 AK Oldenzaal  
The Netherlands

[www.grandhall.eu](http://www.grandhall.eu)

**(IE) (GB) NOTE:** This information is a guide only. Items included in your BBQ specification may differ depending on region or specific dealer specification.

**(CH) (FR) NOTE:** Ces renseignements sont donnés à titre indicatif. Il est possible que les articles inclus dans les spécifications de votre barbecue diffèrent selon la région ou les caractéristiques stipulées par le concessionnaire.

**(AT) (CH) (DE) ANMERKUNG:** Diese Anleitung dient nur zu Informationszwecken. Einzelteile der Grillspezifikation sind unter Umständen verschieden entsprechend der Vertriebsregion oder bestimmten Händleranforderungen.

**(CH) (IT) AVVERTENZA:** Queste informazioni hanno il valore di guida soltanto. Gli articoli compresi nelle caratteristiche tecniche del barbecue potrebbero variare a seconda della regione o del concessionario.

**(LU) (BE) (NL) ATTENTIE:** Deze informatie is alleen bedoeld als gids. Onderdelen in uw BBQ specificatie en pakket kunnen per regio of per dealer verschillen.

**(SE) ANM.:** Denna information är endast avsedd som handledning. Specifikationerna för grillen kan variera regionalt eller beroende på de krav som olika återförsäljare har.

**(FI) HUOMATKAA:** Nämä tiedot ovat pelkästään suuntaa antavia. Ostamanne grillin yksityiskohdat voivat olla erilaiset paikkakunnan tai erityisten myyjäkohtaisten yksityiskohtien mukaan.

**(ES) NOTA:** Esta información es una guía únicamente. Es posible que las indicaciones incluidas en las especificaciones de su Asador sean diferentes según la región o las especificaciones específicas del representante.

**(PT) NOTA:** Esta informação é simplesmente um guia. Os itens incluídos na especificação do seu BBQ poderão diferir dependendo da especificação da região ou do vendedor específico.

**(DK) NB:** Denne information er kun vejledende. Specifikationer kan variere efter ønske fra forhandler, eller i henhold til nationale regler.

**(NO) NB:** Denne informasjon er kun veiledende. Spesifikasjoner kan variere som stipulert av forhandler, eller i henhold til nasjonale krav.

All specifications are subject to change without notice.

Toutes les caractéristiques sont susceptibles d'être modifiées sans préavis.

Änderungen ohne vorherige Bekanntgabe vorbehalten.

Tutti i dati tecnici possono cambiare senza preavviso.

Alle specificaties kunnen zonder voorafgaande kennisgeving worden gewijzigd.

Kaikki oikeudet teknisten tietojen muutoksiin pidätetään.

Kaikki yksityiskohdat voivat muuttua ilman, etta niistä erikseen ilmoitetaan.

Todas las especificaciones están sujetas a cambios sin previo aviso.

Todas as especificações estão sujeitas a alteração sem aviso.

Alle specifikationer kan ændres foruden varsel.

Spesifikasjoner kan endres uten varsel.

Manufacturer:

Grand Hall Enterprises Co. Ltd.  
9th Fl. No 298 Rueiguang Rd  
Neihu, Taipei, Taiwan