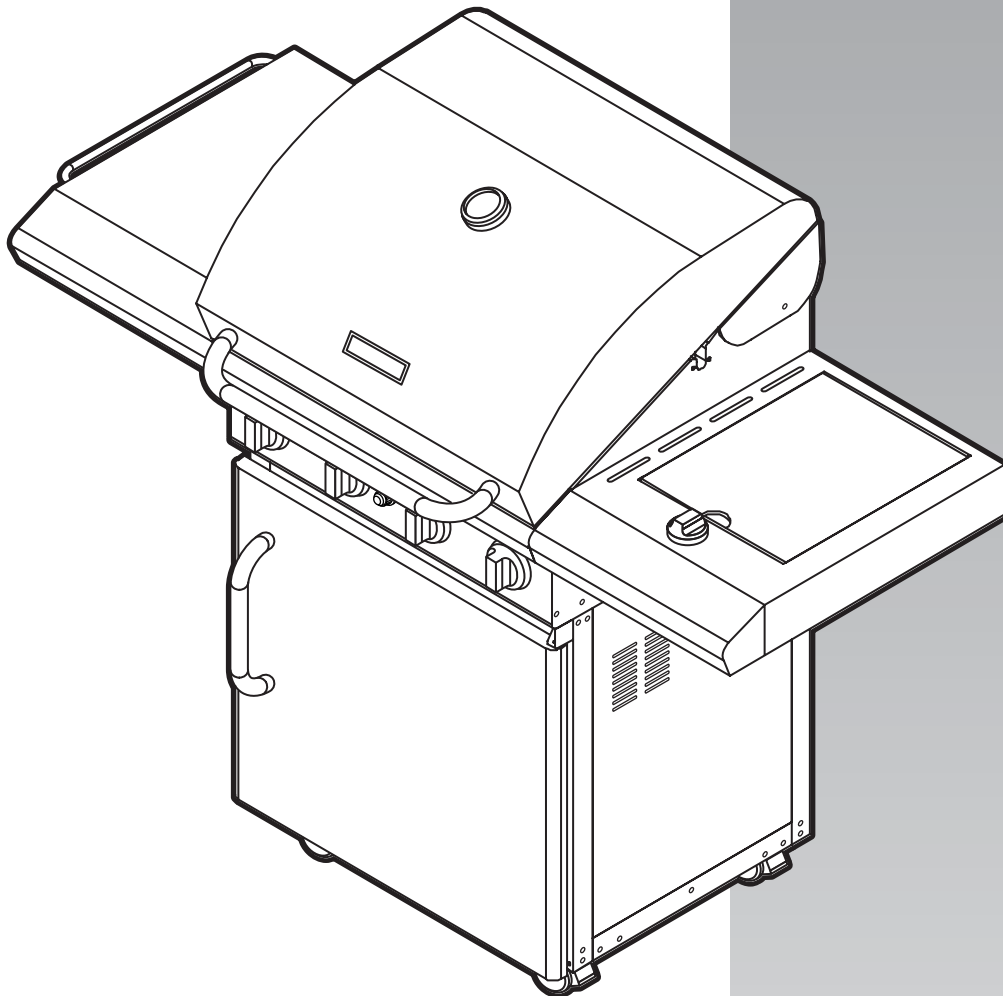


CE

grandhall
outdoor living style

gas barbecue



- ⒾⒺ ⒸⒺ Assembly instructions
- ⒸⒽ ⒻⒼ Instructions d'assemblage
- ⒶⒹ ⒸⒽ ⒹⒺ Montageanweisungen
- ⒸⒽ ⒾⒹ Istruzioni per il montaggio
- ⒴⒰ ⒸⒺ ⒼⒹ Montage-instructies
- ⒸⒺ Montering
- ⒻⒿ Kokoamisohjeet
- ⒺⒾ Instrucciones de armado
- ⒻⒹ Instruções para Montagem
- ⒹⒾ Monteringsvejledning
- ⒼⒹ Montering

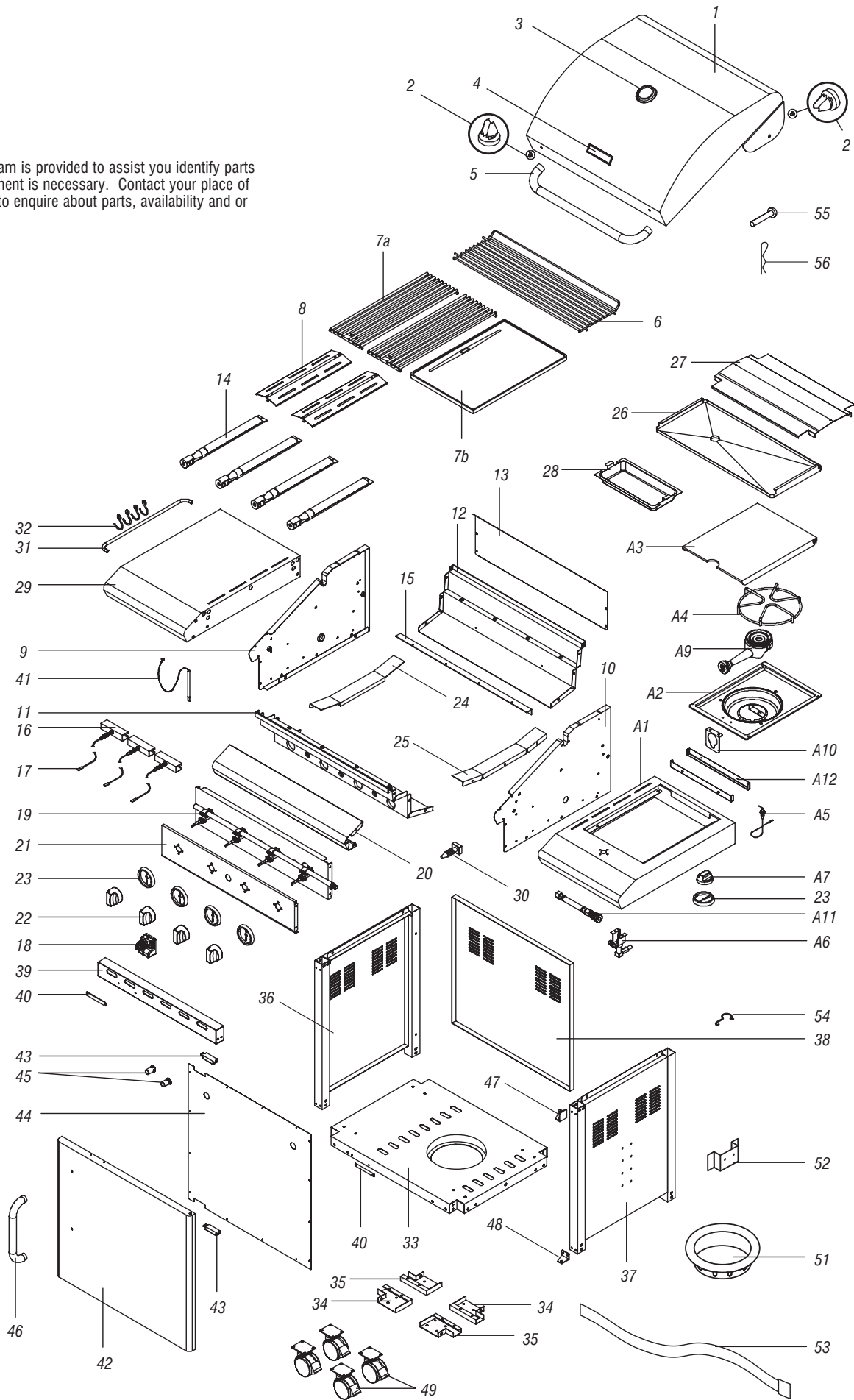
premium 323

PARTS LIST

Ref	Description	Part No.	Qty
1	Hood assembly	P00119114D	1
2	Protective pad	P05518001I	4
3	Temperature gauge	P00601011B	1
4	Hood badge	P00407006S	1
5	Hood handle	P00205055B	1
6	Cooking rack – fixed	P01505008E	1
7a	Grill plate	P01602004E	2
7b	Hot plate	P01702008E	1
8	Flame tamer	P01705009E	2
9	Body panel – left	P00720261A	1
10	Body panel – right	P00721281A	1
11	Body panel – front	P00738169A	1
12	Body panel – rear	P00725219A	1
13	Body panel – rear wind shield	P00725224A	1
14	Burner – main	P02008059A	1
15	Burner support bracket	P02209012B	1
16	Gas collector box with electrode	P026080124	3
17	Electronic wire set	P02615023A	1
18	Electronic igniter – 4 port	P02502164C	1
19	Gas valve / manifold / heat shield assembly		
	– 30 mb	Y0060306	1
	– 50 mb	Y0060294	1
19a	Manifold	P05005161H	1
19b	Jet main burner – 30 mbar	P06519023A	1
	– 50 mbar	P06519025A	1
19c	Gas valve – without jet	P03222101A	1
19d	Heat shield	P03007073B	1
20	Decorative front panel	P07508004F	1
21	Control panel – with screen print, 30 mbar	P02907581A	1
	– with screen print, 50 mbar	P02907581B	1
22	Control knob for main burner	P03419123M	4
23	Control knob seat – main side	P03415263L	5
24	Grease tray track – left	P05330006K	1
25	Grease tray track – right	P05330007K	1
26	Grease draining tray	P02706126A	1
27	Grease draining tray heat shield	P06903025B	1
28	Grease receptacle	P02701075B	1
29	Side shelf – left	P01102010C	1
30	Universal hose barb	P03901024A	1
31	Tool holder	P05514008A	1
32	Tool hook	P05514053F	4

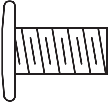
Ref	Description	Part No.	Qty
33	Trolley bottom shelf	P01002032D	1
34	Castor seat – left front / right rear	P05327007G	2
35	Castor seat – right front / left rear	P05327008G	2
36	Trolley legs with side panel – left	P07617001B	1
37	Trolley legs with side panel – right	P07618022B	1
38	Trolley rear panel	P07702057B	1
39	Trolley bracket – front	P03305015D	1
40	Door stop plate	P05510002B	2
41	Lighting stick	P05313023B	1
42	Door	P04304001B	1
43	Door magnet	P05523002K	2
44	Door trim plate	P07510002B	1
45	Door spacer	P06801010G	2
46	Door handle	P00205029B	1
47	Door hinge bracket – top right	P03313002D	1
48	Door hinge bracket – bottom right	P03313003D	1
49	Castor – 3" with brake	P05119001A	4
51	Frame for gas cylinder	P04021004C	1
52	Gas cylinder bracket	P03327020D	1
53	Gas cylinder strap	P05314001V	1
54	Hose retention hook	P05528001E	1
55	Hood hinge pin	P05501014B	2
56	Hinge pin clip	P05501010B	2
A1	Side burner frame	P01104015C	1
A2	Side burner body assembly	P02302005D	1
A3	Side burner lid	P00115345K	1
A4	Pot support	P00805013B	1
A5	Side burner electrode	P02607005C	1
A6	Side burner gas valve assembly – 30 mbar	Y0060263	1
	– 50 mbar	Y0060271	1
A6a	Jet side burner – 30 mbar	P06519022A	1
	– 50 mbar	P06519027A	1
A7	Side burner control knob	P03426093M	1
A9	Side burner body with brass burner ring	P02002007A	1
A10	Side burner bracket	P02215072E	1
A11	Side burner connection hose	P03705019J	1
A12	Side burner body bracket	P03305011D	2
	Hardware pack	P06001042A	1
	Operating instructions	P80140044K	1

This diagram is provided to assist you identify parts if replacement is necessary. Contact your place of purchase to enquire about parts, availability and or service.

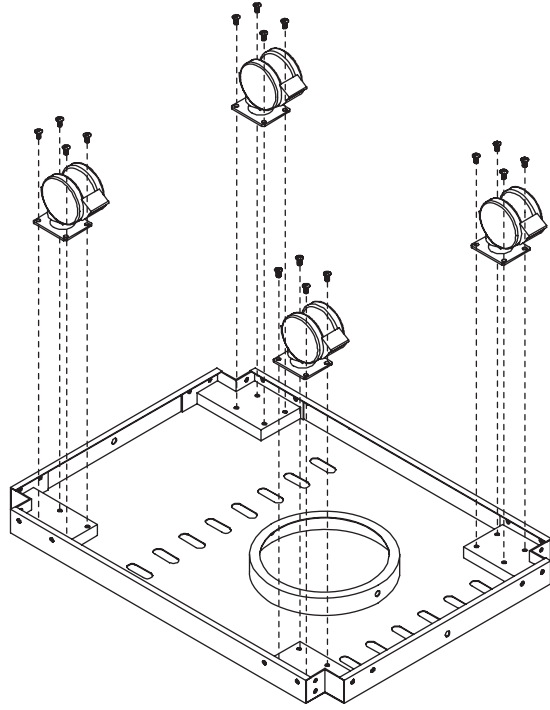


ASSEMBLY

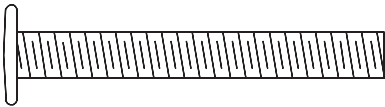
1



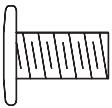
Phillips-head screw 1/4" x 1/2"
Qty: 16



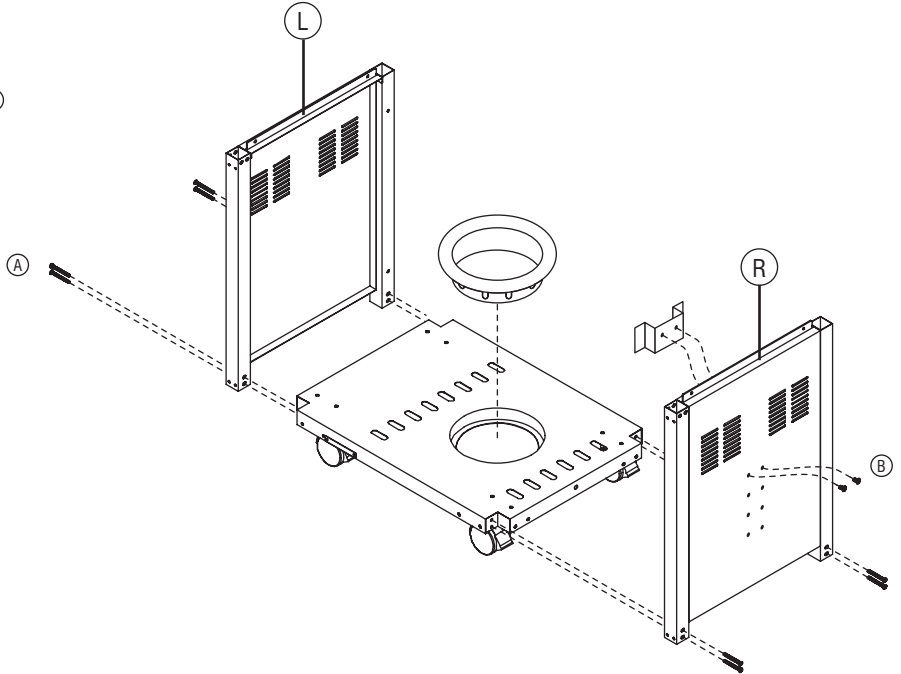
2



Phillips-head screw 1/4" x 2"
Qty: 8

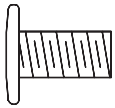


Phillips-head screw 1/4" x 1/2"
Qty: 2

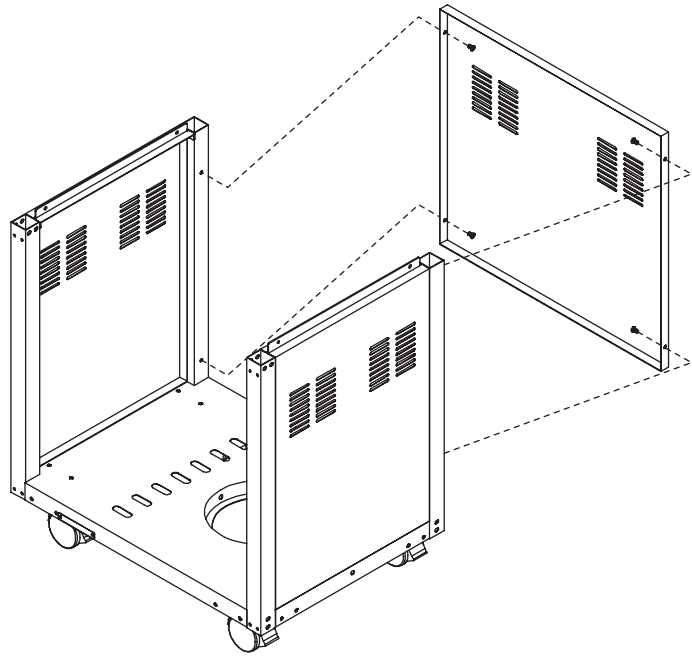


4

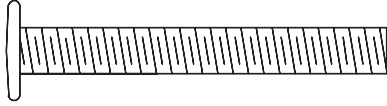
3



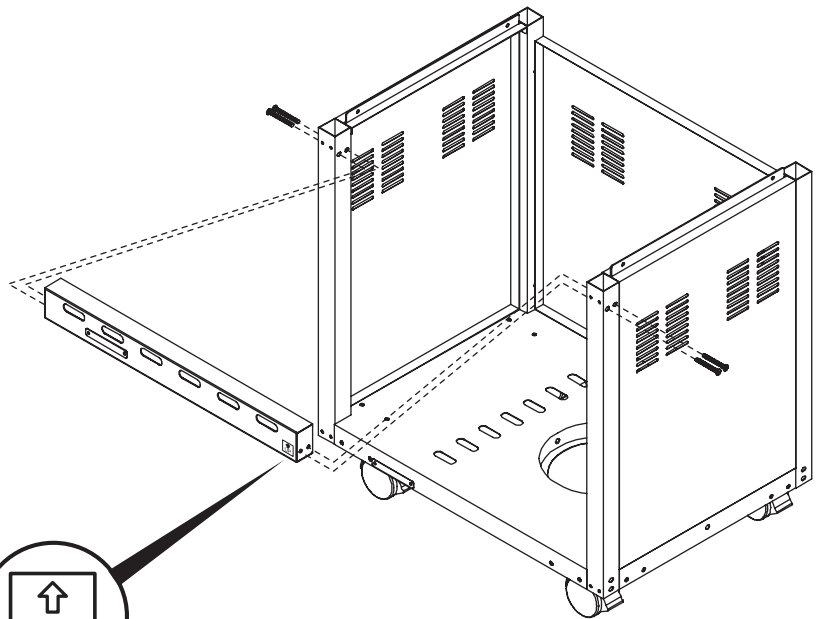
Phillips-head screw 1/4" x 1/2"
Qty: 4



4

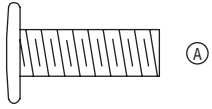


Phillips-head screw 1/4" x 2"
Qty: 4



5

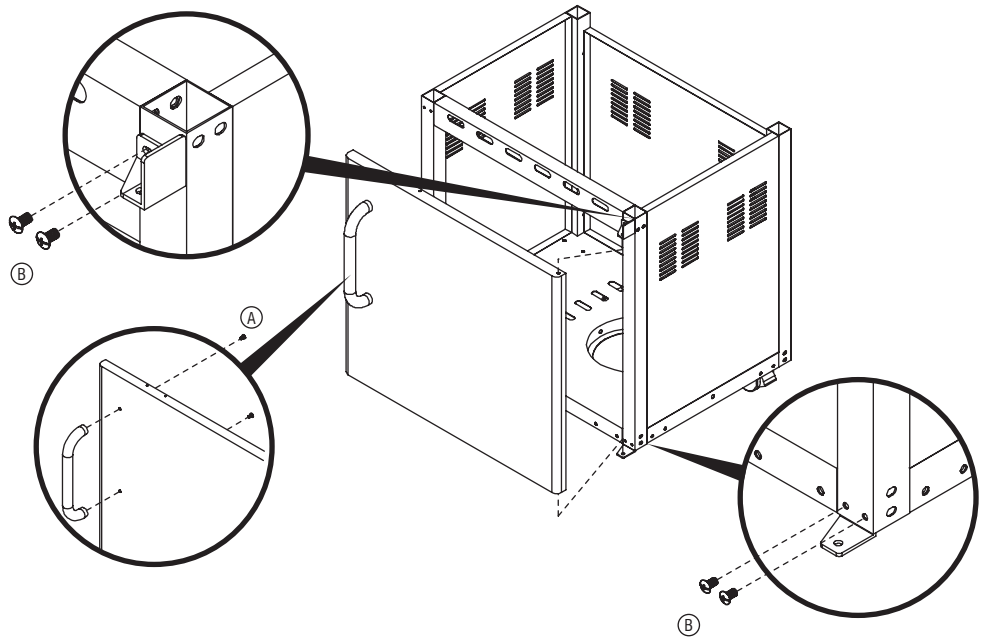
5



Door handles
Phillips-head screw 1/4" x 3/4"
(Stainless steel)
Qty: 2



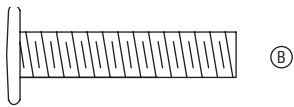
Door hinges
Phillips-head screw 3/16" x 3/8"
Qty: 4



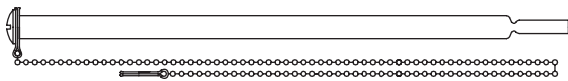
6



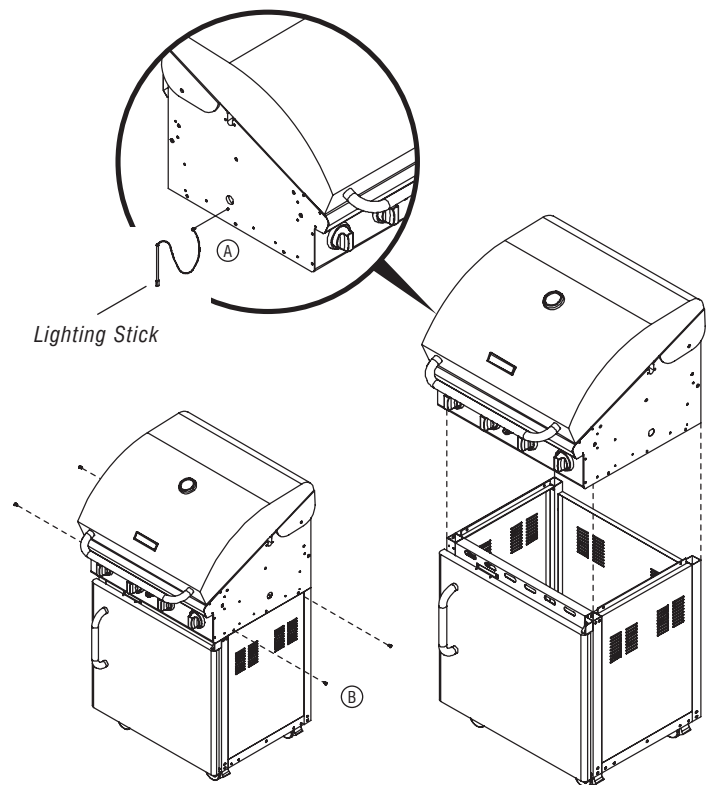
Lighting stick to barbecue body
Phillips-head screw M4 x 8 mm
Qty: 1



Barbecue body to trolley
Phillips-head screw 1/4" x 1 3/16"
Qty: 4



Lighting Stick
Qty: 1

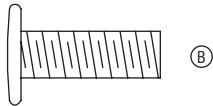


6

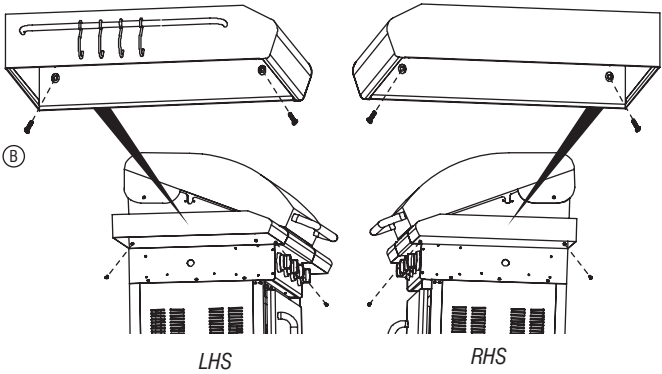
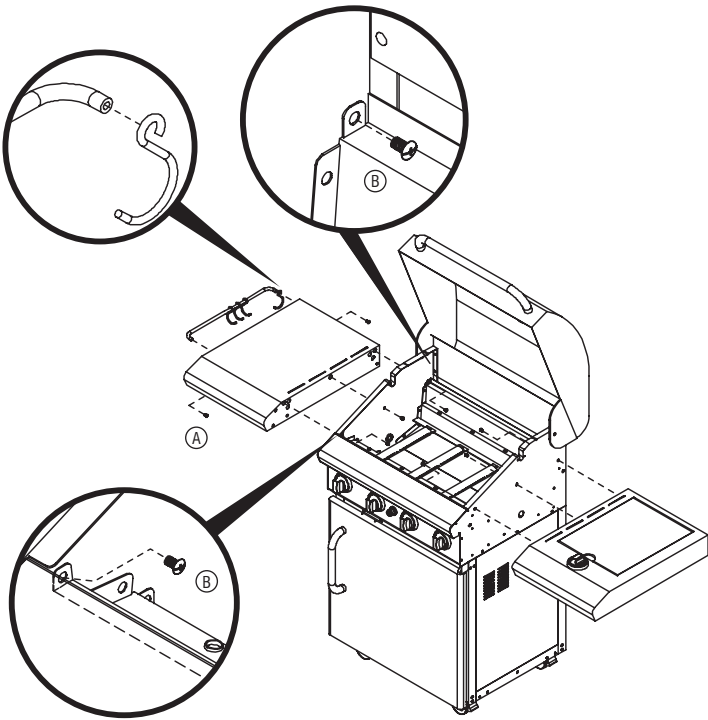
7



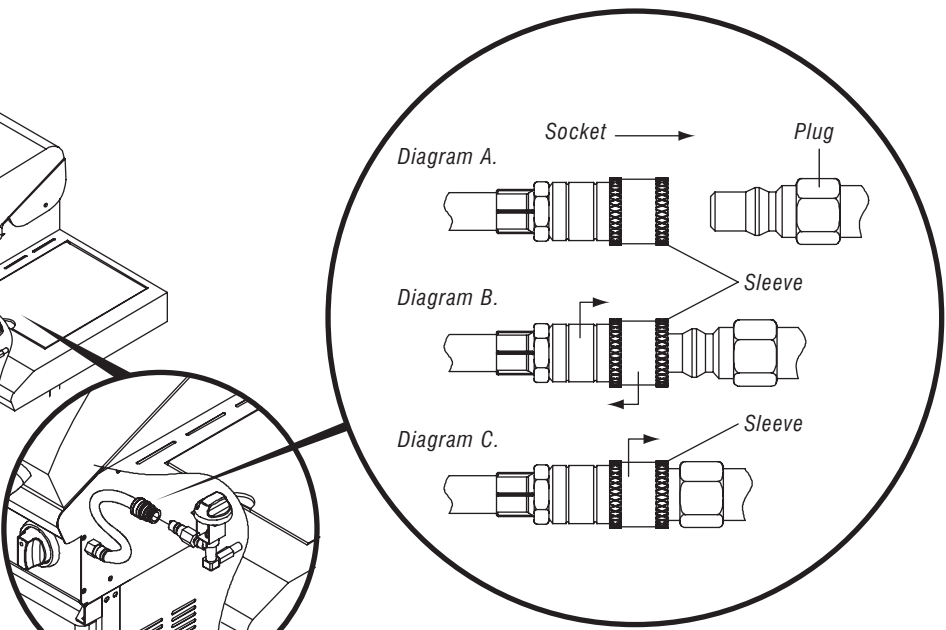
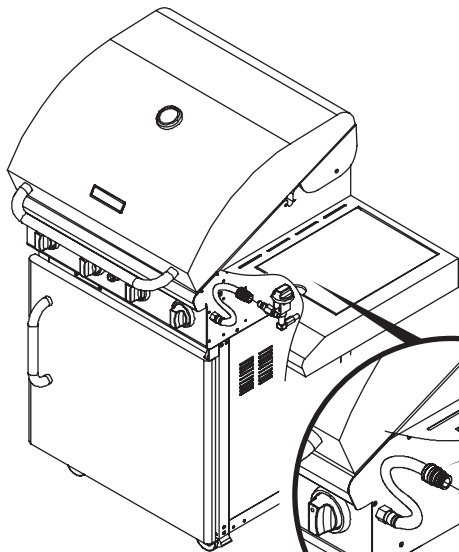
Tool holder to side shelf
Phillips-head screw
M5 x 8 mm
Qty: 2



Side shelves / side burner to barbecue head
Phillips-head screw
1/4" x 3/4"
Qty: 10

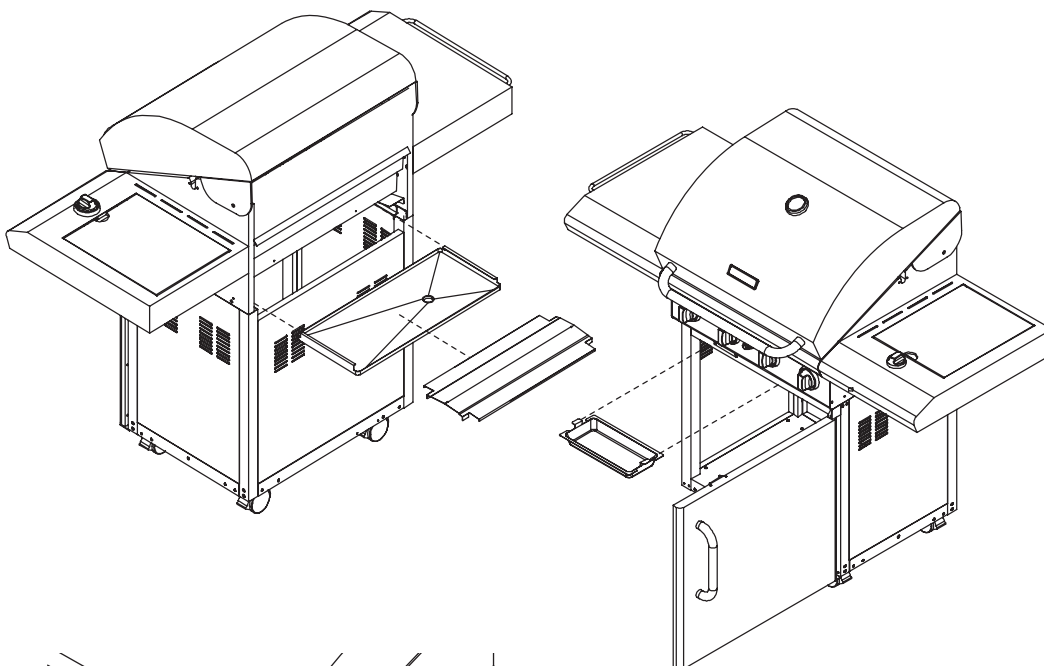


8

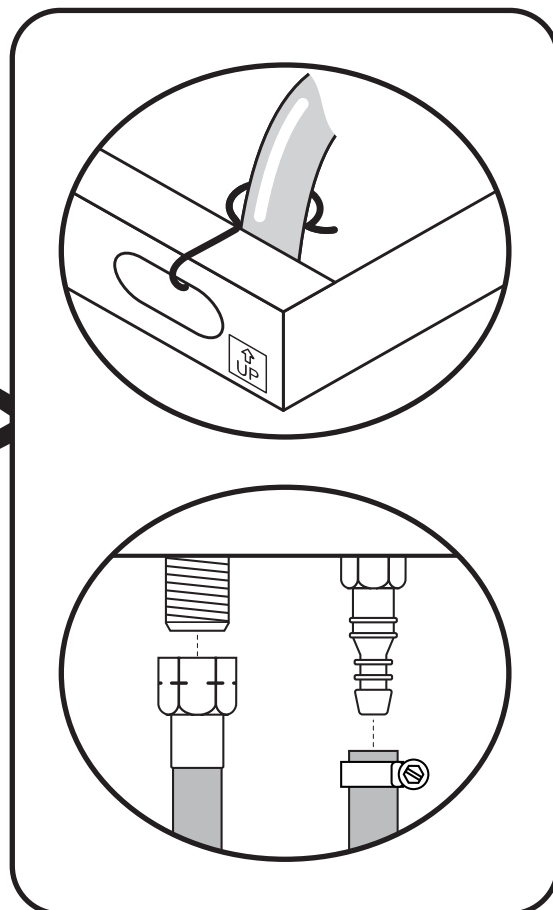
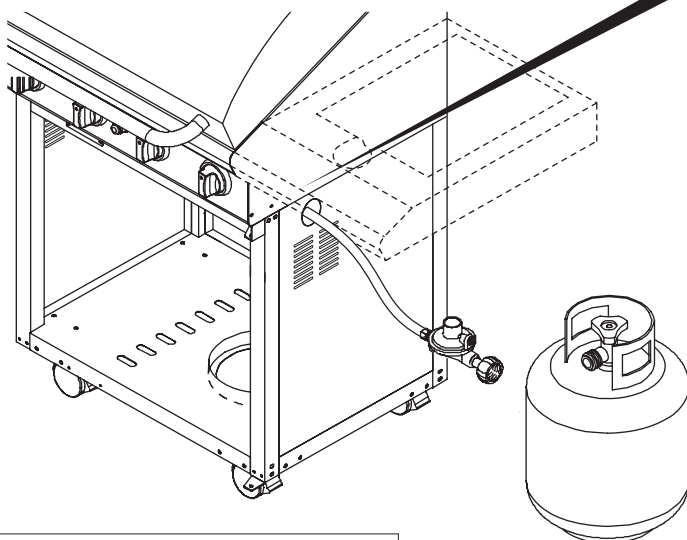
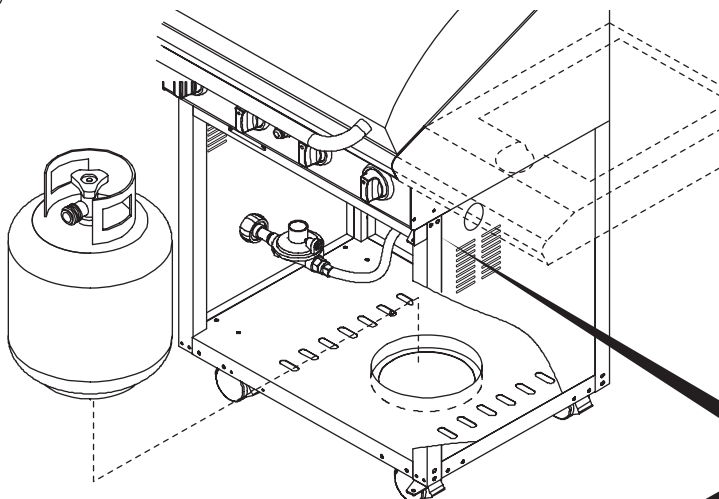


7

9



10



WARNINGS INFORMATION

(GB) DO NOT OBSTRUCT THE VENTILATION OPENINGS IN THE TROLLEY.

(FR) NE PAS BOUCHER LES OUVERTURES DE VENTILATION DANS LE CHARIOT.

(DE) NICHT DIE VENTILATIONSÖFFNUNGEN IM WAGEN BLOCKIEREN.

(IT) NON OSTRUIRE LE APERTURE DI VENTILAZIONE DEL CARRELLO.

(NL) DE VENTILATIEOPENINGEN IN DE TROLLEY NIET BLOKKEREN.

(SE) BLOCKERA EJ VENTILATIONSHÅLEN I GRILLBAREN.

(FI) KÄRRYN TUULETUSAUKKOJA EI SAA PEITTÄÄ.

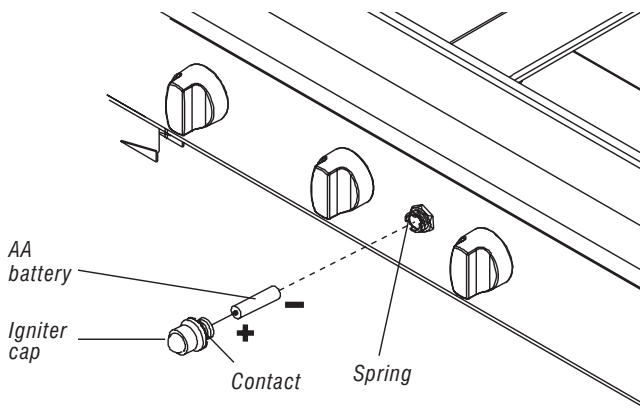
(ES) NO OBSTRUYA LAS ABERTURAS DE VENTILACIÓN DEL CARRITO.

(PT) NÃO OBSTRUA AS ABERTURAS DE VENTILAÇÃO NO TRÓLEI.

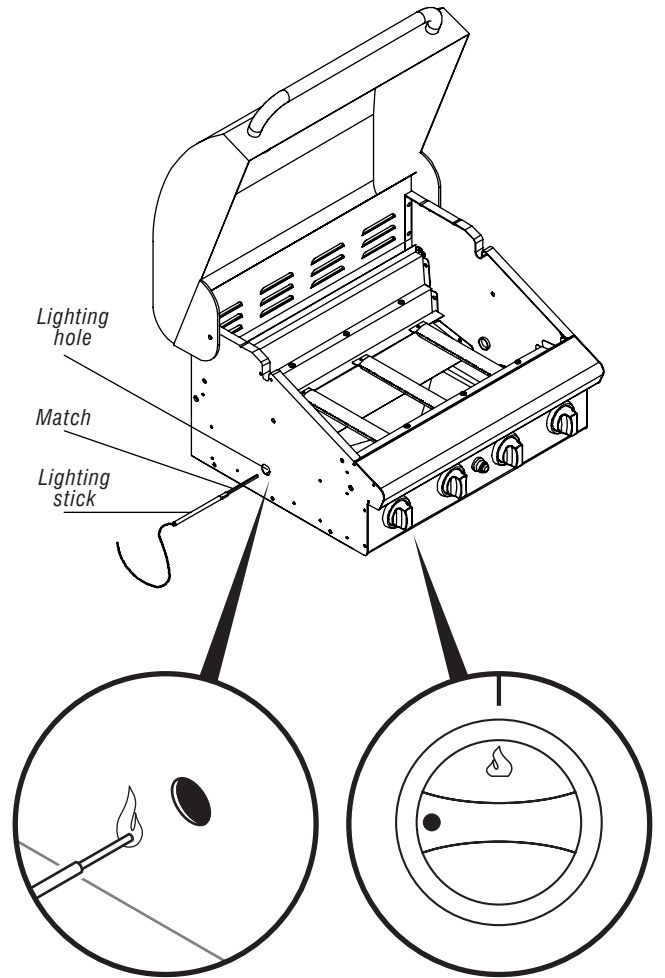
(DK) VENTILATIONSÅBNINGEN I TROLLEYEN MÅ IKKE SPÆRRES.

(NO) VENTILASJONSÅPNINGENE PÅ TRALLEN MÅ IKKE TILDEKES.

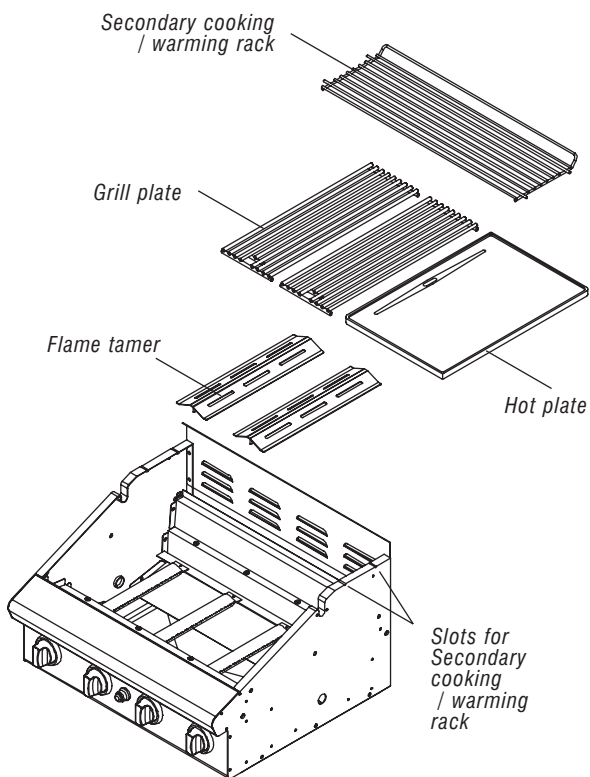
IGNITION BATTERY



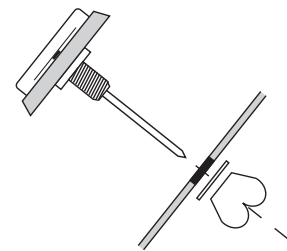
LIGHT BBQ WITH MATCH



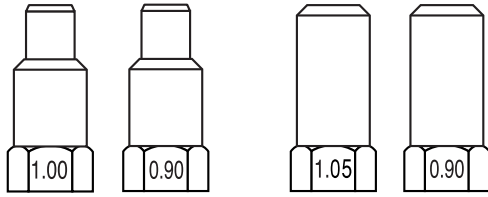
COOKING COMPONENT INSTALLATION



TEMPERATURE GAUGE



INJECTOR



Main

Side

•Main	1.00 mm	- I 3+ (28-30/37)
		- I 3B/P (30)
	0.90 mm	- I 3B/P (50)
•Side	1.05 mm	- I 3+ (28-30/37)
		- I 3B/P (30)
	0.90 mm	- I 3B/P (50)

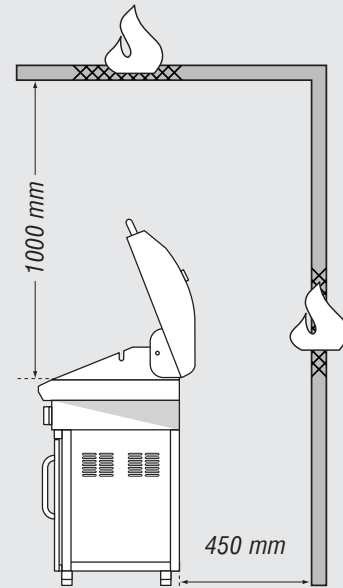
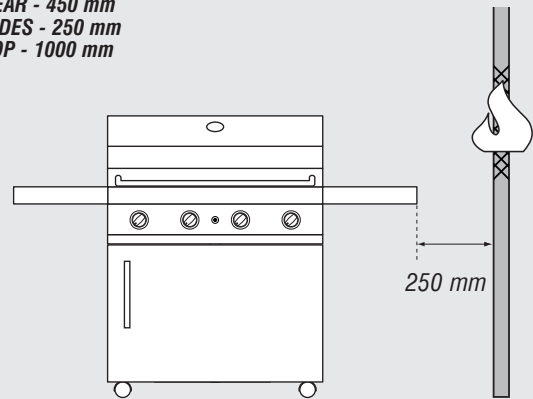
INPUT

•Main	17.6 kW	- 1278 grams / h
•Side	4.5 kW	- 327 grams / h

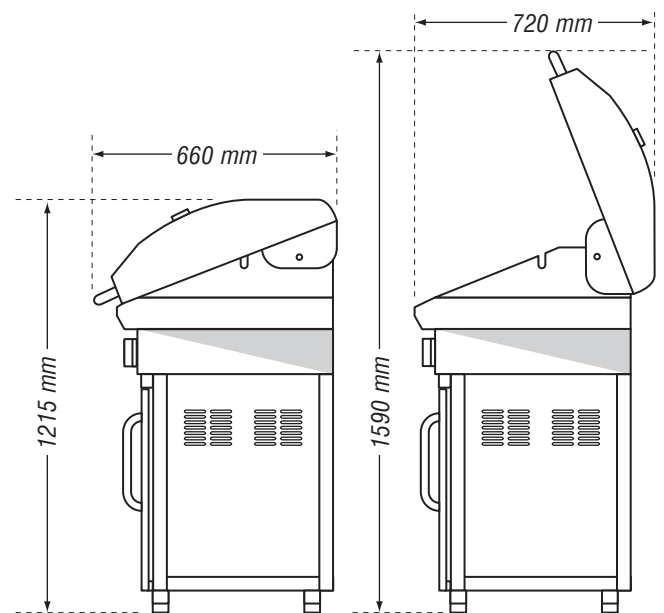
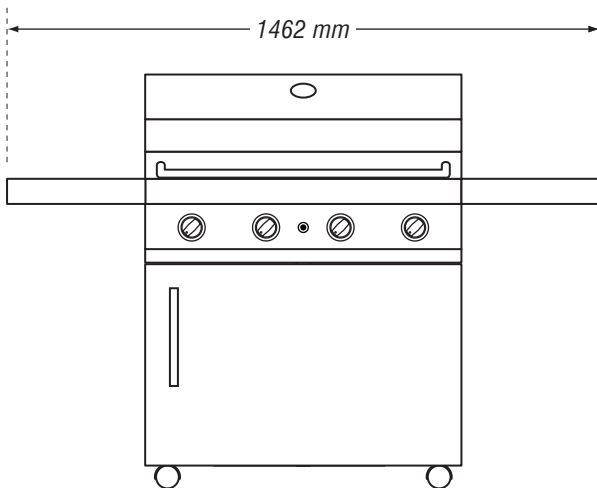


WARNINGS INFORMATION

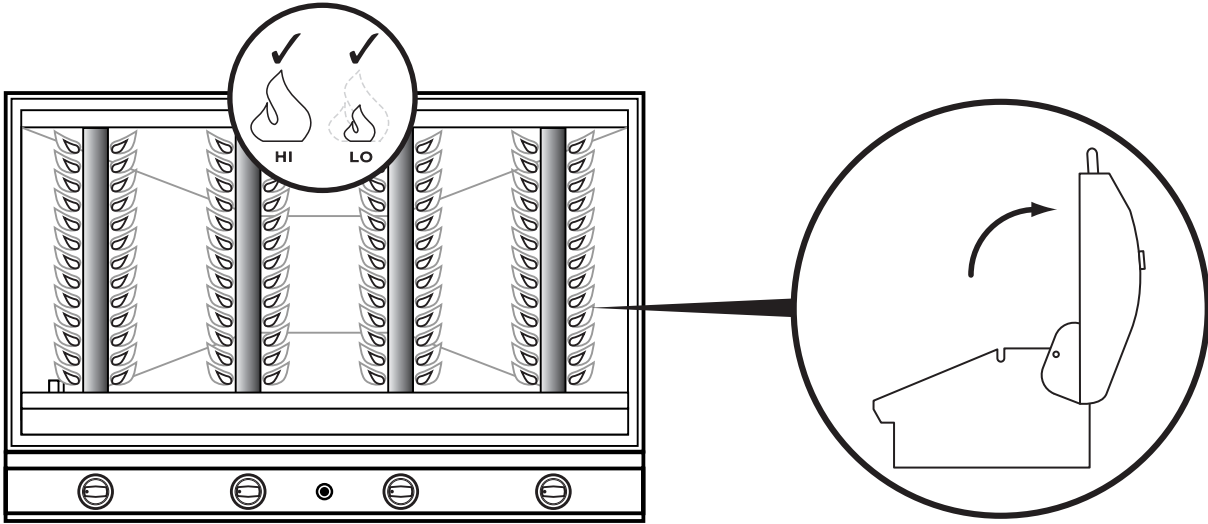
- **MINIMUM CLEARANCES FROM COMBUSTIBLE MATERIALS MUST BE:**
REAR - 450 mm
SIDES - 250 mm
TOP - 1000 mm



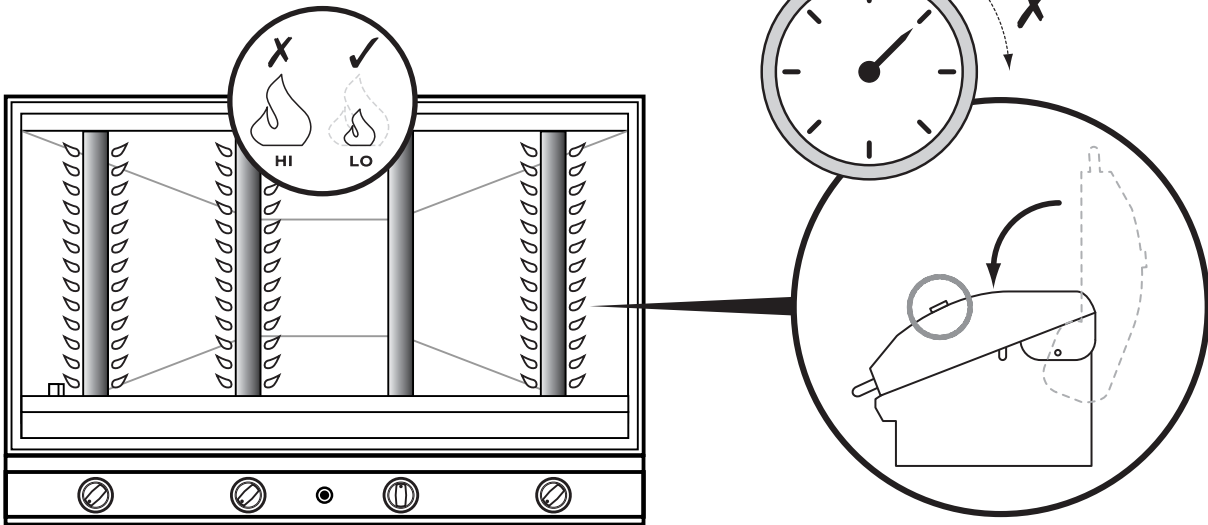
DIMENSIONS



COOKING WITH HOOD OPEN



COOKING WITH HOOD DOWN



Grand Hall Europe
PO Box 431
7570 AK Oldenzaal
The Netherlands

www.grandhall.eu

(IE) (GB) NOTE: This information is a guide only. Items included in your BBQ specification may differ depending on region or specific dealer specification.

(CH) (FR) NOTE: Ces renseignements sont donnés à titre indicatif. Il est possible que les articles inclus dans les spécifications de votre barbecue diffèrent selon la région ou les caractéristiques stipulées par le concessionnaire.

(AT) (CH) (DE) ANMERKUNG: Diese Anleitung dient nur zu Informationszwecken. Einzelteile der Grillspezifikation sind unter Umständen verschieden entsprechend der Vertriebsregion oder bestimmten Händleranforderungen.

(CH) (IT) AVVERTENZA: Queste informazioni hanno il valore di guida soltanto. Gli articoli compresi nelle caratteristiche tecniche del barbecue potrebbero variare a seconda della regione o del concessionario.

(LU) (BE) (NL) ATTENTIE: Deze informatie is alleen bedoeld als gids. Onderdelen in uw BBQ specificatie en pakket kunnen per regio of per dealer verschillen.

(SE) ANM.: Denna information är endast avsedd som handledning. Specifikationerna för grillen kan variera regionalt eller beroende på de krav som olika återförsäljare har.

(FI) HUOMATKAA: Nämä tiedot ovat pelkästään suuntaa antavia. Ostamanne grillin yksityiskohdat voivat olla erilaiset paikkakunnan tai erityisten myyjäkohtaisten yksityiskohtien mukaan.

(ES) NOTA: Esta información es una guía únicamente. Es posible que las indicaciones incluidas en las especificaciones de su Asador sean diferentes según la región o las especificaciones específicas del representante.

(PT) NOTA: Esta informação é simplesmente um guia. Os itens incluídos na especificação do seu BBQ poderão diferir dependendo da especificação da região ou do vendedor específico.

(DK) NB: Denne information er kun vejledende. Specifikationer kan variere efter ønske fra forhandler, eller i henhold til nationale regler.

(NO) NB: Denne informasjon er kun veiledende. Spesifikasjoner kan variere som stipulert av forhandler, eller i henhold til nasjonale krav.

All specifications are subject to change without notice.

Toutes les caractéristiques sont susceptibles d'être modifiées sans préavis.

Änderungen ohne vorherige Bekanntgabe vorbehalten.

Tutti i dati tecnici possono cambiare senza preavviso.

Alle specificaties kunnen zonder voorafgaande kennisgeving worden gewijzigd.

Kaikki oikeudet teknisten tietojen muutoksiin pidätetään.

Kaikki yksityiskohdat voivat muuttua ilman, että niistä erikseen ilmoitetaan.

Todas las especificaciones están sujetas a cambios sin previo aviso.

Todas as especificações estão sujeitas a alteração sem aviso.

Alle specifikationer kan ændres foruden varsel.

Spesifikasjoner kan endres uten varsel.

Manufacturer:

Grand Hall Enterprises Co. Ltd.
9th Fl. No 298 Rueiguang Rd
Neihu, Taipei, Taiwan