



BODUM® item no. 10709-16



item no. 10709-03



item no. 10709-803



item no. 10709-294



item no. 10709-01

PRODUCT DESCRIPTION - THE STORY

What is it about the aroma of freshly toasted bread in the morning that makes us feel like we're going to have a perfect day? All of the orange juice and jam in the world can't duplicate that same effect without the scent of warm toast. It's quite amazing how toasted bread can lift our spirits! The BISTRO Toaster by BODUM® is designed to toast to perfection. The variable browning button lets you set the toaster to your preferred browning, delivering perfectly toasted bread every time. The BODUM® BISTRO Toaster includes a handy defrost feature and comes with a rack to keep bread, bagels, muffins and croissants warm. The toasting slots have adjustable widths allowing the BISTRO Toaster to keep the toast in place. The toaster also features a slide out crumb tray for easy cleanup and a cord retainer to adjust or store the cable away. Available in several different colors.

KEY FEATURES & BENEFITS - AN OVERVIEW

- Toast to perfection with the variable browning button
- Defrost function
- Built-in rack to keep bread, bagels, muffins and croissants warm
- Slide out crumb tray for easy cleaning
- Cord retainer to adjust cord length or to store cord away
- Retro design

AVAILABILITY

approx. June 2008 (stainless steel version)

approx. October 2008 (plastic version)

USAGE - INSTRUCTIONS ON HOW TO MAKE IT HAPPEN

How can I use it?

TIP: Before using for the first time, to eliminate the new smell, operate the toaster without bread inside for at

least 5 minutes. Ensure there is plenty of ventilation in the room.

1. Ensure control lever (D) is raised.
2. Plug into a suitable electrical outlet.
3. Insert two slices of bread into toasting slots (E).
4. Turn the variable browning setting knob (A) dial to required setting. (1=lightest, 5=darkest)
5. Press the control lever (D) down until it locks.
6. Once the chosen level of browning has been reached, the toast will automatically raise ready for removal from the slots.
7. If the first slices are not browned sufficiently, select a higher setting (A) the next time.
8. If you want to interrupt the toasting process, press the stop button (C) at any time

FOR BEST RESULTS use bread slices of even thickness, size and freshness.

Select a lower setting if: a) using stale bread (toasts more quickly than fresh bread)

b) using thin bread (toasts more quickly than thick bread)

USING THE DEFROST BUTTON

When defrosting frozen bread set the browning control to the required position and press down on the control lever (D) until it locks. Press the defrost button (B) within 2 seconds. The defrost light will remain on while the defrost function is in use, and toasting time will be automatically extended. Always keep an eye on the bread for any signs of burning.

USING THE CANCEL BUTTON

Press the stop button (C) at any time to stop the toasting process.

USING THE RACK

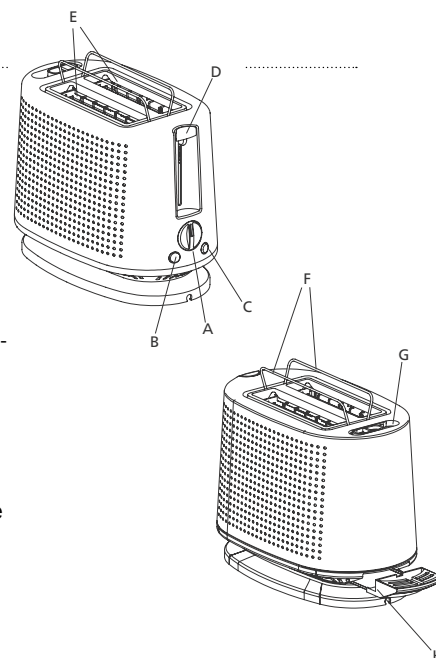
Slide the lift button (G) to lift the integrated warming rack (F). Place buns, croissants or other baked goods on the rack (F) to warm. Press down on the control lever (D) until it locks.

TIP: To keep items such as muffins, crumpets or bagels warm, slide the button to lift the rack and put the items on top.

TIP: To keep items such as muffins, crumpets bagels warm slide the button to lift the rack and put the items at the top.

USING THE CORD STORAGE

You can store excess power cord by winding the cord storage inside cord storage base.



RIGHT PRODUCT TREATMENT - CLEANING & CARE

How do I clean/treat the product right?

Unplug from outlet when not in use and before cleaning. Never immerse the item in water: Only clean the appliance using a damp cloth. Remember this is an electrical appliance.

Always remove plug from the power outlet, before cleaning. To clean the inside, turn toaster upside down over the sink and gently shake. The crumb tray (H) should be emptied regularly as a build-up of crumbs could be a potential fire hazard. After toasting, allow the toaster to cool down thoroughly, and then slide out the crumb tray (H) and empty. Use a soft dampened cloth to wipe the outside of the toaster and dry with a soft, dry cloth. Never use chemicals, steel wool or abrasive agents to clean the exterior of the toaster. Do not use any sharp or pointed objects for cleaning the inside as this will damage the heating element. Never put metal objects or your fingers into the toasting slots.

MATERIAL FEATURES

Housing: stainless steel / plastic

Stand: plastic

Inner housing: plastic

Rack: stainless steel

How does the material comply with food?

All materials used are odor and taste free and do not absorb the taste of food

Is this product a «refresh» of an existing product or «brand new»?

This is a new BODUM® product with a brand new design.

How/when can the product be affected, brake, deteriorate?

COLORS - FINISH, PATTERN, GLAZE

Available in different colors

COUNTRY OF ORIGIN

China

SPARE PARTS

-

DIMENSIONS

Length

Toaster BISTRO 280 mm 11 inch

Height

Toaster BISTRO 215 mm 8.5 inch

Toaster BISTRO incl. rack 245 mm 9.7 inch

Width

Toaster BISTRO 170 mm 6.7 inch

Weight

Toaster BISTRO 1800 gr 4 lb

Giftbox

Toaster BISTRO (L x W x H) 255 x 225 x 52 (cm) 100.4 x 88.6 x 20.5 (inch)

TECHNICAL DATA

Nominal voltage EURO _____ 220-240 V ~50/60Hz

Nominal voltage USA _____ 120V/60Hz

Nominal power EURO _____ 900-980 Watt

Nominal power USA _____ 900 Watt

Cord length _____ approx. 100 cm /39.4 inch

Slot size (L/ W) _____ 140mm/ 32mm

SAFETY ISSUES & CAUTIONARY INFORMATION

Please refer to the instructions for use for more thorough information!

- Never use the toaster without bread inserted (except for the first 5 operating minutes)
- Do not use very thin or broken slices of bread.
- Do not insert other foods that may drip during the toasting process. As well as making the cleaning procedure more difficult, this may be a potential fire hazard
- Do not insert (by force) foods that are too big for the slots.
- Do not insert forks or other utensils into the toaster in order to remove bread, as it may damage the resistance coils of the appliance. Remove the plug from the socket and turn the appliance over, gently shaking it to remove the lodged items.

SELLING POINTS

Why should the customer buy the BODUM® product?

- Toast to perfection with the variable browning button
- Defrost function
- Built-in rack to keep bread, bagels, muffins and croissants warm
- Slide out crumb tray for easy cleaning
- Cord retainer to adjust cord length or to store cord away
- Retro design

CONSUMER INFORMATION - MANUFACTURING, MATERIALS & CAUTIONARY INFO

How is the product manufactured?

-
-
-

More information on the materials

-
-
-

How durable is the product?

-
-

SHORT TEXT / PRESS TEXT 600 - 700 CHARACTERS

It's quite amazing how toasted bread can lift our spirits! The BISTRO Toaster by BODUM® is designed to toast to perfection. The variable browning button lets you set the toaster to your preferred browning, delivering perfectly toasted bread every time. The BODUM® Bistro Toaster includes a handy defrost feature and comes with a rack to keep bread, bagels, muffins and croissants warm. The toasting slots have adjustable widths allowing the BISTRO Toaster to keep the toast in place. The toaster also features a slide out crumb tray for easy cleanup and a cord retainer to adjust or store the cable away. Available in several different colors.