

PRODUCT DATA SHEET

Tolomeo parete - Halo Aluminium

MYWHITELIGHT®



DESIGN BY :

Michele De Lucchi , Giancarlo Fassina
1987

MATERIALS :

Anodized aluminium, polished aluminium

DESCRIPTION :

Cantilevered arms in polished aluminium; diffuser in matt anodised aluminium; joints and wall support in polished aluminium. System of spring balancing.

Light emission



Direct Adjustable

IP 20     

TECHNICAL DATA SHEET

FEATURES

Product name:	Tolomeo parete - Halo Aluminium
Article Code:	A001000 + A025150
Colour:	Aluminium
Material:	Anodized aluminium, polished aluminium
Support:	Wall
Support colour:	Polished aluminium
Series:	Design, My White Light
Environment:	Indoor

OPTICS

Emission:	Direct Adjustable
-----------	-------------------

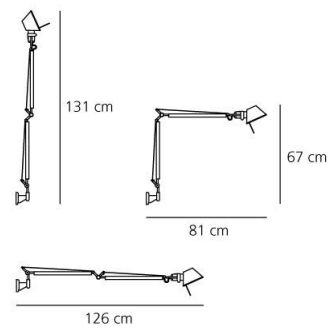
DIMENSIONS

Length:	(cm) 81
Height:	(cm) 67
Max Extension Height:	(cm) 131
Max Extension Length:	(cm) 126
Cutout shape:	

LAMPS INCLUDED

Category:	HALO
Number:	1
Lbs:	Qa60
Watt:	70
Socket:	E27
Type:	Hsgsa/c/ub
Colour Rendering:	1a
Colour temperature (K):	2900
Duration (h):	2000

DIMENSIONS



LAMP

IP 20     

ELECTRICAL

Voltage:	220V-240V
----------	-----------