

PRODUCT DATA SHEET

Tolomeo mini tavolo - Led Aluminum



DESIGN BY :

Michele De Lucchi , Giancarlo Fassina
2010

MATERIALS :

Polished aluminium, matt anodised aluminium

DESCRIPTION :

Using Led technology, the attention must be focused not only on energy consumption and light efficiency, but above all on the quality and quantity of the distribution of the light. In fact the advantage of the Led is that it emits 100% light flow into the direct hemisphere, eliminating dispersion and waste in other directions. This means that in order to obtain illuminance of 1250 lux on the work surface, with an incandescent light source a power of 100W is necessary, while with a Led source 10W is sufficient, with a 90% energy saving. Base and cantilevered arms in polished aluminium; diffuser in matt anodised aluminium; joints and supports in polished aluminium. System of spring balancing. 5 direct Led.

Interchangeable support: table base, clamp, desk fixed support and twin support that allows two independent lamp units to be fitted.

Light emission



Direct Adjustable

IP 20
Dimmer

TECHNICAL DATA SHEET

FEATURES

Product name:	Tolomeo mini tavolo - Led Aluminum
Article Code:	A008600 + A005600
Colour:	Aluminium
Material:	Polished aluminium, matt anodised aluminium
Support:	Base
Support colour:	Aluminium
Series:	Design
Environment:	Indoor
Area contract:	Hospitality Hotel, Office, Private Residence

OPTICS

Emission:	Direct Adjustable
-----------	-------------------

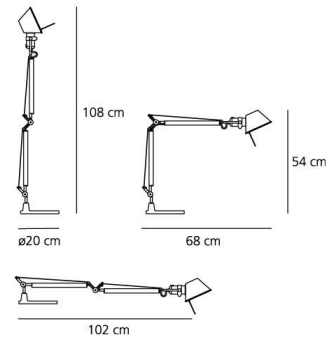
DIMENSIONS

Length:	(cm) 68
Height:	(cm) 54
Base Diameter:	(cm) 20
Max Extension Height:	(cm) 108
Max Extension Length:	(cm) 102
Cutout shape:	

LAMPS INCLUDED

Category:	LED
Watt:	10
Typology:	1
Color Rendering:	N/s

DIMENSIONS



LAMP

IP 20

Dimmer

ELECTRICAL

Voltage: 12V

ACCESSORIES



TOLOMEO SUPP.TAVOLO
FISSO A004200

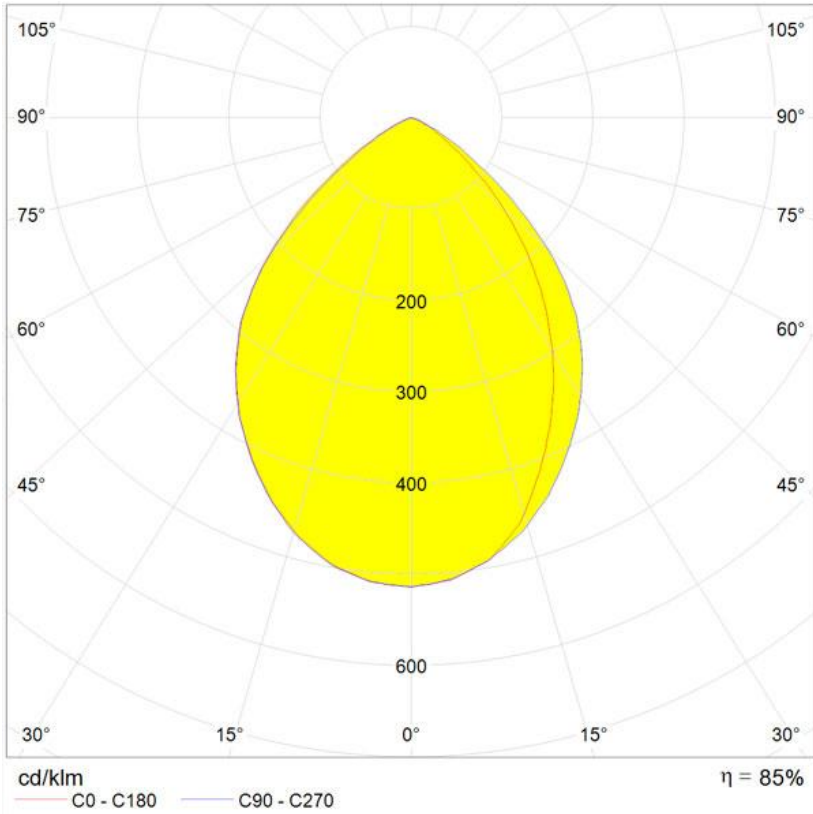


TOLOMEO MORSETTO
A004100



TOLOMEO SUPPORTO
TAVOLO TWIN A004300

Polar curve



Cartesian diagram

