

PRODUCT DATA SHEET

Tolomeo mini tavolo - Halo Black



DESIGN BY :

Michele De Lucchi , Giancarlo Fassina
1987

MATERIALS :

Polished aluminium, matt anodised aluminium

DESCRIPTION :

Base and cantilevered arms in polished aluminium; diffuser in matt anodised black aluminium; joints and supports in polished aluminium. System of spring balancing.

Interchangeable support: table base, clamp, desk fixed support and twin support that allows two independent lamp units to be fitted.

Light emission



Direct Adjustable

IP 20     

TECHNICAL DATA SHEET

FEATURES

Product name:	Tolomeo mini tavolo - Halo Black
Article Code:	A005940 + A008610
Colour:	Black
Material:	Polished aluminium, matt anodised aluminium
Support:	Base
Support colour:	Black
Series:	Design
Environment:	Indoor
Area contract:	Hospitality Hotel, Office, Private Residence

OPTICS

Emission:	Direct Adjustable
-----------	-------------------

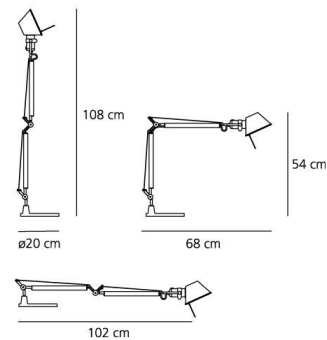
DIMENSIONS

Length:	(cm) 54
Height:	(cm) 54
Base Diameter:	(cm) 20
Max Extension Height:	(cm) 108
Max Extension Length:	(cm) 102
Cutout shape:	

LAMPS INCLUDED

Category:	HALO
Number:	1
Lbs:	Qa60
Watt:	70
Socket:	E27
Type:	Hsgsa/c/ub
Colour Rendering:	1a
Colour temperature (K):	2900
Duration (h):	2000

DIMENSIONS



LAMP

IP 20     

ELECTRICAL

Voltage:	220V-240V
----------	-----------

ACCESSORIES



TOLOMEO SUPP.TAVOLO
FISSO A004200



TOLOMEO MORSETTO
A004100



TOLOMEO SUPPORTO
TAVOLO TWIN A004300