

PRODUCT DATA SHEET

Tolomeo basculante tavolo - Parchment 180

**DESIGN BY :**

Michele De Lucchi , Giancarlo Fassina
2004

MATERIALS :

Aluminium, parchment paper and plastic

DESCRIPTION :

Base and cantilevered arms in polished aluminium; diffuser in parchment paper or in silk satin fabric on a plastic frame; joints in polished aluminium. System of spring balancing.

Interchangeable support: table base, clamp, desk fixed support and twin support that allows two independent lamp units to be fitted. The diffuser normally used, remains vertical regardless of the angle of the arm.

Light emission

IP 20    

TECHNICAL DATA SHEET

FEATURES

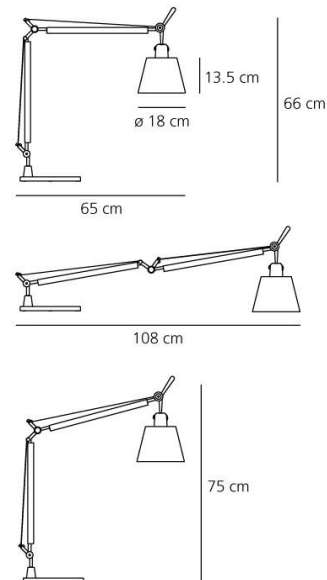
Product name:	Tolomeo basculante tavolo - Parchment 180
Article Code:	0947010A + A004030
Colour:	Natural
Material:	Aluminium, parchment paper and plastic
Support:	Base
Support colour:	Aluminium
Series:	Design
Environment:	Indoor
Area contract:	Private Residence

DIMENSIONS

Height:	(cm) 66
Cutout width:	(cm) 18
Base Diameter:	(cm) 23
Max Extension Height:	(cm) 75
Max Extension Length:	(cm) 108
Cutout shape:	

LAMPS NOT INCLUDED

Category:	HALO
Number:	1
Lbs:	Qa60
Watt:	70
Socket:	E27
Type:	Hsgsa/c/ub
Colour Rendering:	1a
Colour temperature (K):	2900
Duration (h):	2000

DIMENSIONS**LAMP**

IP 20    

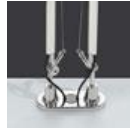
ACCESSORIES



TOLOMEO SUPP.TAVOLO
FISSO A004200



TOLOMEO MORSETTO
A004100



TOLOMEO SUPPORTO
TAVOLO TWIN A004300