

PRODUCT DATA SHEET

Onfale tavolo piccolo

**DESIGN BY :**

Luciano Vistosi
1978

MATERIALS :

Opaline blown glass, transparent crystal

DESCRIPTION :

Body and diffuser in opaline blown glass. Transparent crystal edge added.

Light emission

Diffused



TECHNICAL DATA SHEET

FEATURES

Product name:	Onfale tavolo piccolo
Article Code:	A006400
Colour:	White
Material:	Opaline blown glass, transparent crystal
Series:	Design
Environment:	Indoor
Area contract:	

OPTICS

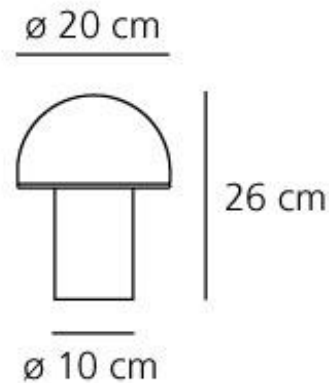
Emission:	Diffused
-----------	----------

DIMENSIONS

Height:	(cm) 26
Cutout width:	(cm) 20
Base Diameter:	(cm) 10
Cutout shape:	

LAMPS NOT INCLUDED

Category:	HALO
Number:	1
Lbs:	Qt26
Watt:	42
Socket:	E14
Type:	N/s
Colour Rendering:	1a
Colour temperature (K):	N/s

DIMENSIONS**LAMP****ELECTRICAL**

Voltage:	220V-240V
----------	-----------