

PRODUCT DATA SHEET

Castore calice tavolo

**DESIGN BY :**

Michele De Lucchi , Huub Ubbens
2004

MATERIALS :

Thermoplastic resin

DESCRIPTION :

The diffuser design is enhanced by a removable-fitting and tapering luminous stem, that makes the transition from the strong diffuser light to the blind lamp structure area gentle. Base in zamac, stem in thermoplastic resin, blown glass diffuser. Diffused light emission.

Including lamp.

Light emission

Diffused



TECHNICAL DATA SHEET

FEATURES

Product name:	Castore calice tavolo
Article Code:	1168010A
Colour:	White
Material:	Thermoplastic resin
Series:	Design
Environment:	Indoor
Area contract:	Private Residence

OPTICS

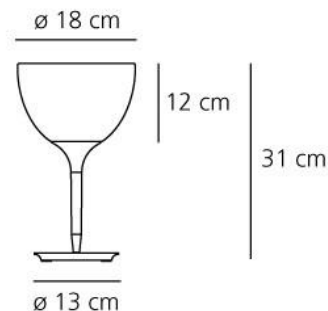
Emission:	Diffused
-----------	----------

DIMENSIONS

Height:	(cm) 31
Cutout width:	(cm) 18
Base Diameter:	(cm) 13
Cutout shape:	

LAMPS INCLUDED

Category:	HALO
Number:	1
Lbs:	Qt14
Watt:	60
Socket:	G9
Type:	Hsgst/c/ub
Colour Rendering:	1a
Colour temperature (K):	2800

DIMENSIONS**LAMP****ELECTRICAL**

Voltage:	220V-240V
----------	-----------