

PRODUCT DATA SHEET

Castore terra 35

**DESIGN BY :**

Michele De Lucchi , Huub Ubbens
2003

MATERIALS :

Zamak, thermoplastic resin, blown glass

DESCRIPTION :

The spherical diffuser design is enhanced by a removable-fitting and tapering luminous stem, making a gentle transition from the strong diffuser light to the blind lamp structure area. Base in zamak; stem in thermoplastic resin; blown glass diffuser.

A touch dimmer button on the stem for the storage of the last light intensity set-up or the use of a local or remote control. Available in two sizes.

Light emission

Dimmer

TECHNICAL DATA SHEET

FEATURES

Product name:	Castore terra 35
Article Code:	1055010A
Colour:	White
Material:	Zamak, thermoplastic resin, blown glass
Series:	Design
Environment:	Indoor
Area contract:	Private Residence

OPTICS

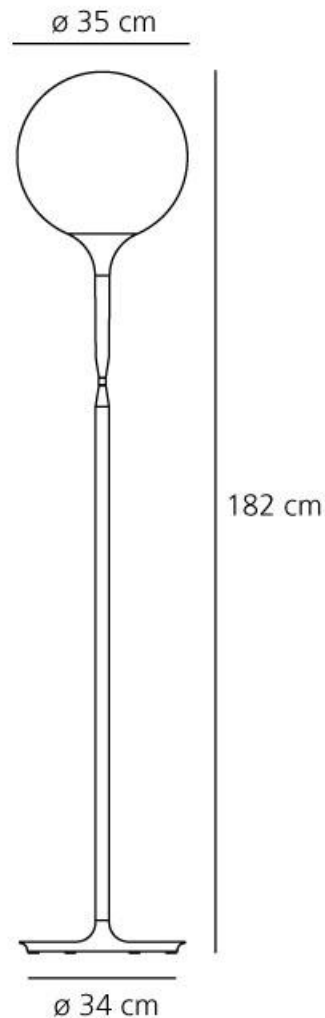
Emission:	Diffused
-----------	----------

DIMENSIONS

Height:	(cm) 182
Cutout width:	(cm) 35
Base Diameter:	(cm) 34
Cutout shape:	

LAMPS NOT INCLUDED

Category:	HALO
Number:	1
Lbs:	Qt32
Watt:	150
Socket:	E27
Type:	Hsgsbt/c
Colour Rendering:	1a
Colour temperature (K):	2900
Duration (h):	2000

DIMENSIONS

LAMP

20     

Dimmer

ELECTRICAL

Voltage: 220V-240V