

## PRODUCT DATA SHEET

### Itis White



#### DESIGN BY :

Naoto Fukasawa  
2006

#### MATERIALS :

Metal, polycarbonate, zamak

#### DESCRIPTION :

Painted zamak base; painted metal stem; painted metal and polycarbonate head; satin transparent polycarbonate diffuser. Two articulations connect the stem to the base and the head which allow the stem to be tilted from 0° to 90° and the head to be rotated 180°.

#### Light emission



Diffused And Direct

IP 20      
Dimmer

### TECHNICAL DATA SHEET

#### FEATURES

|                |                                      |
|----------------|--------------------------------------|
| Product name:  | Itis White                           |
| Article Code:  | 1438060A                             |
| Colour:        | White                                |
| Material:      | Metal, polycarbonate, zamak          |
| Series:        | Design                               |
| Environment:   | Indoor                               |
| Area contract: | Hospitality Hotel, Private Residence |

#### OPTICS

Emission: Diffused And Direct

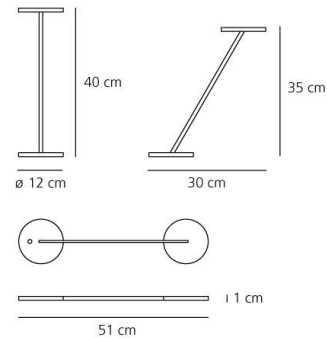
#### DIMENSIONS

|               |         |
|---------------|---------|
| Length:       | (cm) 51 |
| Width:        | (cm) 30 |
| Height:       | (cm) 40 |
| Cutout width: | (cm) 12 |
| Inclination:  | 90      |
| Rotation:     | 180     |
| Cutout shape: |         |

#### LAMPS INCLUDED

|                  |     |
|------------------|-----|
| Category:        | LED |
| Watt:            | 5   |
| Typology:        | Led |
| Color Rendering: | N/s |

#### DIMENSIONS



#### LAMP

IP 20    

Dimmer

#### ELECTRICAL

Transformer availability: Remote  
Voltage: 12V