

PRODUCT DATA SHEET

Tolomeo lettura halo - Aluminium



DESIGN BY :

Michele De Lucchi , Giancarlo Fassina
1990

MATERIALS :

Anodized aluminium, polished aluminium

DESCRIPTION :

Base and cantilevered arms in polished aluminium; diffuser in opaque anodized aluminium adjustable in all directions; joint in polished aluminium. System of spring balancing.

Light emission



Direct Adjustable

IP 20

TECHNICAL DATA SHEET

FEATURES

Product name:	Tolomeo lettura halo - Aluminium
Article Code:	A013900 + A014900
Colour:	Aluminium
Material:	Anodized aluminium, polished aluminium
Support:	Base
Support colour:	Aluminium
Series:	Design
Environment:	Indoor
Area contract:	Hospitality Hotel, Private Residence

OPTICS

Emission:	Direct Adjustable
-----------	-------------------

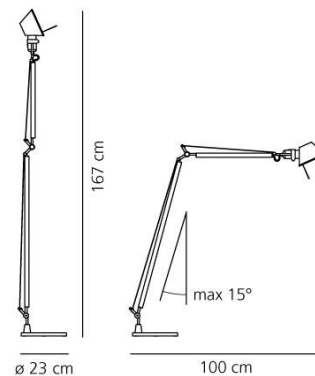
DIMENSIONS

Base Diameter:	(cm) $\bar{1}$ 23
Max Extension Height:	(cm) $\bar{1}$ 67
Max Extension Length:	(cm) $\bar{1}$ 00
Cutout shape:	

LAMPS NOT INCLUDED

Category:	HALO
Number:	1
Lbs:	Qa60
Watt:	70
Socket:	E27
Type:	Hsgsa/c/ub
Colour Rendering:	1a
Colour temperature (K):	2900
Duration (h):	2000

DIMENSIONS



LAMP

IP 20

ELECTRICAL

Voltage:	220V-240V
----------	-----------